

# 1550

## Rider Scrubber Manual



(Parts Manual)

**North America / International**

[www.tennantco.com](http://www.tennantco.com)

**MM283**  
Rev. 19 (11-2007)





This manual is furnished with each new model. It provides necessary operation and maintenance instructions.

**Read this manual completely and understand the machine before operating or servicing it.**

This machine will provide excellent service. However, the best results will be obtained at minimum costs if:

- The machine is operated with reasonable care.
- The machine is maintained regularly - per the machine maintenance instructions provided.
- The machine is maintained with manufacturer supplied or equivalent parts.

	<b>PROTECT THE ENVIRONMENT</b> Please dispose of packaging materials, old machine components such as batteries, hazardous fluids such as antifreeze and oil, in an environmentally safe way according to local waste disposal regulations.
	Always remember to recycle.

<b>MACHINE DATA</b>	
Please fill out at time of installation for future reference.	
Model No. -	_____
Serial No. -	_____
Machine Options -	_____
Sales Rep. -	_____
Sales Rep. phone no. -	_____
Customer Number -	_____
Installation Date -	_____

**Tennant Company**  
PO Box 1452  
Minneapolis, MN 55440  
Phone: (800) 553-8033 or (763) 513-2850  
[www.tennantco.com](http://www.tennantco.com)



**CALIFORNIA PROPOSITION 65 WARNING:**

**Engine exhaust from this product contains chemicals known to the State of California to cause cancer, birth defects, or other reproductive harm.**

## HOW TO USE THIS MANUAL

This section on *HOW TO USE THIS MANUAL* will tell you how to:

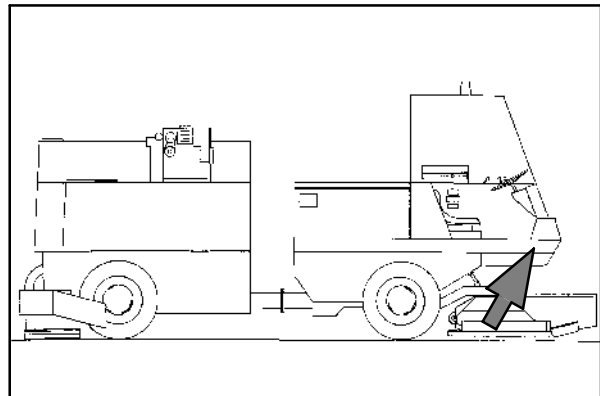
- Find important machine information for ordering correct repair parts.
- Find TENNANT part numbers.
- Order TENNANT parts and supplies.

### IMPORTANT INFORMATION

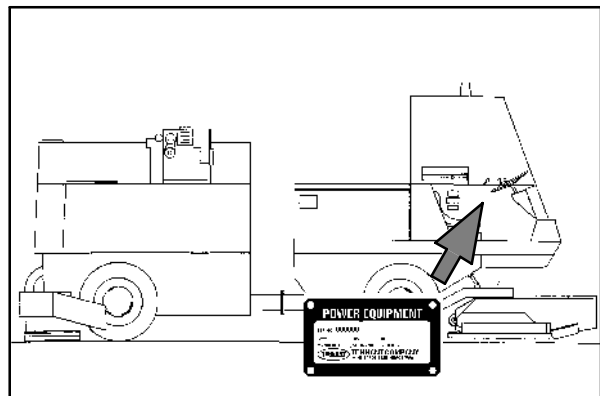
When placing an order for parts, the machine model and machine serial number are important. Refer to the *MACHINE DATA* box which is filled out during the installation of your machine. The *MACHINE DATA* box is located on the inside of the front cover of this manual.

MACHINE DATA	
<i>Please fill out at time of installation.</i>	
Machine Serial Number -	_____
Engine Serial Number -	_____
Sales Representative -	_____
Customer Number -	_____
Date of Installation -	_____
Manual Number -	MM283
Revision:	05
Published:	2-95

The model number of your machine is on the side of the machine.



The serial number of your machine is printed on the machine data plate located as shown.



# HOW TO USE THIS MANUAL

## FINDING A TENNANT PART NUMBER

This manual contains the following sections:

- HOW TO USE THIS MANUAL
- STANDARD PARTS
- OPTIONS
- BREAKDOWNS
- CONTINENTAL ENGINE BREAKDOWN, GASOLINE, LPG
- GM ENGINE BREAKDOWN, GASOLINE, LPG
- CONTINENTAL ENGINE BREAKDOWN, DIESEL
- PERKINS ENGINE BREAKDOWN, DIESEL
- CAT ENGINE BREAKDOWN, DIESEL
- CROSS REFERENCE

The STANDARD PARTS section lists repair parts for standard machines. They are grouped in this general order:

- General wear parts.
- Machine frame and related parts.
- Machine propelling system.
- Scrubbing components.
- Electrical parts.

The OPTION section lists repair parts of options.

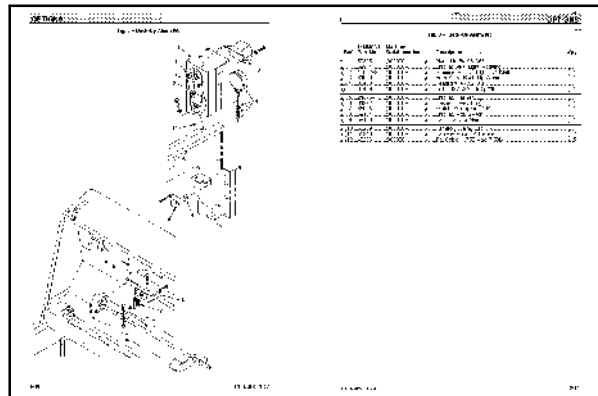
The BREAKDOWN section lists available repair parts of major components.

All sections in this manual consist of parts illustrations and corresponding parts lists.

The parts illustrations are numbered with **Ref** numbers which refer to corresponding parts lists.

The parts lists include a number of columns of information:

- **Ref** - column refers to the reference number on the parts illustration.
- ∇ - indicates the part is an assembly.
- ▲ - indicates the part is included in the assembly listed just before it.
- **Part No.** - column lists the TENNANT part number for the part.
- **Serial Number** - column indicates the set of machines the part number is applicable to. Serial numbers change when the machine design has been modified. The most current design of the machine is shown in the main illustration, older designs are boxed in a corner of the illustration.
- **Description** - column is a brief description of the part.
- **Qty.** - column lists the quantity of that part used in that area of the machine.

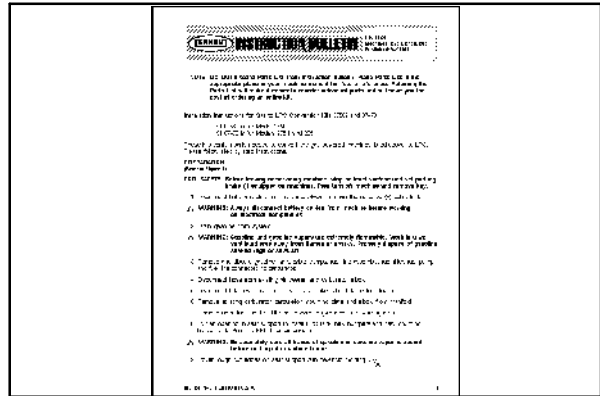


Ref.	TENNANT Part No.	Machine Serial number	Description	Qty.
∇	53335	QC0000-	Alarm Kit, Bu Alv 35L	1
▲ 1	53944	QC0000-	Bracket, Wrt. Light, Rotating	1
▲ 2	10632-9	QC0000-	Grommet, Rct, 0.561d, For .13Mat	1
▲ 3	61920	QC0000-	Horn Assy, Back-Up Alarm	1
▲ 4	36438	QC0000-	Headlight Assy, 21CG	1
▲ 4	36439	QC0000-	Fluor, 12V, 9A 1AC#11004	1
▲ 2	24675-	QC0000-	Bracket, Flasher	1
▲ 3	31922	QC0000-	Flasher, Heavy Duty	1
▲ 7	36945	QC0000-	Switch, Waterproof, 10A	1
▲ 8	59154	QC0000-	Bracket, Mfg. Switch	1
▲ 8	59153	QC0000-	Carr., Switch Alarm	1
▲ 10	60239	QC0000-	Harness, Alarm, Back-Up	1
▲ 11	53246	QC0000-	Cable, Mount, Adhesive	2
▲ 12	49236	QC0000-	Tie, Cable .750 Max x .50Lg	5



*NOTE: If a service kit is installed on your machine, be sure to keep the INSTRUCTION BULLETIN which came with the kit. It contains repair parts numbers needed for ordering future parts.*

*NOTE: Fasteners used in this machine may be metric or non-metric. Take care when replacing hardware to replace with same thread size.*



## PLACING AN ORDER

Orders may be placed by phone, fax, or by mail. Phone orders may need written confirmation. Follow the steps below to insure prompt delivery:

1. Identify the model number of your machine.
2. Identify the serial number of your machine.
3. Find the part number of the part you need. Do not order by page number or reference number. If you are not able to find the part number, call your TENNANT representative for help or send the old part as a sample.
4. Determine the quantity of the part you need.
5. Provide the following company information:
  - Company name
  - Customer ID Number
  - Shipping address
  - Billing address
  - First and last name of person ordering parts
  - Telephone number
  - Purchase order number
6. Provide definitive shipping instructions.

## HOW TO USE THIS MANUAL

---

Any claim for loss or damage to a shipment in transit should be filed promptly with the transportation company making the delivery. Shipments will be complete unless the packing list or order acknowledgement indicates items back ordered.

If parts received are suspected to be incorrect or defective, please contact the TENNANT representative from whom you ordered the part. They will give authorization for return and/or handle replacement shipments when required.

# SECTION 6

Contents	Page	Contents	Page
Fig. 1 - Recommended General Maintenance Items	6-3	Fig. 36 - Engine Muffler Group (001000-001423)	6-60
Fig. 2 - Replacement Brushes	6-5	Fig. 37 - Engine Muffler Group, Gas/LPG (001424-001505)	6-62
Fig. 3 - Main Frame Group (001000-001505)	6-6	Fig. 38 - Engine Muffler Group, Gas/LPG (001508-001537)	6-64
Fig. 4 - Main Frame Group (001508- )	6-8	Fig. 39 - Engine Muffler Group, Gas/LPG (001538- )	6-66
Fig. 5 - Main Frame Cover and Door Group (001508- )	6-10	Fig. 40 - Engine Oil Filter and Drain Group, Gas/LPG (001424- )	6-68
Fig. 6 - Main Frame Noise Insulation Group (001000-001505)	6-12	Fig. 41 - Engine Radiator and Hydraulic Cooler Group (001000-001423)	6-69
Fig. 7 - Seat Group	6-13	Fig. 42 - Engine Radiator and Hydraulic Cooler Group, Gas/LPG (001424-001505)	6-70
Fig. 8 - Scrub Head Lift Group	6-14	Fig. 43 - Engine Radiator and Hydraulic Cooler Group, Gas/LPG (001508- )	6-72
Fig. 9 - Scrub Head Hopper Group	6-16	Fig. 44 - Engine Fan and Pulley Group, Gas/LPG (001424-001505)	6-74
Fig. 10 - Scrub Head Rear Squeegee Group	6-17	Fig. 45 - Engine Air Cleaner Group, Gas (001000-001402)	6-76
Fig. 11 - Scrub Head Right Side Squeegee Assembly	6-18	Fig. 46 - Engine Air Cleaner Group, Gas (001403-001423)	6-77
Fig. 12 - Scrub Head Left Side Squeegee Assembly	6-20	Fig. 47 - Engine Air Cleaner Group, Gas/LPG (001424-001505)	6-78
Fig. 13 - Scrub Head Solution Control Group	6-22	Fig. 48 - Engine Air Cleaner Group, Gas (001508- )	6-80
Fig. 14 - Scrub Head Front Brush Drive Components Group	6-24	Fig. 49 - Engine Fuel Tank Group, Gas (001000-001423)	6-82
Fig. 15 - Scrub Head Front Brush Idler Assembly	6-26	Fig. 50 - Engine Fuel Tank Group, Gas (001424-001505)	6-84
Fig. 16 - Scrub Head Rear Brush Idler Assembly	6-27	Fig. 51 - Engine Fuel Tank Group, Gas (001508-001537)	6-86
Fig. 17 - Scrub Head Rear Brush Drive Components Group	6-28	Fig. 52 - Engine Fuel Tank Group, Gas (001538- )	6-88
Fig. 18 - Steering Column Group, Gas/LPG (001000-001505)	6-30	Fig. 53 - Engine Battery Group, Gas/LPG	6-90
Fig. 19 - Steering Column Group, Gas/LPG (001508- )	6-31	Fig. 54 - Electrical Schematic, Gas/LPG (001000-001423)	6-91
Fig. 20 - Front and Rear Wheel Assembly	6-32	Fig. 55 - Electrical Schematic, Options (001000-001505)	6-92
Fig. 21 - Rear Axle Group	6-33	Fig. 56 - Electrical Schematic, Specials (001000-001505)	6-93
Fig. 22 - Front Wheel Drive Group	6-34	Fig. 57 - Electrical Schematic, Gas/LPG (001424-001505)	6-94
Fig. 23 - Hydraulic Directional Pedal Group (001000-001103)	6-36	Fig. 58 - Electrical Schematic, Gas/LPG (001508-001537)	6-98
Fig. 24 - Hydraulic Directional Pedal Group, Gas/LPG (001104- )	6-38	Fig. 59 - Electrical Schematic (001538- )	6-103
Fig. 25 - Front Wheel Parking Brake Group	6-40	Fig. 60 - Electrical Wiring Diagram, Instrument Panel (001508- )	6-109
Fig. 26 - Brakes Group	6-41	Fig. 61 - Electrical Wire Harnesses Group (001000-001505)	6-112
Fig. 27 - Engine Group, Gas (001000-001423)	6-42	Fig. 62 - Electrical Wire Harnesses Group, Gas/LPG (001508- )	6-116
Fig. 28 - Engine Group, Gas/LPG (001424-001505)	6-44	Fig. 63 - Instrument Panel Group, Gas/LPG (001000-001505)	6-122
Fig. 29 - Engine Group, Gas/LPG (001508- )	6-46		
Fig. 30 - Engine Alternator Group, Gas/LPG (001424-001505)	6-48		
Fig. 31 - Engine Alternator Group, Gas/LPG (001508-001537)	6-50		
Fig. 32 - Engine Alternator Group, Gas/LPG (001538- )	6-52		
Fig. 33 - Engine EFI Group, Gas (001424-001505)	6-54		
Fig. 34 - Engine EFI Group, Gas (001508-001537)	6-56		
Fig. 35 - Engine EFI Group, Gas (001538- )	6-58		

# STANDARD PARTS

Contents	Page
Fig. 64 - Instrument Panel Group, Gas (001508- )	6-124
Fig. 65 - SRS Control Panel Assembly	6-126
Fig. 66 - Hydraulic Schematic (001000-001103)	6-127
Fig. 67 - Hydraulic Schematic (001104-001505)	6-128
Fig. 68 - Hydraulic Schematic, Gas/LPG (001508- )	6-130
Fig. 69 - Hydraulic Hoses Group (001000-001103)	6-132
Fig. 70 - Hydraulic Hoses Group (001104-001505)	6-134
Fig. 71 - Hydraulic Hoses Group, Gas/LPG (001508- )	6-136
Fig. 72 - Hydraulic Propelling Motors Group	6-138
Fig. 73 - Hydraulic Reservoir Group (001000-001505)	6-139
Fig. 74 - Hydraulic Reservoir Group Gas/LPG (001508- )	6-140
Fig. 75 - Hydraulic Control Valves Group (001000-001505)	6-141
Fig. 76 - Hydraulic Control Valves Group, Gas/LPG (001508- )	6-142
Fig. 77 - Hydraulic Pumps Group (001000-001103)	6-144
Fig. 78 - Hydraulic Pumps Group (001104-001505)	6-145
Fig. 79 - Hydraulic Pumps Group, Gas/LPG (001508- )	6-146
Fig. 80 - Hydraulic Filters Group (001000-001103)	6-147
Fig. 81 - Hydraulic Filter Group (001104-001505)	6-148
Fig. 82 - Hydraulic Filter Group, Gas/LPG (001508- )	6-149
Fig. 83 - Hydraulic Solenoid Valve and Manifold Group, Gas/LPG (001508- )	6-150
Fig. 84 - Hydraulic Tow Bypass Group (001061-001103)	6-152
Fig. 85 - Rear Bumper Group	6-153
Fig. 86 - Vacuum Fan Assembly, Gas/LPG (001000-001505)	6-154
Fig. 87 - Vacuum Fan Group, Gas/LPG (001508- )	6-156
Fig. 88 - Trunnion Group	6-158
Fig. 89 - Solution Pumps Group	6-160
Fig. 90 - Solution and Recovery Tank Group, Front Side	6-162
Fig. 91 - Solution and Recovery Tank Group, Rear Side	6-164
Fig. 92 - Rear Squeegee Assembly	6-166
Fig. 93 - Label Group	6-168

Fig. 1 - Recommended General Maintenance Items

Ref.	Part No.	Serial Number	Description	Qty.
▽	02462	(001000-001103 )	Performance Package, 400 Hour, Diesel	1
▲	39703-2	(001000-001103 )	Element, Oil Filter	8
▲	01433-1	(001000-001103 )	Grease, Special	1
▲	76335	(001000-001103 )	Element Assembly, Air Cleaner	1
▲	52770-9	(001000-001103 )	Element, Fuel Filter	1
▲	55740	(001000-001103 )	Element, Hydraulic Filter	2
▲	65869-5	(001000-001103 )	Hydraulic Fluid, 5 Gal (18.9 L)	3
▽	79112	(001104-001423 )	Performance Package, 400 Hour, Diesel, Servo	1
▲	39703-2	(001104-001423 )	Element, Oil Filter	8
▲	01433-1	(001104-001423 )	Grease, Special	1
▲	76335	(001104-001423 )	Element Assembly, Air Cleaner	1
▲	52770-9	(001104-001423 )	Element, Fuel Filter	1
▲	65221	(001104-001423 )	Element, Hydraulic Filter	2
▲	65869-5	(001104-001423 )	Hydraulic Fluid, 5 Gal (18.9 L)	3
▽	61478	(001000-001103 )	Performance Package, TM27, 400 Hour, Gas and LPG	1
▲	16853	(001000-001103 )	Filter, Oil	8
▲	01433-1	(001000-001103 )	Grease, Special	1
▲	34726	(001000-001103 )	Spark Plug	8
▲	09837	(001000-001103 )	Rotor	2
▲	58120	(001000-001103 )	Element, Air Cleaner	1
▲	55740	(001000-001103 )	Element, Hydraulic Filter	2
▲	65869-5	(001000-001103 )	Hydraulic Fluid, 5 Gal (18.9 L)	3
▽	79111	(001104-001423 )	Performance Package, TM27, 400 Hour, Gas and LPG, Servo	1
▲	16853	(001104-001423 )	Filter, Oil	8
▲	01433-1	(001104-001423 )	Grease, Special	1
▲	34726	(001104-001423 )	Spark Plug	8
▲	09837	(001104-001423 )	Rotor	2
▲	58120	(001104-001423 )	Element, Air Cleaner	1
▲	65221	(001104-001423 )	Element, Hydraulic Filter	2
▲	65869-5	(001104-001423 )	Hydraulic Fluid, 5 Gal (18.9 L)	3
▽	02460	(001000- )	Squeegee Blades Kit, Side	1
▲	60015	(001000- )	Blade, Squeegee	4
▲	59617	(001000- )	Flap, Containment	2
▲	75711	(001000- )	Brush	2
▲	75799	(001000- )	Skirt	2
▽	02457	(001000- )	Squeegee Blades Kit, Rear	1
▲	60016	(001000- )	Blade, Rear	1
▲	76937	(001000- )	Strip, Rear Backup	2
▲	60018	(001000- )	Blade, Front	1
▽	02456	(001000- )	Hose Kit, Vacuum, SRS	1
▲	40870-7	(001000- )	Hose Assembly	1
▲	23498	(001000- )	Clamp, Worm Drive	4
▲	76828	(001000- )	Hose Assembly	1
▲	75635	(001000- )	Hose Assy, W/1cuff, 1.5d 120l 1.5/	1
▲	11531	(001000- )	Clamp, Worm Drive	1
▲	50845	(001000- )	Hose, Hopper	1
▲	22297	(001000- )	Clamp, Worm Drive	2
▲	40870-1	(001000- )	Hose Assembly	1
▲	25649	(001000- )	Hose, Squeegee	1
▲	43555	(001000- )	Clamp, Worm Drive	2

# STANDARD PARTS

Fig. 1 - Recommended General Maintenance Items

Ref.	Part No.	Serial Number	Description	Qty.
	01433-1	(001424-	) Grease, Special	1
	393934	(001424-	) Spark Plug	4
	369746	(001403-	) Element, Fltr, Air (Gas)	1
	65221	(001104-001505	) Element, Hydraulic Filter (Gas)	1
	1015933	(001508-	) Element, Fltr, Oil, Spin-on [Dn] (Gas)	1
	36050	(001424-001441	) Filter, Fuel, In-line, (Gas)	1
	21298	(001442-001505	) Filter, Fuel, In-line, (Gas)	1
	372440	(001508-	) Filter, Fuel [Gm 1.6l/3.0l] (Gas)	1
	371671	(001424- xxxxxx	) Filter, Fuel, In-line, (Lpg)	1
	377337	( xxxxxx-001505	) Filter, Fuel, In-line, (Lpg)	1
	372615	(001508-	) Filter Kit, Fuelock, (Lpg)	1
	393982	(001424-	) Filter, Oil (Gas, Lpg)	1
	65221	(001104-	) Element, Hydraulic Filter (Diesel)	1
	36050	(001424-001505	) Filter, Fuel, In-line, (Diesel)	1
	1017126	(001508-	) Element, Fltr, Fuel (Diesel)	1
	371637	(001424-001505	) Filter, Oil, (Diesel)	1
	372654	(001508-	) Filter, Oil, Eng (Diesel)	1
	369746	(001424-001505	) Element, Fltr, Air (Diesel)	1
	372448	(001508-	) Element, Fltr, Air-Clnr (Diesel)	1
	65869-5	(001424-	) Hydraulic Fluid, 5 Gal (18.9 L)	1
▽	398344	(001000-	) Kit, Maint, 800hr [550 G/Lp/D]	1
▲	60015	(001000-	) Blade, Sqge, Linatex, Side	4
▲	59617	(001000-	) Flap, Containment	2
▲	75711	(001000-	) Brush Assy, Strip, 4.0l, Pyp	2
▲	75799	(001000-	) Strip, Backup	2
▲	60016	(001000-	) Blade, Sqge, Rear, Linatex	1
▲	76937	(001000-	) Strip, Backup	2
▲	60018	(001000-	) Blade, Sqge, Front, Linatex	1
▲	40870-7	(001000-	) Hose, Flex, Vacuum, 4.0d 54.0l	1
▲	23498	(001000-	) Clamp, Hose, Wormdrive, 3.56-4.50d	5
▲	76828	(001000-	) Hose Assy, Pvc, W/ Cuff, 2.0d, 48.0l	1
▲	75635	(001000-	) Hose Assy, W/1cuff, 1.5d 120l 1.5/	1
▲	11531	(001000-	) Clamp, Hose, Wormdrive, 1.06-2.00d	1
▲	50845	(001000-	) Hose, Rbr, 2.00id 2.40od 07.5l	1
▲	22297	(001000-	) Clamp, Hose, Wormdrive, 1.56-2.50d	2
▲	40870-1	(001000-	) Hose, Flex, Vacuum, 4.0d 41.1l	1
▲	25649	(001000-	) Hose, Flex, Vacuum, 3.0d 20.0l	1
▲	43555	(001000-	) Clamp, Hose, Wormdrive, 1.62-3.50d	2
▲	06332	(001000-	) Gasket, Door, Clean-Out	2
▲	76532	(001000-	) Gasket, Tube, Suc, Front	2
▲	78802	(001000-	) Gasket	4
▲	75076	(001000-	) Gasket, Tube, Suc, Rear	1
▲	50518	(001000-	) Bar, Flt, Rbr, 0.38 X 6.00 X 18.00l	1
▲	06229	(001000-	) Gasket, Door	1
▲	76395	(001000-	) Gasket, Cover, Sandblast	1
▲	79557	(001000-	) Gasket, Air Outlet	1
▲	06223	(001000-	) Gasket	1
▲	79545	(001000-	) Gasket	1

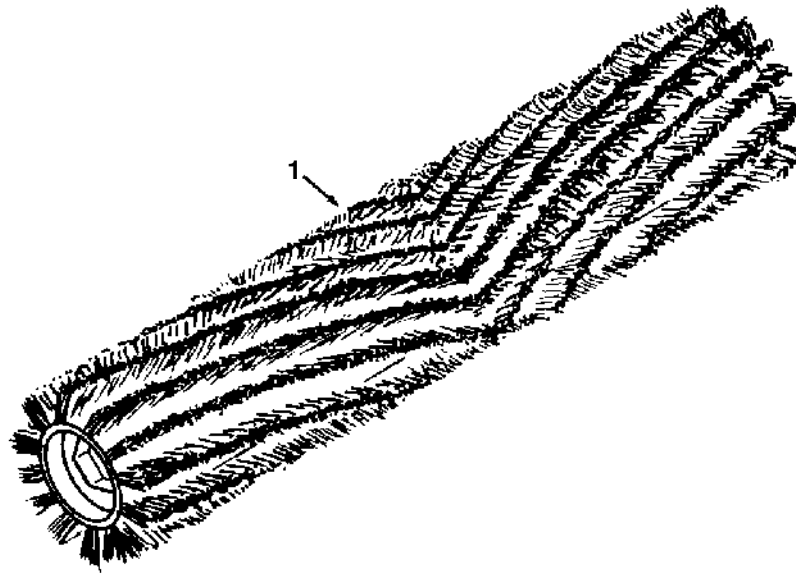
Fig. 1 - Recommended General Maintenance Items

Ref.	Part No.	Serial Number	Description	Qty.
	16411	(001000-	) Paint, Airdry, Off-White, 12oz	1
	16412	(001000-	) Paint, Airdry, Teal, 12oz, Solid	1
	377540	(001000-	) Paint, Airdry, Blk, 12oz	1
	377538	(001000-	) Paint, Airdry, Gray, 12oz [Enamel]	1
	377537	(001000-	) Paint, Airdry, Iron Gray,12oz[Pwdr Coat]	1





Fig. 2 - Replacement Brushes

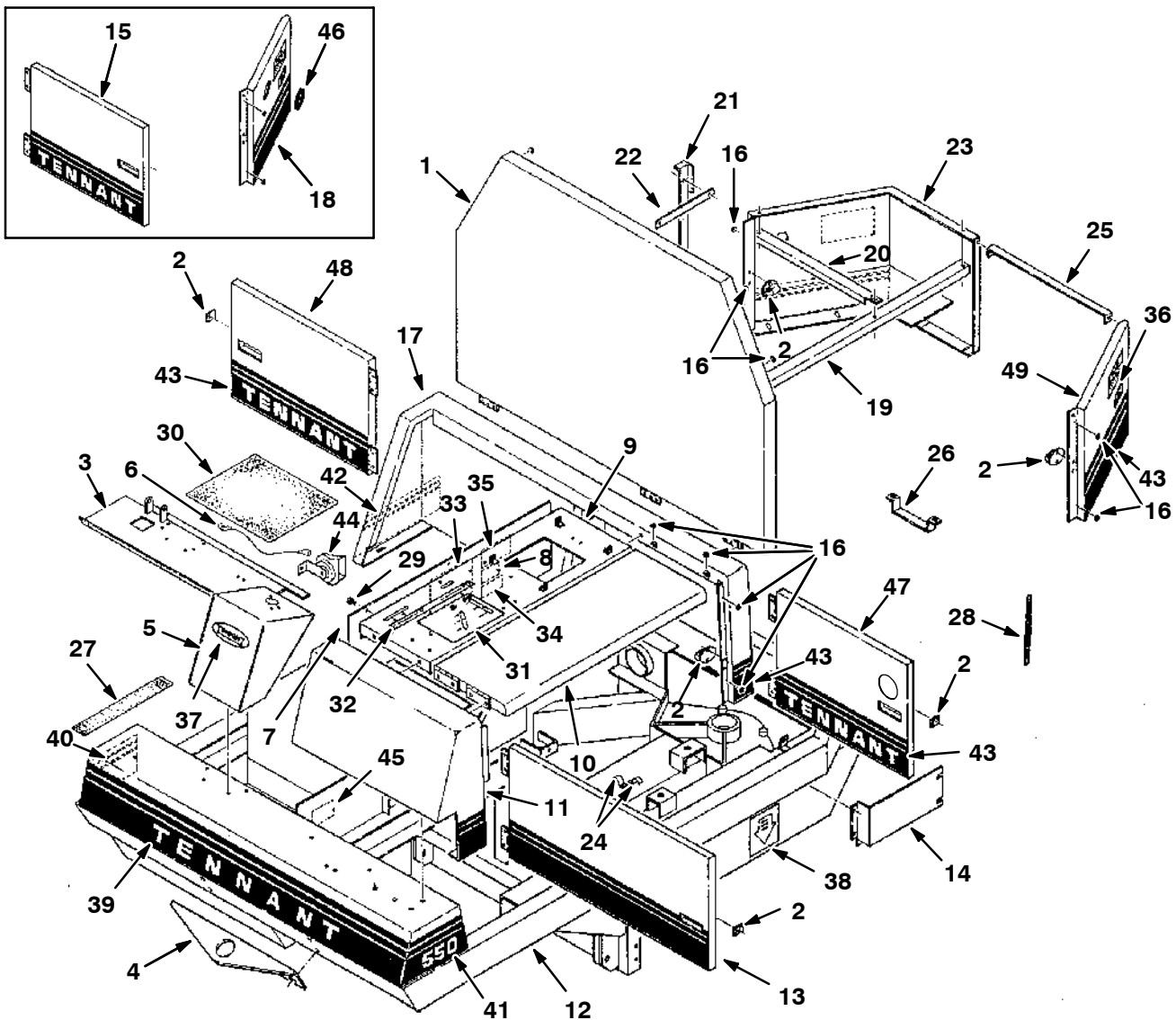


02575 - ALL

Ref.	Part No.	Serial Number	Description	Qty.
1	75718	(001000-	) Brush, Polypropylene	2
1	75722	(001000-	) Brush, Abrasive Bristle	2

# STANDARD PARTS

Fig. 3 - Main Frame Group (001000-001505)



09796 - 1550, NA, G, LP, D

Ref.	Part No.	Serial Number	Description	Qty.
1	76811	(001000-001505 )	Door, Engine Cover	1
2	64903	(001000-001505 )	Latch, Door	3
3	76640	(001000-001505 )	Pan, Floor	1
4	32117	(001000-001505 )	Bracket, Tow Bypass	1
5	25186	(001000-001505 )	Housing, Steering Column	1
6	70284	(001000-001505 )	Wire, Lead	1
▽	7	75244-1	Panel, Side Kick	1
▲	8	37089	Label, Caution, Reduce Travel	1
9	75547	(001000-001423 )	Panel, Dash	1
9	392532	(001424-001505 )	Panel Wldt, Dash Board	1
10	75268	(001000-001505 )	Door Wldt, Access Top (Gas) (Diesel)	1
10	75268	(001000-001423 )	Door Wldt, Access Top (LPG)	1
10	392535	(001424-001505 )	Door Wldt, Access Top (LPG)	1
11	31668	(001000-001505 )	Shroud, Front	1
12	60970	(001000-001505 )	Frame, Main Tractor, 1550	1
13	75267	(001000-001505 )	Door, Access, Side, L.H.	1

Fig. 3 - Main Frame Group (001000-001505)

Ref.	Part No.	Serial Number	Description	Qty.
14	76650	(001000-001505 )	Cover, Governor	1
15	76813	(001000-001402 )	Door, Rear Side Access	2
16	51787	(001000-001505 )	Bumper, Rubber	12
17	75480A	(001000-001505 )	Back Frame	1
▽	18	78104-4	(001000-001402 ) Shroud, Engine Compartment, L.H.	1
▲	57630	(001000-001402 )	Label, Danger, Keep Out Pinch	1
19	32575	(001000-001505 )	Brace, Engine Compartment	1
20	76583	(001000-001505 )	Support, Brace	1
21	01736	(001000-001505 )	Arm, Engine Cover Support	1
	43454	(001000-001505 )	Washer, Nylon	3
22	32580	(001000-001505 )	Link, Engine Cover Support	1
▽	23	78140-1	(001000-001505 ) Shroud, Engine Compartment, R.H.	1
▲	57630	(001000-001505 )	Label, Danger, Keep Out Pinch	1
24	44031	(001000-001505 )	Clamp	1
25	76562	(001000-001505 )	Angle, Grille	1
26	76869	(001000-001505 )	Bracket, Hose	1
27	75430	(001000-001505 )	Pad, Non-skid	1
28	48183	(001000-001505 )	Chain, Static Drag	1
	50646	(001000-001505 )	Trim, Plastic, Steering Column Housing	4
29	24593	(001000-001505 )	Screw, Hex	6
	62595-18	(001000-001505 )	Molding, Rigid, 3.0 in (76 mm)	2
30	69571	(001000-001505 )	Mat, Floor	1
31	76354	(001000-001505 )	Label, Brushes	1
32	76113	(001000-001505 )	Label, Throttle and Solution	1
33	76156	(001000-001505 )	Label, Maintenance Chart	1
34	61650	(001000-001505 )	Label, Tire Pressure	1
35	48242	(001000-001505 )	Label, Important	1
36	51368	(001000-001505 )	Label, Maintenance Note	1
37	27474	(001000-001505 )	Label, TENNANT	1
38	76158	(001000-001505 )	Label, Jack At This Point	2
39	75812	(001000-001505 )	Label, Stripe, Front	1
40	75813	(001000-001505 )	Label, Wing, R.H.	1
41	75814	(001000-001505 )	Label, Wing, L.H.	1
42	75810	(001000-001505 )	Label, Stripe, Side	2
43	75811	(001000-001505 )	Label, Stripe	2
44	369704	(001061-001505 )	Horn, 12 Volt	1
45	1008894	(001000-001505 )	Label, Patent, Scrubber	1
46	62595-4	(001000-001402 )	Molding, Rigid	1
	10632-12	(001000-001505 )	Grommet, 0.38 in (10 mm) I.D.	1
	62595-9	(001000-001505 )	Molding, Rigid, 17.75 in (450 mm) L	1
47	369749	(001403-001505 )	Door, Rear Side Access, L.H.	1
48	76813	(001403-001505 )	Door, Rear Side Access, R.H.	1
▽	49	369750	(001403-001505 ) Shroud, Engine Compartment, L.H.	1
▲	57630	(001403-001505 )	Label, Danger, Keep Out Pinch	1

**Fig. 4 - Main Frame Group (001508- )**

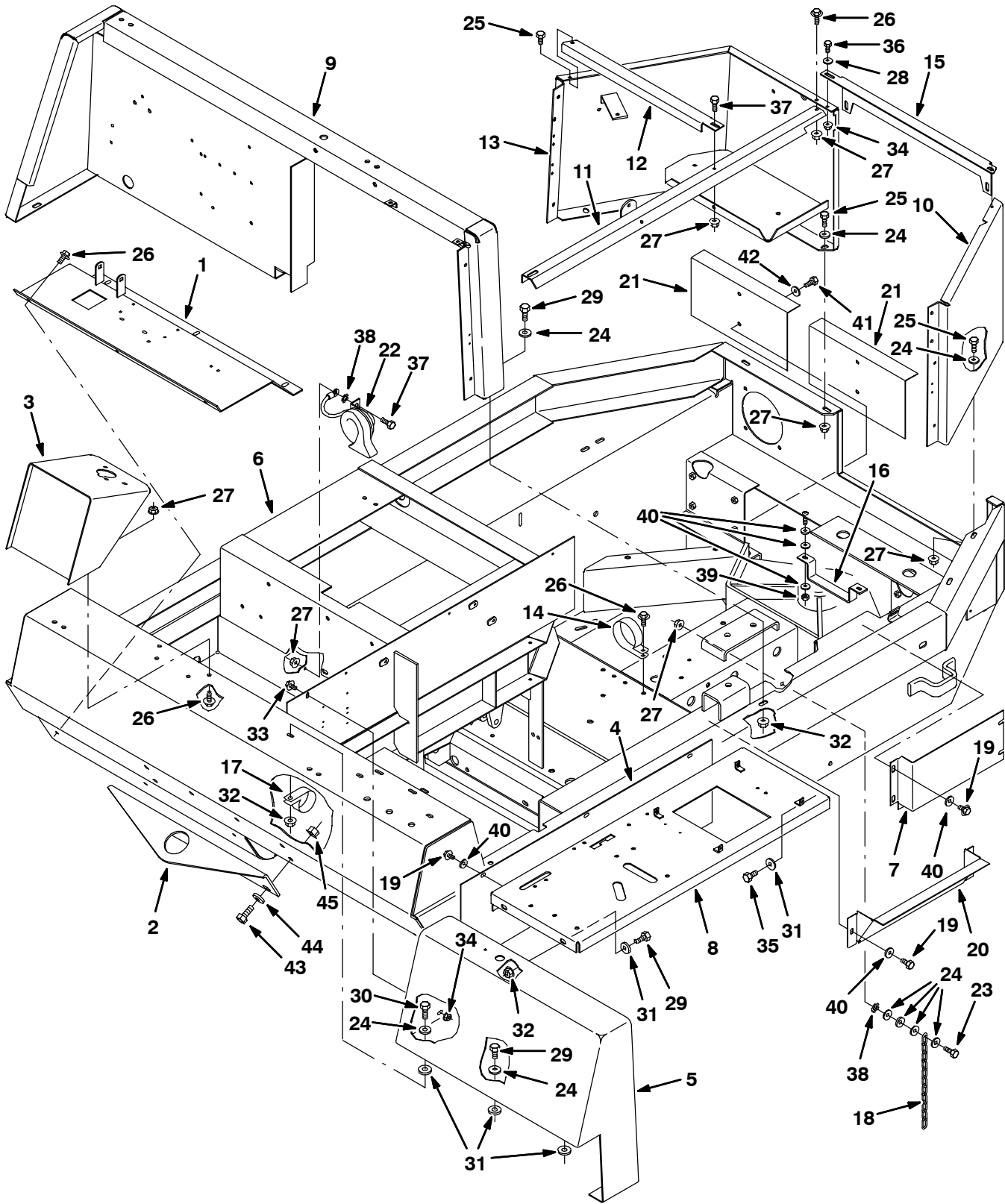


Fig. 4 - Main Frame Group (001508- )

Ref.	Part No.	Serial Number	Description	Qty.
1	76640	(001508-	) Pan Wldt, Floor	1
2	32117	(001508-	) Bracket, Tie-Down, Rear, [550]	1
3	25186	(001508-	) Bracket Wldt, Mtg, Column, Strg (Diesel)	1
3	1017442	(001508-	) Bracket Wldt, Steering Column (Gas/Lpg)	1
4	75244-1	(001508-	) Panel, Access, Side	1
5	31668	(001508-	) Shroud	1
6	1017594	(001508-	) Frame Wldt, Tractor [550/1550]	1
7	76650	(001508-	) Cover, Access, Governor	1
8	1015517	(001508-	) Panel Wldt, Cntrl, Dsl [550]	1
8	392532	(001508-	) Panel Wldt, Cntrl (Gas/Lpg)	1
9	75480A	(001508-	) Frame Wldt	1
10	9001041	(001508-	) Panel, Eng, W / Label	1
11	1015430	(001508-	) Brace Wldt, Cover, Eng	1
12	76583	(001508-	) Support	1
13	9001039	(001508-	) Panel Wldt, Eng, W / Label	1
14	34312	(001508-	) Clamp, Cable, Stl, 3.00d X 1.00w, 1h	1
15	1016044	(001508-	) Bracket, Shroud, Rear	1
16	76869	(001508-	) Bracket, Hose	1
17	41016	(001508-	) Clamp, Cable, Stl, 2.25d X 1.00w, 1h	1
18	48183	(001508-	) Chain, Coil, Str, 2/0 14.1l 11 Link	1
19	24593	(001508-	) Screw, Hex, .25-20 X 0.50, Fmg	14
20	1013129	(001508-	) Cover, Starter	1
21	1017231	(001508-	) Plate, Eng	2
22	369704	(001508-	) Horn, 12vdc, Dbal [Wolo]	1
23	76956	(001508-	) Screw, Hex, .31-18 X 1.25, 5	1
24	32491	(001508-	) Washer, Flat, 0.31 Std	25
25	76955	(001508-	) Screw, Hex, .31-18 X 1.00, 5	7
26	16953	(001508-	) Screw, Hex, .31-18 X 0.75, Sems	13
27	27979	(001508-	) Nut, Hex, Fling, .31-18	18
28	32483	(001508-	) Washer, Flat, 0.25 Sae	2
29	21197	(001508-	) Screw, Hex, .38-16 X 1.00, 5	10
30	21198	(001508-	) Screw, Hex, .38-16 X 1.25, 5	1
31	32492	(001508-	) Washer, Flat, 0.38 Std	7
32	27980	(001508-	) Nut, Hex, Fling, .38-16	8
33	16949	(001508-	) Screw, Hex, .25-20 X 0.75, Sems	1
34	27978	(001508-	) Nut, Hex, Fling, .25-20	9
35	21194	(001508-	) Screw, Hex, .38-16 X 0.62, 5	2
36	19317	(001508-	) Screw, Hex, .25-20 X 0.75, 5	2
37	76955	(001508-	) Screw, Hex, .31-18 X 1.00, 5	2
38	41141	(001508-	) Washer, Lock, Int-Ext, .31	2
39	41169	(001508-	) Nut, Hex, Lock, .25-20, Nl, Ss	2
40	32490	(001508-	) Washer, Flat, 0.25 Std	20
41	54396	(001508-	) Screw, Hex, .31-18 X 0.75, 5	4
42	39349	(001508-	) Washer, Flat, 0.31 Sae	4
43	39809	(001508-	) Screw, Hex, .50-13 X 1.00, 5	2
44	32486	(001508-	) Washer, Flat, 0.50 Sae	2
45	27981	(001508-	) Nut, Hex, Fling, .50-13	2

**Fig. 5 - Main Frame Cover and Door Group (001508- )**

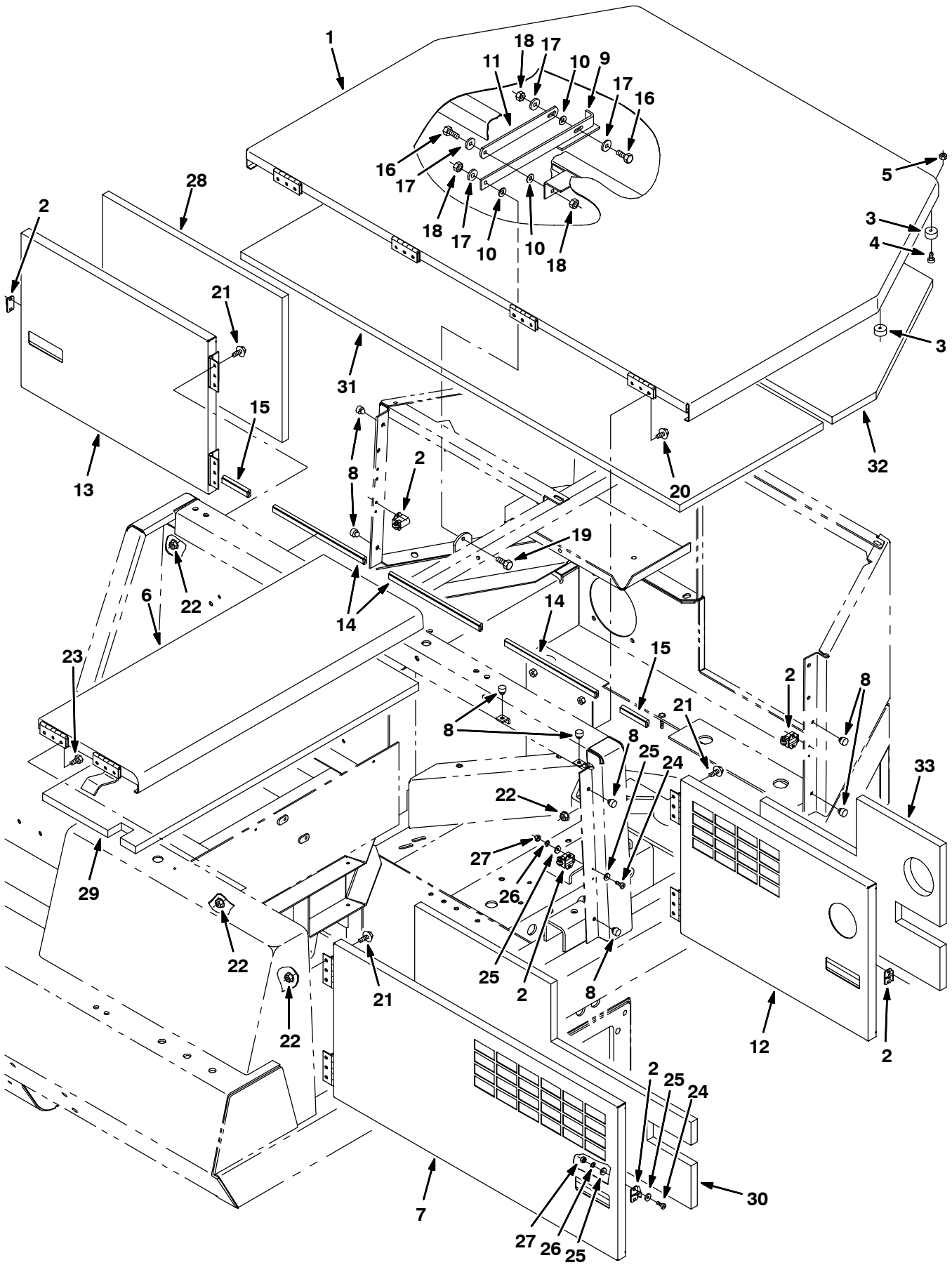
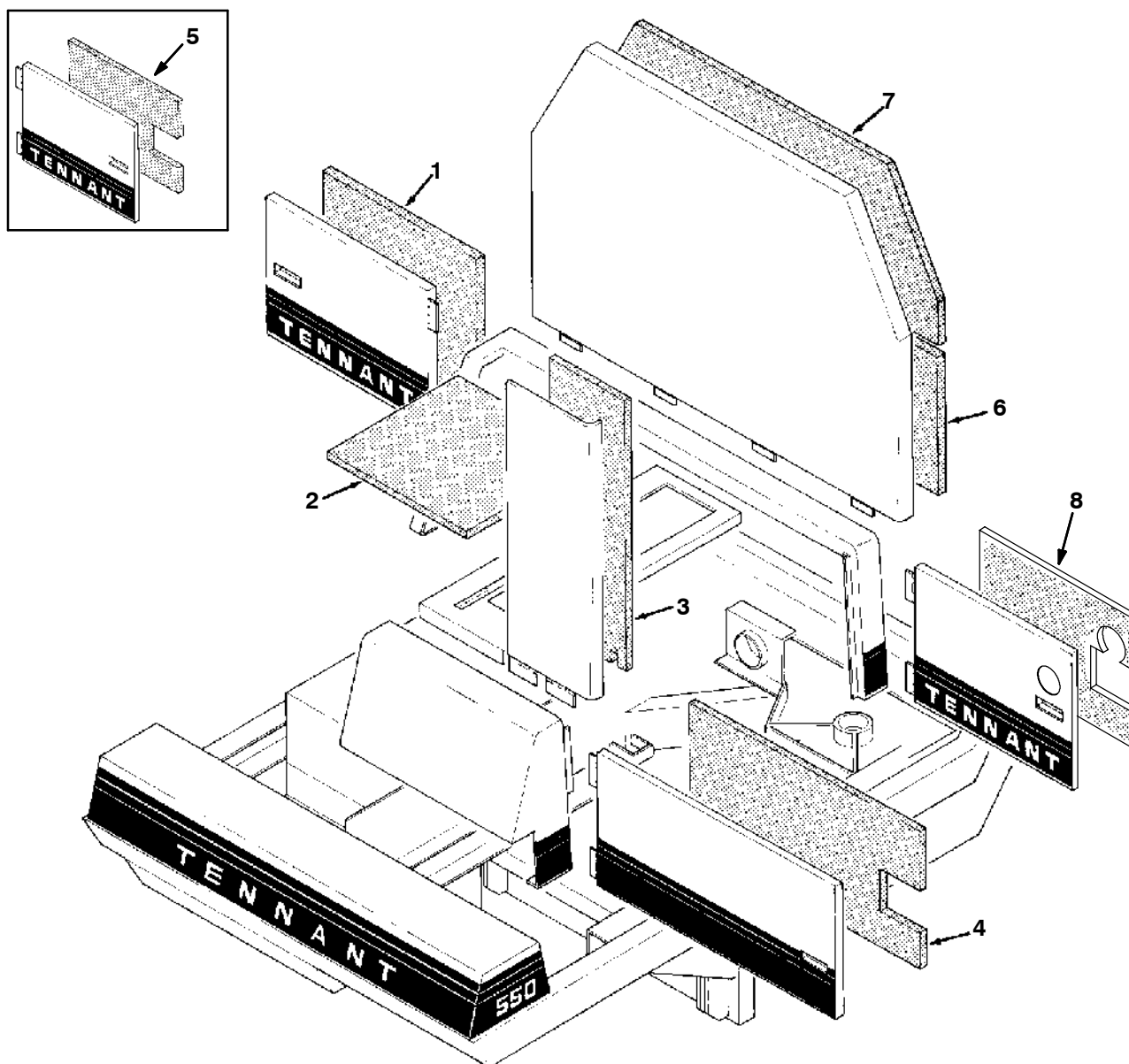


Fig. 5 - Main Frame Cover and Door Group (001508- )

Ref.	Part No.	Serial Number	Description	Qty.
1	76811	(001508-	) Door Wldt, Eng, Top, [1550]	1
2	64903	(001508-	) Catch, Door, Roller	3
3	82921	(001508-	) Bumper, Rbr, 1.0d 0.50t 0.22h	4
4	39650	(001508-	) Screw, Pan, #10-24 X 0.62, 1	4
5	45181	(001508-	) Nut, Hex, Lock, #10-24, NI	4
6	75268	(001508-	) Door Wldt, Access, Top, Lh (Gas) (Diesel)	1
6	392535	(001508-	) Door Wldt, Access, Top, Lh (LPG)	1
7	1017573	(001508-	) Door Wldt, Access, Front, Lh	1
8	51787	(001508-	) Bumper, Rbr, 0.6d 0.34t .3d Tip	8
9	01736	(001508-	) Arm Wldt, Safety, Door, Eng	1
10	43454	(001508-	) Washer, Flat, 0.34b 0.69d .06, Nyl	3
11	32580	(001508-	) Link, .19 1.0w 09.2l 1/0.3h 1/0.3s	1
12	1017358	(001508-	) Door Wldt, Access, Side, Lh	1
13	1017600	(001508-	) Door Wldt, Access, Side, Rh	1
14	1018451	(001508-	) Seal, Bulb, Str, 0.38th 0.75w 10.75l Adh	3
15	1018449	(001508-	) Seal, Bulb, Str, 0.38th 0.75w 03.0l Adh	2
16	76956	(001508-	) Screw, Hex, .31-18 X 1.25, 5	2
17	32491	(001508-	) Washer, Flat, 0.31 Std	4
18	32983	(001508-	) Nut, Hex, Lock, .31-18, NI	3
19	76955	(001508-	) Screw, Hex, .31-18 X 1.00, 5	1
20	24594	(001508-	) Screw, Hex, .25-20 X 0.75, Fmg	8
21	16949	(001508-	) Screw, Hex, .25-20 X 0.75, Sems	12
22	27978	(001508-	) Nut, Hex, Fmg, .25-20	12
23	19317	(001508-	) Screw, Hex, .25-20 X 0.75, 5	4
24	19321	(001508-	) Screw, Pan, #06-32 X 0.50, 1	12
25	19064	(001508-	) Washer, Flat, #06	24
26	32975	(001508-	) Washer, Lock, Int, #06	12
27	19309	(001508-	) Nut, Hex, Std, #06-32	12
28	1017731	(001508-	) Insulation, Acstc, 0.8 14.8w 21.3l	1
29	76867	(001508-	) Insulation, Acstc, 0.8 11.0w 33.6l Notch	1
30	1017736	(001508-	) Insulation, Acstc, 0.8 14.8w 32.8l	1
31	76866	(001508-	) Insulation, Acstc, 0.8 17.0w 52.1l Notch	1
32	78012	(001508-	) Insulation, Acstc, Cover, Eng	1
33	1017734	(001508-	) Insulation, Acstc, 0.8 14.8w 21.3l	1

Fig. 6 - Main Frame Noise Insulation Group (001000-001505)

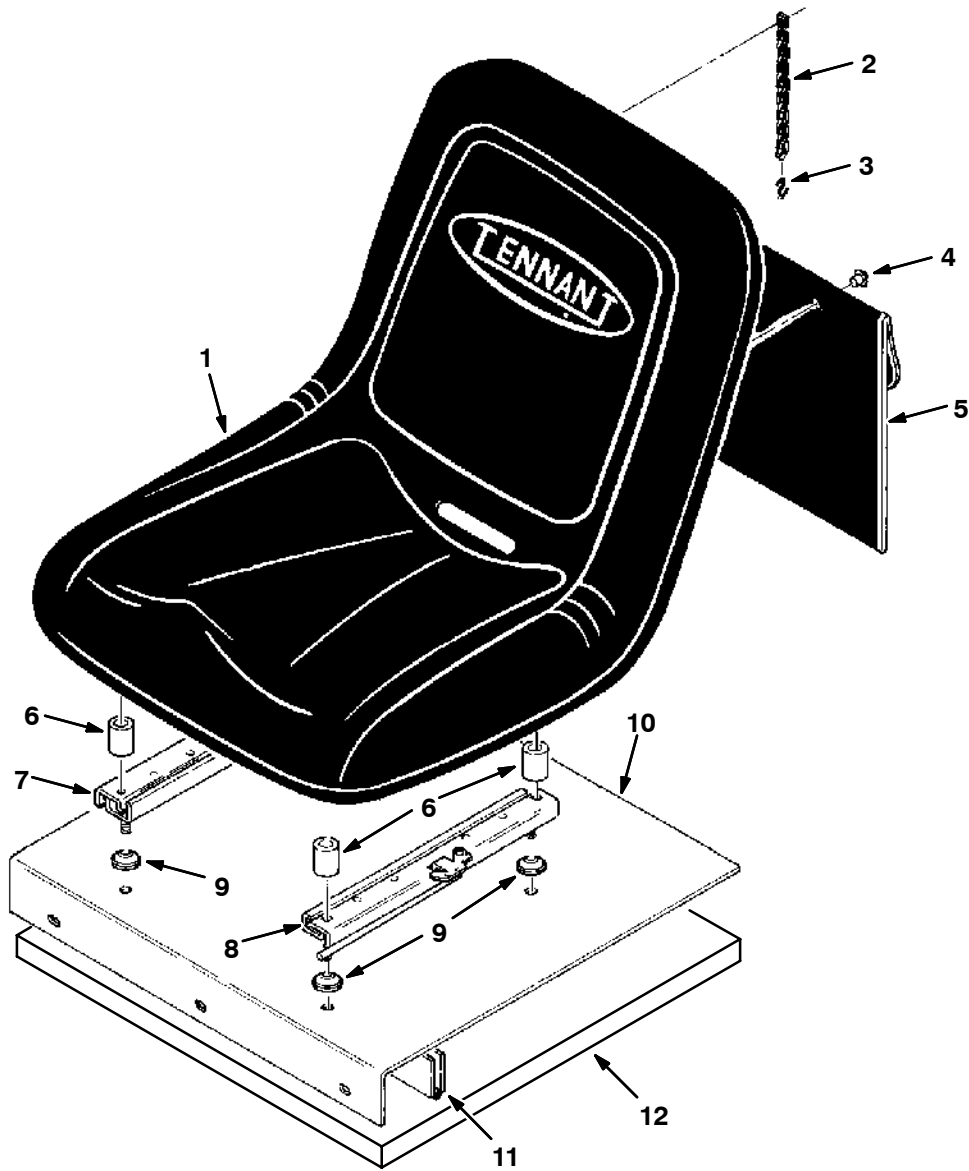


00314 - 550, 1550

Ref.	Part No.	Serial Number	Description	Qty.
1	76864	(001000-001505 )	Insulation, Side Door, R.H.	1
2	76870	(001000-001505 )	Insulation, Seat	1
3	76867	(001000-001505 )	Insulation, Top, Hydraulic Tank Door	1
4	76868	(001000-001505 )	Insulation, Front, Side Door, L.H.	1
5	76864	(001000-001402 )	Insulation, Rear, Side Door, L.H.	1
6	76866	(001000-001505 )	Insulation, Engine Access Door	1
7	78012	(001000-001505 )	Insulation, Engine Access Door	1
8	369748	(001403-001505 )	Insulation, Rear, Side Door, L.H.	1



Fig. 7 - Seat Group



02365 - 550, 1550, NA

Ref.	Part No.	Serial Number	Description	Qty.
1	79605	(001000-	) Seat	1
2	43203	(001000-	) Chain	1
3	43363	(001000-	) Hook, S	1
4	68567	(001000-	) Rivet, Pop	2
5	48790	(001000-	) Pouch, Operator's Manual 7.5 in (190mm)	1
6	02997	(001000-	) Sleeve	4
7	51459	(001000-	) Adjuster, Seat	1
8	51458	(001000-	) Adjuster Assembly, Seat	1
9	52615	(001000-	) Spacer, Seat Adjuster	4
10	16669	(001000-	) Plate, Seat Mount	1
11	75272	(001000-	) Hinge, Seat	1
12	76870	(001000-	) Insulation, Acstc, 0.8, 20.3 X 19.3	1

Fig. 8 - Scrub Head Lift Group

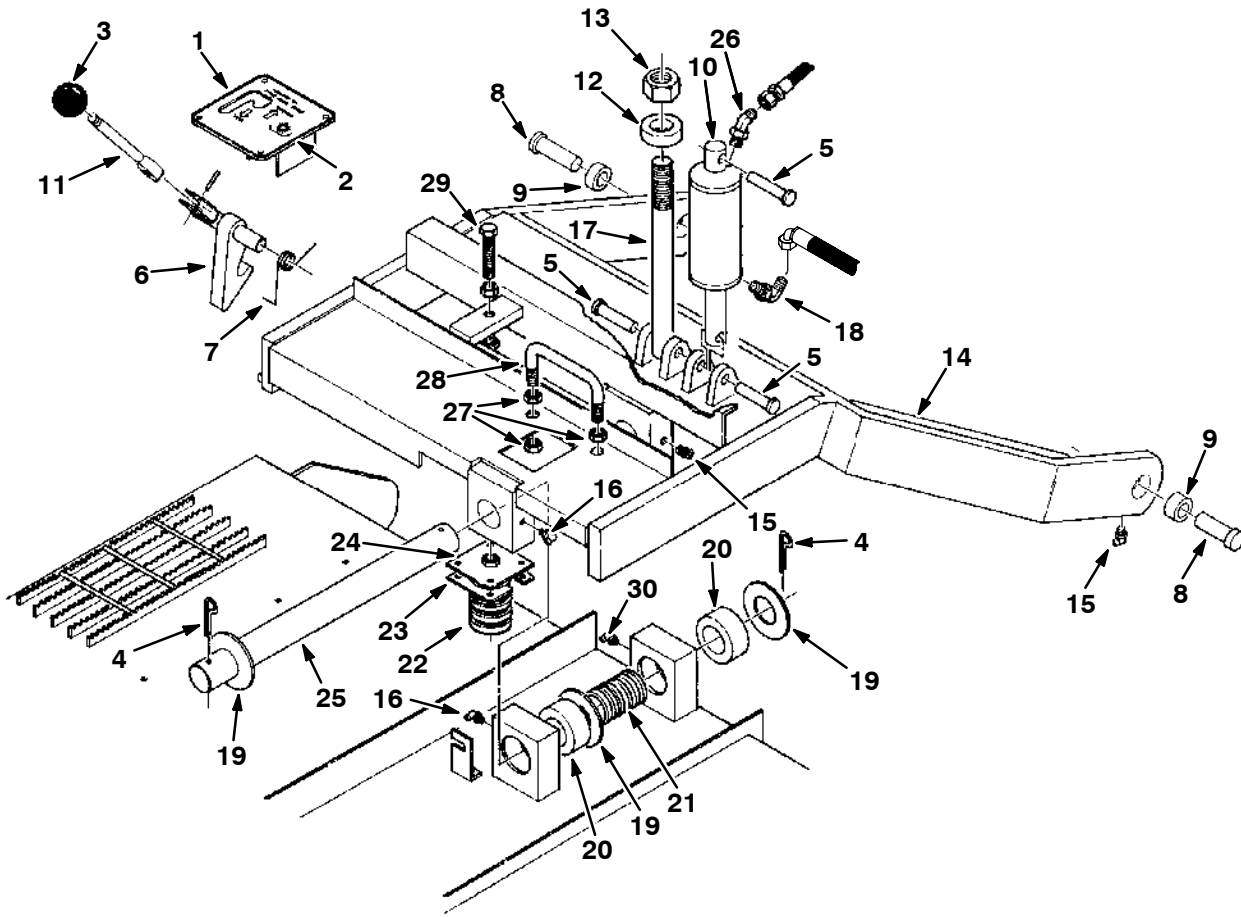
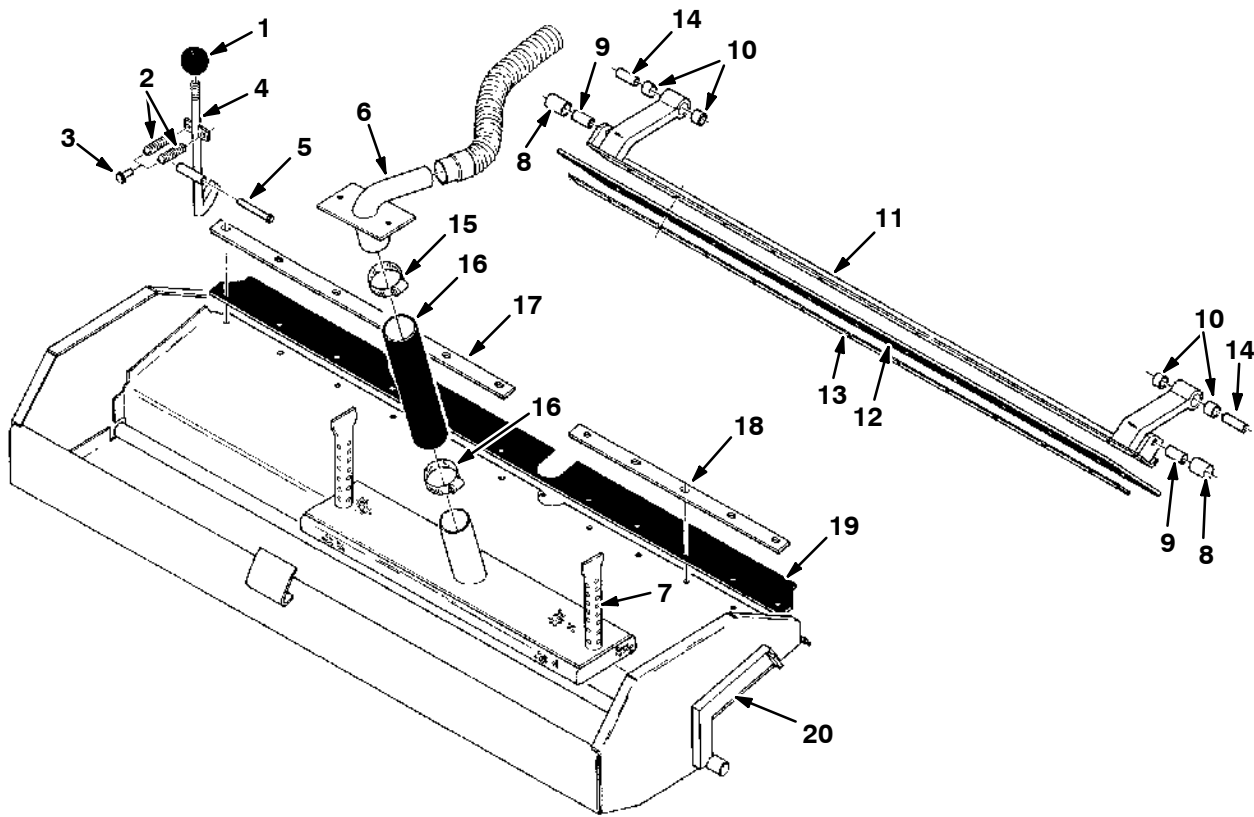


Fig. 8 - Scrub Head Lift Group

Ref.	Part No.	Serial Number	Description	Qty.
1	76063	(001000-	) Label, Headlock	1
2	76628	(001000-	) Cover, Headlock	1
3	26565	(001000-	) Knob	1
4	08174	(001000-	) Pin, Cotter, .375 X 3.00, Stl	2
5	06279	(001000-	) Pin, Clevis, 0.50 D X 2.50l	3
6	25219	(001000-	) Pivot, Headlock	1
7	78078	(001000-	) Spring	1
8	04733-12	(001000-	) Pin, Clevis	2
9	42120	(001000-	) Bearing	2
10	1028058	(001000-	) Cylinder, Hyd, 2.0b 08.0l 04.00strk 2500	1
11	25220	(001000-	) Lever	1
12	15398	(001000-	) Sleeve	1
13	02589	(001000-	) Nut, Nylon	1
14	75627	(001000-	) Lift, Scrubber Head	1
15	11716	(001000-	) Fitting, Grease, 45°	3
16	11048	(001000-	) Fitting, Grease	2
17	75622	(001000-	) Stud	1
18	77097	(001000-	) Fitting, Elbow	1
19	39348	(001000-	) Washer	3
20	42120-9	(001000-	) Bearing	2
21	75617	(001000-	) Spring	1
22	40846	(001000-	) Spring	1
23	75766	(001000-	) Plate, Mounting	1
24	75764	(001000-	) Plate	1
25	75616	(001000-	) Shaft, Pivot	1
26	34359	(001000-	) Fitting, Elbow, 45°	1
27	32524	(001000-	) Nut	4
28	48901	(001000-	) U-Bolt	1
29	53963A	(001000-	) Screw, Hex	1
30	06418	(001000-	) Fitting, Grease	1

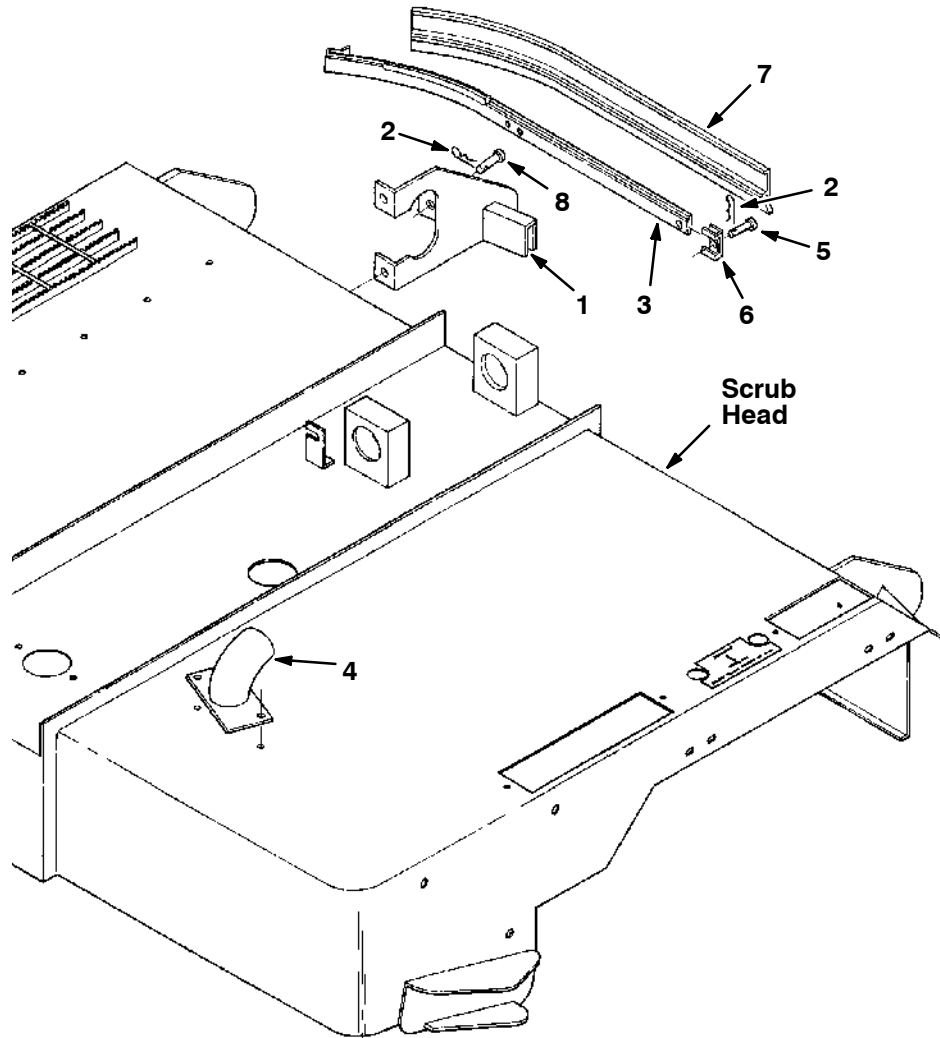
**Fig. 9 - Scrub Head Hopper Group**



06921 - 1550

Ref.	Part No.	Serial Number	Description	Qty.	
1	26156	(001000-	) Knob	1	
2	75575	(001000-	) Spring	2	
3	46800	(001000-	) Pin, Clevis	1	
4	75530	(001000-	) Latch, Hopper	1	
5	23191	(001000-	) Pin, Clevis	1	
6	75607	(001000-	) Nozzle, Hopper	1	
7	79301	(001000-	) Nozzle, Suction	1	
▽	75634	(001000-	) Deflector Assembly, Scrub Brush	1	
▲	8	75642	(001000-	) Bearing, Sleeve	2
▲	9	75636	(001000-	) Sleeve	2
▲	10	75681	(001000-	) Bearing	4
▲	11	75638	(001000-	) Deflector, Scrub Brush	1
▲	12	75649	(001000-	) Skirt, Deflector	1
▲	13	75648	(001000-	) Retainer, Deflector Skirt	1
▲	14	75643	(001000-	) Sleeve	2
15	22297	(001000-	) Clamp, Worm Drive	2	
16	50845	(001000-	) Hose, Hopper	1	
▽	75569	(001000-	) Hopper Assembly	1	
▲	17	75571	(001000-	) Retainer, Hopper Lip	1
▲	18	75572	(001000-	) Retainer, Hopper Lip	1
▲	19	75570	(001000-	) Lip, Hopper	1
▲	20	75550	(001000-	) Hopper, Debris	1

Fig. 10 - Scrub Head Rear Squeegee Group



06941 - 1550

Ref.	Part No.	Serial Number	Description	Qty.
1	61626	(001000-	) Bracket, R.H.	1
	61623	(001000-	) Bracket, L.H. (not shown)	1
2	44906	(001000-	) Pin, Hair	4
3	61624	(001000-	) Frame, Squeegee	2
4	61638	(001000-	) Diffuser, Vacuum, 1550	1
5	69582	(001000-	) Pin, Clevis	2
6	86759	(001000-	) Retainer, Squeegee	2
7	61625	(001000-	) Squeegee, Windrow	2
8	29558	(001000-	) Pin, Clevis	2

Fig. 11 - Scrub Head Right Side Squeegee Assembly

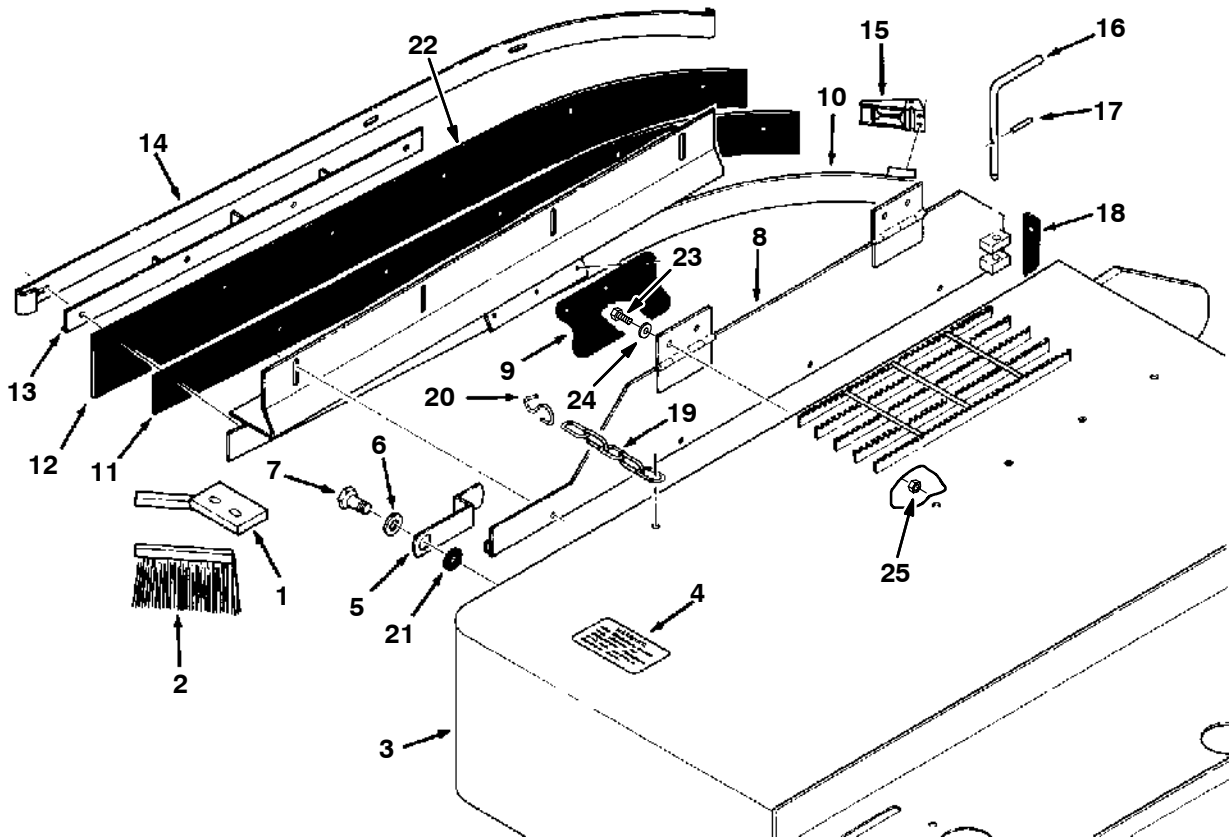


Fig. 11 - Scrub Head Right Side Squeegee Assembly

Ref.	Part No.	Serial Number	Description	Qty.
▽		75712	(001000- ) Deflector Assembly, Brush	1
▲	1	75702	(001000- ) Retainer, Brush	1
▲	2	75711	(001000- ) Brush	1
▽	3	03402	(001000- ) Frame, Scrubber Head	1
▲	4	40575	(001000- ) Label, Warning, Use Scrubber	2
	5	75757	(001000- ) Latch, Door	1
	6	32486	(001000- ) Washer	1
	7	39810	(001000- ) Screw, Hex	1
▽		75790	(001000- ) Squeegee Assembly, Right Side	1
▲	8	75791	(001000- ) Door, Squeegee	1
▲	9	59617	(001000- ) Flap, Containment	1
▲	10	75788	(001000- ) Frame, Side Squeegee, R.H.	1
▲	11	75799	(001000- ) Strip, Backup	1
▲	12	60015	(001000- ) Blade, Squeegee	1
▲	13	75588	(001000- ) Bracket, Bridge	1
▲	14	75592	(001000- ) Band, Squeegee, Retaining	1
▲	15	87579	(001000- ) Latch, Cam Lock Band	1
▲	16	75528	(001000- ) Pin, Door Locking	1
▲	17	11476	(001000- ) Pin, Roll	1
	18	75740	(001000- ) Guard, Splash	1
▽		40759	(001000- ) Chain and Hook Assembly	1
▲	19	40758	(001000- ) Chain	1
▲	20	40646	(001000- ) Hook, Chain	1
	21	59633	(001000- ) Bearing, Thrust	2
	22	78562	(001000- ) Blade, Squeegee, Urethane	1
	23	69225	(001000- ) Screw, Hex, .38-16 X 1.00, Ss	4
	24	01686	(001000- ) Washer, Flat, 0.44b 1.00d .08, Ss	4
	25	01692	(001000- ) Nut, Hex, Std, .38-16, Ss	4

Fig. 12 - Scrub Head Left Side Squeegee Assembly

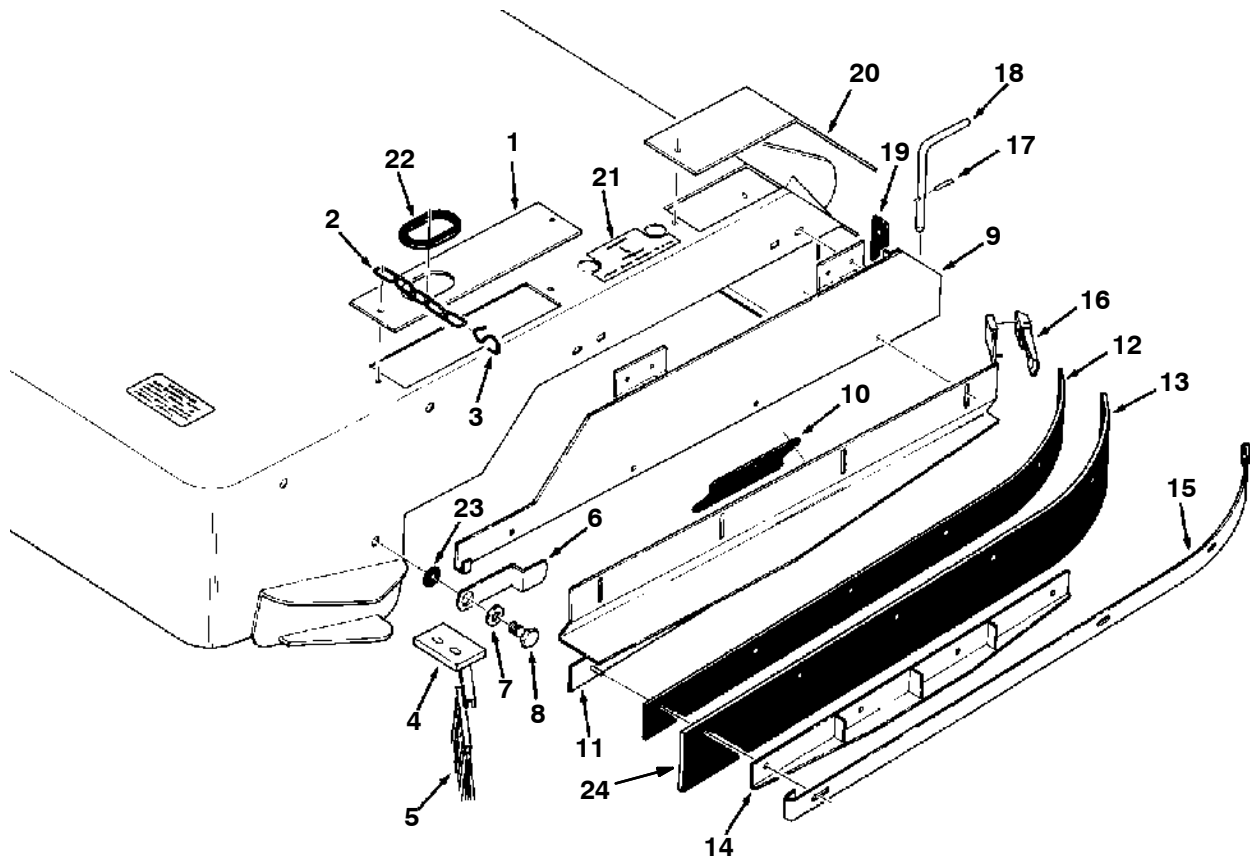




Fig. 12 - Scrub Head Left Side Squeegee Assembly

Ref.	Part No.	Serial Number	Description	Qty.
	1	31634	(001000- ) Strip, Cover	1
▽	40759	(001000- )	Chain, Assembly, Door	1
▲	2	40758	(001000- ) Chain	1
▲	3	40646	(001000- ) Hook	1
▽	75713	(001000- )	Deflector Assembly, Brush, L.H.	1
▲	4	75703	(001000- ) Retainer, Brush	1
▲	5	75711	(001000- ) Brush	1
	6	75757	(001000- ) Latch, Door	1
	7	32486	(001000- ) Washer	1
	8	39810	(001000- ) Screw, Hex	1
▽	75795	(001000- )	Squeegee Assembly, Left Side	1
▲	9	75796	(001000- ) Door, Squeegee, L.H.	1
▲	10	59617	(001000- ) Flap, Containment	1
▲	11	75789	(001000- ) Frame, Side Squeegee, L.H.	1
▲	12	75799	(001000- ) Strip, Backup	1
▲	13	60015	(001000- ) Blade, Squeegee	1
▲	14	75588	(001000- ) Bracket, Bridge	1
▲	15	75592	(001000- ) Band, Squeegee, Retaining	1
▲	16	87579	(001000- ) Latch, Cam Lock Band	1
▲	17	11476	(001000- ) Pin, Roll	1
▲	18	75528	(001000- ) Pin, Door Locking	1
	19	75740	(001000- ) Guard, Splash	1
	20	76677	(001000- ) Strip, Cover	1
	21	76066	(001000- ) Label, Brush Pressure	1
	22	10632-19	(001000- ) Grommet	1
	23	59633	(001000- ) Bearing, Thrust	2
	24	78562	(001000- ) Blade, Squeegee, Urethane	1

Fig. 13 - Scrub Head Solution Control Group

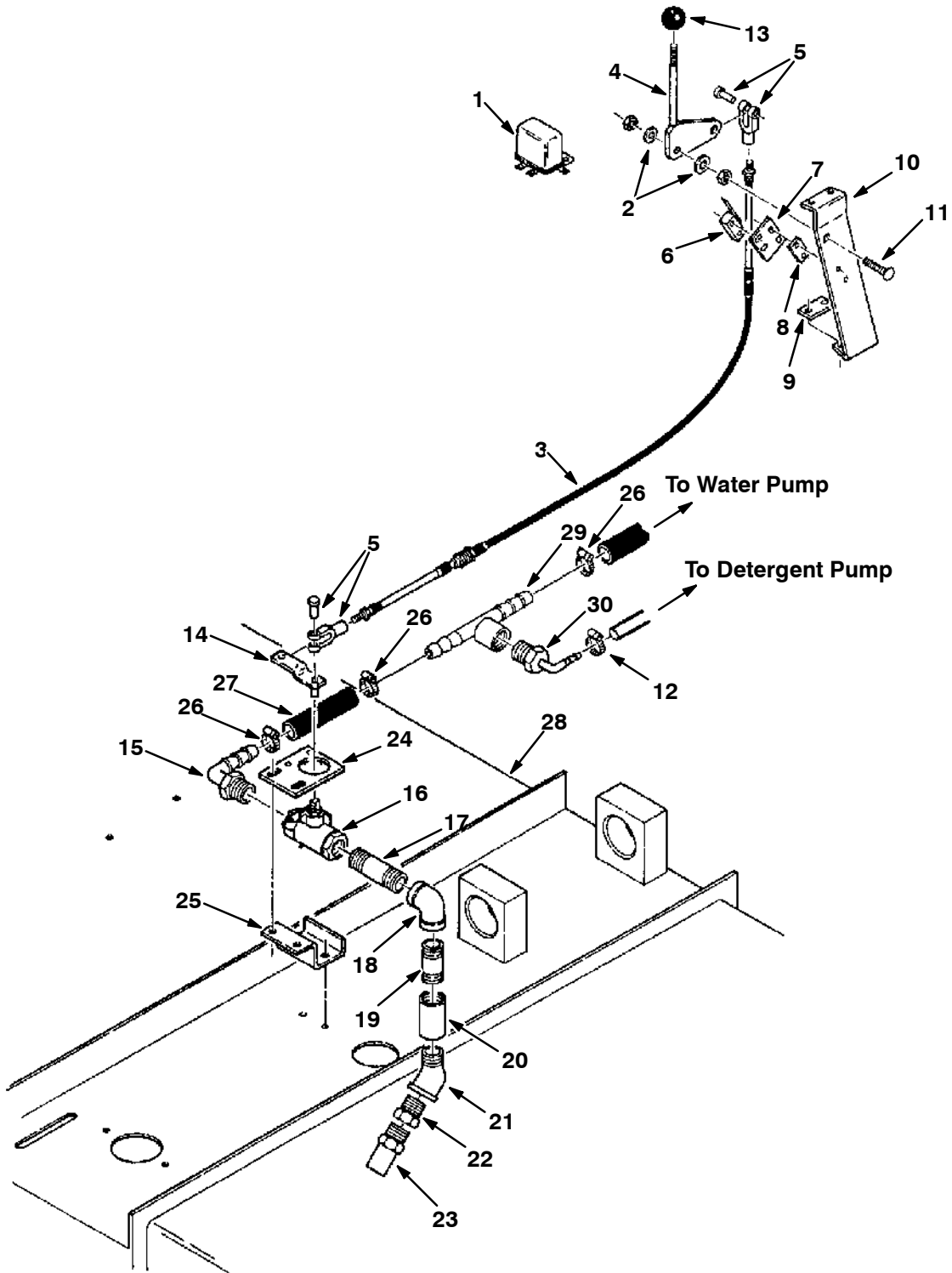


Fig. 13 - Scrub Head Solution Control Group

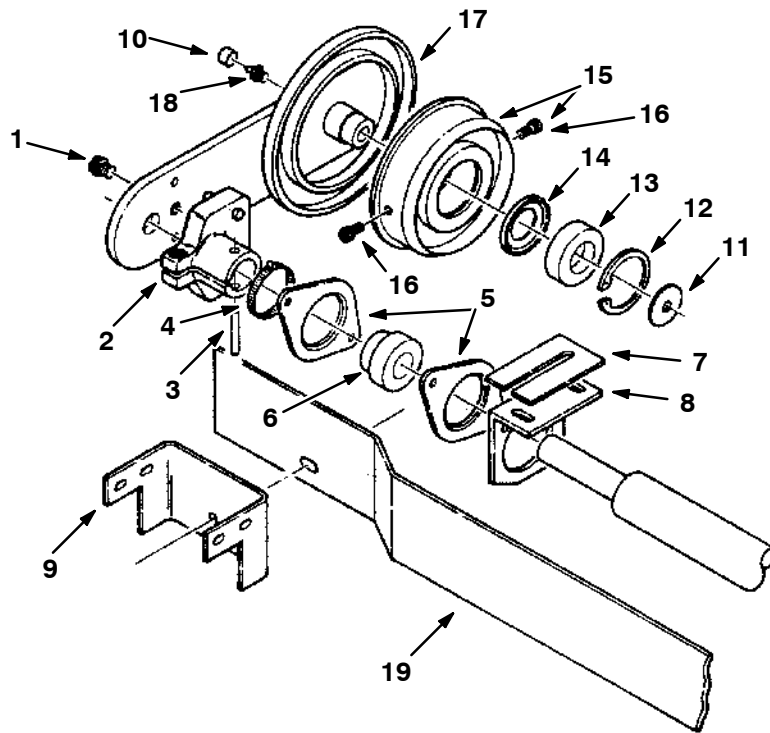
Ref.	Part No.	Serial Number	Description	Qty.
	1	57804	(001000- ) Relay	1
▽		02819	(001000- ) Lever Assembly, Solution Control	1
▲	2	52296	(001000- ) Washer, Nylon	2
▲	3	75314	(001000- ) Cable, Control	1
▲	4	08791	(001000- ) Bellcrank	1
▲	5	41063	(001000- ) Clevis and Pin	2
▲	6	1008142	(001000- ) Switch, Snap Actn, 250vdc 25a Spdt	1
▲	7	02817	(001000- ) Bracket, Switch	1
▲	8	02818	(001000- ) Spacer, Switch	1
▲	9	23515	(001000- ) Strip	1
▲	10	75319	(001000- ) Bar, Mounting	1
▲	11	56903	(001000- ) Bolt, Carriage	1
	12	54333	(001000- ) Clamp, Worm Drive	1
	13	26565	(001000- ) Knob	1
	14	12072	(001000- ) Arm, Control	1
	15	14877	(001000- ) Fitting, Elbow	1
	16	79350	(001000- ) Valve, Ball, 12pf Brs [Rwk 374249]	1
	17	29035	(001000- ) Fitting, Nipple	1
	18	23563	(001000- ) Fitting, Elbow	1
	19	11442-7	(001000- ) Fitting, Nipple	1
	20	07484	(001000- ) Fitting, Coupling	1
	21	11870	(001000- ) Fitting, Elbow, 45°	1
	22	11442-8	(001000- ) Fitting, Straight	1
	23	79606	(001000- ) Nozzle	1
	24	12074	(001000- ) Plate, Valve Mounting	1
	25	75802-1	(001000- ) Bracket	1
	26	11399	(001000- ) Clamp, Worm Drive	3
	27	75197	(001000- ) Hose, Rubber	1
▽	28	03402	(001000- ) Frame, Scrubber Head	1
▲		40575	(001000- ) Decal, Warning, Lock Scrubber Head	2
		02586	(001000- ) Label, Instruction, Pump Lever Model	1
		31260	(001000- ) Label, Instruction, Pump Prime	1
	29	02446	(001000- ) Fitting, Tee	1
	30	79484	(001000- ) Fitting, Elbow	1



Fig. 14 - Scrub Head Front Brush Drive Components Group

Ref.	Part No.	Serial Number	Description	Qty.	
1	39274	(001000-	) Lock, Knob, Adjusting	1	
2	51452	(001000-	) Knob, Adjusting	1	
3	75768	(001000-	) Isolator, Vibration	1	
4	32493	(001000-	) Washer	1	
5	75769	(001000-	) Bracket, Mounting	1	
6	75773	(001000-	) Spring	1	
7	75772	(001000-	) Sleeve	1	
8	06573	(001000-	) Link, Brush Lift	1	
9	75520	(001000-	) Pin, Clevis	1	
10	76667	(001000-	) Arm, Brush Drive	1	
11	51938	(001000-	) Plug, Plastic	1	
12	61489	(001000-	) Motor, Hydraulic (See Breakdowns)	1	
13	47518	(001104-	) Fitting, Straight	2	
14	76568	(001000-	) Plug, Brush Drive	1	
15	75600	(001000-	) Shim, Bracket, 0.12" (3 mm)	3	
	76218	(001000-	) Shim, Bracket, 0.06" (1.5 mm)	1	
16	42499	(001000-	) Bracket, Bearing, L.H.	1	
▽	75761	(001000-	) Shaft Assembly, Brush	1	
▲	17	75786	(001000-	) Shaft, Brush	1
▲	18	00500-20	(001000-	) Key, Woodruff	1
▲	19	75780	(001000-	) Hub, Brush	1
	20	75760	(001000-	) Channel, Bearing Cover	1
	21	42126	(001000-	) Flange, Bearing	2
	22	51448	(001000-	) Bearing	1
	23	54194	(001352-	) Fitting, Elbow	2
	24	54861	(001000-	) Screw, Flt, Soc, .38-16 X 1.50, Al	4
	25	01686	(001000-	) Washer, Flat, 0.44b 1.00d .08, Ss	4
	26	59156	(001000-	) Nut, Hex, Lock, .38-16, Ni, Ss	4
	27	31605	(001000-001103 )	Fitting, Straight	2
	28	17980	(001000-001103 )	Fitting, Elbow	2
	29	27792	(001000-001055 )	Motor, Hydraulic (Replaced by 61489) (See Breakdowns)	1

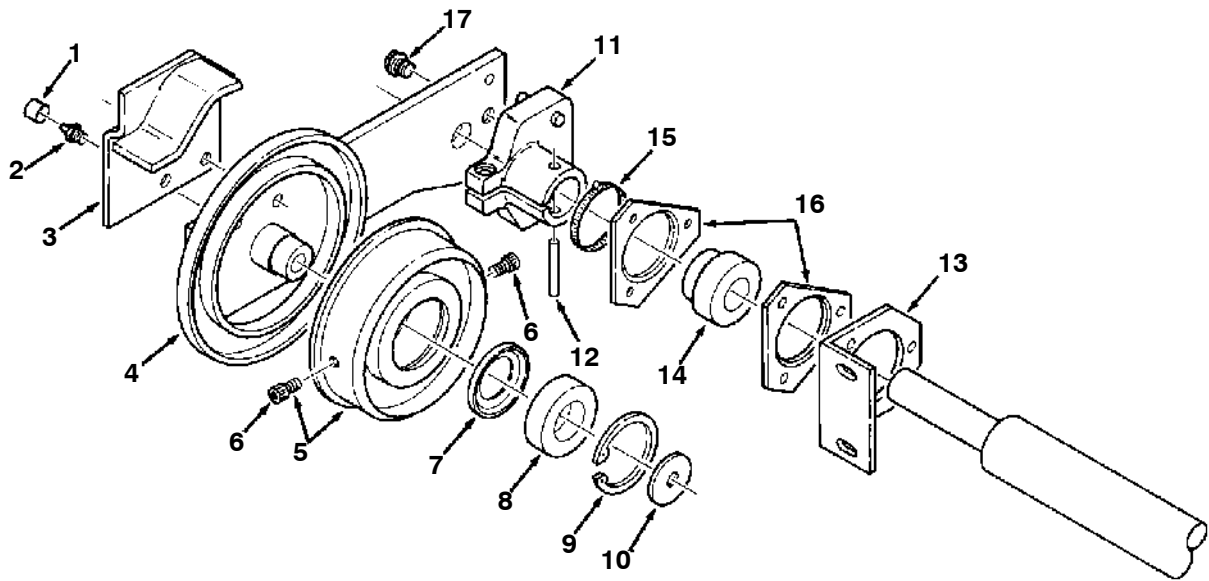
**Fig. 15 - Scrub Head Front Brush Idler Assembly**



00320 - ALL

Ref.	Part No.	Serial Number	Description	Qty.	
1	51938	(001000-	) Plug, Plastic	1	
▽	75761	(001000-	) Shaft Assembly, Brush	1	
▲	2	75781	(001000-	) Hub, Brush	1
▲	3	51317	(001000-	) Pin, Roll	1
4	22297	(001000-	) Clamp, Worm Drive	1	
5	42126	(001000-	) Flange, Bearing	2	
6	51448	(001000-	) Bearing	1	
7	75600	(001000-	) Shim, Bearing Bracket, 0.12" (3 mm)	3	
	76218	(001000-	) Shim, Bearing Bracket, 0.06" (1.5 mm)	1	
8	42498	(001000-	) Bracket, Bearing, R.H.	1	
9	75760	(001000-	) Channel, Bearing Cover	1	
▽	75656	(001000-	) Idler Assembly, Front Scrub Brush	1	
▲	10	40390	(001000-	) Cover, Grease Fitting	1
▲	11	51564	(001000-	) Washer	1
▲	12	51046	(001000-	) Ring, Retaining	1
▲	13	41032	(001000-	) Bearing	1
▲	14	40076	(001000-	) Shield, Bearing	1
▲▽	15	40999A	(001000-	) Plug, Brush Idler	1
▲▲	16	02984	(001000-	) Screw, Socket	2
▲	17	75657	(001000-	) Arm, Front Brush Idler	1
▲	18	06418	(001000-	) Fitting, Grease	1
▲	36328	(001000-	) Washer, Belleville	1	
19	25195	(001000-	) Deflector	1	

Fig. 16 - Scrub Head Rear Brush Idler Assembly



00320 - ALL

Ref.	Part No.	Serial Number	Description	Qty.
▽	75654	(001000-	) Idler Assembly, Rear Brush	1
▲	1 40390	(001000-	) Cover, Grease Fitting	1
▲	2 06418	(001000-	) Fitting, Grease	1
▲	3 75631	(001000-	) Slide, R.H.	1
▲	4 75655	(001000-	) Arm, Rear Brush Idler	1
▲▽	5 40999A	(001000-	) Plug, Brush Idler	1
▲▲	6 02984	(001000-	) Screw, Socket	2
▲	7 40076	(001000-	) Shield, Bearing	1
▲	8 41032	(001000-	) Bearing	1
▲	9 51046	(001000-	) Ring, Retaining	1
▲	10 51564	(001000-	) Washer	1
▲	36328	(001000-	) Washer, Belleville	1
▽	75761	(001000-	) Shaft Assembly, Brush	1
▲	11 75781	(001000-	) Hub, Brush	1
▲	12 51317	(001000-	) Pin, Roll	1
	13 42639	(001000-	) Bracket, Bearing	1
	14 51448	(001000-	) Bearing	1
	15 22297	(001000-	) Clamp, Worm Drive	1
	16 51449	(001000-	) Flange, Bearing	2
	17 51938	(001000-	) Plug, Plastic	1

Fig. 17 - Scrub Head Rear Brush Drive Components Group

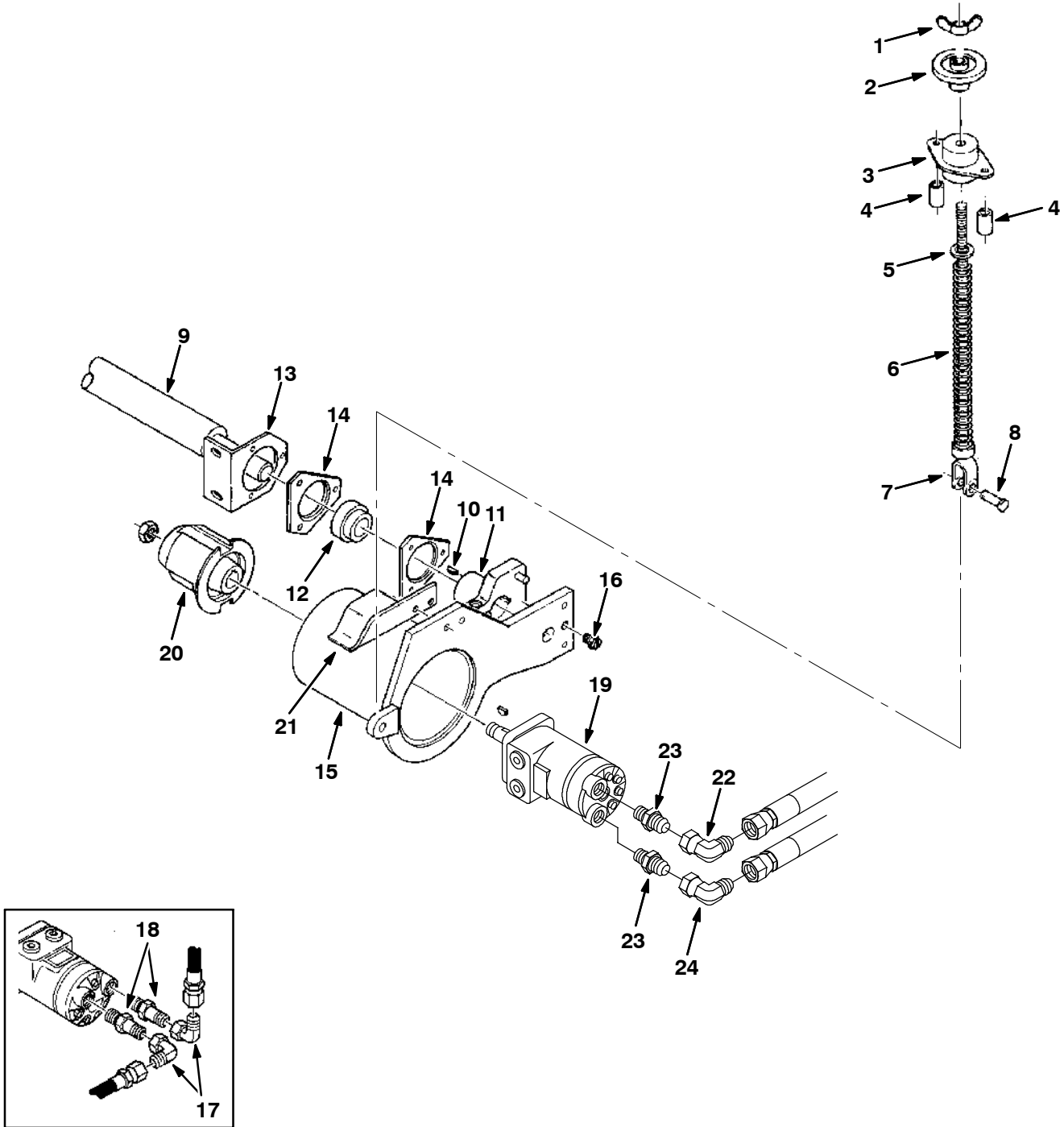


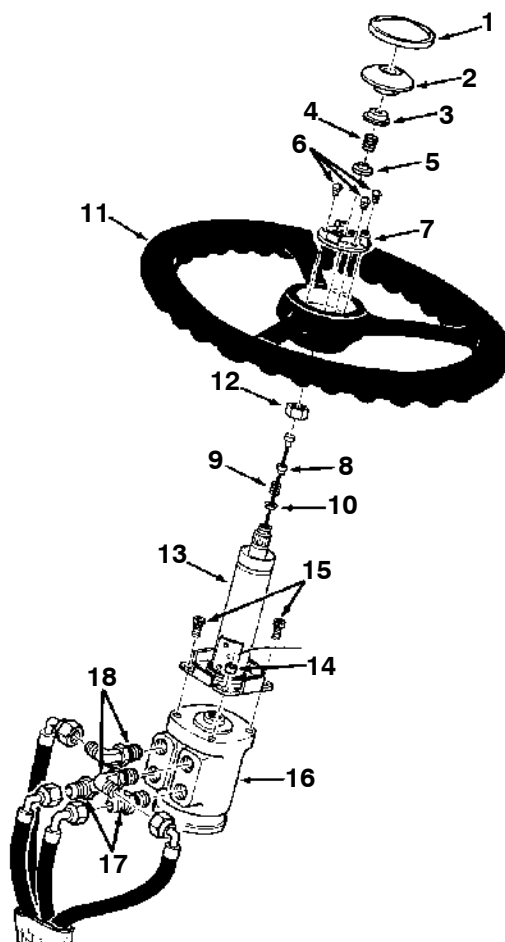


Fig. 17 - Scrub Head Rear Brush Drive Components Group

Ref.	Part No.	Serial Number	Description	Qty.	
1	39274	(001000-	) Lock, Knob Adjusting	1	
2	51452	(001000-	) Knob, Brush Adjusting	1	
3	75768	(001000-	) Isolator, Vibration	1	
4	75772	(001000-	) Spacer, Isolator	2	
5	32493	(001000-	) Washer	1	
6	75774	(001000-	) Spring	1	
7	06573	(001000-	) Link, Brush Lift	1	
8	75520	(001000-	) Pin, Clevis	1	
▽	75761	(001000-	) Shaft Assembly, Brush	1	
▲	9	75786	(001000-	) Shaft, Brush	1
▲	10	00500-20	(001000-	) Key, Woodruff	1
▲	11	75780	(001000-	) Hub, Brush Drive	1
12	51448	(001000-	) Bearing	1	
13	42639	(001000-	) Bracket, Bearing Mount	1	
14	51449	(001000-	) Flange, Bearing	2	
15	76665	(001000-	) Arm, Brush Drive	1	
16	51938	(001000-	) Plug, Plastic	1	
17	17980	(001000-001103	) Fitting, Elbow	2	
18	31605	(001000-001103	) Fitting, Straight	2	
19	27792	(001000-001055	) Motor, Hydraulic (Replaced by 61489) (See Breakdowns)	1	
19	61489	(001056-	) Motor, Hydraulic (See Breakdowns)	1	
20	76568	(001000-	) Plug, Brush Drive	1	
21	75706	(001000-	) Slide, L.H.	1	
22	54194	(001104-	) Fitting, Elbow	1	
23	47518	(001104-	) Fitting, Straight	2	
24	54194	(001352-	) Fitting, Elbow	1	

# STANDARD PARTS

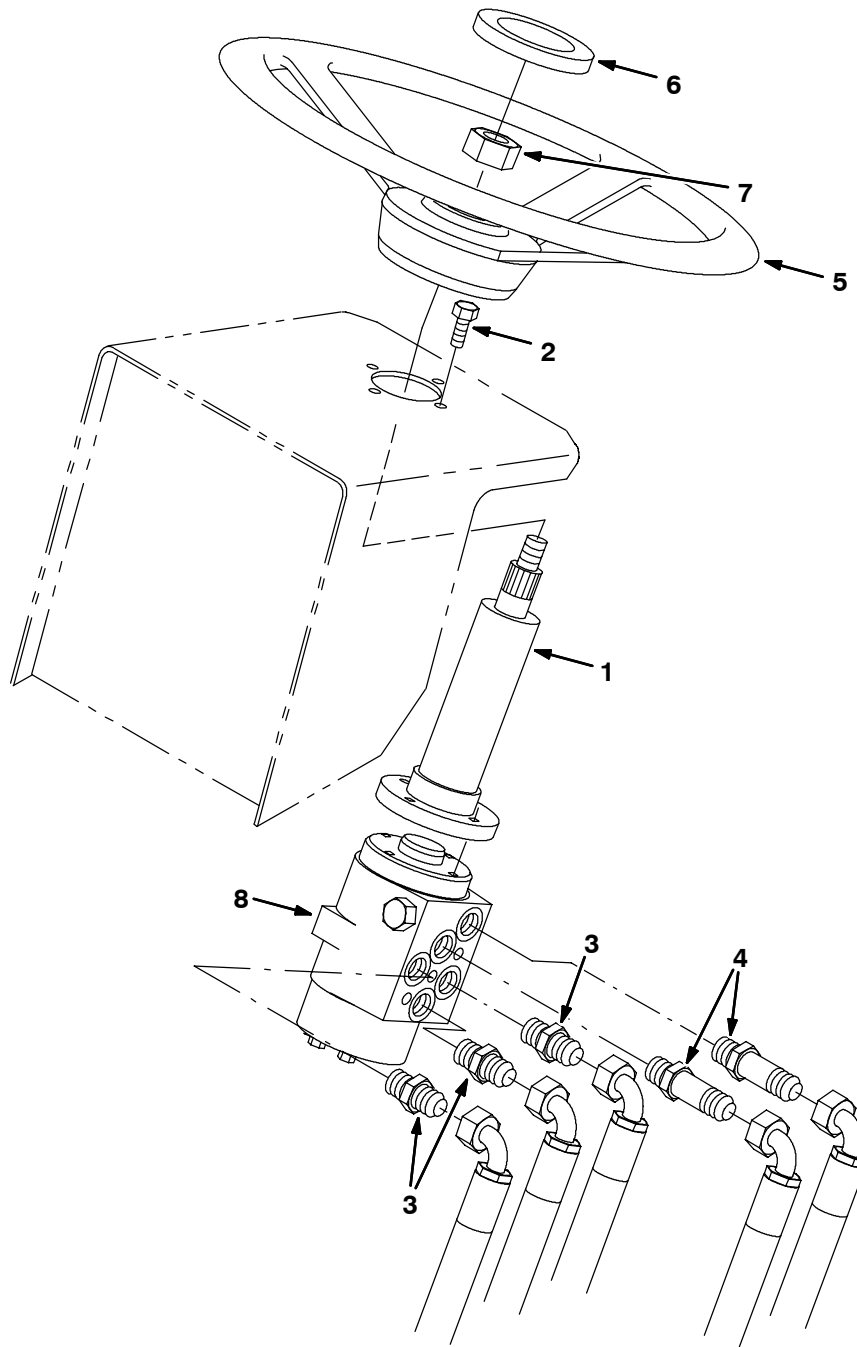
Fig. 18 - Steering Column Group, Gas/LPG (001000-001505)



01067 - 1550

Ref.	Part No.	Serial Number	Description	Qty.
▽	14700	(001000-001505 )	Horn Button Assembly	1
▲	1 47010-7	(001000-001505 )	Cover, Horn Button	1
▲	2 47010-6	(001000-001505 )	Button, Horn	1
▲	3 47010-2	(001000-001505 )	Cup, Contact	1
▲	4 47010-3	(001000-001505 )	Spring	1
▲	5 47010-1	(001000-001505 )	Cap, Contact	1
▲	6 47010-4	(001000-001505 )	Screw, Horn Button, Wood	3
▲	7 14700-4	(001000-001505 )	Plate	1
▲	8 14700-1	(001000-001505 )	Ferrule, Insulation	1
▲	9 14700-2	(001000-001505 )	Spring	1
▲	10 14700-3	(001000-001505 )	Washer	1
	11 17269	(001000-001505 )	Wheel, Steering	1
	12 57676	(001000-001505 )	Nut	1
▽	13 52388	(001000-001505 )	Column, Steering	1
▲	388153	(001000-001505 )	Kit, Contact And Brush, [64433-000] En	1
▲	74142	(001000-001505 )	Cap, Tube	1
	14 44310	(001000-001505 )	Sleeve	2
	15 10829	(001000-001505 )	Screw, Socket	2
	16 57982	(001000-001103 )	Control, Steering (See Breakdowns)	1
	16 74176	(001104-001505 )	Control, Steering (See Breakdowns)	1
	17 56690	(001000-001505 )	Fitting, Straight	2
	18 56820	(001000-001505 )	Fitting, Elbow	2

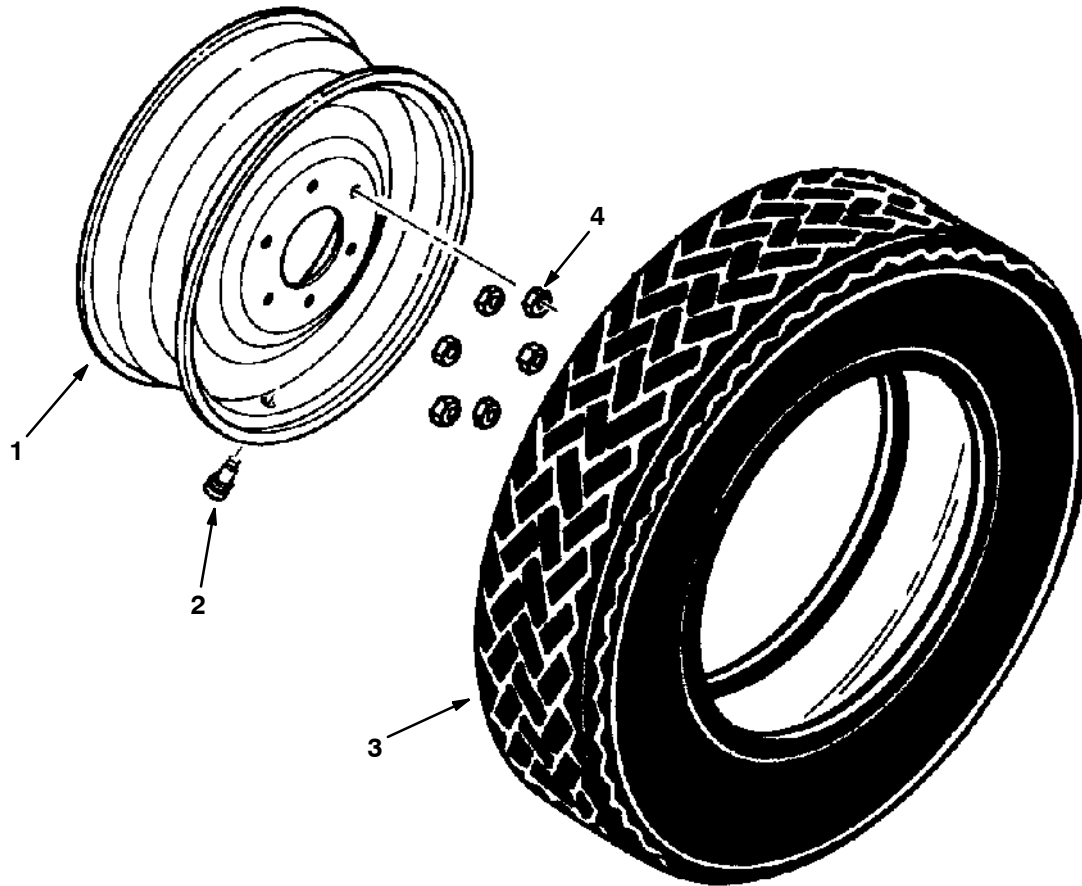
Fig. 19 - Steering Column Group, Gas/LPG (001508- )



354293 - 550, 1550, G, LP, Impco

Ref.	Part No.	Serial Number	Description	Qty.
1	367108	(001508- )	Column, Steering, #2 8.0l .81d 36t00th	1
2	06943	(001508- )	Screw, Hex, M6 X 1.0 X 20, 8.8	4
3	56690	(001508- )	Fitting, Hyd, Str, Jm06/Om06	3
4	59577	(001508- )	Fitting, Hyd, Str, Jm06/Om06, L	2
5	768481	(001508- )	Wheel, Steering, 14.3d 0.81b 36tooth	1
6	768482	(001508- )	Cover, Steering Wheel	1
7	56185	(001508- )	Nut, Hex, Jam, M20 X 1.5	1
8	1019271	(001508- )	Steer-control, Hyd2, 06.1	1

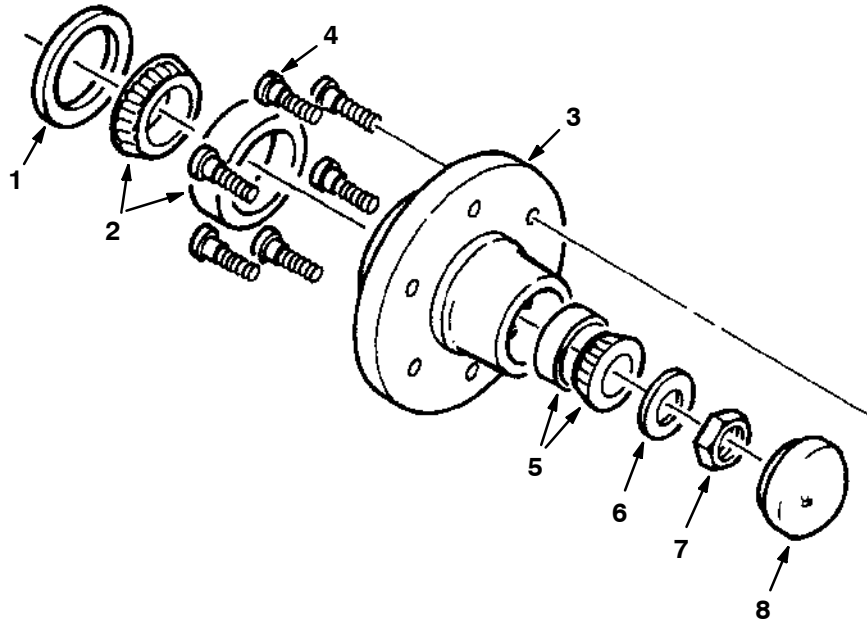
**Fig. 20 - Front and Rear Wheel Assembly**



00311 - 1550

Ref.	Part No.	Serial Number	Description	Qty.
▽	48891	(001000-	) Tire and Wheel Assembly	4
▲	1 79101	(001000-	) Rim, 16.5 X 6.75 5.5bc/6bolt	1
▲	2 75365	(001000-	) Valve, Tire, Air	1
▲	3 48888	(001000-	) Tire	1
	4 24339	(001000-	) Nut, Wheel	24

Fig. 21 - Rear Axle Group



00311 - 1550

Ref.	Part No.	Serial Number	Description	Qty.
1	75072-5	(001000-	) Seal, Inner Wheel Bearing	2
2	75073	(001000-	) Bearing Assembly, Cup and Cone	2
▽ 3	75072-1	(001000-	) Hub Assembly	2
▲ 4	32126	(001000-	) Stud, Wheel	6
5	75075	(001000-	) Bearing Assembly, Cup and Cone	2
6	31705	(001000-	) Washer, Flat	2
7	41112	(001000-	) Nut, Slotted	2
8	57567	(001000-	) Cap, Hub Dust	2

**Fig. 22 - Front Wheel Drive Group**

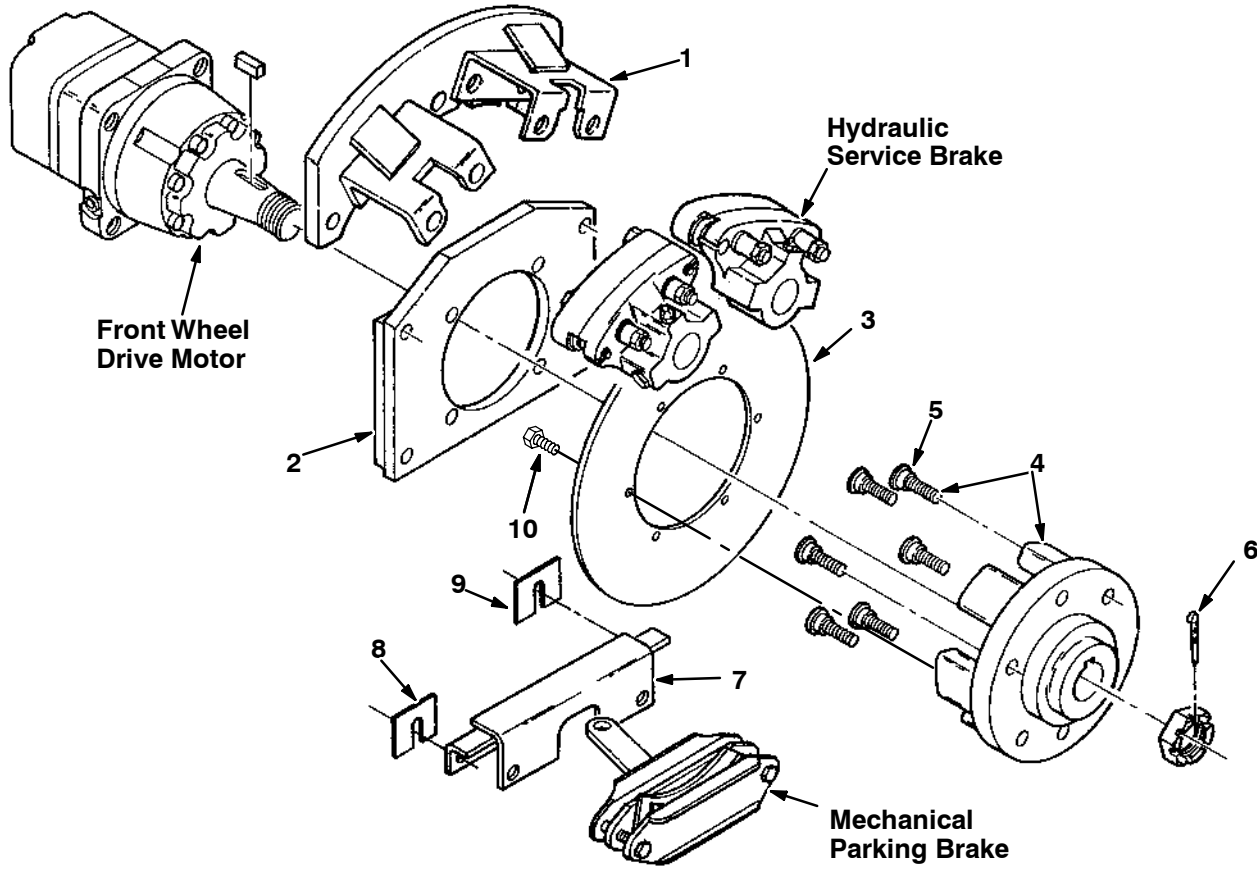


Fig. 22 - Front Wheel Drive Group

Ref.	Part No.	Serial Number	Description	Qty.
1	61649	(001000-	) Plate, Brake Mounting, 1550	2
2	78191	(001000-	) Plate, Motor Mounting	2
3	78190	(001000-	) Disk, Brake	2
▽	4	76649	(001000-) Hub Assembly	2
▲	5	32126	(001000-) Stud	6
6	08329	(001000-	) Pin, Cotter	2
7	76539	(001000-	) Bracket, Brake	2
8	04210	(001000-	) Shim, 20 Ga.	4
9	04048	(001000-	) Shim, 16 Ga.	4
10	54397	(001000-	) Screw, Hex, .31-18 X 0.88, G5	6





Fig. 23 - Hydraulic Directional Pedal Group (001000-001103)

Ref.	Part No.	Serial Number	Description	Qty.
1	42240	(001000-001103 )	Pedal, Foot Speed	1
2	86029	(001000-001103 )	Nut, Nex, Thin	1
3	76823	(001000-001103 )	Stud	1
4	50493	(001000-001103 )	Ball Joint,	3
5	22134	(001000-001103 )	Pin, Roll	2
6	52789	(001000-001103 )	Link, Directional Control	2
7	22290	(001000-001103 )	Spring	2
8	47585	(001000-001103 )	Bearing, Flange	2
9	76821	(001000-001103 )	Shaft, Control	1
10	48887	(001000-001103 )	Link, Control	1
11	48879	(001000-001505 )	Angle, Spring Mounting	1
12	49681	(001000-001103 )	Spring, Pump Lever Centering	6
13	62702	(001000-001103 )	Arm, Pump Control	1
14	63282	(001000-001103 )	Ball Joint, Upper	1
15	14854	(001000-001103 )	Roll, Pin	1
16	48897	(001000-001103 )	Angle, Shock	1
17	50493	(001000-001505 )	Rod, End	2
18	62700	(001000-001018 )	Shock, Absorber	1
19	52508	(001000-001103 )	Washer, Wavy	1
20	25659	(001505-001018 )	Angle, Shock	1
21	46029	(001000-001103 )	Pin, Roll	2
22	65935	(001019-001103 )	Angle, Shock Mount	1
23	62700	(001019-001103 )	Shock, Absorber	1
24	50493	(001019-001103 )	Rod, End	4
25	65942	(001019-001103 )	Rod, Shock	1
26	65941	(001019-001103 )	Spacer	1
27	65936	(001019-001103 )	Belcrank	1
28	76390	(001019-001103 )	Sleeve	1
29	41016	(001019-001103 )	Clamp, Cable	1
30	65939	(001019-001103 )	Strap, Adjuster	1
31	65934	(001019-001103 )	Angle, Shock	1
32	49681	(001019-001103 )	Spring, Pump Lever Centering	8
33	65940	(001019-001103 )	Spacer, Spring	2

# STANDARD PARTS

Fig. 24 - Hydraulic Directional Pedal Group, Gas/LPG (001104- )

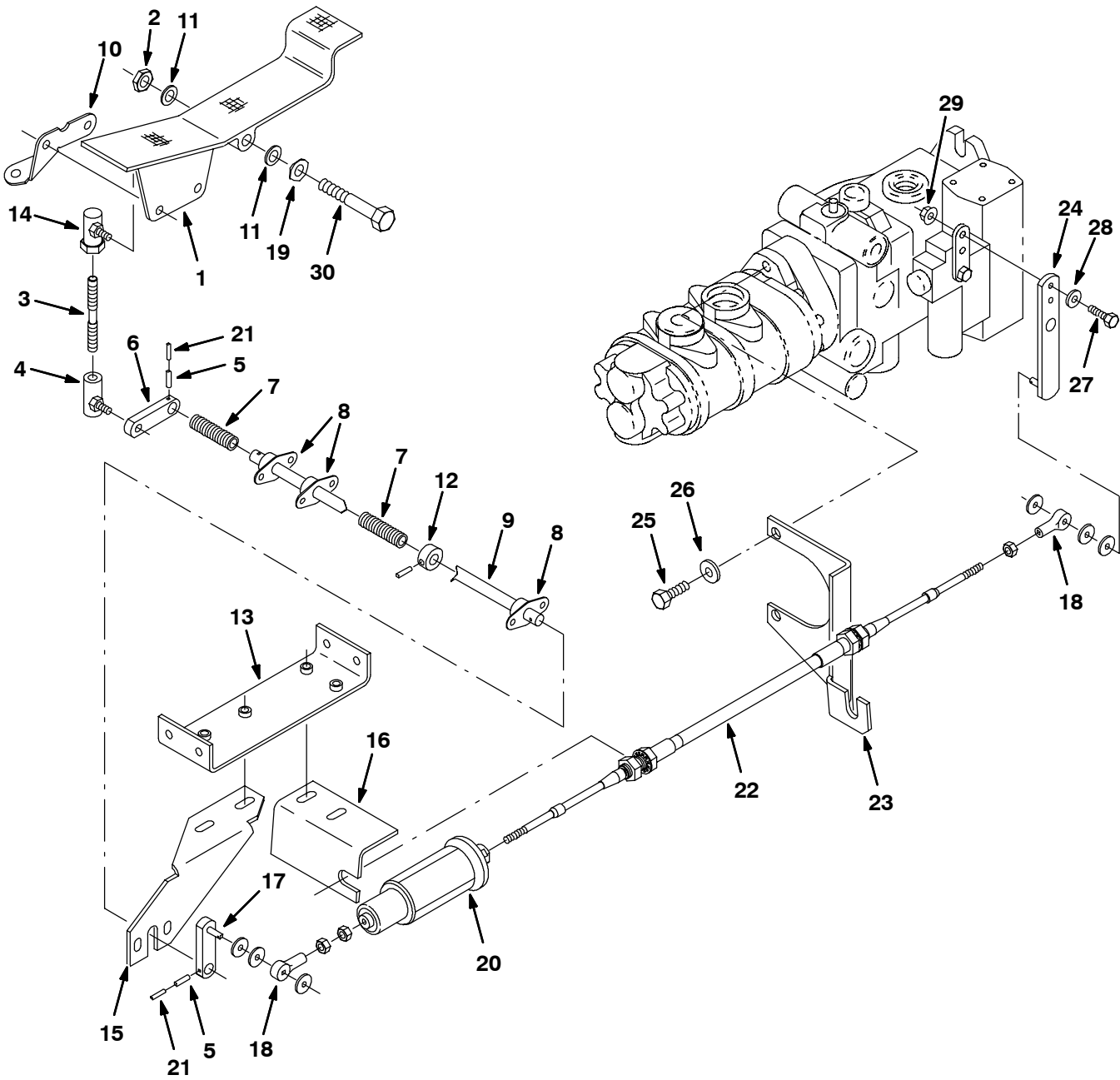
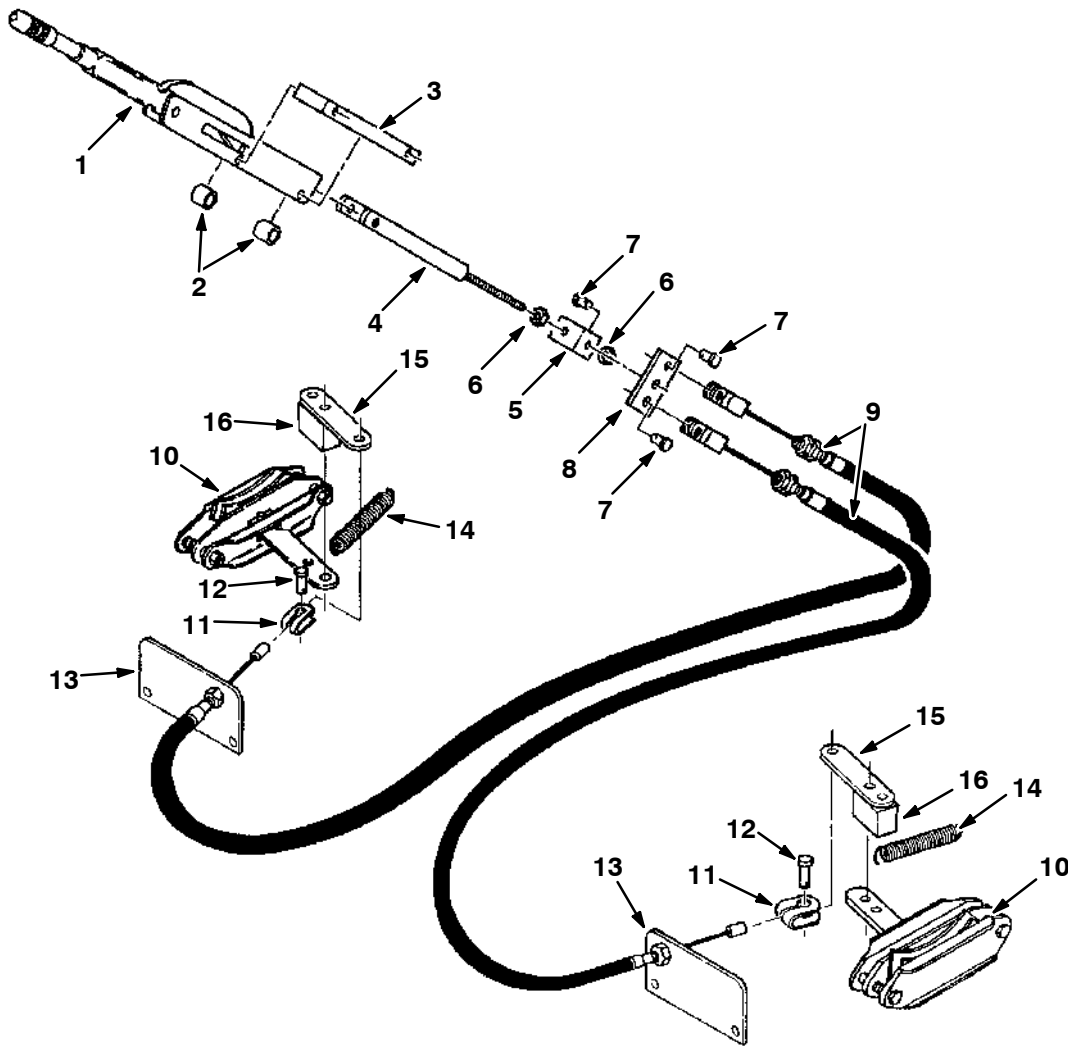


Fig. 24 - Hydraulic Directional Pedal Group, Gas/LPG (001104- )

Ref.	Part No.	Serial Number	Description	Qty.
1	42240	(001104-	) Pedal, Foot Speed	1
2	86029	(001104-	) Nut, Nex, Thin	1
3	79074	(001104-	) Stud	1
4	50493	(001104-	) Ball Joint	1
5	22134	(001104-	) Pin, Roll	2
6	52789	(001104-	) Link, Directional Control	1
7	22290	(001104-	) Spring	2
8	47585	(001104-	) Bearing, Flange	3
9	79067	(001104-	) Shaft, Control	1
10	79066	(001104-	) Bracket, Stop	1
11	59633	(001104-	) Bearing, Thrust	1
12	75371	(001104-	) Collor, Locking	1
13	79068	(001104-	) Bracket, Main	1
14	63282	(001104-	) Ball Joint, Upper	1
15	79069	(001104-	) Bracket, Mtg, Bearing	1
16	79070	(001104-	) Bracket, Cable	1
17	79077	(001104-	) Link, Direct Control	1
18	68866	(001104-	) Rod End	2
19	52508	(001104-	) Washer, Wavy	1
20	63292	(001104-	) Spring, Propel, Centering	1
21	46029	(001104-	) Pin, Roll	2
22	79080	(001104-	) Cable, Push-Pull	1
23	1015338	(001104-	) Bracket, Cable & Alarm	1
24	79073	(001104-001109	) Lever, Pump	1
24	79114	(001110-	) Lever, Pump	1
25	46559	(001104-	) Screw, Hex, .38-16 X 1.25. NI	2
26	32485	(001104-	) Washer, Flt, .38 Sae	2
27	25046	(001104-	) Screw, Hex, .25-20 X 1.00	2
28	32483	(001104-	) Washer, Flt, .25 Sae	2
29	27978	(001104-	) Nut, Hex, Flng, .25-20	2
30	32895	(001104-	) Screw, Hex, .50-13 X 3.50, 5	1

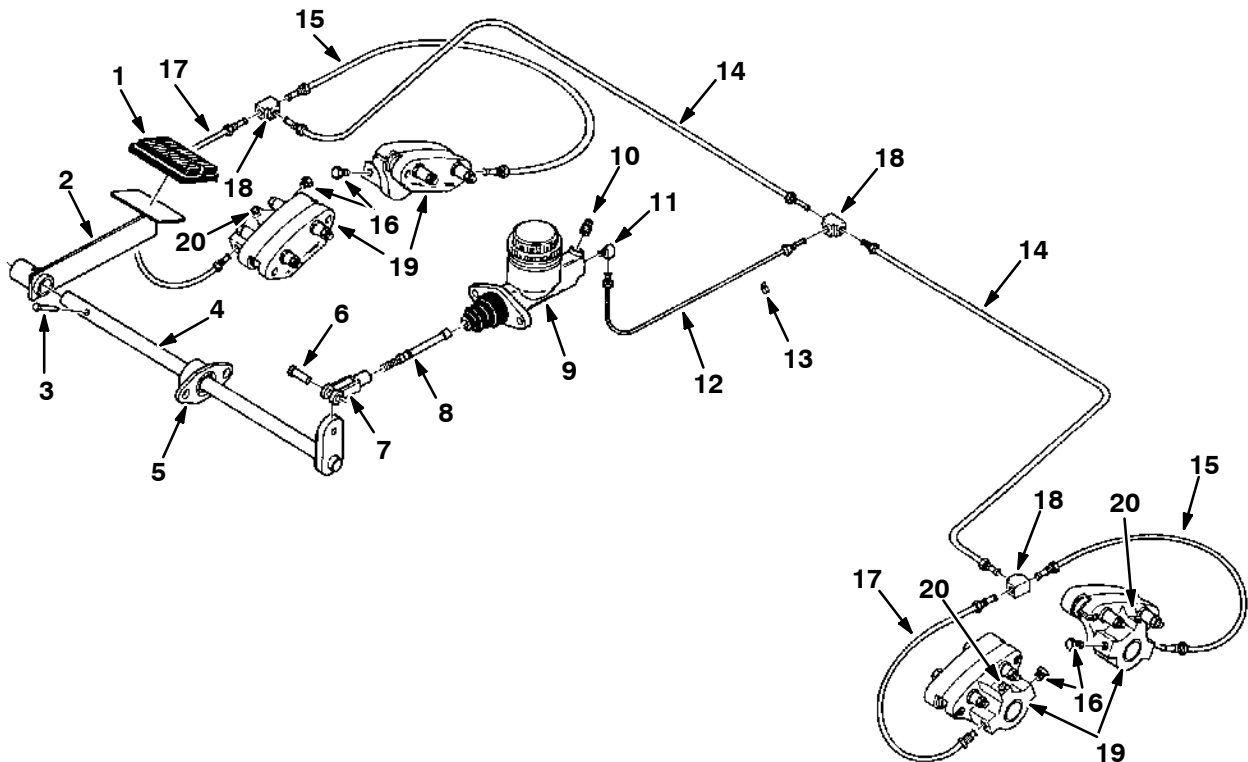
**Fig. 25 - Front Wheel Parking Brake Group**



06952/06953 - 1550

Ref.	Part No.	Serial Number	Description	Qty.	
1	51545	(001000-	) Lever, Parking	1	
2	51562	(001000-	) Sleeve, Brake Lever	2	
3	76816	(001000-	) Spacer, Brake	1	
4	76903	(001000-	) Rod, Adjustment	1	
5	76904	(001000-	) Angle, Brake Adjustment	1	
6	25014	(001000-	) Nut, Adjustment	2	
7	10120	(001000-	) Pin, Clevis	3	
8	40354	(001000-	) Strip	1	
9	32477	(001000-	) Cable Assembly, Brake, Separate Spring	2	
▽	10	75368	(001000-	) Brake, Mechanical	2
▲	SK2223	(001000-	) Repair Kit, Brake Pad	1	
11	75369	(001000-	) Clevis, Brake Cable	2	
12	09088	(001000-	) Pin, Clevis	2	
13	61258	(001000-	) Bracket, Brake Cable	2	
14	50304	(001000-	) Spring, Brake Cable	2	
15	75535	(001000-	) Arm, Brake	2	
16	61639	(001000-	) Spacer, Brake Arm	2	

Fig. 26 - Brakes Group

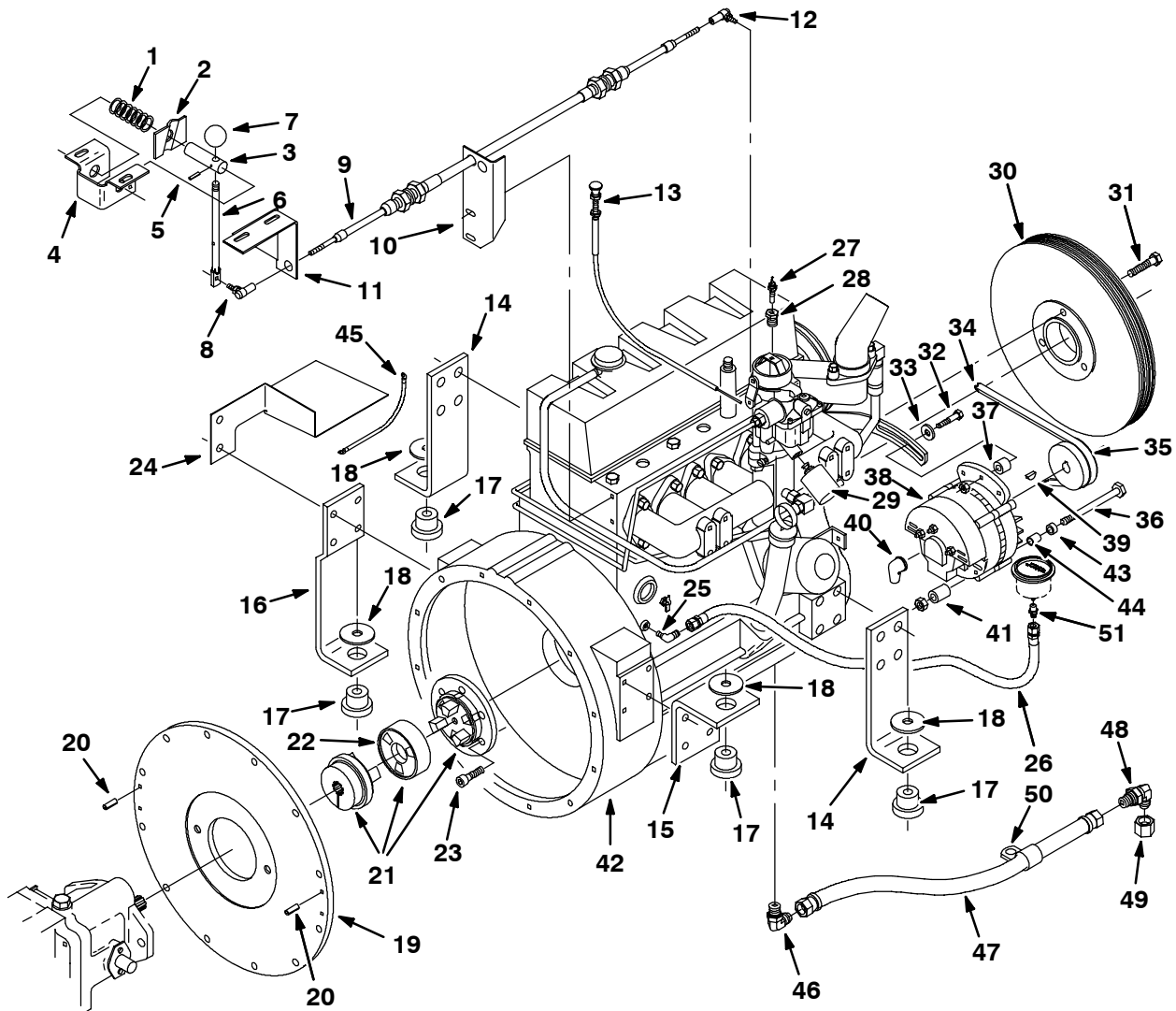


00105 - 550E, 1550

Ref.	Part No.	Serial Number	Description	Qty.	
1	51109	(001000-	) Pad, Brake	1	
2	75249	(001000-	) Pedal, Brake	1	
3	26315	(001000-	) Pin, Roll	1	
4	78080	(001000-	) Shaft, Brake	1	
5	26663	(001000-	) Bearing, Flange	1	
6	14331	(001000-	) Pin, Clevis	1	
7	14330	(001000-	) Clevis, Adjustable	1	
8	52163	(001000-	) Rod, Brake, Push	1	
▽	9	64950	(001000-	) Cylinder, Master Brake	1
▲	374240	(001000-	) Cap, Cyl Assy, Master Brake	1	
10	48126	(001000-	) Plug	1	
11	53078	(001000-	) Elbow	1	
12	76058	(001000-	) Tube, Brake Line	1	
13	46236	(001000-	) Clamp, Tube	4	
14	76059	(001000-	) Tube, Brake Line	2	
15	06843	(001000-	) Tube, Brake Line, R.H.	2	
16	76087	(001000-	) Fitting, Plug	4	
17	06844	(001000-	) Tube, Brake Line, L.H.	2	
18	53079	(001000-	) Tee	3	
▽	19	75285	(001000-	) Brake Assembly, Hydraulic	4
▲	SK2222	(001000-	) Repair Kit, Brake	1	
▲	20	37524	(001000-	) Screw, Bleeder	1

# STANDARD PARTS

Fig. 27 - Engine Group, Gas (001000-001423)



06190 - 550, 1550

Ref.	Part No.	Serial Number	Description	Qty.
▽	52049	(001000-001423 )	Control Assembly, Throttle	1
▲	1 51693	(001000-001423 )	Spring, Compression	1
▲	2 51691	(001000-001423 )	Plate, Throttle	1
▲	3 51692	(001000-001423 )	Pin, Pivot	1
▲	4 51689	(001000-001423 )	Bracket, Throttle	1
▲	5 20021	(001000-001423 )	Pin, Roll	1
▲	6 51690	(001000-001423 )	Lever, Throttle	1
▲	7 26565	(001000-001423 )	Knob	1
8	14601	(001000-001423 )	Ball Joint	1
9	69494	(001000-001423 )	Cable Assembly, Push-Pull	1
10	25218	(001000-001423 )	Angle, Cable	1
11	25217	(001000-001423 )	Bracket, Throttle	1
12	14601	(001000-001423 )	Ball Joint	1
13	76560	(001000-001423 )	Cable, Choke	1
14	16490	(001000-001423 )	Bracket, Engine Mounting	2
15	76602	(001000-001423 )	Bracket, Mounting Engine	1

Fig. 27 - Engine Group, Gas (001000-001423)

Ref.	Part No.	Serial Number	Description	Qty.	
16	76544	(001000-001423 )	Bracket, Mounting Engine	1	
17	51176	(001000-001423 )	Dampner, Engine	4	
18	51564	(001000-001423 )	Washer	4	
19	76290	(001000-001423 )	Plate, Pump Mounting	1	
20	23999-8	(001000-001423 )	Pin, Roll	2	
▽	21	78068	(001000-001423 )	Coupling Assembly, Drive	1
▲	22	76291	(001000-001423 )	Insert, Drive	1
	23	41358	(001000-001423 )	Screw, Socket, M10	6
	24	25180	(001000-001423 )	Shield, Starter	1
	25	06507	(001000-001423 )	Fitting, Elbow	1
	26	32552	(001000-001423 )	Hose	1
	27	78005-2	(001000-001423 )	Sending Unit, Temperature	1
	28	78170	(001000-001423 )	Fitting, Straight	1
	29	34805	(001000-001423 )	Solenoid, Anti-Runon	1
	30	391800	(001000-001423 )	Sheave	1
	31	39284	(001000-001423 )	Screw, Hex, M10	3
	32	41342	(001000-001423 )	Screw, Hex, M8	1
	33	41186	(001000-001423 )	Washer, Belleville	1
	34	34194	(001000-001423 )	V-Belt	1
	35	34833	(001000-001423 )	Pulley, Alternator	1
	36	34877	(001000-001423 )	Screw, Hex, M10	1
	37	08892	(001000-001423 )	Sleeve	1
▽	38	03233	(001000-001423 )	Alternator	1
▲		61516	(001000-001423 )	Brush Assembly	2
▲		86041	(001000-001423 )	Bearing, Ball, 0.67b 1.57d 0.47w	1
▲		61517	(001000-001423 )	Regulator, Voltage	1
▲	39	00500-5	(001000-001423 )	Key, Woodruff	1
	40	34065	(001000-001423 )	Boot, Electric	1
	41	08891	(001000-001423 )	Sleeve	1
	42	61696	(001000-001057 )	Engine, Gasoline, TM27 (Replaced by 65947) (See Continental Engine Breakdown, Gasoline, LPG)	1
	42	65947	(001058-001423 )	Engine, Gasoline, TM27 (See Continental Engine Breakdown, Gasoline, LPG)	1
	43	36417	(001000-001423 )	Sleeve	1
	44	57311	(001000-001423 )	Bushing	1
	45	29832-7	(001000-001423 )	Cable, Grounding	1
	46	49934	(001000-001423 )	Fitting, Elbow	1
	47	76762	(001000-001423 )	Hose	1
	48	57075	(001000-001423 )	Fitting, Elbow	1
	49	40625	(001000-001423 )	Fitting, Cap	1
	50	82829	(001000-001423 )	Clamp, Hose Support	1
	51	11979	(001127-001423 )	Fitting, Straight, Brass	1

**Fig. 28 - Engine Group, Gas/LPG (001424-001505)**

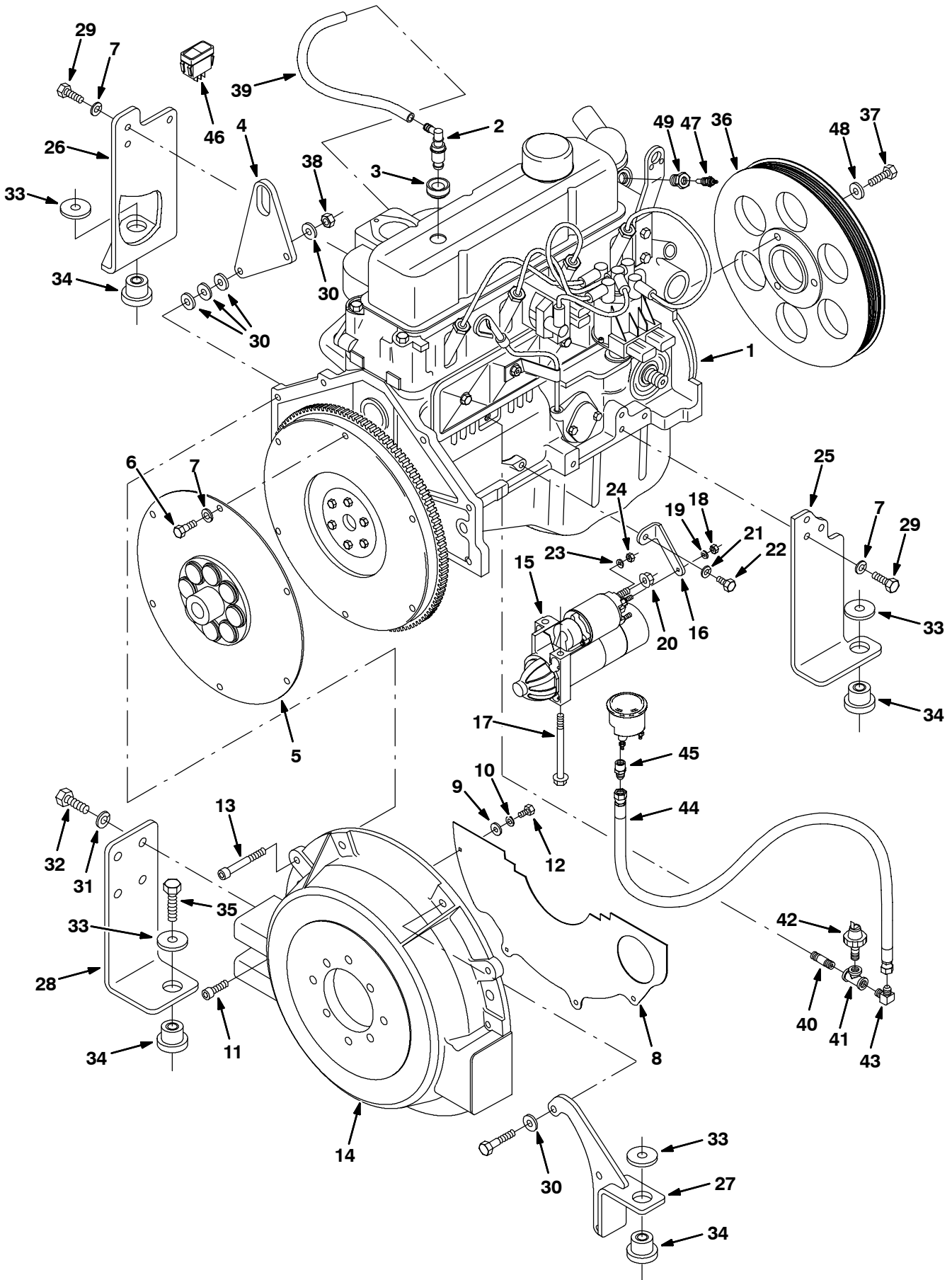




Fig. 28 - Engine Group, Gas/LPG (001424-001505)

Ref.	Part No.	Serial Number	Description	Qty.
1	393968	(001424-001505 )	Engine,, 3.0 Liter, Gas/Lpg (See GM Engine Breakdown, Gasoline, LPG)	1
2	393975	(001424-001505 )	Valve, [Pcv]	1
3	393984	(001424-001505 )	Grommet	1
4	393985	(001424-001505 )	Eye, Lift	1
5	371507	(001424-001505 )	Plate, Drive	1
6	371508	(001424-001505 )	Bolt, Clutch	6
7	371509	(001424-001505 )	Washer, Lock, .38	11
8	371511	(001424-001505 )	Plate, Hsng	1
9	32483	(001424-001505 )	Washer, Flt, .25 Sae	4
10	371512	(001424-001505 )	Washer, Lock, .25	4
11	10831	(001424-001505 )	Screw, Soc, .38-16 X 1.25, Al	1
12	19315	(001424-001505 )	Screw, Hex, .25-20 X 0.50, 5	4
13	371513	(001424-001505 )	Screw, Soc, .38-16 X 3.0	2
14	371514	(001424-001505 )	Housing, Flywheel	1
15	371516	(001424-001505 )	Starter	1
16	371517	(001424-001505 )	Bracket, Starter	1
17	371518	(001424-001505 )	Bolt, Starter	1
18	50335	(001424-001505 )	Nut, Hex, Std, M05 X 0.8	2
19	371519	(001424-001505 )	Washer, Loc, M5	1
20	07791	(001424-001505 )	Nut, Hex, Flng, M08 X 1.25	1
21	393994	(001424-001505 )	Washer, Lock, .31	1
22	54396	(001424-001505 )	Screw, Hex, .31-18 X 0.75, 5	1
23	371520	(001424-001505 )	Washer, Lock, #10	1
24	19311	(001424-001505 )	Nut, Hex, Std, #10-24	1
25	371549	(001424-001505 )	Mount, Engine, Rear, Left	1
26	371550	(001424-001505 )	Mount, Engine, Rear, Right	1
27	371551	(001424-001505 )	Mount, Engine, Front, Left	1
28	371552	(001424-001505 )	Mount, Engine, Front, Right	1
29	371553	(001424-001505 )	Screw, Hex, .38-16 X 1.0	4
30	32485	(001424-001505 )	Washer, Flt, .38 Sae	3
31	393978	(001424-001505 )	Washer, Lock, .50	4
32	371556	(001424-001505 )	Screw, Hex, .50-13 X 1.50	4
33	51564	(001424-001505 )	Washer, 0.53b 1.75d .12, Stl, Pl	4
34	51176	(001424-001505 )	Dampener, Eng	4
35	48665	(001424-001505 )	Screw, Hex, .50-13 X 2.00, NI	4
36	391800	(001424-001505 )	Sheave, [Poly-V], 12.6d, 8grv, 2.50b	1
37	39284	(001424-001505 )	Screw, Hex, M10 X 1.5 X 35, 8.8	3
38	25014	(001424-001505 )	Nut, Hex, Std, .38-16	1
39	393973	(001424-001505 )	Hose, [Pcv]	1
40	48144	(001424-001505 )	Fitting, Pipe, Str, Pm04/Pm04 01.5l,Blk	1
41	22309	(001424-001505 )	Fitting, Pipe, Tee, Pf02/Pf02/Pf02,Blk	1
42	371572	(001424-001505 )	Solenoid, Tubular, 1"Pull 36vdc	1
43	06507	(001424-001505 )	Fitting, Brs, E90, Pm02/Sm04	1
44	32552	(001424-001505 )	Hose, Lpg, Med04, Jf04str/Jf04str, 48.0l	1
45	11979	(001424-001505 )	Fitting, Brs, Str, Pm02/Sm04	1
46	371580	(001424-001505 )	Switch, Speed, Eng	1
47	78005-2	(001424-001505 )	Send-unit, Water, Temperature, .12npt	1
48	32492	(001424-001505 )	Washer, Flt, .38 Std	3
49	78170	(001424-001505 )	Fitting, Hyd, Str, Pm08/Pf02	1

**Fig. 29 - Engine Group, Gas/LPG (001508- )**

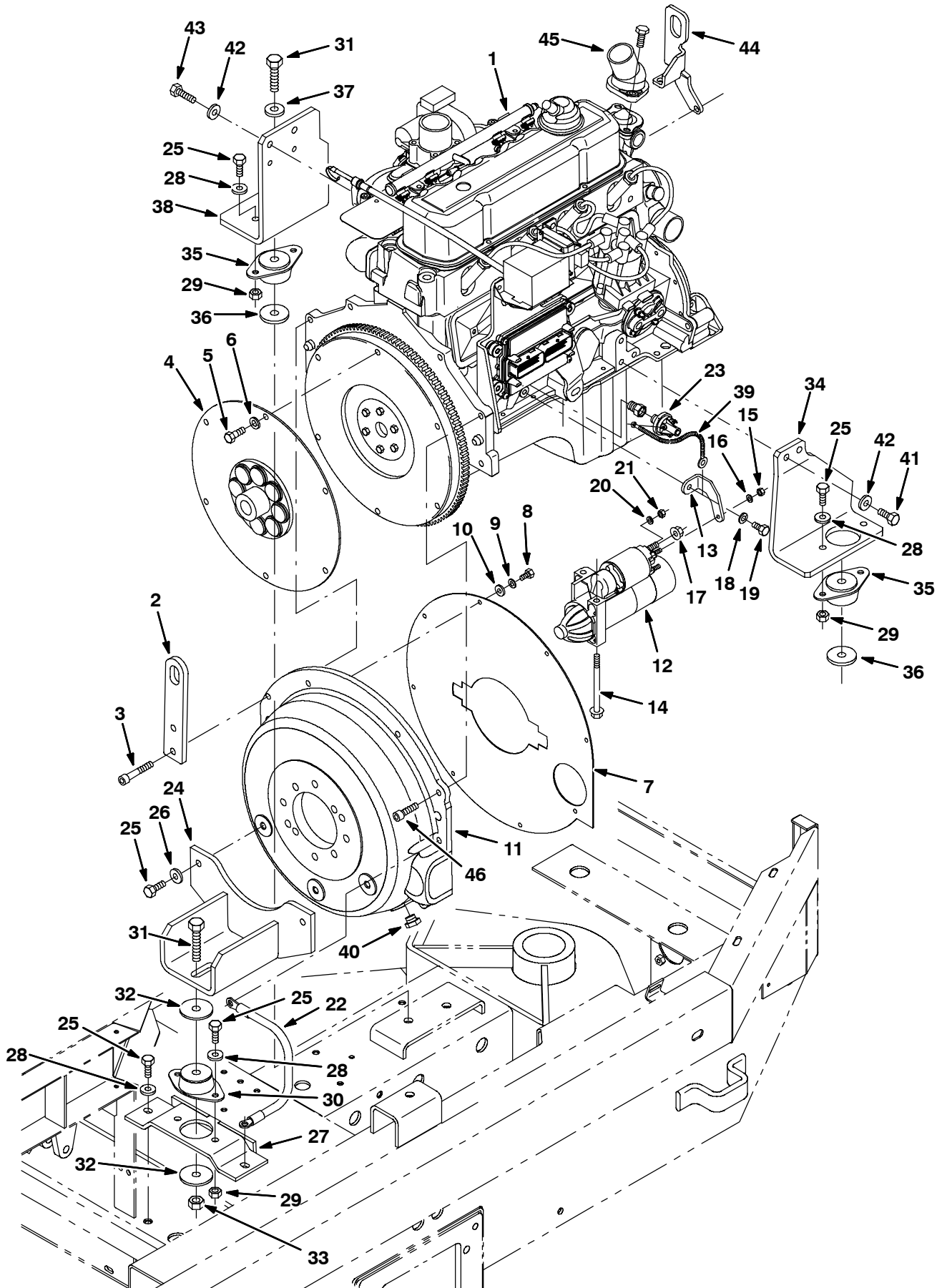


Fig. 29 - Engine Group, Gas/LPG (001508- )

Ref.	Part No.	Serial Number	Description	Qty.
1	1012719	(001508-001537 )	Engine Assy, Gas, Clsd Loop [Gm, 3.0l] (See GM Engine Breakdown, Gasoline, LPG))	1
1	1012720	(001508-001537 )	Engine Assy, Lpg, Clsd Loop [Gm, 3.0l] (See GM Engine Breakdown, Gasoline, LPG))	1
1	385019	(001538-	Engine, Block, Long [GM3.0L](See GM Engine Breakdown)	1
2	372457	(001508-001537 )	Bolt, Eye, Lift	1
2	1034105	(001538-	Hook, Lift [Gm3.0l 2007]	1
3	372479	(001508-	Screw, Soc, .38-16 X 2.25, G5	1
4	372456	(001508-	Plate, Drive	1
5	371508	(001508-	Bolt, Clutch	6
6	371509	(001508-	Washer, Lock, .38	6
7	371761	(001508-	Shield, Dust	1
8	19315	(001508-	Screw, Hex, .25-20 X 0.50, 5	8
9	371512	(001508-	Washer, Lock, .25	8
10	32483	(001508-	Washer, Flat, 0.25 Sae	8
11	372458	(001508-	Housing, Flywheel [3.0l]	1
12	371516	(001508-	Starter, 12vdc [Gm]	1
13	372473	(001508-	Bracket, Starter	1
14	371518	(001508-	Bolt, Starter	1
15	50335	(001508-	Nut, Hex, Std, M5 X 0.8, 8	1
16	371519	(001508-	Washer, Loc, M5	1
17	07791	(001508-	Nut, Hex, Flng, M8 X 1.25	1
18	393994	(001508-	Washer, Lock, .31	1
19	54396	(001508-	Screw, Hex, .31-18 X 0.75, 5	1
20	371520	(001508-	Washer, Lock, #10	1
21	19311	(001508-	Nut, Hex, Std, #10-24	1
22	57773	(001508-	Wire Assy, 06ga 13.0l Blk .41h/ .41h	1
23	372445	(001508-	Switch, Pressure, 7psi, Spdt	1
24	1014411	(001508-	Channel Wldt, Mtg, Eng, Rear	1
25	21197	(001508-	Screw, Hex, .38-16 X 1.00, 5	10
26	41187	(001508-	Washer, Belleville, .38	2
27	1014685	(001508-	Bracket Wldt, Mtg, Eng, Rear	1
28	32492	(001508-	Washer, Flat, 0.38 Std	8
29	50902	(001508-	Nut, Hex, Lock, .38-16, NI	8
30	63263	(001508-	Isolator, Vib, Flng, 1.3h .5b 2/.39h	1
31	48665	(001508-	Screw, Hex, .50-13 X 2.00, NI	3
32	57048	(001508-	Washer, Flat, 0.53b 2.13d .11, Stl, PI	2
33	32985	(001508-	Nut, Hex, Lock, .50-13, NI	1
34	1014972	(001508-	Mount, Eng, Rear, Lh	1
35	75768	(001508-	Isolator, Vib, Flng, 2.0h .5b 2/.41h	2
36	04414	(001508-	Washer, Flat, 0.53b 1.88d .12, Stl, PI	2
37	32493	(001508-	Washer, Flat, 0.50 Std	2
38	1014988	(001508-	Mount, Eng, Rear, Rh	1
39	372474	(001508-	Harness, Switch, Oil Press, Ground Wire	1
40	1018573	(001508-	Screw, Hex, .62-18 X 0.31	1
41	21198	(001508-	Screw, Hex, .38-16 X 1.25, G5	2
42	32491	(001508-	Washer, Flat, 0.31, Std	4
43	27991	(001508-	Screw, Hex, .38-16 X 2.25, G5	2
44	1029334	(001538-	Hook, Lift [Gm3.0l 2007]	1
45	1030272	(001538-	Housing, Thermostat [Gm3.0l 2007]	1
46	10831	(001508-	Screw, Soc, .38-16 X 1.25, AI	5

**Fig. 30 - Engine Alternator Group, Gas/LPG (001424-001505)**

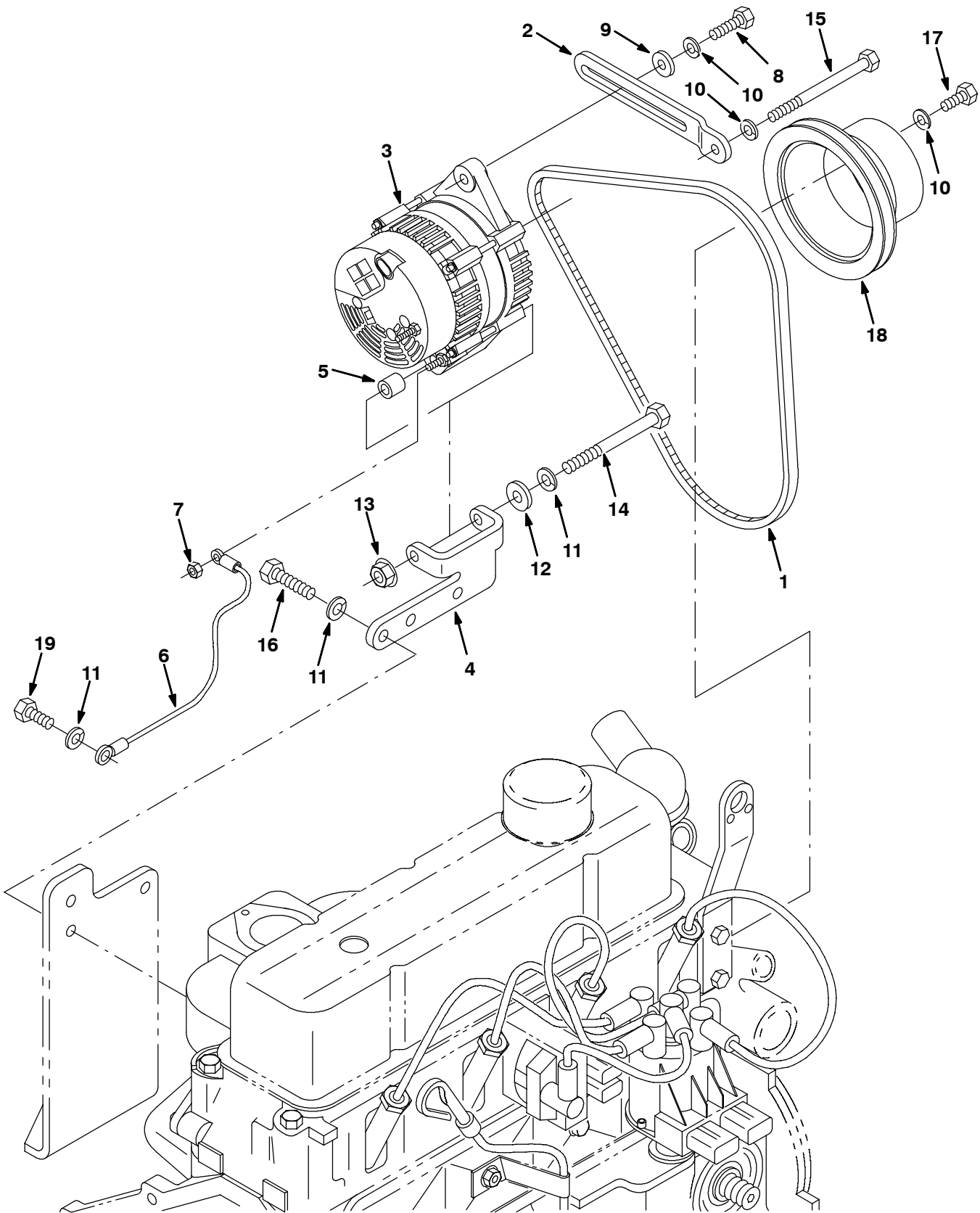


Fig. 30 - Engine Alternator Group, Gas/LPG (001424-001505)

Ref.	Part No.	Serial Number	Description	Qty.
1	371522	(001424-001505 )	Belt, Alternator	1
2	371523	(001424-001505 )	Strap, Alternator	1
3	371524	(001424-001505 )	Alternator	1
4	371525	(001424-001505 )	Bracket, Alternator	1
5	371526	(001424-001505 )	Sleeve, Alternator	1
6	371527	(001424-001505 )	Wire, Ground	1
7	41359	(001424-001505 )	Nut, Hex, Std, M06 X 1.0	1
8	76570	(001424-001505 )	Screw, Hex, M08 X 1.25 X 30, 8.8	1
9	32491	(001424-001505 )	Washer, Flt, .31 Std	1
10	393994	(001424-001505 )	Washer, Lock, .31	6
11	371509	(001424-001505 )	Washer, Lock, .38	4
12	32485	(001424-001505 )	Washer, Flt, .38 Sae	1
13	371528	(001424-001505 )	Nut, Flanged, .38-24	1
14	371529	(001424-001505 )	Screw, .38-24 X 4.0	1
15	371530	(001424-001505 )	Screw, M8-1.25 X 110	1
16	27988	(001424-001505 )	Screw, Hex, .38-16 X 1.50, 5	2
17	07592	(001424-001505 )	Screw, Hex, .31-24 X 0.75, 5	4
18	393998	(001424-001505 )	Pulley, Fan	1
19	21195	(001424-001505 )	Screw, Hex, .38-16 X 0.75, 5	1

Fig. 31 - Engine Alternator Group, Gas/LPG (001508-001537)

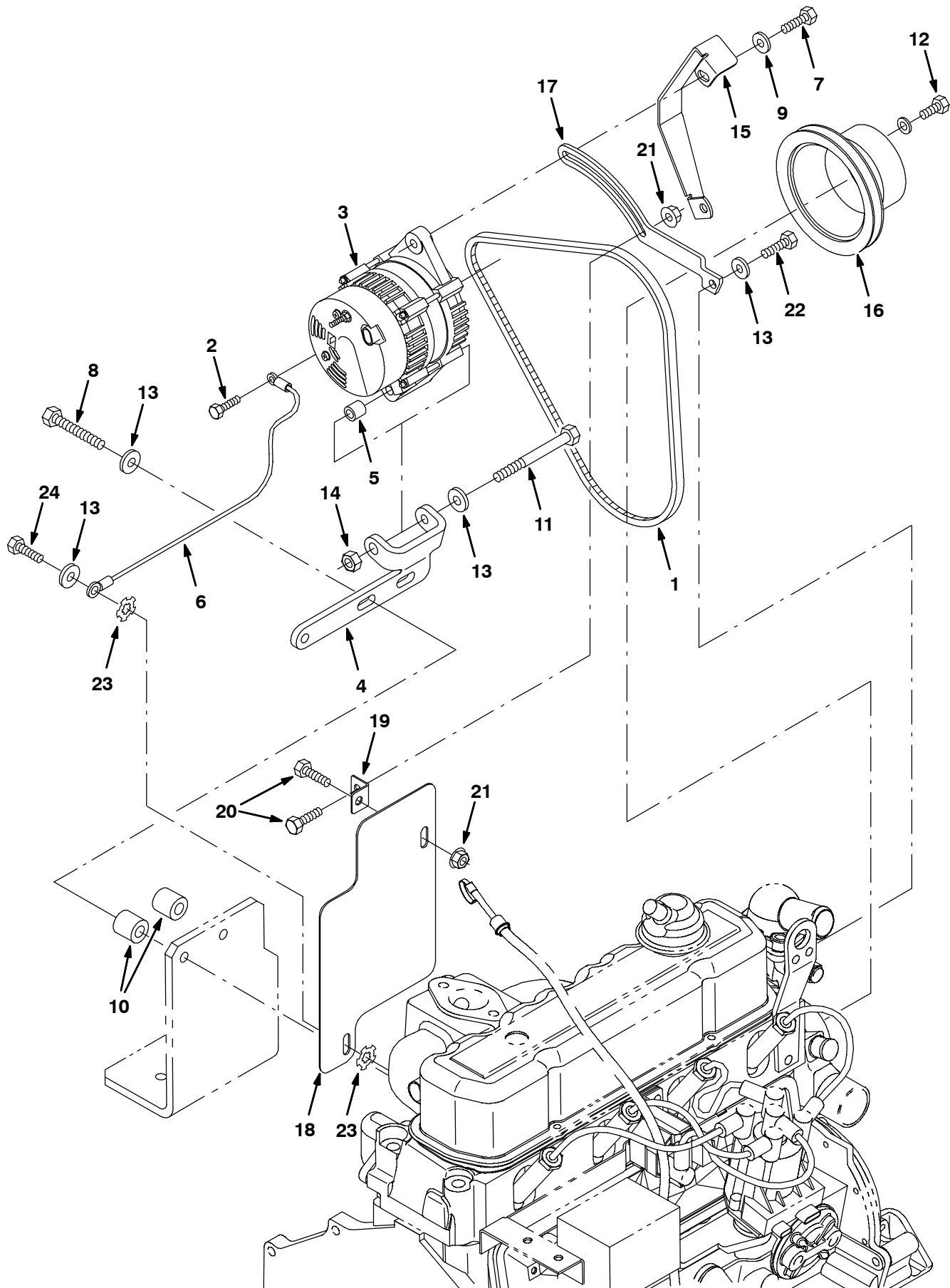


Fig. 31 - Engine Alternator Group, Gas/LPG (001508-001537)

Ref.	Part No.	Serial Number	Description	Qty.
1	393227	(001508-001537 )	Belt, V, 39.6l [3v, Hc41]	1
2	42011	(001508-001537 )	Screw, Hex, #10-24 X 0.50, Ss	1
3	392611	(001508-001537 )	Alternator, 12vdc, 075a [Valeo]	1
4	1008094	(001508-001537 )	Bracket, Alternator	1
5	371526	(001508-001537 )	Sleeve, Alternator	1
6	371527	(001508-001537 )	Wire, Ground	1
7	76955	(001508-001537 )	Screw, Hex, .31-18 X 1.00, 5	1
8	27991	(001508-001537 )	Screw, Hex, .38-16 X 2.25, 5	2
9	41186	(001508-001537 )	Washer, Belleville, .31	2
10	35756	(001508-001537 )	Tube, 01.00d 00.50b 01.0l Stl Pnt	2
11	20177	(001508-001537 )	Screw, Hex, .38-16 X 4.00, 5	1
12	07592	(001508-001537 )	Screw, Hex, .31-24 X 0.75, 5	4
13	32485	(001508-001537 )	Washer, Flat, .38 Sae	5
14	50902	(001508-001537 )	Nut, Hex, Lock, .38-16, NI	1
15	83581	(001508-001537 )	Guard, Belt, Alternator	1
16	393998	(001508-001537 )	Pulley, Fan	1
17	1007162	(001508-001537 )	Arm, Alternator	1
18	1008511	(001508-001537 )	Plate, Shield, Heat	1
19	1008513	(001508-001537 )	Angle, Heat, Shield	1
20	16735	(001508-001537 )	Screw, Hex, M8 X 1.25 X 16, 8.8	2
21	07791	(001508-001537 )	Nut, Hex, Flng, M8 X 1.25	2
22	21195	(001508-001537 )	Screw, Hex, .38-16 X 0.75, 5	1
23	41142	(001508-001537 )	Washer, Lock, Int-ext, .38	2
24	21197	(001508-001537 )	Screw, Hex, .38-16 X 1.00, 5	1

# STANDARD PARTS

Fig. 32 - Engine Alternator Group, Gas/LPG (001538- )

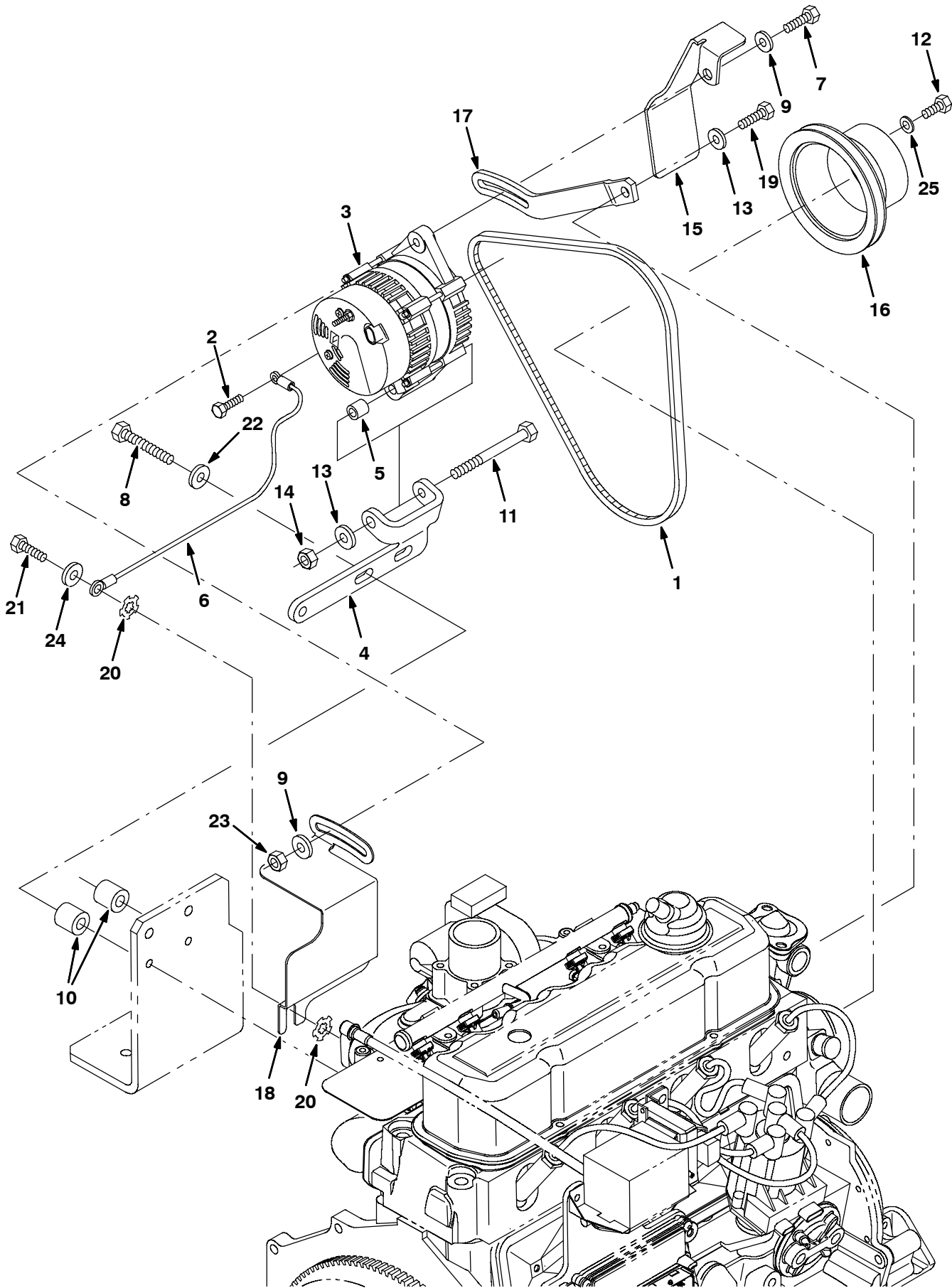




Fig. 32 - Engine Alternator Group, Gas/LPG (001538- )

Ref.	Part No.	Serial Number	Description	Qty.
1	393227	(001538-	) Belt, V, 39.6l [3v, Hc41]	1
2	42011	(001538-	) Screw, Hex, #10-24 X 0.50, Ss	1
3	392611	(001538-	) Alternator, 12vdc, 075a [Valeo]	1
4	1008094	(001538-	) Bracket, Alternator	1
5	371526	(001538-	) Sleeve, Alternator	1
6	371527	(001538-	) Wire, Ground	1
7	41686	(001538-	) Screw, Hex, .31-18 X 1.50, FI	1
8	27990	(001538-	) Screw, Hex, .38-16 X 2.00, G5	2
9	41186	(001538-	) Washer, Belleville, .31	2
10	35756	(001538-	) Tube, 01.00d 00.50b 01.0l Stl Pnt	2
11	20177	(001538-	) Screw, Hex, .38-16 X 4.00, 5	1
12	07592	(001538-	) Screw, Hex, .31-24 X 0.75, 5	4
13	32485	(001538-	) Washer, Flat, .38 Sae	5
14	50902	(001538-	) Nut, Hex, Lock, .38-16, NI	1
15	1008538	(001538-	) Bracket, Guard, Alternator, Hd [Gm3.0l]	1
16	393998	(001538-	) Pulley, Fan	1
17	1029649	(001538-	) Arm, Adjmt, Alternator	1
18	1030635	(001538-	) Shield, Heat, Alternator [2007]	1
19	21195	(001538-	) Screw, Hex, .38-16 X 0.75, 5	1
20	41142	(001538-	) Washer, Lock, Int-ext, .38	2
21	27989	(001538-	) Screw, Hex, .38-16 X 1.00, 5	1
22	32491	(001538-	) Washer, Flat, 0.31, Hardened	2
23	32983	(001538-	) Nut, Hex, Lock, .31-18, NI	1
24	32485	(001538-	) Washer, Flat, 0.38, Sae	1
25	371865	(001538-	) Washer, Flat, 0.31, Hardened	4

Fig. 33 - Engine EFI Group, Gas (001424-001505)

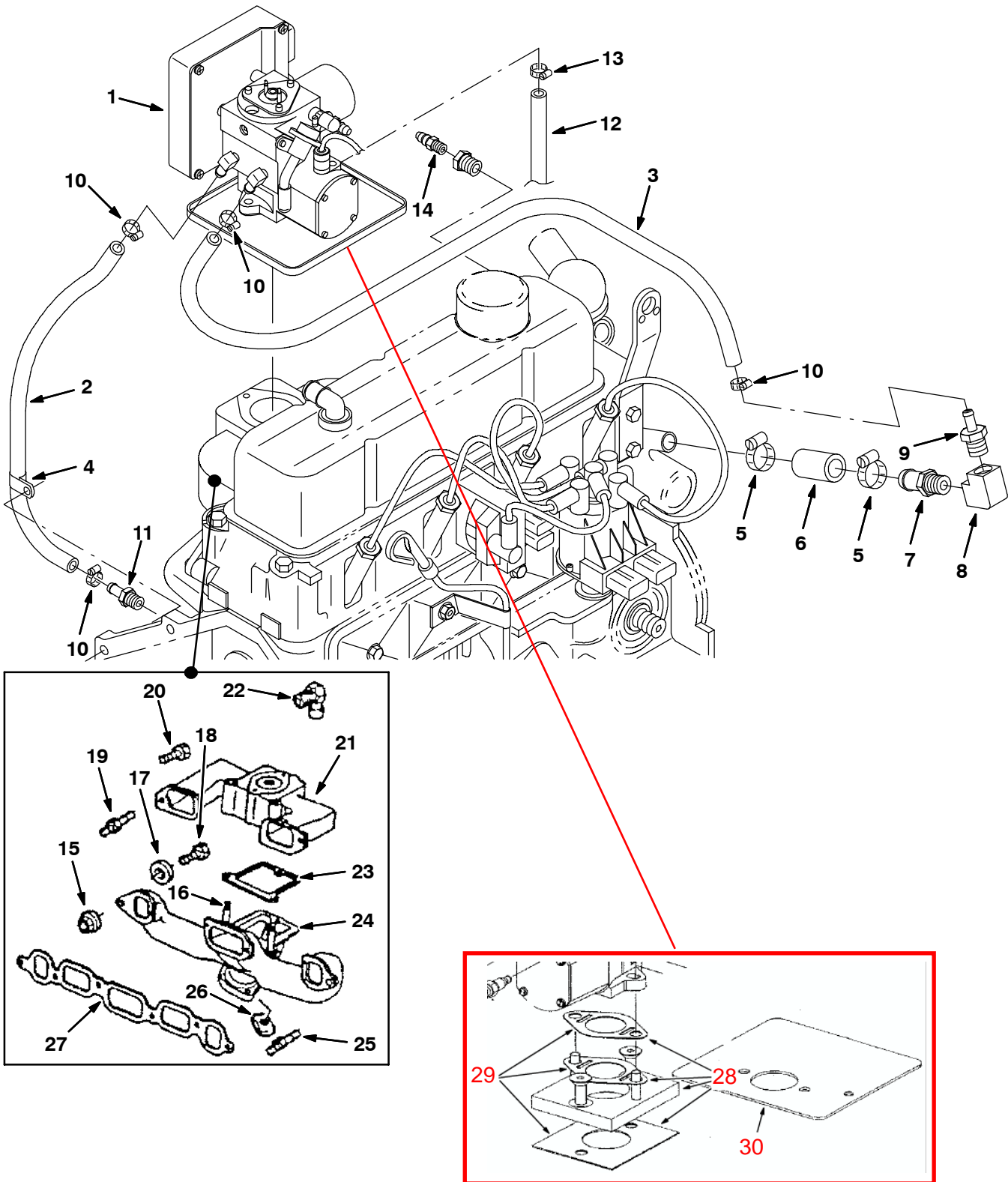


Fig. 33 - Engine EFI Group, Gas (001424-001505)

Ref.	Part No.	Serial Number	Description	Qty.
1	371645	(001424-001505 )	Housing Assy, Throttle, Gas, [With Ecu] (See Breakdowns)	1
2	371532	(001424-001505 )	Hose, Heater, .38id	1
3	371532	(001424-001505 )	Hose, Heater, .38id	1
4	371533	(001424-001505 )	Clamp, Tube	1
5	11399	(001424-001505 )	Clamp, Hose, Wormdrive, 1.56-2.50d	2
6	371534	(001424-001505 )	Hose, Water Heater	1
7	371535	(001424-001505 )	Fitting, Hose	1
8	371536	(001424-001505 )	Fitting, Elb	1
9	371537	(001424-001505 )	Fitting, Hose	1
10	371538	(001424-001505 )	Clamp, Hose, Wormdrive	4
11	371520	(001424-001505 )	Washer, Lock, #10	1
12	16387	(001424-001505 )	Hose, Fuel, 0.50id 52L	1
13	63810	(001424-001505 )	Clamp, Hose, Wormdrive, 0.56-1.06d, .56w	1
14	371764	(001424-001505 )	Sensor, Water Temp	1
15	393905	(001424-001505 )	Nut	8
16	393906	(001424-001505 )	Stud	2
17	393907	(001424-001505 )	Washer	-
18	393898	(001424-001505 )	Bolt	3
19	393908	(001424-001505 )	Stud	1
20	393909	(001424-001505 )	Bolt	-
21	393910	(001424-001505 )	Manifold, Intake	1
22	393911	(001424-001505 )	Fitting	1
23	393912	(001424-001505 )	Gasket	1
24	393913	(001424-001505 )	Manifold, Exhaust	1
25	393914	(001424-001505 )	Stud	2
26	393915	(001424-001505 )	Clamp	4
27	393916	(001424-001505 )	Gasket	1

these parts are NOT included in #1;

- 28 371646 Kit, Adaptor
- 29 371647 Kit, Gasket (part of #28)
- 30 371658 Shield, Heat

**Fig. 34 - Engine EFI Group, Gas (001508-001537)**

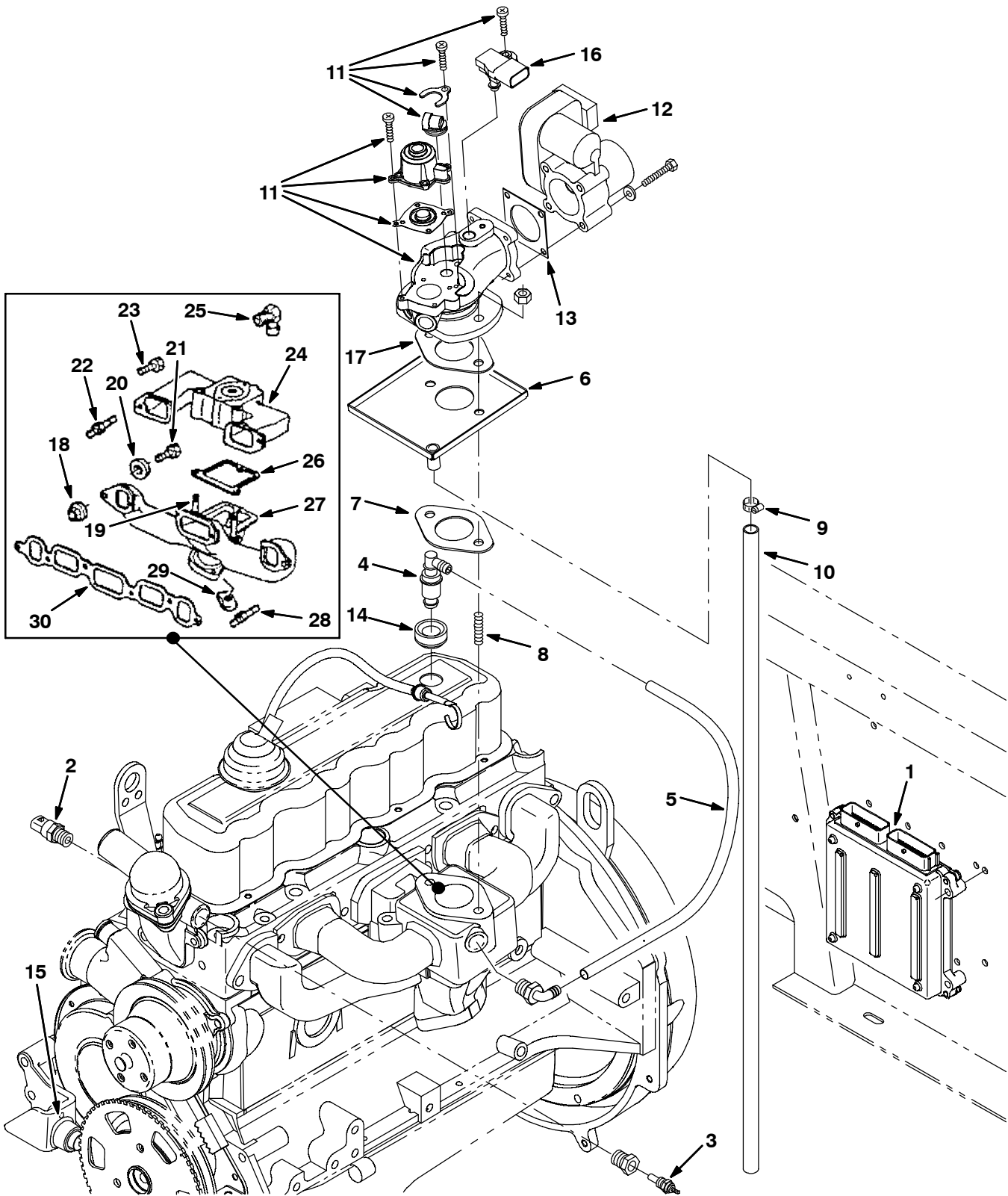


Fig. 34 - Engine EFI Group, Gas (001508-001537)

Ref.	Part No.	Serial Number	Description	Qty.	
1	372860	(001508-001537 )	Module, Ecu, Gas [GM 3.0]	1	
2	372891	(001508-001537 )	Sensor, Temp, Coolant	1	
3	372472	(001508-001537 )	Sensor, Temp	1	
4	372483	(001508-001537 )	Valve, [Pcv]	1	
5	372489	(001508-001537 )	Hose, 9.5mm X 450mm [Pcv]	1	
6	1013350	(001508-001537 )	Tray Wldt, Drip, Gas [3.0]	1	
7	372490	(001508-001537 )	Gasket, Carb	1	
8	372466	(001508-001537 )	Stud, .38-16 X 1.2l	2	
9	63810	(001508-001537 )	Clamp, Hose, Wormdrive, 0.50-1.06d, 56w	1	
10	16387	(001508-001537 )	Hose, Fuel, 0.50id 52.0l	1	
▽	11	372488	(001508-001537 )	Housing Assy, Throttle, Gas	1
▲	12	372482	(001508-001537 )	Housing, Throttle, 40mm [Bosch]	1
▲	13	372545	(001508-001537 )	Gasket, Body, Throttle [1.6]	1
	14	393984	(001508-001537 )	Grommet	1
	15	372492	(001508-001537 )	Sensor, Speed, Timing Wheel [3.0]	1
	16	372493	(001508-001537 )	Sensor, [Tmap]	1
	17	372490	(001508-001537 )	Gasket, Carb	1
	18	393905	(001508-001537 )	Nut	8
	19	393906	(001508-001537 )	Stud	2
	20	393907	(001508-001537 )	Washer	-
	21	393898	(001508-001537 )	Bolt	3
	22	393908	(001508-001537 )	Stud	1
	23	393909	(001508-001537 )	Bolt	-
	24	393910	(001508-001537 )	Manifold, Intake	1
	25	393911	(001508-001537 )	Fitting	1
	26	393912	(001508-001537 )	Gasket	1
	27	393913	(001508-001537 )	Manifold, Exhaust	1
	28	393914	(001508-001537 )	Stud	2
	29	393915	(001508-001537 )	Clamp	4
	30	393916	(001508-001537 )	Gasket	1

**Fig. 35 - Engine EFI Group, Gas (001538- )**

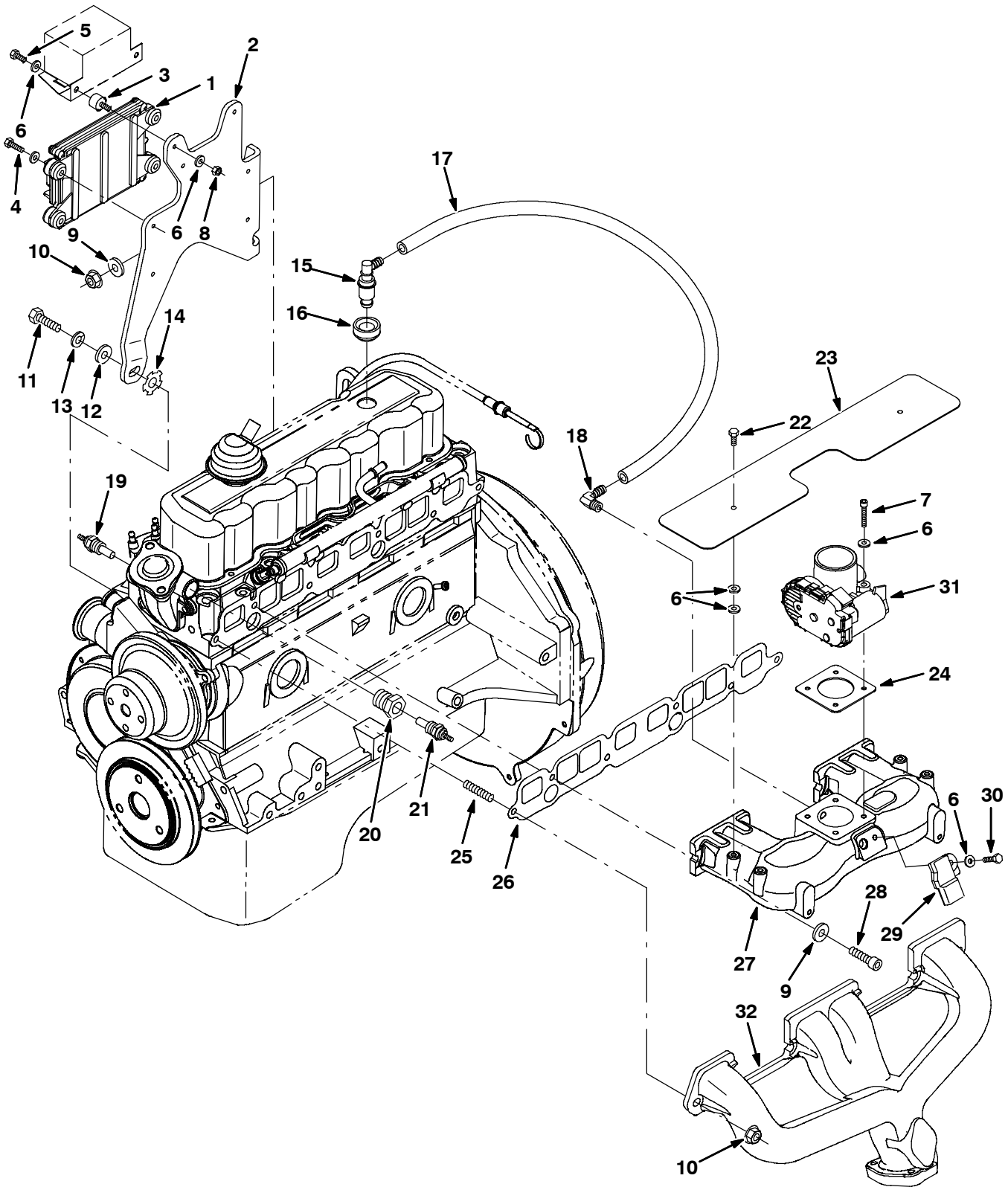


Fig. 35 - Engine EFI Group, Gas (001538- )

Ref.	Part No.	Serial Number	Description	Qty.
1	1032804	(001538-	) Module, Ecu, Gas [Gm3.0l 2007]	1
2	385008	(001538-	) Bracket, Box, Relay	1
3	372470	(001538-	) Isolator, Box, Relay	2
4	25047	(001538-	) Screw, Hex, .25-20 X 1.25, G5	4
5	19315	(001538-	) Screw, Hex, .25-20 X 0.50, G5	2
6	32490	(001538-	) Washer, Flat, 0.25, Std	13
7	06948	(001538-	) Screw, Hex, M6 X 1.0 X 45, 8.8	4
8	19312	(001538-	) Nut, Hex, Std, .25-20	2
9	371877	(001538-	) Washer, Flat, 0.38, Hardened	5
10	27980	(001538-	) Nut, Hex, Flng, .38-16	3
11	371553	(001538-	) Screw, .38-16 X 1.00	1
12	371877	(001538-	) Washer, Flat, 0.38, Hardened	1
13	371509	(001538-	) Washer, Lock, 0.38	1
14	371875	(001538-	) Washer, Lock, Int / Ext, 0.38	1
15	372483	(001538-	) Valve [Pcv]	1
16	393984	(001538-	) Grommet	1
17	385001	(001538-	) Hose, Fuel, .38d, Rbr	1
18	385002	(001538-	) Fitting, E90	1
19	371764	(001538-	) Sensor, Temp, Coolant	1
20	385000	(001538-	) Fitting, Bshg	1
21	372472	(001538-	) Sensor, Temp	1
22	385007	(001538-	) Screw, M6 X 10mm	2
23	385006	(001538-	) Shield, Heat, Manifold	1
24	372545	(001538-	) Gasket, Body, Throttle [1.6]	1
25	372466	(001538-	) Stud, .38-16 X 1.2l	2
26	385003	(001538-	) Gasket, Manifold, Intake	1
27	385004	(001538-	) Manifold, Intake [2007]	1
28	10830	(001538-	) Screw, Soc, .38-16 X 1.00, Al	4
29	384985	(001538-	) Sensor [T Map]	1
30	19317	(001538-	) Screw, Hex, .25-20 X 0.75, G5	1
31	384974	(001538-	) Housing, Throttle, 40mm [Bosch]	1
32	385005	(001538-	) Manifold, Exhaust [2007]	1

Fig. 36 - Engine Muffler Group (001000-001423)

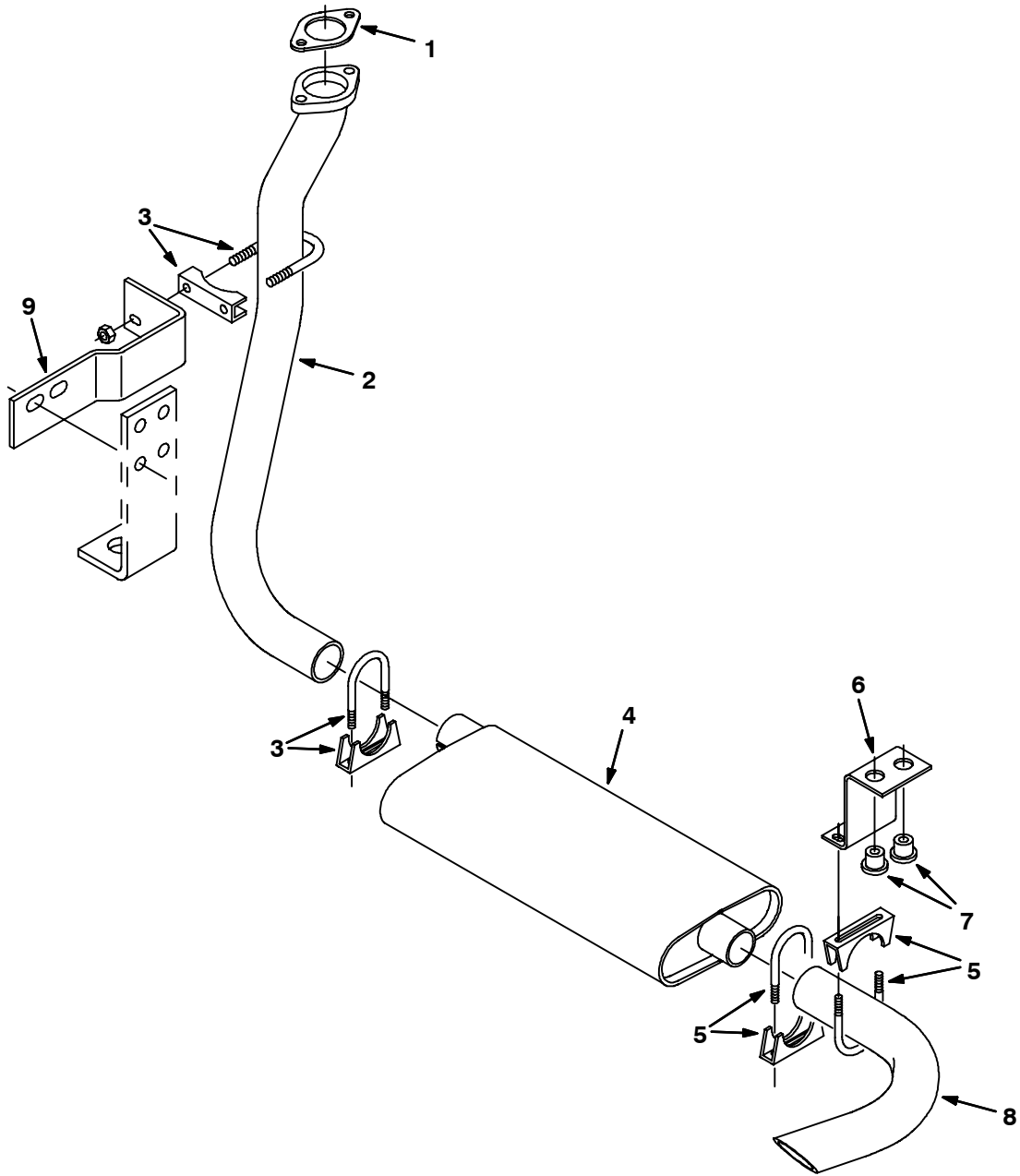




Fig. 36 - Engine Muffler Group (001000-001423)

Ref.	Part No.	Serial Number	Description	Qty.
1	34908	(001000-001423 )	Gasket, Tail Pipe	1
2	16496	(001000-001423 )	Tube, Exhaust	1
3	05880	(001000-001423 )	Clamp, Muffler	2
4	21726	(001000-001423 )	Muffler	1
5	24012-1	(001000-001423 )	Clamp, Muffler	2
6	12959	(001000-001423 )	Bracket, Exhaust Mounting	1
7	54274	(001000-001423 )	Isolator, Vibration	2
8	76831	(001000-001423 )	Pipe, Tail	1
9	49024	(001000-001423 )	Bracket, Exhaust Support	1

**Fig. 37 - Engine Muffler Group, Gas/LPG (001424-001505)**

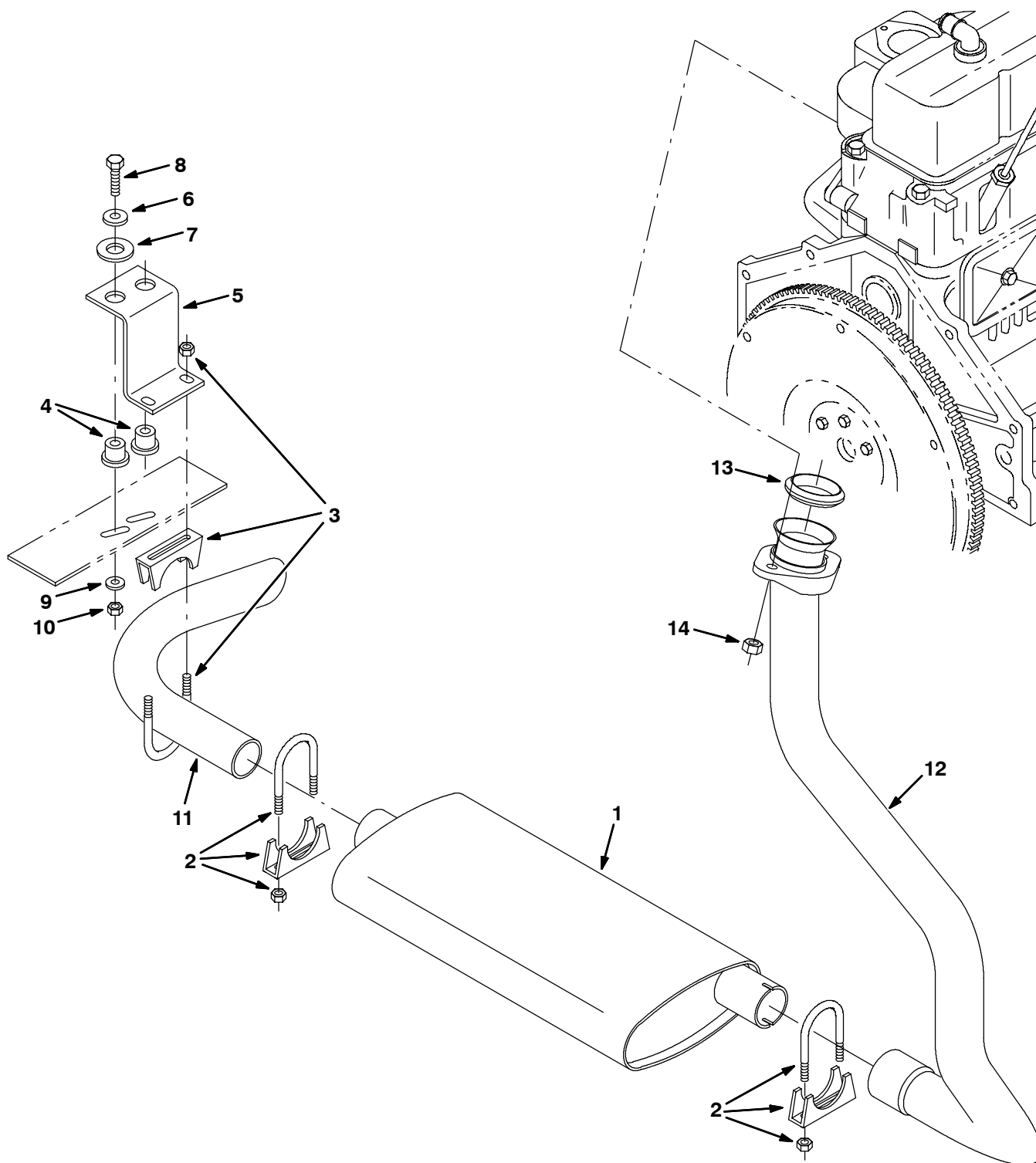


Fig. 37 - Engine Muffler Group, Gas/LPG (001424-001505)

Ref.	Part No.	Serial Number	Description	Qty.
1	21726	(001424-001505 )	Muffler, Exhaust	1
2	05880	(001424-001505 )	Clamp, Muffler, 1.88d	1
3	24012-1	(001424-001505 )	Clamp, Muffler, 1.75d	2
4	54274	(001424-001505 )	Isolator, Vib, Bshg, 1.1d 0.6l .4b 0.78h	2
5	12959	(001424-001505 )	Bracket, Pipe, Exhaust	1
6	32492	(001424-001505 )	Washer, Flt, .38 Std	2
7	39350	(001424-001505 )	Washer, Flt, .75 Sae	2
8	76957	(001424-001505 )	Screw, Hex, .31-18 X 1.50, 5	2
9	32491	(001424-001505 )	Washer, Flt, .31 Std	2
10	32983	(001424-001505 )	Nut, Hex, Lock, .31-18, NI	2
11	392543	(001424-001505 )	Tube, Exhaust, 1.8d 1.8od Cut-45 E105	1
12	392540	(001424-001505 )	Tube, Exhaust, 2.0d Flared W/FIng	1
13	371573	(001424-001505 )	Gasket	1
14	25014	(001424-001505 )	Nut, Hex, Std, .38-16	2

Fig. 38 - Engine Muffler Group, Gas/LPG (001508-001537)

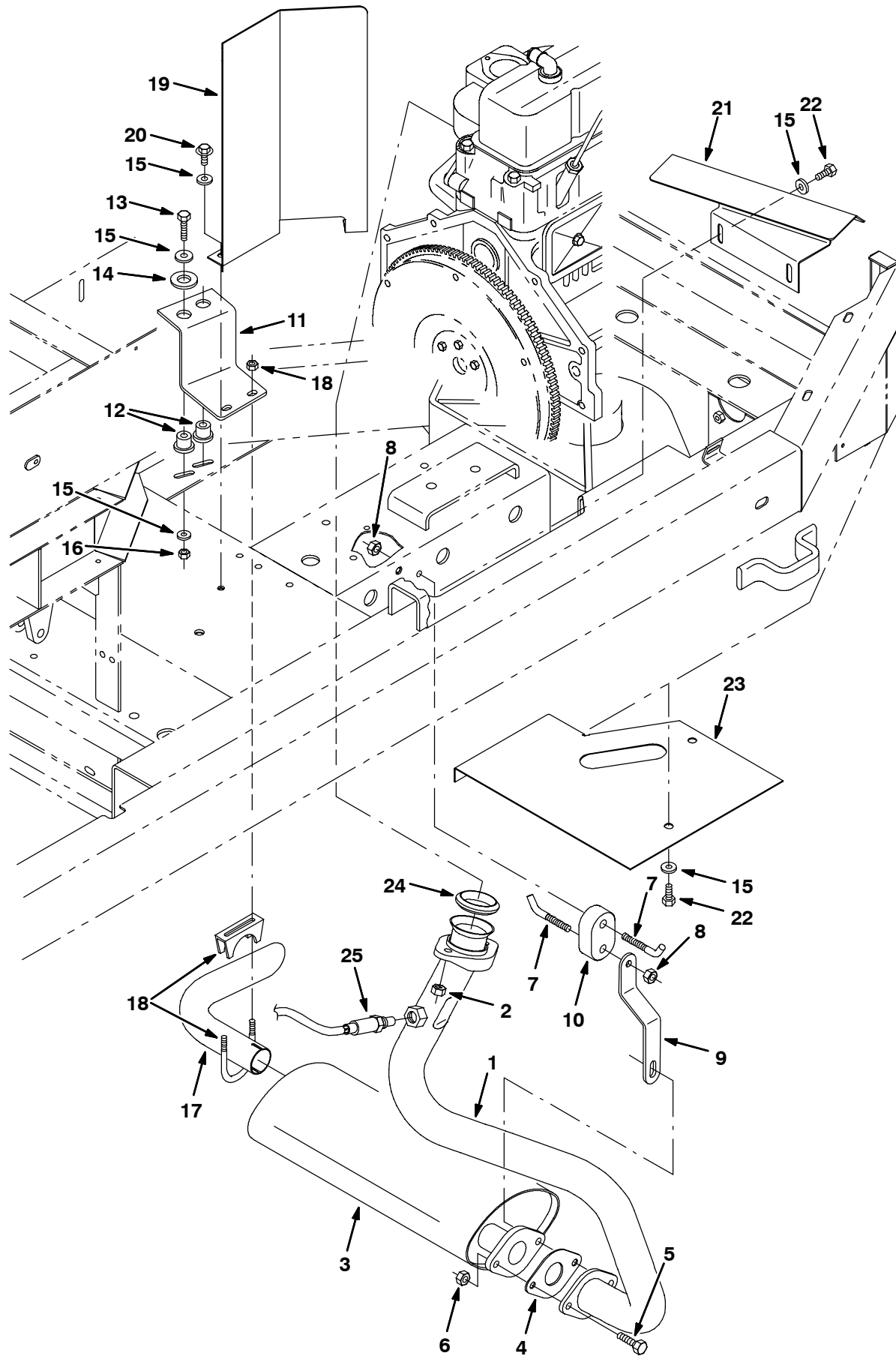


Fig. 38 - Engine Muffler Group, Gas/LPG (001508-001537)

Ref.	Part No.	Serial Number	Description	Qty.
1	1014769	(001508-001537 )	Tube, Exhaust, 2.0d Flared W/ Fling	1
2	27979	(001508-001537 )	Nut, Hex, Fling, .31-18	2
3	1011259	(001508-001537 )	Muffler, Catalytic [Gm 1.6/3.0]	1
4	1011216	(001508-001537 )	Gasket, Exhaust, 2 Hole, 3.4bc	1
5	27988	(001508-001537 )	Screw, Hex, .38-16 X 1.50, 5	2
6	03556	(001508-001537 )	Nut, Hex, Flexlock, .38-16	2
7	1015638	(001508-001537 )	Rod, Hanger	2
8	25014	(001508-001537 )	Nut, Hex, Std, .38-16	2
9	1014828	(001508-001537 )	Plate, Exhaust Hanger	1
10	1013031	(001508-001537 )	Isolator, Rubber	1
11	1015633	(001508-001537 )	Bracket, Exhaust	1
12	1013590	(001508-001537 )	Isolator, Vib, Bshg, 1.1d 0.6l .4b 0.78h	2
13	76957	(001508-001537 )	Screw, Hex, .31-18 X 1.50, 5	2
14	39350	(001508-001537 )	Washer, Flat, 0.75 Sae	2
15	32491	(001508-001537 )	Washer, Flat, 0.31 Std	11
16	32983	(001508-001537 )	Nut, Hex, Lock, .31-18, NI	2
17	1014774	(001508-001537 )	Tube, Exhaust, 1.6d 1.6d 45deg Cut E90	1
18	24012	(001508-001537 )	Clamp, Muffler, 1.62d	1
19	1015821	(001508-001537 )	Bracket, Shield, Heat	1
20	41195	(001508-001537 )	Screw, Hex, .31-18 X 0.75, Fmg	3
21	1017203	(001508-001537 )	Shield, Heat	1
22	54396	(001508-001537 )	Screw, Hex, .31-18 X 0.75, 5	4
23	1017241	(001508-001537 )	Plate, Eng	1
24	371573	(001508-001537 )	Gasket	1
25	372491	(001508-001537 )	Sensor, Oxygen	1

**Fig. 39 - Engine Muffler Group, Gas/LPG (001538- )**

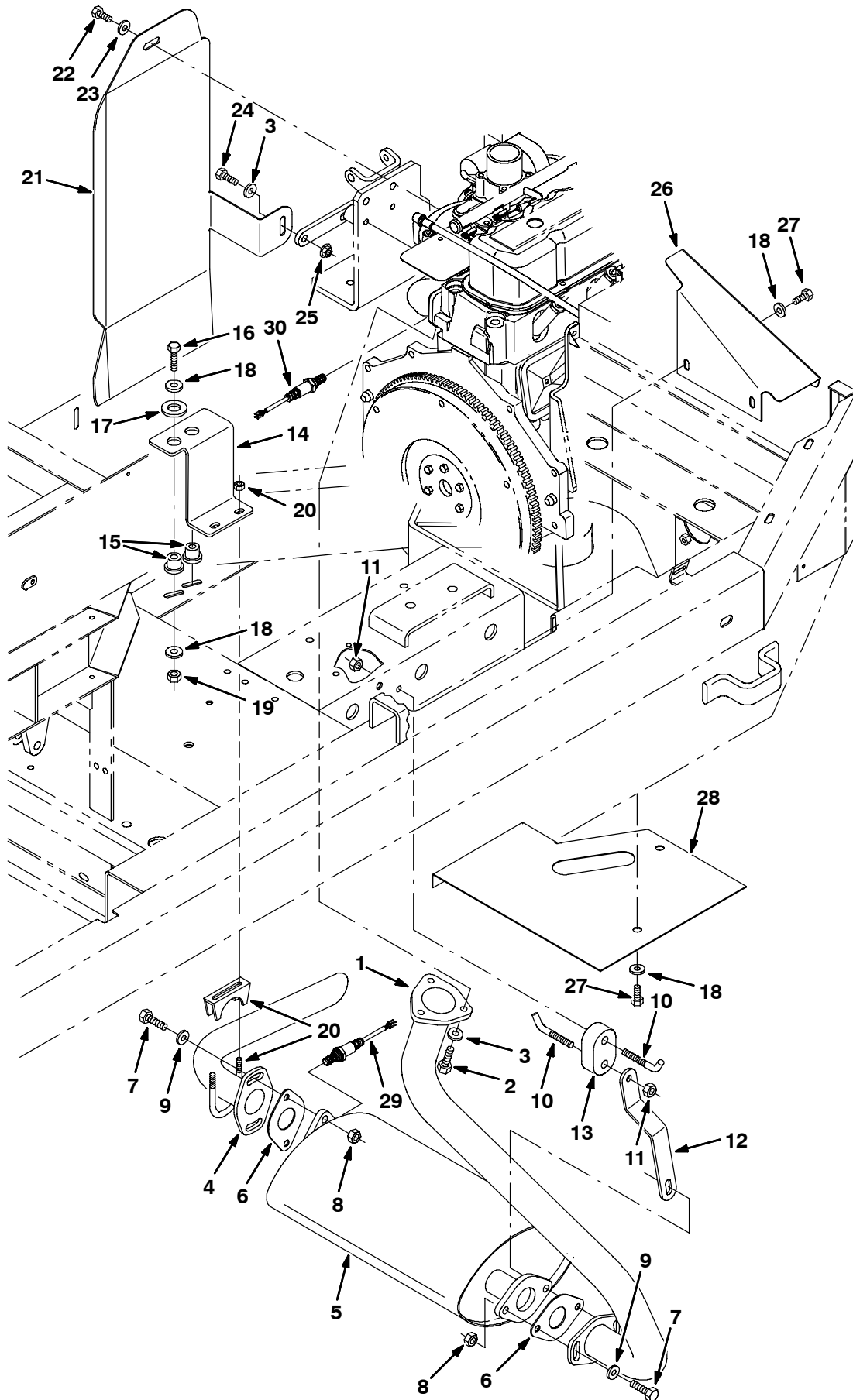
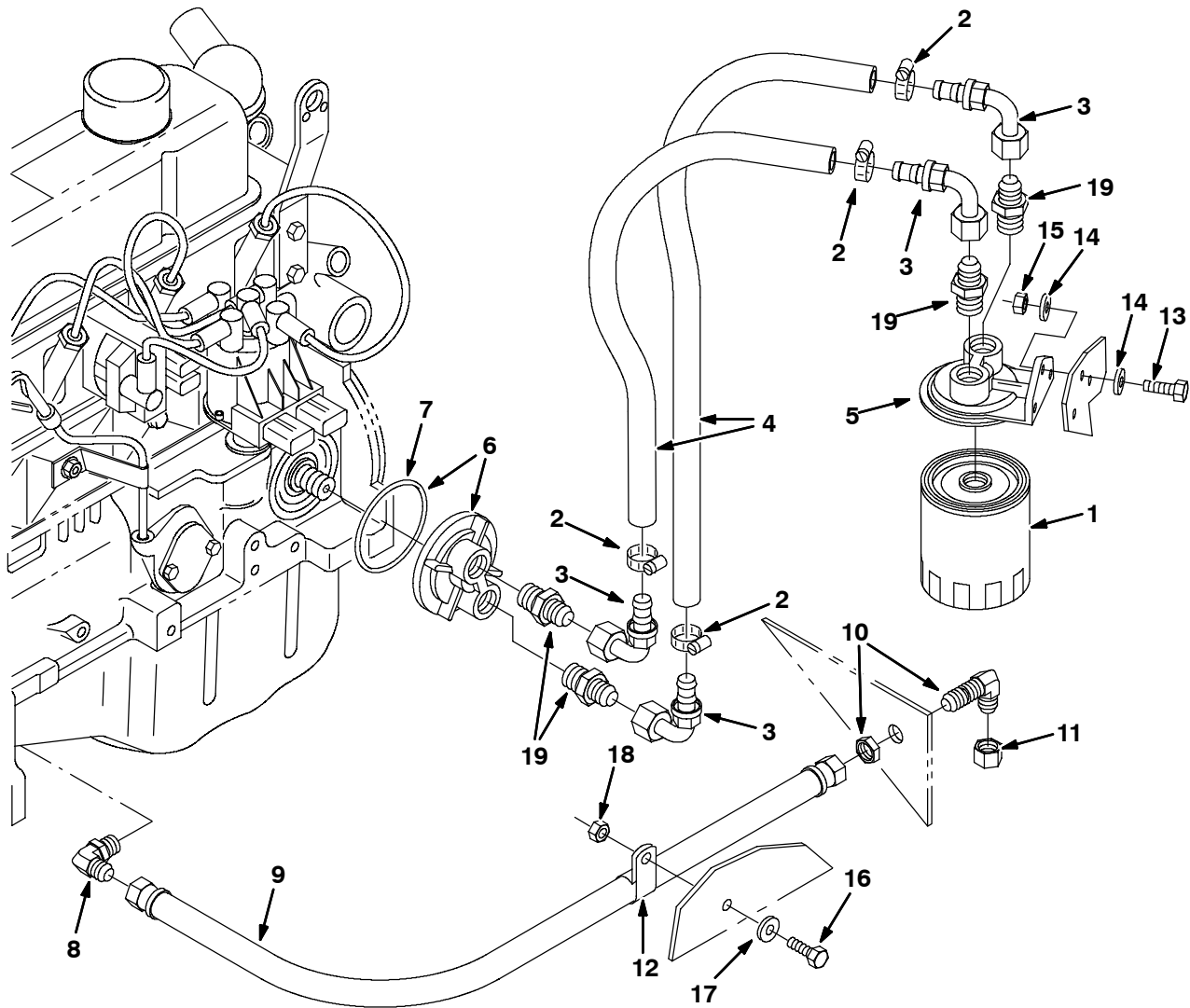


Fig. 39 - Engine Muffler Group, Gas/LPG (001538- )

Ref.	Part No.	Serial Number	Description	Qty.
1	1032391	(001538-	) Tube, Exhaust, 2.0d [550/1550 07]	1
2	76570	(001538-	) Screw, Hex, M8 X 1.25 X 30, 8.8	3
3	32492	(001538-	) Washer, Flat, 0.38, Std	4
4	1032477	(001538-	) Tube, Exhaust, 1.6d, 2 Sl Flng [550 07]	1
5	1030533	(001538-	) Muffler, Catalytic [Gm 3.0l 2007]	1
6	1011216	(001538-	) Gasket, Exhaust, .07, 1.63id, 2/3.4bc	2
7	27988	(001538-	) Screw, Hex, .38-16 X 1.50, G5	4
8	03556	(001538-	) Nut, Hex, Flexlock, .38-16	4
9	32492	(001538-	) Washer, Flat, 0.38, Std	4
10	1015638	(001538-	) Rod, Hanger	2
11	25014	(001538-	) Nut, Hex, Std, .38-16	2
12	1032569	(001538-	) Plate, Hanger, Exhaust [550/1550 07]	1
13	1013031	(001538-	) Isolator, Rbr	1
14	1032823	(001538-	) Bracket, Pipe, Exhaust [550/1550 07]	1
15	1013590	(001538-	) Isolator, Vib, Bshg, 1.1d 0.6l .4b 0.78h	2
16	76957	(001538-	) Screw, Hex, .31-18 X 1.50, G5	2
17	39350	(001538-	) Washer, Flat, 0.75, Sae	2
18	32491	(001538-	) Washer, Flat, 0.31, Std	8
19	32983	(001538-	) Nut, Hex, Lock, .31-18, NI	2
20	24012	(001538-	) Clamp, Muffler, 1.62d	1
21	1032774	(001538-	) Bracket, Shield, Heat [550/1550 07]	1
22	87308	(001538-	) Screw, Hex, M6 X 1.00 X 12, 8.8	1
23	32483	(001538-	) Washer, Flat, 0.25, Sae	1
24	39277	(001538-	) Screw, Hex, M8 X 1.25 X 25, 8.8	1
25	07791	(001538-	) Nut, Hex, Flng, M8 X 1.25	1
26	1032778	(001538-	) Shield, Heat [550/1550 07]	1
27	54396	(001538-	) Screw, Hex, .31-18 X 0.75, G5	4
28	1017241	(001538-	) Plate, Eng	1
29	1028558	(001538-	) Sensor, Exhaust, Tailpipe	1
30	1028559	(001538-	) Sensor, Oxygen [Gm 1.6l/3.0l 2007]	1

# STANDARD PARTS

Fig. 40 - Engine Oil Filter and Drain Group, Gas/LPG (001424- )

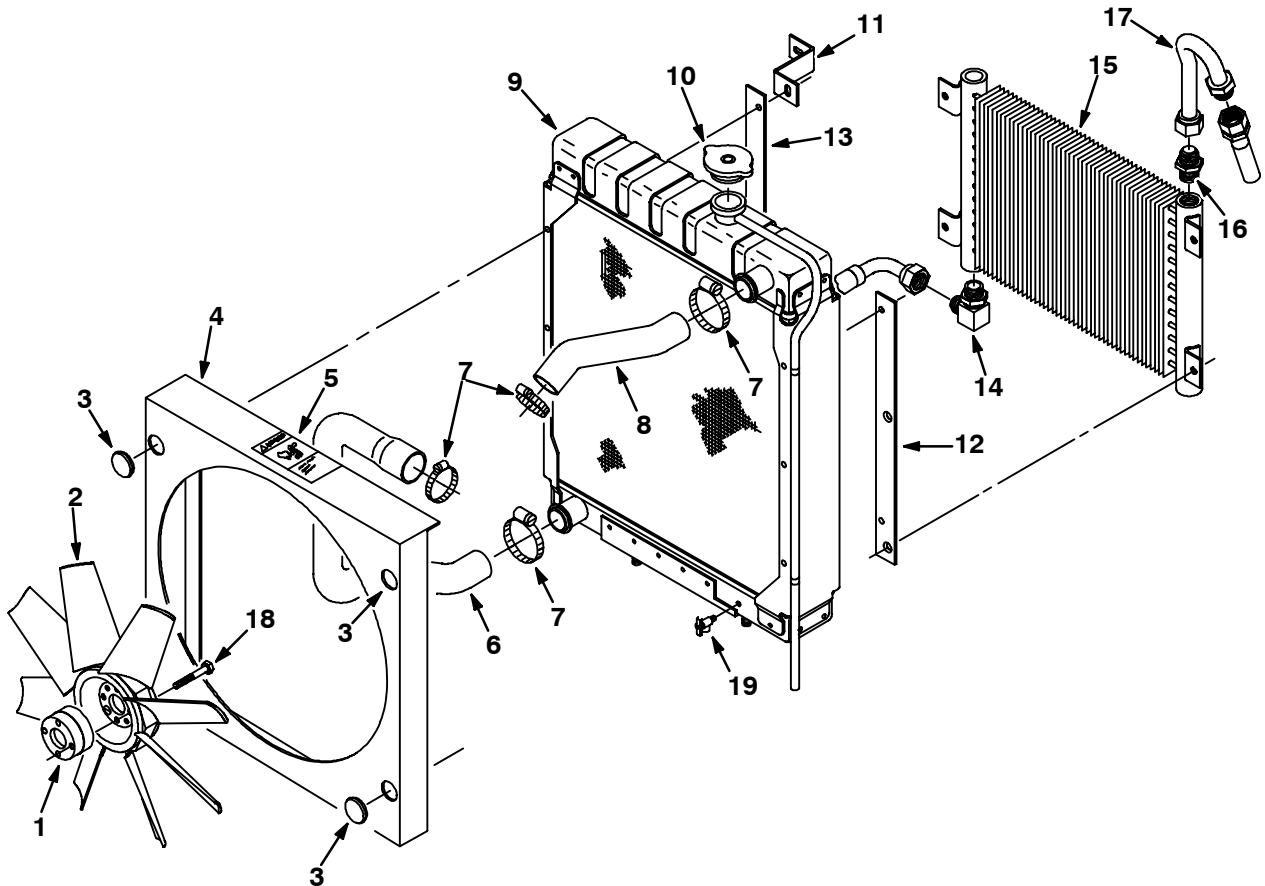


353629 - 1550, 550, G, LP

Ref.	Part No.	Serial Number	Description	Qty.	
1	393982	(001424- )	Filter, Oil (Gas, Lpg)	1	
2	11399	(001424- )	Clamp, Hose, Wormdrive, 0.81-1.50d	4	
3	371500	(001424- )	Fitting, 90 Deg	4	
4	371502	(001424- )	Hose, .50	2	
5	371503	(001424- )	Mount, Filter, Remote	1	
▽	6	371504	(001424- )	Adaptor, Filter, Remote	1
▲	7	1032382	(001424- )	Seal, Org, .139 X 03.109 Id	1
8	392545	(001424- )	Fitting, Hyd, E90, Jm06/Om05	1	
9	76762	(001424- )	Hose, Hyd,Low06, Jf06str /Jf06str , 26.0	1	
10	57075	(001424- )	Fitting, Hyd, E90, Jm06/Jm06	1	
11	40625	(001424- )	Fitting, Hyd, Cap Jf06	1	
12	82829	(001424- )	Clamp, Cable, Stl, 0.63d X 0.75w, 1h	1	
13	76956	(001424- )	Screw, Hex, .31-18 X 1.25, 5	3	
14	32491	(001424- )	Washer, Flt, .31 Std	6	
15	32983	(001424- )	Nut, Hex, Lock, .31-18, NI	3	
16	42370	(001424- )	Screw, Hex, .31-18 X 1.25, Ss	1	
17	01685	(001424- )	Washer, Flt, .31 Ss	1	
18	41437	(001424- )	Nut, Hex, Lock, .31-18, NI, Ss	1	
19	371505	(001424- )	Fitting	4	



Fig. 41 - Engine Radiator and Hydraulic Cooler Group (001000-001423)



00762 - 550, 1550

Ref.	Part No.	Serial Number	Description	Qty.
1	391858	(001000-001423 )	Spacer, Fan	1
2	375585	(001000-001423 )	Fan	1
3	50967	(001000-001423 )	Plugbutton	4
4	50817	(001000-001423 )	Shroud, Fan	1
5	68962	(001000-001423 )	Label, Engine Fan	1
6	25179	(001000-001423 )	Hose, Radiator	1
7	11531	(001000-001423 )	Clamp, Worm Drive	4
8	16820	(001000-001423 )	Hose, Radiator	1
▽ 9	61611	(001000-001423 )	Radiator	1
▲ 10	51321-3	(001000-001423 )	Cap, Radiator	1
11	75486A	(001000-001423 )	Bracket, Radiator	1
12	76596A-1	(001000-001423 )	Strip, Mounting	1
13	76596A	(001000-001423 )	Strip, Mounting	1
14	46481	(001000-001423 )	Fitting, Elbow	1
15	31592	(001000-001423 )	Cooler, Hydraulic	1
16	42260	(001000-001423 )	Fitting, Straight	1
17	78144B	(001000-001423 )	Tube Assembly, Hydraulic	1
18	39279	(001000-001423 )	Screw, Hex, M8	4
19	51305	(001000-001423 )	Cock, Drain	1

# STANDARD PARTS

Fig. 42 - Engine Radiator and Hydraulic Cooler Group, Gas/LPG (001424-001505)

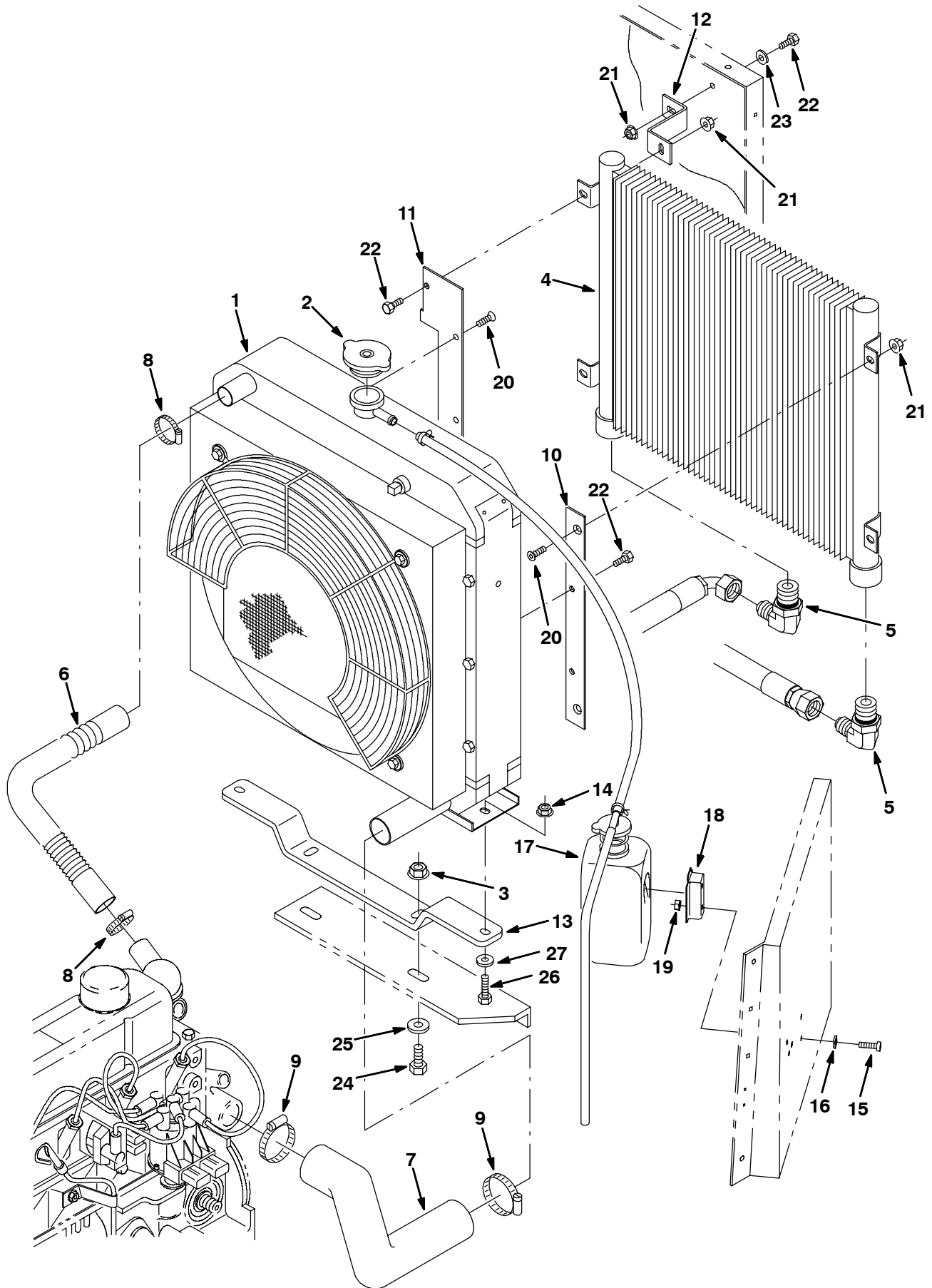


Fig. 42 - Engine Radiator and Hydraulic Cooler Group, Gas/LPG (001424-001505)

Ref.	Part No.	Serial Number	Description	Qty.
1	371575	(001424-001505 )	Radiator Assy	1
2	368132	(001424-001505 )	Cap, Radiator, 15psi	1
3	27981	(001424-001505 )	Nut, Hex, Flng, .50-13	2
4	73106	(001424-001505 )	Cooler, Hyd 25gpm 400btu Of16 19x18x2	1
5	52911	(001424-001505 )	Fitting, Hyd, E90, Jm12/Om16	2
6	393970	(001424-001505 )	Hose, Radiator, Upper	1
7	393971	(001424-001505 )	Hose, Radiator, Lower	1
8	11399	(001424-001505 )	Clamp, Hose, Wormdrive, 0.81-1.50d	2
9	20983	(001424-001505 )	Clamp, Hose, Wormdrive, 3.25-4.12d	2
10	392534	(001424-001505 )	Strip, Cooler, Mtg	1
11	392530	(001424-001505 )	Strip, Cooler, Mtg	1
12	75486A	(001424-001505 )	Bracket, Radiator	1
13	371579	(001424-001505 )	Bracket, Radiator	1
14	27980	(001424-001505 )	Nut, Hex, Flng, .38-16	2
15	09164	(001424-001505 )	Screw, Pan, M06 X 1.0 X 20, 4.8	2
16	32490	(001424-001505 )	Washer, Flt, .25 Std	2
17	87972	(001424-001505 )	Tank, Recovery	1
18	382507	(001424-001505 )	Bracket, Mtg, Overflow	1
19	08708	(001424-001505 )	Nut, Hex, Lock, M06 X 1.0, NI	2
20	45299	(001424-001505 )	Screw, Flt, .31-18 X 0.75, Al	4
21	27979	(001424-001505 )	Nut, Hex, Flng, .31-18	5
22	54395	(001424-001505 )	Screw, Hex, .31-18 X 0.62, 5	5
23	32491	(001424-001505 )	Washer, Flt, .31 Std	1
24	39810	(001424-001505 )	Screw, Hex, .50-13 X 1.25, 5	2
25	32493	(001424-001505 )	Washer, Flt, .50 Std	2
26	21198	(001424-001505 )	Screw, Hex, .38-16 X 1.25, 5	2
27	32492	(001424-001505 )	Washer, Flt, .38 Std	2

# STANDARD PARTS

Fig. 43 - Engine Radiator and Hydraulic Cooler Group, Gas/LPG (001508- )

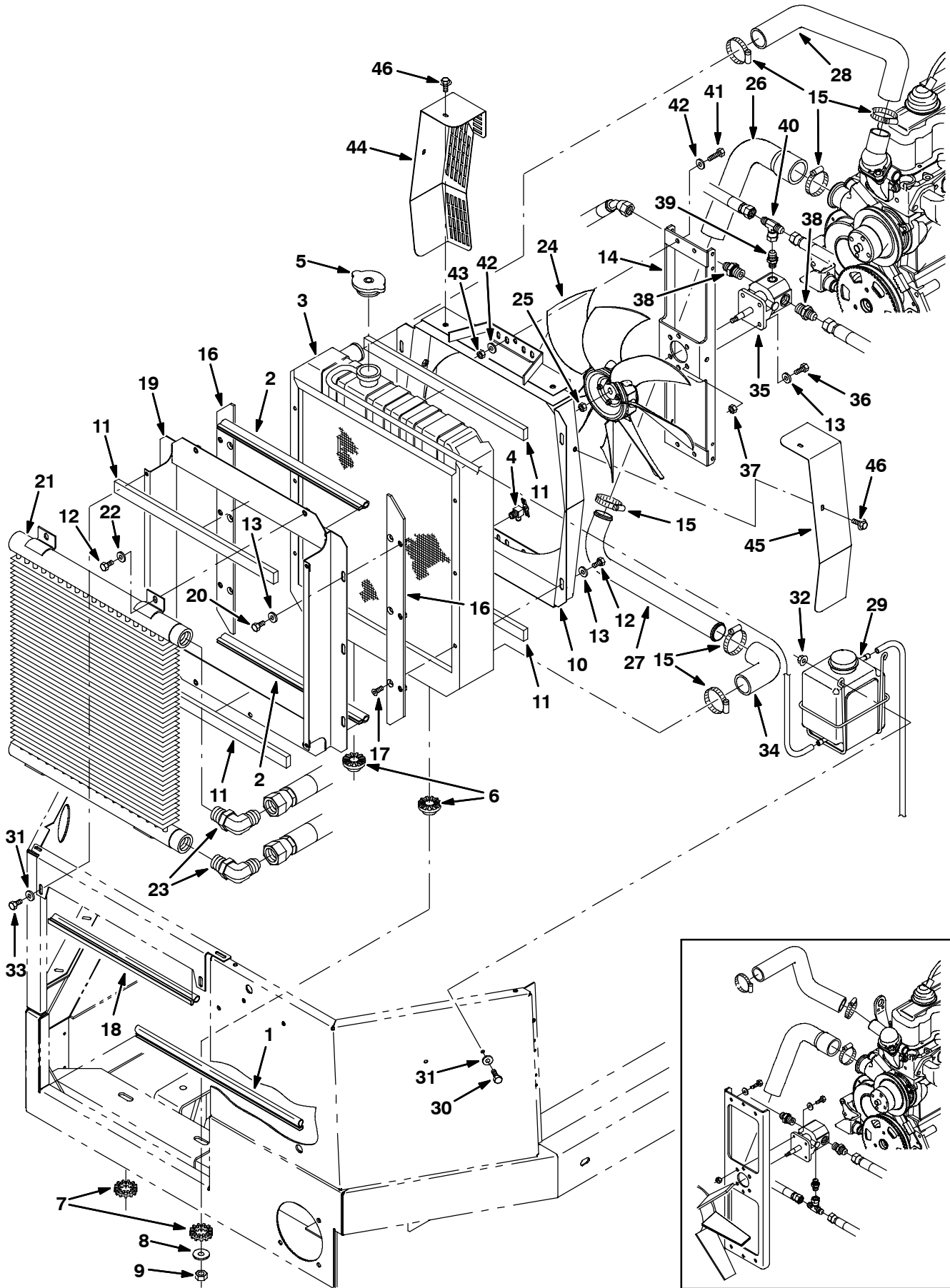


Fig. 43 - Engine Radiator and Hydraulic Cooler Group, Gas/LPG (001508- )

Ref.	Part No.	Serial Number	Description	Qty.
1	77342	(001508-	) Seal, Bulb, 90, 1.33 .06-.09grip 026.0l	1
2	365356	(001508-	) Seal, Bulb, 90, 1.33 .06-.09grip 017.0l	2
3	61608	(001508-	) Radiator	1
4	51305	(001508-	) Fitting, Draincock, .25npt 90	1
5	368132	(001508-	) Cap, Radiator, 15psi, [Stant A02502]	1
6	64621	(001508-	) Isolator, Vib, Bshg, 1.9d 0.9l .6b 1.16h	2
7	64618	(001508-	) Isolator, Vib, Ring, 1.9d 0.5l 1.3b	2
8	32493	(001508-	) Washer, Flat, 0.50 Std	2
9	32985	(001508-	) Nut, Hex, Lock, .50-13, NI	2
10	9001222	(001508-	) Shroud Wldt, Fan, Radiator, W/ Label	1
11	63818	(001508-	) Seal, Ure, 0.75 1.12w 19.0l Adh	4
12	54395	(001508-	) Screw, Hex, .31-18 X 0.62, 5	8
13	32491	(001508-	) Washer, Flat, 0.31 Std	14
14	1015264	(001508-001537	) Channel, Mtg, Fan Motor	1
14	1033344	(001538-	) Bracket Wldt, Mtg, Motor [2007]	1
15	79381	(001508-	) Clamp, Hose, Wormdrive, 1.25-2.00d, .50w	6
16	1014573	(001508-	) Strip, Mtg, Cooler	2
17	39537	(001508-	) Screw, Flt, .31-18 X 0.50, Al	6
18	10576	(001508-	) Seal, Bulb, 90, 0.50d .06-.09grip 022.5l	1
19	1014394	(001508-	) Shroud Wldt, Radiator / Hyd Cooler	1
20	54394	(001508-	) Screw, Hex, .31-18 X 0.50, 5	6
21	73106	(001508-	) Cooler, Hyd, 30gpm 800btu	1
22	39349	(001508-	) Washer, Flat, 0.31 Sae	4
23	53077	(001508-	) Fitting, Hyd, E90, Jm16/Om16	2
24	1020891	(001508-001537	) Fan, Cooling, 18.0d, 8 Blade, 0.5b,Taper	1
24	1033497	(001538-	) Fan, Cooling, 18.0d, 8 Blade, 0.5b Taper	1
25	08709	(001508-	) Nut, Hex, Lock, M8 X 1.25, NI	1
26	392647	(001508-	) Hose, Coolant, 1.50id To 1.75id, Mold	1
27	1014490	(001508-	) Tube, Coolant, 1.5d Lower	1
28	1016121	(001508-001537	) Hose, Coolant, Mold, 1.50id To 1.50id	1
28	1032815	(001538-	) Hose, Mold, 1.88od To 1.50id [550 07]	1
29	768897	(001508-	) Tank, Coolant, 06.0 04.5 06.9deep 2.5 Qt	1
30	25046	(001508-	) Screw, Hex, .25-20 X 1.00, 5	2
31	32490	(001508-	) Washer, Flat, 0.25 Std	4
32	27978	(001508-	) Nut, Hex, Flng, .25-20	2
33	19316	(001508-	) Screw, Hex, .25-20 X 0.62, 5	2
34	54884	(001508-	) Hose, Rbr, E90 1.50id 1.50id 04.0 02.8	1
35	1019272	(001508-	) Motor, Hyd, Gear, [Ex] 0.32 R 3000 (See Breakdowns)	1
36	39277	(001508-	) Screw, Hex, M8 X 1.25 X 25, 8.8	4
37	08709	(001508-	) Nut, Hex, Lock, M8 X 1.25, NI	4
38	56692	(001508-	) Fitting, Hyd, Str, Jm08/Om10	2
39	50960	(001508-	) Fitting, Hyd, Str, Jm06/Om04	1
40	35586	(001508-	) Fitting, Hyd, Tee, Jf06/Jm06/Jm06, Br	1
41	06943	(001508-	) Screw, Hex, M6 X 1.0 X 20, 8.8	4
42	32483	(001508-	) Washer, Flat, 0.25 Sae	8
43	08708	(001508-	) Nut, Hex, Lock, M6 X 1.0, NI	4
44	1035814	(001538-	) Guard, Rh, Fan, [550 2007 Engines]	1
45	1035837	(001538-	) Guard, Lh, Fan, [550 2007 Engines]	1
46	41195	(001538-	) Screw, Hex, .31-18 X 0.75, Fmg, PI	4

Fig. 44 - Engine Fan and Pulley Group, Gas/LPG (001424-001505)

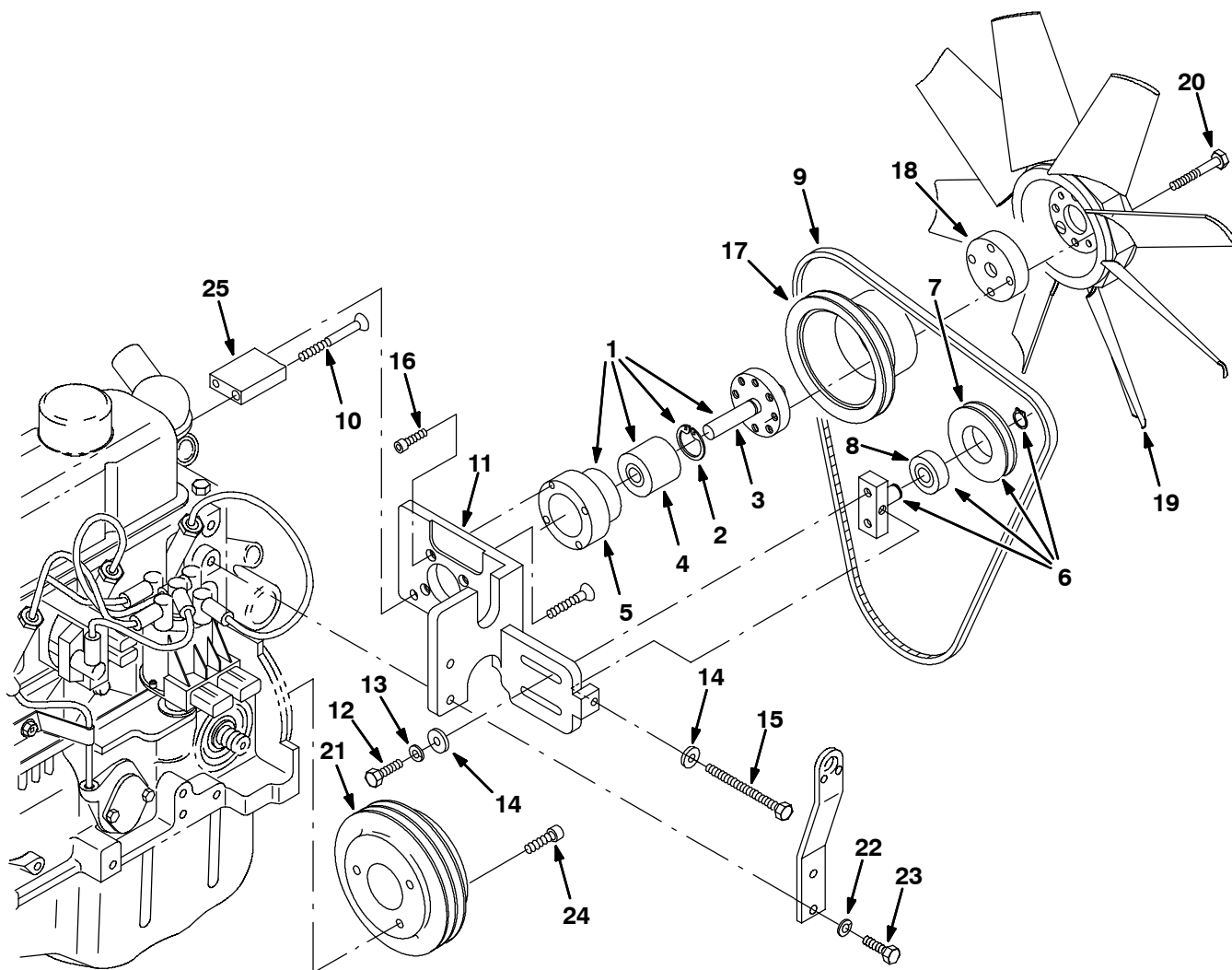
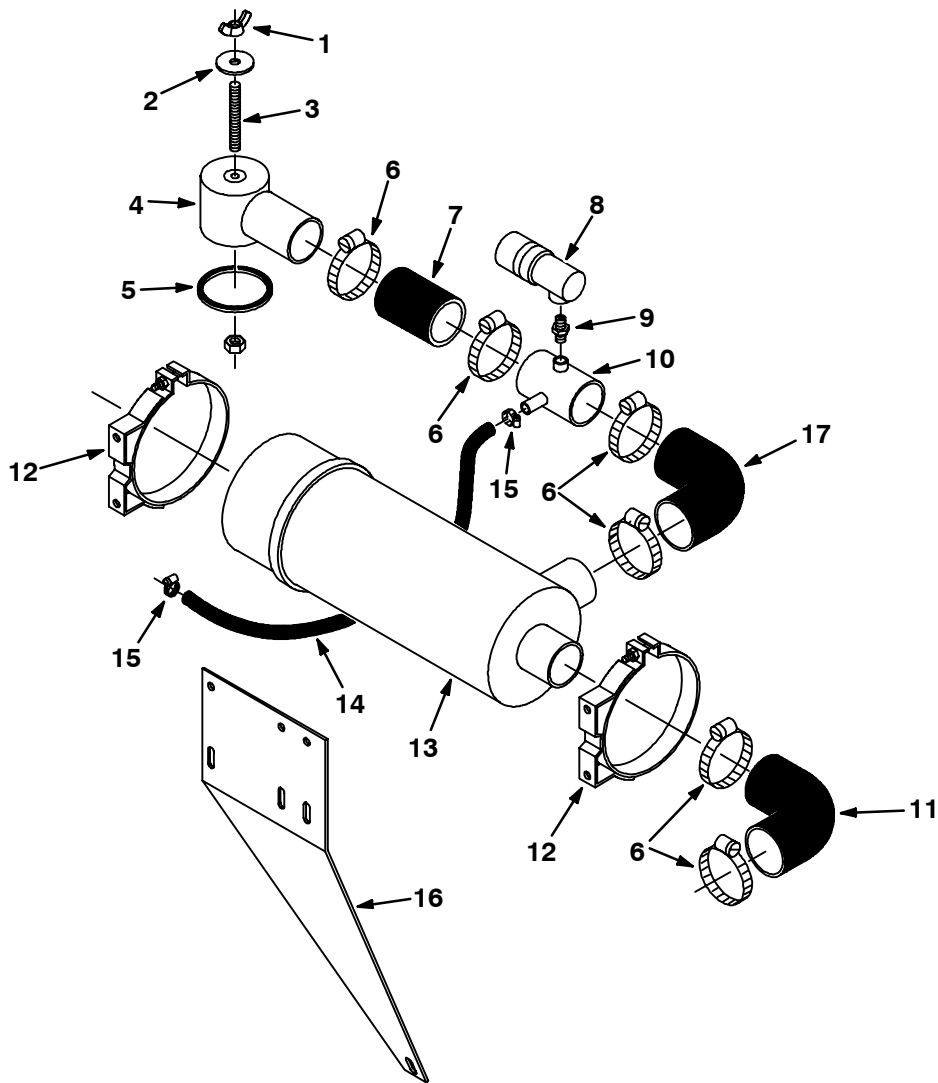


Fig. 44 - Engine Fan and Pulley Group, Gas/LPG (001424-001505)

Ref.	Part No.	Serial Number	Description	Qty.
▽	1	371561	(001424-001505 ) Housing Assy, Hub	1
▲	2	371557	(001424-001505 ) Ring, Retaining	1
▲	3	371558	(001424-001505 ) Base, Brg Hsng	1
▲	4	371559	(001424-001505 ) Hub	1
▲	5	371560	(001424-001505 ) Bearing	1
▽	6	371563	(001424-001505 ) Pulley Assy, Idler	1
▲	7	371568	(001424-001505 ) Pulley, Idler	1
▲	8	371570	(001424-001505 ) Bearing, Idler Pulley	1
	9	393986	(001424-001505 ) Belt, Fan	1
	10	393996	(001424-001505 ) Screw, Flt, .38-16 X 3.25	1
	11	371564	(001424-001505 ) Plate	1
	12	21198	(001424-001505 ) Screw, Hex, .38-16 X 1.25, 5	2
	13	371565	(001424-001505 ) Washer, Lock, .38	2
	14	32485	(001424-001505 ) Washer, Flt, .38 Sae	3
	15	371566	(001424-001505 ) Screw, .38-16 X 4.0	1
	16	371567	(001424-001505 ) Screw, Soc, .31-18 X 1.0	4
	17	393998	(001424-001505 ) Pulley, Fan	1
	18	392539	(001424-001505 ) Spacer, Fan	1
	19	375585	(001424-001505 ) Fan, Cooling, 18.0d, 8 Blade, 2.2d Bc	1
	20	371582	(001424-001505 ) Screw, Hex, .31-24 X 1 .50	4
	21	371545	(001424-001505 ) Pulley, Crank	1
	22	371509	(001424-001505 ) Washer, Lock, .38	2
	23	27988	(001424-001505 ) Screw, Hex, .38-16 X 1.50, 5	2
	24	371639	(001424-001505 ) Screw, Soc, .38-24 X 1.00	3
	25	1025278	(001424-001505 ) Block, Spacer, Fan Mount	3

# STANDARD PARTS

Fig. 45 - Engine Air Cleaner Group, Gas (001000-001402)

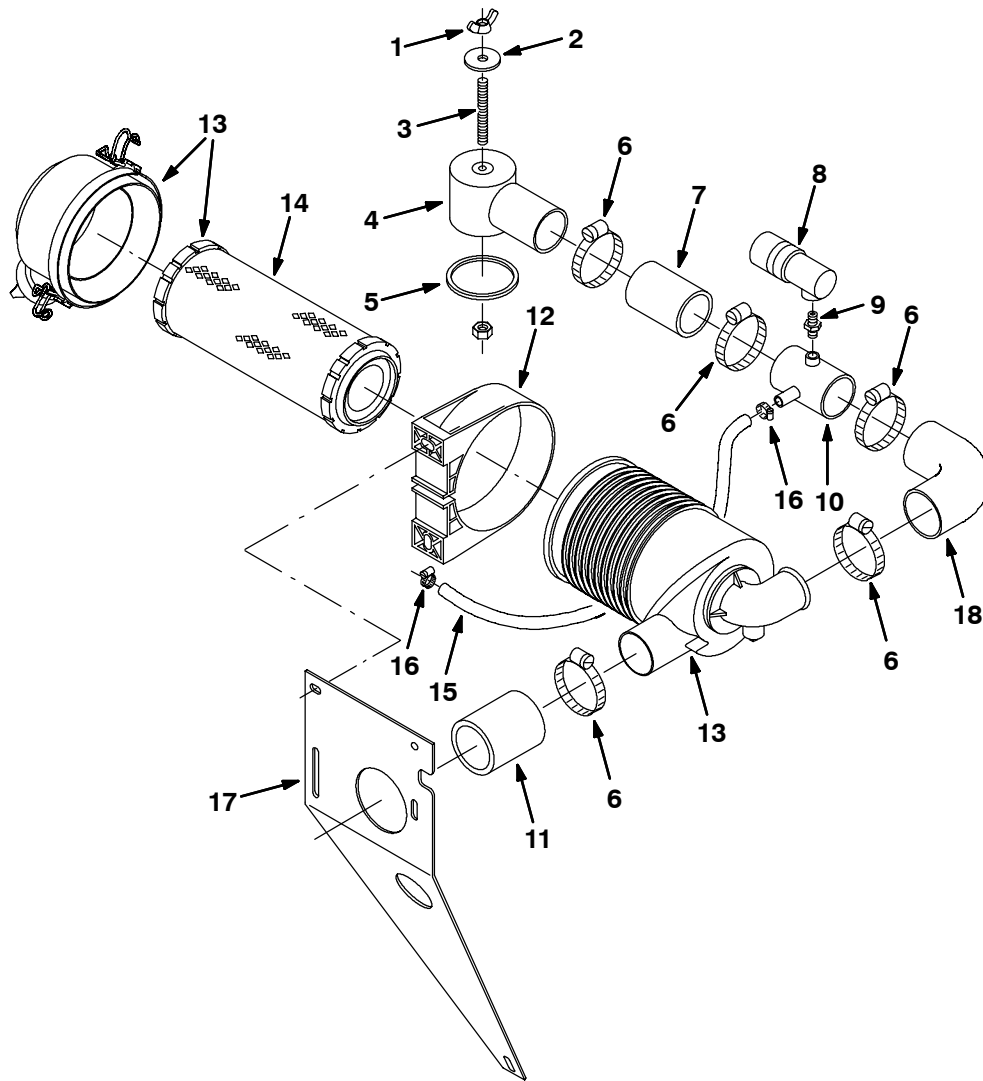


00107 - 550, 1550, G

Ref.	Part No.	Serial Number	Description	Qty.
1	26509	(001000-001402 )	Nut, Wing	1
2	24924	(001000-001402 )	Washer, Nylon	1
3	34996	(001000-001402 )	Stud	1
4	34997	(001000-001402 )	Elbow, Carburetor	1
5	16738	(001000-001402 )	Gasket, Carburetor Air Horn	1
6	22297	(001000-001402 )	Clamp, Worm Drive	6
7	15543	(001000-001402 )	Coupling, Air Cleaner Tube	1
8	51658-5	(001000-001402 )	Indicator, Filter Service	1
9	51560-5	(001000-001402 )	Adapter, Filter, 1/8NPT	1
10	09725	(001000-001402 )	Tube, Air Cleaner	1
11	76825	(001000-001402 )	Elbow, Carburetor	1
12	51560-3	(001000-001402 )	Clamp, Mounting	2
▽	13	398296	Kit, Replacement, Air Cleaner F/76827	1
▲		58120	Element, Air Filter	1
14	47826	(001000-001402 )	Hose, Rubber	1
15	54333	(001000-001402 )	Clamp, Worm Drive	2
16	76332	(001000-001402 )	Brace, Rear Shroud	1
17	10509	(001000-001402 )	Elbow, Air Cleaner	1



Fig. 46 - Engine Air Cleaner Group, Gas (001403-001423)



00107 - 550, 1550, G

Ref.	Part No.	Serial Number	Description	Qty.	
1	26509	(001403-001423 )	Nut, Wing	1	
2	24924	(001403-001423 )	Washer, Nylon	1	
3	34996	(001403-001423 )	Stud	1	
4	34997	(001403-001423 )	Elbow, Carburetor	1	
5	16738	(001403-001423 )	Gasket, Carburetor Air Horn	1	
6	22297	(001403-001423 )	Clamp, Worm Drive	5	
7	15543-2	(001403-001423 )	Coupling, Air Cleaner Tube	1	
8	51658-5	(001403-001423 )	Indicator, Filter Service	1	
9	51560-5	(001403-001423 )	Adapter, Filter, 1/8NPT	1	
10	09725	(001403-001423 )	Tube, Air Cleaner	1	
11	15543	(001403-001423 )	Elbow, Carburetor	1	
12	369747	(001403-001423 )	Clamp, Mounting	1	
▽	13	369745	(001403-001423 )	Air Cleaner	1
▲	14	369746	(001403-001423 )	Element, Air Filter	1
15	47826	(001403-001423 )	Hose, Rubber	1	
16	54333	(001403-001423 )	Clamp, Worm Drive	2	
17	369751	(001403-001423 )	Brace, Rear Shroud	1	
18	10509	(001403-001423 )	Elbow, Air Cleaner	1	

**Fig. 47 - Engine Air Cleaner Group, Gas/LPG (001424-001505)**

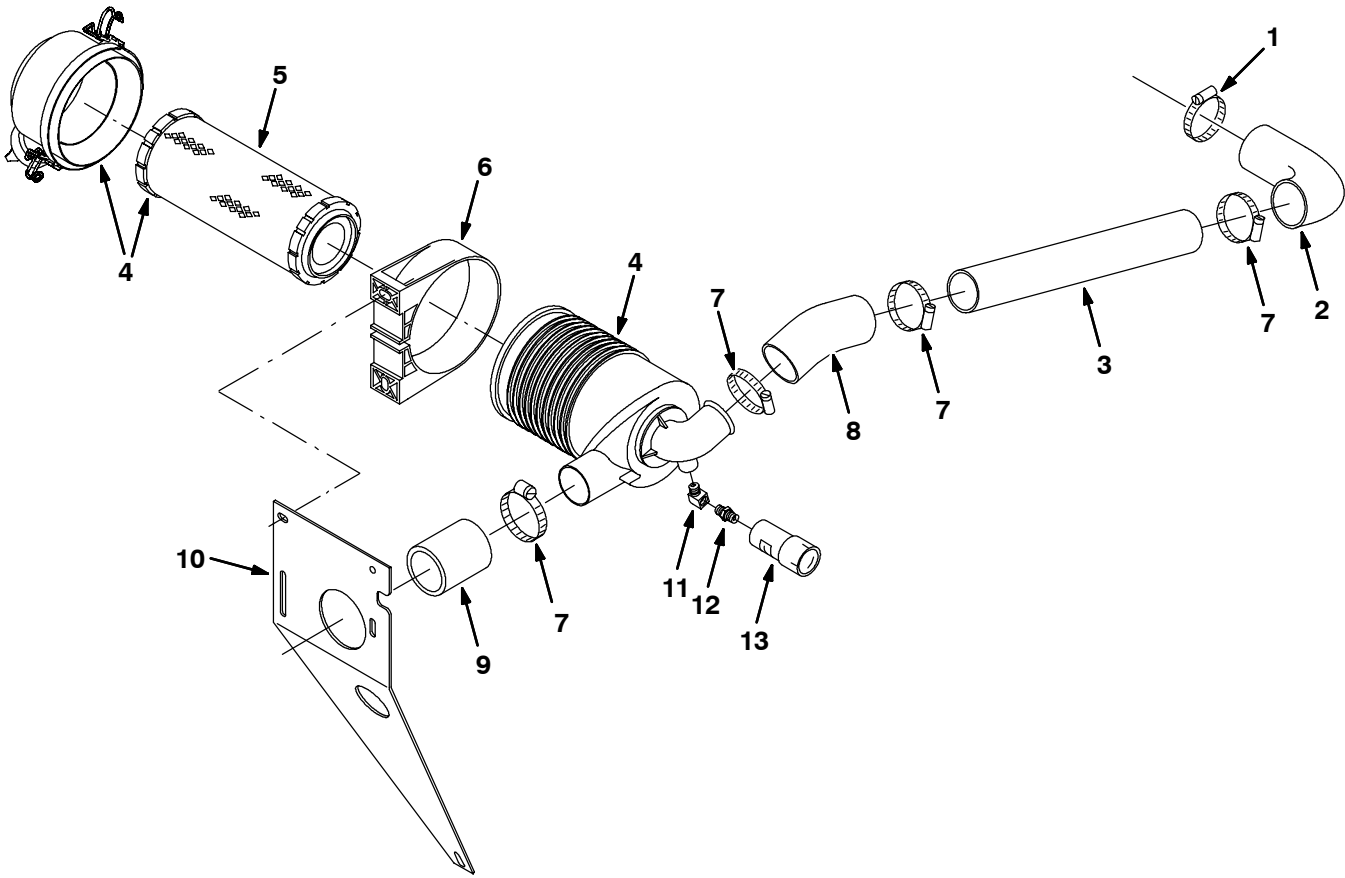


Fig. 47 - Engine Air Cleaner Group, Gas/LPG (001424-001505)

Ref.	Part No.	Serial Number	Description	Qty.
1	43555	(001424-001505 )	Clamp, Hose, Wormdrive, 1.62-3.50d	1
2	371565	(001424-001505 )	Hose, Rbr, E90	1
3	371581	(001424-001505 )	Pipe, Air Cleaner	1
▽	4	369745	(001424-001505 ) Filter, Air Cleaner Assembly	1
▲	5	369746	(001424-001505 ) Element, Fltr, Air	1
6	369747	(001424-001505 )	Clamp, Mounting, Air Cleaner	1
7	22297	(001424-001505 )	Clamp, Hose, Wormdrive, 1.56-2.50d	4
8	10509	(001424-001505 )	Hose, Rbr, E90 2.00id 2.00id 03.5 2.3	1
9	15543	(001424-001505 )	Hose, Rbr, 2.00id 2.50od 03.0l	1
10	369751	(001424-001505 )	Brace, Rear Shroud	1
11	11984	(001424-001505 )	Fitting, Pipe, E90, Pm02/Pf02	1
12	51560-5	(001424-001505 )	Fitting, Brs, Str, 02mp, Service	1
13	03026	(001424-001505 )	Indicator, Air Filter	1

# STANDARD PARTS

Fig. 48 - Engine Air Cleaner Group, Gas (001508- )

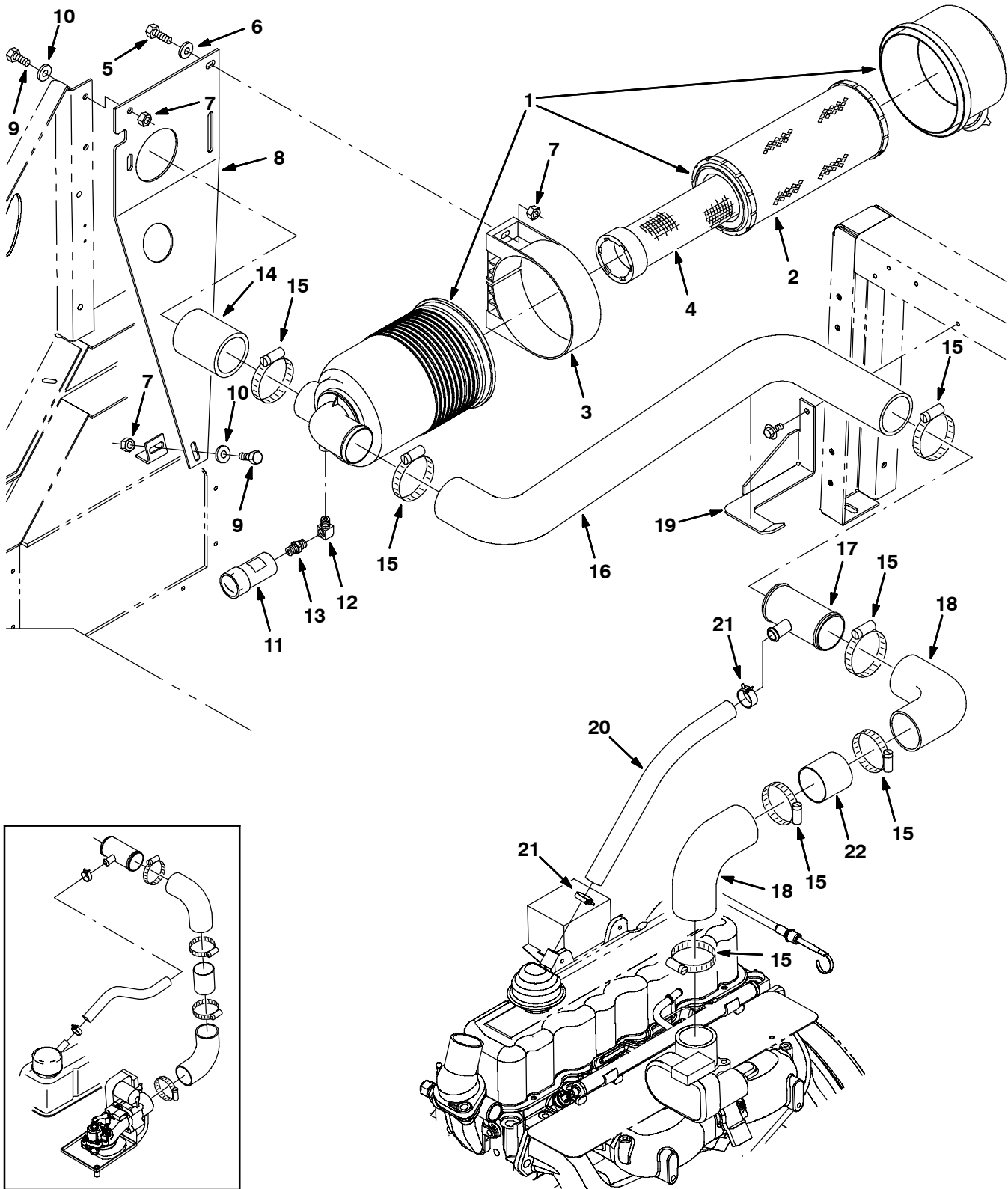


Fig. 48 - Engine Air Cleaner Group, Gas (001508- )

Ref.	Part No.	Serial Number	Description	Qty.
▽	1	369745	(001508- ) Filter, Assy, Air	1
▲	2	369746	(001508- ) Element, Fltr, Air, [Dn#P831424]	1
	3	369747	(001508- ) Clamp, Mtg, Filter, Air	1
	4	398279	(001508- ) Element, Fltr, Air, [Dnp822858] Safety	1
	5	76955	(001508- ) Screw, Hex, .31-18 X 1.00, 5	2
	6	39349	(001508- ) Washer, Flat, 0.31 Sae	2
	7	32983	(001508- ) Nut, Hex, Lock, .31-18, NI	5
	8	369751	(001508- ) Brace, Rear Shroud	1
	9	54396	(001508- ) Screw, Hex, .31-18 X 0.75, 5	3
	10	32491	(001508- ) Washer, Flat, 0.31 Std	3
	11	03026	(001508- ) Indicator, Service, Air Filter 20h20 Dn	1
	12	11984	(001508- ) Fitting, Pipe, E90, Pm02/Pf02	1
	13	51560-5	(001508- ) Fitting, Brs, Str, Pm02, Service	1
	14	15543	(001508- ) Hose, Rbr, 2.00id 2.50od 03.0l	1
	15	22297	(001508- ) Clamp, Hose, Wormdrive, 1.56-2.50d, .50w	7
	16	1014712	(001508- ) Hose, Intake, Mold, E90 E90 2.0id 2.0id	1
	17	1011780	(001508- ) Tube Wldt, Tee	1
	18	76825	(001508- ) Hose, Rbr, E90 2.00id 2.00id 03.5 03.5	2
	19	1016171	(001508- ) Bracket, Sppt, Hose	1
	20	13124	(001508- ) Hose, Heater, 0.62id 18.0l	1
	21	1011899	(001508- ) Clamp, Hose, Spring Stl, 0.86d X 0.38w	2
	22	79536	(001508- ) Tube, 02.00d 01.88b 02.5l Ss	1

Fig. 49 - Engine Fuel Tank Group, Gas (001000-001423)

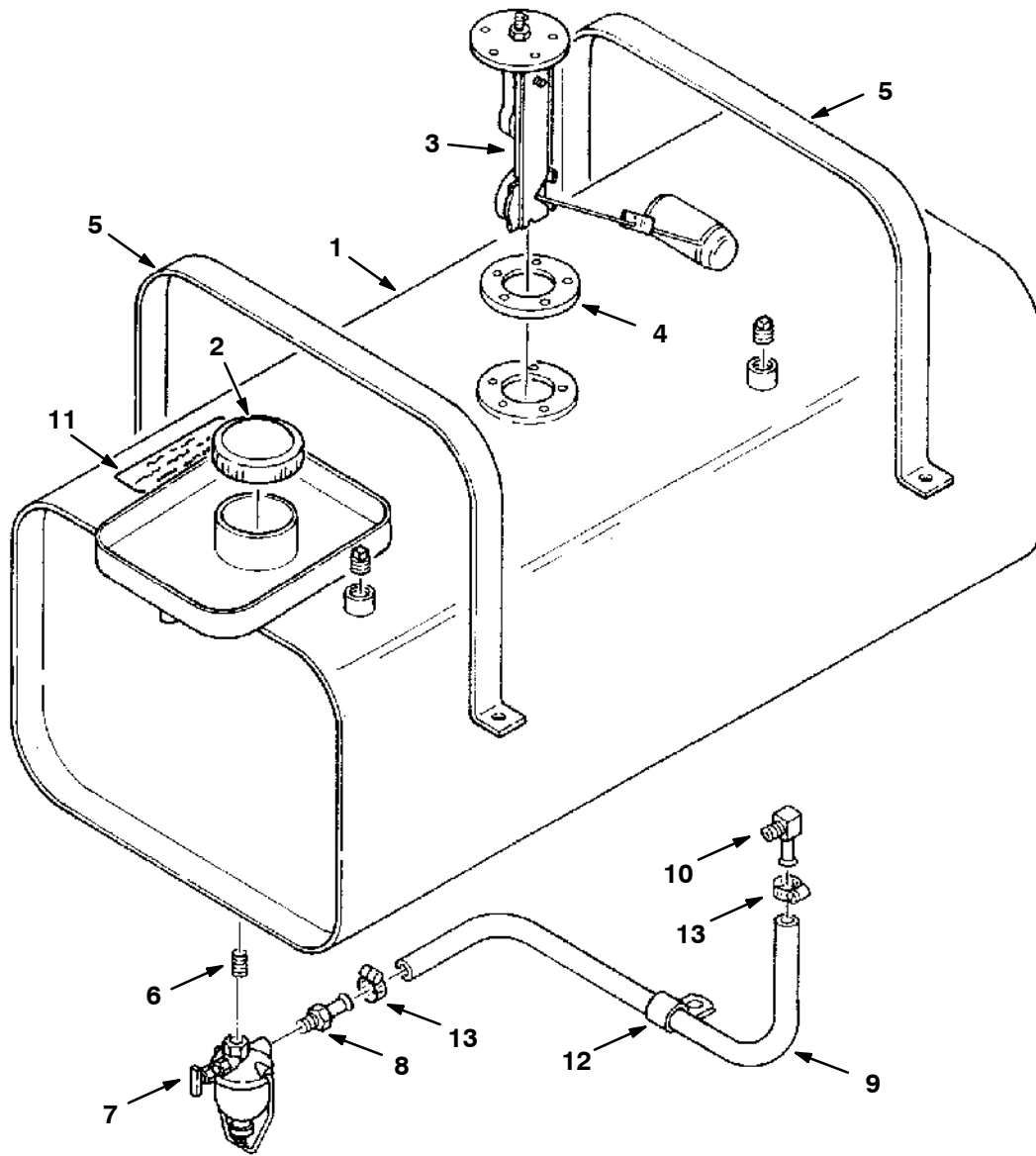


Fig. 49 - Engine Fuel Tank Group, Gas (001000-001423)

	Ref.	Part No.	Serial Number	Description	Qty.
▽	1	03977	(001000-001423 )	Tank, Fuel	1
▲	2	48267	(001000-001423 )	Cap, Fuel Tank	1
	3	07875	(001000-001423 )	Sending Unit, Fuel Tank	1
	4	14131	(001000-001423 )	Gasket	1
	5	04020	(001000-001423 )	Clamp, Fuel Tank	2
	6	47566	(001000-001423 )	Connector	1
	7	04601	(001000-001423 )	Strainer, Fuel	1
	8	61686	(001000-001423 )	Fitting, Straight	1
	9	61683	(001000-001423 )	Hose, Fuel Line	1
	10	61687	(001000-001423 )	Fitting, Elbow	1
	11	19048	(001000-001423 )	Label, Gasoline Only	1
	12	82829	(001000-001423 )	Clamp, Cable	1
	13	54333	(001000-001423 )	Clamp, Worm Drive	2

# STANDARD PARTS

Fig. 50 - Engine Fuel Tank Group, Gas (001424-001505)

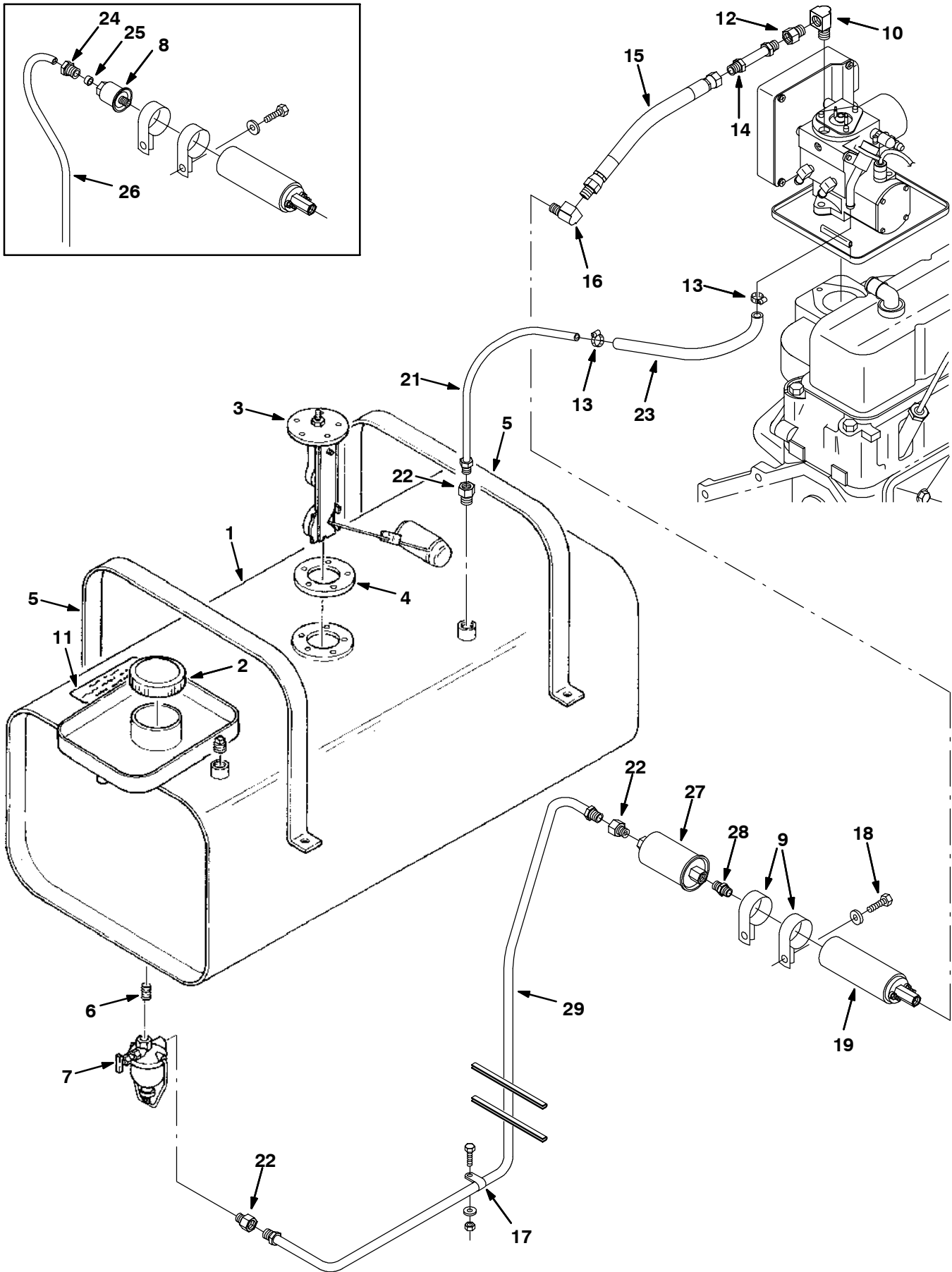




Fig. 50 - Engine Fuel Tank Group, Gas (001424-001505)

Ref.	Part No.	Serial Number	Description	Qty.
▽	1	03977	(001424-001505 ) Tank, Fuel	1
▲	2	48267	(001424-001505 ) Cap, Fuel Tank	1
	3	07875	(001424-001505 ) Sending Unit, Fuel Tank	1
	4	14131	(001424-001505 ) Gasket	1
	5	04020	(001424-001505 ) Clamp, Fuel Tank	2
	6	47566	(001424-001505 ) Connector	1
	7	04601	(001424-001505 ) Strainer, Fuel	1
	8	36050AM	(001424-001441 ) Filter, Fuel, In-line, 02pm/08if	1
	9	86328	(001424-001505 ) Clamp, Cable, Stl, 1.50d X 0.75w, 1h	1
	10	27048	(001424-001505 ) Fitting, Brs, E90, Pm04/Pf04	1
	11	19048	(001424-001505 ) Label, Gasoline Only	1
	12	78043	(001424-001505 ) Fitting, Brs, Str, Pm04/lf05	1
	13	43844	(001424-001505 ) Clamp, Hose, Wormdrive, 0.25-0.62d	2
	14	382266	(001424-001505 ) Fuelline, .31d 03.11 05if/05if Stl	1
	15	70173	(001424-001505 ) Hose, 0050, 04, 1m05str /lf05str , 10.0	1
	16	15555-1	(001424-001505 ) Fitting, Brs, E90, Pm02/lf05	1
	17	40678	(001424-001505 ) Clamp, Cable, Stl, 0.44d X 0.62w, 1h	1
	18	02182	(001424-001505 ) Screw, Hex, .25-20 X 1.00, NI	2
	19	371661	(001424-001505 ) Pump, Fuel, Gas	1
	20	391823	(001424-001505 ) Fitting, Brs, Str, Pm04/lf04	1
	21	16563	(001424-001505 ) Fuelline, Cpr .25d 04if/04if	1
	22	40585	(001424-001505 ) Fitting, Brs, Str, Pm02/lf05	2
	23	50047	(001424-001505 ) Hose, Fuel, 0.25id 13.0l	1
	24	32587	(001424-001441 ) Nut, Water Trap	1
	25	32590	(001424-001441 ) Olive, Rubber	1
	26	16562	(001424-001441 ) Tube Assembly	1
	27	21298	(001442-001505 ) Filter, Fuel, In-Line	1
	28	47566	(001442-001505 ) Fitting, Hyd, Str, Pm02/Pm02	1
	29	392559	(001442-001505 ) Fuelline, .31ld 05if/05if Stl	1

Fig. 51 - Engine Fuel Tank Group, Gas (001508-001537)

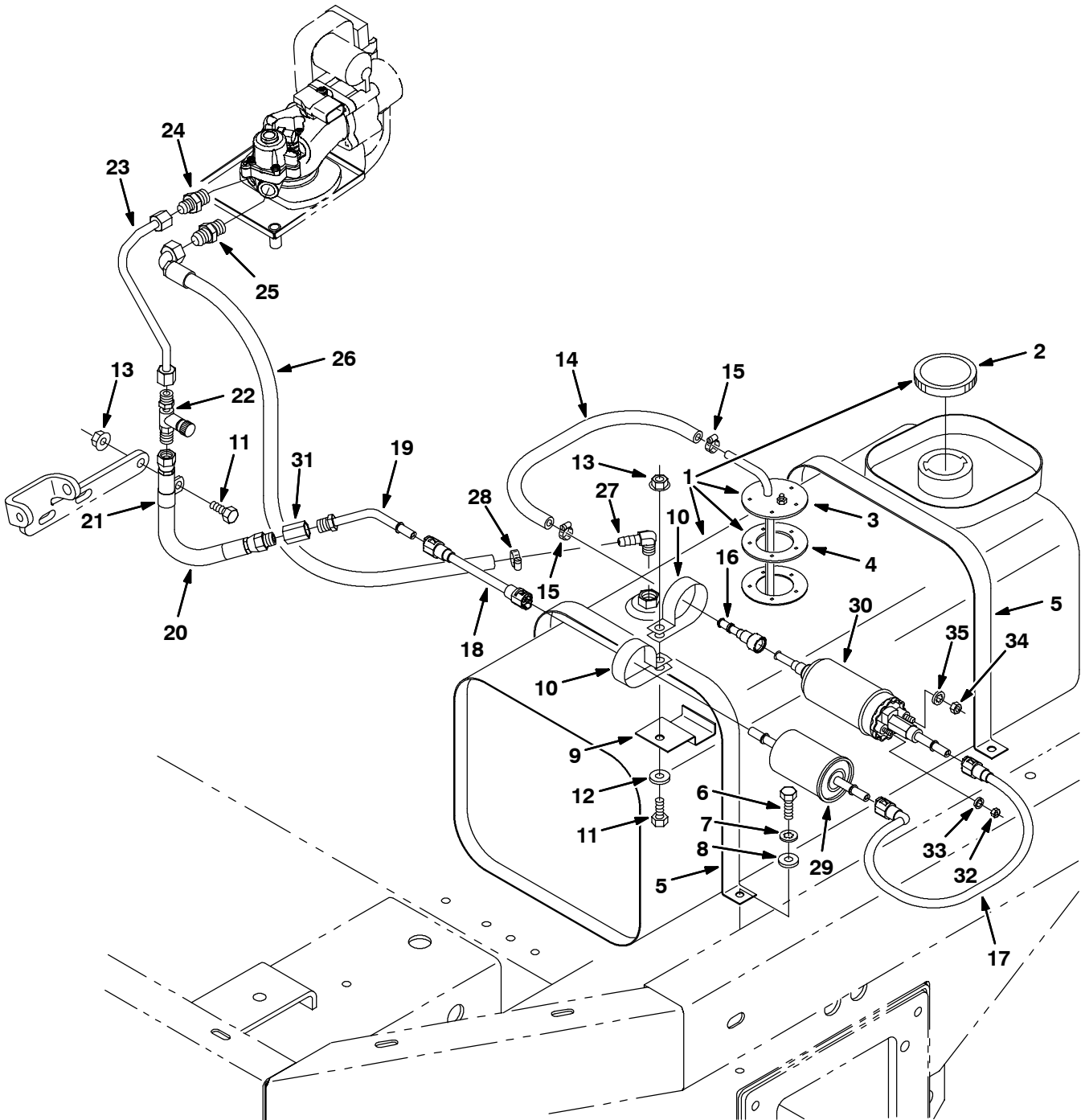


Fig. 51 - Engine Fuel Tank Group, Gas (001508-01537)

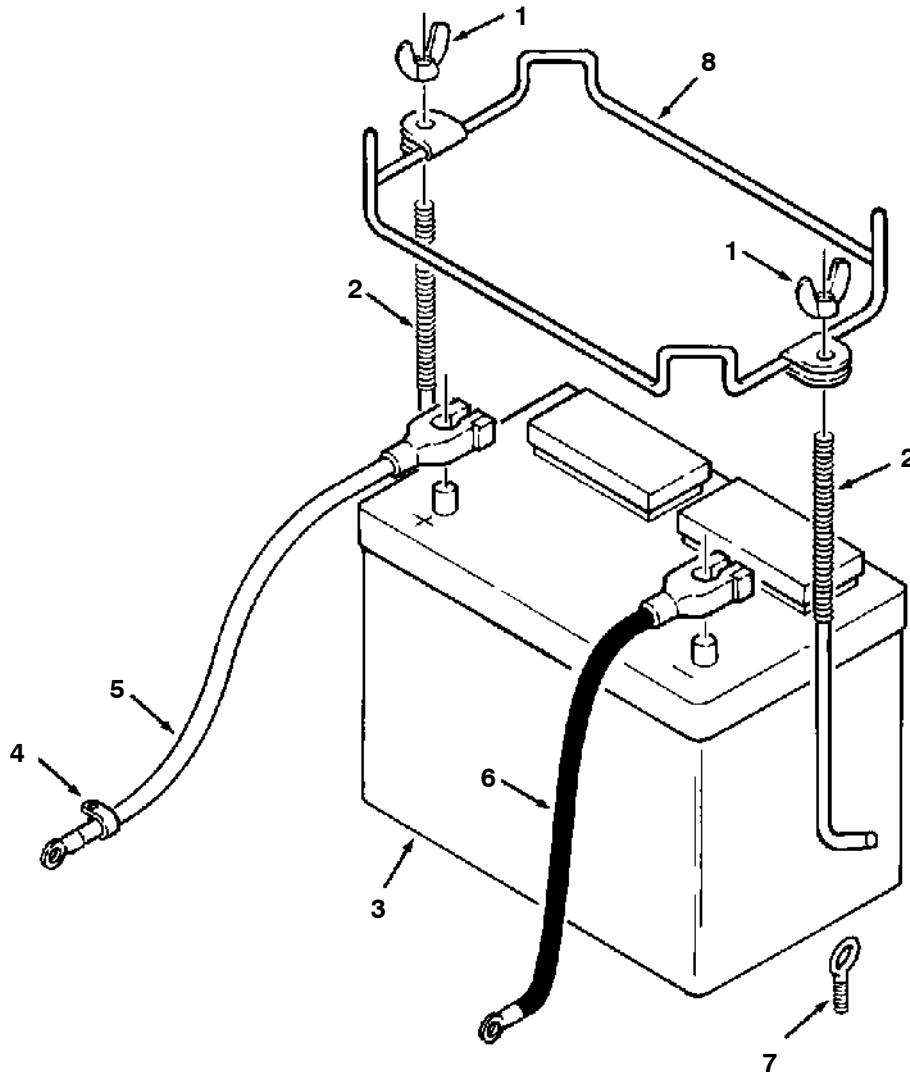
Ref.	Part No.	Serial Number	Description	Qty.
▽	1	1012112	(001508-001537 ) Tank, Fuel, 12 Gas 11.5 10.0 27.0	1
▲	2	48267	(001508-001537 ) Cap, Tank, Fuel, 2.3neck 2.6d	1
▲	3	372941	(001508-001537 ) Send-unit, Fuel	1
▲	4	1033897	(001508-001537 ) Gasket, Sender, Fuel	1
	5	04020	(001508-001537 ) Strap	2
	6	76955	(001508-001537 ) Screw, Hex, .31-18 X 1.00, 5	4
	7	32984	(001508-001537 ) Washer, Lock, Int, .31	4
	8	32491	(001508-001537 ) Washer, Flat, 0.31 Std	4
	9	1008988	(001508-001537 ) Bracket, Fltr, Fuel	1
	10	1011895	(001508-001537 ) Clamp, Cable, Stl, 2.00d X 0.75w, 1h	2
	11	54396	(001508-001537 ) Screw, Hex, .31-18 X 0.75, 5	2
	12	39349	(001508-001537 ) Washer, Flat, 0.31 Sae	1
	13	27979	(001508-001537 ) Nut, Hex, Flng, .31-18	2
	14	83591	(001508-001537 ) Hose, Fuel, 0.31id 16.0l	1
	15	43844	(001508-001537 ) Clamp, Hose, Wormdrive, 0.25-0.62d, .31w	2
	16	1013086	(001508-001537 ) Connector, Fuel, Qf	1
	17	1012314	(001508-001537 ) Fuelline, .31d E90/Str, Plstc	1
	18	1012248	(001508-001537 ) Fuelline, .31d Str/Str, Plstc	1
	19	1011980	(001508-001537 ) Fuelline, .31d 05if/Qm Stl	1
	20	70173	(001508-001537 ) Hose, 0050, 04, lm05str /lf05str , 10.0	1
	21	82829	(001508-001537 ) Clamp, Cable, Stl, 0.63d X 0.75w, 1h	1
	22	1014595	(001508-001537 ) Adapter, Fuelline	1
	23	1012469	(001508-001537 ) Fuelline, .31d 05if/05jf Stl	1
	24	1012677	(001508-001537 ) Fitting, Hyd, Str, Jm05/Om06	1
	25	56690	(001508-001537 ) Fitting, Hyd, Str, Jm06/Om06	1
	26	1013030	(001508-001537 ) Hose, Fuel, Jf06e90, 20.3l	1
	27	1015815	(001508-001537 ) Fitting, Brs, E90, Bm06/Pm04	1
	28	54333	(001508-001537 ) Clamp, Hose, Wormdrive, 0.31-0.88d, .31w	1
	29	372440	(001508-001537 ) Filter, Fuel [Gm 1.6l/3.0l]	1
	30	1011107	(001508-001537 ) Pump, Fuel, Hi-Press [Gm 1.6l/3.0l]	1
	31	25610	(001508-001537 ) Fitting, Brs, Str, lf05/lf05	1
	32	42368	(001508-001537 ) Nut, Hex, Std, M4 X 0.7, 8	1
	33	32978	(001508-001537 ) Washer, Lock, Int, #08	1
	34	50335	(001508-001537 ) Nut, Hex, Std, M5 X 0.8, 8	1
	35	32980	(001508-001537 ) Washer, Lock, Int, #10	1



Fig. 52 - Engine Fuel Tank Group, Gas (001538- )

Ref.	Part No.	Serial Number	Description	Qty.
▽	1	1032912	(001538- ) Tank, Fuel, 12.2gal, 11.50w 10.0hi 27.0l	1
▲	2	1033897	(001538- ) Gasket, Sender, Fuel	1
▲	3	1033899	(001538- ) Send-Unit, Fuel	1
▲	4	1032812	(001538- ) Cap, Fuel, Tank	1
	5	04020	(001538- ) Strap	2
	6	76955	(001538- ) Screw, Hex, .31-18 X 1.00, 5	4
	7	32984	(001538- ) Washer, Lock, Int, .31	4
	8	32491	(001538- ) Washer, Flat, 0.31 Std	4
	9	1032944	(001538- ) Bracket, Manifold, Mtg [550/1550 07]	1
	10	1011895	(001538- ) Clamp, Cable, Stl, 2.00d X 0.75w, 1h	2
	11	54396	(001538- ) Screw, Hex, .31-18 X 0.75, 5	2
	12	39349	(001538- ) Washer, Flat, 0.31 Sae	1
	13	27979	(001538- ) Nut, Hex, Flng, .31-18	2
	14	1033746	(001538- ) Hose, Fuel, 0.31id [Evap Emission 07]	2
	15	43844	(001538- ) Clamp, Hose, Wormdrive, 0.25-0.62d, .31w	4
	16	1013086	(001538- ) Connector, Fuel, Qf	2
	17	1013509	(001538- ) Fuelline, .31d Str/Str, Plstc [8200]	2
	18	1030485	(001538- ) Fuelline, .31d E90, 05/06, Plstc	1
	19	1032936	(001538- ) Bracket, Mtg, Fuel Tank [550/1550 07]	1
	20	9000355	(001538- ) Fitting, Brs, E90, Em05/Pm04	2
	21	46236	(001538- ) Clamp, Cable, Stl, 0.25d X 0.56w, 1hole	1
	22	06949	(001538- ) Screw, Hex, M6 X 1.00 X 50, 8.8	2
	23	32490	(001538- ) Washer, Flat, 0.25, Std	2
	24	08708	(001538- ) Nut, Hex, Lock, M6 X 1.00, NI	2
	25	1028924	(001538- ) Manifold, Gas, Relief, Valve	1
	26	1029293	(001538- ) Fitting, Fuel, Str, 0.56-18 [07 Eng]	2
	27	1029295	(001538- ) Fitting, Fuel, Str, 0.38-24 [07 Eng]	1
	28	385009	(001538- ) Harness, Manifold, Gas	1
	29	372440	(001538- ) Filter, Fuel [Gm 1.6l/3.0l]	1
	30	1011107	(001538- ) Pump, Fuel, Hi-Press [Gm 1.6l/3.0l]	1
	31	42368	(001538- ) Nut, Hex, Std, M4 X 0.7, 8	1
	32	32978	(001538- ) Washer, Lock, Int, #08	1
	33	50335	(001538- ) Nut, Hex, Std, M5 X 0.8, 8	1
	34	32980	(001538- ) Washer, Lock, Int, #10	1

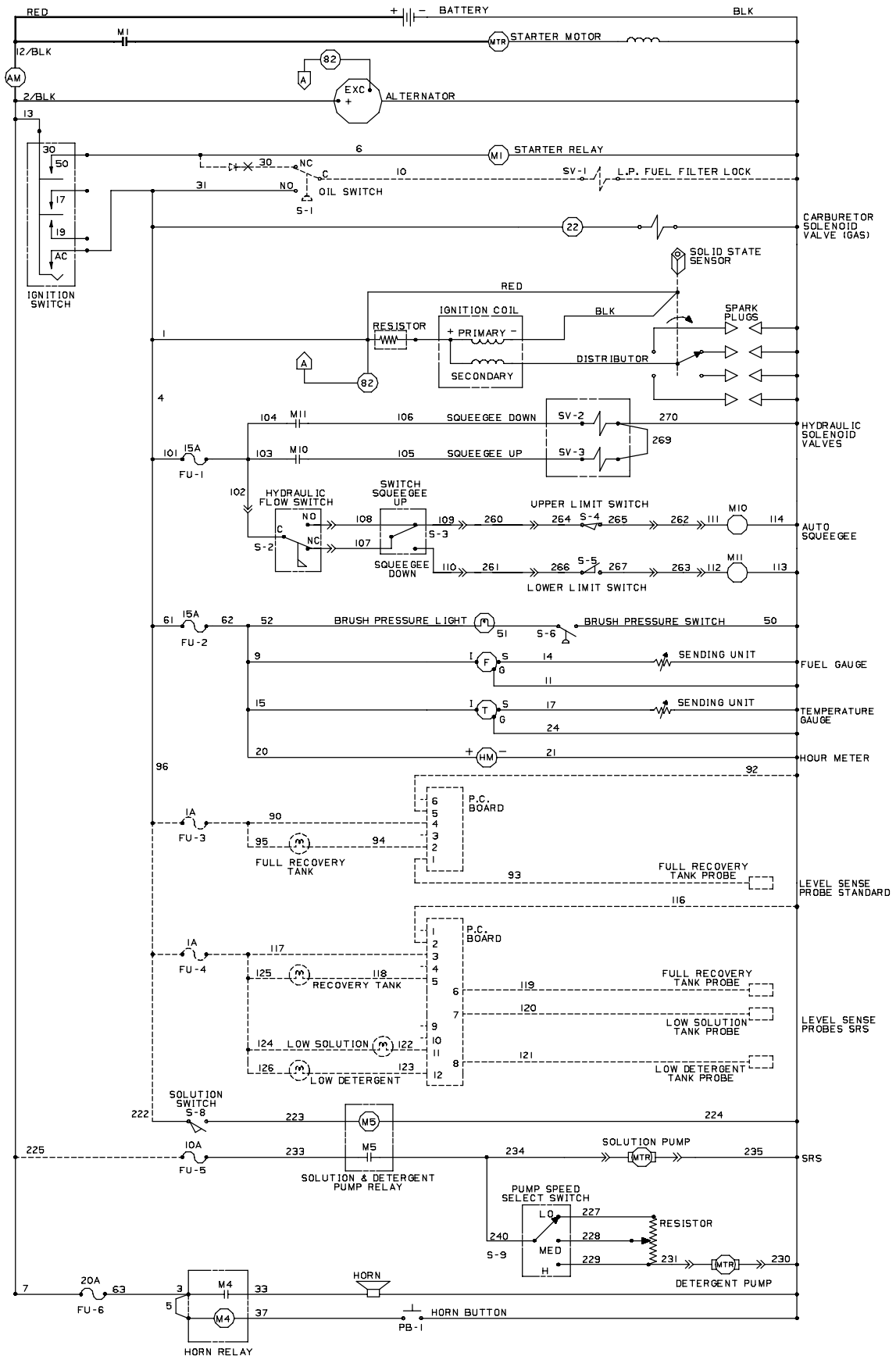
**Fig. 53 - Engine Battery Group, Gas/LPG**



02376 - 1550, 550, G, LP

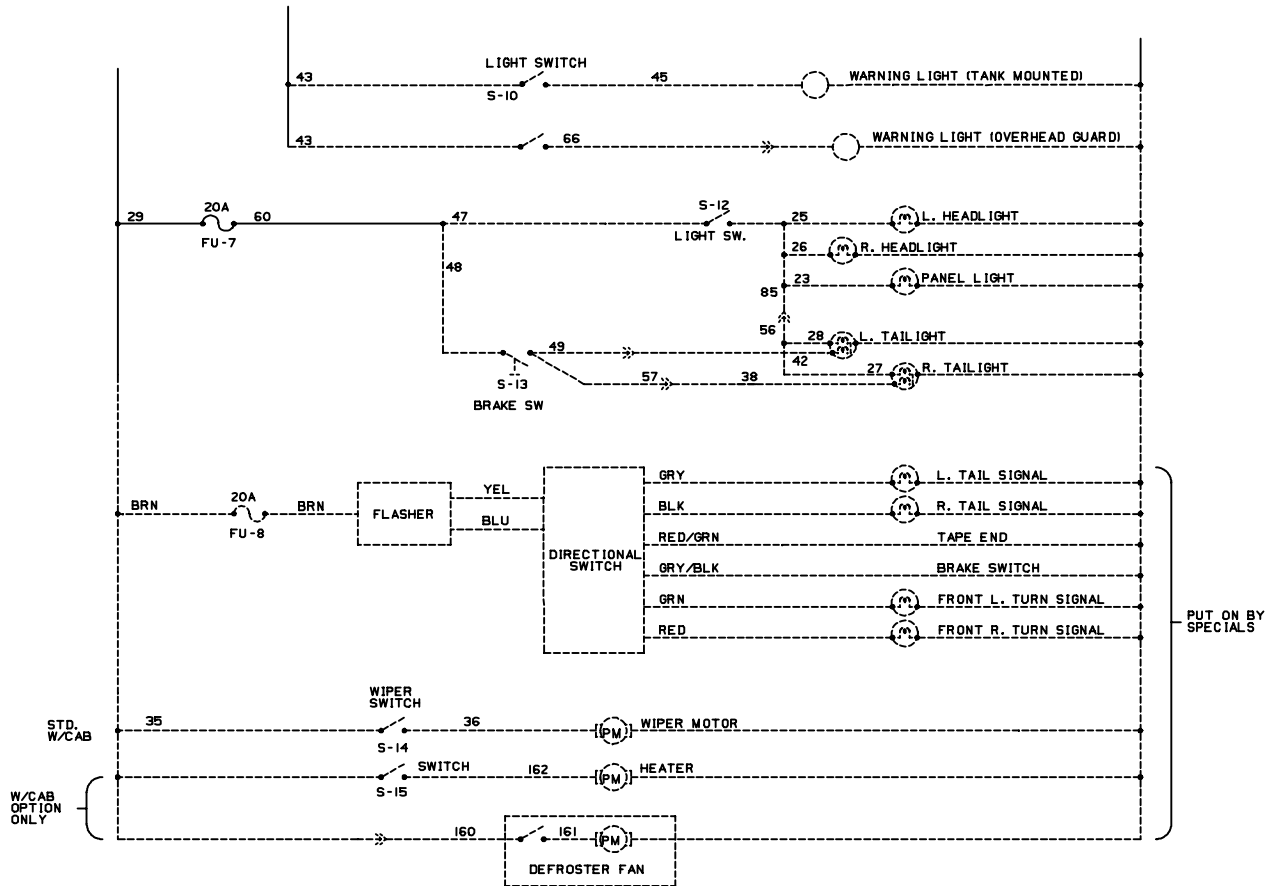
Ref.	Part No.	Serial Number	Description	Qty.
1	39272	(001000-	) Nut, Wing	2
2	13015	(001000-	) Bolt, Hold Down	2
3	10143	(001000-	) Battery, 540 CCA	1
4	76736	(001000-	) Clamp, Cable	3
5	48899	(001000-001423	) Cable, Positive Battery	1
5	60294	(001424-	) Cable, Positive Battery	1
6	29831-6	(001000-001505	) Cable, Negative Battery	1
6	60295	(001508-	) Cable, Negative Battery	1
7	11893	(001000-	) Eyebolt	2
8	13016	(001000-	) Bracket, Battery, L	1

Fig. 54 - Electrical Schematic, Gas/LPG (001000-001423)



06182 - 550, 1550, G, LP

Fig. 55 - Electrical Schematic, Options (001000-001505)

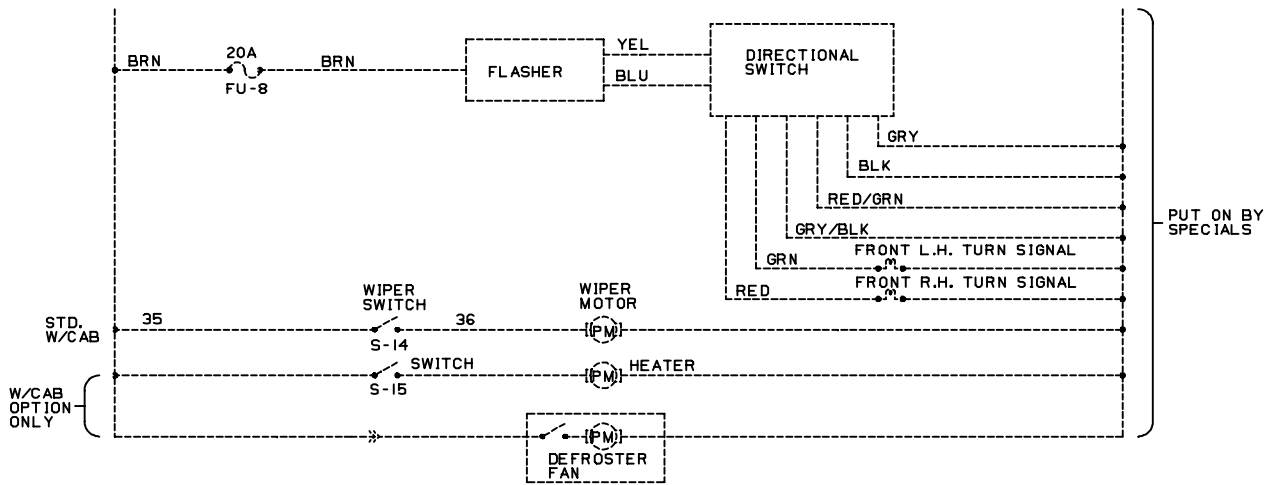


LEGEND			
M	POWER RELAY	HM	HOURLMETER
MTR	MOTOR	SV	SOLENOID VALVE
CB	CIRCUIT BREAKER	S	SWITCH
PM	PERMANENT MAGNET	ACC	ACCESSORY
J	JACK-FEM. SOCKET	GND	GROUND CHASSIS
P	PLUG-MALE PIN	C	COMMON
PB	PUSHBUTTON	N.O.	NORMALLY OPEN
VM	VOLTMETER	N.C.	NORMALLY CLOSED
FU	FUSE		

06182 - 550, 1550



Fig. 56 - Electrical Schematic, Specials (001000-001505)



PAGE 2 OF 2

LEGEND			
M	POWER RELAY	HM	HOURLMETER
MTR	MOTOR	SV	SOLENOID VALVE
CB	CIRCUIT BREAKER	S	SWITCH
PM	PERMANENT MAGNET	ACC	ACCESSORY
J	JACK-FEM. SOCKET	GND	GROUND CHASSIS
P	PLUG-MALE PIN	C	COMMON
PB	PUSHBUTTON	N.O.	NORMALLY OPEN
VM	VOLTMETER	N.C.	NORMALLY CLOSED
FU	FUSE		

00363 - 550, 1550

## Fig. 57 - Electrical Schematic, Gas/LPG (001424-001505)

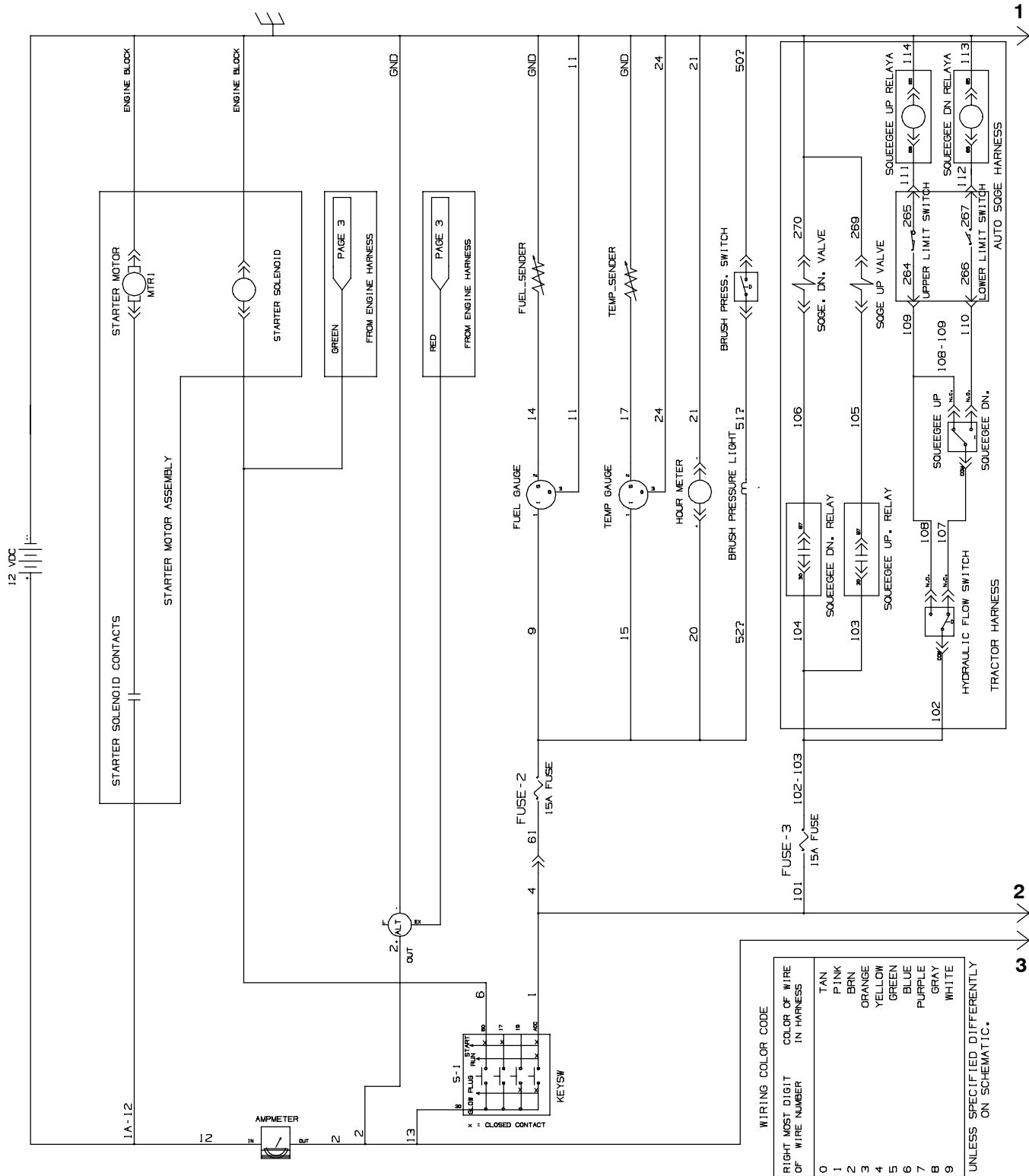


Fig. 57 - Electrical Schematic, Gas/LPG (001424-001505)

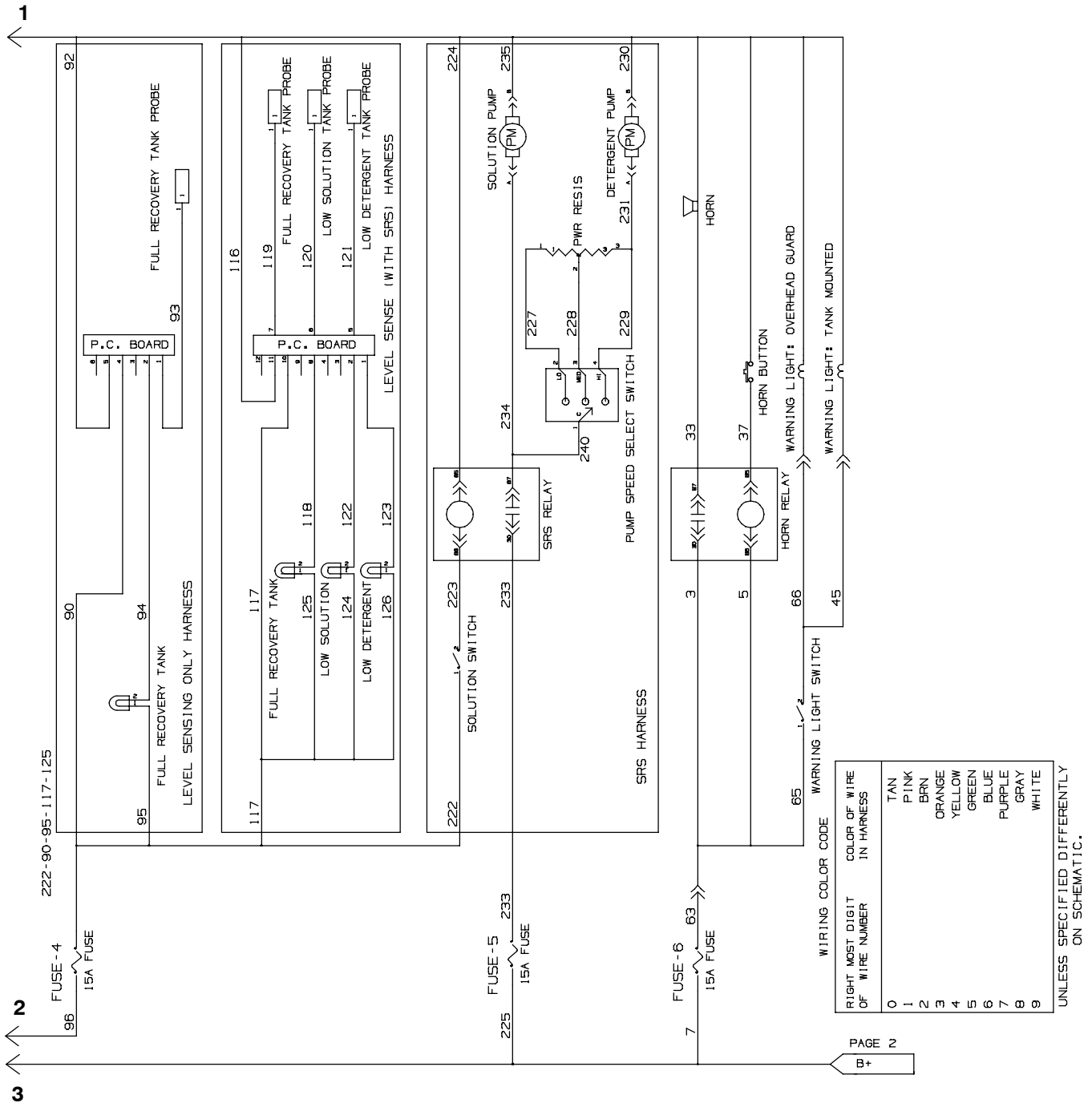


Fig. 57 - Electrical Schematic, Gas/LPG (001424-001505)

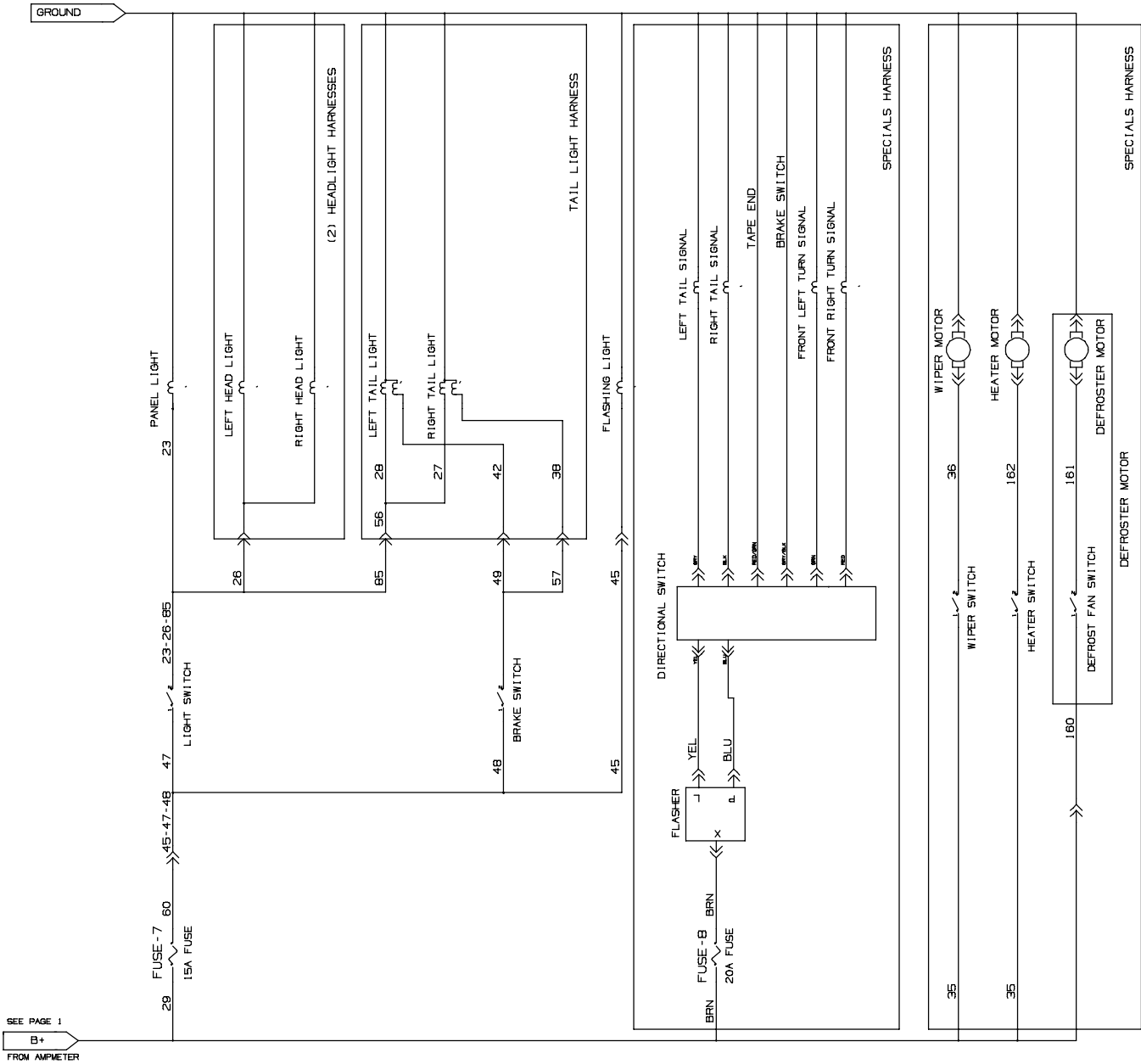


Fig. 57 - Electrical Schematic, Gas/LPG (001424-001505)

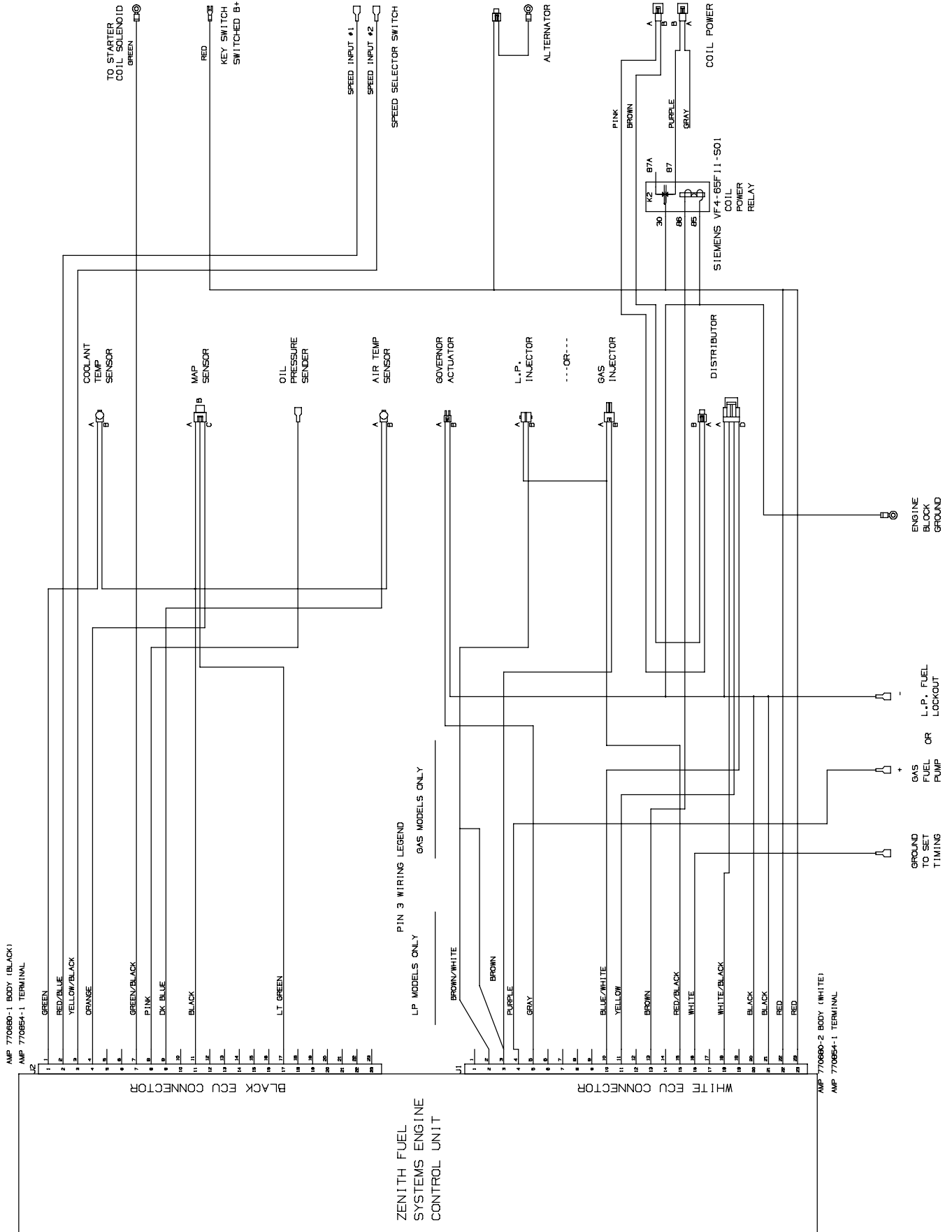


Fig. 58 - Electrical Schematic, Gas/LPG (001508-001537)

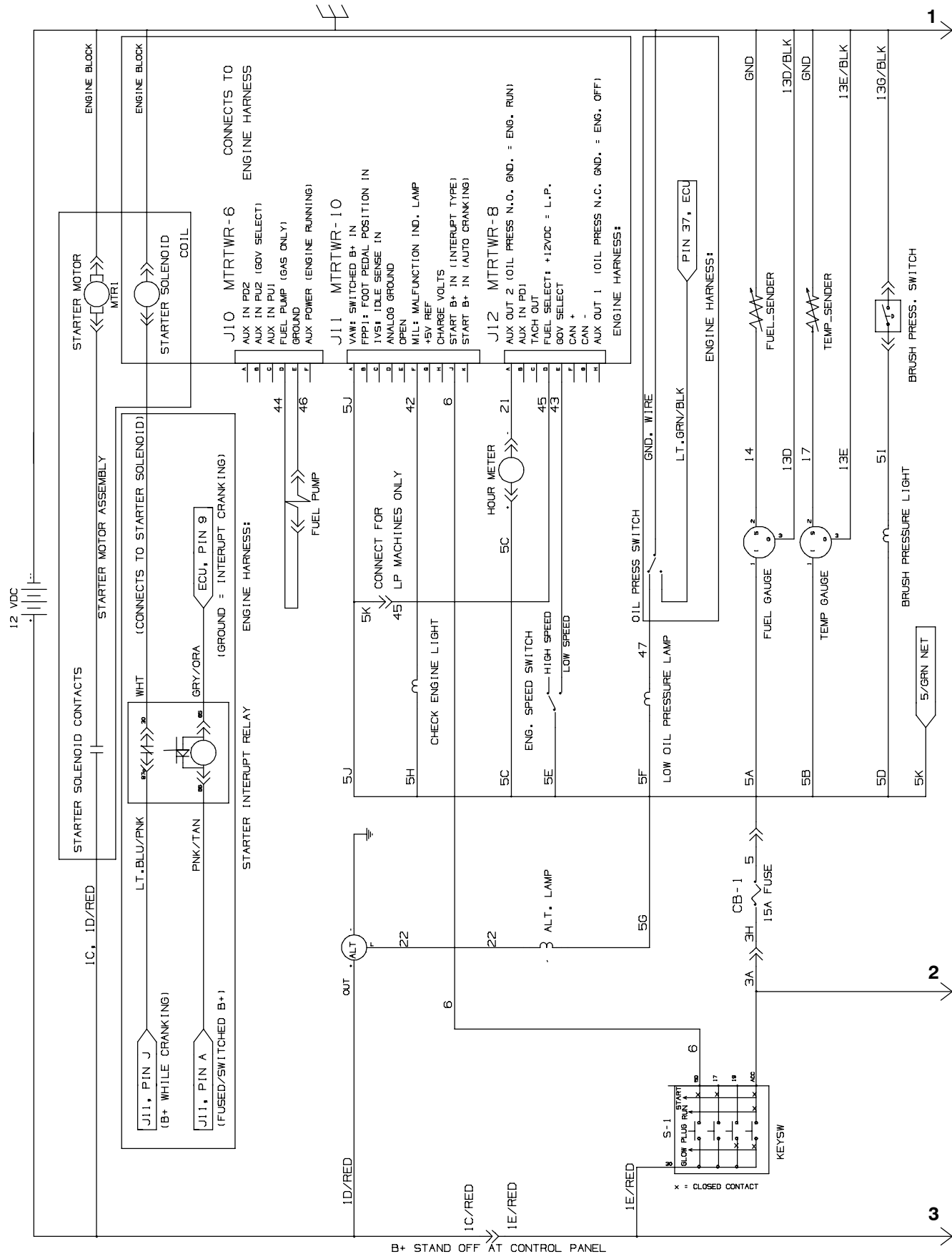
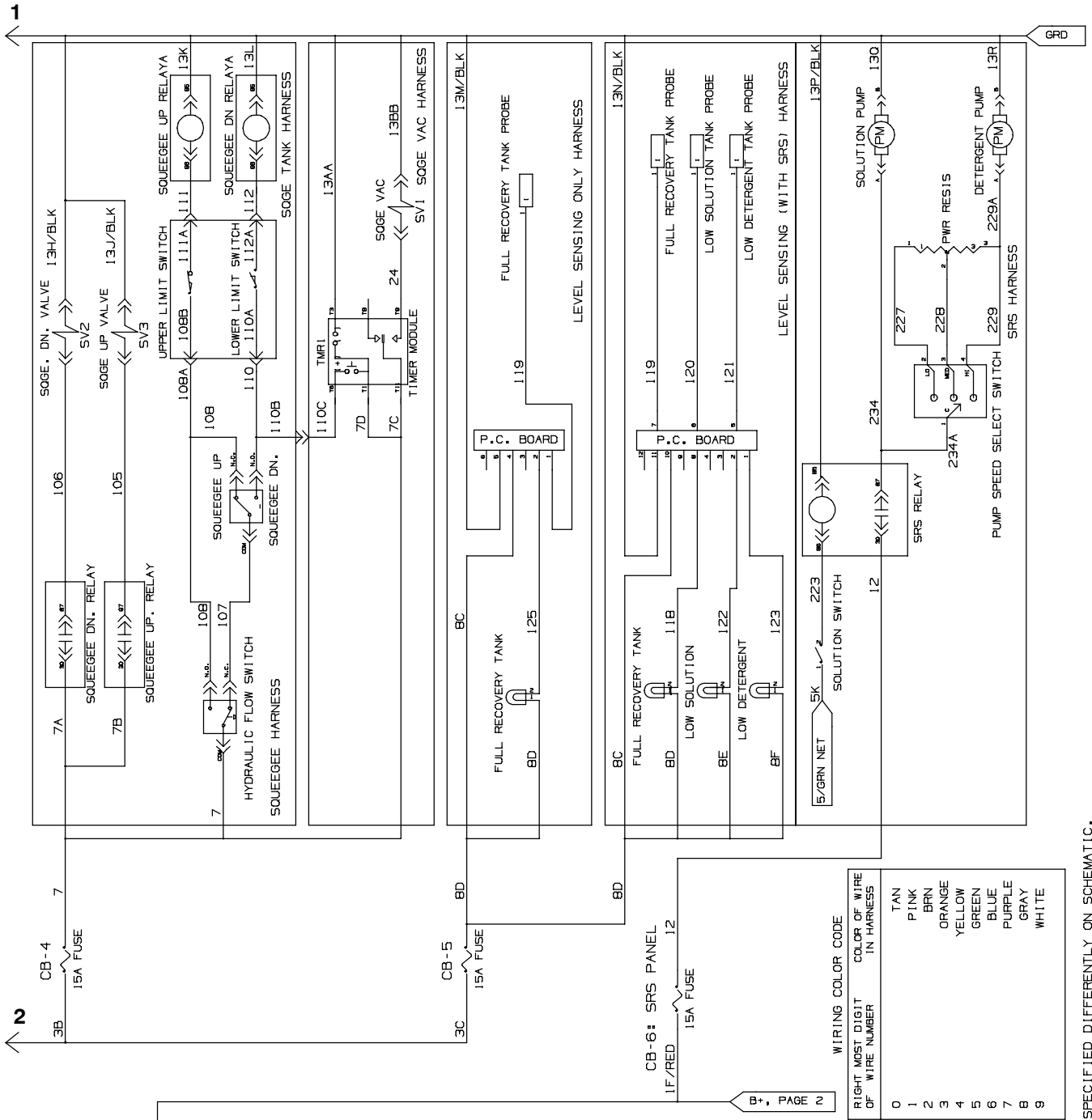


Fig. 58 - Electrical Schematic, Gas/LPG (001508-001537)



UNLESS SPECIFIED DIFFERENTLY ON SCHEMATIC.

Fig. 58 - Electrical Schematic, Gas/LPG (001508-001537)

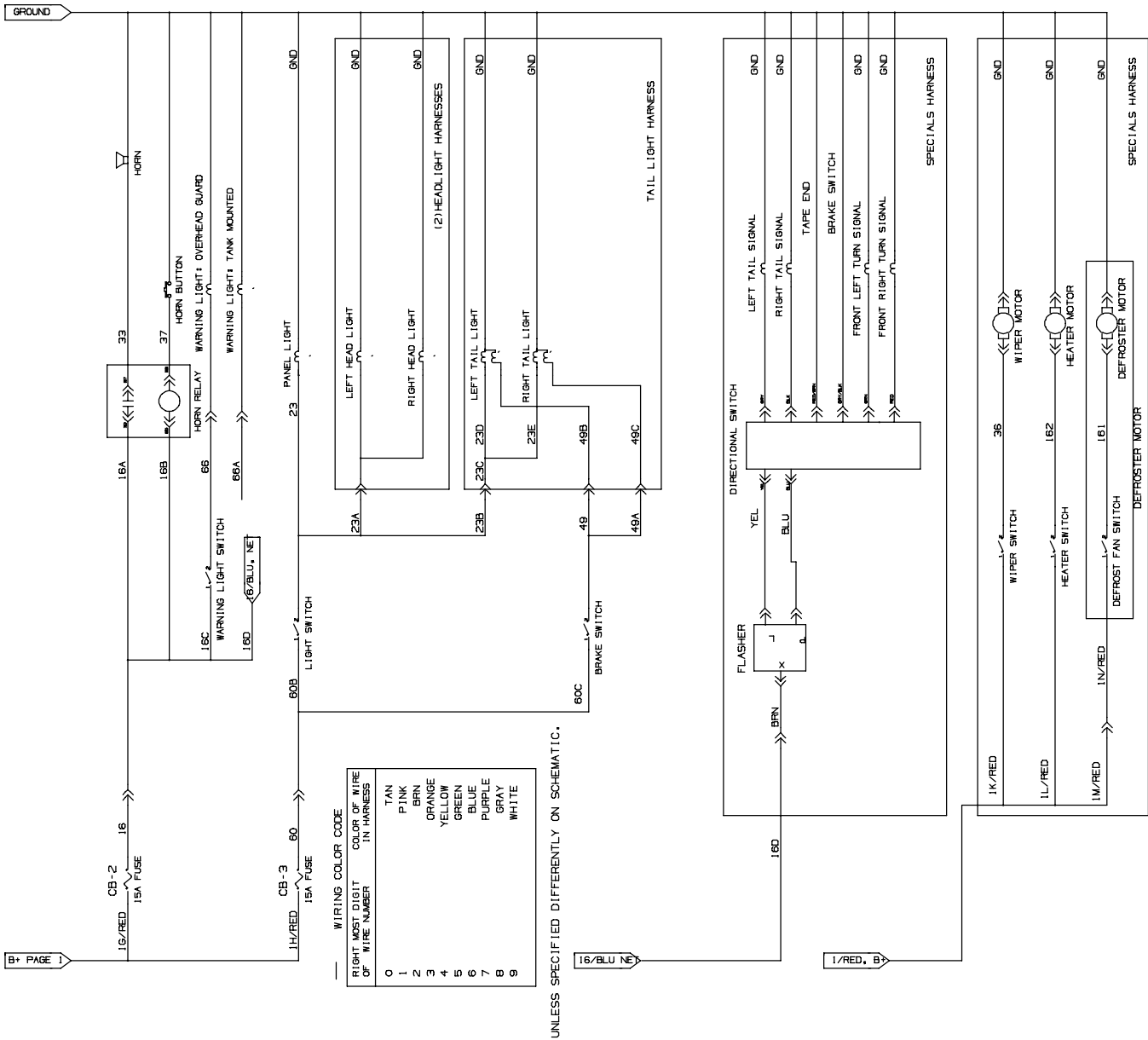
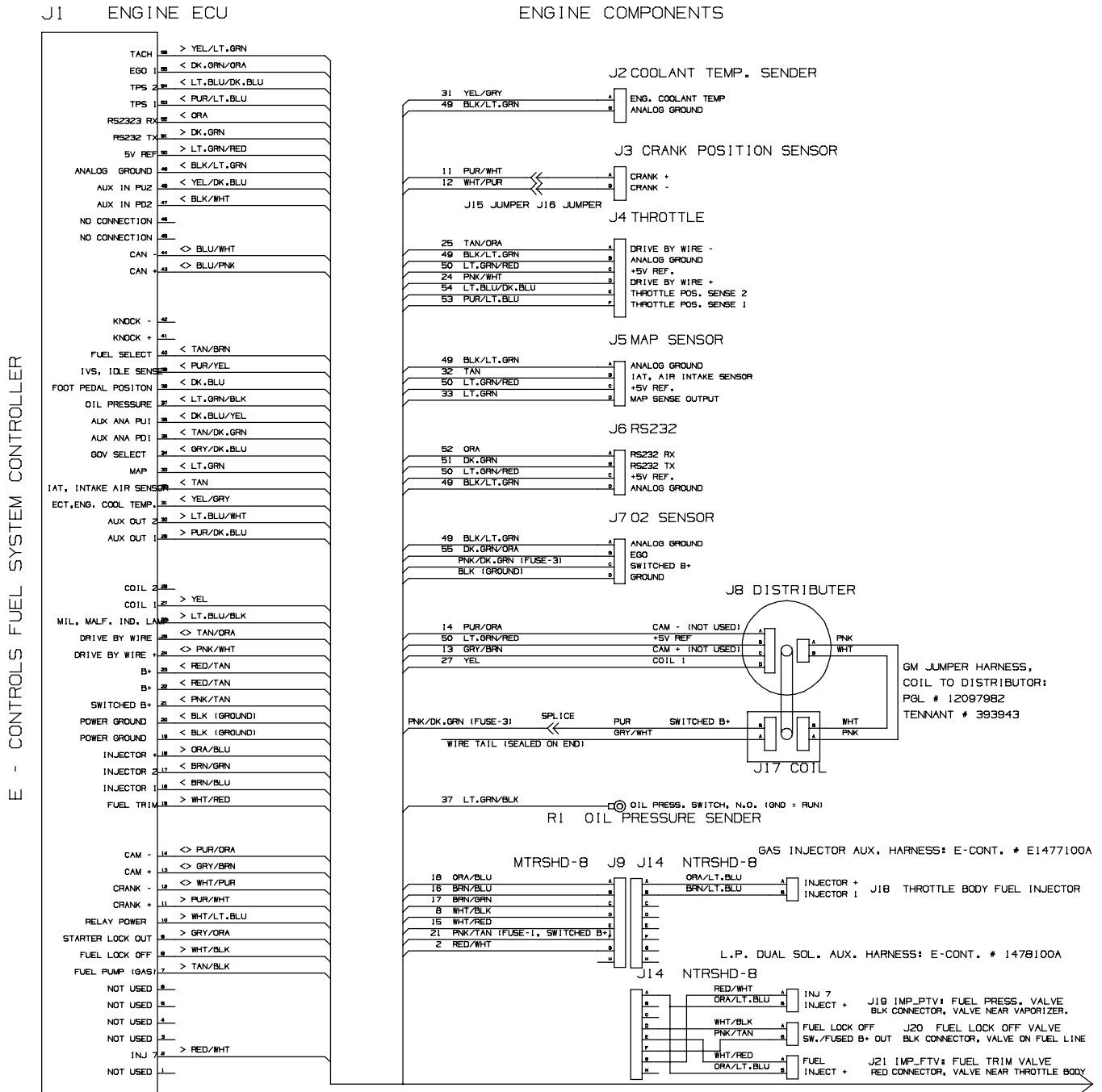


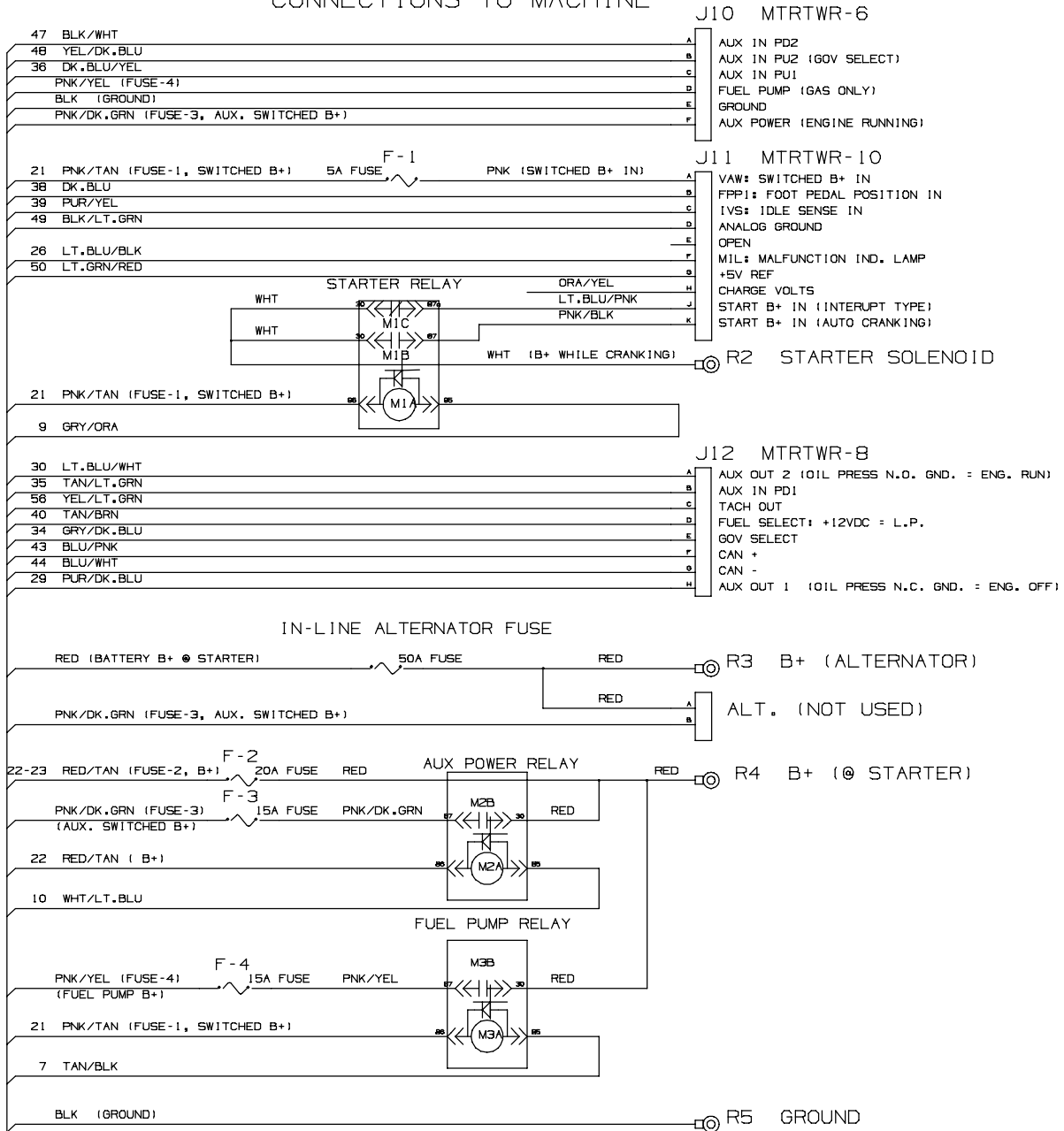


Fig. 58 - Electrical Schematic, Gas/LPG (001508-001537)



## Fig. 58 - Electrical Schematic, Gas/LPG (001508-001537)

### CONNECTIONS TO MACHINE



**NOTES:**

- 1) VENDOR: E-CONTROLS #E1350010E
- 2) ALL WIRE TO BE: SAE J1128 TXL
- 3) 3.0L GAS ENGINES INC. AUX. INJECTOR HARNESS:  
E-CONTROLS #E1477100A
- 4) L.P. ENGINES INCLUDE AUX. INJECTOR HARNESS:  
E-CONTROLS #E1478100

Fig. 59 - Electrical Schematic (001538- )

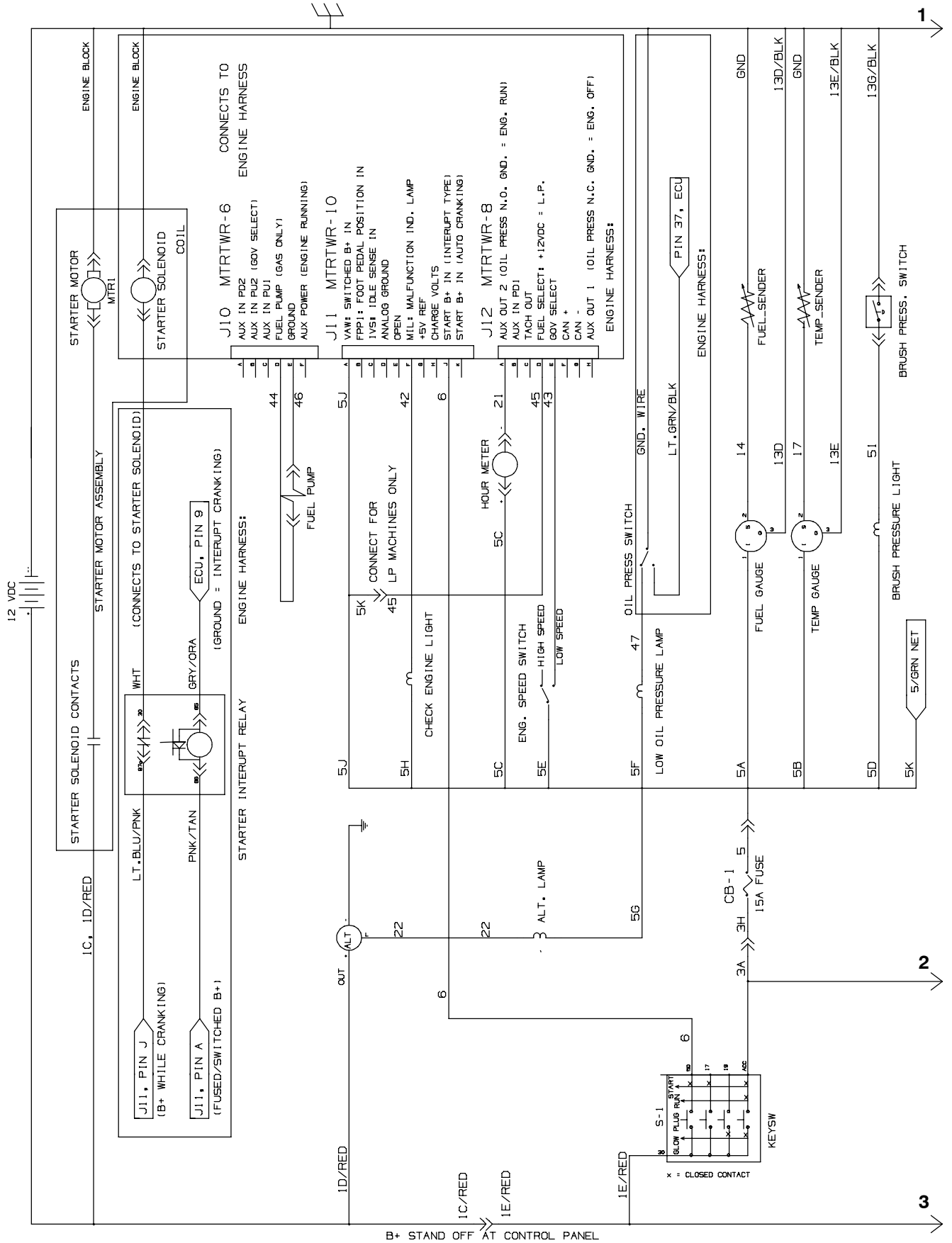
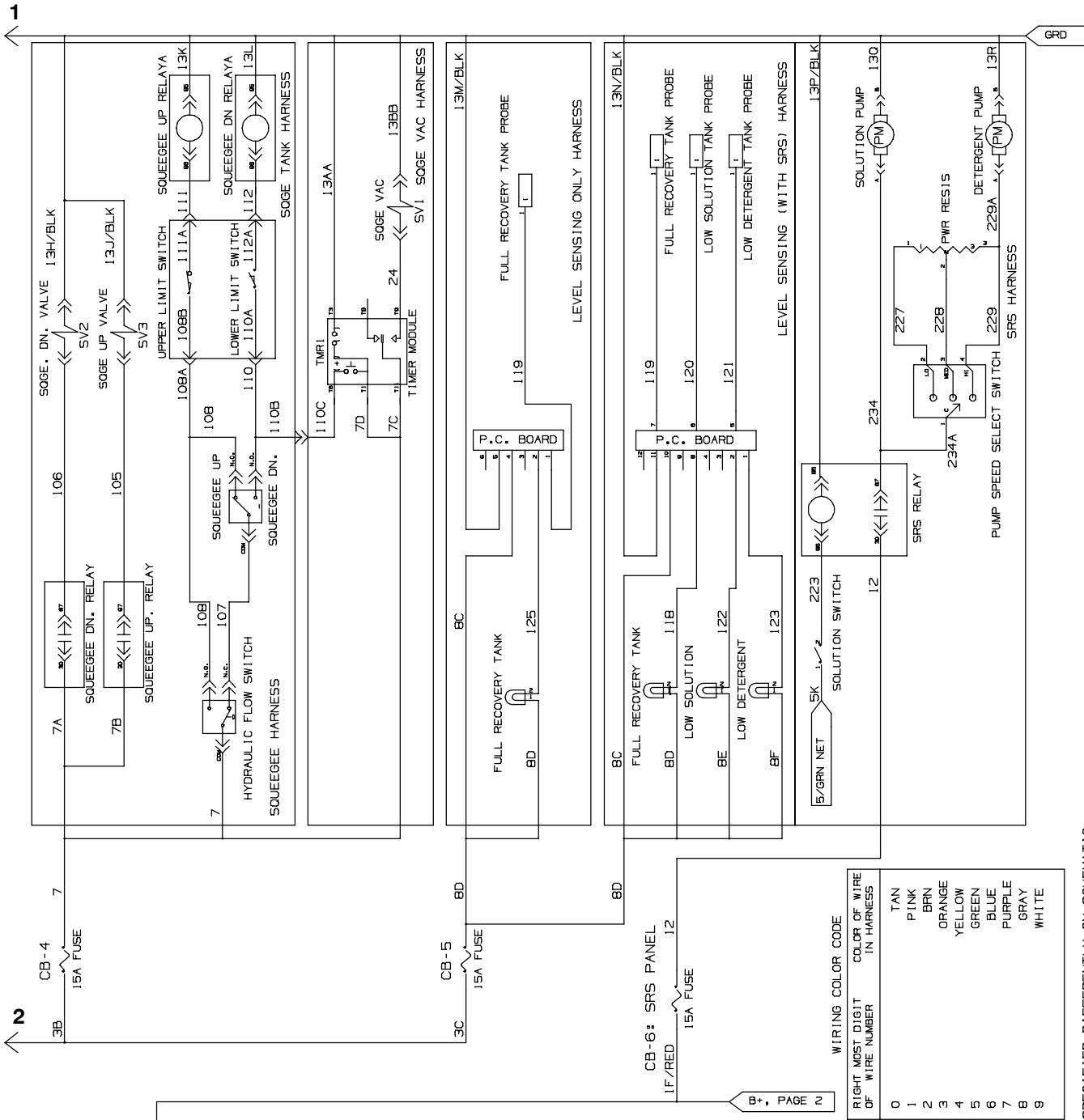


Fig. 59 - Electrical Schematic (001538- )



UNLESS SPECIFIED DIFFERENTLY ON SCHEMATIC.

Fig. 59 - Electrical Schematic (001538- )

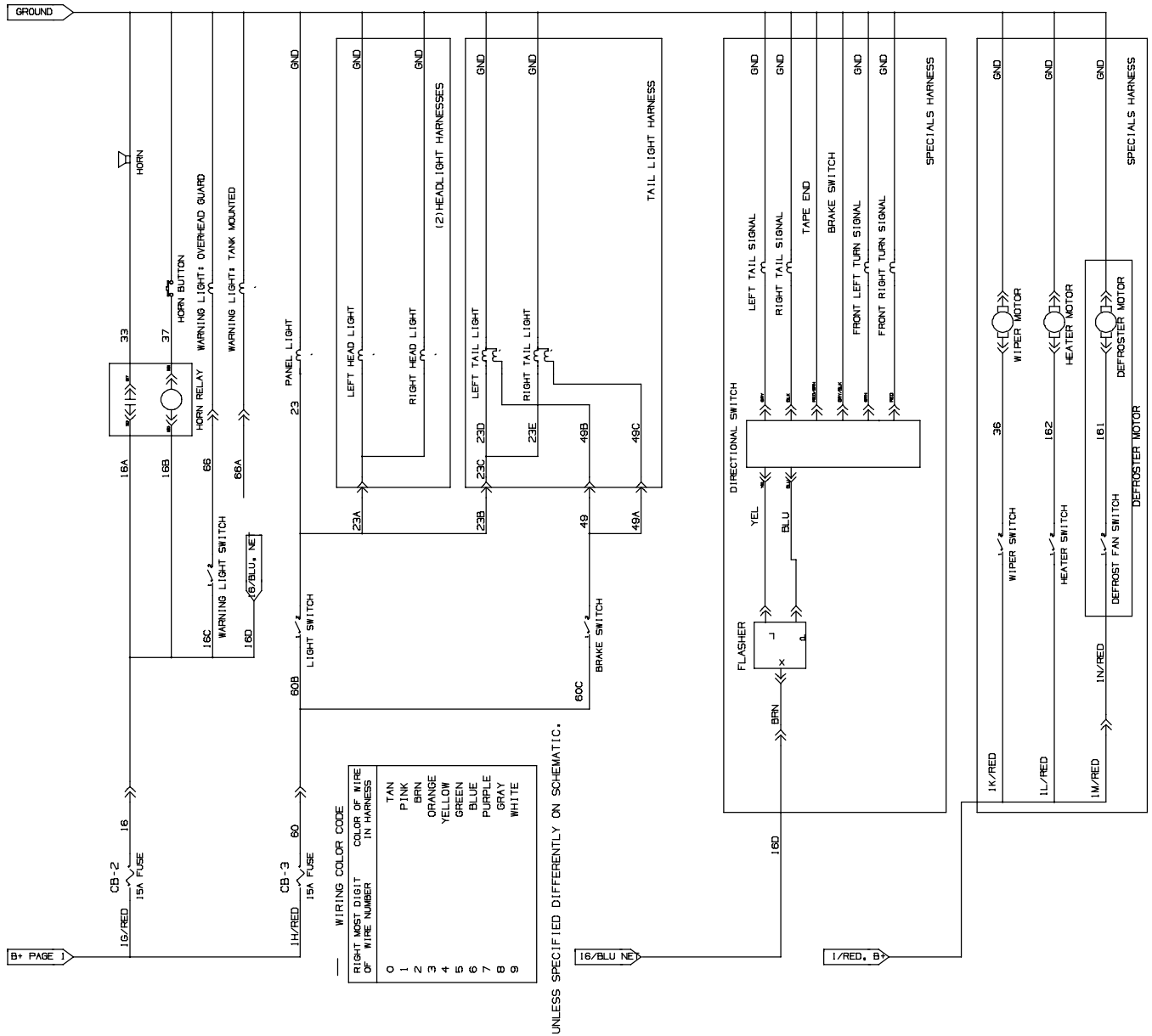


Fig. 59 - Electrical Schematic (001538- )

Gas Engine Harness Schematic

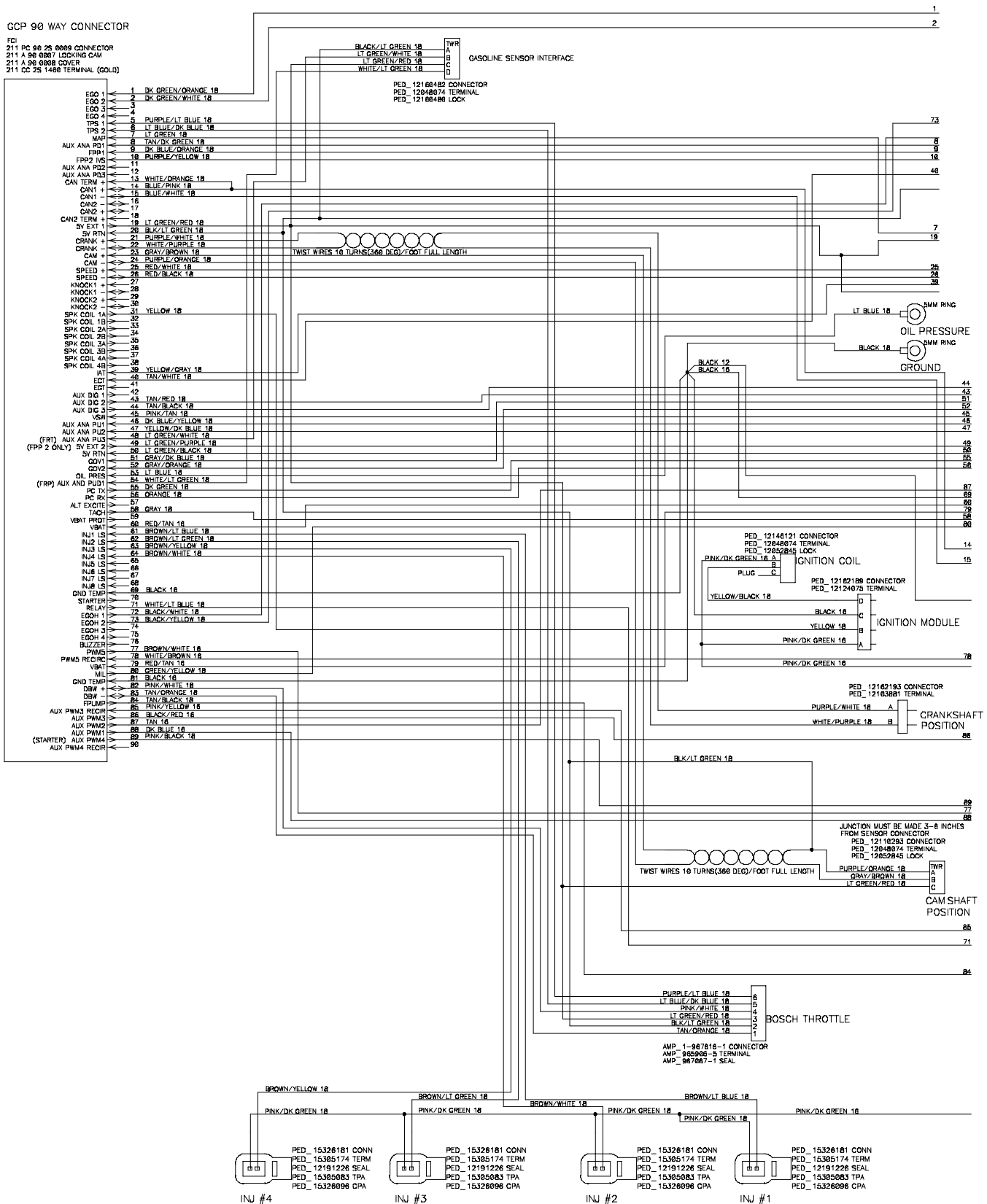
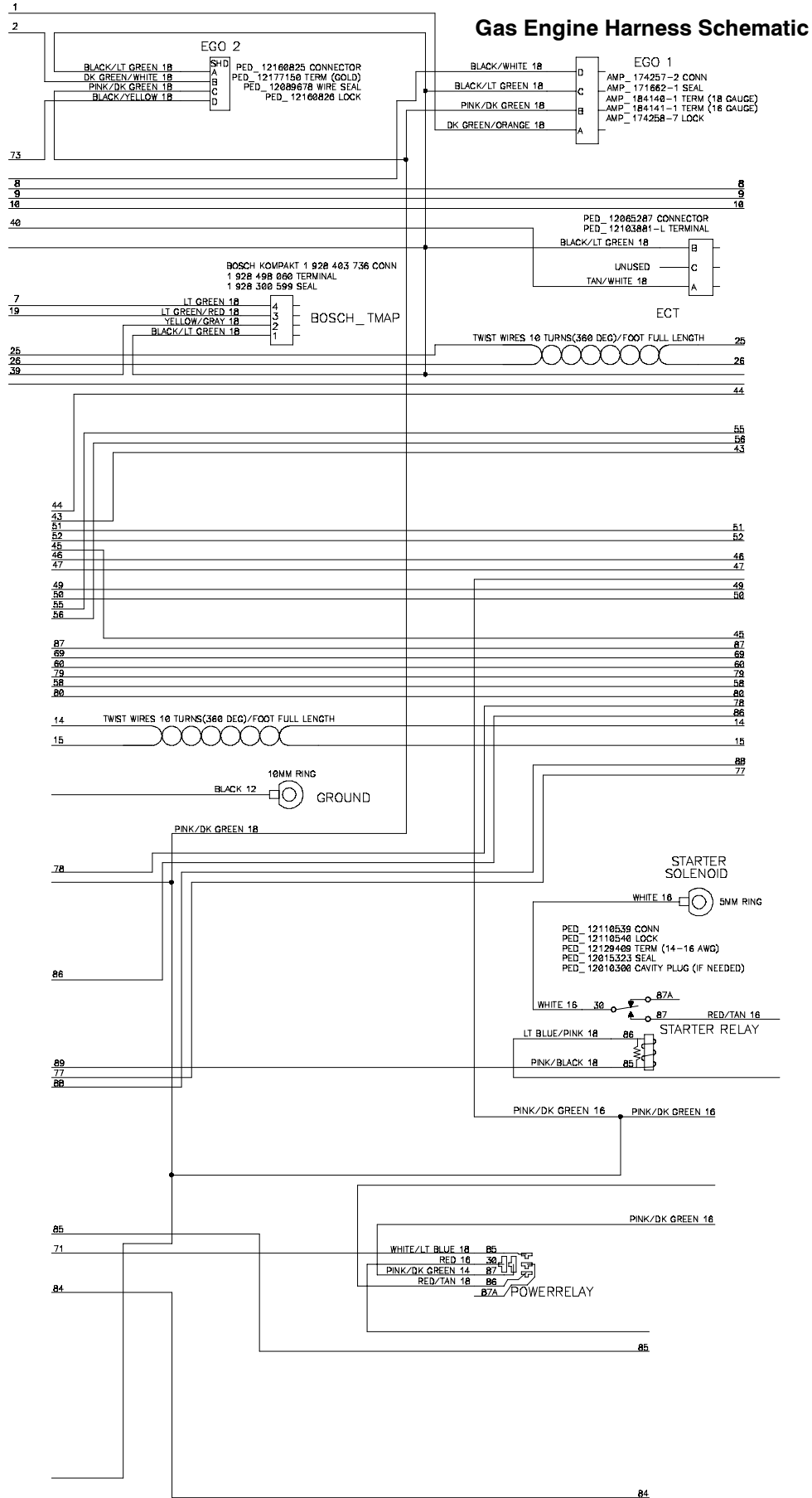


Fig. 59 - Electrical Schematic (001538- )



**Fig. 59 - Electrical Schematic (001538- )**

**Gas Engine Harness Schematic**

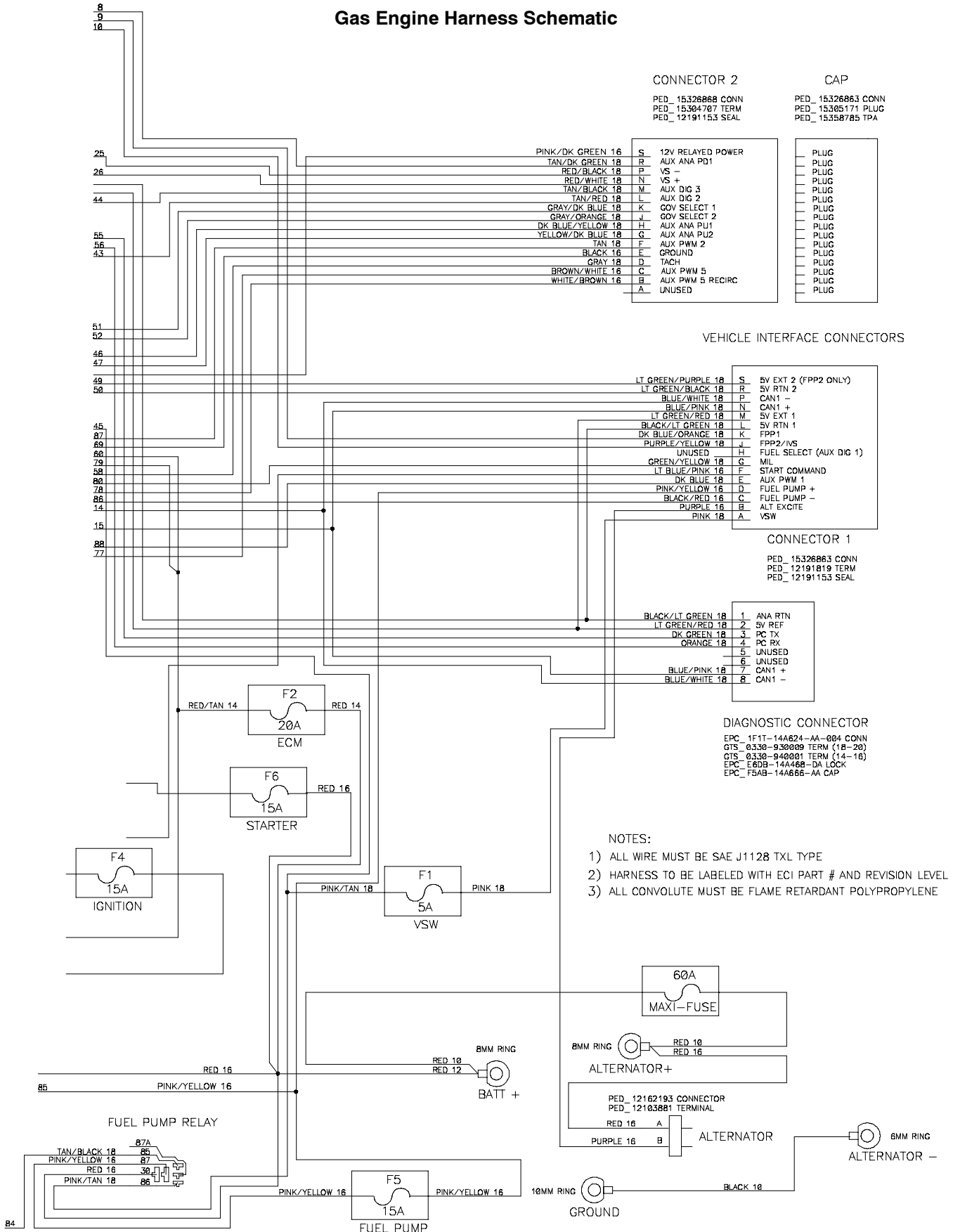
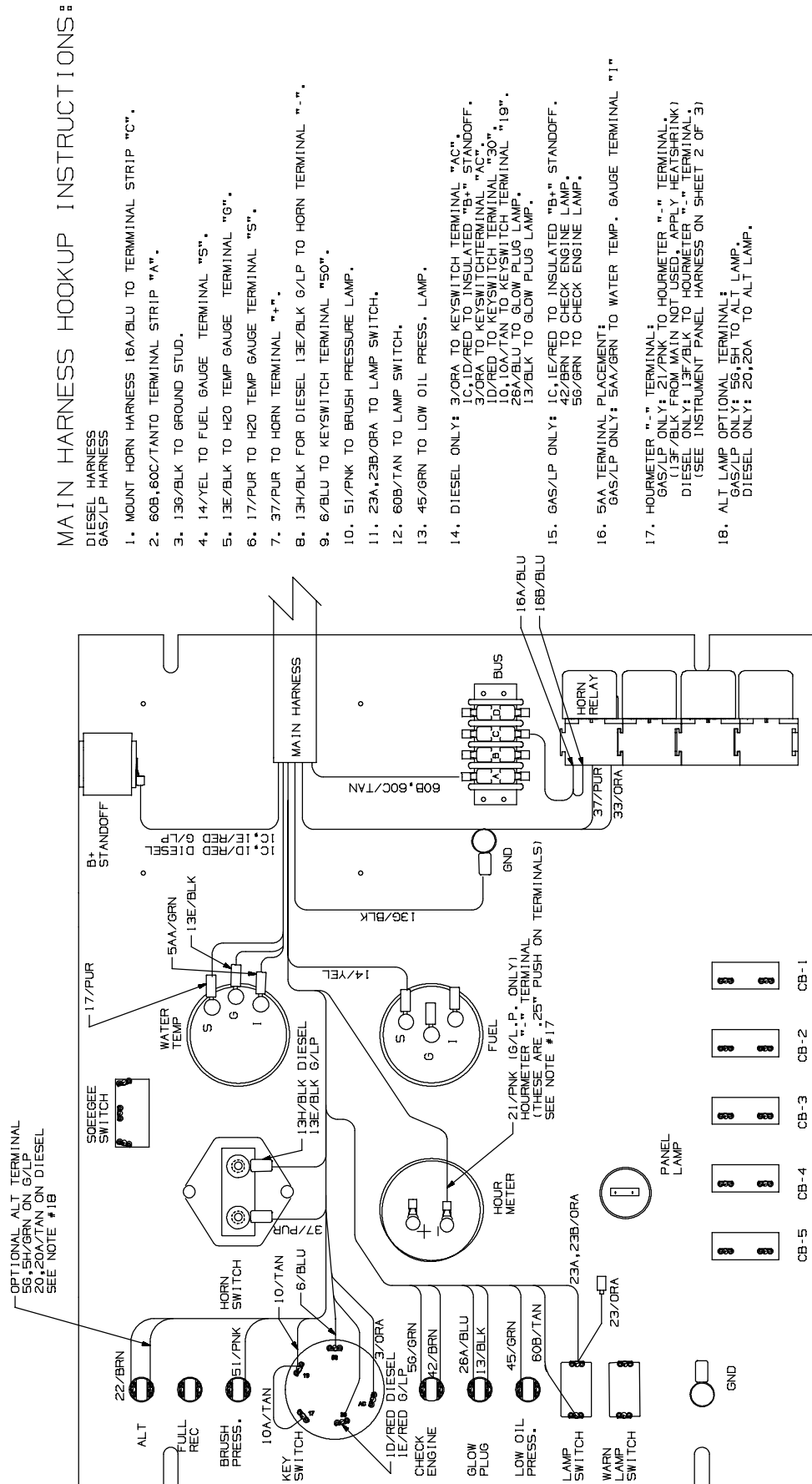




Fig. 60 - Electrical Wiring Diagram, Instrument Panel (001508- )

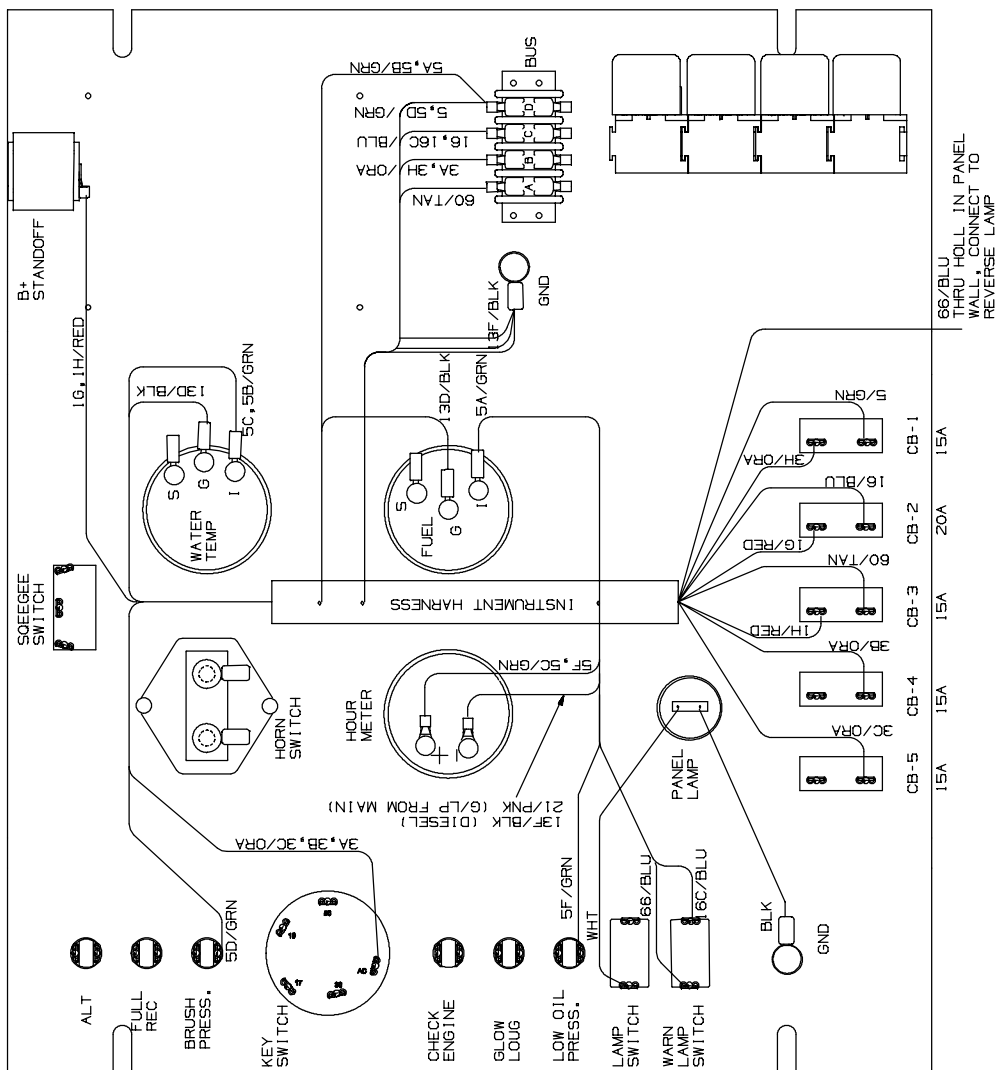


15A 15A 15A 20A 15A  
 CB-5 CB-4 CB-3 CB-2 CB-1  
**DETAIL 1**  
 WIRING DIAGRAM FOR  
 MAIN HARNESS WIRES  
 SEE SHIT 2 FOR CONTROL  
 PANEL HARNESS

Fig. 60 - Electrical Wiring Diagram, Instrument Panel (001508- )

PANEL HARNESS HOOKUP INSTRUCTIONS:

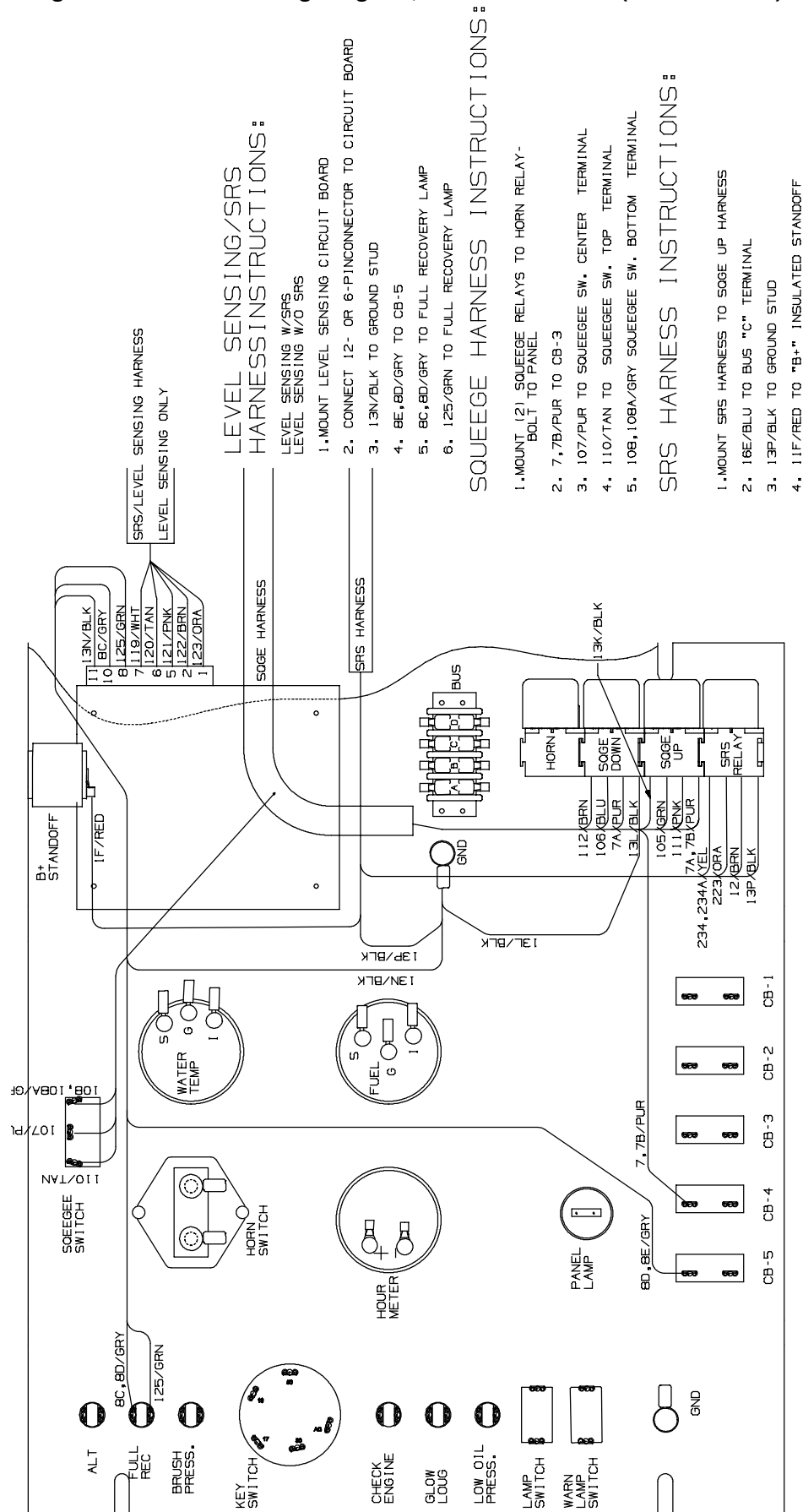
- PANEL HARNESS
1. 5/GRN TO CB-1
  2. 3H/ORR TO CB-1
  3. 1G/RED TO CB-2
  4. 16/BLU TO CB-2
  5. 60/TAN TO CB-3
  6. 1H/RED TO CB-3
  7. 3B/ORR TO CB-4
  8. 3C/ORR TO CB-5
  9. 13F/BLK TO HOURMETER "-" TERMINAL
  10. 5F,5C/GRN TO HOURMETER "+" TERMINAL
  11. 5F/GRN TO LOW OIL PRESSURE LAMP
  12. 13A,13/D,13/F BLK TO GROUND STUD
  13. 13D/BLK TO FUEL GAUGE "G" TERMINAL
  14. 60/TAN TO BUS TERMINAL "A"
  15. 3A,3H/ORR TO BUS TERMINAL "B"
  16. 16,16C/BLU TO BUS TERMINAL "C"
  17. 5,5D/GRN TO BUS TERMINAL "D"
  18. 5A,5B/GRN TO BUS TERMINAL "D"
  19. 3A,3B,3C/ORR TO KEYSWITCH "AC"
  20. 5D/GRN TO BRUSH PRESS. LAMP
  21. 5C,5B/GRN TO WATER TEMP GAUGE "I" TERMINAL
  22. 13A/BLK TO WATER TEMP GAUGE "G" TERMINAL
  23. 1G,1H/RED TO INSULATED "B+" STANDOFF
  24. WARNING LAMP OPTION: 66/BLU TO WARNING LAMP SWITCH  
16C/BLU TO WARNING LAMP SWITCH  
66/BLU TO REVERSE LAMP
  25. PANEL LAMP OPTION: PANEL LAMP WHITE WIRE TO LAMP SWITCH  
PANEL LAMP BLACK WIRE TO GROUND STUD



DETAIL 2

WIRING DIAGRAM CONTROL  
PANEL HARNESS WIRES  
SEE SHIT 1 FOR MAIN  
HARNESS WIRING

Fig. 60 - Electrical Wiring Diagram, Instrument Panel (001508- )



LEVEL SENSING/SRS HARNESS INSTRUCTIONS:

1. MOUNT LEVEL SENSING CIRCUIT BOARD
2. CONNECT 12- OR 6-PIN CONNECTOR TO CIRCUIT BOARD
3. 13N/BLK TO GROUND STUD
4. 8E, 8D/GRY TO CB-5
5. 8C, 8D/GRY TO FULL RECOVERY LAMP
6. 125/GRN TO FULL RECOVERY LAMP

SOUEEGEE HARNESS INSTRUCTIONS:

1. MOUNT (2) SOUEEGEE RELAYS TO HORN RELAY-BOLT TO PANEL
2. 7, 7B/PUR TO CB-3
3. 107/PUR TO SOUEEGEE SW. CENTER TERMINAL
4. 110/TAN TO SOUEEGEE SW. TOP TERMINAL
5. 108, 108A/GRY SOUEEGEE SW. BOTTOM TERMINAL

SRS HARNESS INSTRUCTIONS:

1. MOUNT SRS HARNESS TO SOGE UP HARNESS
2. 18E/BLU TO BUS "C" TERMINAL
3. 13P/BLK TO GROUND STUD
4. 11F/RED TO "B+" INSULATED STANDOFF

**Fig. 61 - Electrical Wire Harness Group (001000-001505)**

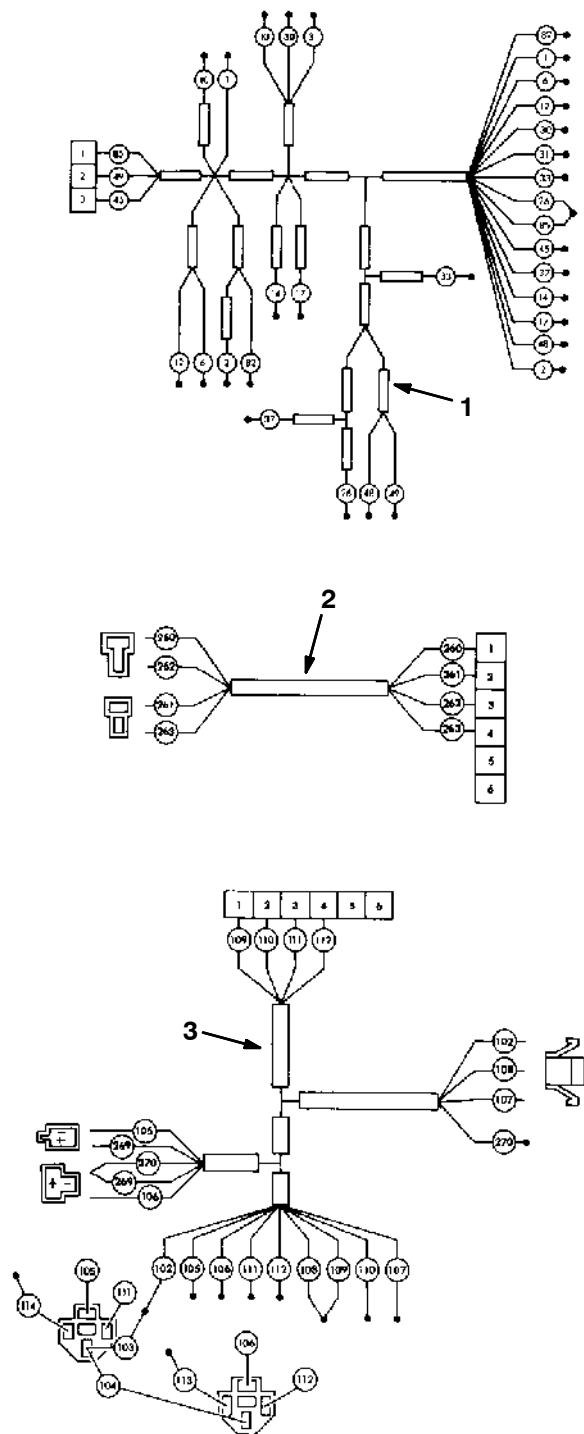


Fig. 61 - Electrical Wire Harnesses Group (001000-001505)

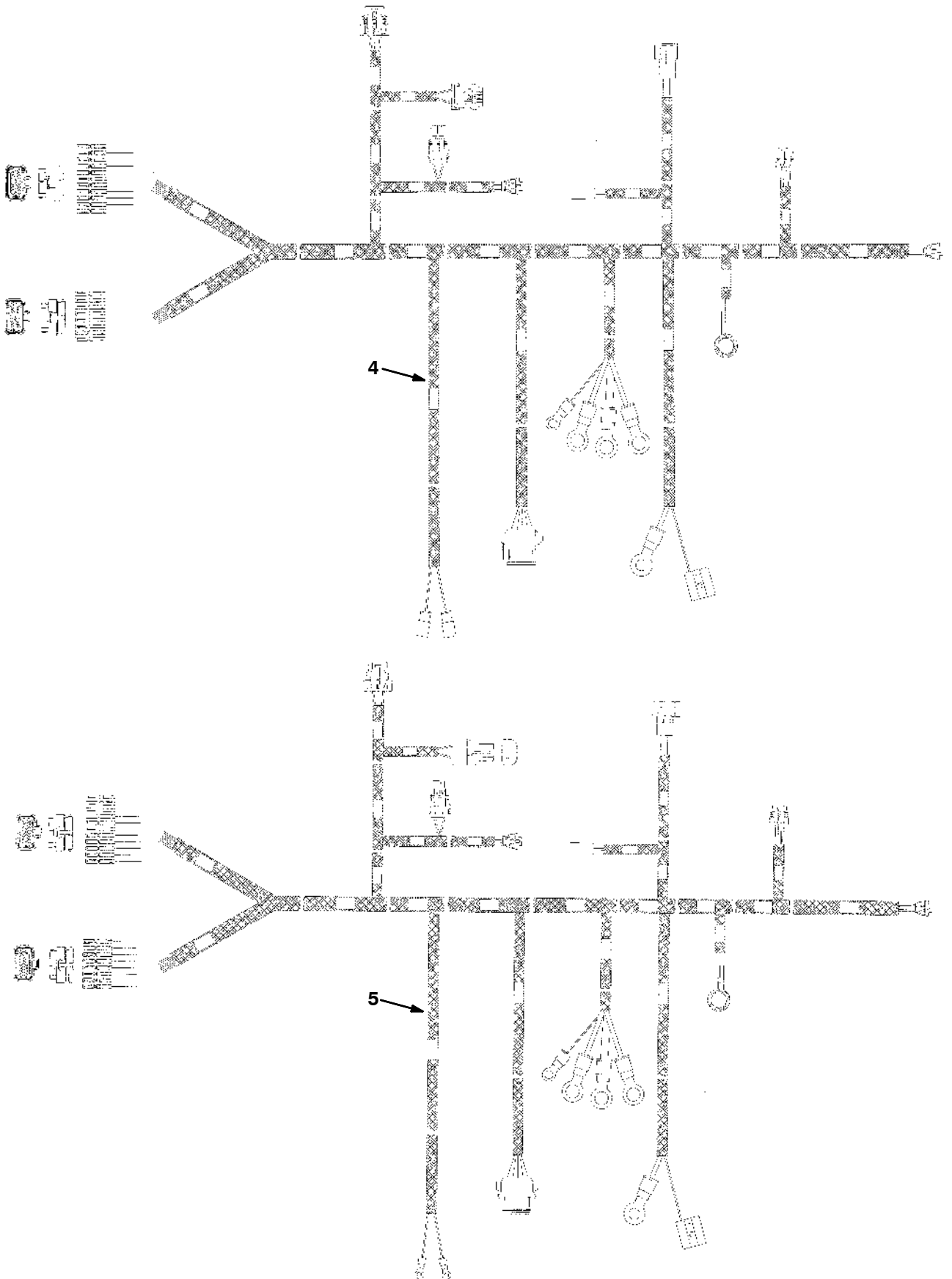


Fig. 61 - Electrical Wire Harness Group (001000-001505)

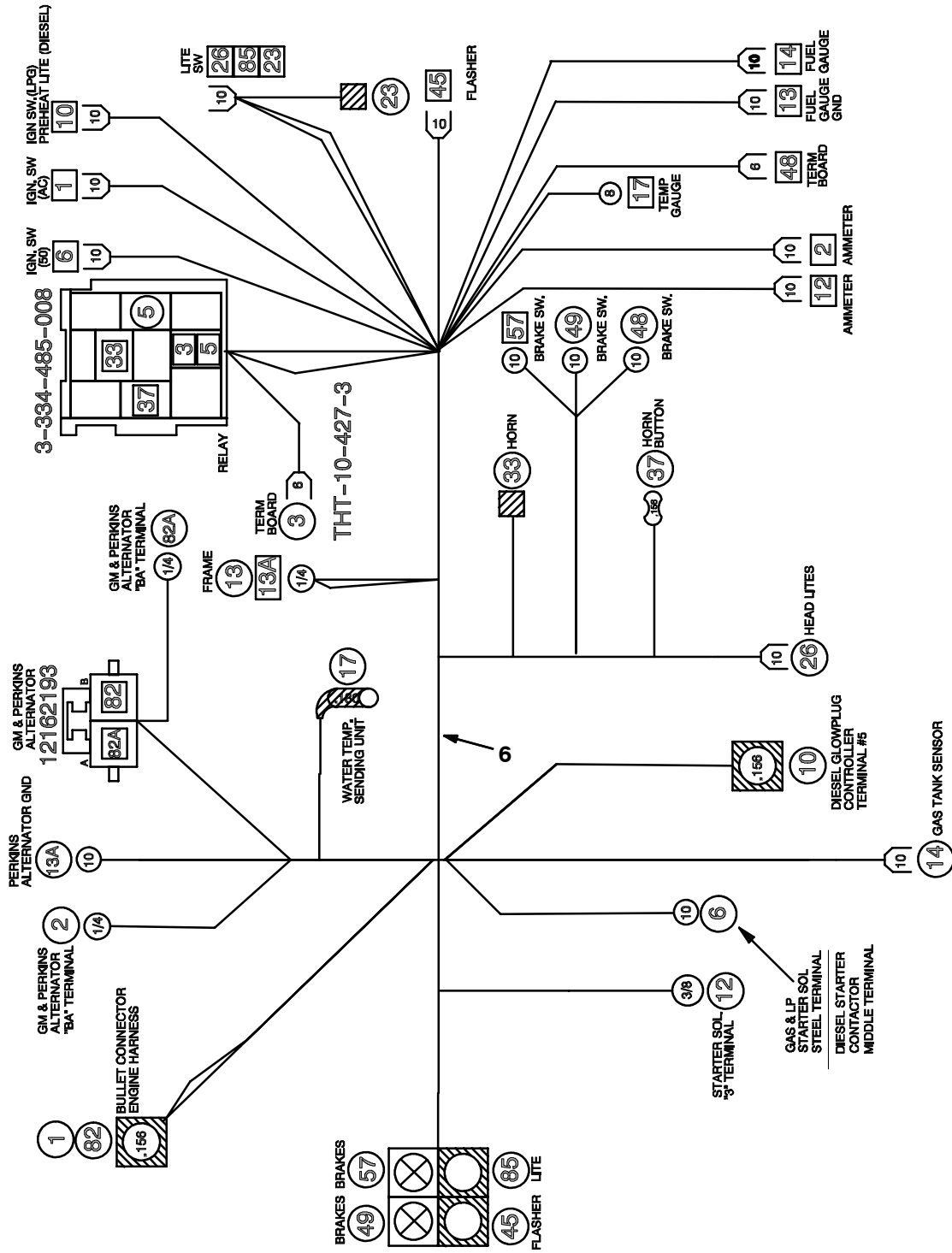


Fig. 61 - Electrical Wire Harnesses Group (001000-001505)

Ref.	Part No.	Serial Number	Description	Qty.
1	25181	(001000-001423 )	Wire Harness, Main, Gasoline and LPG	1
2	61653	(001000-001505 )	Wire Harness, Auto Squeegee	1
3	25182	(001000-001505 )	Wire Harness, Tractor, Auto Squeegee	1
3	61654	(001000-001505 )	Wire Harness, Control Box	1
4	393976	(001424-001505 )	Wire Harness, Engine, LPG	1
5	371548	(001424-001505 )	Wire Harness, Engine, Gas	1
6	392528	(001424-001505 )	Harness, Main, Perkins/Gm, [550/1550]	1

Fig. 62 - Electrical Wire Harnesses Group, Gas/LPG (001508- )

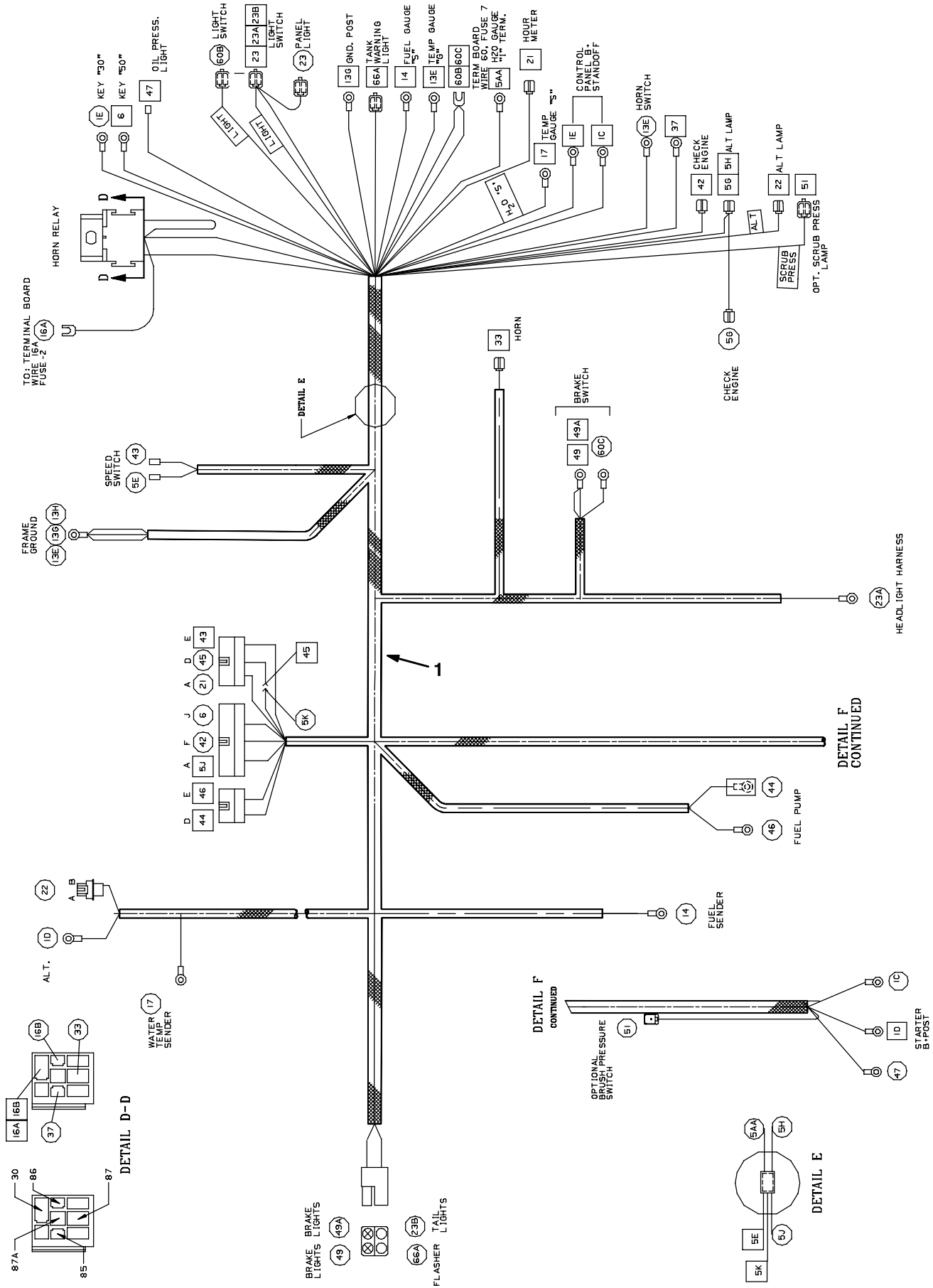




Fig. 62 - Electrical Wire Harnesses Group, Gas/LPG (001508- )

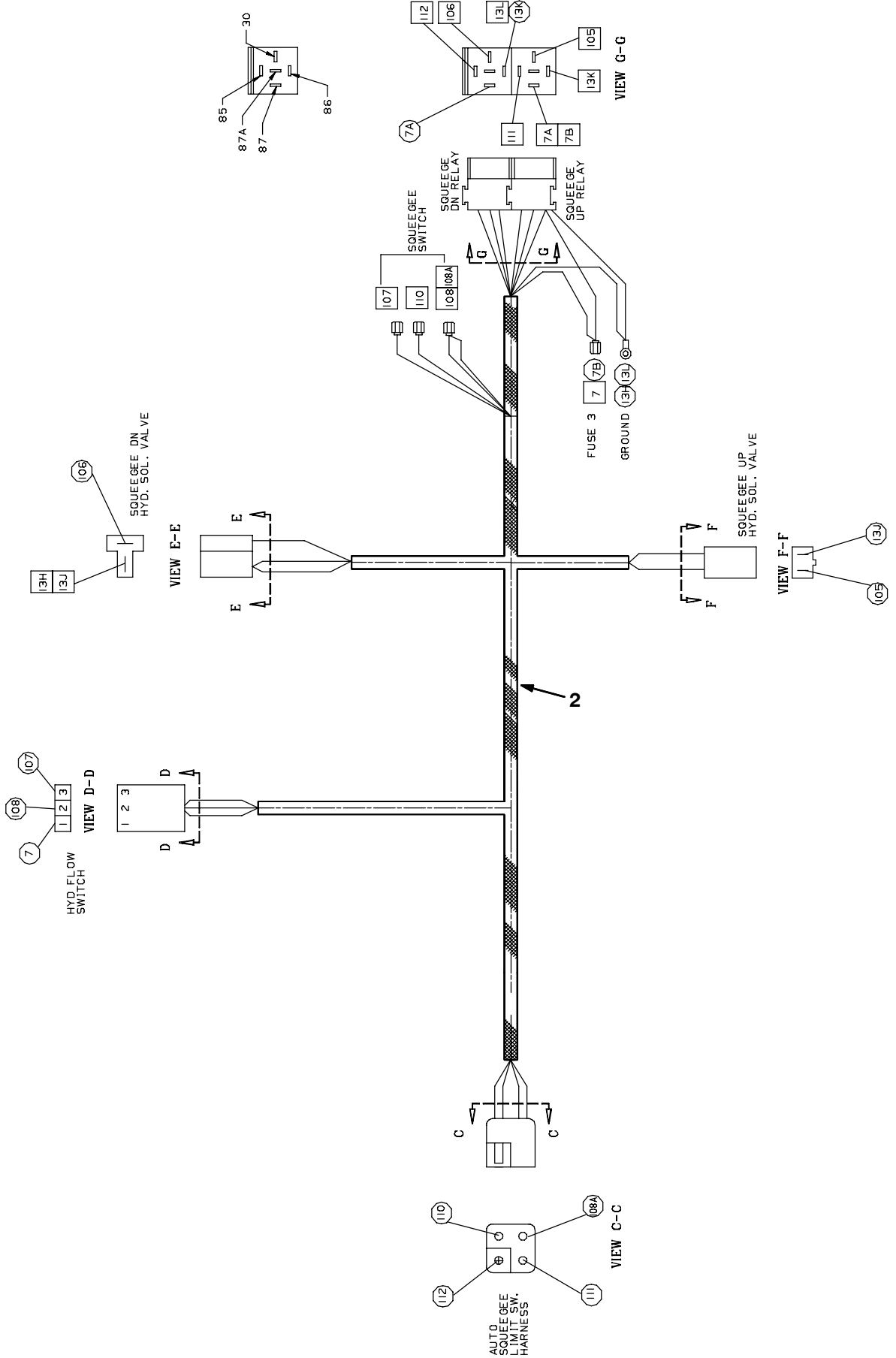


Fig. 62 - Electrical Wire Harness Group, Gas/LPG (001508- )

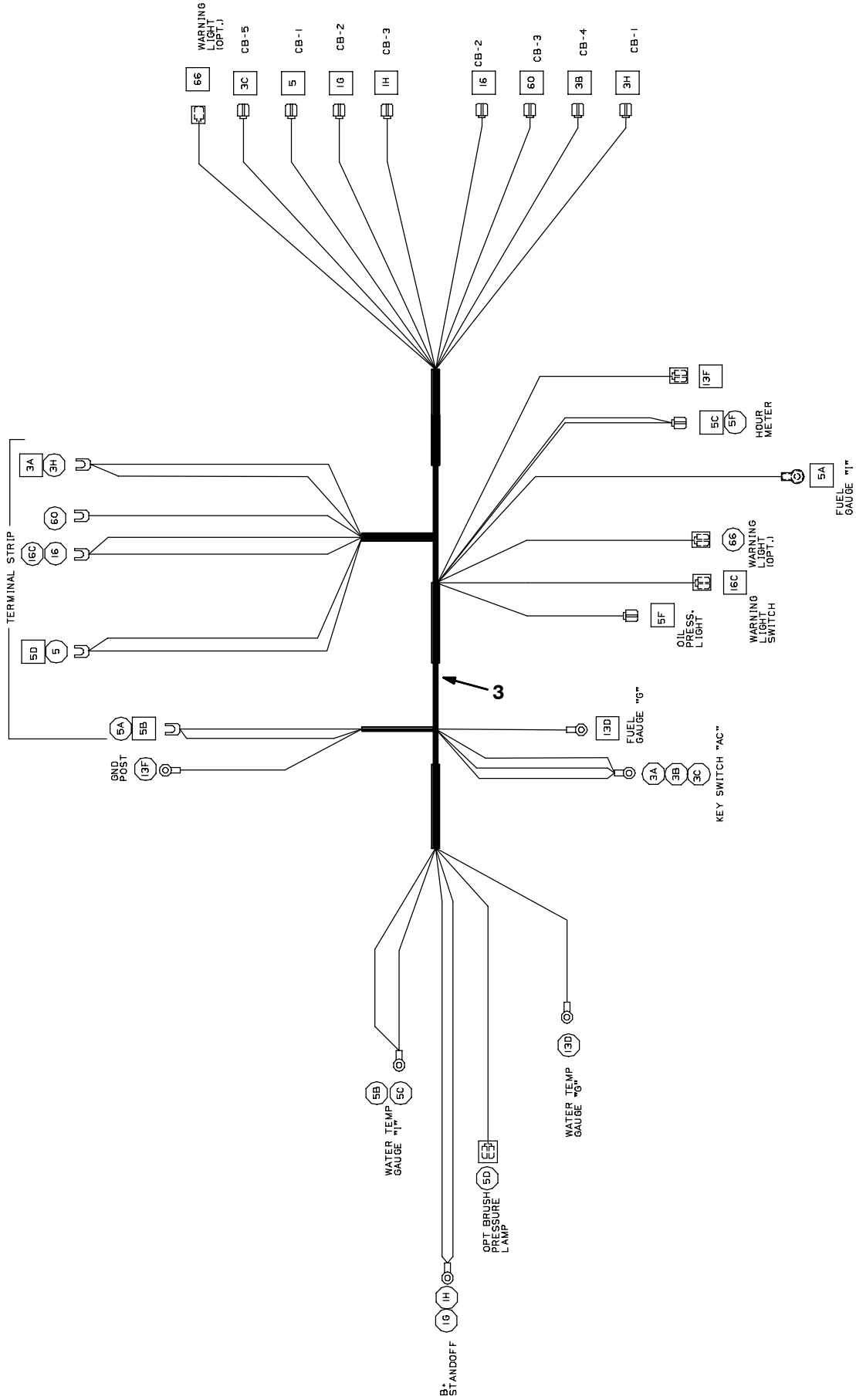




Fig. 62 - Electrical Wire Harnesses Group, Gas/LPG (001508- )

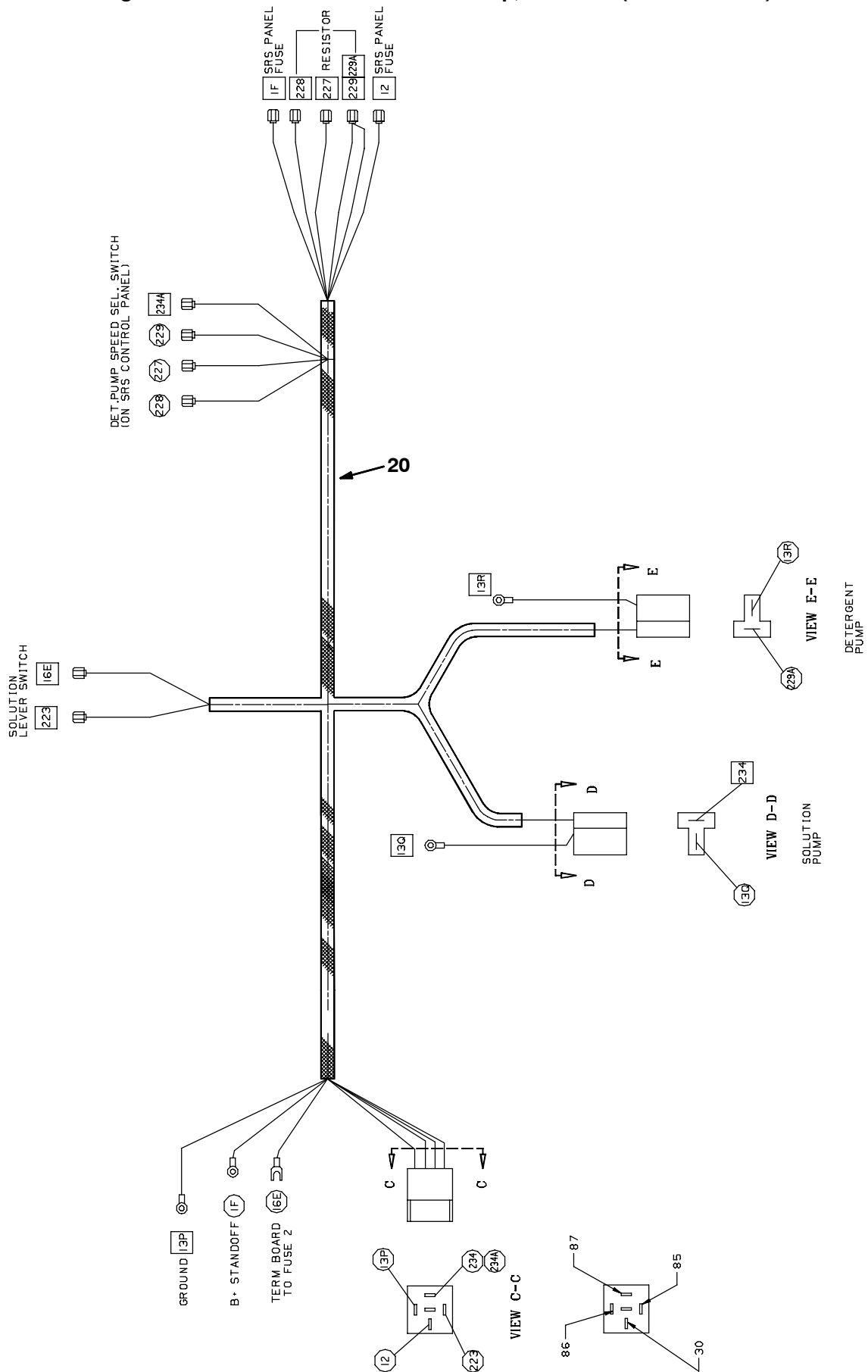
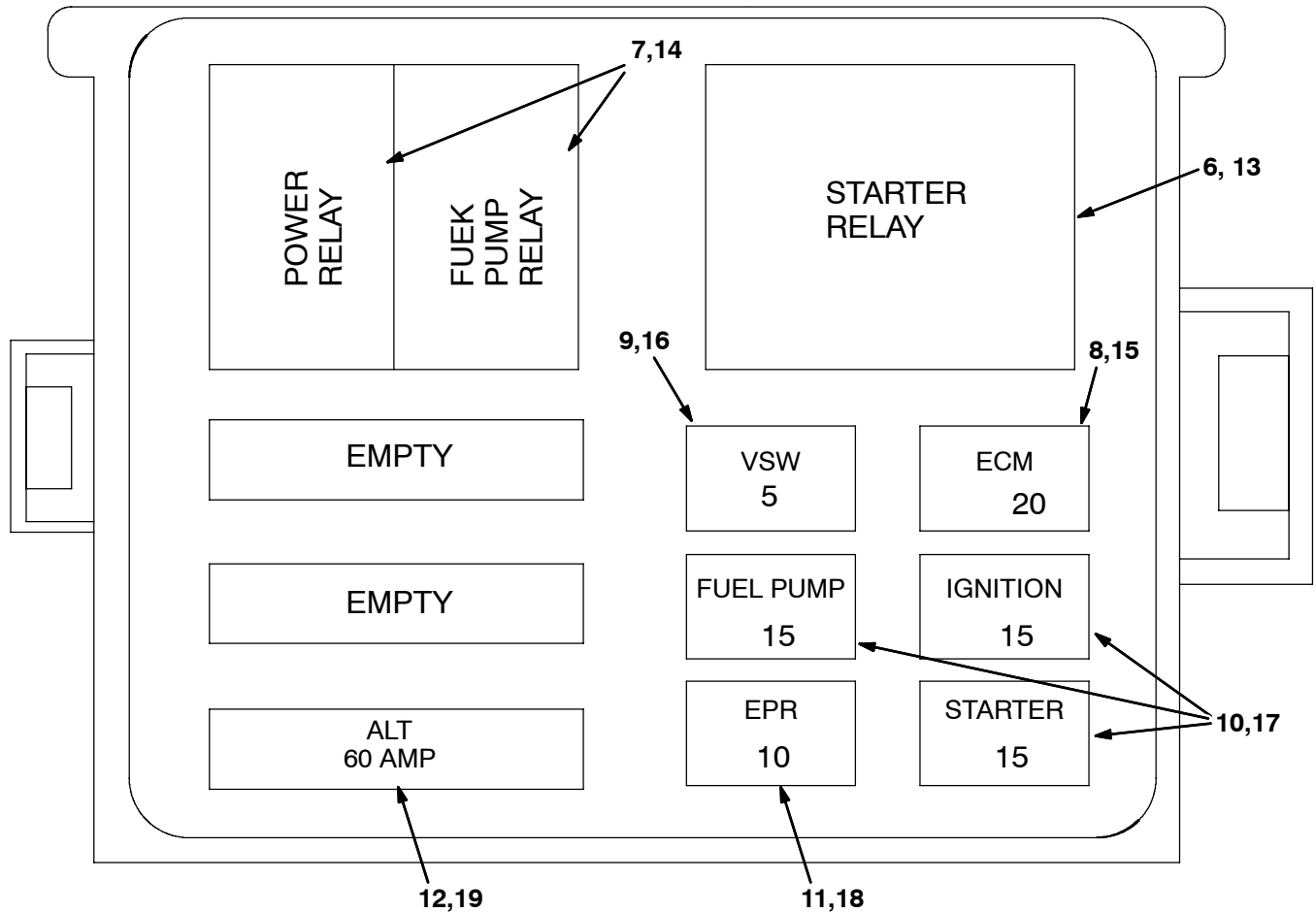


Fig. 62 - Electrical Wire Harnesses Group, Gas/LPG (001508- )



354310, 354309, 354290, 354289, 354288, 354287 - 1550, G, LP, Impco

Ref.	Part No.	Serial Number	Description	Qty.
1	391901	(001508- )	Harness, Main, Gas/Lpg [550/1550]	1
2	391907	(001508- )	Harness, Tractor [550/1550]	1
3	391902	(001508- )	Harness, Panl, Cntrl [550]	1
4	391909	(001508- )	Harness, Tank, Sqge [1550]	1
5	363992	(001508- )	Harness, Sqge, Vacuum	1
▽	385010	(001538- )	Harness, Eng, Gas [3.0l 2007]	1
▲	6	394916	(001538- ) Relay, 12vdc, 20a, Spdt	1
▲	7	57804	(001538- ) Relay, 12vdc, 40a, Spdt	2
▲	8	372237	(001538- ) Fuse, 20 Amp, [Min-20]	1
▲	9	372235	(001538- ) Fuse, 5 Amp, [Min-5]	1
▲	10	372236	(001538- ) Fuse, 15 Amp, [Min-15]	2
▲	11	384999	(001538- ) Fuse, 10 Amp	1
▲	12	384998	(001538- ) Fuse, 60 Amp	1
▽	385018	(001538- )	Harness, Eng, Lpg [3.0l 2007]	1
▲	13	394916	(001538- ) Relay, 12vdc, 20a, Spdt	1
▲	14	57804	(001538- ) Relay, 12vdc, 40a, Spdt	2
▲	15	372237	(001538- ) Fuse, 20 Amp, [Min-20]	1
▲	16	372235	(001538- ) Fuse, 5 Amp, [Min-5]	1
▲	17	372236	(001538- ) Fuse, 15 Amp, [Min-15]	2
▲	18	384999	(001538- ) Fuse, 10 Amp	1
▲	19	384998	(001538- ) Fuse, 60 Amp	1
▲	20	391908	(001508- ) Harness, Srs [1550]	1

**Fig. 63 - Instrument Panel Group, Gas/LPG (001000-001505)**

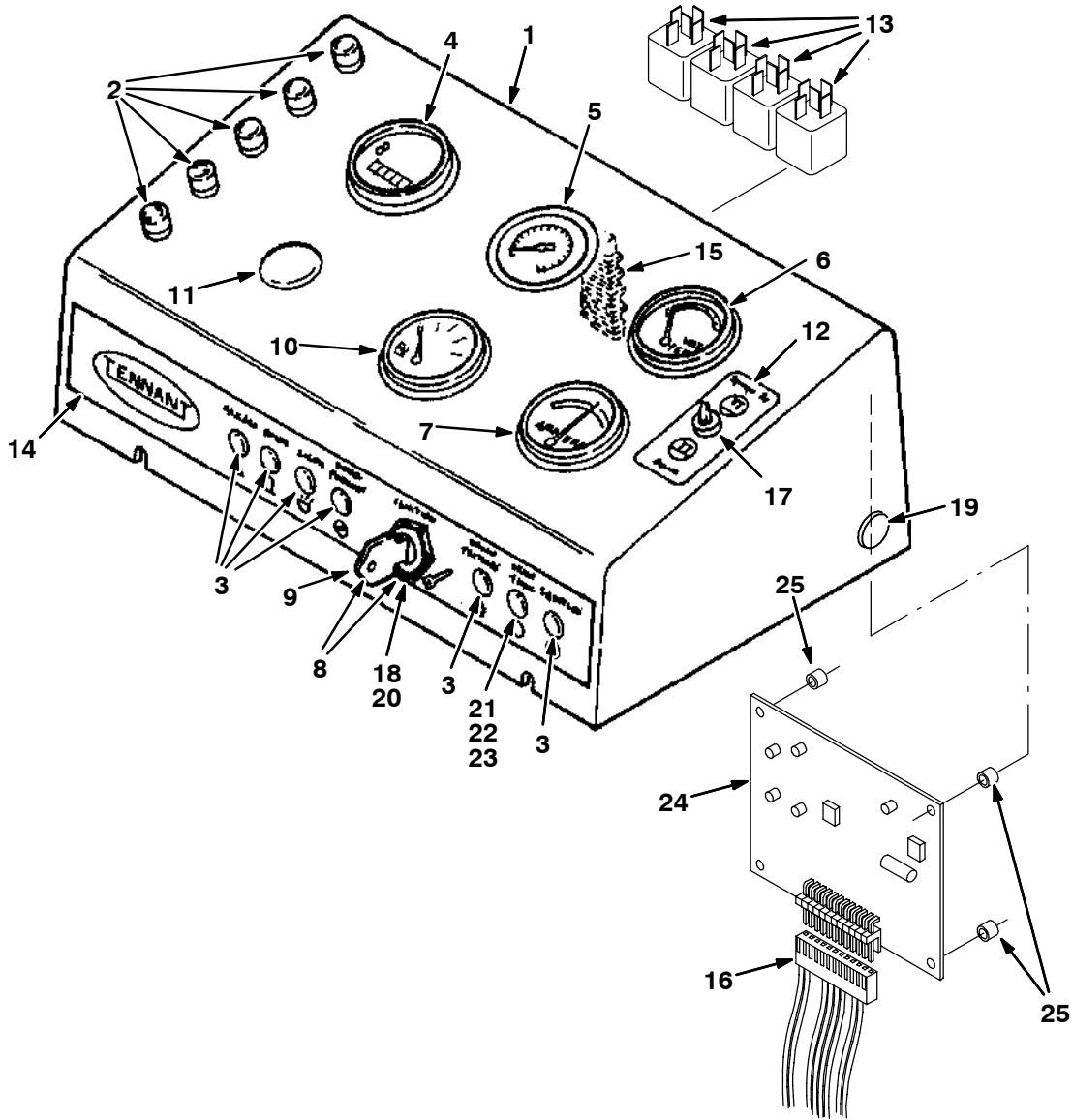


Fig. 63 - Instrument Panel Group, Gas/LPG (001000-001505)

Ref.	Part No.	Serial Number	Description	Qty.	
1	378997	(001000-001505 )	Console, Instrument	1	
2	07422	(001000-001505 )	Holder, Fuse	5	
	383723	(001000-001508 )	Circuitbreaker, 20.0a, Resettable	1	
	07423	(001000-001505 )	Fuse, 15 A	2	
	59984	(001000-001505 )	Fuse, 1 A	1	
3	56992	(001000-001505 )	Plug Button, 0.50 in (13 mm)	6	
4	34810	(001000-001505 )	Meter, Hour	1	
5	21693	(001000-001126 )	Replacement Kit, Oil Pressure Gauge	1	
5	21690	(001127-001505 )	Gauge, Oil Pressure	1	
6	50330	(001000-001505 )	Gauge, Water Temperature	1	
7	54180	(001000-001505 )	Ammeter	1	
▽	8	87536	(001000-001505 )	Switch, Ign [Ku]	1
▲	9	87866	(001000-001505 )	Key, Ignition Switch (Set of 2)	1
10	34813	(001000-001505 )	Gauge, Fuel Level	1	
11	47178-13	(001000-001505 )	Plug Button, 1.25 in (32 mm)	1	
12	76234	(001000-001505 )	Label, Switch, Squeegee Lift	1	
13	57804	(001000-001505 )	Relay, Horn	4	
14	16667	(001000-001505 )	Label, Instrument Console	1	
15	26523	(001000-001505 )	Board, Terminal	1	
16	61651	(001000-001505 )	Wire Harness, Level Warning	2	
17	76306	(001000-001505 )	Switch, On-Off, Squeegee Lift	1	
	76536	(001000-001505 )	Wire Kit, Instrument Panel	1	
	47178-12	(001000-001505 )	Plugbutton, 2.0 in (50 mm)	1	
18	382516	(001000-001505 )	Boot, Switch	1	
19	02431	(001000-001505 )	Plug Button	2	
20	73736	(001000-001505 )	Washer, 1.15B 1.75D .08Stl	1	
21	374119	(001000-001505 )	Lamp Assy, Indicator, Red, 14Vdc	1	
22	45333	(001000-001505 )	Terminal	1	
23	45224	(001000-001505 )	Terminal, Quick Disconnect	1	
24	64795C-1	(001000-001505 )	Board, P.C.	1	
25	64921	(001000-001505 )	Spacer	4	

# STANDARD PARTS

Fig. 64 - Instrument Panel Group, Gas (001508- )

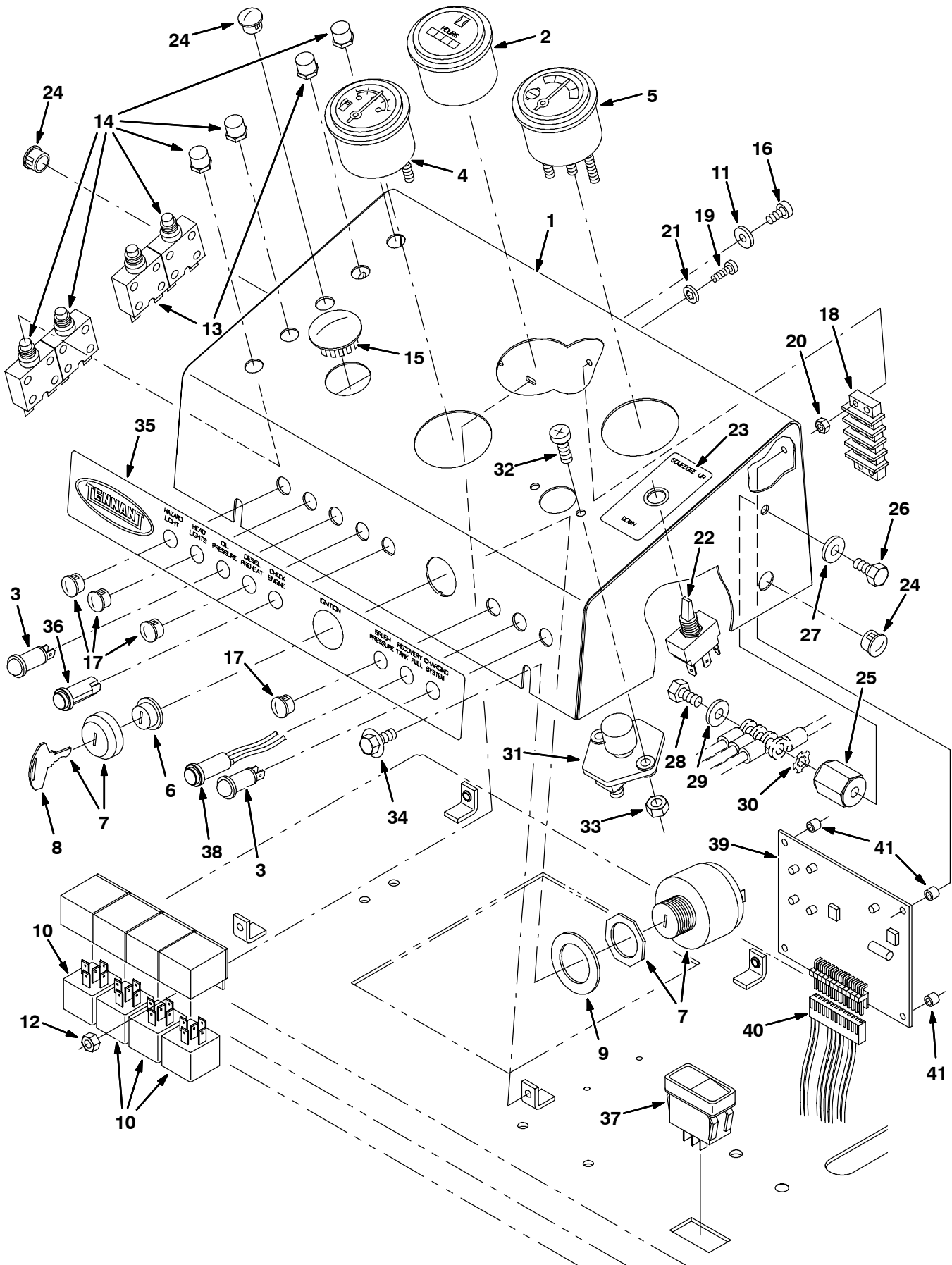
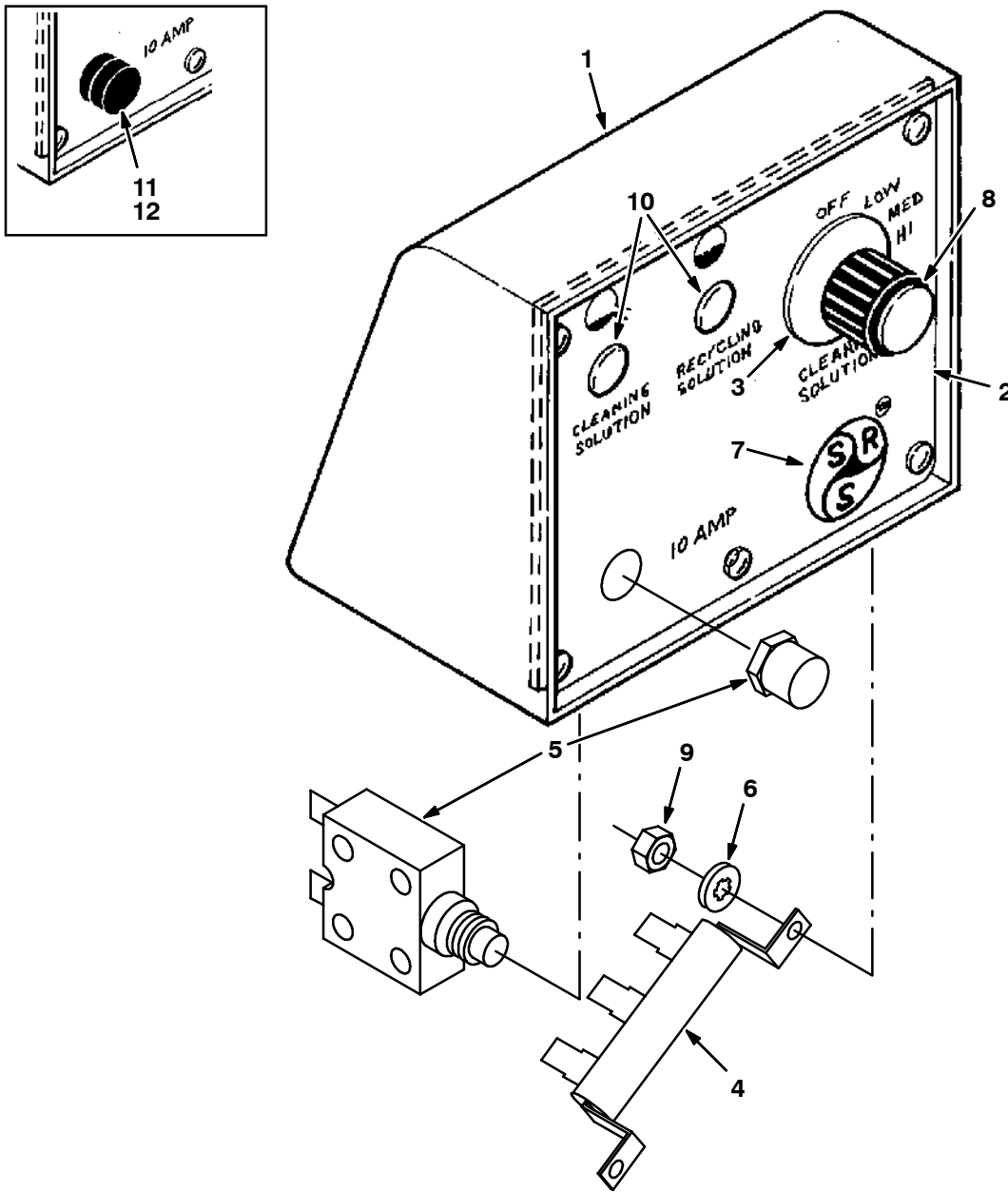




Fig. 64 - Instrument Panel Group, Gas (001508- )

Ref.	Part No.	Serial Number	Description	Qty.	
1	1015379	(001508-	) Panel Wldt, Console, Instmt [550]	1	
2	34810	(001508-	) Hourmeter, 12-24vdc, Analog, Rnd	1	
3	34820	(001508-	) Light, Panl, 14vdc, Red, 0.6d	2	
4	34813	(001508-	) Gauge, Fuel, 0-90ohm 8-18vdc	1	
5	50330	(001508-	) Gauge, Temp, 100-260 2.3d 12vdc	1	
6	382516	(001508-	) Boot, Switch	1	
▽	7	87536	(001508-	) Switch, Ign [Ku]	1
▲	8	87866	(001508-	) Key, Ignition, [Set Of 2]	1
9	73736	(001508-	) Washer, 1.15b 1.75d .08, Stl	1	
10	57804	(001508-	) Relay, 12vdc, 40a, Spdt, [Potter]	4	
11	19065	(001508-	) Washer, Flat, #08	4	
12	45181	(001508-	) Nut, Hex, Lock, #10-24, NI	4	
13	383723	(001508-	) Circuitbreaker, 20.0a, Resetable	1	
14	383722	(001508-	) Circuitbreaker, 15.0a	3	
15	47178-13	(001508-	) Button, Plug, 1.25h .06-.09 [Chrome Stl]	1	
16	39648	(001508-	) Screw, Pan, #10-24 X 0.38, 1	4	
17	56992	(001508-	) Button, Plug, 0.50h .03-.12 [Black Nyl]	4	
18	26523	(001508-	) Block, Terminal, 4 Connector	1	
19	32517	(001508-	) Screw, Pan, #08-32 X 0.62, 1	1	
20	19310	(001508-	) Nut, Hex, Std, #08-32	1	
21	32978	(001508-	) Washer, Lock, Int, #08	1	
22	76306	(001508-	) Switch, Toggle, 250vac 10a On/On	1	
23	76234	(001508-	) Label, Control, Sqge	1	
24	02431	(001508-	) Button, Plug, 0.56h .03-.12 [Black Nyl]	3	
25	76062	(001508-	) Insulator, Panel & Switchboard	1	
26	19316	(001508-	) Screw, Hex, .25-20 X 0.62, 5	1	
27	41185	(001508-	) Washer, Belleville, .25	1	
28	19315	(001508-	) Screw, Hex, .25-20 X 0.50, 5	1	
29	32490	(001508-	) Washer, Flat, 0.25 Std	1	
30	41141	(001508-	) Washer, Lock, Int-Ext, .31	1	
31	44078	(001508-	) Switch, Push, 12vdc 80a Spst No	1	
32	39712	(001508-	) Screw, Pan, .25-20 X 0.75, 2	2	
33	75934	(001508-	) Nut, Hex, Lock, .25-20, NI	2	
34	16949	(001508-	) Screw, Hex, .25-20 X 0.75, Sems	4	
35	1015389	(001508-	) Label, Console, Instmt	1	
36	1012185	(001508-	) Light, Warning, Check Engine, Amb, 14 Vdc	1	
37	371580	(001508-	) Switch, Speed, Eng	1	
38	374119	(001508-	) Light, Indicator, 14vdc Red	1	
	45333	(001508-	) Terminal, Spade, #10stud, 14/16awg	1	
	45224	(001508-	) Terminal, Qdc, [.25f, Insf,14]	1	
39	64795C-1	(001508-	) P.c.board, Level Sensing-compl	1	
40	391905	(001508-	) Harness, Sensing, Level, Srs [1550]	1	
41	64921	(001508-	) Spacer	4	

Fig. 65 - SRS Control Panel Assembly



00351, 354285 - 550, 1550

Ref.	Part No.	Serial Number	Description	Qty.
▽	79318	(001000-	) Control Panel Assembly	1
▲	1 79314	(001000-	) Console, Instrument	1
▲	2 32798	(001000-	) Panel, Front	1
▲	3 63837	(001000-	) Switch, Cleaning Solution Metering	1
▲	4 16440	(001000-	) Resistor	1
▲	5 383722	(001508-	) Circuitbreaker, 15.0a	1
▲	6 02938	(001000-	) Washer, Lock, Int, 08, Ss	2
▲	7 79410	(001000-	) Decal, Control Panel	1
▲	8 63814	(001000-	) Knob	1
▲	9 19310	(001000-	) Nut, Hex, Std, #08-32	2
	10 374119	(001000-	) Light, Indicator, 14vdc Red	2
	11 07422	(001000-001505	) Holder, Fuse	1
	12 45595	(001000-001505	) Fuse, 10 A	1

Fig. 66 - Hydraulic Schematic (001000-001103)

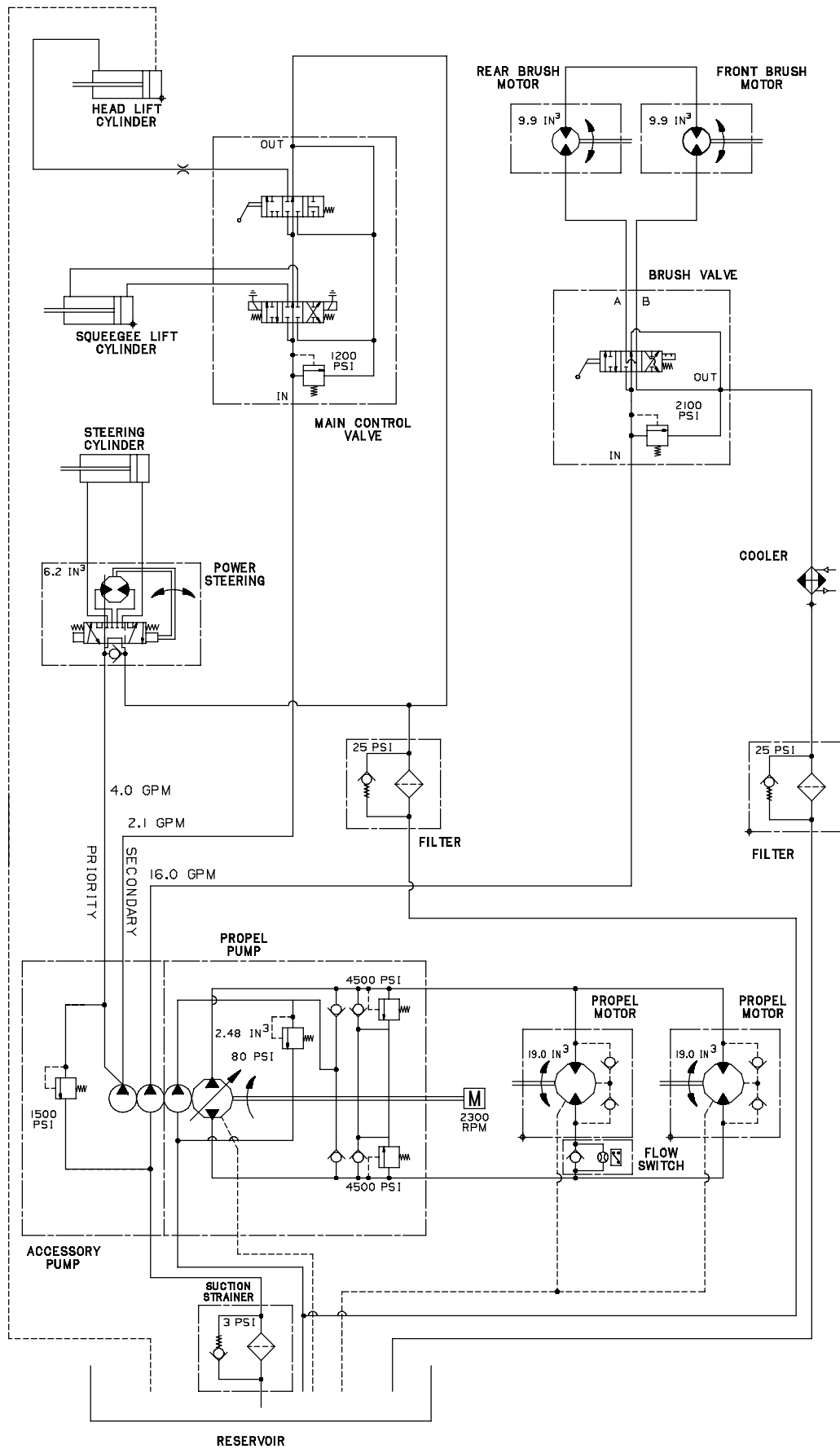
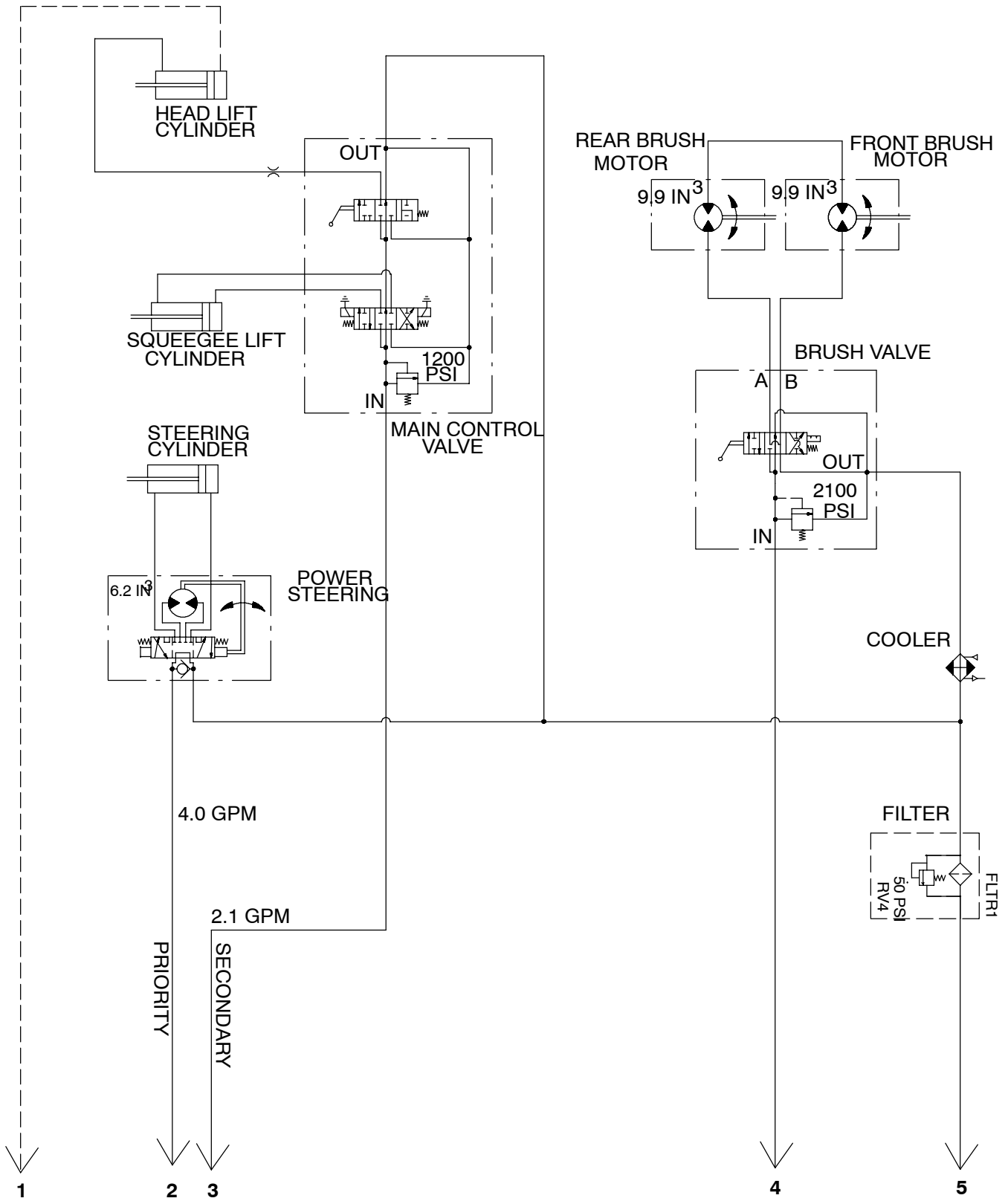
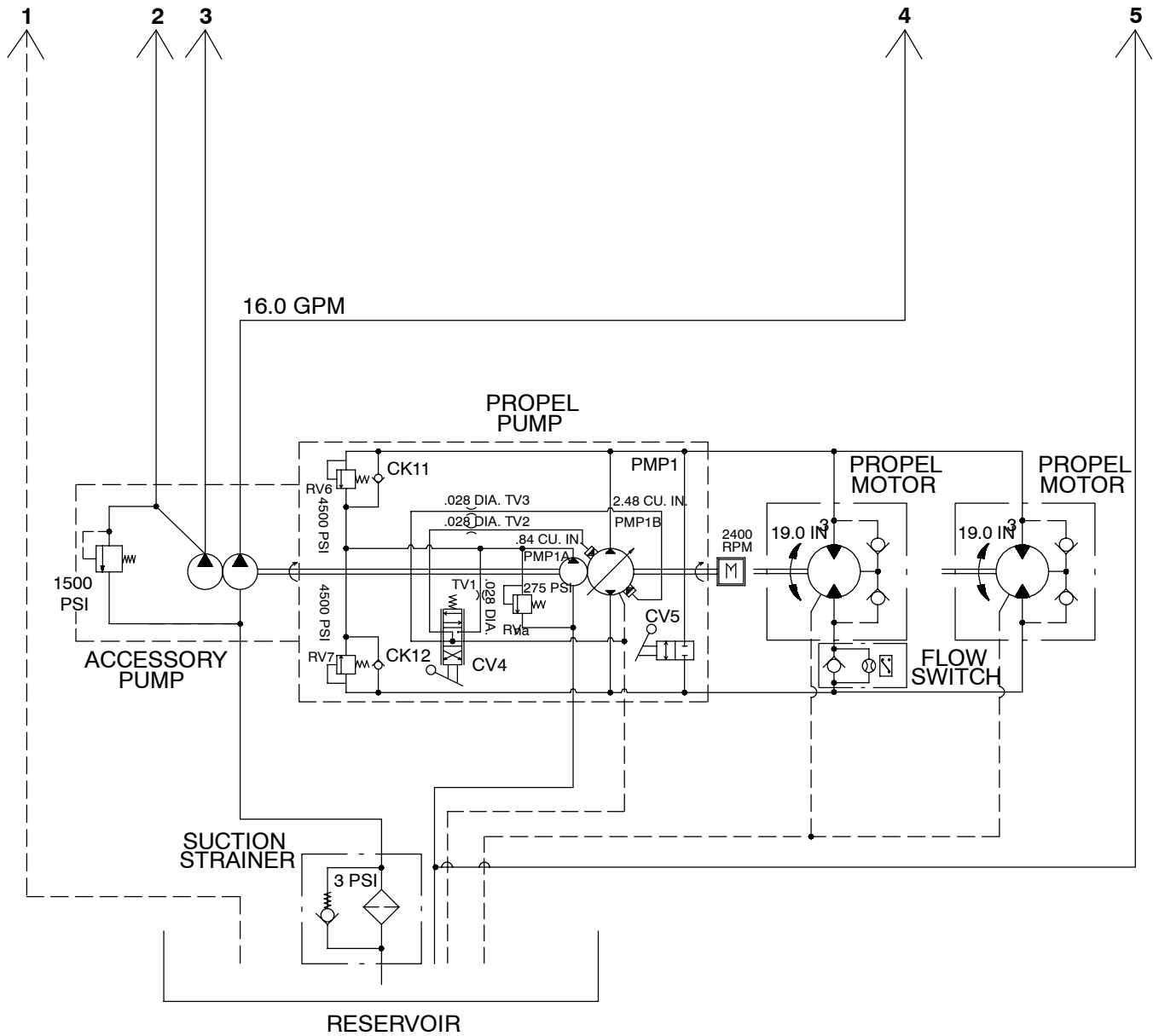


Fig. 67 - Hydraulic Schematic (001104-001505)



11122 - 550, 1550

Fig. 67 - Hydraulic Schematic (001104-001505)



11122 - 550, 1550

Fig. 68 - Hydraulic Schematic, Gas/LPG (001508- )

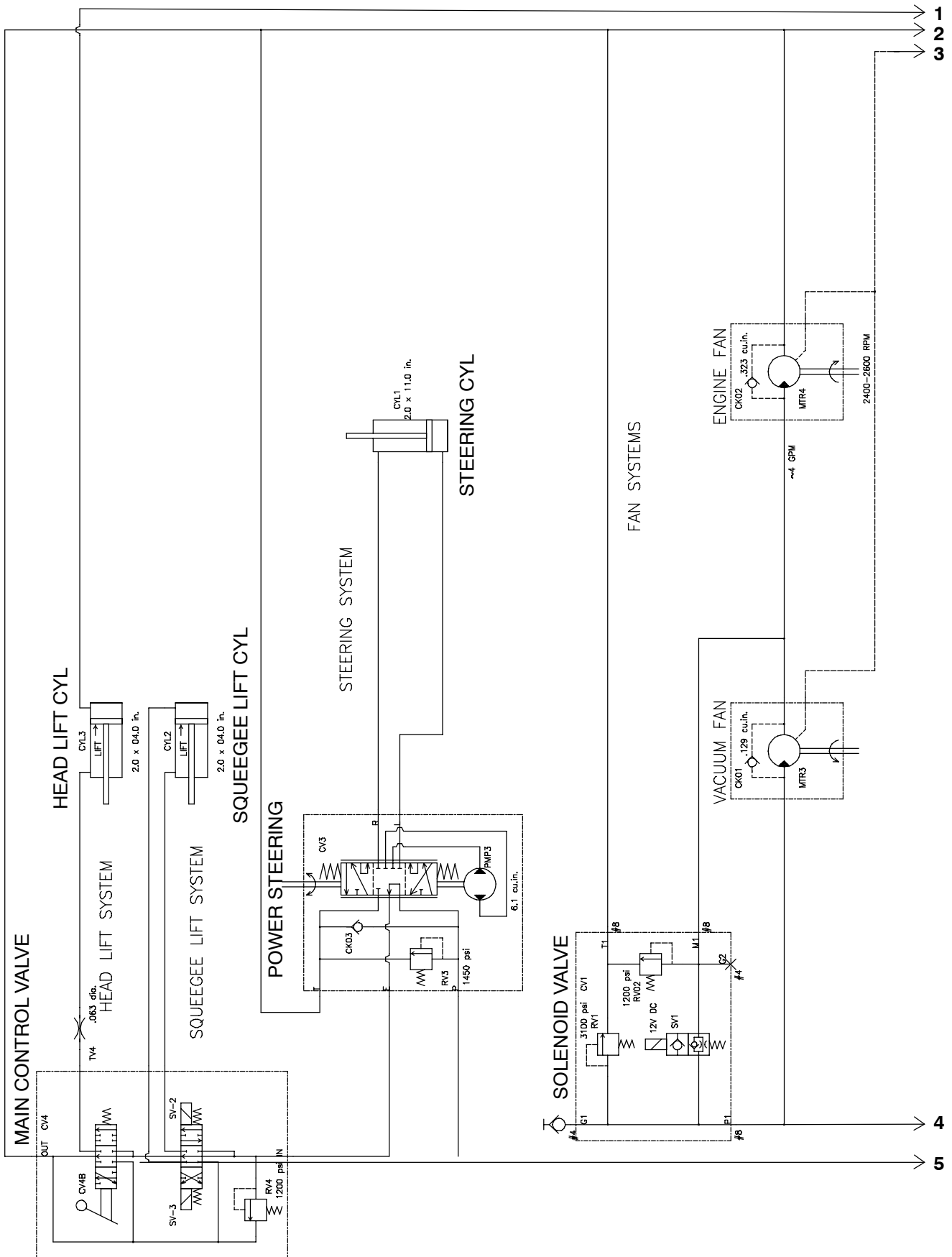


Fig. 68 - Hydraulic Schematic, Gas/LPG (001508- )

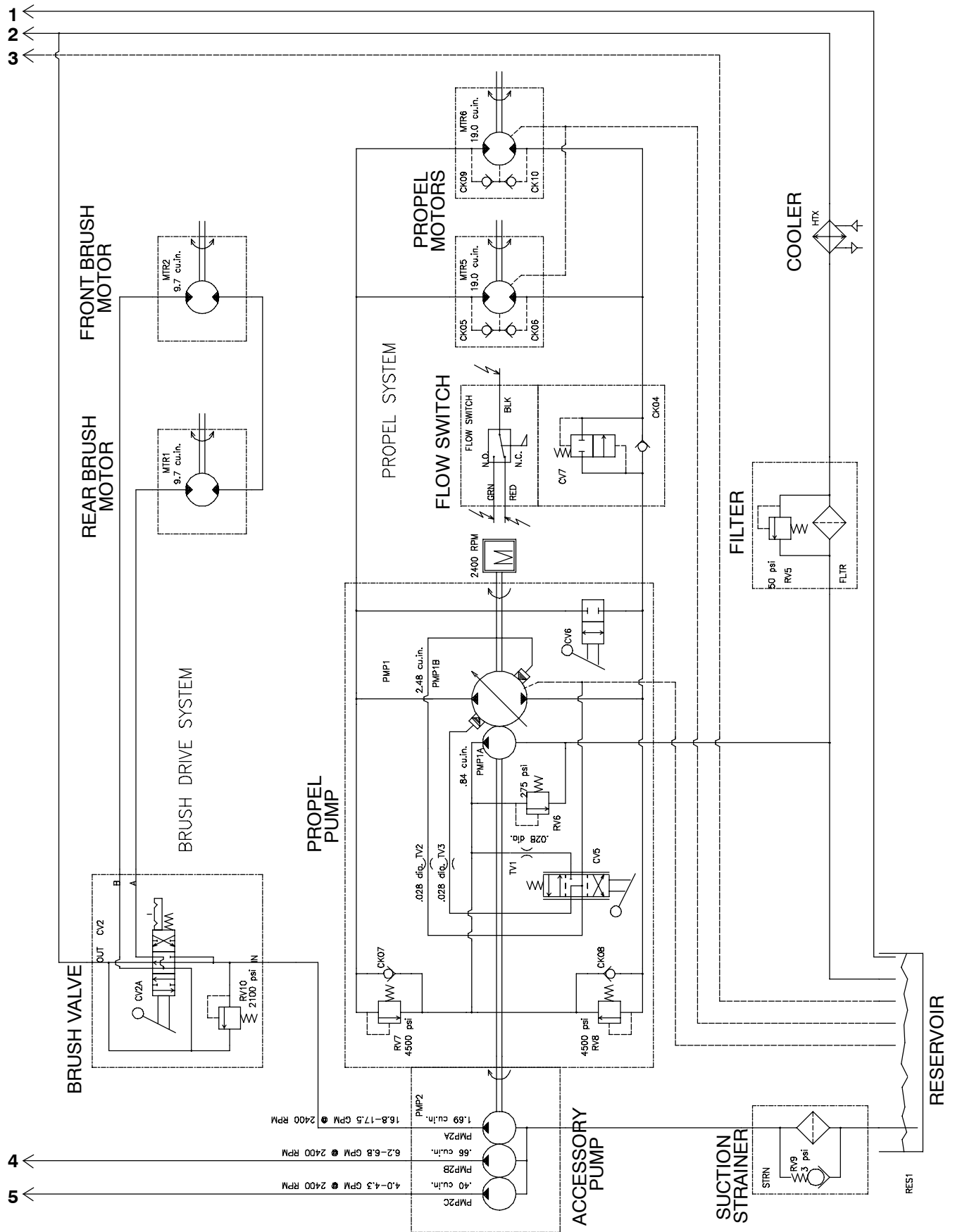


Fig. 69 - Hydraulic Hoses Group (001000-001103)

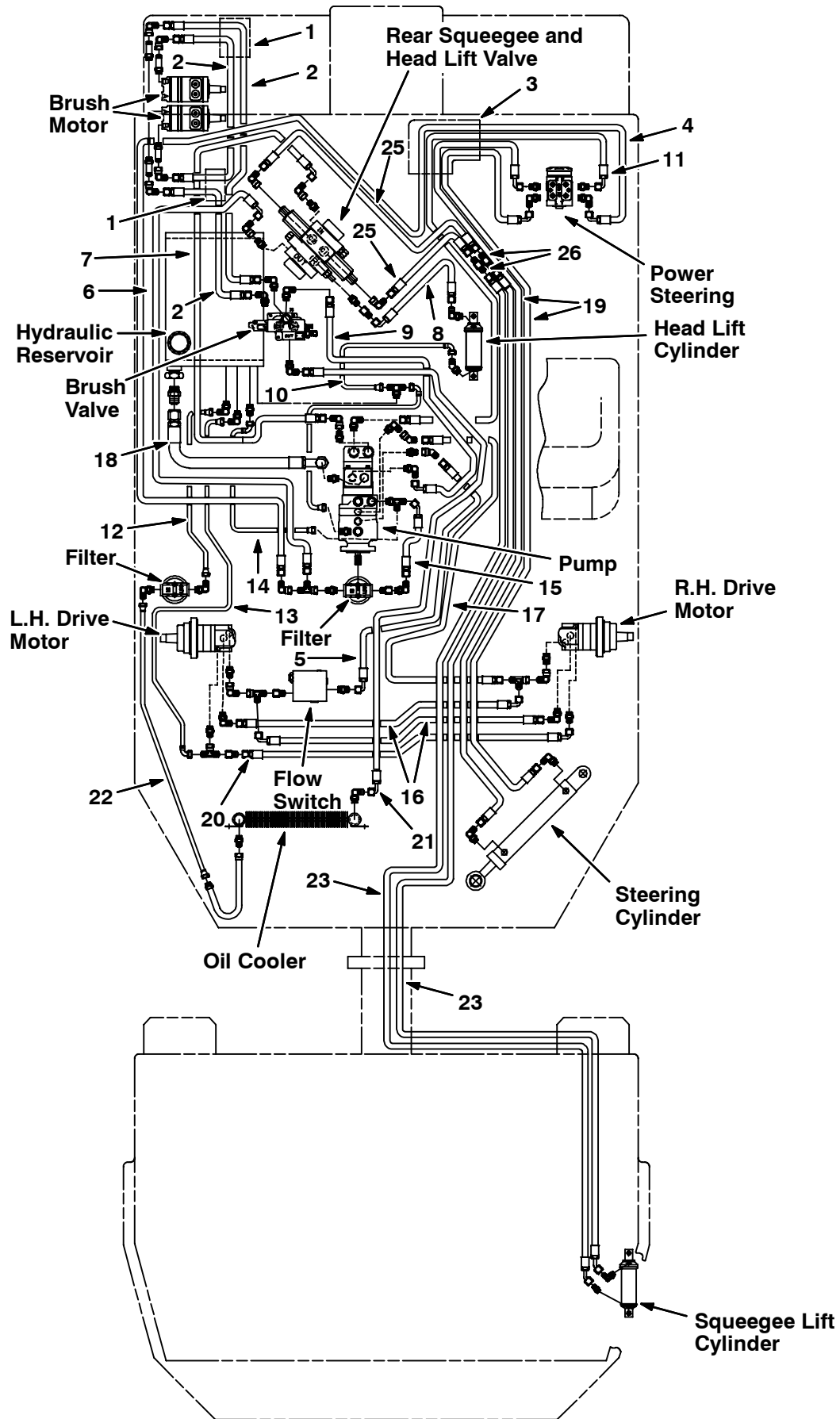




Fig. 69 - Hydraulic Hoses Group (001000-001103)

Ref.	Part No.	Serial Number	Description	Qty.
1	82832	(001000-001103 )	Sleeve, Hose	2
2	31606	(001000-001103 )	Hose, Hydraulic	3
3	31672	(001000-001103 )	Sleeve, Hose	1
4	02469	(001000-001103 )	Hose, Hydraulic	1
5	02468	(001000-001103 )	Hose, Hydraulic	1
6	31597	(001000-001103 )	Hose, Hydraulic	1
7	31598	(001000-001103 )	Hose, Hydraulic	1
8	57964	(001000-001103 )	Hose, Hydraulic	1
9	31612	(001000-001103 )	Hose, Hydraulic	1
10	31600	(001000-001103 )	Hose, Hydraulic	1
11	31597	(001000-001103 )	Hose, Hydraulic	1
12	82835	(001000-001103 )	Hose, Hydraulic	1
13	31603	(001000-001103 )	Hose, Hydraulic	1
14	55705	(001000-001103 )	Hose, Hydraulic	1
15	34422	(001000-001103 )	Hose, Hydraulic	1
16	31608	(001000-001103 )	Hose, Hydraulic	2
17	34387	(001000-001103 )	Hose, Hydraulic	1
18	34351	(001000-001103 )	Hose, Hydraulic	1
19	31565	(001000-001103 )	Hose, Hydraulic	2
20	31602	(001000-001103 )	Hose, Hydraulic	1
21	31610	(001000-001103 )	Hose, Hydraulic	1
22	31611	(001000-001103 )	Hose, Hydraulic	1
23	31570	(001000-001103 )	Hose, Hydraulic	2
24	34420	(001000-001103 )	Hose, Hydraulic	1
25	34380	(001000-001103 )	Hose, Hydraulic	2
26	27774	(001000-001103 )	Fitting, Straight	2

**Fig. 70 - Hydraulic Hoses Group (001104-001505)**

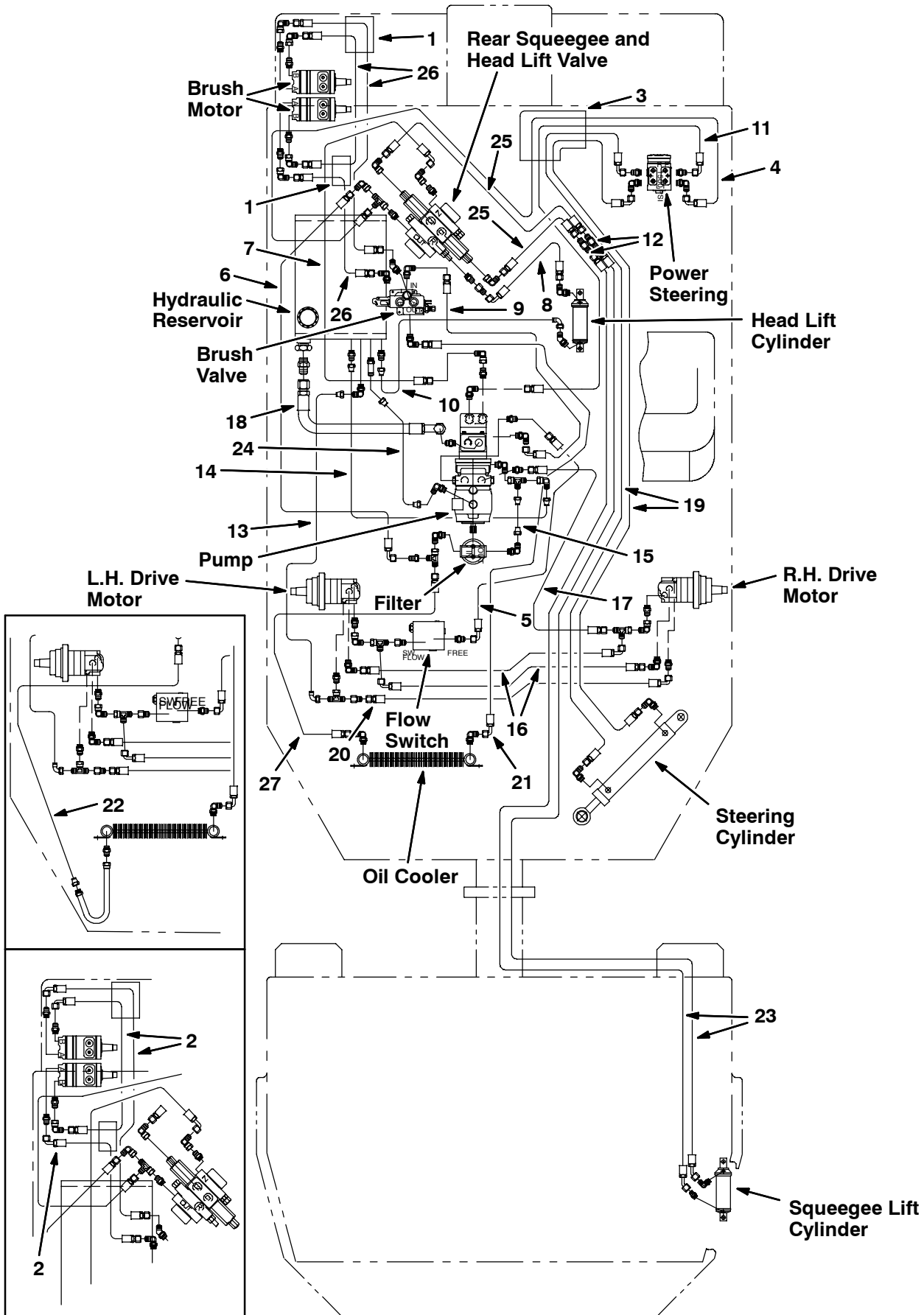


Fig. 70 - Hydraulic Hoses Group (001104-001505)

Ref.	Part No.	Serial Number	Description	Qty.
1	82832	(001104-001505 )	Sleeve, Hose	2
2	79079	(001104-001351 )	Hose, Hydraulic	3
3	31672	(001104-001505 )	Sleeve, Hose	1
4	02683	(001104-001505 )	Hose, Hydraulic	1
5	79106	(001104-001505 )	Hose, Hydraulic	1
6	59560	(001104-001505 )	Hose, Hydraulic	1
7	31598	(001104-001505 )	Hose, Hydraulic	1
8	57964	(001104-001505 )	Hose, Hydraulic	1
9	79104	(001104-001505 )	Hose, Hydraulic	1
10	31600	(001104-001505 )	Hose, Hydraulic	1
11	31597	(001104-001505 )	Hose, Hydraulic	1
12	27774	(001104-001505 )	Fitting, Straight	2
13	31603	(001104-001505 )	Hose, Hydraulic	1
14	55775	(001104-001505 )	Hose, Hydraulic	1
15	82835	(001104-001505 )	Hose, Hydraulic	1
16	79105	(001104-001505 )	Hose, Hydraulic	2
17	79107	(001104-001505 )	Hose, Hydraulic	1
18	34351	(001104-001505 )	Hose, Hydraulic	1
19	31565	(001104-001505 )	Hose, Hydraulic	2
20	31602	(001104-001505 )	Hose, Hydraulic	1
21	31610	(001104-001505 )	Hose, Hydraulic	1
22	31611	(001104-001423 )	Hose, Hydraulic	1
23	31570	(001104-001505 )	Hose, Hydraulic	2
24	57568	(001104-001109 )	Hose, Hydraulic	1
24	13113	(001110-001505 )	Hose, Hydraulic	1
25	34380	(001104-001505 )	Hose, Hydraulic	2
26	375761	(001352-001505 )	Hose, Hydraulic	3
27	42208	(001424-001505 )	Hose, Hydraulic	1

**Fig. 71 - Hydraulic Hoses Group, Gas/LPG (001508- )**

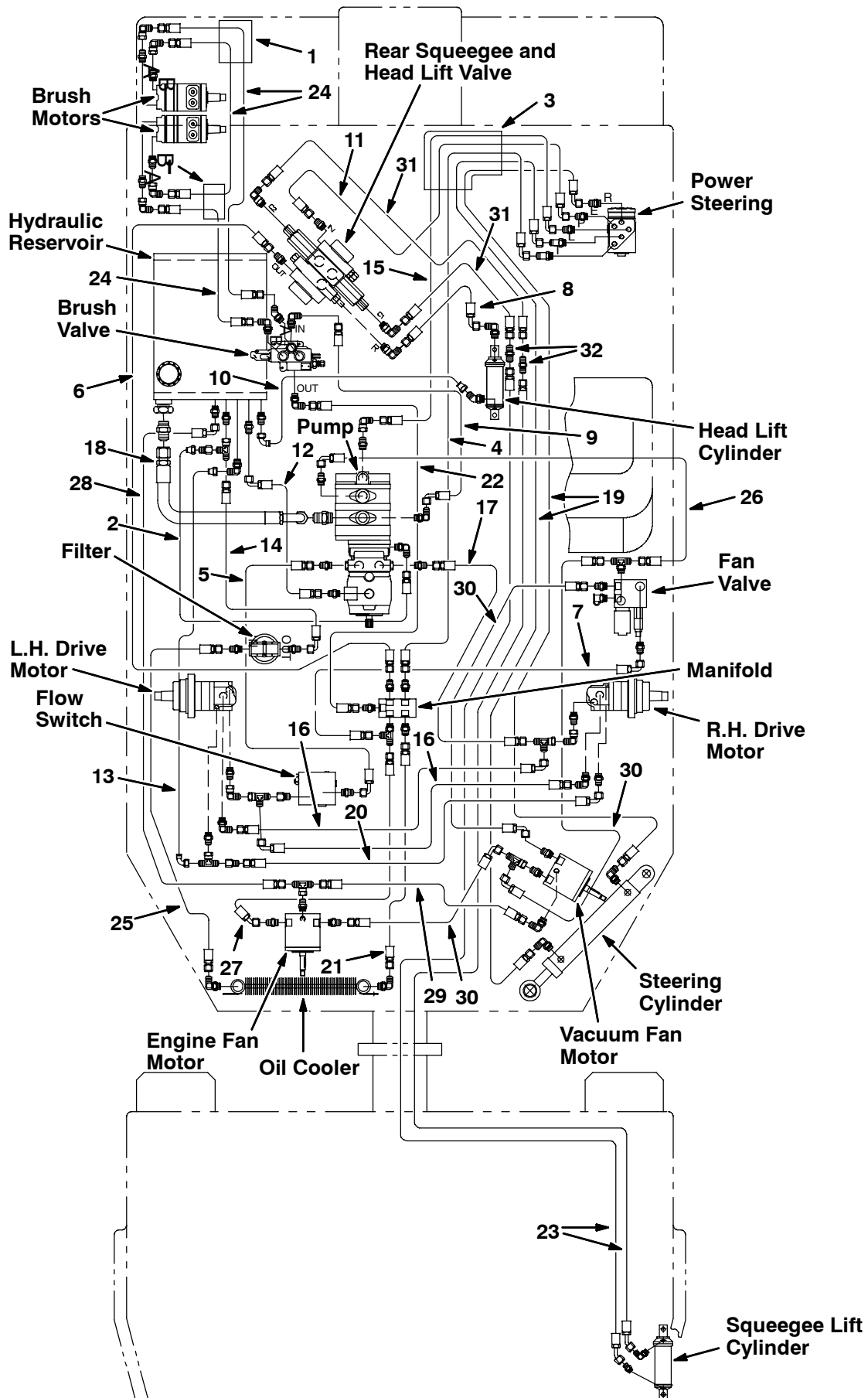
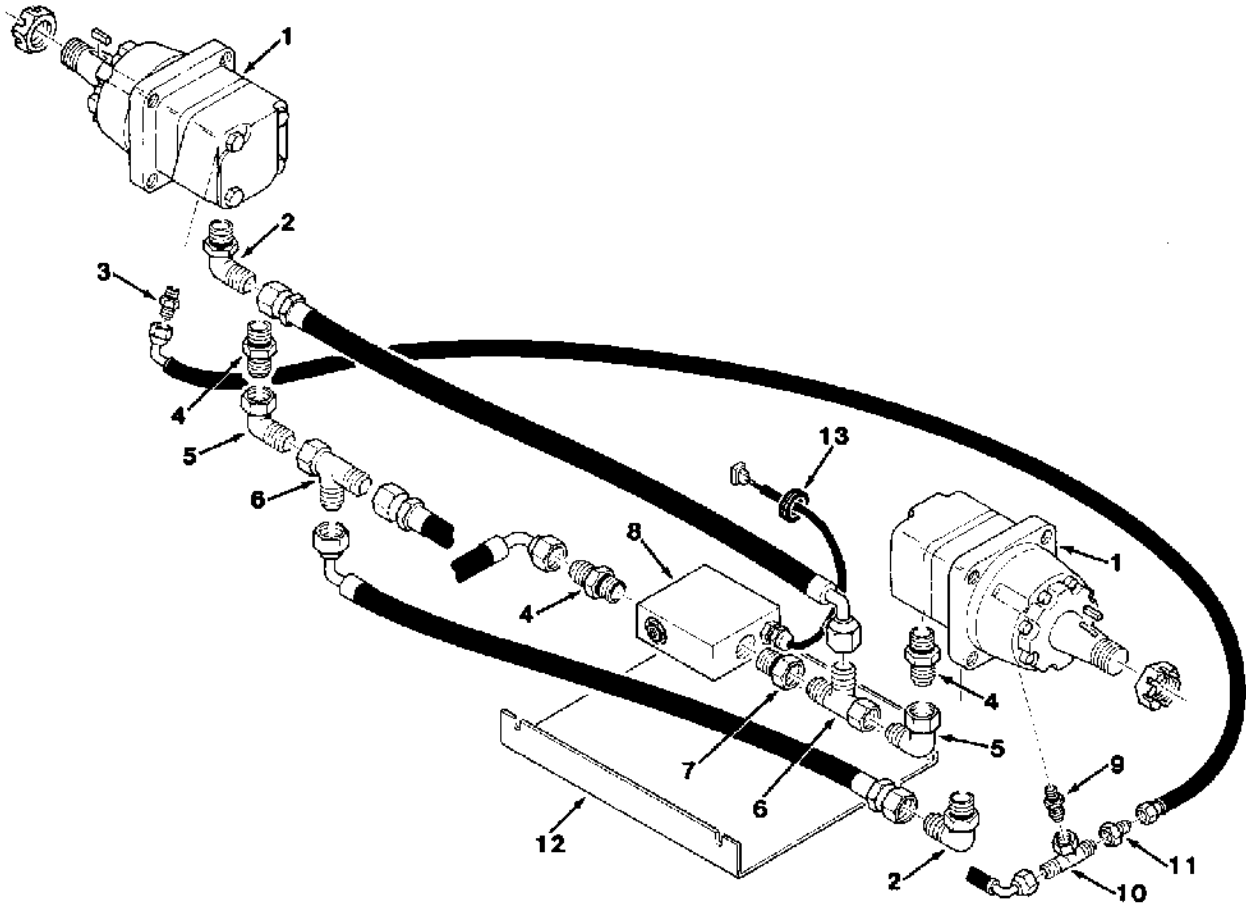


Fig. 71 - Hydraulic Hoses Group, Gas/LPG (001508- )

Ref.	Part No.	Serial Number	Description	Qty.
1	82832	(001508-	) Sleeve, Nyl, 37 25.0l	2
2	65205	(001508-	) Hose, Hyd,Low12, Jf12str /Jf12str , 27.0	3
3	31672	(001508-	) Sleeve, Nyl, #58 35.0l	1
4	1016468	(001508-	) Hose, Hyd, Med06, Jf06str /Jf06e90, 84.0	1
5	79106	(001508-	) Hose, Hyd,Hi 12, Jf12str/Jf12e90, 30.0	1
6	1016471	(001508-	) Hose, Hyd, Med06, Jf06str /Jf06str, 66.0	1
7	1016466	(001508-	) Hose, Hyd, Med08, Jf08str /Jf08e90, 24.0	1
8	57964	(001508-	) Hose, Hyd,Med04, Jf04str /Jf04e90 , 42.0	1
9	79104	(001508-	) Hose, Hyd,Hi 12, Jf12str /Jf12e90 , 32.0	1
10	31600	(001508-	) Hose, Hyd,Low04, Jf04str /Jf04e90 , 25.0	1
11	1016469	(001508-	) Hose, Hyd, Tc 06, Jf06str /Jf06e90, 70.0	1
12	1016462	(001508-	) Hose, Hyd, Med10, Jf10str /Jf10e90, 24.0	1
13	31603	(001508-	) Hose, Hyd,Low06, Jf06str /Jf06e90 , 52.0	1
14	1016460	(001508-	) Hose, Hyd, Med16, Jf16str /Jf16e90, 29.0	1
15	31597	(001508-	) Hose, Hyd,Med06, Jf06str /Jf06e90 , 68.0	1
16	79105	(001508-	) Hose, Hyd,Hi 12, Jf12str/Jf12e90, 26.0	2
17	79107	(001508-	) Hose, Hyd,Hi 12, Jf12str /Jf12str , 40.0	1
18	1016484	(001508-	) Hose, Hyd, Suc24, Jf24str /Jf24e90, 33.0	1
19	31565	(001508-	) Hose, Hyd,Med06, Jf06str /Jf06e90l,115.0	2
20	31602	(001508-	) Hose, Hyd,Low04, Jf04str /Jf04e90 , 30.0	1
21	1016459	(001508-	) Hose, Hyd, Med16, Jf16str /Jf16str, 36.0	1
22	1016472	(001508-	) Hose, Hyd, Med12, Jf12str /Jf12str, 48.0	1
23	31570	(001508-	) Hose, Hyd,Med04, Jf04str /Jf04e45 ,165.0	2
24	375761	(001508-	) Hose, Hyd, Str/Str, 68l	3
25	1016456	(001508-	) Hose, Hyd, Med16, Jf16str/Jf16str, 54.0	1
26	71741	(001508-	) Hose, Hyd,Tc 08, Jf08str /Jf08e90 , 46.0	1
27	1016464	(001508-	) Hose, Hyd, Med08, Jf08str /Jf08e45, 64.0	1
28	1016465	(001508-	) Hose, Hyd, Med06, Jf06str / Jf06e90,66.0	1
29	1016467	(001508-	) Hose, Hyd, Med06, Jf06str / Jf06str,26.0	1
30	381856	(001508-	) Hose, Hyd,Tc 08, Jf08str /Jf08e90 , 36.0	3
31	34380	(001508-	) Hose, Hyd,Med04, Jf04str /Jf04str , 36.0	2
32	27774	(001508-	) Fitting, Hyd, Str, Jm04/Jm04	2

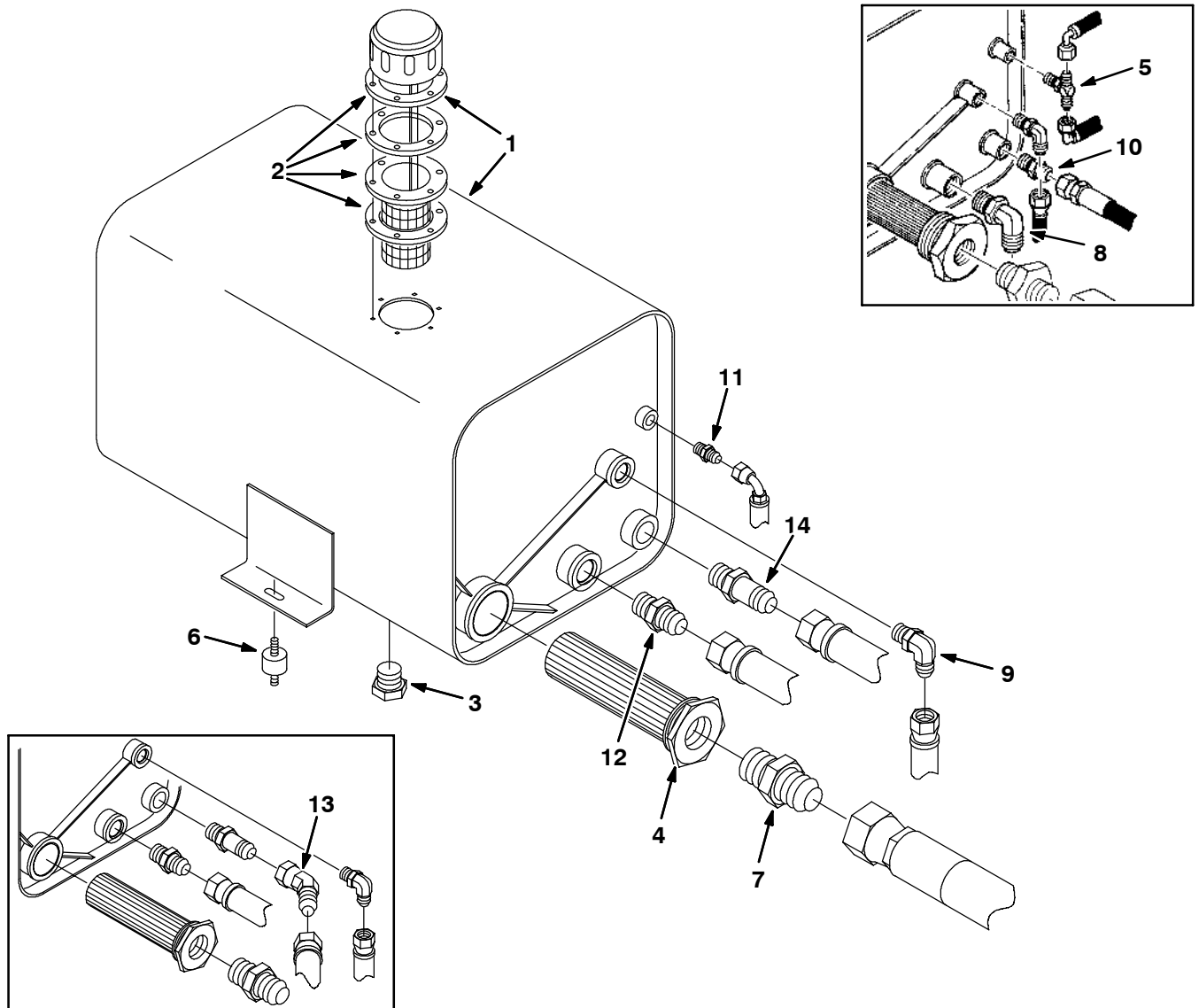
**Fig. 72 - Hydraulic Propelling Motors Group**



09875 - 1550

Ref.	Part No.	Serial Number	Description	Qty.
1	48663	(001000-001093 )	Motor, Hydraulic (See Breakdowns) (Replaced by 378710)	2
1	74162	(001094-001162 )	Motor, Hydraulic (See Breakdowns) (Replaced by 378710)	2
1	22604	(001163-	Motor, Hydraulic (See Breakdowns)	1
2	46481	(001000-	Fitting, Elbow	2
3	55586	(001000-	Fitting, Straight	1
4	42260	(001000-	Fitting, Straight	3
5	35033	(001000-	Fitting, Elbow	2
6	40514	(001000-	Fitting, Tee	2
7	67832	(001000-	Fitting, Straight	1
8	31556	(001000-	Switch, Flow (See Breakdowns)	1
9	50960	(001000-	Fitting, Straight	1
10	35586	(001000-	Fitting, Tee	1
11	47752	(001000-	Fitting, Straight	1
12	02543	(001000-	Guard, Flow Switch	1
13	10632-1	(001000-	Grommet	1

Fig. 73 - Hydraulic Reservoir Group (001000-001505)

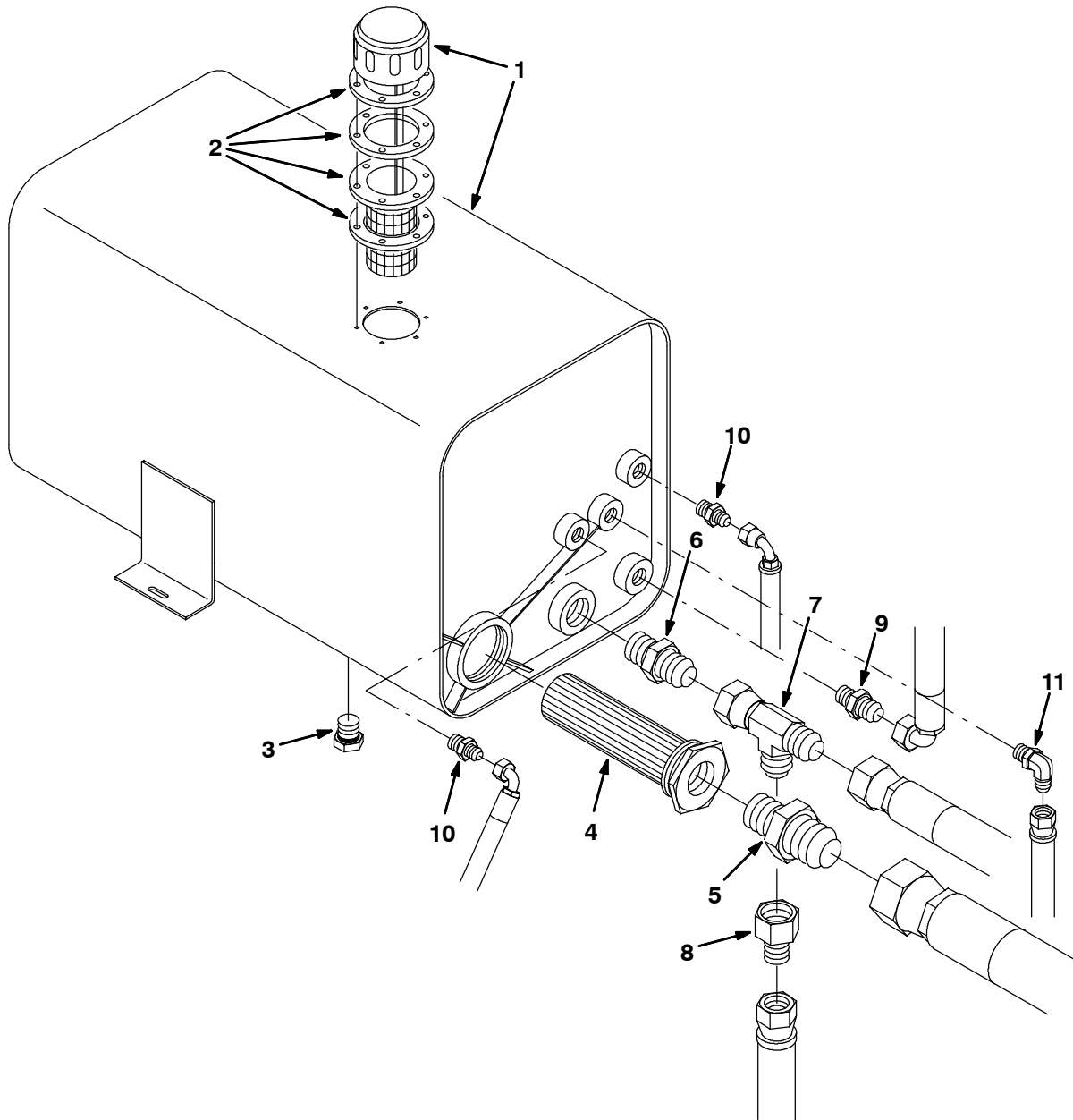


09876 - 1550

Ref.	Part No.	Serial Number	Description	Qty.
▽ 1	31557	(001000-001505 )	Reservoir Assembly, Hydraulic	1
▲ 2	31559	(001000-001505 )	Breather, Filler	1
▲ 3	40362	(001000-001505 )	Fitting, Plug	1
4	31613	(001000-001505 )	Strainer, Suction	1
5	31599	(001000-001103 )	Fitting, Tee	1
6	82661	(001000-001505 )	Isolator, Vibration	4
7	58858	(001000-001505 )	Fitting, Straight	1
8	46481	(001000-001103 )	Fitting, Elbow	1
9	56820	(001000-001505 )	Fitting, Elbow	1
10	44869	(001000-001103 )	Fitting, Straight	1
11	55586	(001104-001505 )	Fitting, Straight	1
12	42260	(001104-001505 )	Fitting, Straight	1
13	07934	(001104-001109 )	Fitting, Elbow, 45°	1
14	62390	(001104-001505 )	Fitting, Straight	1

# STANDARD PARTS

Fig. 74 - Hydraulic Reservoir Group Gas/LPG (001508- )

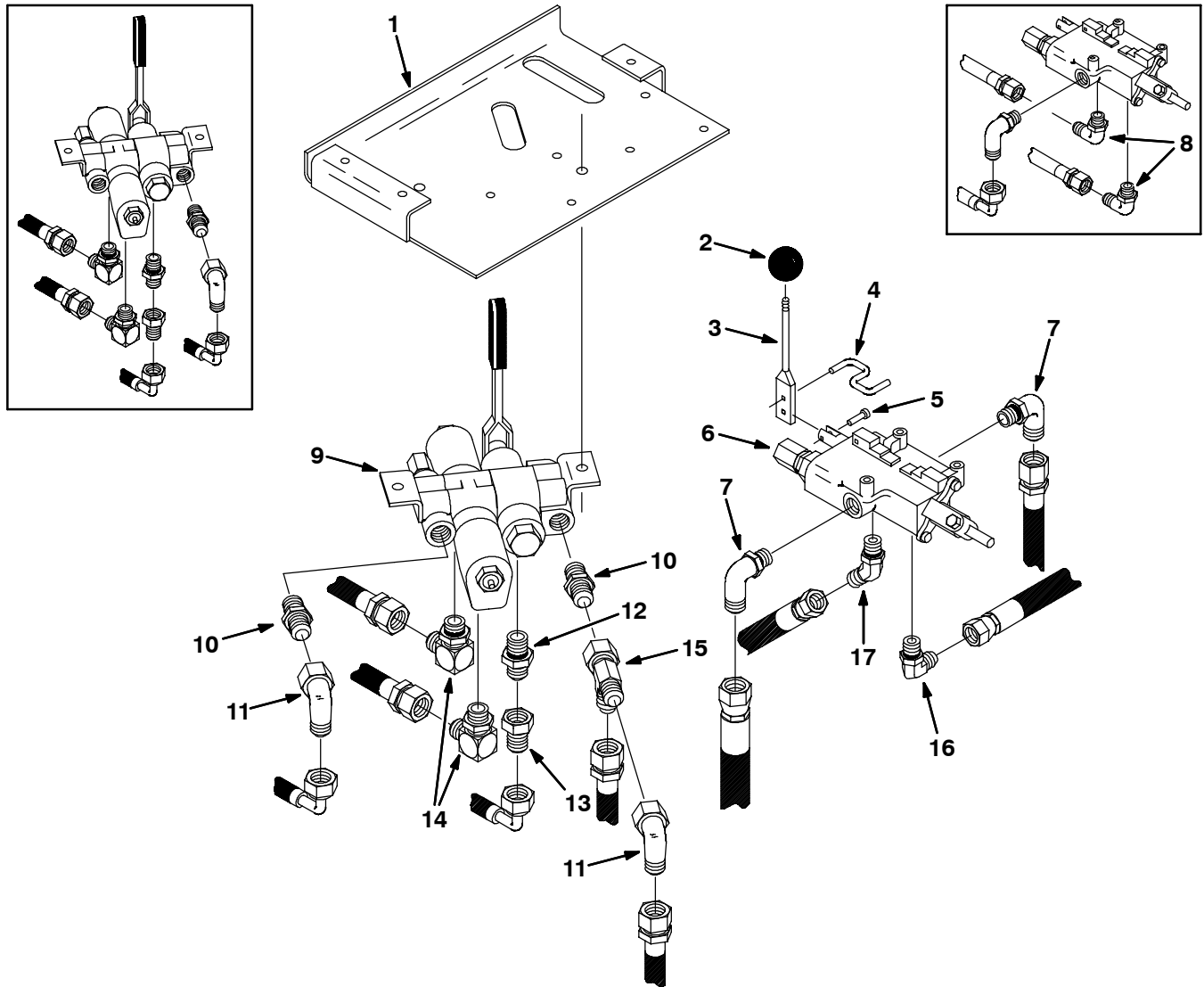


354303 - 550, 1550, G, LP, Impco

Ref.	Part No.	Serial Number	Description	Qty.
▽	1	1015313	(001508- ) Reservoir Assy, 18.3 Gal	1
▲	2	31559	(001508- ) Cap, Breather, Hyd, W/ Basket, 5.3 Ds	1
▲	3	40362	(001508- ) Fitting, Hyd, Plug, Om10	1
	4	31613	(001508- ) Strainer, Hyd, 25gpm 100mesh Psi	1
	5	1016771	(001508- ) Fitting, Hyd, Str, Jm24/Om20	1
	6	52929	(001508- ) Fitting, Hyd, Str, Jm16/Om16	1
	7	73113	(001508- ) Fitting, Hyd, Tee, Jf16/Jm16/Jm16, Run	1
	8	35002	(001508- ) Fitting, Hyd, Str, Jf16/Jm12	1
	9	47518	(001508- ) Fitting, Hyd, Str, Jm10/Om08	1
	10	55685	(001508- ) Fitting, Hyd, Str, Jm04/Om06	2
	11	56820	(001508- ) Fitting, Hyd, E90, Jm06/Om06	1



Fig. 75 - Hydraulic Control Valves Group (001000-001505)



02371 - 550, 1550

Ref.	Part No.	Serial Number	Description	Qty.
1	31632	(001000-001505 )	Bracket, Control Valves	1
2	26565	(001000-001505 )	Knob	1
3	62234	(001000-001505 )	Rod and Link	1
4	32759	(001000-001505 )	Link, Hook	1
5	14605	(001000-001505 )	Pin, Clevis	1
6	32761	(001000-001505 )	Valve, Hydraulic (See Breakdowns)	1
7	47498	(001000-001505 )	Fitting, Elbow	2
8	44868	(001000-001103 )	Fitting, Elbow	2
9	31575	(001000-001505 )	Valve, Hydraulic (See Breakdowns)	1
10	56690	(001000-001505 )	Fitting, Straight	2
11	47504	(001000-001505 )	Fitting, Elbow	2
12	55685	(001000-001505 )	Fitting, Straight	1
13	16456	(001000-001505 )	Fitting, Restrictor	1
14	47638	(001000-001505 )	Fitting, Elbow	2
15	42215	(001104-001505 )	Fitting, Tee	1
16	56827	(001104-001505 )	Fitting, Elbow	1
17	77099	(001104-001505 )	Fitting, Elbow, 45°	1

**Fig. 76 - Hydraulic Control Valves Group, Gas/LPG (001508- )**

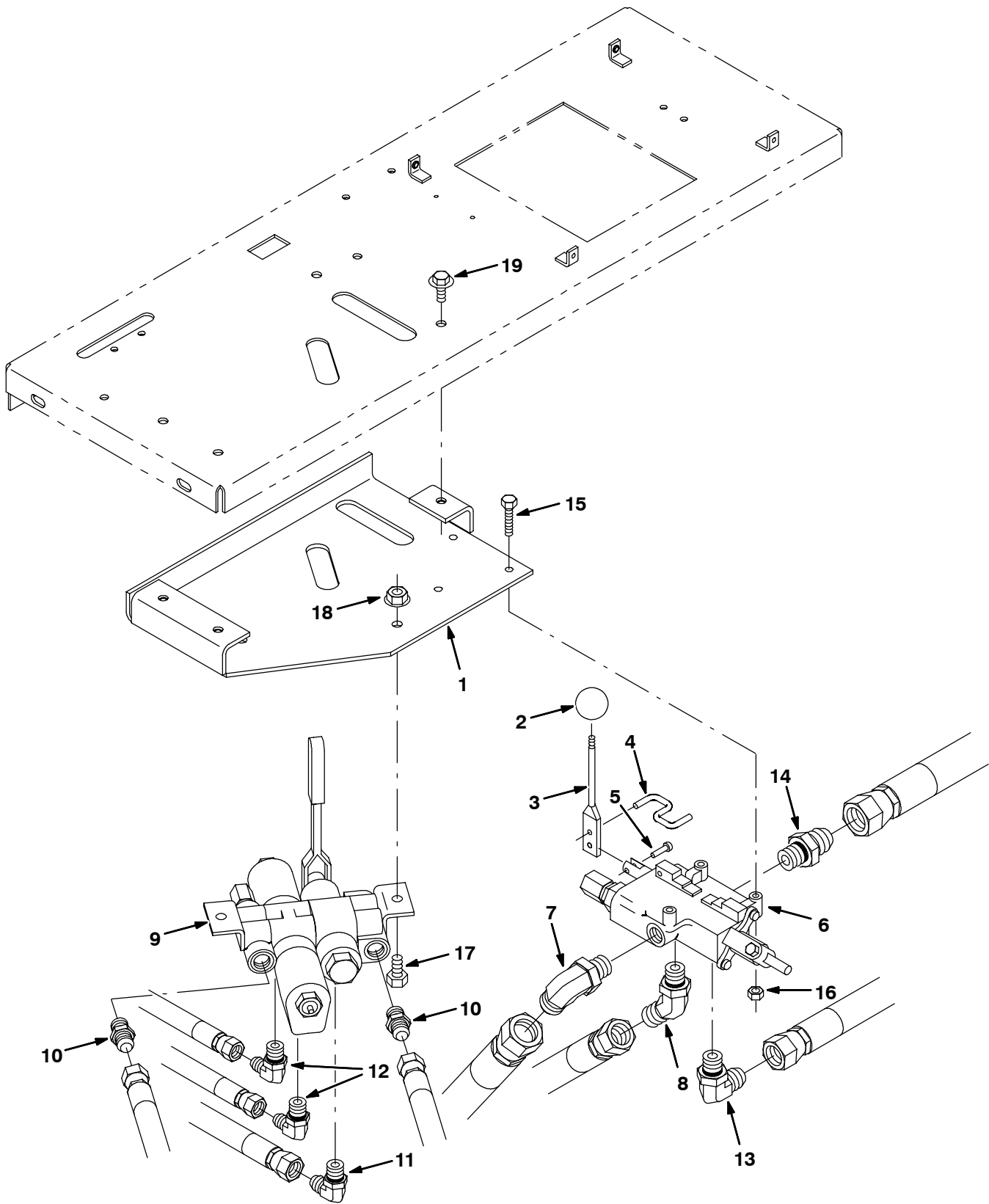
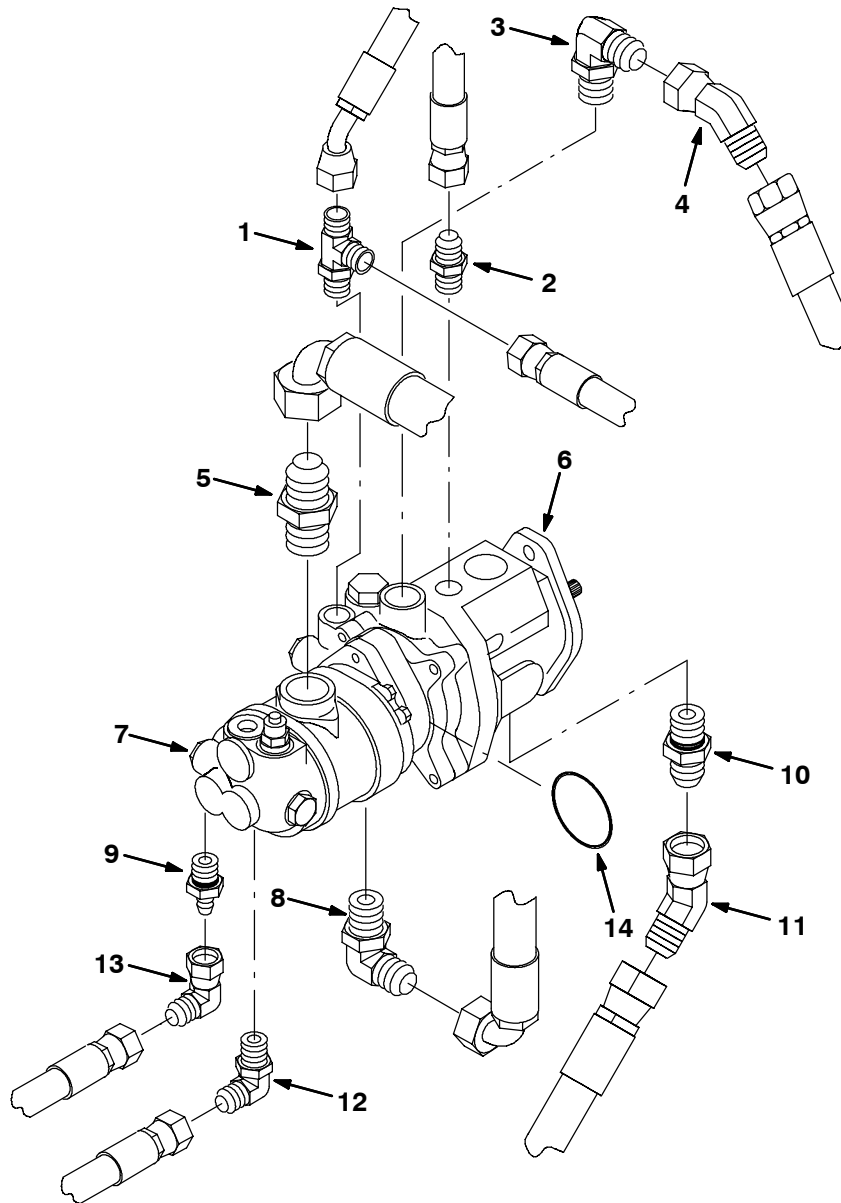


Fig. 76 - Hydraulic Control Valves Group, Gas/LPG (001508- )

Ref.	Part No.	Serial Number	Description	Qty.
1	1016010	(001508-	) Bracket Wldt, Mtg, Valve	1
2	26565	(001508-	) Knob, Ball, 1.25d 0.38-16 Plstc	1
3	62234	(001508-	) Handle, Valve, Cntrl	1
4	32759	(001508-	) Link, Hook	1
5	14605	(001508-	) Pin, Clevis, 0.25 D X 0.75l	1
6	32761	(001508-	) Valve, Hyd, Man, 1sp 20gpm 2400psi (See Breakdowns)	1
7	47498	(001508-	) Fitting, Hyd, E90, Jm12/Om10	1
8	77099	(001508-	) Fitting, Hyd, E45, Jm10/Om08	1
9	31575	(001508-	) Valve, Hyd, Man/Sol, 12vdc 05gpm 1200psi (See Breakdowns)	1
10	56690	(001508-	) Fitting, Hyd, Str, Jm06/Om06	2
11	56820	(001508-	) Fitting, Hyd, E90, Jm06/Om06	1
12	47638	(001508-	) Fitting, Hyd, E90, Jm04/Om06	2
13	56827	(001508-	) Fitting, Hyd, E90, Jm10/Om08	1
14	06750	(001508-	) Fitting, Hyd, Str, Jm12/Om10	1
15	25048	(001508-	) Screw, Hex, .25-20 X 1.50, 5	3
16	32981	(001508-	) Nut, Hex, Lock, .25-20, NI	3
17	21195	(001508-	) Screw, Hex, .38-16 X 0.75, 5	2
18	27980	(001508-	) Nut, Hex, Flng, .38-16	2
19	16953	(001508-	) Screw, Hex, .31-18 X 0.75, Sems	3

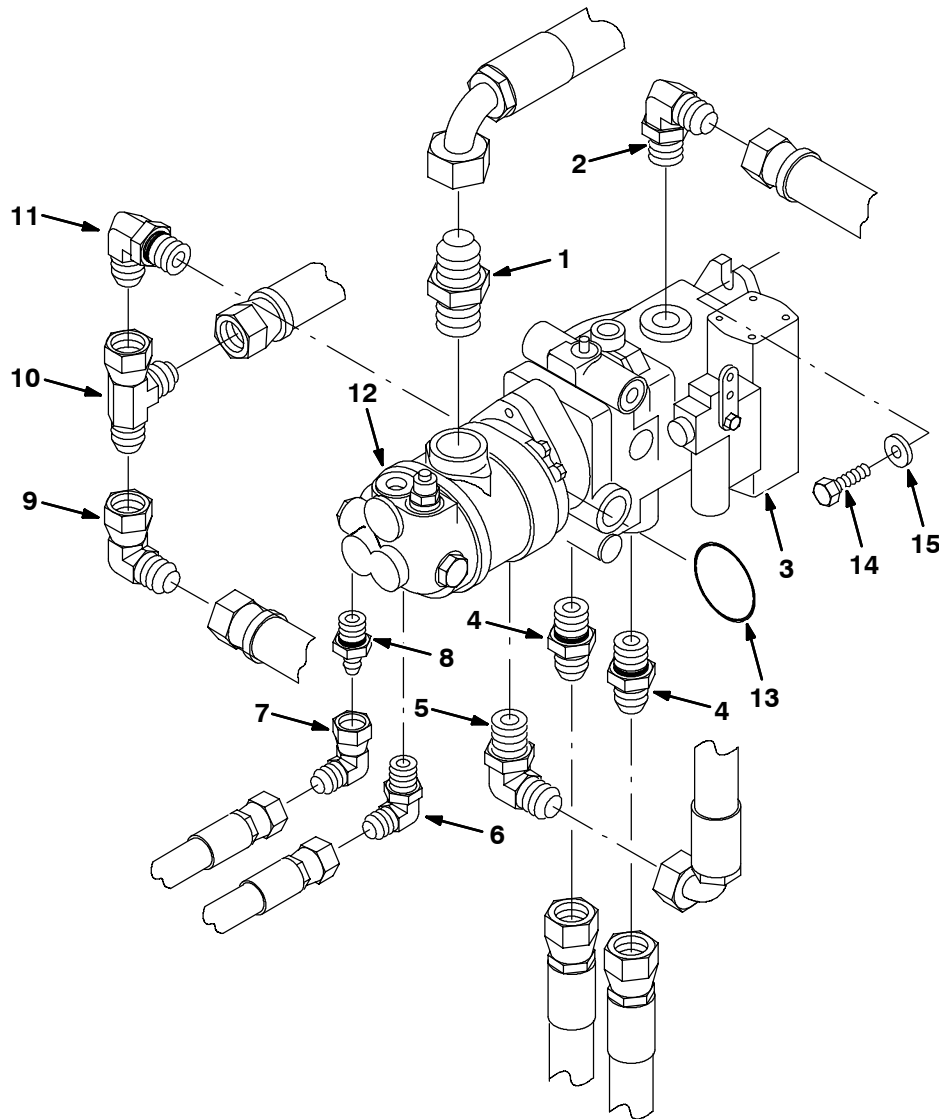
**Fig. 77 - Hydraulic Pumps Group (001000-001103)**



06019 - 550, 1550

Ref.	Part No.	Serial Number	Description	Qty.
1	40755	(001000-001103 )	Fitting, Tee	1
2	55685	(001000-001103 )	Fitting, Straight	1
3	46481	(001000-001103 )	Fitting, Elbow	1
4	07934	(001000-001103 )	Fitting, Elbow, 45°	1
5	58858	(001000-001103 )	Fitting, Straight	1
6	34310	(001000-001103 )	Pump, Hydrualic (See Breakdowns) (Replaced by 397689)	1
7	48880	(001000-001103 )	Pump, Hydrualic (See Breakdowns)	1
8	47498	(001000-001103 )	Fitting, Elbow	1
9	47508	(001000-001103 )	Fitting, Straight	1
10	42260	(001000-001103 )	Fitting, Straight	1
11	07934	(001000-001103 )	Fitting, Elbow, 45°	1
12	47512	(001000-001103 )	Fitting, Elbow	1
13	47504	(001000-001103 )	Fitting, Elbow	1
14	65145-1	(001000-001103 )	Seal, O-Ring	1

Fig. 78 - Hydraulic Pumps Group (001104-001505)

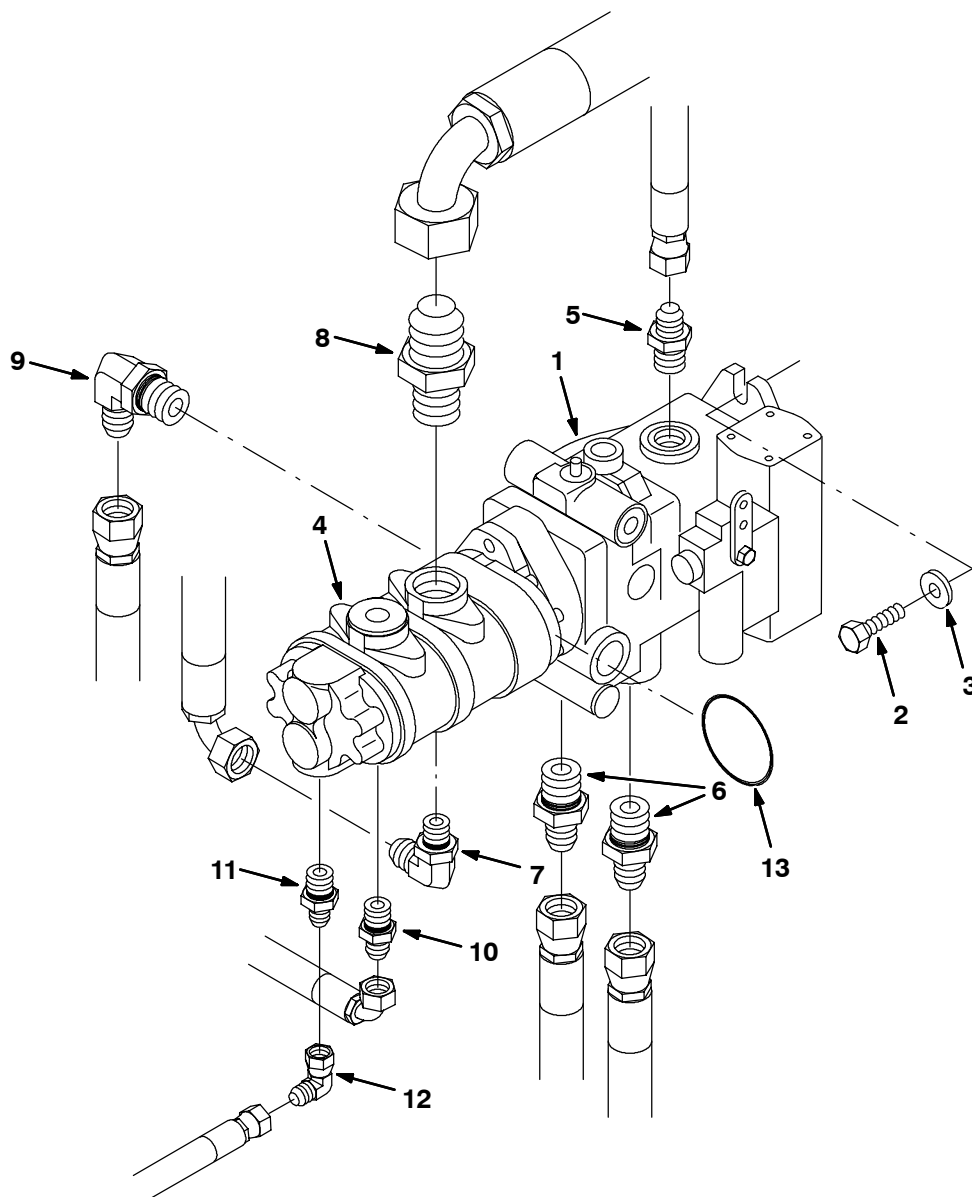


10144 - 550, 1550

Ref.	Part No.	Serial Number	Description	Qty.
1	58858	(001104-001505 )	Fitting, Straight	1
2	46481	(001104-001505 )	Fitting, Elbow	1
3	74163	(001104-001369 )	Pump, Hydrualic (See Breakdowns)	1
3	373404	(001370-001505 )	Pump, Hydrualic (See Breakdowns)	1
4	67310	(001104-001505 )	Fitting, Straight	2
5	47498	(001104-001505 )	Fitting, Elbow	1
6	47512	(001104-001505 )	Fitting, Elbow	1
7	47504	(001104-001505 )	Fitting, Elbow	1
8	47508	(001104-001505 )	Fitting, Elbow	1
9	35033	(001104-001505 )	Fitting, Elbow	1
10	40514	(001104-001505 )	Fitting, Tee	1
11	52911	(001104-001505 )	Fitting, Elbow	1
12	79078	(001104-001423 )	Pump, Hydrualic (See Breakdowns) (Replaced by None)	1
12	373245	(001424-001505 )	Pump, Hydrualic (See Breakdowns)	1
13	65145-1	(001104-001505 )	Seal, O-Ring	1
14	68768	(001104-001505 )	Screw, Hex, .50-20 X 1.25, NI	2
15	32486	(001104-001505 )	Washer, Flat, 0.50 Sae	2

# STANDARD PARTS

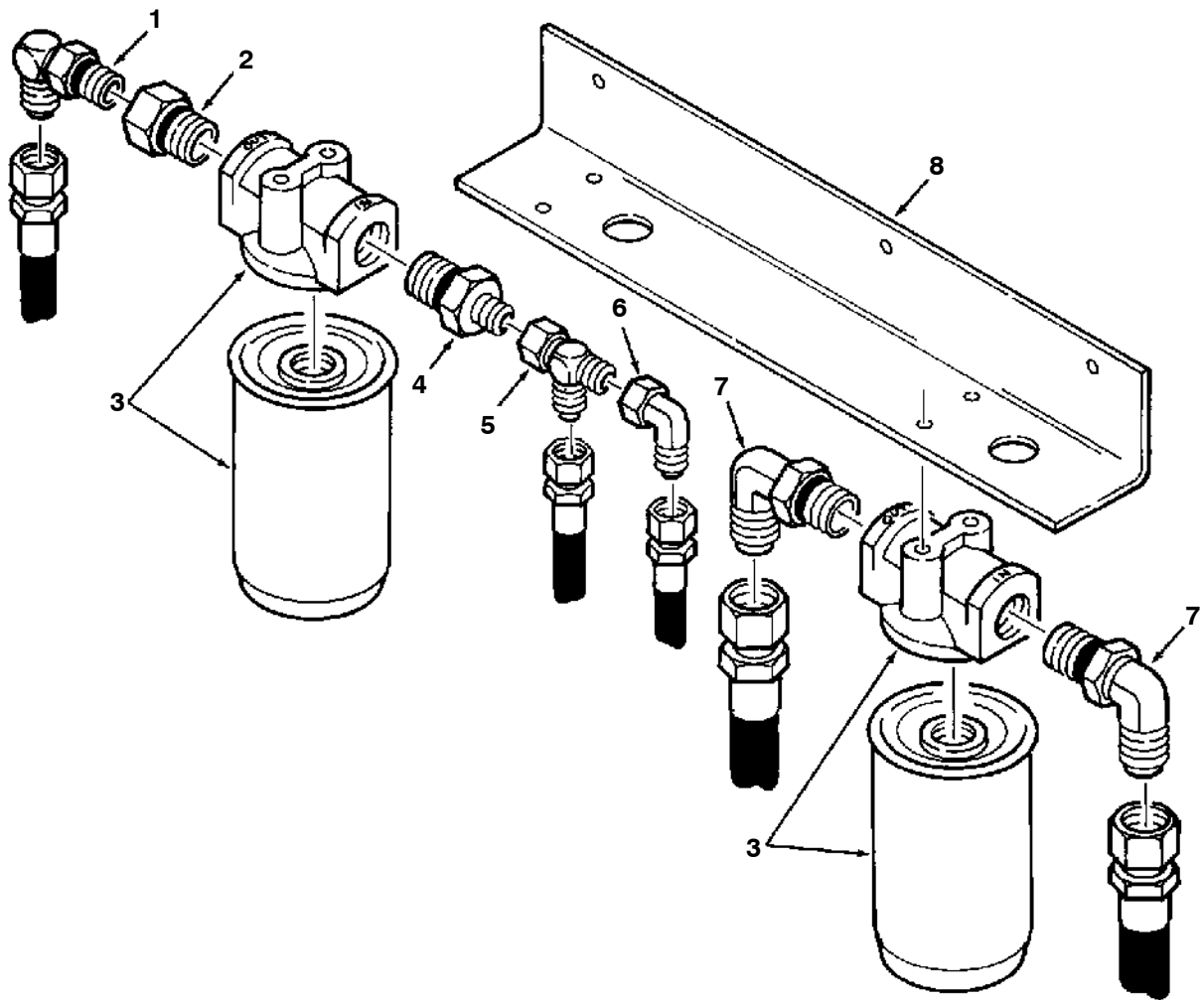
Fig. 79 - Hydraulic Pumps Group, Gas/LPG (001508- )



10144 - 550, 1550, G, LP, Impco

Ref.	Part No.	Serial Number	Description	Qty.
1	373404	(001508- )	Pump, Hyd, Piston [V] 2.48 [R] 4500 (See Breakdowns)	1
2	68768	(001508- )	Screw, Hex, .50-20 X 1.25, NI	2
3	32486	(001508- )	Washer, Flat, 0.50 Sae	2
4	1014956	(001508- )	Pump, Hyd, Gear, [Ex3] 1.69 [R] 3000 (See Breakdowns)	1
5	42223	(001508- )	Fitting, Hyd, Str, Jm10/Om12	1
6	67310	(001508- )	Fitting, Hyd, Str, Jm12/Om16	2
7	47498	(001508- )	Fitting, Hyd, E90, Jm12/Om10	1
8	1016771	(001508- )	Fitting, Hyd, Str, Jm24/Om20	1
9	52911	(001508- )	Fitting, Hyd, E90, Jm12/Om16	1
10	56692	(001508- )	Fitting, Hyd, Str, Jm08/Om10	1
11	47508	(001508- )	Fitting, Hyd, Str, Jm06/Om10	1
12	47504	(001508- )	Fitting, Hyd, E90, Jf06/Jm06	1
13	65145-1	(001508- )	Seal, O-Ring, .069 X 03.06id	1

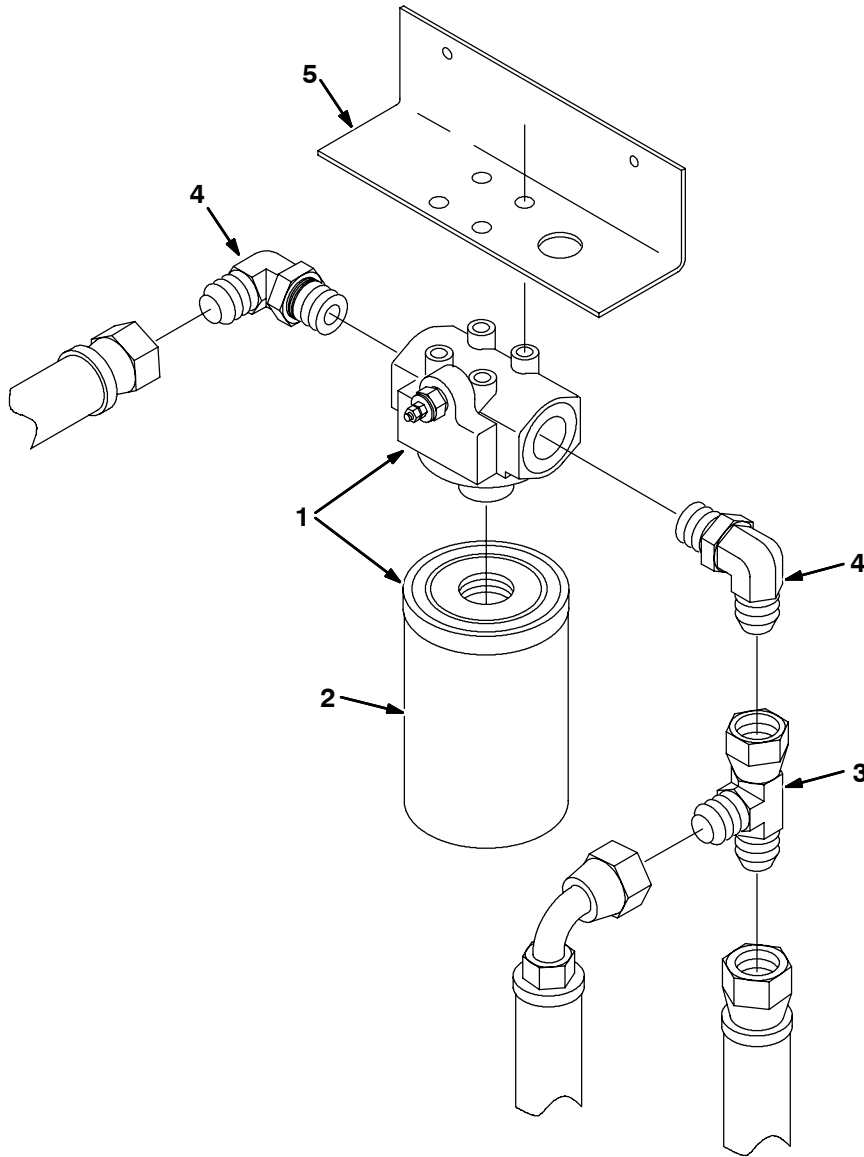
Fig. 80 - Hydraulic Filters Group (001000-001103)



02382 - 550, 1550

Ref.	Part No.	Serial Number	Description	Qty.
1	44868	(001000-001103 )	Fitting, Elbow	1
2	47519	(001000-001103 )	Fitting, Straight	1
▽	3	55619	(001000-001103 ) Filter Assembly, Hydraulic	2
▲		55740	(001000-001103 ) Element, Filter	1
4	31572	(001000-001103 )	Fitting, Straight	1
5	42215	(001000-001103 )	Fitting, Tee	1
6	47504	(001000-001103 )	Fitting, Elbow	1
7	46481	(001000-001103 )	Fitting, Elbow	2
8	31593	(001000-001103 )	Bracket, Filters Mounting	1

**Fig. 81 - Hydraulic Filter Group (001104-001505)**

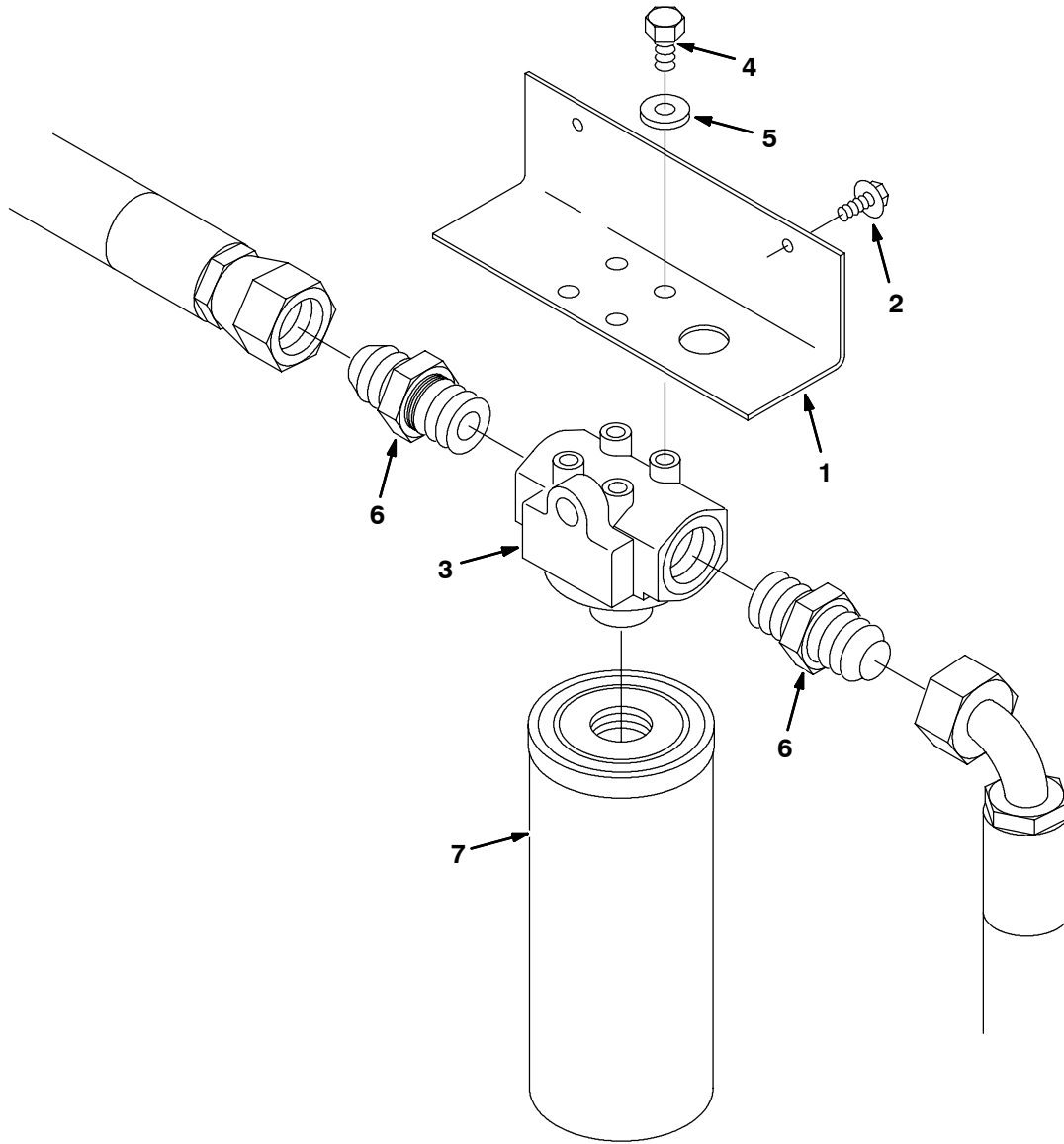


10149 - 550, 1550

Ref.	Part No.	Serial Number	Description	Qty.
▽	1	10664	(001104-001505 ) Filter Assembly, Hydraulic	1
▲	2	65221	(001104-001505 ) Element, Filter	1
	3	40514	(001104-001505 ) Fitting, Tee	1
	4	46481	(001104-001505 ) Fitting, Elbow	2
	5	79075	(001104-001505 ) Bracket, Filters Mounting	1



Fig. 82 - Hydraulic Filter Group, Gas/LPG (001508- )



10149 - 550, 1550, G, LP, Impco

Ref.	Part No.	Serial Number	Description	Qty.
1	79075	(001508- )	Bracket, Mtg, Fltr, Oil, Hyd	1
2	87783	(001508- )	Screw, Hex, .25-20 X 0.62, Fmg	2
3	1015018	(001508- )	Head Assy, Fltr, Hyd	1
4	21195	(001508- )	Screw, Hex, .38-16 X 0.75, 5	4
5	41187	(001508- )	Washer, Belleville, .38	4
6	52929	(001508- )	Fitting, Hyd, Str, Jm16/Om16	2
7	1015933	(001508- )	Element, Fltr, Oil, Spin-on [Dn]	1

# STANDARD PARTS

Fig. 83 - Hydraulic Solenoid Valve and Manifold Group, Gas/LPG (001508- )

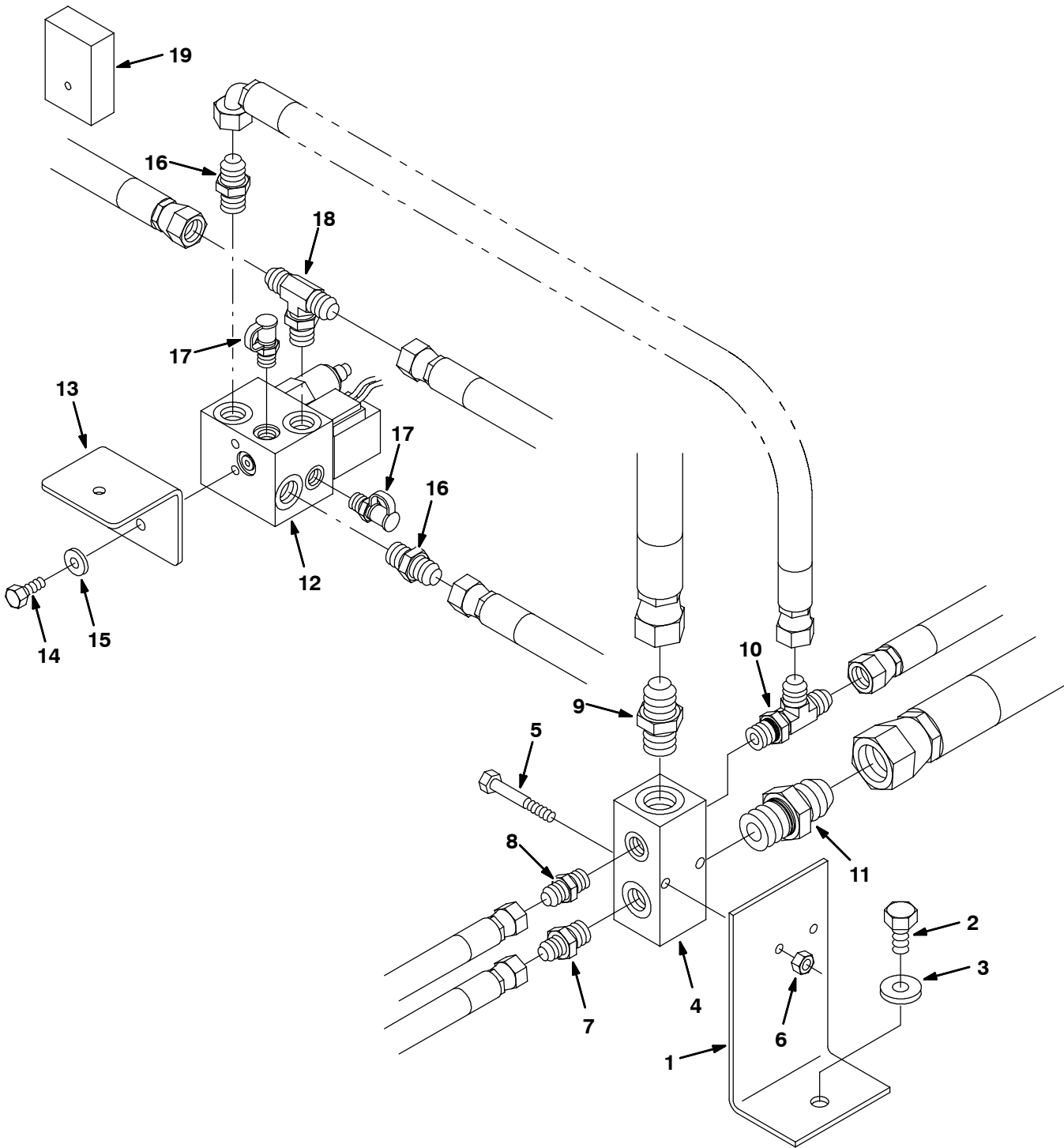
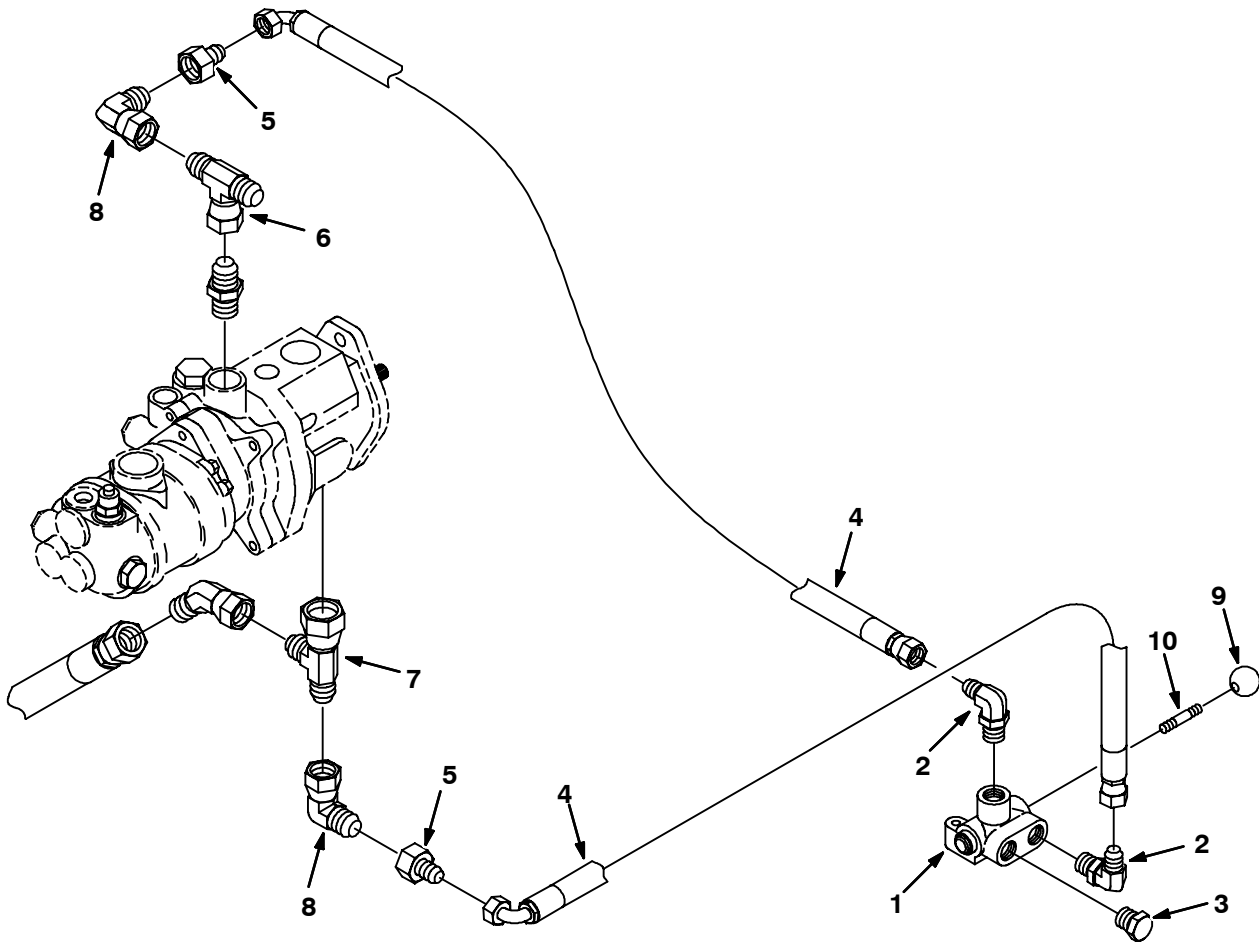


Fig. 83 - Hydraulic Solenoid Valve and Manifold Group, Gas/LPG (001508- )

Ref.	Part No.	Serial Number	Description	Qty.
1	1015307	(001508-	) Bracket, Mtg, Manifold	1
2	39807	(001508-	) Screw, Hex, .50-13 X 0.75, 5	1
3	36328	(001508-	) Washer, Belleville, .50	1
4	73108	(001508-	) Manifold, Hyd, Collector	1
5	19572	(001508-	) Screw, Hex, .31-18 X 2.50, 5	2
6	32983	(001508-	) Nut, Hex, Lock, .31-18, NI	2
7	52402	(001508-	) Fitting, Hyd, Str, Jm06/Om08	1
8	56690	(001508-	) Fitting, Hyd, Str, Jm06/Om06	1
9	42260	(001508-	) Fitting, Hyd, Str, Jm12/Om12	1
10	40755	(001508-	) Fitting, Hyd, Tee, Jm08/Jm08/Om08, Run	1
11	52929	(001508-	) Fitting, Hyd, Str, Jm16/Om16	1
12	1020194	(001508-	) Valve, Hyd, Solenoid [01S15G3100] (See Breakdowns)	1
13	1015991	(001508-	) Bracket, Mtg, Valve	1
14	54396	(001508-	) Screw, Hex, .31-18 X 0.75, 5	2
15	39349	(001508-	) Washer, Flat, 0.31 Sae	2
16	44869	(001508-	) Fitting, Hyd, Str, Jm08/Om08	2
17	395973	(001508-	) Fitting, Hyd, Str, Om04/Qm04	2
18	49933	(001508-	) Fitting, Hyd, Tee, Jm08/Jm08/Om08, Br	1
19	1016408	(001508-	) Timer, 12vdc, 15s	1

# STANDARD PARTS

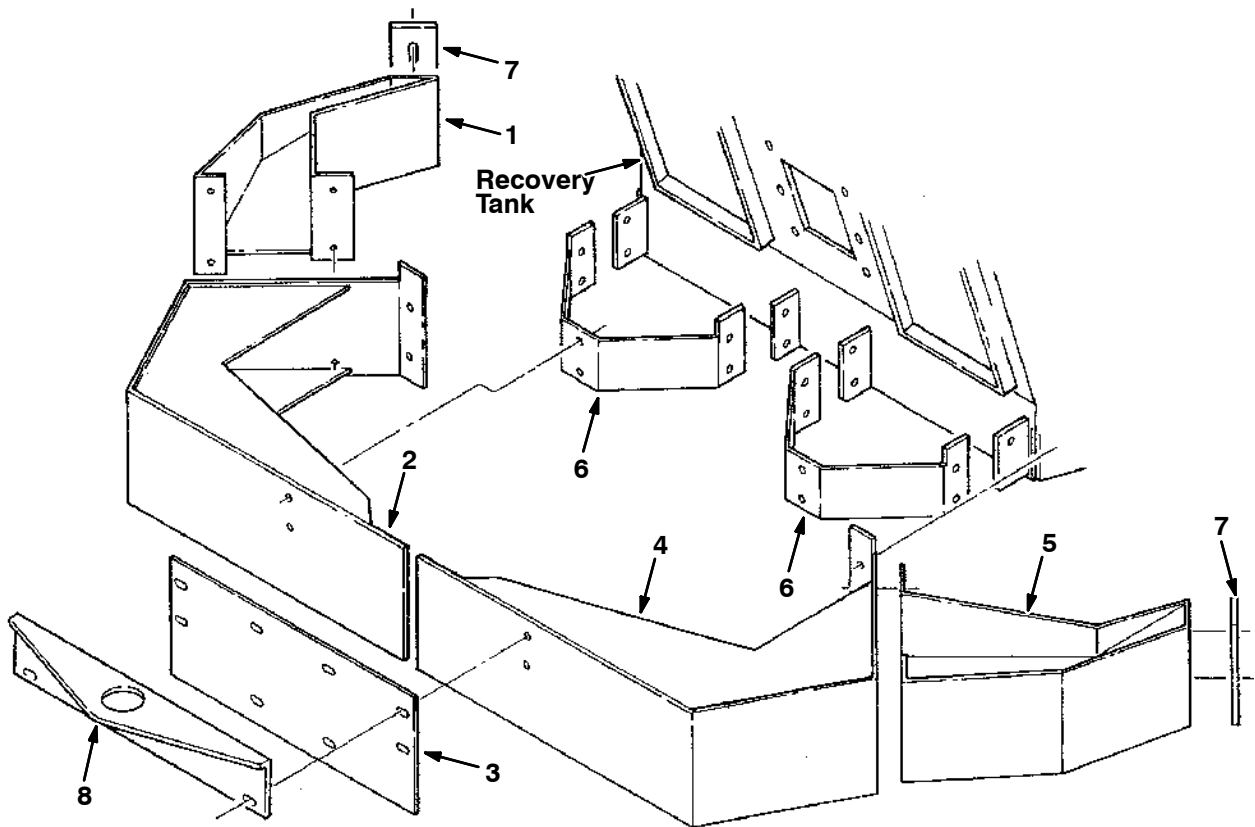
Fig. 84 - Hydraulic Tow Bypass Group (001061-001103)



09752 - 550, 1550

Ref.	Part No.	Serial Number	Description	Qty.
1	48108A	(001061-001103 )	Valve, Hydraulic (See Breakdowns)	1
2	56821	(001061-001103 )	Fitting, Elbow	2
3	40362	(001061-001103 )	Fitting, Plug	1
4	57196	(001061-001103 )	Hose, Hydraulic	2
5	78143	(001061-001103 )	Fitting, Straight	2
6	62389	(001061-001103 )	Fitting, Tee	1
7	40514	(001061-001103 )	Fitting, Tee	1
8	35033	(001061-001103 )	Fitting, Elbow	2
9	26565	(001061-001103 )	Knob	1
10	36829	(001061-001103 )	Stud	1

Fig. 85 - Rear Bumper Group



06949 - 1550

Ref.	Part No.	Serial Number	Description	Qty.
1	78673	(001000-	) Guard, L.H.	1
2	61259	(001000-	) Bumper, Rear, L.H., 1550	1
3	75132	(001000-	) Plate, Bumper	1
4	61260	(001000-	) Bumper, Rear, R.H., 1550	1
5	78670	(001000-	) Guard, R.H.	1
6	61261	(001000-	) Bracket, Mounting, 1550	2
7	75190	(001000-	) Guard, Squeegee	2
8	32117	(001061-	) Bracket, Tow Bypass	1

**Fig. 86 - Vacuum Fan Assembly, Gas/LPG (001000-001505)**

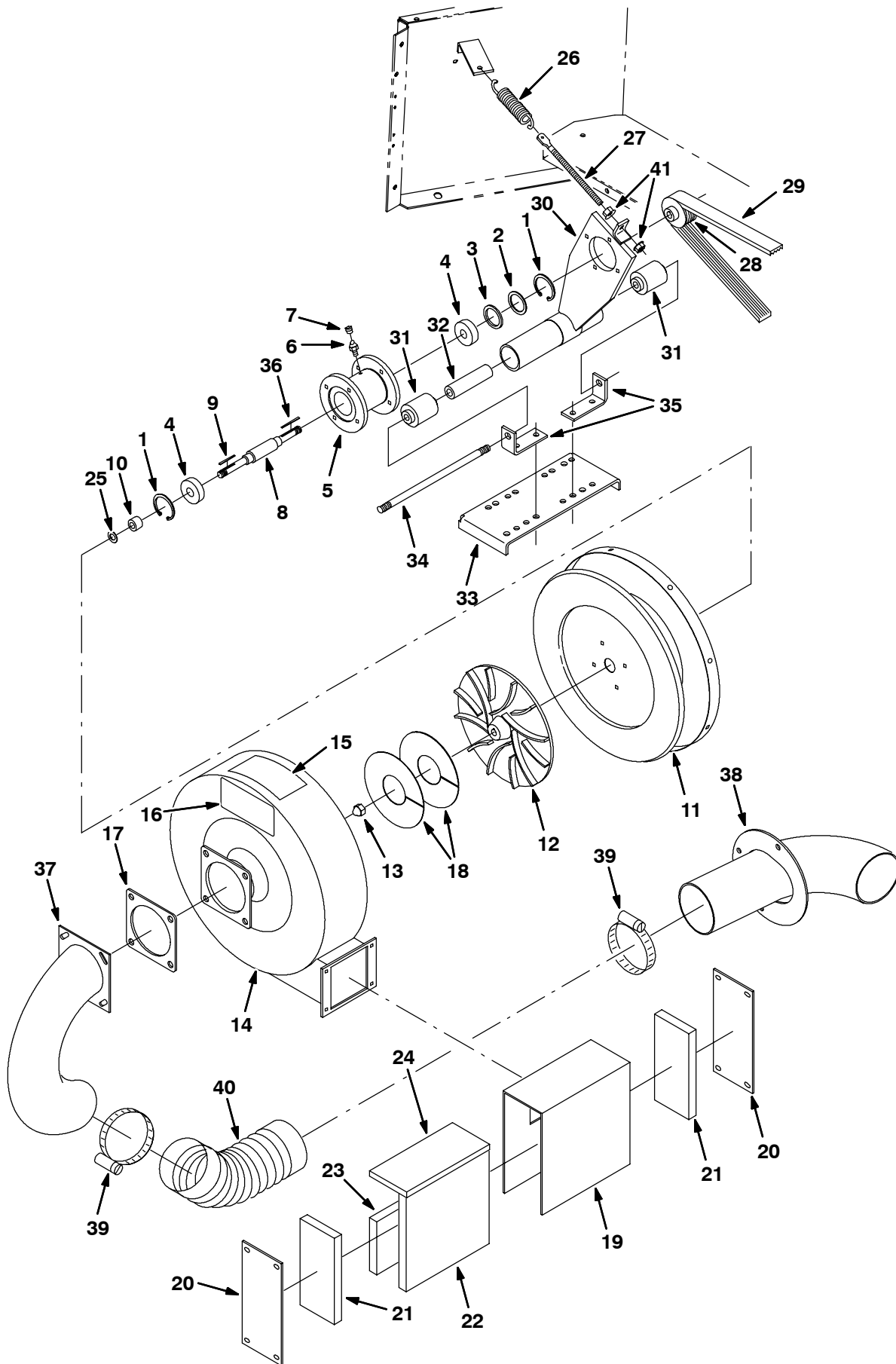


Fig. 86 - Vacuum Fan Assembly, Gas/LPG (001000-001505)

Ref.	Part No.	Serial Number	Description	Qty.
▽	61701	(001000-001505 )	Fan Assembly, Vacuum	1
▲	1 10464	(001000-001505 )	Ring, Retaining	2
▲	2 75454	(001000-001505 )	Shim	1
▲	3 42809	(001000-001505 )	Washer, Wavy	1
▲	4 40496	(001000-001505 )	Bearing, Ball	2
▲	5 16400	(001000-001505 )	Housing, Bearing	1
▲	6 47801	(001000-001505 )	Fitting, Grease	1
▲	7 40390	(001000-001505 )	Cover, Grease	1
▲	8 375613	(001000-001505 )	Shaft, Fan	1
▲	9 00966	(001000-001505 )	Key, Square	1
▲	10 75461	(001000-001505 )	Sleeve	1
▲	11 58107	(001000-001505 )	Housing, Rear	1
▲	12 03922	(001000-001505 )	Impeller	1
▲	13 41130	(001000-001505 )	Nut, Low Crown	1
▲▽	25383	(001000-001505 )	Housing Assembly, Front	1
▲▲	14 25189	(001000-001505 )	Housing, Front	1
▲▲	15 41007	(001000-001505 )	Label, Lubricating Instructions	1
▲▲	16 40052	(001000-001505 )	Label, Danger, Fan Suction	1
▲▲	17 25216	(001000-001505 )	Gasket, Fan	1
▲	18 58114	(001000-001505 )	Repair Kit, Fan Assembly	1
▲▽	09314	(001000-001505 )	Muffler Assembly	1
▲▲	19 25207	(001000-001505 )	Frame, Muffler	1
▲▲	20 391854	(001000-001505 )	Plate, Side	2
▲▲	21 25373	(001000-001505 )	Foam, Acoustic	2
▲▲	22 25359	(001000-001505 )	Foam, Acoustic	1
▲▲	23 25364	(001000-001505 )	Foam, Acoustic	1
▲▲	24 25365	(001000-001505 )	Foam, Acoustic	1
▲	25 75456	(001000-001505 )	Shim, 0.003 in (0.07 mm)	1
▲	75456-1	(001000-001505 )	Shim, 0.005 in (0.12 mm)	1
▲	75456-2	(001000-001505 )	Shim, 0.010 in (0.25 mm)	2
▲	75456-3	(001000-001505 )	Shim, 0.020 in (0.50 mm)	2
▲	75456-4	(001000-001505 )	Shim, 0.060 in (1.52 mm)	2
	26 50864	(001000-001505 )	Spring, Tension	1
	27 42331-1	(001000-001505 )	Bolt, Eye	1
	28 375614	(001000-001505 )	Sheave, Fan	1
	29 391844	(001000-001505 )	V-Belt	1
▽	25640	(001000-001505 )	Bracket Mounting Assembly, Fan	1
▲	30 25632	(001000-001505 )	Bracket, Mounting	1
▲	31 25384	(001000-001505 )	Bearing	2
▲	32 25636	(001000-001505 )	Spacer	1
	33 378967	(001000-001505 )	Mount, Fan	1
	34 25637	(001000-001505 )	Rod, Threaded	1
	35 25639	(001000-001505 )	Bracket, Angle	2
	36 00911	(001000-001505 )	Key, Square	1
	37 25212	(001000-001505 )	Tube, Intake	1
	38 09311	(001000-001505 )	Tube, Inlet	1
	39 23498	(001000-001505 )	Clamp, Wormdrive	2
	40 40870-2	(001000-001505 )	Hose Assembly	1
	41 27980	(001000-001505 )	Nut, Hex, Fling, .38-16	2

# STANDARD PARTS

Fig. 87 - Vacuum Fan Group, Gas/LPG (001508- )

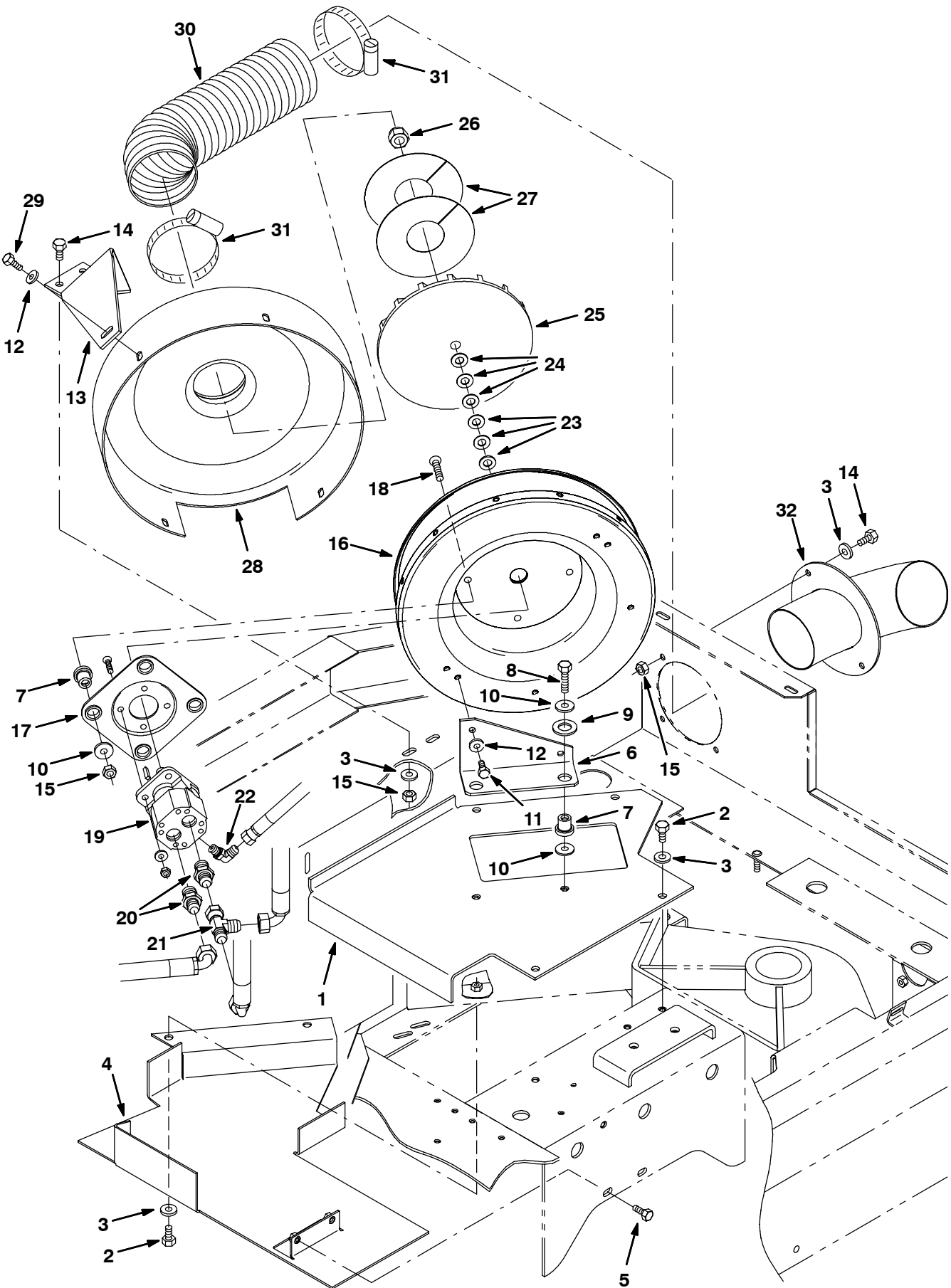




Fig. 87 - Vacuum Fan Group, Gas/LPG (001508- )

Ref.	Part No.	Serial Number	Description	Qty.
1	1015034	(001508-	) Plate, Exhaust, Vac Fan	1
2	02994	(001508-	) Screw, Hex, .38-16 X 0.75, Ss	6
3	32492	(001508-	) Washer, Flat, 0.38 Std	11
4	1015035	(001508-	) Plate, Shield, Heat	1
5	54396	(001508-	) Screw, Hex, .31-18 X 0.75, 5	2
6	1015467	(001508-	) Bracket, Mtg, Vac Fan	1
7	54274	(001508-	) Isolator, Vib, Bshg, 1.1d 0.6l .4b 0.78h	6
8	36845	(001508-	) Screw, Hex, .38-16 X 1.50, Ss	2
9	39350	(001508-	) Washer, Flat, 0.75 Sae	2
10	13248	(001508-	) Washer, Flat, 0.40b 1.12d .12, Stl, Pl	8
11	15675	(001508-	) Screw, Hex, M8 X 1.25 X 16, Ss	2
12	41186	(001508-	) Washer, Belleville, .31	8
13	1015473	(001508-	) Bracket, Mtg, Vac Fan	1
14	21195	(001508-	) Screw, Hex, .38-16 X 0.75, 5	5
15	50902	(001508-	) Nut, Hex, Lock, .38-16, NI	9
16	73270	(001508-	) Housing Wldt, Vacfan, Rear, 9.0impeller	1
17	54275A	(001508-	) Bracket, Mtg, Motor	1
18	54861	(001508-	) Screw, Flt, .38-16 X 1.50, Al	4
19	1023322	(001508-	) Motor, Hyd, Gear, Ex 0.13 L 3000 (See Breakdowns)	1
20	56692	(001508-	) Fitting, Hyd, Str, Jm08/Om10	2
21	45482	(001508-	) Fitting, Hyd, Tee, Jf08/Jm08/Jm08, Run	1
22	77097	(001508-	) Fitting, Hyd, E90, Jm04/Om04	1
23	75456-3	(001508-	) Shim, Washer, 0.88d 0.51b .020	3
24	75456-4	(001508-	) Shim, Washer, 0.88d 0.51b .060	3
25	03922	(001508-	) Impeller, 9.5d, 18 Blade Mach	1
26	41130	(001508-	) Nut, Low Crown, .50-20	1
27	58114	(001508-	) Kit, Repair, Reassembly, Fan	1
28	25821	(001508-	) Housing, Vacfan, Front, W/ Label	1
29	16931	(001508-	) Screw, Hex, M8 X 1.25 X 20, 8.8	6
30	1015850	(001508-	) Hose, Flex, Vacuum, 4.0d 15.0l	1
31	23498	(001508-	) Clamp, Hose, Wormdrive, 3.56-4.50d, .50w	2
32	1015996	(001508-	) Tube Wldt, Fan, Vacuum	1

Fig. 88 - Trunnion Group

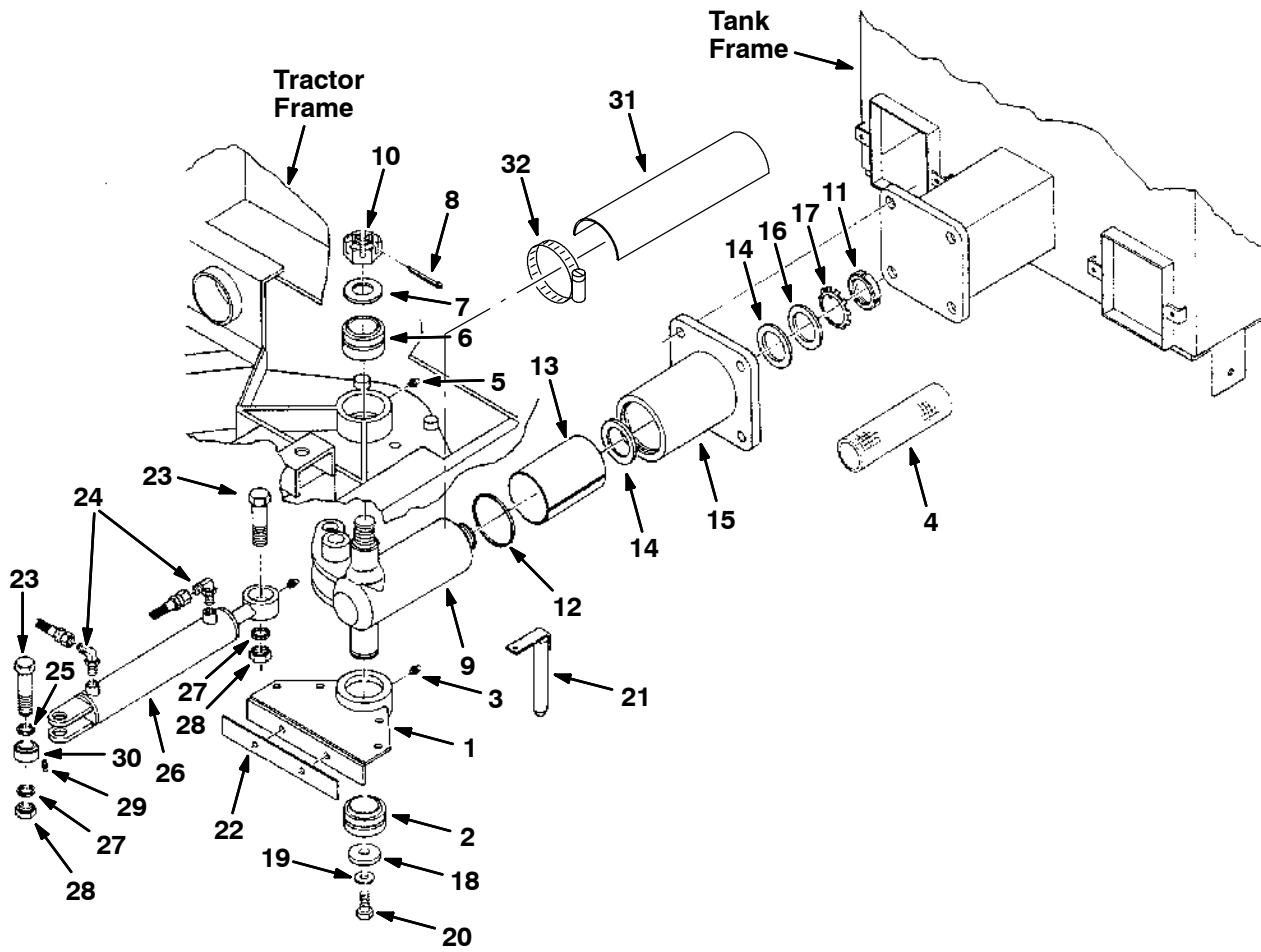


Fig. 88 - Trunnion Group

Ref.	Part No.	Serial Number	Description	Qty.
▽	42399	(001000-	) Support Assembly, Lower Bearing	1
▲	1 42311	(001000-	) Support, Lower Bearing	1
▲	2 42120-2	(001000-	) Bearing	1
▲	3 07259	(001000-	) Fitting, Grease	1
	4 82833	(001000-	) Sleeve, Nylon	1
	5 07259	(001000-	) Fitting, Grease	1
	6 42120-2	(001000-	) Bearing	1
	7 41066	(001000-	) Washer	3
	8 08298	(001000-	) Pin, Cotter	1
▽	08100	(001000-	) Housing Assembly, Bearing	1
▲▽	9 06846	(001000-	) Pivot, Shaft	1
▲▲	10 13611	(001000-	) Nut, Slotted Hex	1
▲▲	11 41073	(001000-	) Nut, Lock	1
▲	12 41082	(001000-	) O-Ring	1
▲	13 41083	(001000-	) Bearing, Liner	1
▲	14 41084	(001000-	) Bearing, Thrust	2
▲	15 32724	(001000-	) Housing, Pivot	1
▲	16 41081	(001000-	) Washer	1
▲	17 369701	(001000-	) Washer, Lock	1
▲	18 06845	(001000-	) Washer, Spacer	1
▲	19 15331	(001000-	) Washer	1
▲	20 08099	(001000-	) Screw, Hex	1
	21 75296	(001000-	) Pin, Articulating Locking	1
	22 76540	(001000-	) Shim	1
	44961	(001000-	) Tie, Cable	2
	23 39912	(001000-	) Screw, Hex	2
	24 56820	(001000-	) Fitting, Elbow	2
	25 76915	(001000-	) Washer	1
	26 04431	(001000-	) Cylinder, Hydraulic (See Breakdowns)	1
	27 39347	(001000-	) Washer, Flat	2
	28 02464	(001000-	) Nut, Nylon	2
	29 06418	(001000-	) Fitting, Grease	1
	30 42120-4	(001000-	) Bearing, Self-Aligning	1
	31 1010537	(001508-	) Flap, Wand, Vacuum (Gas/LPG Only)	1
	19659	(001000-	) Sleeve, Nylon	1
	32 14432	(001508-	) Clamp, Hose, Wormdrive, 1.81-2.75d, .56w (Gas/LPG Only)	1

**Fig. 89 - Solution Pumps Group**

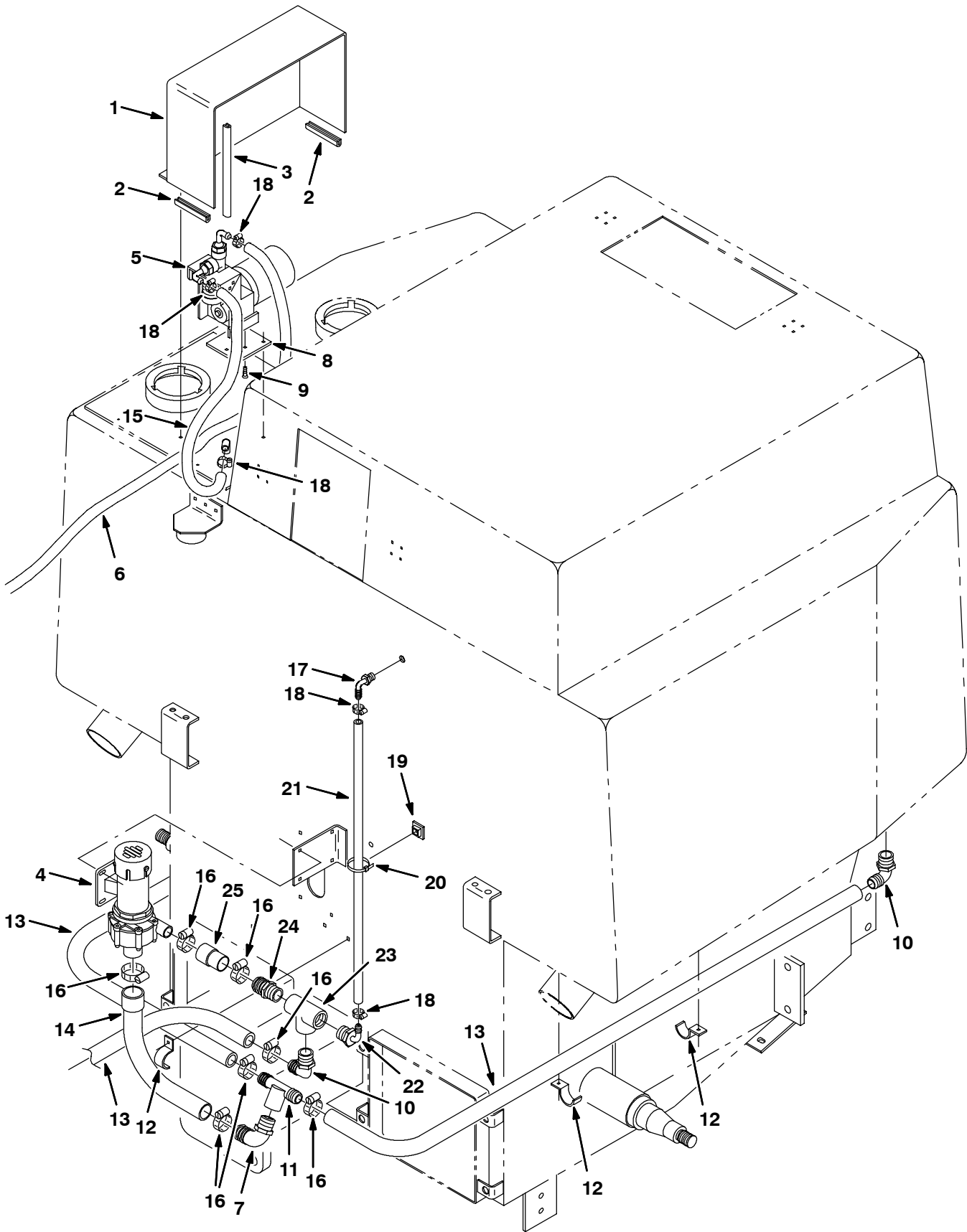


Fig. 89 - Solution Pumps Group

Ref.	Part No.	Serial Number	Description	Qty.
1	03393	(001000-	) Cover, Pump	1
2	62595-18	(001000-	) Molding, Rigid	2
3	62595-6	(001000-	) Molding, Rigid	1
4	33327	(001000-	) Pump, Solution (See Breakdowns)	1
5	16485	(001000-	) Pump, Metering (See Breakdowns)	1
6	61254	(001000-	) Hose, Vinyl	1
7	18595	(001000-	) Fitting, Elbow	1
8	02597	(001000-	) Plate, Pump Mounting	1
9	03391	(001000-	) Screw, Flat	3
10	14877	(001000-	) Fitting, Elbow	3
11	76075	(001000-	) Fitting, Plstc, Tee, Bm12/Pf12/Bm12	1
12	44031	(001000-	) Clamp	9
13	47846	(001000-	) Hose, Rubber	2
14	57378	(001000-	) Hose, Pump Inlet	1
15	79580	(001000-	) Hose, Vinyl	1
16	11399	(001000-	) Clamp, Worm Drive	9
17	03401	(001000-	) Fitting, Elbow	1
18	54333	(001000-	) Clamp, Worm Drive	5
19	55248	(001000-	) Mount, Cable Tie	12
20	49263	(001000-	) Tie, Cable	14
21	68301	(001000-	) Hose, Vinyl	1
22	79484	(001000-	) Fitting, Elbow	1
23	42133A	(001000-	) Fitting, Tee	1
24	57379	(001000-	) Fitting, Straight	1
25	57377	(001000-	) Hose, Pump Outlet	1

Fig. 90 - Solution and Recovery Tank Group, Front Side

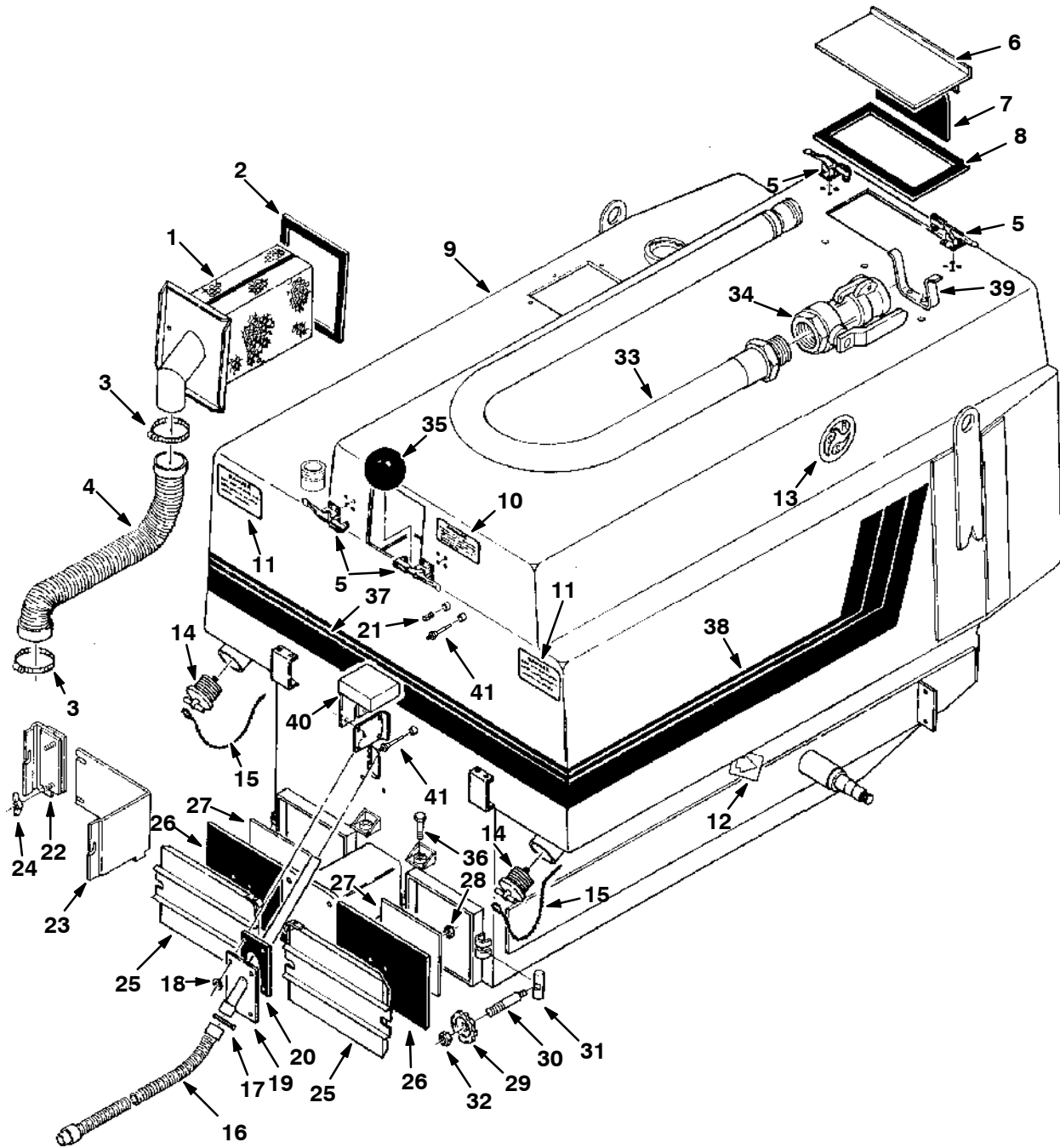


Fig. 90 - Solution and Recovery Tank Group, Front Side

Ref.	Part No.	Serial Number	Description	Qty.
1	79558	(001000-	) Screen, Debris	1
2	79557	(001000-	) Gasket, Screen	1
3	23498	(001000-	) Clamp, Vacuum Hose	2
4	25360	(001000-	) Hose, Vacuum	1
5	03823	(001000-	) Clamp, Toggle	4
6	76403	(001000-	) Cover, Sandblast	1
7	79500	(001000-	) Sheet, Cover	1
8	76395	(001000-	) Gasket, Cover	1
9	60981	(001000-	) Tank, Recovery	1
10	40052	(001000-	) Decal, Fan Suction	1
11	57630	(001000-	) Decal, Danger, Keep Out	2
12	76157	(001000-	) Decal, Jack Only On Pad	2
	09905	(001000-	) Decal, TENNANT Logo	2
13	79475	(001000-	) Decal, SRS	2
14	398205	(001000-	) Plug, Expandable, 1.5D	2
15	79567	(001000-	) Chain, Drain Plug	2
	43363	(001000-	) Hook	2
16	75635	(001000-	) Hose Assy, W/1cuff, 1.5d 120l 1.5/	1
17	11531	(001000-	) Clamp, Pickup Hose	1
18	76426	(001000-	) Washer, Seal	4
19	61157	(001000-	) Tube, Front Suction	1
20	76532	(001000-	) Gasket, Front Suction Tube	1
21	63511	(001000-	) Plug, Sensor Hole	1
22	61276	(001000-	) Dam, Sand, L.H.	1
23	61249	(001000-	) Dam, Sand, R.H.	1
24	31703	(001000-	) Nut, Wing	2
25	61176	(001000-	) Door	2
26	61174	(001000-	) Gasket, Door	2
27	61175	(001000-	) Plate, Door	2
28	41169	(001000-	) Nut, Stainless Steel	4
29	82958	(001000-	) Knob, Door Latch	4
30	61171	(001000-	) Stud, Door Latch	4
31	61170	(001000-	) Rod, Door Latch	4
32	36644	(001000-	) Nut, Locking	4
33	61268	(001000-	) Hose, Suction Drain	1
34	61265	(001000-	) Coupling, Suction Hose	1
35	03706	(001000-	) Ball, Float	1
36	61181	(001000-	) Pivot, Upper Door Hinge	2
37	75810	(001000-	) Label, Stripe, Front	2
38	75816	(001000-	) Label, Stripe, L.H.	1
	75815	(001000-	) Label, Stripe, R.H. (not shown)	1
39	61257	(001000-	) Retainer, Hose	4
40	61628	(001000-	) Cover, Pump	1
41	76089-2	(001000-	) Probe, Liquid Level	2

Fig. 91 - Solution and Recovery Tank Group, Rear Side

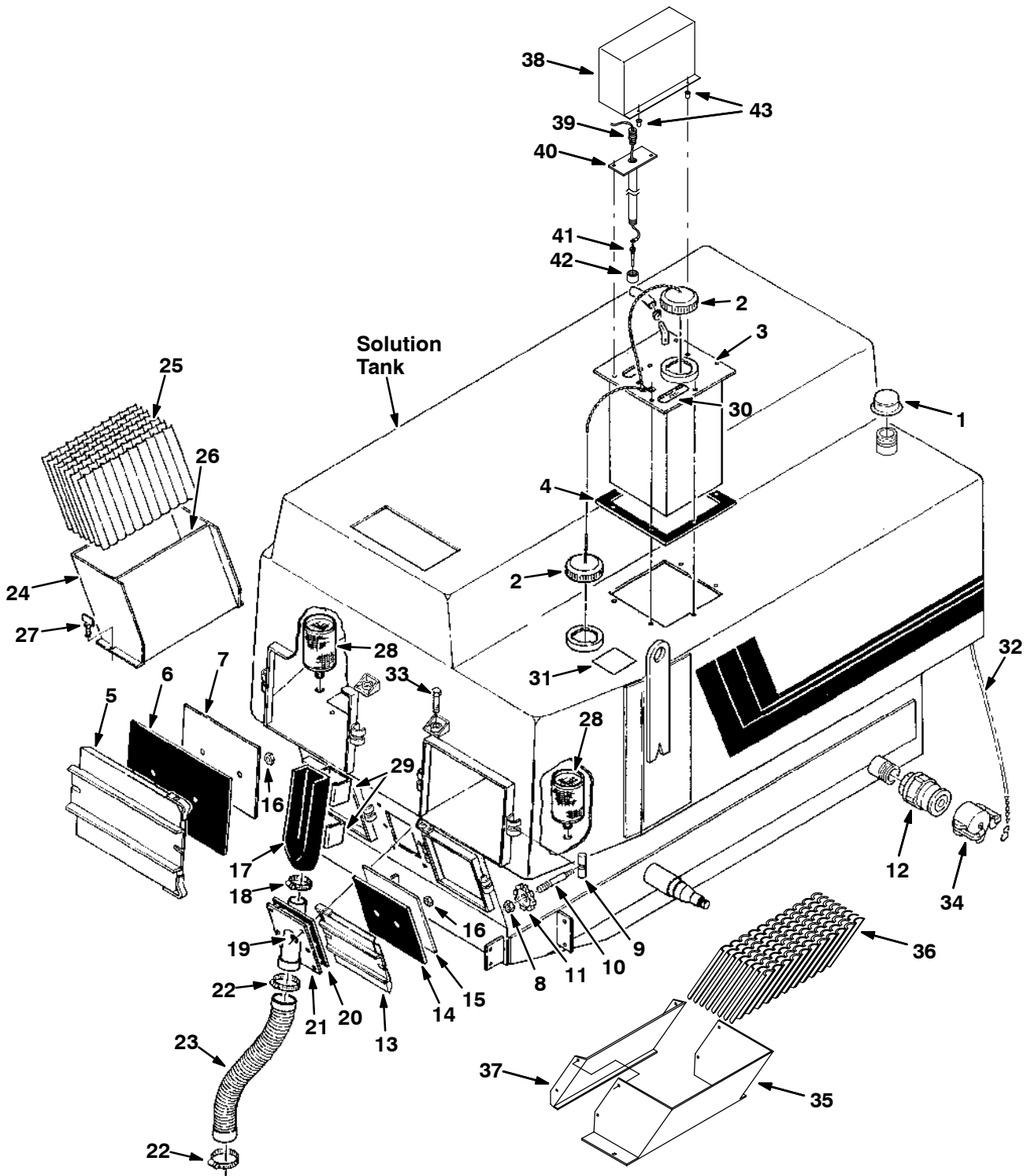
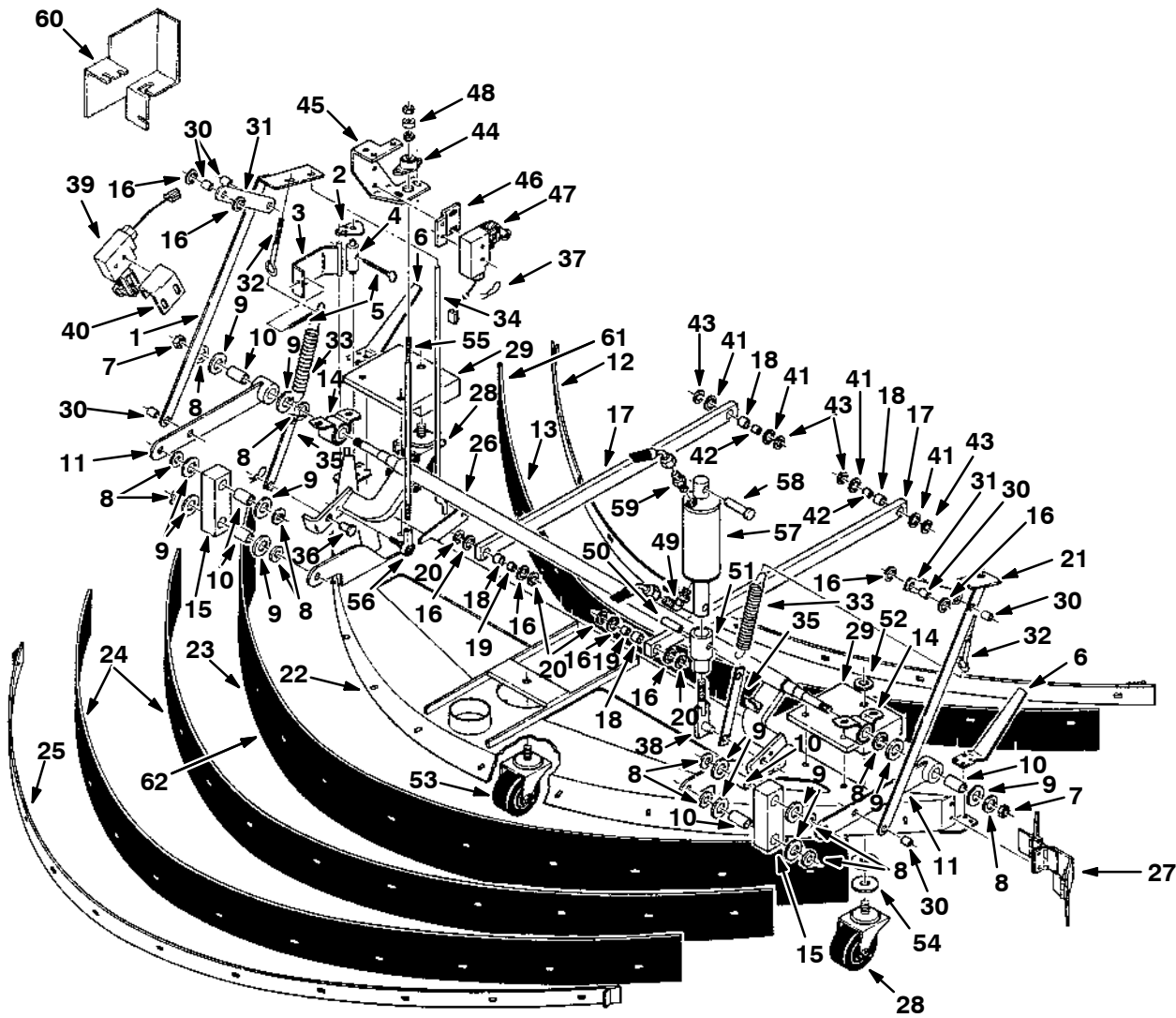




Fig. 91 - Solution and Recovery Tank Group, Rear Side

Ref.	Part No.	Serial Number	Description	Qty.	
1	61271	(001000-	) Cap	1	
2	375724	(001000-	) Cap, Filler	2	
3	03404	(001000-	) Tank, Detergent	1	
4	79367	(001000-	) Gasket, Tank	1	
5	61189	(001000-	) Door, Upper	2	
6	61187	(001000-	) Gasket, Upper Door	2	
7	61188	(001000-	) Plate, Upper Door	2	
8	36644	(001000-	) Nut, Locking	8	
9	61170	(001000-	) Rod, Latch	8	
10	61171	(001000-	) Stud, Latch	8	
11	82958	(001000-	) Knob	8	
12	61262	(001000-	) Adapter	1	
13	61245	(001000-	) Door, Lower	2	
14	61174	(001000-	) Gasket, Lower Door	2	
15	61175	(001000-	) Plate, Lower Door	2	
16	41169	(001000-	) Nut, Locking	8	
17	79500	(001000-	) Deflector, Spray	1	
18	23498	(001000-	) Clamp, Deflector	1	
19	76426	(001000-	) Washer, Rubber	6	
20	79545	(001000-	) Seal, Suction Tube	1	
21	61160	(001000-	) Tube, Real Squeegee Suction	1	
22	43555	(001000-	) Clamp, Suction Tube	2	
23	25649	(001000-	) Hose, Squeegee Suction	1	
▽	79477	(001000-	) Filter Assembly, Laminar Flow, L.H.	1	
▲	24	79473-1	(001000-	) Housing, Filter, L.H.	1
▲	25	64685	(001000-	) Filter, Laminar Flow	2
▲	26	79474	(001000-	) Panel, Laminar Flow Housing	2
	27	79464	(001000-	) Thumbscrew, Filter Hold-Down	2
	28	79424	(001000-	) Filter, Solution Outlet	2
	29	79570	(001000-	) Frame, Spray Deflector	2
30	79488	(001000-	) Decal, SRS Cleaning Solution	1	
31	79478	(001000-	) Decal, Fill Tank	1	
32	61648	(001000-	) Chain Assembly	1	
33	61181	(001000-	) Pivot, Door Hinge	4	
34	61647	(001000-	) Cap, Adapter	1	
▽	79476	(001000-	) Filter Assembly, Laminar Flow, R.H.	1	
▲	35	79472-1	(001000-	) Housing, Filter, R.H.	1
▲	36	64685	(001000-	) Filter, Laminar Flow	2
▲	37	79474	(001000-	) Panel, Laminar Flow Housing	2
38	03393	(001000-	) Cover, Liquid Level Probe	1	
39	79553	(001000-	) Connector	1	
40	79452	(001000-	) Housing, Probe	1	
41	76089-2	(001000-	) Probe, Liquid Level	3	
42	79451	(001000-	) Fitting, Cap	1	
43	42082	(001000-	) Rivnut	2	

**Fig. 92 - Rear Squeegee Assembly**



09874 - 1550

Ref.	Part No.	Serial Number	Description	Qty.
▽	32415	(001000-	) Rear Squeegee Assembly	1
▲	1 78096	(001000-	) Arm, L.H.	1
▲	2 76922-1	(001000-	) Plate, Pivot	1
▲	3 76921	(001000-	) Adjuster, Rear	1
▲	4 76927	(001000-	) Pivot, Adjuster	1
▲	5 78641	(001000-	) Screw, Thumb	2
▲	6 59639A	(001000-	) Guide, Spring	2
▲	7 32985	(001000-	) Nut	2
▲	8 32493	(001000-	) Washer, Flat	12
▲	9 76979	(001000-	) Washer, Thrust	12
▲	10 76392	(001000-	) Sleeve, Bearing	6
▲▽	11 76984-1	(001000-	) Arm Assembly	2
▲▲	76978	(001000-	) Bearing, Fiberglide	1
▲	12 76896	(001000-	) Band, Front, Squeegee	1
▲	13 60018	(001000-	) Blade, Front, Squeegee	1
▲	14 16928	(001000-	) Bearing, Pillow Block	2
▲▽	15 76974-1	(001000-	) Arm Assembly, Vertical Block	2
▲▲	76978	(001000-	) Bearing, Fiberglide	1

Fig. 92 - Rear Squeegee Assembly

Ref.	Part No.	Serial Number	Description	Qty.
▲	16	59633	(001000- ) Bearing, Thrust, 0.53b 1.00d 0.03w	8
▲▽	17	33510	(001000- ) Link, Rear Drag	2
▲▲	18	59634	(001000- ) Sleeve, Bearing	2
▲	19	59632	(001000- ) Sleeve	2
▲	20	01686	(001000- ) Washer	4
▲	21	76988	(001000- ) Arm, R.H.	1
▲	22	10150	(001000- ) Frame, Rear	1
▲	23	60016	(001000- ) Blade, Rear, Squeegee	1
▲	24	76937	(001000- ) Strip, Rear, Backup	2
▲	25	76946	(001000- ) Band, Rear, Squeegee	1
▲	26	33749	(001000- ) Shaft, Squeegee Lift	1
▲	27	78642	(001000- ) Clamp, Squeegee Band	1
▲	28	370133	(001000- ) Caster	2
▲	29	10149	(001000- ) Mount, Caster	2
▲	30	76390	(001000- ) Sleeve	6
▲	31	76391	(001000- ) Link	2
	32	76353	(001000- ) Bolt, Eye	2
	33	47745	(001000- ) Spring	2
	34	78093	(001000- ) Rod	1
		20021	(001000- ) Pin, Roll	1
	35	78695	(001000- ) Strip, Spring	2
	36	51530	(001000- ) Pin, Clevis	1
	37	08175	(001000- ) Pin, Cotter	4
	38	48884	(001000- ) Adaptor, Cylinder	1
	39	76340	(001000- ) Switch, Roller	1
	40	76269	(001000- ) Bracket, Switch Mounting	1
	41	59633	(001000- ) Washer, Fiberglide	4
	42	59632	(001000- ) Sleeve	2
	43	32492	(001000- ) Washer	4
	44	33743	(001000- ) Bearing, Flange	1
	45	33744	(001000- ) Bracket, Mounting	1
	46	33745	(001000- ) Bracket, Switch	1
	47	33748	(001000- ) Switch	1
	48	33747	(001000- ) Barrel, Trip	1
	49	77097	(001000- ) Fitting, Elbow	1
	50	54041	(001000- ) Pin, Roll	1
	51	09626	(001000- ) Adapter, Cylinder Rod	1
	52	36328	(001000- ) Washer, Belleville	3
	53	370133	(001000- ) Caster	1
	54	51564	(001000- ) Washer	5
	55	33746	(001000- ) Rod, Trip	1
	56	36466	(001000- ) Ball Joint	1
	57	1028058	(001000- ) Cylinder, Hyd, 2.0b 08.0l 04.00strk 2500	1
	58	51534	(001000- ) Pin, Clevis	1
	59	55586	(001000- ) Fitting, Straight	1
	60	65946	(001000- xxxxxx ) Cover, Switch	1
	61	78560	(001000- ) Blade, Front Squeegee, Urethane	1
	62	78561	(001000- ) Blade, Rear, Squeegee, Urethane	1

Fig. 93 - Label Group

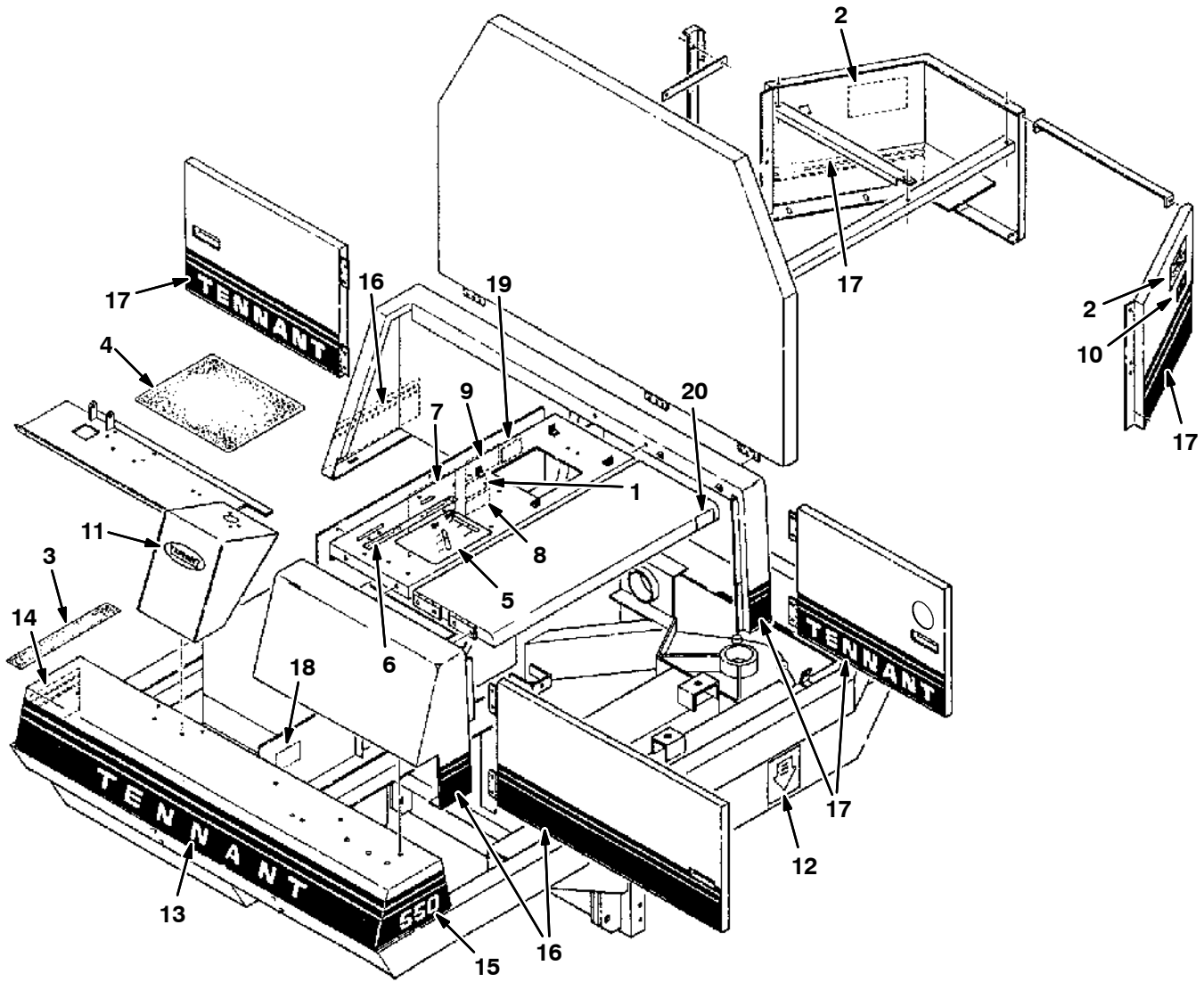


Fig. 93 - Label Group

Ref.	Part No.	Serial Number	Description	Qty.
1	37089	(001508-	) Label, [Caution], [Travel Slowly]	1
2	57630	(001508-	) Label, Warning, Danger, Pinch Point	2
3	75430	(001508-	) Tread, Non-Skid, 02.2w 15.5l	1
4	69571	(001508-	) Tread, Non-Skid, 12.0w 14.5l	1
5	76354	(001508-	) Label, Opertnl, Instmt Panel, [550]	1
6	76113	(001508-	) Label, Control, Throttle	1
7	76156	(001508-	) Label, Maint, [ 550]	1
8	61650	(001508-	) Label, Info, [Tire Pressure]	1
9	48242	(001508-	) Label, Info, Alternator Equipped	1
10	51368	(001508-	) Label, Maint, [Radiator Fins]	1
11	27474	(001508-	) Label, Logo, Tennant, Oval, 114l, Blk	1
12	76158	(001508-	) Label, Info, Jack Point, Tractor	2
13	75812	(001508-	) Label, Stripe, [Tennant],[550]	1
14	75813	(001508-	) Label, Stripe, Wing, Rh,[1550]	1
15	75814	(001508-	) Label, Stripe, Wing, Lh,[1550]	1
16	75810	(001508-	) Label, Stripe, 36.00, [550]	2
17	75811	(001508-	) Label, Stripe, [Tennant],[550]	2
18	1008894	(001508-	) Label, Patent, Power Scrubber	1
19	1020434	(001508-	) Label, Caution, [Apply Parking Brake]	1
20	392551	(001508-	) Label, [Warning], Heavy Lpg Tank (LP ONLY)	1



## SECTION 7

<b>Contents</b>	<b>Page</b>
Fig. 1 - Fuel Tank and Engine Group, LPG (001000-001423) .....	7-2
Fig. 2 - Engine Fuel Tank Group, LPG (001424-001505) .....	7-4
Fig. 3 - Engine Fuel Tank Group, LPG (001508- ) .....	7-6
Fig. 4 - Engine EFI and Vaporizer Group, LPG (001424-001505 version 1) .....	7-8
Fig. 5 - Engine EFI and Vaporizer Group, LPG (001424-001505 version 2) .....	7-10
Fig. 6 - Engine EFI and Vaporizer Group, LPG (001508-001537) .....	7-12
Fig. 7 - Engine EFI and Vaporizer Group, LPG (001538- ) .....	7-16
Fig. 8 - Engine Air Cleaner Group, LPG (001000-001402) .....	7-18
Fig. 9 - Engine Air Cleaner Group, LPG (001403-001423) .....	7-19
Fig. 10 - Engine Air Cleaner Group, LPG (001508- ) .....	7-20
Fig. 11 - Instrument Panel Group, LPG (001508- ) .....	7-22
Fig. 12 - Engine Cover Group, LPG (001000-001423) .....	7-24

Fig. 1 - Fuel Tank and Engine Group, LPG (001000-001423)

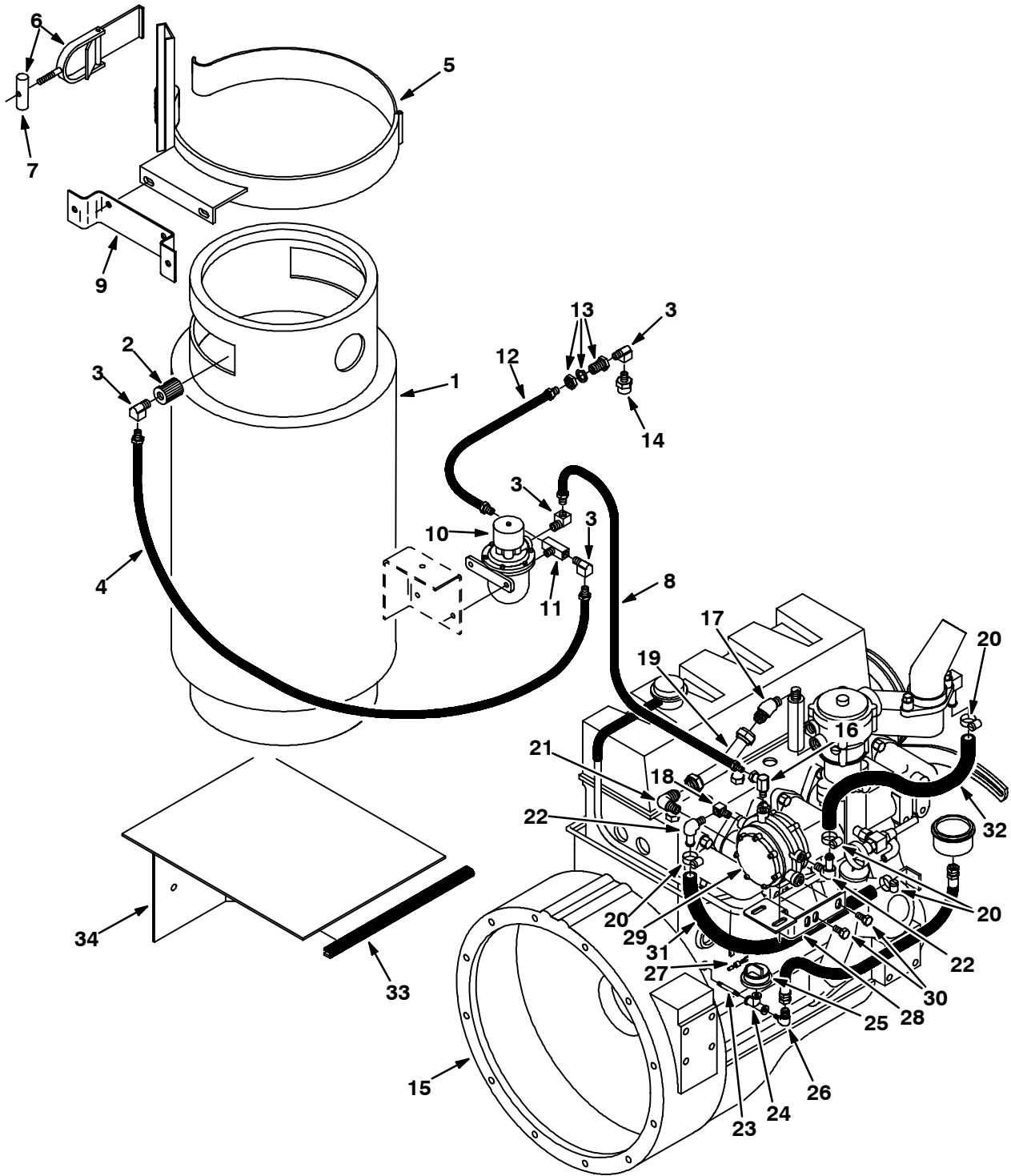




Fig. 1 - Fuel Tank and Engine Group, LPG (001000-001423)

Ref.	Part No.	Serial Number	Description	Qty.
1	24928-1	(001000-001423 )	Tank, LPG, with Filler Gauge	1
2	26496	(001000-001423 )	Coupling, LPG Tank	1
3	27048	(001000-001423 )	Fitting, Elbow	4
4	10754	(001000-001423 )	Hose, LPG	1
5	78092	(001000-001423 )	Bracket, LPG Tank	1
▽	6	53400-1	(001000-001423 ) Latch Assembly, LPG Tank	1
▲	7	53400-4	(001000-001423 ) Nut, Adjustable	1
	8	10756	(001000-001423 ) Hose, LPG	1
	9	78085	(001000-001423 ) Mount, Strap	1
▽	10	53395-2	(001000-001423 ) Fuel Filter Lock	1
▲		SK1444	(001000-001423 ) Repair Kit, Fuel Filter Lock	1
	11	53268	(001000-001423 ) Fitting, Tee	1
	12	22308-1	(001000-001423 ) Hose, LPG	1
	13	78122	(001000-001423 ) Fitting, Bulkhead	1
	14	24047	(001000-001423 ) Valve, Pressure Relief	1
	15	61695	(001000-001423 ) Engine, Lpg, TM27 (See Continental Engine Breakdown, Gasoline, LPG)	1
	16	11442-1	(001000-001423 ) Fitting, Elbow	1
	17	46485	(001000-001423 ) Fitting, Elbow, 45°	1
	18	24584	(001000-001423 ) Fitting, Elbow	1
	19	34880	(001000-001423 ) Tube, Hydraulic	1
	20	54333	(001000-001423 ) Clamp, Worm Drive	4
	21	46611	(001000-001423 ) Fitting, Elbow	1
	22	47388	(001000-001423 ) Fitting, Elbow	2
	23	48144	(001000-001423 ) Fitting, Nipple	1
	24	22309	(001000-001423 ) Fitting, Tee	1
	25	51805	(001000-001423 ) Switch, Oil Pressure	1
	26	06507	(001000-001423 ) Fitting, Elbow	1
	27	50565	(001000-001423 ) Diode Assembly, LPG	1
	28	34881	(001000-001423 ) Bracket, Mount	1
▽	29	374648	(001000-001423 ) Vaporizer, LPG	1
▲		374649	(001000-001423 ) Repair Kit, Vaporizer	1
▲		374532	(001000-001423 ) Hi Alt Vaporizer Spring	1
	30	16735	(001000-001423 ) Screw, Hex, M8	2
	31	47826	(001000-001423 ) Hose, Rubber	1
	32	54027	(001000-001423 ) Hose, Rubber	1
	33	62595-4	(001000-001423 ) Molding, Rigid	1
	34	78088	(001000-001423 ) Support, LPG Tank	1

Fig. 2 - Engine Fuel Tank Group, LPG (001424-001505)

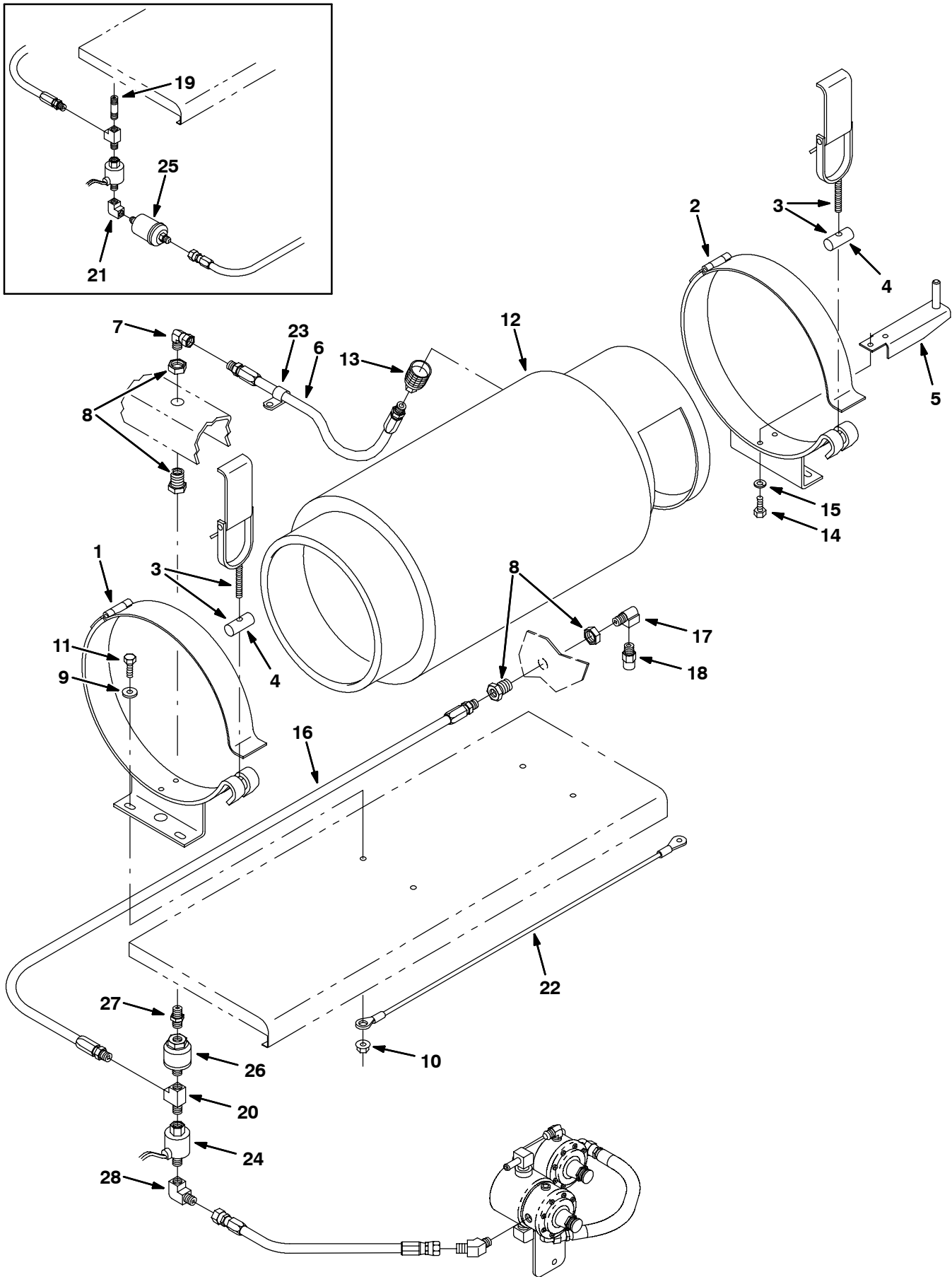


Fig. 2 - Engine Fuel Tank Group, LPG (001424-001505)

Ref.	Part No.	Serial Number	Description	Qty.
	1	53400-3	(001424-001505 ) Bracket, Tank	1
	2	53400-2	(001424-001505 ) Bracket, Tank	1
▽	3	53400-1	(001424-001505 ) Latch	2
▲	4	53400-4	(001424-001505 ) Nut	1
	5	53400-5	(001424-001505 ) Pin	1
	6	10756	(001424-001505 ) Hose, Lpg, Med06, Pm04str/Pm04str, 18.0l	1
	7	11442-1	(001424-001505 ) Fitting, Hyd, E90, Swivel Pf04/Pm04	1
	8	78122	(001424-001505 ) Fitting, Brs, Str, Pf04/Pf04 Bkhd	2
	9	32491	(001424-001505 ) Washer, Flt, .31 Std	4
	10	07791	(001424-001505 ) Nut, Hex, Flng, .M08 X 1.25	4
	11	39277	(001424-001505 ) Screw, Hex, .M08 X 1.25X 25, 5	4
	12	24928-1	(001424-001505 ) Tank, Lpg, 33lb, W/ Fill Gauge, [Liq]	1
	13	26496	(001424-001505 ) Fitting, Brs, Qdc, Pf04 Lpg Fem	1
	14	54394	(001424-001505 ) Screw, Hex, .31-18 X 0.50, 5	2
	15	32984	(001424-001505 ) Washer, Lock, Int, .31	2
	16	371583	(001424-001505 ) Hose, Hi Press, Lpg 34L	1
	17	27048	(001424-001505 ) Fitting, Elbow	1
	18	24047	(001424-001505 ) Valve, Pressure Relief	1
	19	392546	(001424- xxxxxx ) Fitting, Pipe, Str, Pm04/Pm04 02.0l,Blk	1
	20	24929	(001424-001505 ) Fitting, Brs, Tee, Pf0j/Pf04/Pm04	1
	21	54179	(001424- xxxxxx ) Fitting, Brs, E90, Pf04/Pf02	1
	22	392537	(001424-001505 ) Chain, Sash, #35, 22.2l 40 Link	1
	23	07471	(001424-001505 ) Clamp, Cable, Stl, 0.75d X 0.75w, 1h	1
	24	371676	(001424-001505 ) Solenoid, Lock Off, Lpg	1
	25	371671	(001424- xxxxxx ) Filter, Fuel, In-line, (Lpg)	1
	26	377337	( xxxxxx-001505 ) Filter, Fuel, In-line, (Lpg)	1
	27	398468	( xxxxxx-001505 ) Fitting, Brs, Str, Pm04/Pm04	1
	28	398473	( xxxxxx-001505 ) Fitting, Brs, E90, Pf04/Sm06	1

Fig. 3 - Engine Fuel Tank Group, LPG (001508- )

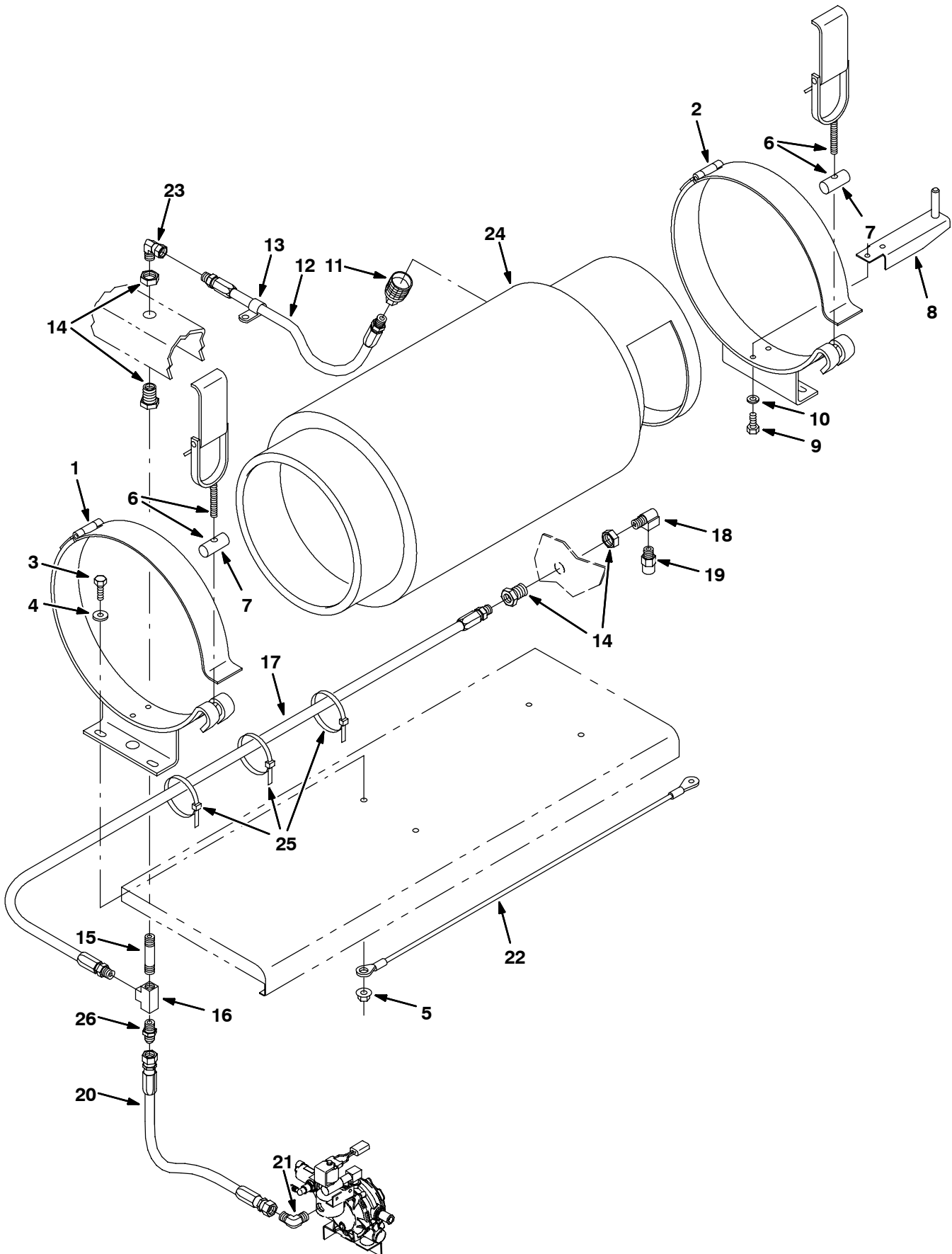
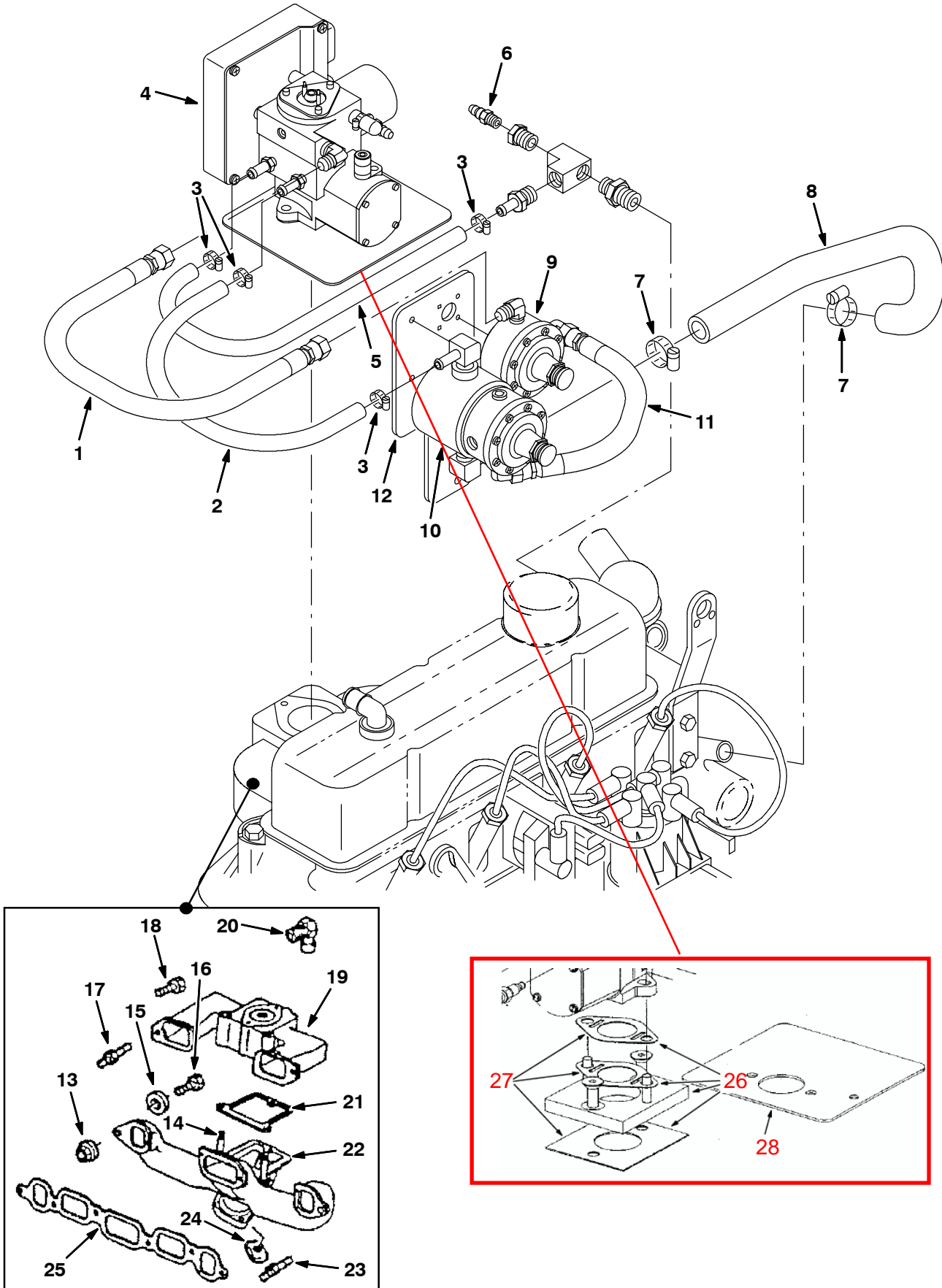


Fig. 3 - Engine Fuel Tank Group, LPG (001508- )

Ref.	Part No.	Serial Number	Description	Qty.	
1	53400-3	(001508-	) Bracket Wldt, Mtg, Tank, Lpg	1	
2	53400-2	(001508-	) Bracket, Tank	1	
3	76955	(001508-	) Screw, Hex, .31-18 X 1.00, 5	4	
4	32491	(001508-	) Washer, Flat, 0.31 Std	4	
5	27979	(001508-	) Nut, Hex, Flng, .31-18	4	
▽	6	53400-1	(001508-	) Latch Assy, Mtg, Tank, Lpg, W/Nut	2
▲	7	53400-4	(001508-	) Nut, Adj, Mtg, Tank, Lpg	1
	8	53400-5	(001508-	) Pin	1
	9	54394	(001508-	) Screw, Hex, .31-18 X 0.50, 5	2
	10	32984	(001508-	) Washer, Lock, Int, .31	2
	11	26496	(001508-	) Fitting, Brs, Qdc, Pf04 Lpg Fem	1
	12	10756	(001508-	) Hose, Lpg, Med06, Pm04str/Pm04str, 18.0l	1
	13	07471	(001508-	) Clamp, Cable, Stl, 0.75d X 0.75w, 1h	1
	14	78122	(001508-	) Fitting, Brs, Str, Pf04/Pf04, Bkhd	2
	15	392546	(001508-	) Fitting, Pipe, Str, Pm04/Pm04 02.5l,Blk	1
	16	398474	(001508-	) Fitting, Brs, Tee, Pf04/Pf04/Pf04	1
	17	360936	(001508-	) Hose, Lpg, Med05, Pm04str/Sm04str, 54.0l	1
	18	27048	(001508-	) Fitting, Brs, E90, Pm04/Pf04	1
	19	24047	(001508-	) Valve, Lpg, Press Relief, [Rego]	1
	20	56875	(001508-	) Hose, Lpg, Med06, Jf06str/Jf06str, 20.0l	1
	21	52424	(001508-	) Fitting, Hyd, E90, Jm06/Pm04	1
	22	222227	(001508-	) Cable, .13d, 26.7l, .50eye /.25eye	1
	23	11442-1	(001508-	) Fitting, Hyd, E90, Spcl	1
	24	24928-1	(001508-	) Tank, Lpg, 33lb, W/ Gauge [Empty] [Liq]	1
	25	44961	(001508-	) Tie, Cable, Nyl, 14.5l .30w 4.0 Max D	3
	26	15724	(001508-	) Fitting, Hyd, Str, Jm06/Pm04	1

Fig. 4 - Engine EFI and Vaporizer Group, LPG (001424-001505 version 1)

NOTE: Repair parts in this serial number range are identified in Fig. 4 or Fig. 5.



**Fig. 4 - Engine EFI and Vaporizer Group, LPG (001424-001505 version 1)***NOTE: Repair parts in this serial number range are identified in Fig. 4 or Fig. 5.*

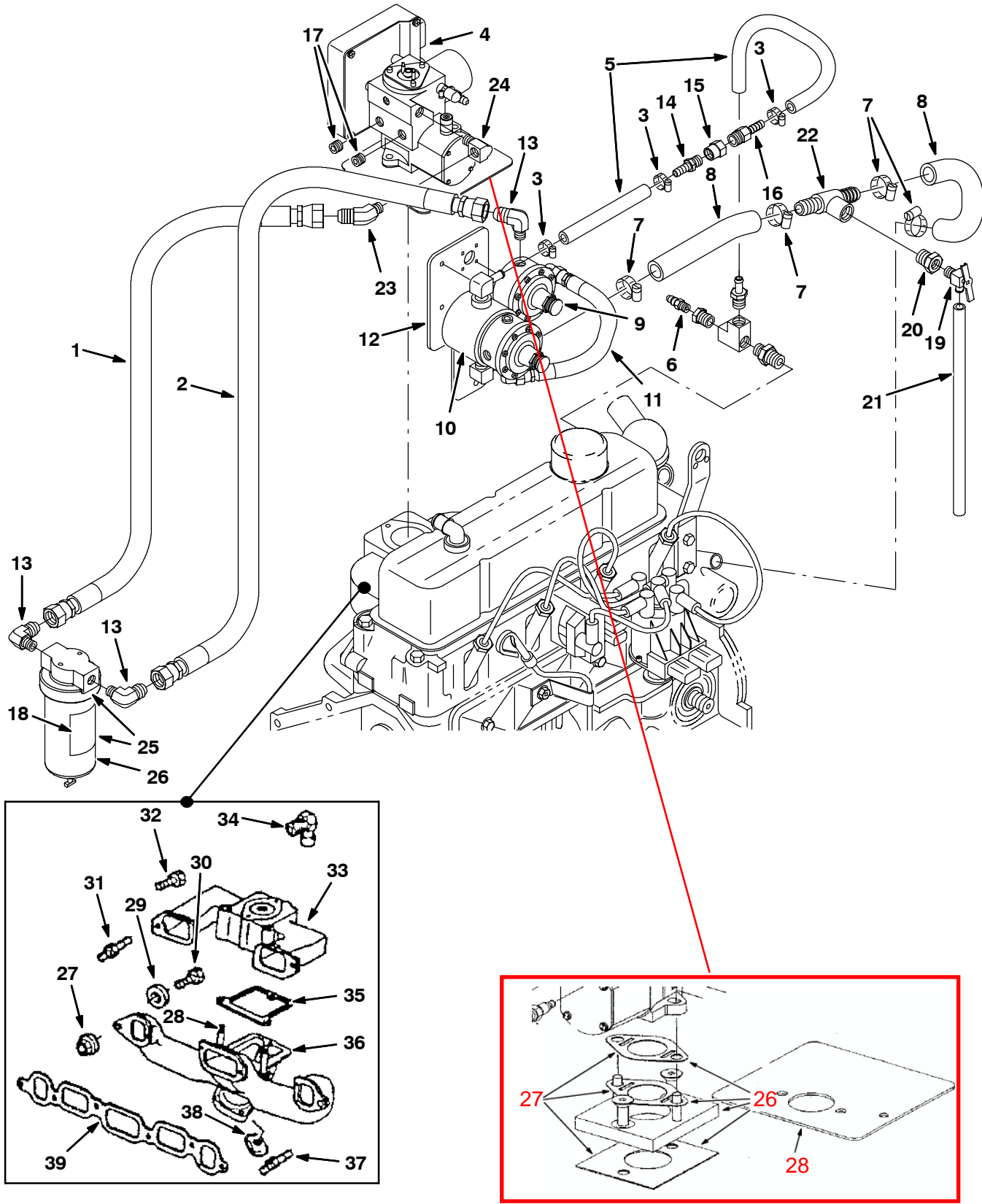
Ref.	Part No.	Serial Number	Description	Qty.
1	393981	(001424-001505 )	Hose, Hi Press, Lp	1
2	375132	(001424-001505 )	Hose, Heater, .38id 18L	1
3	371538	(001424-001505 )	Clamp, Hose, Wormdrive	4
4	371663	(001424-001505 )	Housing Assy, Throttle, Lpg, [With Ecu] (See Breakdowns)	1
5	371532	(001424-001505 )	Hose, Heater, .38id 21L	1
6	371764	(001424-001505 )	Sensor, Temp, Water	1
7	11399	(001424-001505 )	Clamp, Hose, Wormdrive, 0.81-1.50d, .50w	2
8	393972	(001424-001505 )	Hose, Water	1
9	371673	(001424-001505 )	Regulator Assy, Secondary, W/ Ftg, Lpg	1
10	371674	(001424-001505 )	Regulator Assy, Primary, W/ Ftg, Lpg	1
11	371675	(001424-001505 )	Hose Assy, Primary To Secondary, Lpg	1
12	371677	(001424-001505 )	Bracket, Mtg	1
13	393905	(001424-001505 )	Nut	8
14	393906	(001424-001505 )	Stud	2
15	393907	(001424-001505 )	Washer	-
16	393898	(001424-001505 )	Bolt	3
17	393908	(001424-001505 )	Stud	1
18	393909	(001424-001505 )	Bolt	-
19	393910	(001424-001505 )	Manifold, Intake	1
20	393911	(001424-001505 )	Fitting	1
21	393912	(001424-001505 )	Gasket	1
22	393913	(001424-001505 )	Manifold, Exhaust	1
23	393914	(001424-001505 )	Stud	2
24	393915	(001424-001505 )	Clamp	4
25	393916	(001424-001505 )	Gasket	1

these parts are NOT included in #4;

- 26 371646 Kit, Adaptor
- 27 371647 Kit, Gasket (part of #26)
- 28 371658 Shield, Heat

Fig. 5 - Engine EFI and Vaporizer Group, LPG (001424-001505 version 2)

NOTE: Repair parts in this serial number range are identified in Fig. 4 or Fig. 5.





**Fig. 5 - Engine EFI and Vaporizer Group, LPG (001424-001505 version 2)***NOTE: Repair parts in this serial number range are identified in Fig. 4 or Fig. 5.*

Ref.	Part No.	Serial Number	Description	Qty.	
1	1017476	(001424-001505 )	Hose, Lpg, Med08, Jf08str/Jf08str , 35.0	1	
2	1017819	(001424-001505 )	Hose, Lpg, Med08, Jf08str/Jf08str , 41.0	1	
3	371538	(001424-001505 )	Clamp, Hose, Wormdrive	3	
4	371663	(001424-001505 )	Housing Assy, Throttle, Lpg, (See Breakdowns)	1	
5	371532	(001424-001505 )	Hose, Heater, .38id 21L	1	
6	371764	(001424-001505 )	Sensor, Temp, Water	1	
7	11399	(001424-001505 )	Clamp, Hose, Wormdrive, 0.81-1.50d, .50w	4	
8	393972	(001424-001505 )	Hose, Water	1	
9	371673	(001424-001505 )	Regulator Assy, Secondary, W/ Ftg, Lpg	1	
10	371674	(001424-001505 )	Regulator Assy, Primary, W/ Ftg, Lpg	1	
11	371675	(001424-001505 )	Hose Assy, Primary To Secondary, Lpg	1	
12	371677	(001424-001505 )	Bracket, Mtg	1	
13	1017272	(001424-001505 )	Fitting, Hyd, E90, Jm08/Pm04	3	
14	150516	(001424-001505 )	Fitting, Brs, Str, Pm04/Bm06, T	1	
15	1017239	(001424-001505 )	Fitting, Brs, Rst, Pf04/.69-16f, .063	1	
16	1017598	(001424-001505 )	Fitting, Plstc, Str, Bm06/M.69-16	1	
17	02247	(001424-001505 )	Fitting, Pipe, Plug, Pm04 Hex Soc	2	
18	1017662	(001424-001505 )	Label, Instr, Filter Drain	1	
19	51305	(001424-001505 )	Fitting, Draincock, .25npt 90	1	
20	311828	(001424-001505 )	Fitting, Brs, Str, Pm08/Pf04	1	
21	392258	(001424-001505 )	Hose, Pvc, Clr, 0.38id 0.56od 13.00l	1	
22	64740	(001424-001505 )	Fitting, Plstc, Tee, Bm12/Pf08/Bm12	1	
23	1017432	(001424-001505 )	Fitting, Hyd, E45, Jm04/Pm08	1	
24	27048	(001424-001505 )	Fitting, Brs, E90, Pm04/Pf04	1	
▽	25	1017500	(001424-001505 )	Filter, Fuel, Lpg [Coalescent]	1
▲	26	372937	(001424-001505 )	Element, Fitr, Fuel Lpg [Coalescent]	1
	27	393905	(001424-001505 )	Nut	8
	28	393906	(001424-001505 )	Stud	2
	29	393907	(001424-001505 )	Washer	-
	30	393898	(001424-001505 )	Bolt	3
	31	393908	(001424-001505 )	Stud	1
	32	393909	(001424-001505 )	Bolt	-
	33	393910	(001424-001505 )	Manifold, Intake	1
	34	393911	(001424-001505 )	Fitting	1
	35	393912	(001424-001505 )	Gasket	1
	36	393913	(001424-001505 )	Manifold, Exhaust	1
	37	393914	(001424-001505 )	Stud	2
	38	393915	(001424-001505 )	Clamp	4
	39	393916	(001424-001505 )	Gasket	1

these parts are NOT included in #4;

- 40 371646 Kit, Adaptor
- 41 371647 Kit, Gasket (part of #40)
- 42 371658 Shield, Heat

Fig. 6 - Engine EFI and Vaporizer Group, LPG (001508-001537)

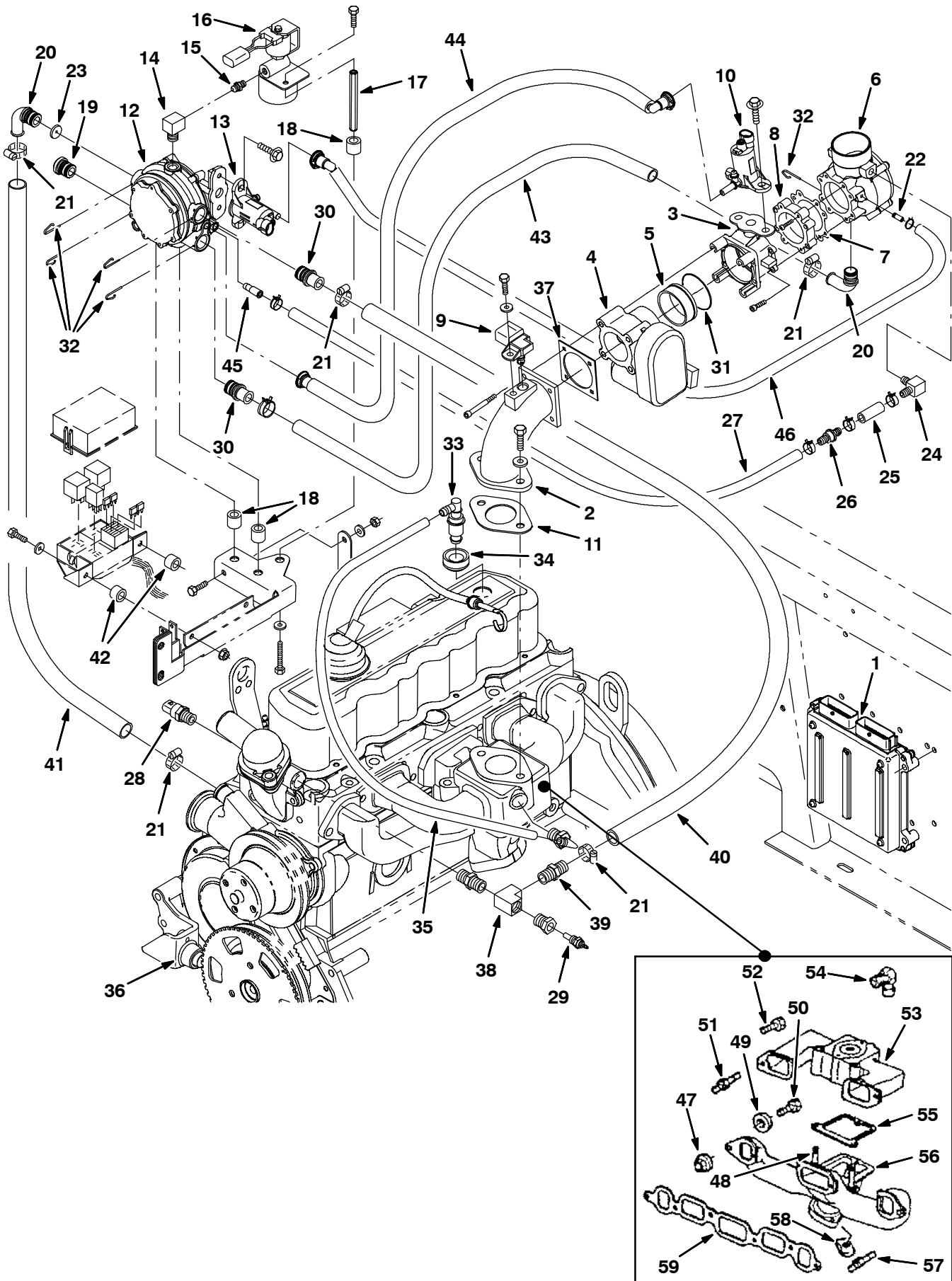


Fig. 6 - Engine EFI and Vaporizer Group, LPG (001508-001537)

Ref.	Part No.	Serial Number	Description	Qty.
	1	372859	(001508-001537 ) Module, Ecu, Lpg [GM 3.0]	1
	2	372495	(001508-001537 ) Adaptor, Intake, Lpg [3.0]	1
	3	372496	(001508-001537 ) Adaptor, Valve, Fuel Trim	1
372482	4	<del>372497</del>	(001508-001537 ) Valve, Body, Throttle, Lpg	1
	5	372498	(001508-001537 ) Sleeve, Throttle [Bosch], Plstc	1
	6	372899	(001508-001537 ) Housing Assy, Throttle, Lpg [GM 3.0]	1
	7	372608	(001508-001537 ) Gasket	1
	8	372612	(001508-001537 ) Adapter, Throttle Body	1
	9	372493	(001508-001537 ) Sensor, [Tmap]	1
372497	10	<del>372501</del>	(001508-001537 ) Valve, Trim, Fuel, Normal Flow	1
	11	372490	(001508-001537 ) Gasket, Carb	1
	12	372500	(001508-001537 ) Converter, Lpg	1
372501	13	<del>372581</del>	(001508-001537 ) Valve, Trim, Fuel, Normal Flow, E90	1
	14	372611	(001508-001537 ) Fitting, Str, E90, .25npt	1
	15	372610	(001508-001537 ) Fitting, Nipple, .25npt, Brs	1
▽	16	372503	(001508-001537 ) Valve, Fuellock, Lpg, W/Wire Connector	1
▲		372615	(001508-001537 ) Filter Kit, Lpg Lockoff	1
	17	372577	(001508-001537 ) Spacer, Sppt, Filter Lock Off	1
	18	372518	(001508-001537 ) Isolator Kit, Mtg, Vaporizer, Rbr	3
	19	372515	(001508-001537 ) Fitting, Cap	1
	20	372512	(001508-001537 ) Fitting, E70	2
	21	63810	(001508-001537 ) Clamp, Hose, Wormdrive, 0.56-1.06d	5
	22	372511	(001508-001537 ) Fitting, Hose, Vacuum, .25	1
	23	372517	(001508-001537 ) Restrictor, Jet, Coolant	1
	24	372510	(001508-001537 ) Fitting, E90	1
	25	372507	(001508-001537 ) Hose, Balancing, Press, 45mm	1
	26	372569	(001508-001537 ) Valve, Check	1
	27	372506	(001508-001537 ) Hose, Balancing, Press, 680mm	1
	28	372891	(001508-001537 ) Sensor, Temp, Coolant	1
	29	372472	(001508-001537 ) Sensor, Temp	1
	30	372514	(001508-001537 ) Fitting, Str	2
	31	372484	(001508-001537 ) Seal, Org	1
	32	372523	(001508-001537 ) Pin, Retainer	5
	33	372483	(001508-001537 ) Valve, [Pcv]	1
	34	393984	(001508-001537 ) Grommet	1
	35	372489	(001508-001537 ) Hose, 9.5mm X 450mm [Pcv]	1
	36	372492	(001508-001537 ) Sensor, Speed, Timing Wheel [3.0]	1
	37	372545	(001508-001537 ) Gasket, Body, Throttle [1.6]	1
	38	372527	(001508-001537 ) Fitting, Pipe, Tee, Pm06/Pf06/Pf06	1
	39	372526	(001508-001537 ) Fitting, Hose, 10hose/Pm06	1
	40	372531	(001508-001537 ) Hose, Mold, .62 X 37.0	1
	41	372528	(001508-001537 ) Hose, Mold, .62 To .75	1
	42	372470	(001508-001537 ) Isolator, Box, Relay	1
	43	372508	(001508-001537 ) Hose, Fuel, 165mm	1
	44	372504	(001508-001537 ) Hose, Valve, Fuel Trim, 325mm	1
	45	372516	(001508-001537 ) Fitting, Brs, Adaptor	1
	46	372505	(001508-001537 ) Hose, Valve, Press Trim, 405mm	1

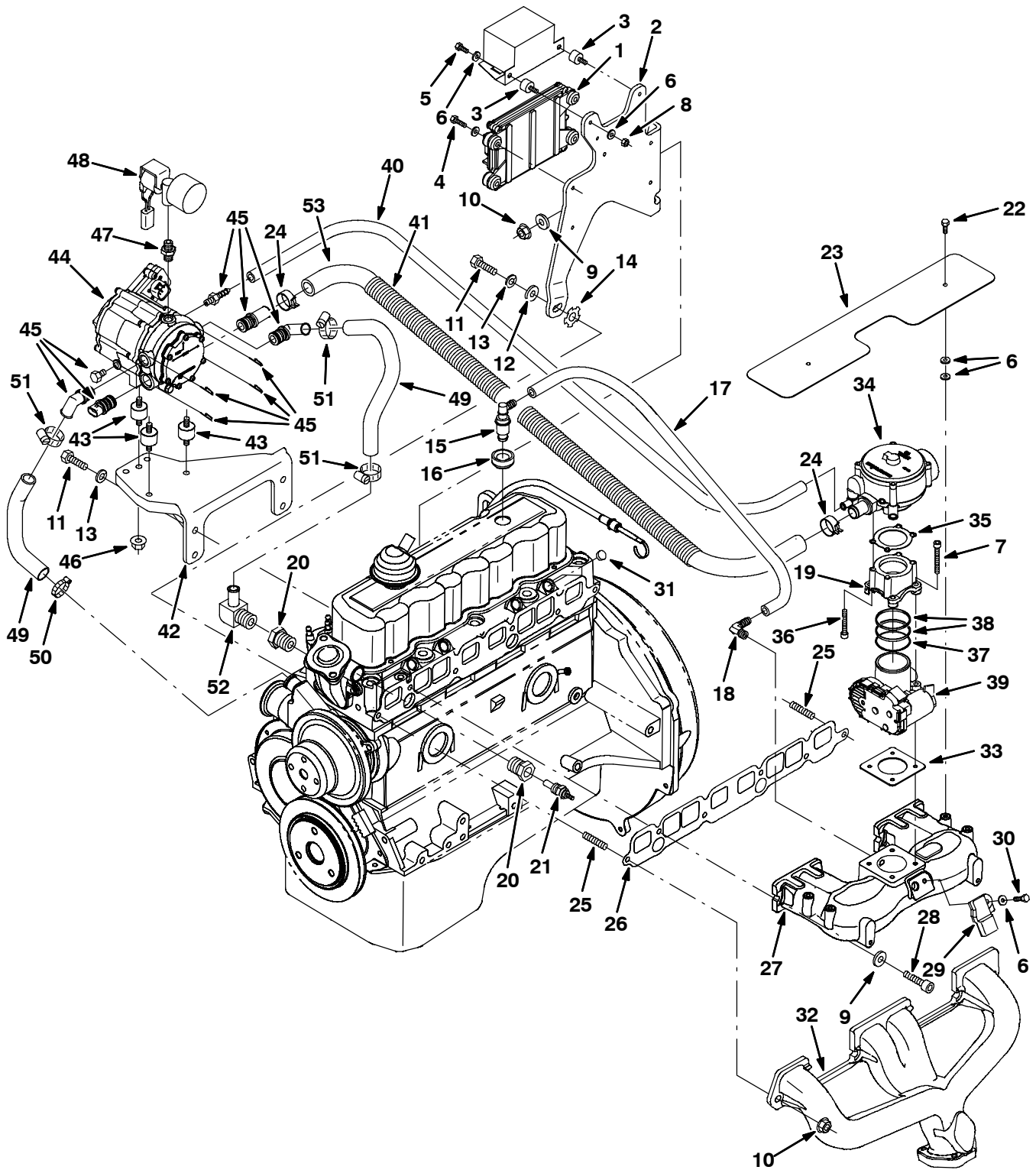
## LPG PARTS

Fig. 6 - Engine EFI and Vaporizer Group, LPG (001508-001537)

Ref.	Part No.	Serial Number	Description	Qty.
47	393905	(001508-001537 )	Nut	8
48	393906	(001508-001537 )	Stud	2
49	393907	(001508-001537 )	Washer	-
50	393898	(001508-001537 )	Bolt	3
51	393908	(001508-001537 )	Stud	1
52	393909	(001508-001537 )	Bolt	-
53	393910	(001508-001537 )	Manifold, Intake	1
54	393911	(001508-001537 )	Fitting	1
55	393912	(001508-001537 )	Gasket	1
56	393913	(001508-001537 )	Manifold, Exhaust	1
57	393914	(001508-001537 )	Stud	2
58	393915	(001508-001537 )	Clamp	4
59	393916	(001508-001537 )	Gasket	1



Fig. 7 - Engine EFI and Vaporizer Group, LPG (001538- )



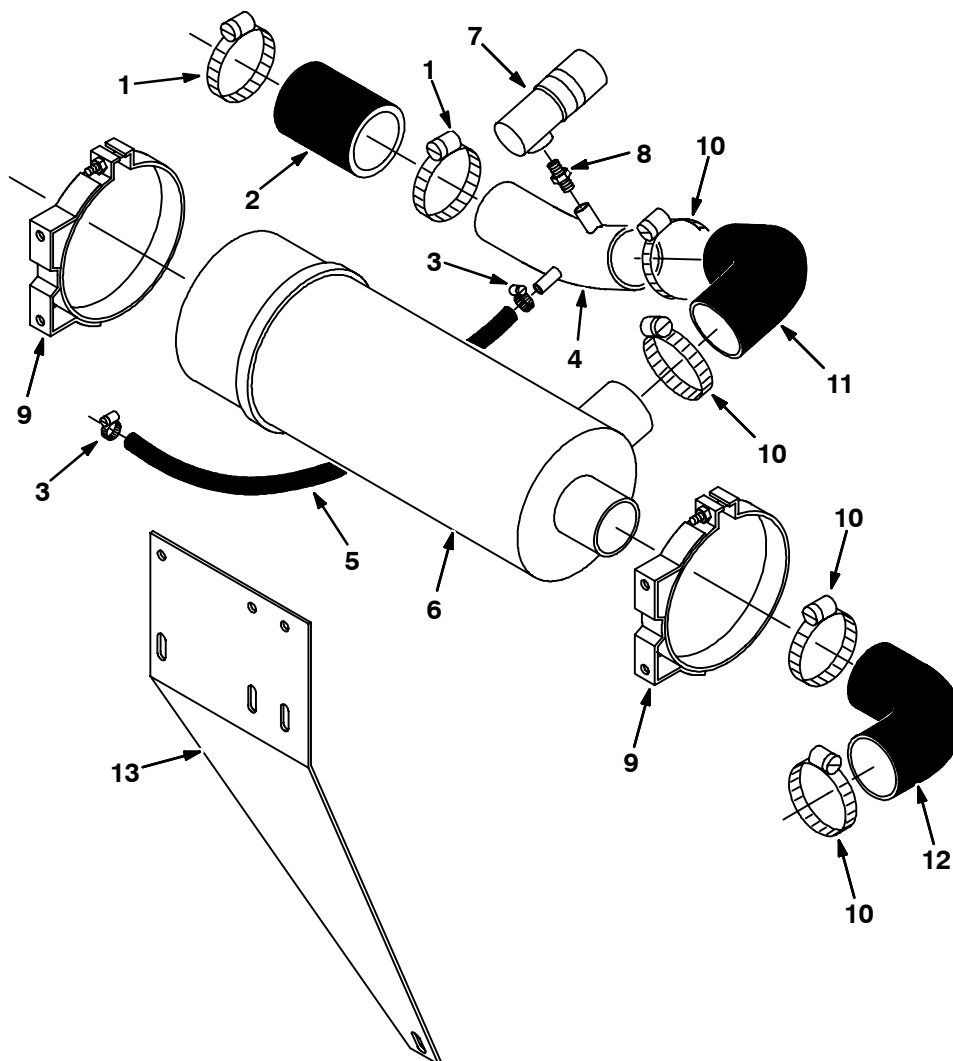
354175 - 550, 1550, 800, LP, Impco

Ref.	Part No.	Serial Number	Description	Qty.
1	1032805	(001538- )	Module, Ecu, Lpg [Gm3.0l 2007]	1
2	385008	(001538- )	Bracket, Box, Relay	1
3	372470	(001538- )	Isolator, Box, Relay	2
4	25047	(001538- )	Screw, Hex, .25-20 X 1.25, G5	4

Fig. 7 - Engine EFI and Vaporizer Group, LPG (001538- )

Ref.	Part No.	Serial Number	Description	Qty.
5	19315	(001538-	) Screw, Hex, .25-20 X 0.50, G5	2
6	32490	(001538-	) Washer, Flat, 0.25, Std	13
7	385016	(001538-	) Screw, Soc, M6 X 1.00 X 70	4
8	19312	(001538-	) Nut, Hex, Std, .25-20	2
9	371877	(001538-	) Washer, Flat, 0.38, Hardened	5
10	27980	(001538-	) Nut, Hex, Flng, .38-16	3
11	371553	(001538-	) Screw, .38-16 X 1.00	5
12	371877	(001538-	) Washer, Flat, 0.38, Hardened	1
13	371509	(001538-	) Washer, Lock, 0.38	5
14	371875	(001538-	) Washer, Lock, Int / Ext, 0.38	1
15	372483	(001538-	) Valve [Pcv]	1
16	393984	(001538-	) Grommet	1
17	385001	(001538-	) Hose, Fuel, .38d, Rbr	1
18	385002	(001538-	) Fitting, E90	1
19	384996	(001538-	) Adapter, Valve, 400mm [Bosch]	1
20	385000	(001538-	) Fitting, Bshg	2
21	372472	(001538-	) Sensor, Temp	1
22	385007	(001538-	) Screw, M6 X 10mm	2
23	385006	(001538-	) Shield, Heat, Manifold	1
24	384979	(001538-	) Clamp, Hose, Spring, 0.62d	2
25	372466	(001538-	) Stud, .38-16 X 1.2l	2
26	385003	(001538-	) Gasket, Manifold, Intake	1
27	385004	(001538-	) Manifold, Intake [2007]	1
28	10830	(001538-	) Screw, Soc, .38-16 X 1.00, Al	4
29	384985	(001538-	) Sensor [T Map]	1
30	19317	(001538-	) Screw, Hex, .25-20 X 0.75, G5	1
31	372579	(001538-	) Plug, Hole, Injector	4
32	385005	(001538-	) Manifold, Exhaust [2007]	1
33	372545	(001538-	) Gasket, Body, Throttle [1.6l]	1
34	385012	(001538-	) Valve, Lpg [Mixer]	1
35	1037313	(001538-	) Gasket, Lpg, Adapter [Gm 2007]	1
36	385017	(001538-	) Screw, Soc, #12-24 X 1.50	4
37	1037311	(001538-	) Seal,Org, Lpg, Mixer [Gm 2007]	1
38	1037312	(001538-	) Gasket, Lpg, Mixer [Gm 2007]	2
39	384974	(001538-	) Housing, Throttle, 40mm [Bosch]	1
40	384973	(001538-	) Hose, Supply, Gas, .25id	1
41	384971	(001538-	) Cover, Hose	1
42	385014	(001538-	) Bracket [Epr]	2
43	384986	(001538-	) Isolator [Epr]	3
44	384977	(001538-	) Regulator [Ep]	1
45	384978	(001538-	) Fitting Kit [Epr]	1
46	385015	(001538-	) Nut, Flng, M8	3
47	372529	(001538-	) Fitting, Nipple, .25mal	1
48	384975	(001538-	) Valve, Lock Off	1
49	372528	(001538-	) Hose, Mold, .62 To .75	2
50	63810	(001538-	) Clamp, Hose, Wormdrive, 0.56-1.06d, .56w	1
51	372539	(001538-	) Clamp, Hose, 1.0	3
52	385011	(001538-	) Fitting, E90	1
53	385013	(001538-	) Hose, Mold [Epr To Mixer]	1

Fig. 8 - Engine Air Cleaner Group, LPG (001000-001402)

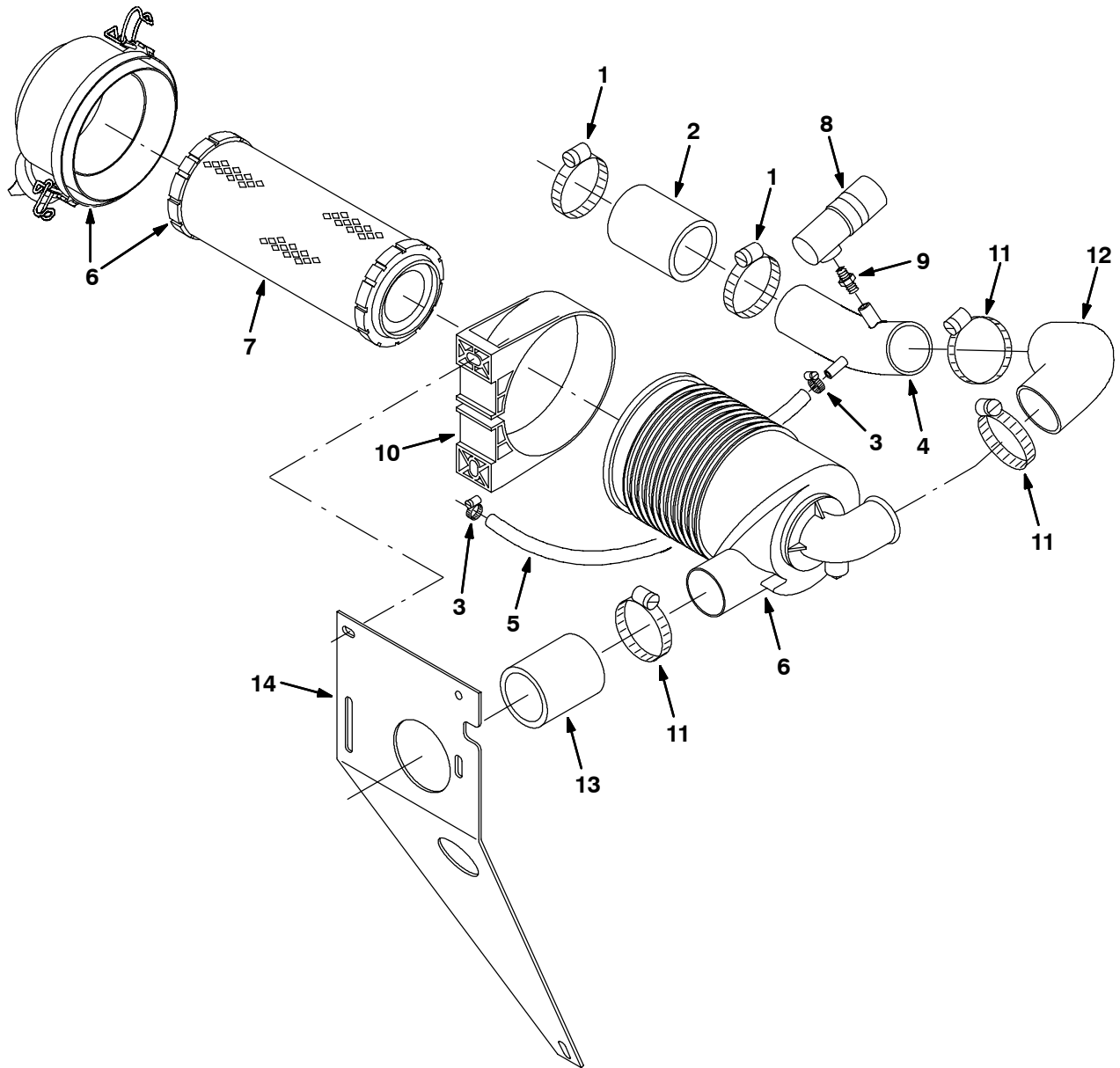


00108 - 550, 1550, LP

Ref.	Part No.	Serial Number	Description	Qty.
1	43555	(001000-001402 )	Clamp, Worm Drive	2
2	15543-2	(001000-001402 )	Coupling, Air Cleaner Tube	1
3	54333	(001000-001402 )	Clamp, Worm Drive	2
4	10488	(001000-001402 )	Tube, Air Cleaner	1
5	76589-2	(001000-001402 )	Hose, Rubber	1
▽	6	398296	Kit, Replacement, Air Cleaner F/76827	1
▲	58120	(001000-001402 )	Element, Air Filter	1
7	51658-5	(001000-001402 )	Indicator, Filter Service	1
8	51560-5	(001000-001402 )	Adapter, Filter, 1/8NPT	1
9	51560-3	(001000-001402 )	Clamp, Mounting	2
10	22297	(001000-001402 )	Clamp, Worm Drive	4
11	10509	(001000-001402 )	Elbow, Air Cleaner	1
12	76825	(001000-001402 )	Elbow, Carburetor	1
13	76332	(001000-001402 )	Brace, Rear Shroud	1



Fig. 9 - Engine Air Cleaner Group, LPG (001403-001423)



00108 - 550, 1550, LP

Ref.	Part No.	Serial Number	Description	Qty.	
1	43555	(001403-001423 )	Clamp, Worm Drive	2	
2	15543-2	(001403-001423 )	Coupling, Air Cleaner Tube	1	
3	54333	(001403-001423 )	Clamp, Worm Drive	2	
4	10488	(001403-001423 )	Tube, Air Cleaner	1	
5	76589-2	(001403-001423 )	Hose, Rubber	1	
▽	6	369745	(001403-001423 )	Air Cleaner	1
▲	7	369746	(001403-001423 )	Element, Air Filter	1
8	51658-5	(001403-001423 )	Indicator, Filter Service	1	
9	51560-5	(001403-001423 )	Adapter, Filter, 1/8NPT	1	
10	369747	(001403-001423 )	Clamp, Mounting	1	
11	22297	(001403-001423 )	Clamp, Worm Drive	3	
12	10509	(001403-001423 )	Elbow, Air Cleaner	1	
13	15543	(001403-001423 )	Elbow, Carburetor	1	
14	369751	(001403-001423 )	Brace, Rear Shroud	1	

Fig. 10 - Engine Air Cleaner Group, LPG (001508- )

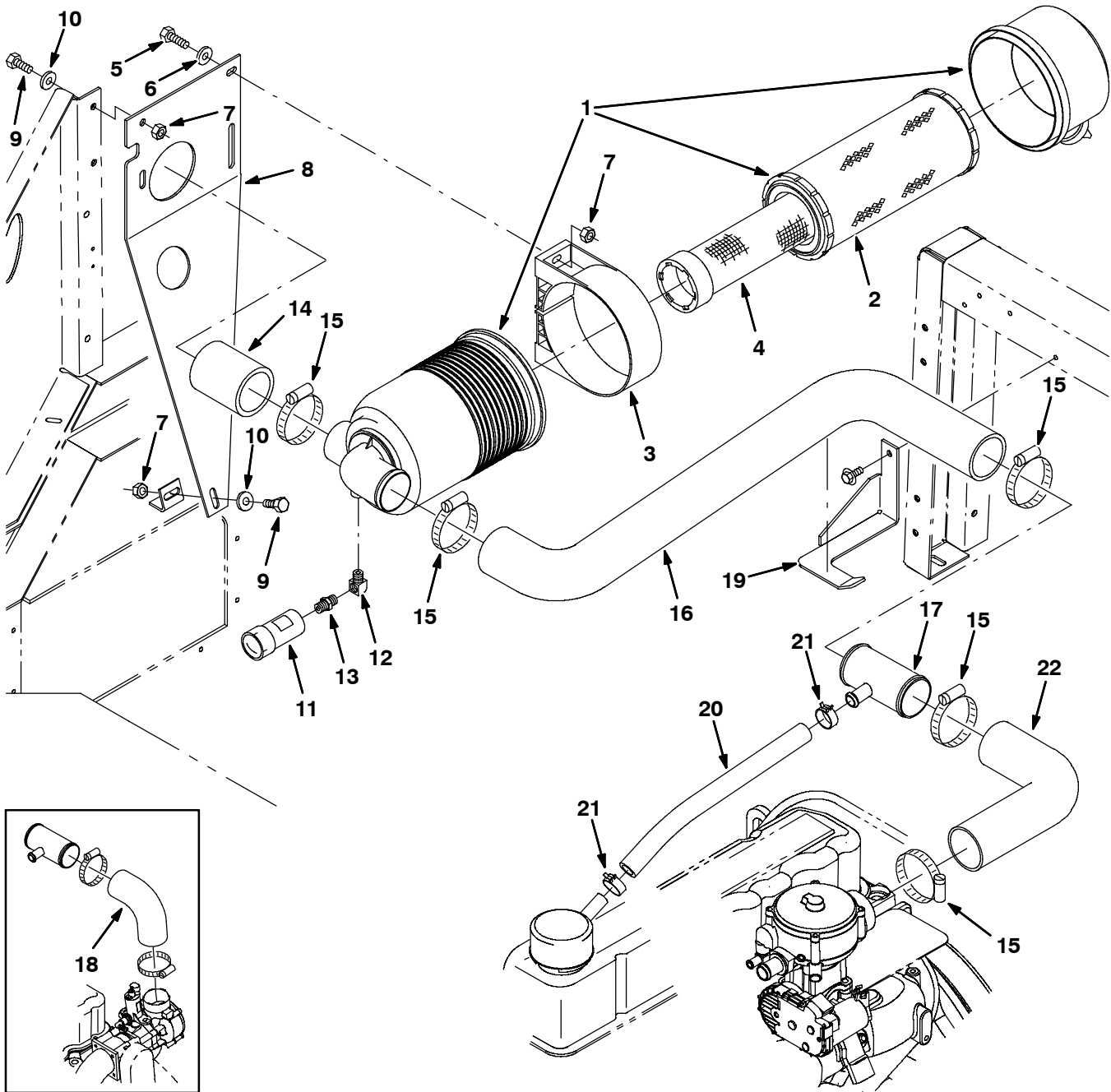


Fig. 10 - Engine Air Cleaner Group, LPG (001508- )

Ref.	Part No.	Serial Number	Description	Qty.
▽	1	369745	(001508- ) Filter, Assy, Air	1
▲	2	369746	(001508- ) Element, Fltr, Air, [Dn#P831424]	1
	3	369747	(001508- ) Clamp, Mtg, Filter, Air	1
	4	398279	(001508- ) Element, Fltr, Air, [Dnp822858] Safety	1
	5	76955	(001508- ) Screw, Hex, .31-18 X 1.00, 5	2
	6	39349	(001508- ) Washer, Flat, 0.31 Sae	2
	7	32983	(001508- ) Nut, Hex, Lock, .31-18, NI	5
	8	369751	(001508- ) Brace, Rear Shroud	1
	9	54396	(001508- ) Screw, Hex, .31-18 X 0.75, 5	3
	10	32491	(001508- ) Washer, Flat, 0.31 Std	3
	11	03026	(001508- ) Indicator, Service, Air Filter 20h20 Dn	1
	12	11984	(001508- ) Fitting, Pipe, E90, Pm02/Pf02	1
	13	51560-5	(001508- ) Fitting, Brs, Str, Pm02, Service	1
	14	15543	(001508- ) Hose, Rbr, 2.00id 2.50od 03.0l	1
	15	22297	(001508- ) Clamp, Hose, Wormdrive, 1.56-2.50d, .50w	5
	16	1014712	(001508- ) Hose, Intake, Mold, E90 E90 2.0id 2.0id	1
	17	1011780	(001508- ) Tube Wldt, Tee	1
	18	76825	(001508-001537 ) Hose, Rbr, E90 2.00id 2.00id 03.5 03.5	1
	19	1016171	(001508- ) Bracket, Sppt, Hose	1
	20	13124	(001508- ) Hose, Heater, 0.62id 18.0l	1
	21	1011899	(001508- ) Clamp, Hose, Spring Stl, 0.86d X 0.38w	2
	22	1032757	(001538- ) Hose, Intake, Mold, E90, 2.0id[550/1550]	1

Fig. 11 - Instrument Panel Group, LPG (001508- )

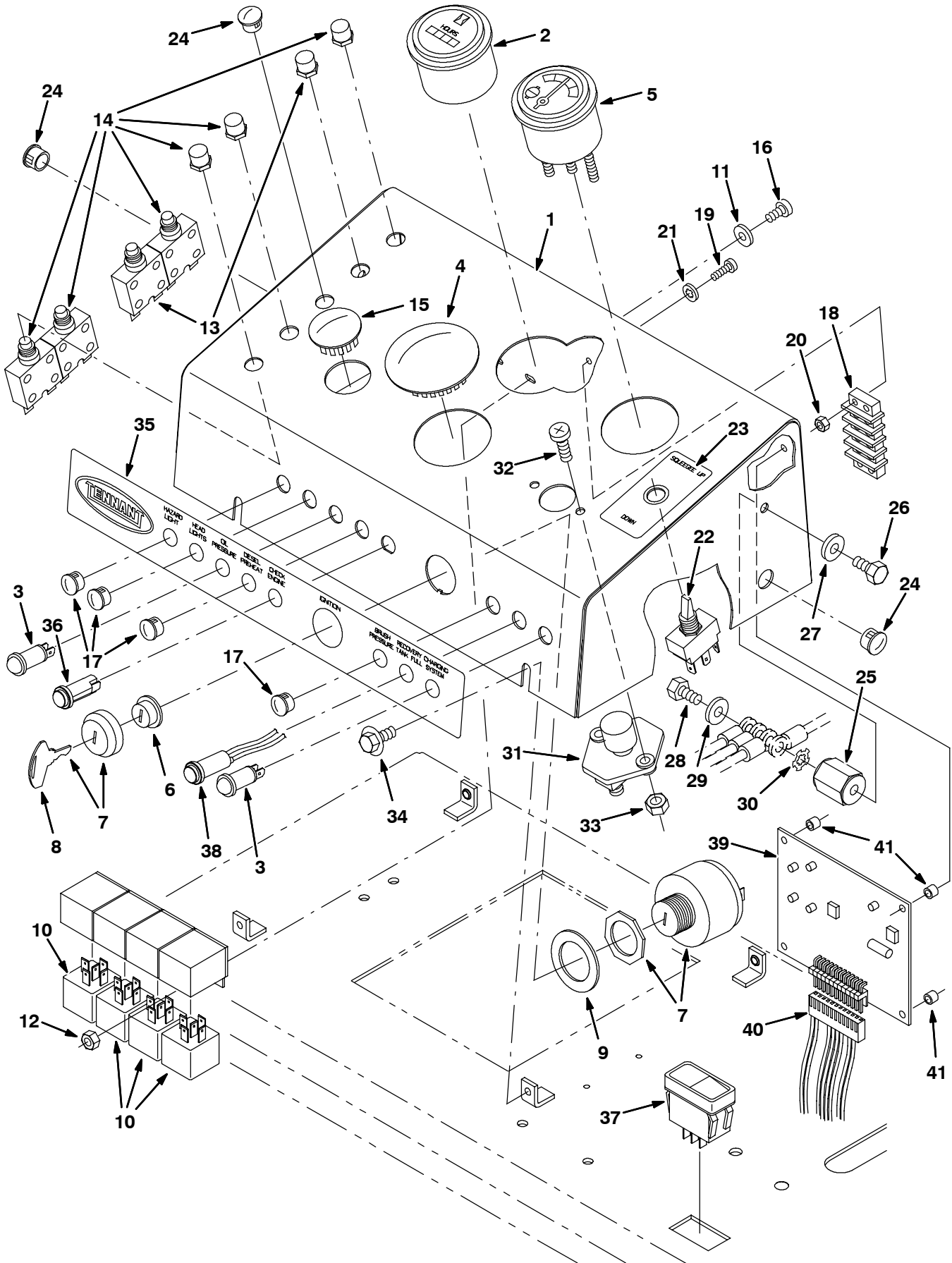
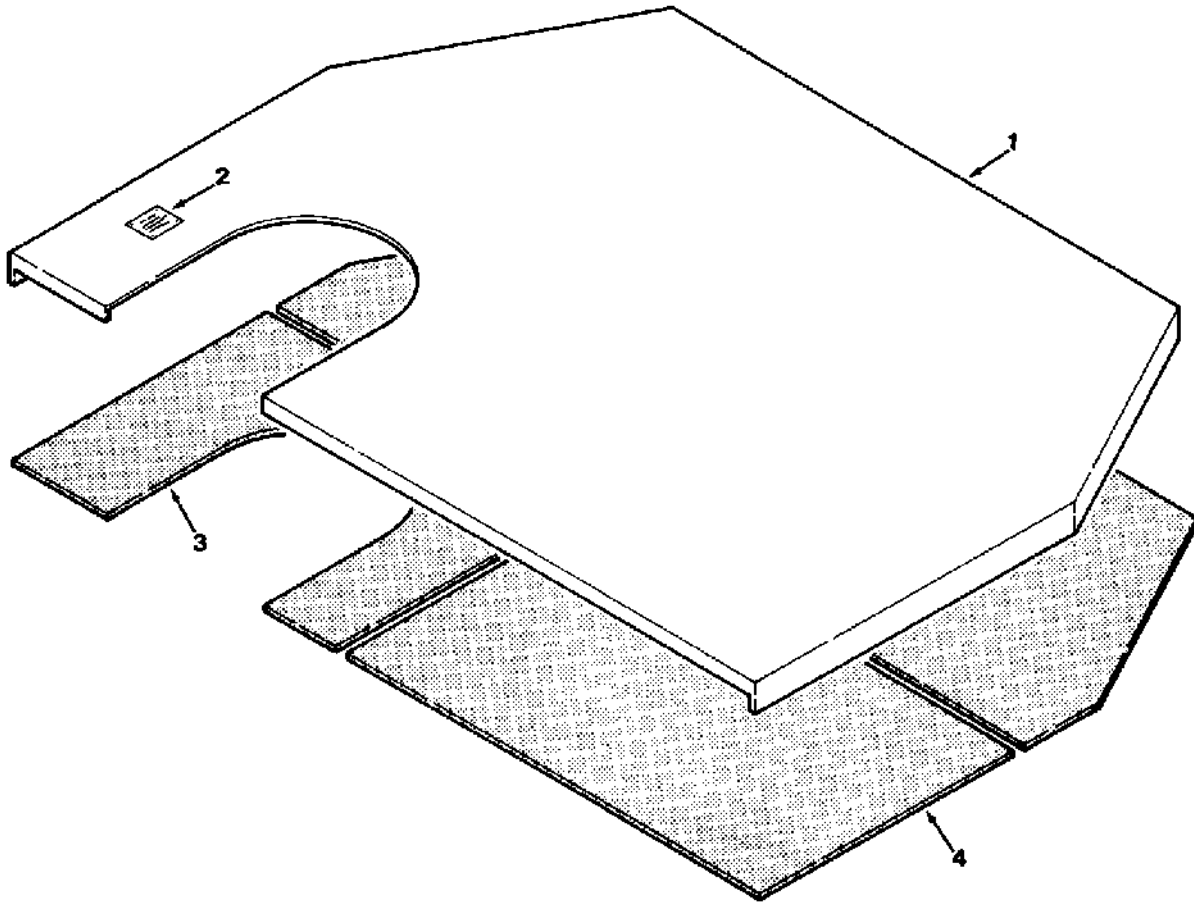


Fig. 11 - Instrument Panel Group, LPG (001508- )

Ref.	Part No.	Serial Number	Description	Qty.	
1	1015379	(001508-	) Panel Wldt, Console, Instmt [550]	1	
2	34810	(001508-	) Hourmeter, 12-24vdc, Analog, Rnd	1	
3	34820	(001508-	) Light, Panl, 14vdc, Red, 0.6d	2	
4	47178-12	(001508-	) Button, Plug, 2.09h .05-.06 [Chm Stl]	1	
5	50330	(001508-	) Gauge, Temp, 100-260 2.3d 12vdc	1	
6	382516	(001508-	) Boot, Switch	1	
▽	7	87536	(001508-	) Switch, Ign [Ku]	1
▲	8	87866	(007006	) Key, Ignition, [Set Of 2]	1
9	73736	(001508-	) Washer, 1.15b 1.75d .08, Stl	1	
10	57804	(001508-	) Relay, 12vdc, 40a, Spdt, [Potter]	4	
11	19065	(001508-	) Washer, Flat, #08	4	
12	45181	(001508-	) Nut, Hex, Lock, #10-24, NI	4	
13	383723	(001508-	) Circuitbreaker, 20.0a, Resetable	1	
14	383722	(001508-	) Circuitbreaker, 15.0a	3	
15	47178-13	(001508-	) Button, Plug, 1.25h .06-.09 [Chrome Stl]	1	
16	39648	(001508-	) Screw, Pan, #10-24 X 0.38, 1	4	
17	56992	(001508-	) Button, Plug, 0.50h .03-.12 [Black Nyl]	4	
18	26523	(001508-	) Block, Terminal, 4 Connector	1	
19	32517	(001508-	) Screw, Pan, #08-32 X 0.62, 1	1	
20	19310	(001508-	) Nut, Hex, Std, #08-32	1	
21	32978	(001508-	) Washer, Lock, Int, #08	1	
22	76306	(001508-	) Switch, Toggle, 250vac 10a On/On	1	
23	76234	(001508-	) Label, Control, Sqge	1	
24	02431	(001508-	) Button, Plug, 0.56h .03-.12 [Black Nyl]	3	
25	76062	(001508-	) Insulator, Panel & Switchboard	1	
26	19316	(001508-	) Screw, Hex, .25-20 X 0.62, 5	1	
27	41185	(001508-	) Washer, Belleville, .25	1	
28	19315	(001508-	) Screw, Hex, .25-20 X 0.50, 5	1	
29	32490	(001508-	) Washer, Flat, 0.25 Std	1	
30	41141	(001508-	) Washer, Lock, Int-Ext, .31	1	
31	44078	(001508-	) Switch, Push, 12vdc 80a Spst No	1	
32	39712	(001508-	) Screw, Pan, .25-20 X 0.75, 2	2	
33	75934	(001508-	) Nut, Hex, Lock, .25-20, NI	2	
34	16949	(001508-	) Screw, Hex, .25-20 X 0.75, Sems	4	
35	1015389	(001508-	) Label, Console, Instmt	1	
36	1012185	(001508-	) Light, Warning, Check Engine, Amb, 14 Vdc	1	
37	371580	(001508-	) Switch, Speed, Eng	1	
38	374119	(001508-	) Light, Indicator, 14vdc Red	1	
	45333	(001508-	) Terminal, Spade, #10stud, 14/16awg	1	
	45224	(001508-	) Terminal, Qdc, [.25f, Insf,14]	1	
39	64795C-1	(001508-	) P.c.board, Level Sensing-compl	1	
40	391905	(001508-	) Harness, Sensing, Level, Srs [1550]	1	
41	64921	(001508-	) Spacer	4	

**Fig. 12 - Engine Cover Group, LPG (001000-001423)**



01733 - 550, 1550, LP

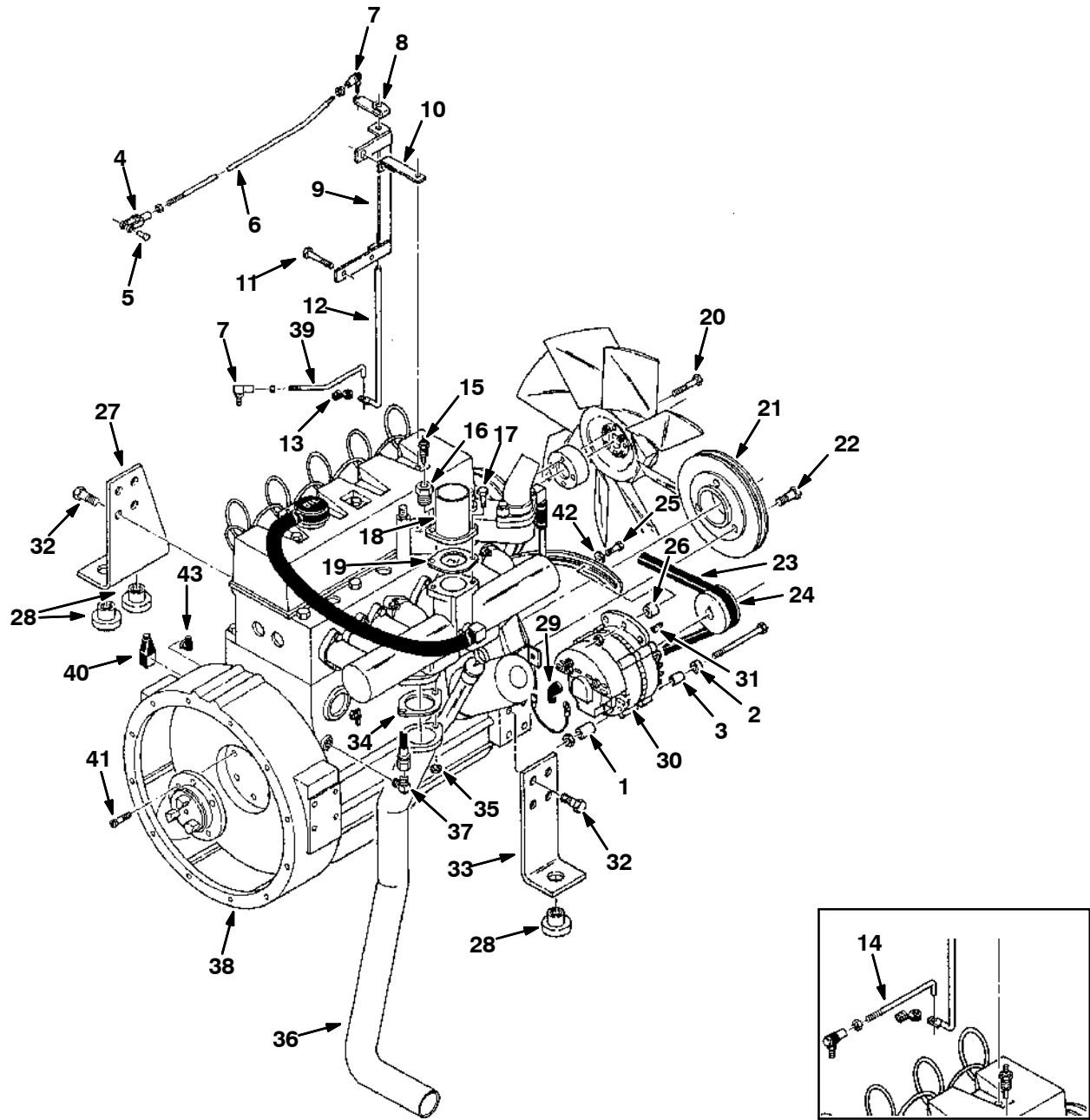
Ref.	Part No.	Serial Number	Description	Qty.
▽	1	78017	(001000-001423 ) Door, Engine Cover	1
▲	2	58067	(001000-001423 ) Data Plate, LPG	1
	3	78013	(001000-001423 ) Insulation, Tank Opening	1
	4	78014	(001000-001423 ) Insulation, Engine Cover	1

*NOTE: To identify parts shown but not listed here, see Section 6, Standard Parts.*

**SECTION 8**

<b>Contents</b>	<b>Page</b>	<b>Contents</b>	<b>Page</b>
Fig. 1 - Engine Group, Diesel (001000-001423) .	8-2	Fig. 29 - Hydraulic Filter Group, Diesel	
Fig. 2 - Engine Group, Diesel (001424-001505) .	8-4	(001104-      ) . . . . .	8-48
Fig. 3 - Engine Group, Diesel (001508-      ) ..	8-6	Fig. 30 - Electrical Schematic, Diesel	
Fig. 4 - Engine Throttle Group, Diesel		(001000-001423) . . . . .	8-49
(001508-      ) . . . . .	8-8	Fig. 31 - Electrical Schematic, Diesel	
Fig. 5 - Engine Oil Filter and Drain Group,		(001424-001505) . . . . .	8-50
Diesel (001424-001505) . . . . .	8-10	Fig. 32 - Electrical Schematic, Diesel	
Fig. 6 - Engine Muffler Group, Diesel		(001508-      ) . . . . .	8-54
(001424-001505) . . . . .	8-12	Fig. 33 - Electrical Wire Harnesses Group,	
Fig. 7 - Engine Muffler Group, Diesel		Diesel (001508-      ) . . . . .	8-57
(001508-      ) . . . . .	8-14	Fig. 34 - Instrument Panel Group, Diesel	
Fig. 8 - Engine Fuel Tank Group, Diesel		(001508-      ) . . . . .	8-64
(001000-001423) . . . . .	8-16	Fig. 35 - Vacuum Fan Assembly, Diesel	
Fig. 9 - Engine Fuel Tank Group, Diesel		(001000-      ) . . . . .	8-66
(001424-001505) . . . . .	8-18		
Fig. 10 - Engine Fuel Tank Group, Diesel			
(001508-      ) . . . . .	8-20		
Fig. 11 - Engine Alternator Group, Diesel			
(001424-001505) . . . . .	8-22		
Fig. 12 - Engine Radiator Group, Diesel			
(001000-001423) . . . . .	8-23		
Fig. 13 - Engine Radiator and Hydraulic Cooler			
Group, Diesel (001424-001505) . . . . .	8-24		
Fig. 14 - Engine Radiator and Hydraulic Cooler			
Group, Diesel (001508-      ) . . . . .	8-26		
Fig. 15 - Engine Air Cleaner Group, Diesel			
(001000-001423) . . . . .	8-28		
Fig. 16 - Engine Air Cleaner Group, Diesel			
(001424-001505) . . . . .	8-29		
Fig. 17 - Engine Air Cleaner Group, Diesel			
(001508-      ) . . . . .	8-30		
Fig. 18 - Engine Glow Plug Control Group,			
Diesel (001000- 001423) . . . . .	8-32		
Fig. 19 - Engine Glow Plug Control Group,			
Diesel (001424-001505) . . . . .	8-33		
Fig. 20 - Engine Battery Group, Diesel			
(001000-001505) . . . . .	8-34		
Fig. 21 - Engine Battery Group, Diesel			
(001508-      ) . . . . .	8-35		
Fig. 22 - Steering Column Group, Diesel			
(001000-      ) . . . . .	8-36		
Fig. 23 - Hydraulic Directional Pedal Group,			
Diesel (001104-      ) . . . . .	8-38		
Fig. 24 - Hydraulic Schematic, Diesel			
(001000-      ) . . . . .	8-40		
Fig. 25 - Hydraulic Hoses Group, Diesel			
(001104-      ) . . . . .	8-42		
Fig. 26 - Hydraulic Control Valves Group,			
Diesel (001000-      ) . . . . .	8-44		
Fig. 27 - Hydraulic Reservoir Group, Diesel			
(001000-      ) . . . . .	8-47		
Fig. 28 - Hydraulic Pumps Group, Diesel			
(001104-      ) . . . . .	8-48		

**Fig. 1 - Engine Group, Diesel (001000-001423)**



02385 - 1550, D

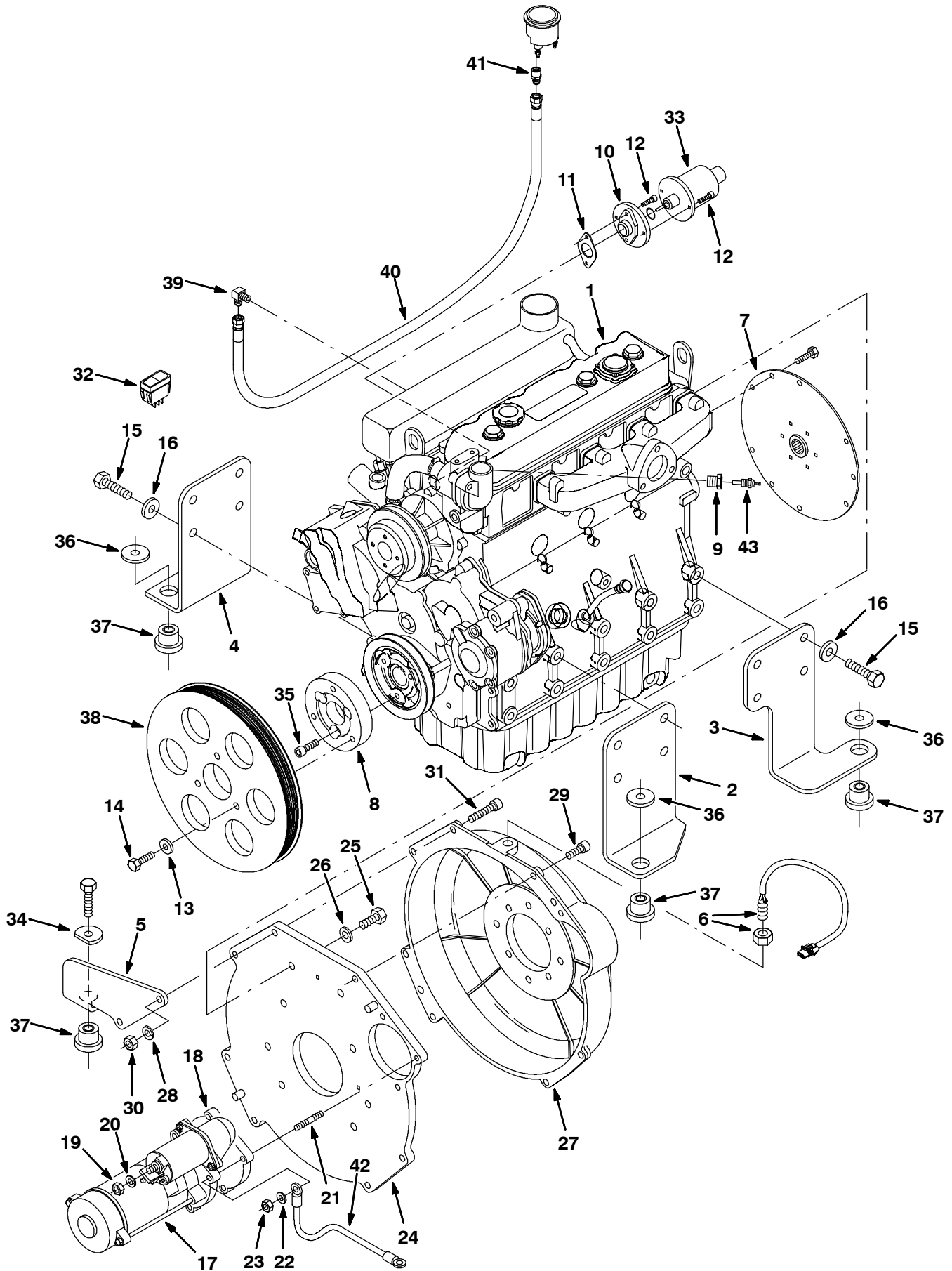
Ref.	Part No.	Serial Number	Description	Qty.
1	08891	(001000-001423 )	Sleeve	1
2	36417	(001000-001423 )	Sleeve	1
3	57311	(001000-001423 )	Bushing	1
4	14595-1	(001000-001423 )	Clevis, Adjustable	1
5	14605	(001000-001423 )	Pin, Clevis	1
6	16551	(001000-001423 )	Rod, Throttle	1



**Fig. 1 - Engine Group, Diesel (001000- 001423)**

<b>Ref.</b>	<b>Part No.</b>	<b>Serial Number</b>	<b>Description</b>	<b>Qty.</b>	
7	14601	(001000-001423 )	Ball Joint	2	
8	15785	(001000-001423 )	Arm	1	
9	16556	(001000-001423 )	Bracket, Throttle	1	
10	16557	(001000-001423 )	Angle, Mounting Bracket	1	
11	16931	(001000-001423 )	Screw, Hex, M8	2	
12	16552	(001000-001423 )	Rod, Vertical Throttle	1	
13	15806	(001000-001423 )	Clip, Rod End	1	
14	16550	(001000-001423 )	Rod, Throttle	1	
15	78005-2	(001000-001423 )	Sending Unit, Temperature	1	
16	78170	(001000-001423 )	Fitting, Straight	1	
17	39277	(001000-001423 )	Screw, Hex, M8	2	
18	16499	(001000-001423 )	Tube, Air Intake	1	
19	34954	(001000-001423 )	Gasket, Intake	1	
20	39278	(001000-001423 )	Screw, Hex, M8	4	
21	391800	(001000-001423 )	Sheave	1	
22	39284	(001000-001423 )	Screw, Hex, M10	3	
23	34194	(001000-001423 )	V-belt	1	
24	34833	(001000-001423 )	Pulley, Alternator	1	
25	41342	(001000-001423 )	Screw, Hex, M8	1	
26	08892	(001000-001423 )	Sleeve	1	
27	65894	(001000-001423 )	Mount, Engine, R.H.	1	
28	51176	(001000-001423 )	Dampner, Engine	5	
29	34065	(001000-001423 )	Boot	1	
▽	30	03233	(001000-001423 )	Alternator	1
▲		61515	(001000-001423 )	Diode and Rectifier Assembly	1
▲		61516	(001000-001423 )	Brush Assembly	2
▲		01844	(001000-001423 )	Bearing, Ball	1
▲		61517	(001000-001423 )	Regulator, Voltage	1
▲	31	00500-5	(001000-001423 )	Key, Woodruff	1
	32	41348	(001000-001423 )	Screw, Hex, M14	8
	33	16490	(001000-001423 )	Bracket, Engine Mounting	1
	34	34908	(001000-001423 )	Gasket, Tail Pipe	1
	35	39312	(001000-001423 )	Nut, M10	2
	36	16496	(001000-001423 )	Pipe, Exhaust	1
	37	06507	(001000-001423 )	Fitting, Elbow	1
	38	61697	(001000-001055 )	Engine, (Replaced by 65951) (See 61697 Continental Engine Breakdown, Diesel)	1
	38	65951	(001056-001423 )	Engine, Diesel, TM27, (See 65951 Continental Engine Breakdown, Diesel)	1
	39	65967	(001056-001423 )	Rod, Throttle	1
	40	68872	(001000-001423 )	Boot, Battery	1
	41	41358	(001000-001423 )	Screw, Socket, Metric	6
	42	41187	(001000-001423 )	Washer, Belleville	1
	43	02076	(001000-001423 )	Cover, Terminal	1
		32814	(001000-001423 )	Label, Throttle and Solution Control	1
		16933	(001000-001423 )	Wire Assembly, No. 46	1
		50456	(001000-001423 )	Terminal, Quick-Disconnect	1

**Fig. 2 - Engine Group, Diesel (001424-001505)**



**Fig. 2 - Engine Group, Diesel (001424-001505)**

Ref.	Part No.	Serial Number	Description	Qty.
1	377428	(001424-001505 )	Vr, Block, Long (See Perkins Engine Breakdown, Diesel)	1
2	371587	(001424-001505 )	Mount, Left Front	1
3	371588	(001424-001505 )	Mount, Left Rear	1
4	371589	(001424-001505 )	Mount, Right Front	1
5	371590	(001424-001505 )	Mount, Right Rear	1
6	371600	(001424-001505 )	Sensor, Magnet	1
7	371606	(001424-001505 )	Coupling	1
8	371609	(001424-001505 )	Adaptor, Cshaft Pulley	1
9	24698	(001424-001505 )	Fitting, Brs, Str, Pf02/Pm06	1
10	71384	(001424-001505 )	Adaptor, Actuator, Governor/Eng, Dsl	1
11	70165	(001424-001505 )	Gasket, Throttle	1
12	71388	(001424-001505 )	Screw, Soc, M06 X 1.0 X 16, 12.9	4
13	32491	(001424-001505 )	Washer, Flt, .31 Std	3
14	39670	(001424-001505 )	Screw, Hex, .38-24 X 1.50, 5	3
15	371618	(001424-001505 )	Screw, Hex, M14-20 X 30, 10.9	12
16	371617	(001424-001505 )	Washer, M14, Hardened	12
17	371622	(001424-001505 )	Starter	1
18	371624	(001424-001505 )	Spacer, Starter	1
19	371613	(001424-001505 )	Nut, M10-1.50	1
20	371614	(001424-001505 )	Washer, Lock, M10	1
21	371625	(001424-001505 )	Stud, .38-16 X 2.25, 5	3
22	371626	(001424-001505 )	Washer, Lock, .38	3
23	371627	(001424-001505 )	Nut, .38-24	3
24	371628	(001424-001505 )	Plate, Rear Mounting	1
25	371634	(001424-001505 )	Screw, M12-1.75 X 30	8
26	371629	(001424-001505 )	Washer, Lock, M12	8
27	371630	(001424-001505 )	Housing, [Ktr]	1
28	371631	(001424-001505 )	Washer, Lock, .44	2
29	371638	(001424-001505 )	Screw, Soc, .44-20 X 1.00, 5	5
30	371632	(001424-001505 )	Nut, .44-20	2
31	371640	(001424-001505 )	Screw, Soc, .44-20 X 2.00	2
32	371636	(001424-001505 )	Switch, Hi Low	1
33	71385	(001424-001505 )	Actuator, Governor, Die	1
34	392550	(001424-001505 )	Washer, Flat, Perkins, [550/1550]	1
35	39309	(001424-001505 )	Screw, Soc, M10 X 1.5 X 25, 12.9	3
36	51564	(001424-001505 )	Washer, 0.53b 1.75d .12, Stl, PI	3
37	51176	(001424-001505 )	Dampener, Eng	4
38	391800	(001424-001505 )	Sheave, [Poly-V], 12.6d, 8grv, 2.50b	1
39	06507	(001424-001505 )	Fitting, Brs, E90, Pm02/Sm04	1
40	32552	(001424-001505 )	Hose, Lpg, Med04, Jf04str/Jf04str, 48.0l	1
41	11979	(001424-001505 )	Fitting, Brs, Str, Pm02/Sm04	1
42	29832-7	(001424-001505 )	Cable, Grounding	1
43	78005-2	(001424-001505 )	Send-unit, Water, Temp, 04npt	1

**Fig. 3 - Engine Group, Diesel (001508- )**

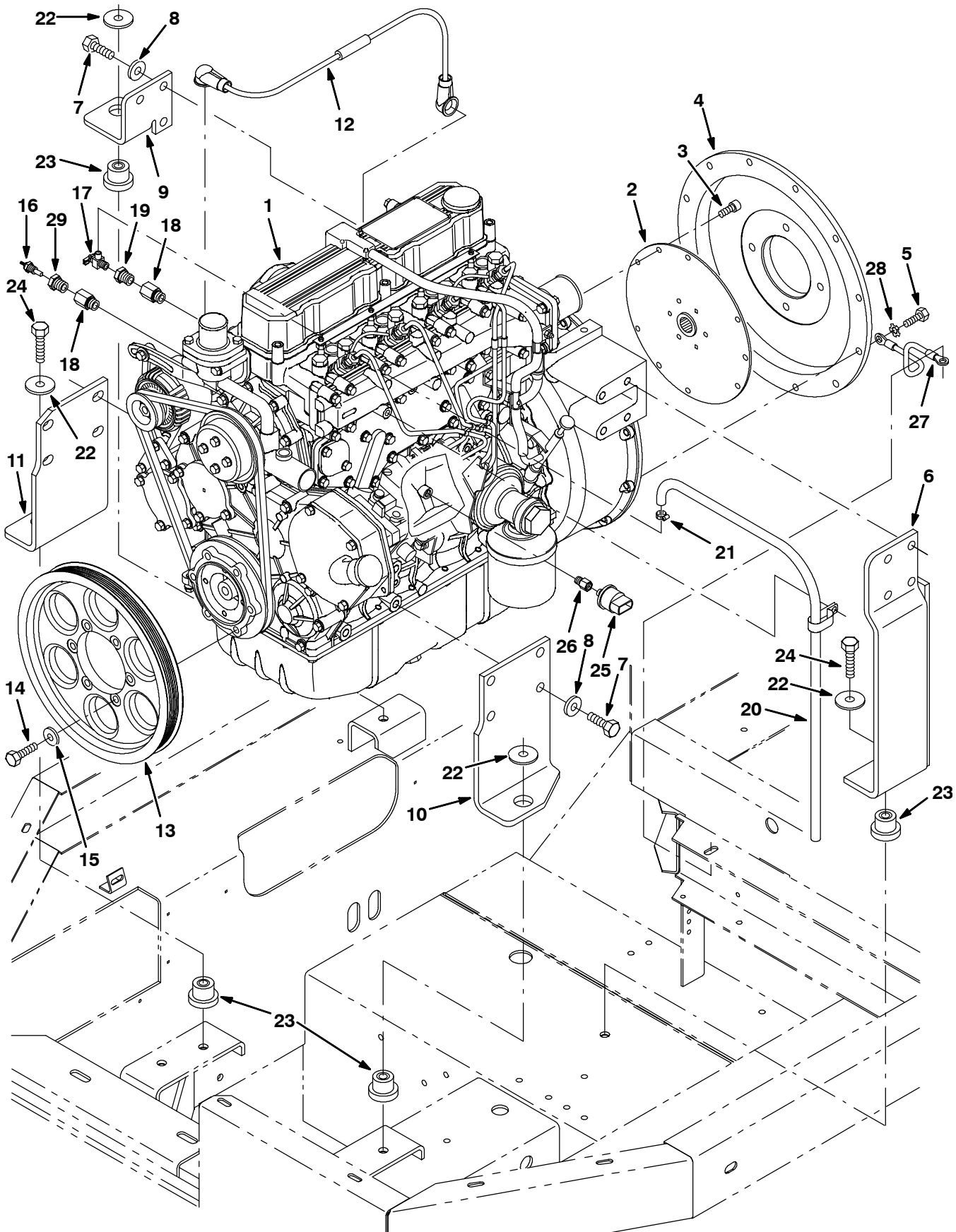


Fig. 3 - Engine Group, Diesel (001508- )

Ref.	Part No.	Serial Number	Description	Qty.
1	1011676	(001508-	) Engine Assy, Dsl [550/1550] (See Cat Engine Breakdown, Diesel)	1
2	35980	(001508-	) Coupling, Drive, Flex, 10.3d/15tooth	1
3	39309	(001508-	) Screw, Soc, M10 X 1.5 X 25, 12.9	6
4	380520	(001508-	) Housing, Flywheel, Mach, [704] Perk	1
5	03192	(001508-	) Screw, Hex, M10 X 1.5 X 30, 8.8	12
6	1010843	(001508-	) Bracket Wldt, Mtg, Rear, Rh	1
7	06968	(001508-	) Screw, Hex, M12 X 1.75 X 35, 8.8	15
8	32493	(001508-	) Washer, Flat, 0.50 Std	15
9	1010739	(001508-	) Bracket, Mtg, Rear, Lh	1
10	1010738	(001508-	) Bracket, Mtg, Front, Rh	1
11	1010735	(001508-	) Bracket, Mtg, Front, Lh	1
12	1011701	(001508-	) Wire Assy, 4ga, 150 Amp Fuse	1
13	1012192	(001508-	) Sheave, 8grv, 12.6d, 4.10b	1
14	39284	(001508-	) Screw, Hex, M10 X 1.5 X 35, 8.8	6
15	32492	(001508-	) Washer, Flat, 0.38 Std	6
16	78005-2	(001508-	) Send-unit, Water, Temp, 04npt	1
17	51305	(001508-	) Fitting, Draincock, .25npt 90	1
18	1015762	(001508-	) Fitting, Hyd, Str, Metric, Om16/Pf06	2
19	1016383	(001508-	) Fitting, Brs, Str, Pm06/Pf04	1
20	63182-2	(001508-	) Hose, Pvc, Clr, 0.38id 0.56od 36.00l	1
21	43844	(001508-	) Clamp, Hose, Wormdrive, 0.25-0.62d, .31w	1
22	51564	(001508-	) Washer, Flat, 0.53b 1.75d .12, Stl, PI	4
23	51176	(001508-	) Isolator, Vib, Dia .50 [Ko]	4
24	48665	(001508-	) Screw, Hex, .50-13 X 2.00, NI	4
25	79399	(001508-	) Switch, Press, 12vdc 02a Dpdt N 0006psi	1
26	1011973	(001508-	) Fitting, Hyd, Str, 02bsppm/Pf02	1
27	57773	(001508-	) Wire Assy, 06ga 13.0l Blk .41h/ .41h	1
28	41142	(001508-	) Washer, Lock, Int-Ext, .38	1
29	24698	(001508-	) Fitting, Brs, Str, Pf02/Pm06	1

**Fig. 4 - Engine Throttle Group, Diesel (001508- )**

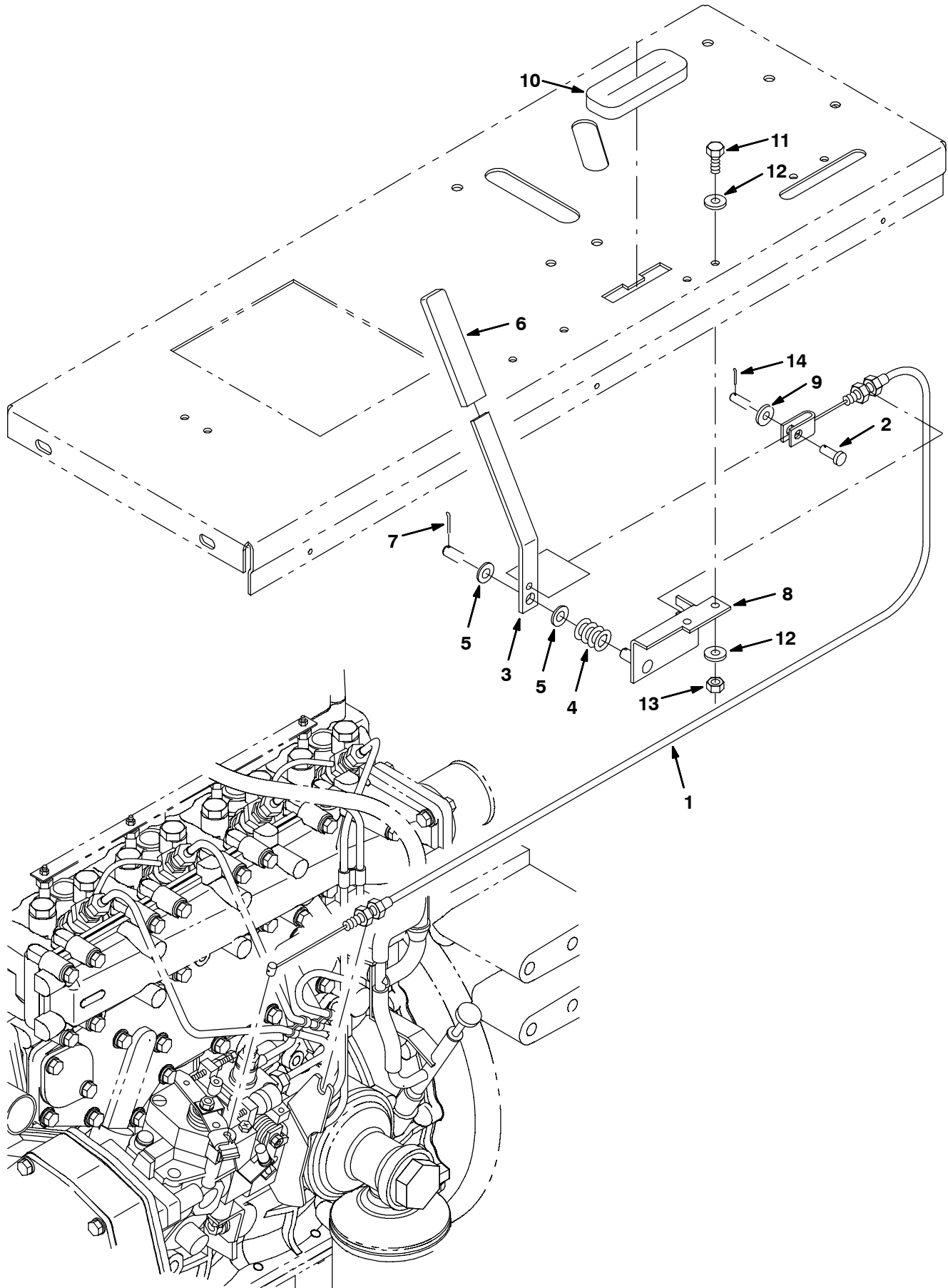


Fig. 4 - Engine Throttle Group, Diesel (001508- )

Ref.	Part No.	Serial Number	Description	Qty.
1	73799	(001508-	) Cable, Pull, 70.5l, .3clevis/.23ball	1
2	14605	(001508-	) Pin, Clevis, 0.25 D X 0.75l	1
3	70752	(001508-	) Handle, Throttle, Dsl	1
4	69495	(001508-	) Spring, Cmpr, 18.3d, 2.0w, 16.5l Mw Zn	1
5	43611	(001508-	) Washer, Flat, 0.39b 0.75d .06, Nyl	2
6	87246	(001508-	) Grip, Vyl, .18 X .75 X 4.00	1
7	39005	(001508-	) Pin, Cotter, .094 X 0.75	1
8	77693	(001508-	) Plate Wldt, Angle	1
9	32490	(001508-	) Washer, Flat, 0.25 Std	1
10	77789	(001508-	) Seal, Ure, 0.50th, 1.50w X 05.0l, Slit	1
11	06942	(001508-	) Screw, Hex, M6 X 1.0 X 16, 8.8	2
12	19066	(001508-	) Washer, Flat, #10	4
13	08708	(001508-	) Nut, Hex, Lock, M6 X 1.0, NI	2
14	08178	(001508-	) Pin, Cotter, .062 X 0.75	1

**Fig. 5 - Engine Oil Filter and Drain Group, Diesel (001424-001505)**

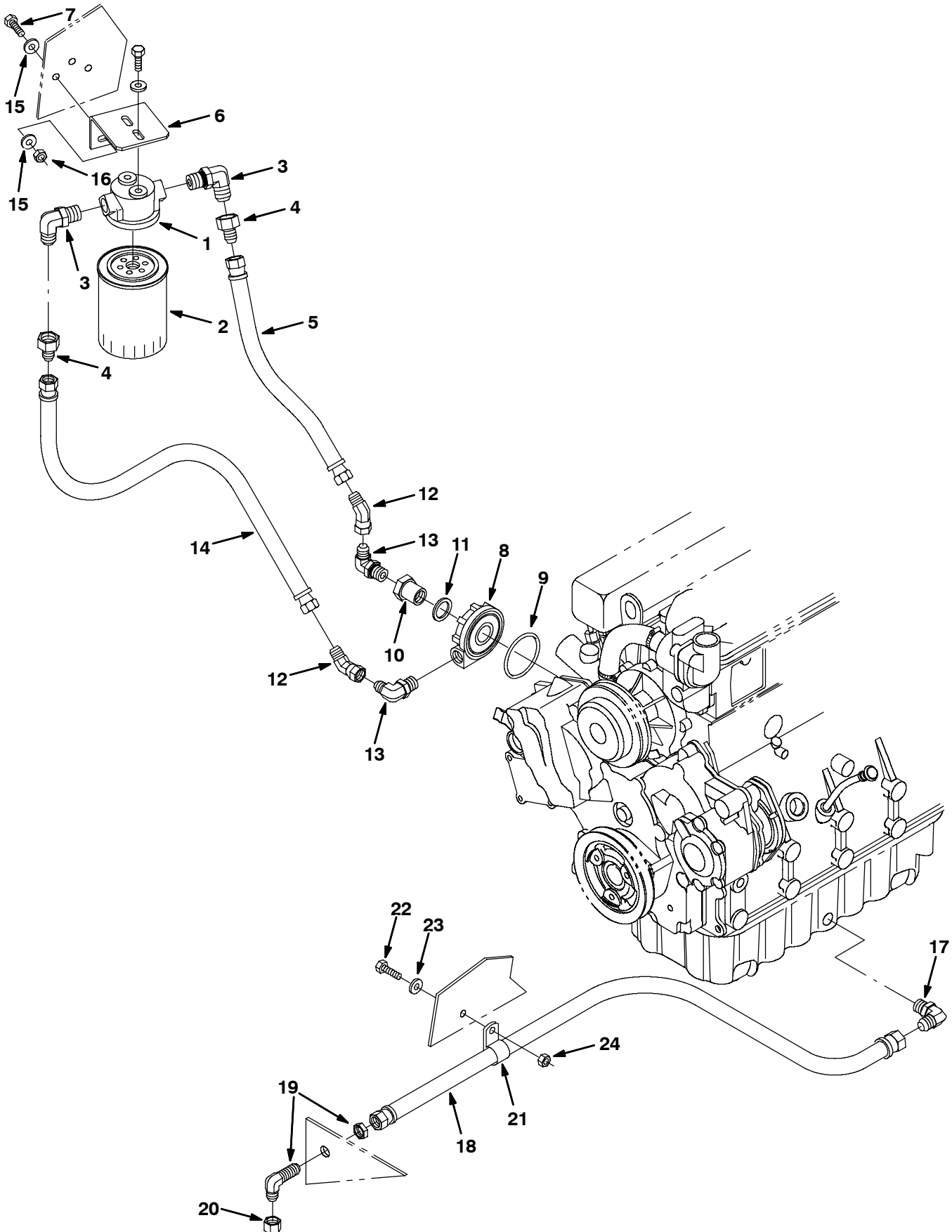




Fig. 5 - Engine Oil Filter and Drain Group, Diesel (001424-001505)

Ref.	Part No.	Serial Number	Description	Qty.
1	380564	(001424-001505 )	Filter Head, Oil, Rework	1
2	371637	(001424-001505 )	Filter, Oil, (Diesel)	1
3	51782	(001424-001505 )	Fitting, Hyd, E90, Jm10/Om10	2
4	47754	(001424-001505 )	Fitting, Hyd, Str, Jm06/Jf10	2
5	392552	(001424-001505 )	Hose, Hyd,Low06, Jf06str/Jf06str, 13.0	1
6	392547	(001424-001505 )	Bracket, Fltr, Oil	1
7	76956	(001424-001505 )	Screw, Hex, .31-18 X 1.25, 5	3
8	380547	(001424-001505 )	Adaptor, Fltr, Oil, Rework	1
9	73292	(001424-001505 )	Seal, O-Ring	1
10	380548	(001424-001505 )	Fitting, Adaptor, Fltr, Oil, Rework	1
11	73293	(001424-001505 )	Gasket	1
12	16472	(001424-001505 )	Fitting, Hyd, E45, Jm06/Jf06	2
13	47512	(001424-001505 )	Fitting, Hyd, E90, Jm06/Om08	2
14	62878	(001424-001505 )	Hose, Hyd,Low06, Jf06str /Jf06str , 22.0	2
15	32491	(001424-001505 )	Washer, Flt, .31 Std	6
16	32983	(001424-001505 )	Nut, Hex, Lock, .31-18, NI	3
17	371602	(001424-001505 )	Fitting, Pipe, E90, .75-16	1
18	371603	(001424-001505 )	Hose, Oil Drain	1
19	34365	(001424-001505 )	Fitting, Hyd, E90, Jm08/Jm08 Bh	1
20	60090	(001424-001505 )	Fitting, Hyd, Cap Jf08	1
21	82829	(001424-001505 )	Clamp, Cable, Stl, 0.63d X 0.75w, 1h	1
22	42370	(001424-001505 )	Screw, Hex, .31-18 X 1.25, Ss	1
23	01685	(001424-001505 )	Washer, Flt, .31 Ss	1
24	41437	(001424-001505 )	Nut, Hex, Lock, .31-18, NI, Ss	1

**Fig. 6 - Engine Muffler Group, Diesel (001424-001505)**

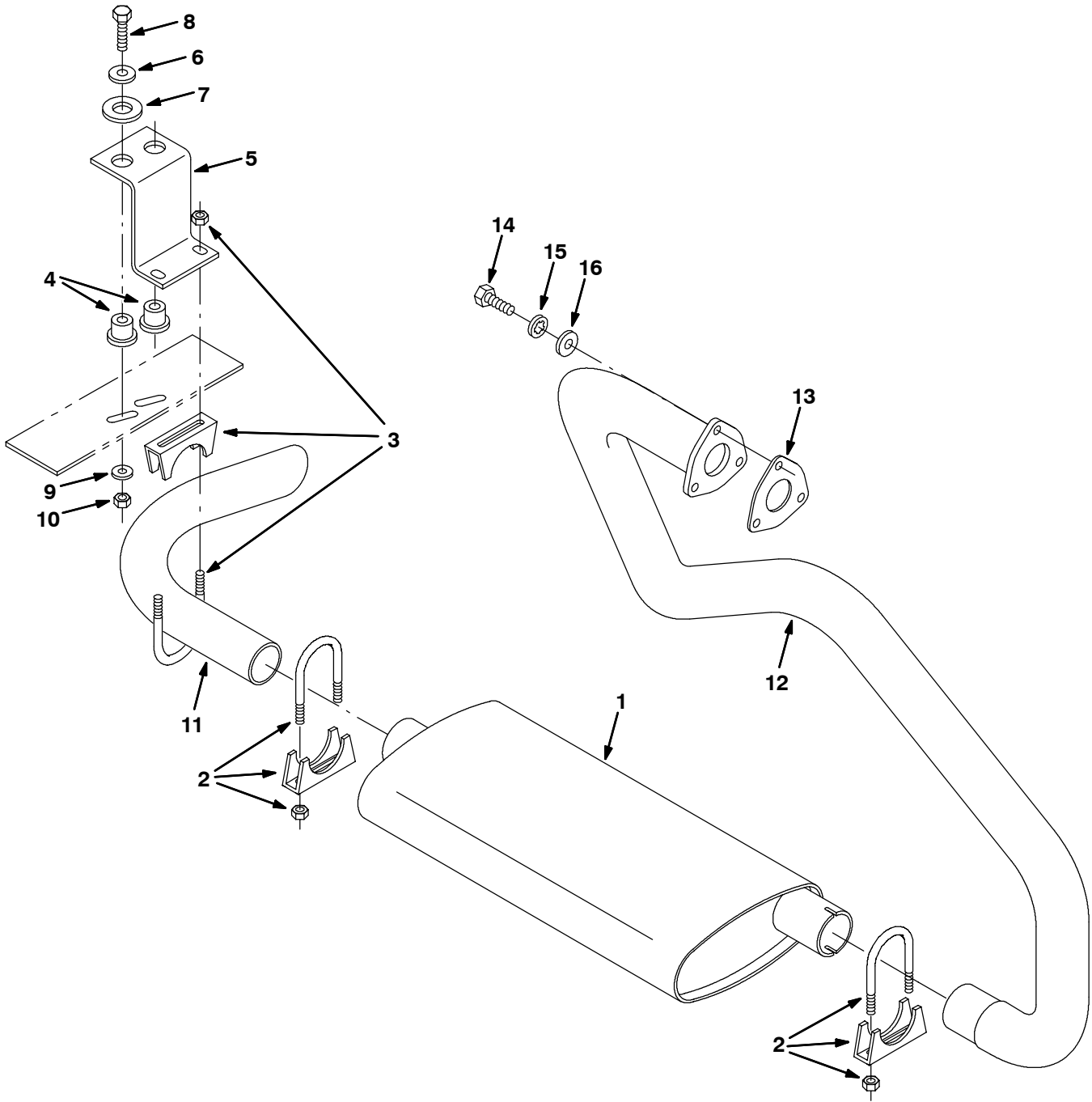


Fig. 6 - Engine Muffler Group, Diesel (001424-001505)

Ref.	Part No.	Serial Number	Description	Qty.
1	21726	(001424-001505 )	Muffler, Exhaust	1
2	05880	(001424-001505 )	Clamp, Muffler, 1.88d	1
3	24012-1	(001424-001505 )	Clamp, Muffler, 1.75d	2
4	54274	(001424-001505 )	Isolator, Vib, Bshg, 1.1d 0.6l .4b 0.78h	2
5	12959	(001424-001505 )	Bracket, Pipe, Exhaust	1
6	32492	(001424-001505 )	Washer, Flt, .38 Std	2
7	39350	(001424-001505 )	Washer, Flt, .75 Sae	2
8	76957	(001424-001505 )	Screw, Hex, .31-18 X 1.50, 5	2
9	32491	(001424-001505 )	Washer, Flt, .31 Std	2
10	32983	(001424-001505 )	Nut, Hex, Lock, .31-18, NI	2
11	392543	(001424-001505 )	Tube, Exhaust, 1.8d 1.8od Cut-45 E105	1
12	392549	(001424-001505 )	Tube, Exhaust, 2.0d Flared W/FIng	1
13	370827	(001424-001505 )	Gasket	1
14	21198	(001424-001505 )	Screw, Hex, .38-16 X 1.25, 5	3
15	32988	(001424-001505 )	Washer, Lock, Int, .38	3
16	32485	(001424-001505 )	Washer, Flat, .38 Sae	3

**Fig. 7 - Engine Muffler Group, Diesel (001508- )**

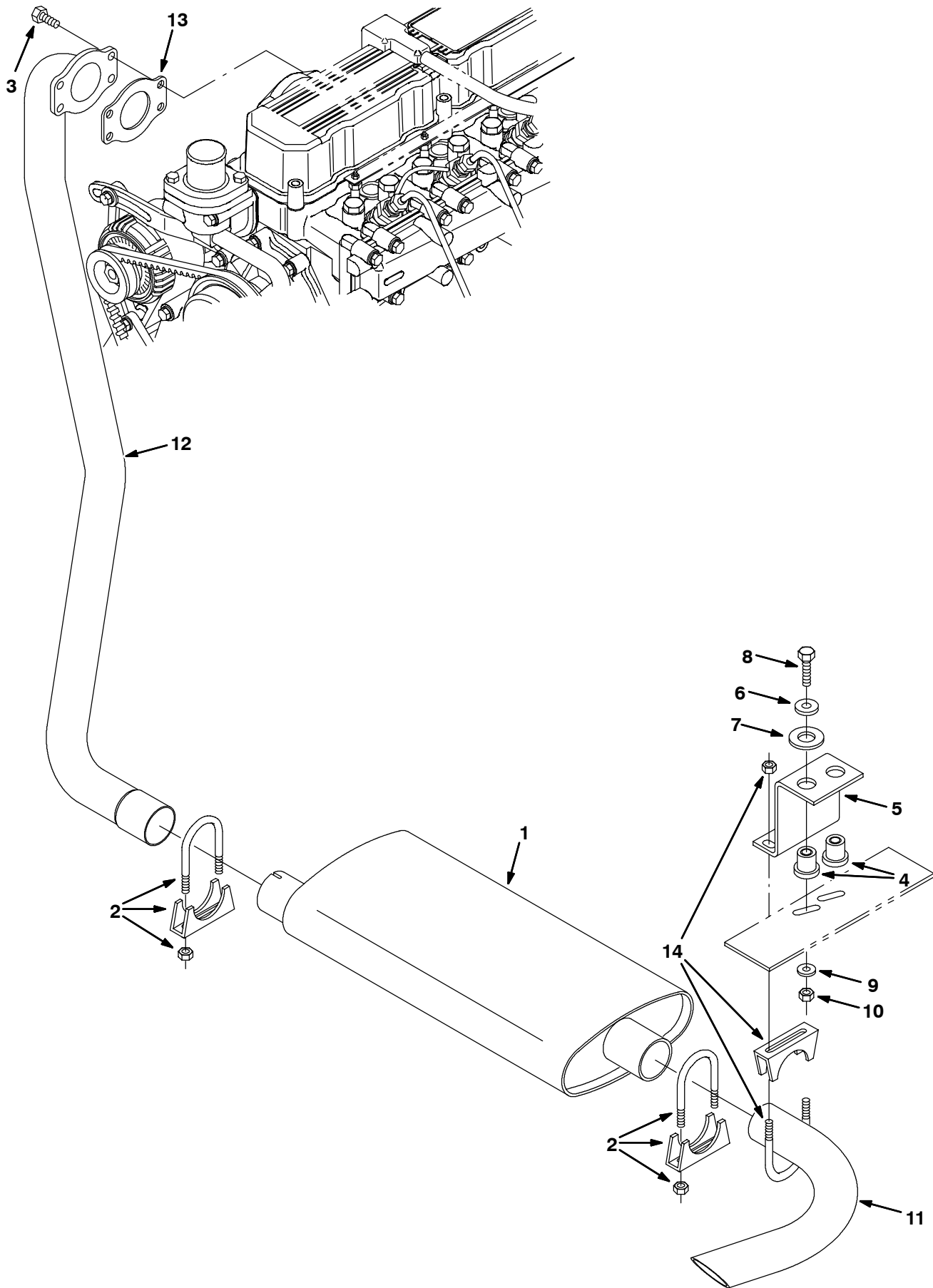
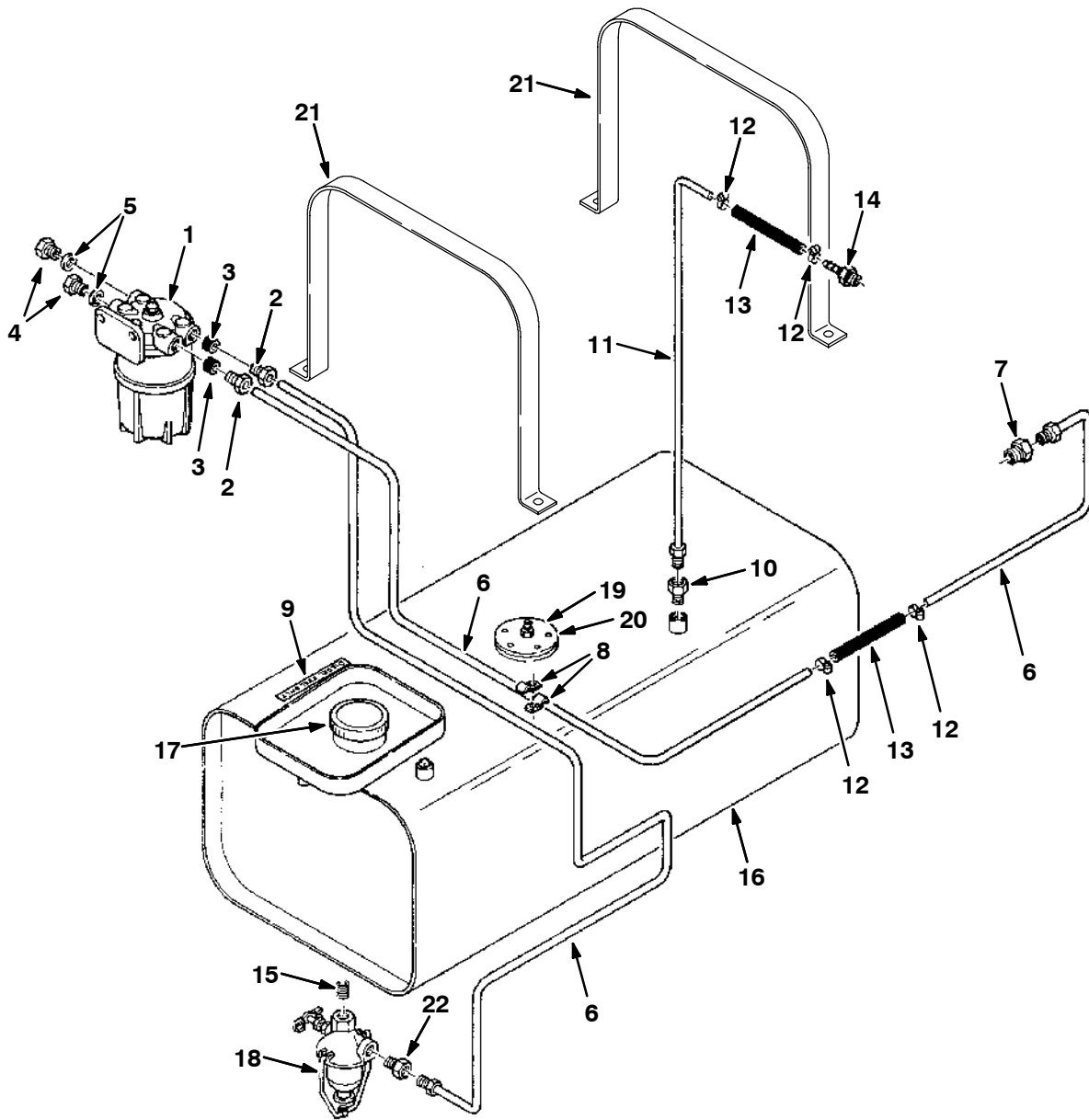


Fig. 7 - Engine Muffler Group, Diesel (001508- )

Ref.	Part No.	Serial Number	Description	Qty.
1	21726	(001508-	) Muffler, Exhaust	1
2	05880	(001508-	) Clamp, Muffler, 1.88d	2
3	16735	(001508-	) Screw, Hex, M8 X 1.25 X 16, 8.8	4
4	1013590	(001508-	) Isolator, Vib, Bshg, 1.1d 0.6l .4b 0.78h	2
5	12959	(001508-	) Bracket, Pipe, Exhaust	1
6	32492	(001508-	) Washer, Flat, 0.38 Std	2
7	39350	(001508-	) Washer, Flat, 0.75 Sae	2
8	76957	(001508-	) Screw, Hex, .31-18 X 1.50, 5	2
9	32491	(001508-	) Washer, Flat, 0.31 Std	2
10	32983	(001508-	) Nut, Hex, Lock, .31-18, NI	1
11	392543	(001508-	) Tube, Exhaust, 1.8d 1.8od Cut-45 E105	1
12	1012146	(001508-	) Tube, Exhaust [550d]	1
13	372678	(001508-	) Gasket, Exhaust	1
14	24012-1	(001508-	) Clamp, Muffler, 1.75d	1

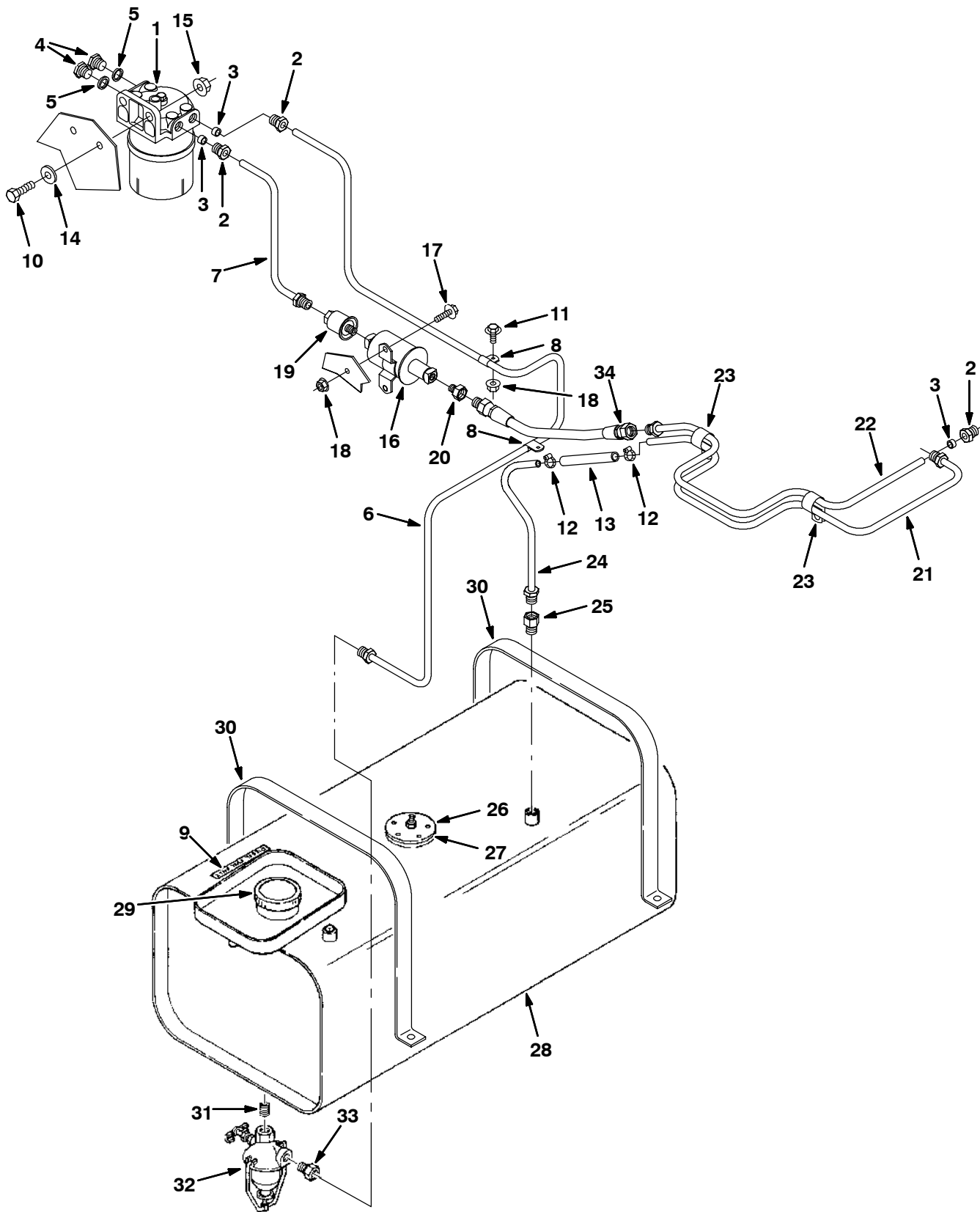
**Fig. 8 - Engine Fuel Tank Group, Diesel (001000-001423)**



**Fig. 8 - Engine Fuel Tank Group, Diesel (001000-001423)**

<b>Ref.</b>	<b>Part No.</b>	<b>Serial Number</b>	<b>Description</b>	<b>Qty.</b>	
1	52770-8	(001000-001423 )	Watertrap, Fuel	1	
2	32587	(001000-001423 )	Nut, Water Trap	2	
3	32590	(001000-001423 )	Olive, Rubber	2	
4	32436	(001000-001423 )	Plug, Sealing	2	
5	32435	(001000-001423 )	Washer, Sealing	2	
6	16562	(001000-001423 )	Tube Assembly	2	
7	16713	(001000-001423 )	Fitting, Straight	1	
8	46236	(001000-001423 )	Clamp, Cable	2	
9	45850	(001000-001423 )	Decal, Diesel Fuel Only	1	
10	391823	(001000-001423 )	Fitting, Connector	1	
11	16563	(001000-001423 )	Tube Assembly	1	
12	43844	(001000-001423 )	Clamp, Worm Drive	4	
13	32808	(001000-001423 )	Hose, Fuel Line	2	
14	61686	(001000-001423 )	Fitting, Straight	1	
15	47566	(001000-001423 )	Connector	1	
▽	16	03977	(001000-001423 )	Tank, Fuel	1
▲	17	48267	(001000-001423 )	Cap, Fuel Tank	1
	18	04601	(001000-001423 )	Strainer, Fuel	1
	19	07875	(001000-001423 )	Sending Unit, Fuel Tank	1
	20	14131	(001000-001423 )	Gasket	1
	21	04020	(001000-001423 )	Clamp, Fuel Tank	2
	22	40585	(001000-001423 )	Connector	1

Fig. 9 - Engine Fuel Tank Group, Diesel (001424-001505)

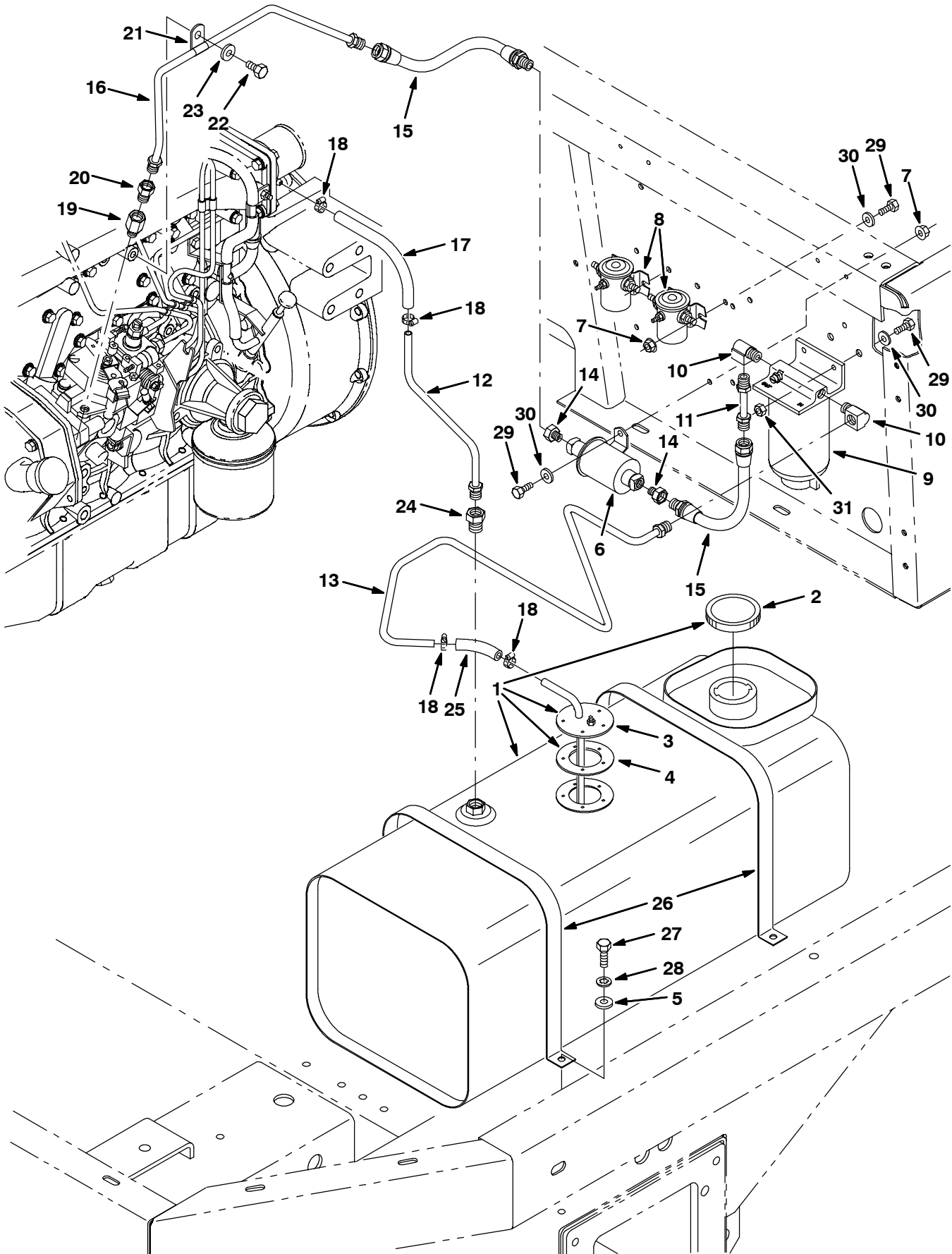




**Fig. 9 - Engine Fuel Tank Group, Diesel (001424-001505)**

	<b>Ref.</b>	<b>Part No.</b>	<b>Serial Number</b>	<b>Description</b>	<b>Qty.</b>
▽	1	52770-8	(001424-001505 )	Watertrap	1
▲		52770-9	(001424-001505 )	Element, Fltr, Fuel	1
	2	32587	(001424-001505 )	Nut	3
	3	32590	(001424-001505 )	Olive, Rubber	3
	4	32436	(001424-001505 )	Fitting, Plug, .50-20 Hex	2
	5	32435	(001424-001505 )	Washer, Sealing, Eng, Dsl	2
	6	392555	(001424-001505 )	Fuelline, .31d 05if/None Stl	1
	7	392548	(001424-001505 )	Fuelline, .31d 05if/None Stl	1
	8	46236	(001424-001505 )	Clamp, Cable, Stl, 0.25d X 0.56w, 1h	2
	9	45850	(001424-001505 )	Label, Caution, [Diesel Fuel Only]	1
	10	21198	(001424-001505 )	Screw, Hex, .38-16 X 1.25, 5	2
	11	16949	(001424-001505 )	Screw, Hex, .25-20 X 0.75, Sems	2
	12	43844	(001424-001505 )	Clamp, Hose, Wormdrive, 0.25-0.62d	2
	13	32808	(001424-001505 )	Hose, Fuel, 0.25id 04.0l	1
	14	32491	(001424-001505 )	Washer, Flt, .31 Std	2
	15	27980	(001424-001505 )	Nut, Hex, Flng, .38-16	2
	16	59015	(001424-001505 )	Pump, Fuel	2
	17	16950	(001424-001505 )	Screw, Hex, .25-20 X 1.00, Sems	1
	18	27979	(001424-001505 )	Nut, Hex, Flng, .31-18	3
	19	36050	(001424-001505 )	Filter, Fuel, In-Line	1
	20	40585	(001424-001505 )	Fitting, Brs, Str, Pm02/lf05	1
	21	392553	(001424-001505 )	Fuelline, .25d None/None Stl	1
	22	392554	(001424-001505 )	Fuelline, .31d 05if/None Stl	1
	23	49287	(001424-001505 )	Clamp, Cable, Stl, 0.75d X 0.88w, 1h	2
	24	16563	(001424-001505 )	Tube Assembly	1
	25	391823	(001424-001505 )	Fitting, Connector	1
	26	07875	(001424-001505 )	Sending Unit, Fuel Tank	1
	27	14131	(001424-001505 )	Gasket	1
▽	28	03977	(001424-001505 )	Tank, Fuel	1
▲	29	48267	(001424-001505 )	Cap, Fuel Tank	1
	30	04020	(001424-001505 )	Clamp, Fuel Tank	2
	31	47566	(001424-001505 )	Connector	1
	32	04601	(001424-001505 )	Strainer, Fuel	1
	33	40585	(001424-001505 )	Connector	1
	34	70173	(001424-001505 )	Hose, Fuel	1

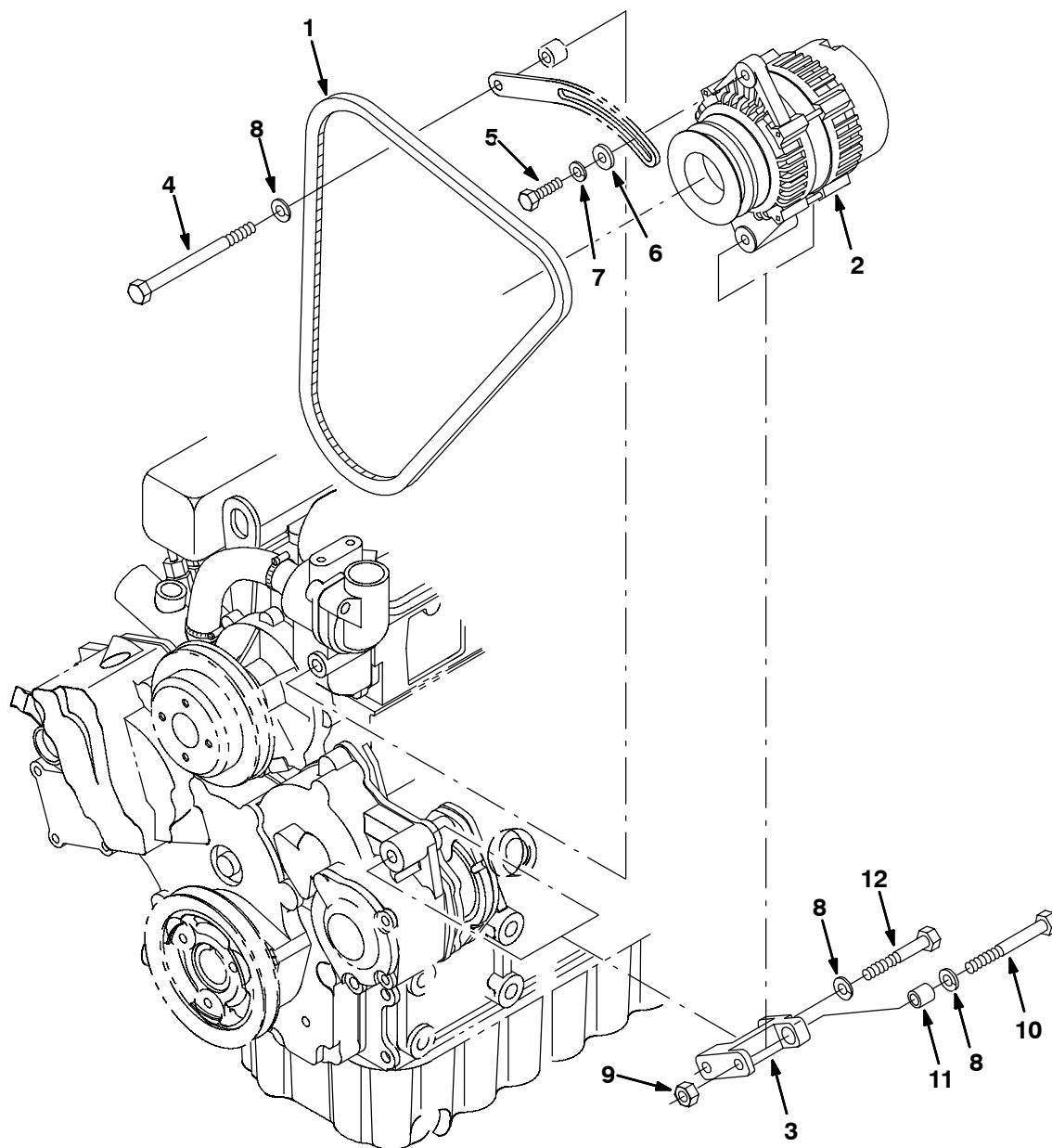
Fig. 10 - Engine Fuel Tank Group, Diesel (001508- )



**Fig. 10 - Engine Fuel Tank Group, Diesel (001508- )**

	<b>Ref.</b>	<b>Part No.</b>	<b>Serial Number</b>	<b>Description</b>	<b>Qty.</b>
▽	1	1012112	(001508-	) Tank, Fuel, 12 Gas 11.5 10.0 27.0	1
▲	2	48267	(001508-	) Cap, Tank, Fuel, 2.3neck 2.6d	1
▲	3	372941	(001508-	) Send-unit, Fuel	1
▲	4	1033897	(001508-	) Gasket, Sender, Fuel	1
	5	32491	(001508-	) Washer, Flat, 0.31 Std	4
	6	59015	(001508-	) Pump, Fuel	1
	7	27978	(001508-	) Nut, Hex, Flng, .25-20	5
	8	375117	(001508-	) Relay, 12vdc, 100a, Spdt N/O [Camdec]	2
▽	9	1016827	(001508-	) Filter Assy, Fuel, Dsl	1
▲		1017126	(001508-	) Element, Fltr, Fuel	1
	10	15555-2	(001508-	) Fitting, Brs, E90, lf05/Pm04	2
	11	382266	(001508-	) Fuelline, .31d 03.1l 05if/05if Stl	1
	12	392548	(001508-	) Fuelline, .31d 05if/None Stl	1
	13	1011917	(001508-	) Fuelline, Dsl [550]	1
	14	40585	(001508-	) Fitting, Brs, Str, lf05/Pm02	2
	15	70173	(001508-	) Hose, 0050, 04, lm05str /lf05str , 10.0	2
	16	1011916	(001508-	) Fuelline, Dsl [550]	1
	17	82686	(001508-	) Hose, Fuel, 0.25id 08.0l	1
	18	43844	(001508-	) Clamp, Hose, Wormdrive, 0.25-0.62d, .31w	4
	19	1012738	(001508-	) Fitting, Hyd, Str, Metric, Om12/Pf04	1
	20	78043	(001508-	) Fitting, Brs, Str, lf05/Pm04	1
	21	380770	(001508-	) Clamp, Cable, Stl, 0.31d X 0.88w	1
	22	16931	(001508-	) Screw, Hex, M8 X 1.25 X 20, 8.8	1
	23	39349	(001508-	) Washer, Flat, 0.31 Sae	1
	24	78043	(001508-	) Fitting, Brs, Str, lf05/Pm04	1
	25	82526	(001508-	) Hose, Fuel, 0.31id 03.0l	1
	26	04020	(001508-	) Strap	2
	27	76955	(001508-	) Screw, Hex, .31-18 X 1.00, 5	4
	28	32984	(001508-	) Washer, Lock, Int, .31	4
	29	19316	(001508-	) Screw, Hex, .25-20 X 0.62, 5	7
	30	32483	(001508-	) Washer, Flat, 0.25 Sae	7
	31	32981	(001508-	) Nut, Hex, Lock, .25-20, NI	2

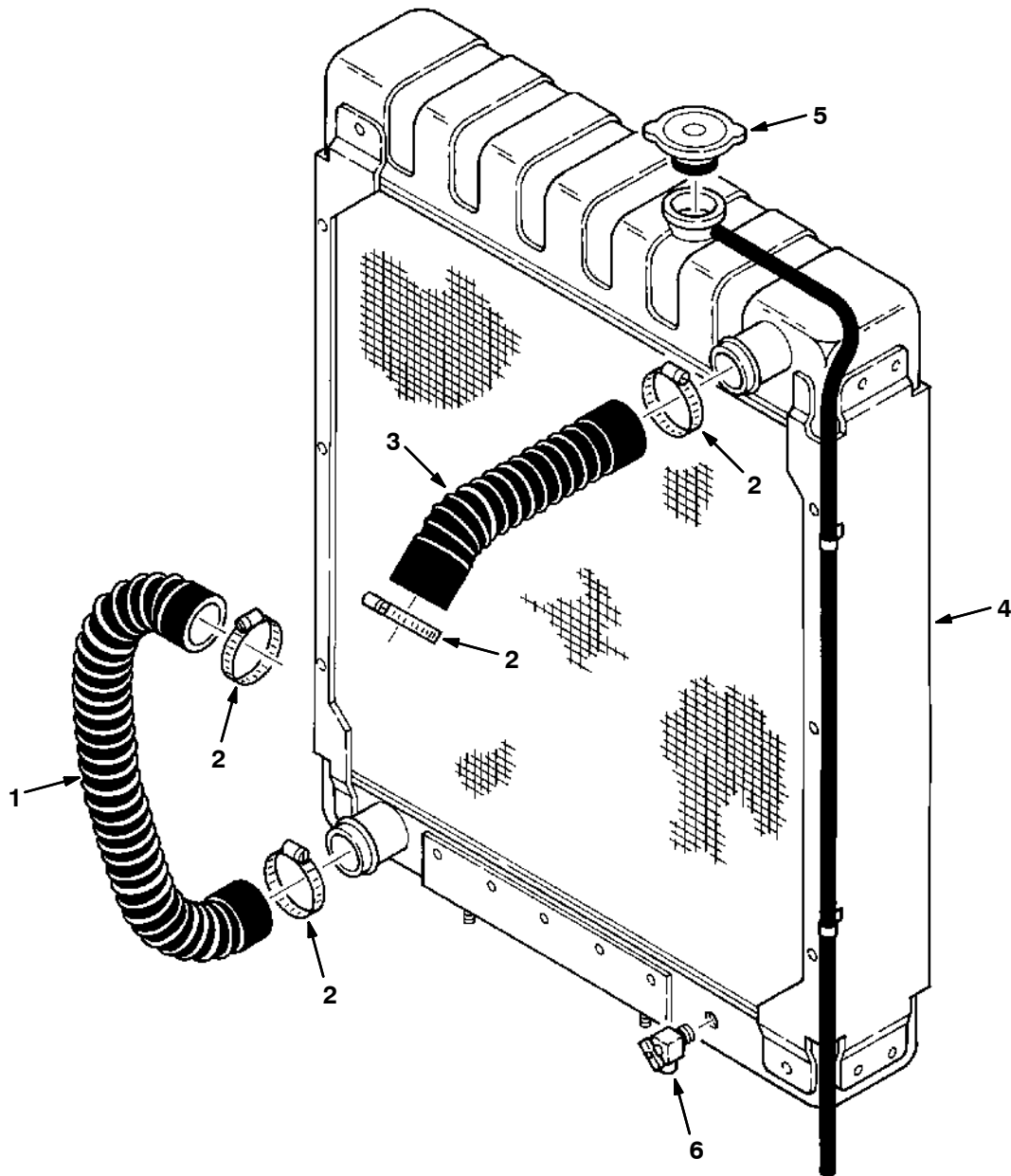
**Fig. 11 - Engine Alternator Group, Diesel (001424-001505)**



353666 - 550. 1550, D

Ref.	Part No.	Serial Number	Description	Qty.
1	371601	(001424-001505 )	Belt, Alternator	1
2	371598	(001424-001505 )	Alternator	1
3	371599	(001424-001505 )	Mount, Hsng, Alternator	1
4	371620	(001424-001505 )	Screw, Hex, M10-1.50 X 130, 5	1
5	76570	(001424-001505 )	Screw, Hex, M08 X 1.25 X 30, 8.8	1
6	32491	(001424-001505 )	Washer, Flt, .31 Std	1
7	393994	(001424-001505 )	Washer, Lock, .31	1
8	371614	(001424-001505 )	Washer, Lock, M10	3
9	371613	(001424-001505 )	Nut, M10-1.50	1
10	371615	(001424-001505 )	Screw, Hex, M10-1.50 X 90, 8.8	1
11	371597	(001424-001505 )	Sleeve, Alternator	1
12	16930	(001424-001505 )	Screw, Hex, M10 X 1.5 X 50, 8.8	1

**Fig. 12 - Engine Radiator Group, Diesel (001000-001423)**



02380 - 1550, D

Ref.	Part No.	Serial Number	Description	Qty.
	1	25179	(001000-001423 ) Hose, Radiator	1
	2	11531	(001000-001423 ) Clamp, Worm Drive	4
	3	16820	(001000-001423 ) Hose, Radiator	1
▽	4	61611	(001000-001423 ) Radiator	1
▲	5	51321-3	(001000-001423 ) Cap, Radiator	1
	6	51305	(001000-001423 ) Cock, Drain	1

**Fig. 13 - Engine Radiator and Hydraulic Cooler Group, Diesel (001424-001505)**

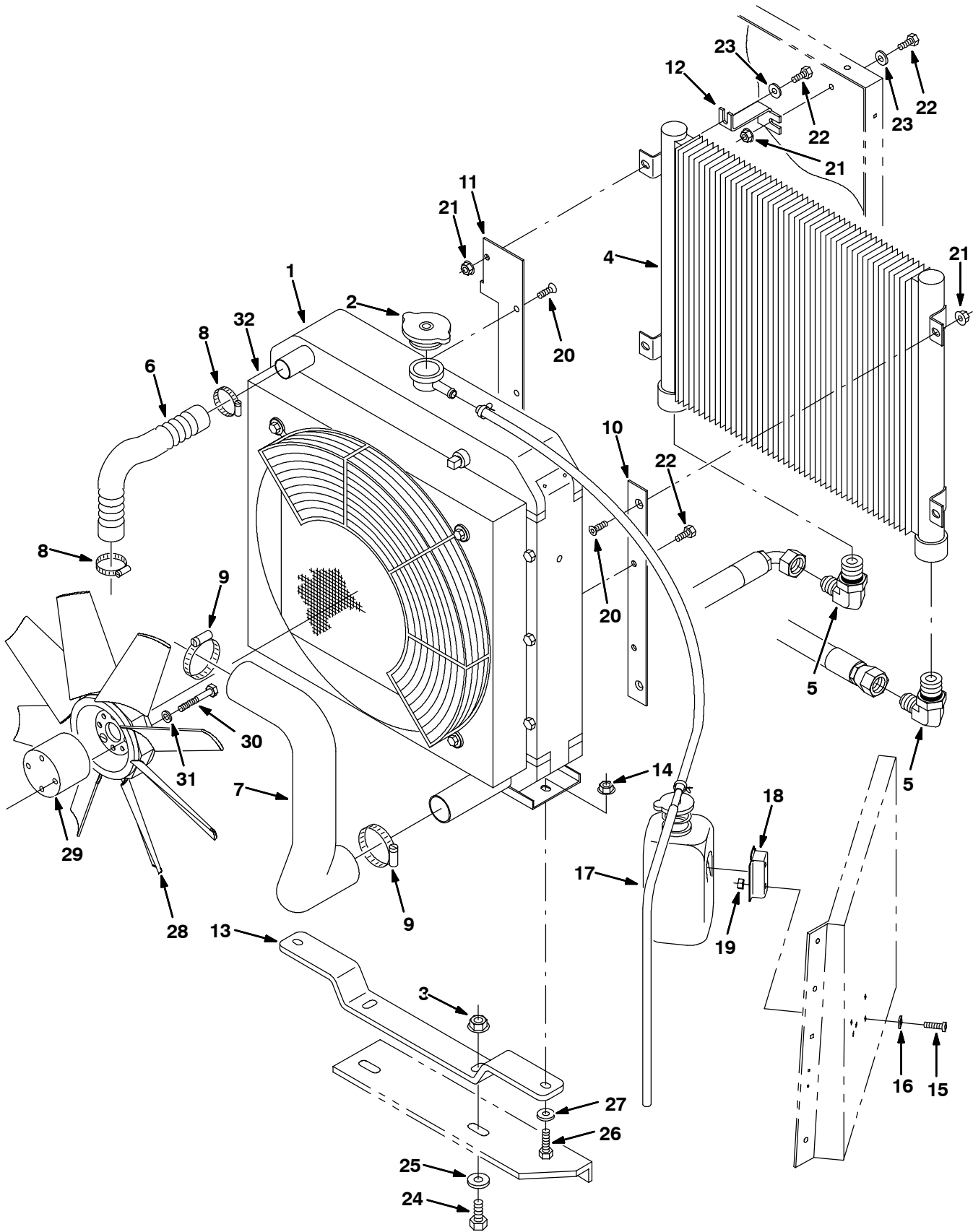
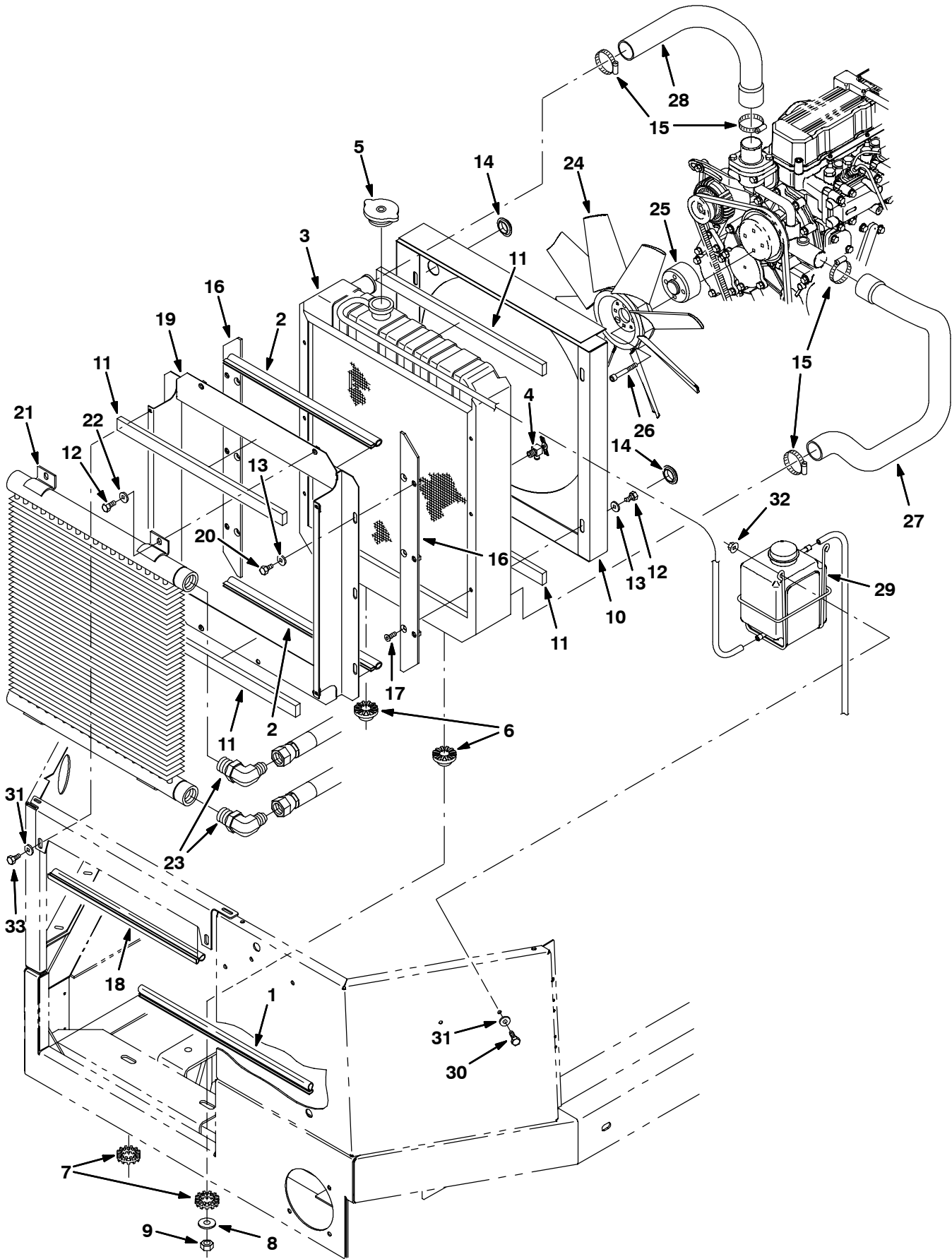


Fig. 13 - Engine Radiator and Hydraulic Cooler Group, Diesel (001424-001505)

Ref.	Part No.	Serial Number	Description	Qty.
1	371635	(001424-001505 )	Radiator	1
2	368132	(001424-001505 )	Cap, Radiator, 15psi	1
3	27981	(001424-001505 )	Nut, Hex, Flng, .50-13	2
4	73106	(001424-001505 )	Cooler, Hyd 25gpm 400btu Of16 19x18x2	1
5	52911	(001424-001505 )	Fitting, Hyd, E90, Jm12/Om16	2
6	371594	(001424-001505 )	Hose, Radiator, Upper	1
7	371595	(001424-001505 )	Hose, Radiator, Lower	1
8	11399	(001424-001505 )	Clamp, Hose, Wormdrive, 0.81-1.50d	2
9	20983	(001424-001505 )	Clamp, Hose, Wormdrive, 3.25-4.12d	2
10	392534	(001424-001505 )	Strip, Cooler, Mtg	1
11	392530	(001424-001505 )	Strip, Cooler, Mtg	1
12	392544	(001424-001505 )	Bracket, Radiator	1
13	371747	(001424-001505 )	Bracket, Radiator	1
14	27980	(001424-001505 )	Nut, Hex, Flng, .38-16	2
15	09164	(001424-001505 )	Screw, Pan, M06 X 1.0 X 20, 4.8	2
16	32490	(001424-001505 )	Washer, Flt, .25 Std	2
17	87972	(001424-001505 )	Tank, Recovery	1
18	382507	(001424-001505 )	Bracket, Mtg, Overflow	1
19	08708	(001424-001505 )	Nut, Hex, Lock, M06 X 1.0, NI	2
20	45299	(001424-001505 )	Screw, Flt, .31-18 X 0.75, Al	4
21	27979	(001424-001505 )	Nut, Hex, Flng, .31-18	5
22	54395	(001424-001505 )	Screw, Hex, .31-18 X 0.62, 5	5
23	32491	(001424-001505 )	Washer, Flt, .31 Std	2
24	39810	(001424-001505 )	Screw, Hex, .50-13 X 1.25, 5	2
25	32493	(001424-001505 )	Washer, Flt, .50 Std	2
26	21198	(001424-001505 )	Screw, Hex, .38-16 X 1.25, 5	2
27	32492	(001424-001505 )	Washer, Flt, .38 Std	2
28	375585	(001424-001505 )	Fan, Cooling, 18.0d, 8 Blade, 2.2d Bc	1
29	371596	(001424-001505 )	Spacer, Fan, 2.50	1
30	371623	(001424-001505 )	Screw, M6-1.0 X 85	4
31	371621	(001424-001505 )	Washer, Lock, M6	4
32	371644	(001424-001505 )	Box, Radiator	1

**Fig. 14 - Engine Radiator and Hydraulic Cooler Group, Diesel (001508- )**

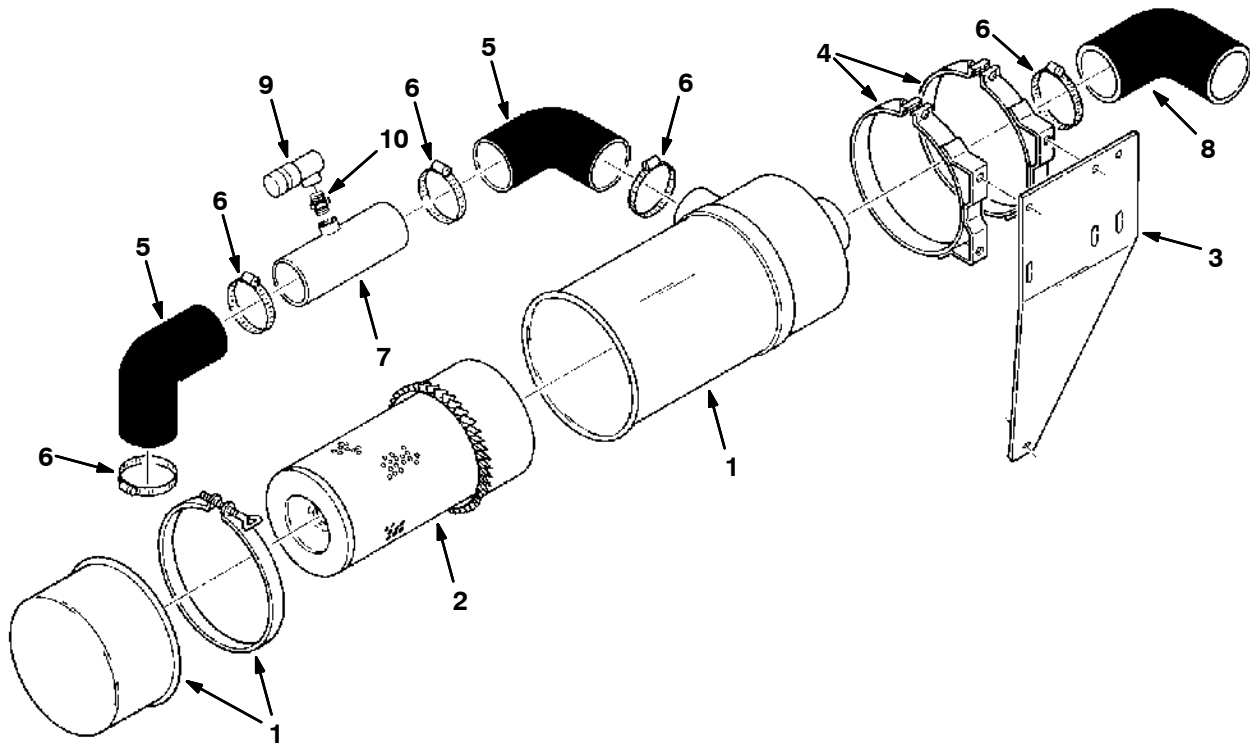




**Fig. 14 - Engine Radiator and Hydraulic Cooler Group, Diesel (001508- )**

Ref.	Part No.	Serial Number	Description	Qty.
1	77342	(001508-	) Seal, Bulb, 90, 1.33 .06-.09grip 026.0l	1
2	365356	(001508-	) Seal, Bulb, 90, 1.33 .06-.09grip 017.0l	2
3	61608	(001508-	) Radiator	1
4	51305	(001508-	) Fitting, Draincock, .25npt 90	1
5	368132	(001508-	) Cap, Radiator, 15psi, [Stant A02502]	1
6	64621	(001508-	) Isolator, Vib, Bshg, 1.9d 0.9l .6b 1.16h	2
7	64618	(001508-	) Isolator, Vib, Ring, 1.9d 0.5l 1.3b	2
8	32493	(001508-	) Washer, Flat, 0.50 Std	2
9	32985	(001508-	) Nut, Hex, Lock, .50-13, NI	2
10	9001223	(001508-	) Shroud Wldt, Fan, Dsl [550], W/Label	1
11	63818	(001508-	) Seal, Ure, 0.75 1.12w 19.0l Adh	4
12	54395	(001508-	) Screw, Hex, .31-18 X 0.62, 5	8
13	32491	(001508-	) Washer, Flat, 0.31 Std	10
14	50967	(001508-	) Button, Plug, 1.25h .03-.08 [Black Poly]	4
15	11531	(001508-	) Clamp, Hose, Wormdrive, 1.06-2.00d, .56w	4
16	1014573	(001508-	) Strip, Mtg, Cooler	2
17	39537	(001508-	) Screw, Flt, .31-18 X 0.50, Al	6
18	10576	(001508-	) Seal, Bulb, 90, 0.50d .06-.09grip 022.5l	1
19	1014394	(001508-	) Shroud Wldt, Radiator / Hyd Cooler	1
20	54394	(001508-	) Screw, Hex, .31-18 X 0.50, 5	6
21	73106	(001508-	) Cooler, Hyd, 30gpm 800btu	1
22	39349	(001508-	) Washer, Flat, 0.31 Sae	4
23	52911	(001508-	) Fitting, Hyd, E90, Jm12/Om16	2
24	375585	(001508-	) Fan, Cooling, 18.0d, 8 Blade, 2.2d Bc	1
25	1011002	(001508-	) Spacer, Fan	1
26	09294	(001508-	) Screw, Soc, M8 X 1.25 X 60, 12.9	4
27	1012148	(001508-	) Hose, Radiator, Lower [550d]	1
28	1012147	(001508-	) Hose, Radiator, Upper [550d]	1
29	768897	(001508-	) Tank, Coolant, 06.0 04.5 06.9deep 2.5 Qt	1
30	25046	(001508-	) Screw, Hex, .25-20 X 1.00, 5	2
31	32490	(001508-	) Washer, Flat, 0.25 Std	4
32	27978	(001508-	) Nut, Hex, Flng, .25-20	2
33	19316	(001508-	) Screw, Hex, .25-20 X 0.62, 5	2

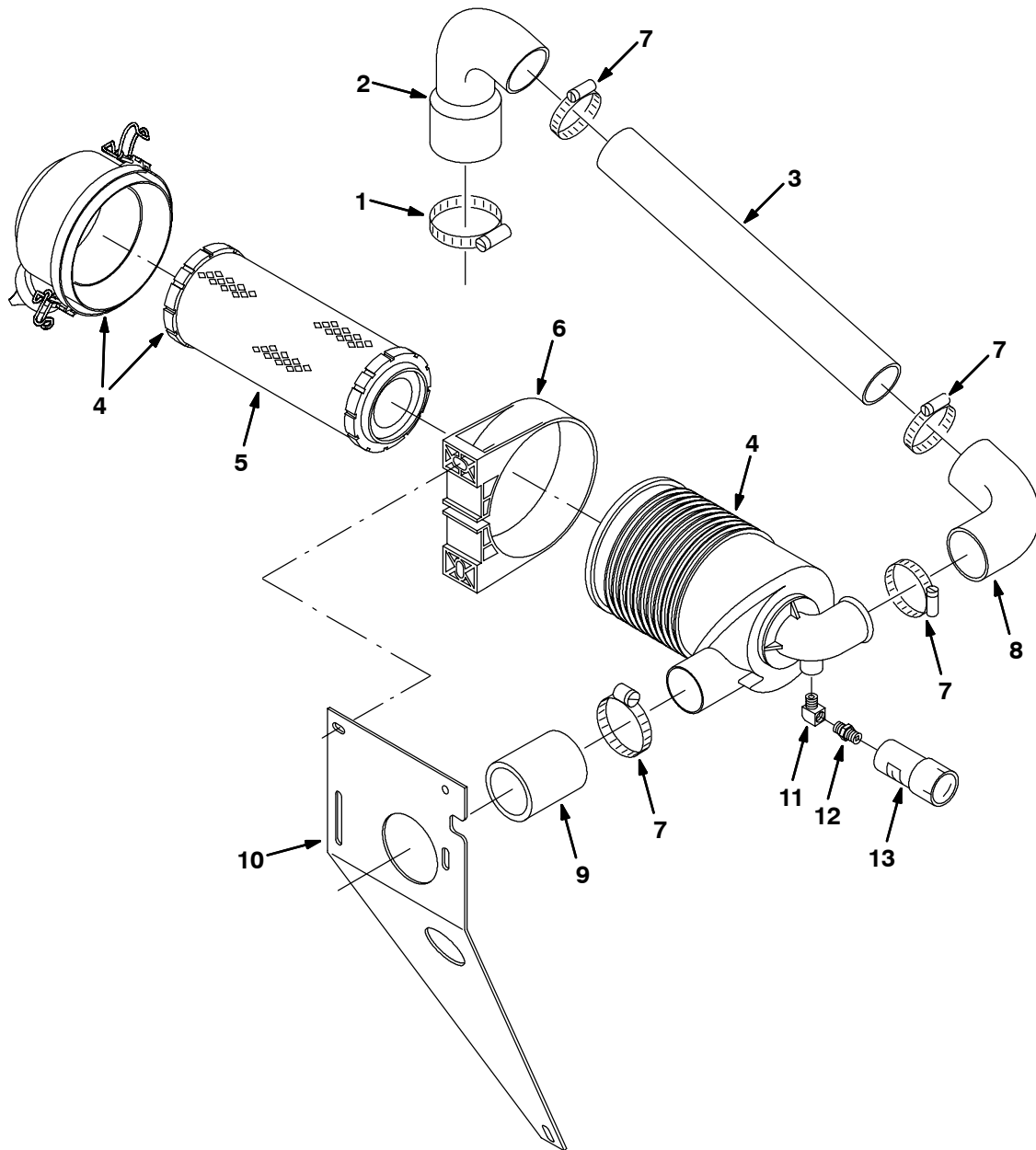
**Fig. 15 - Engine Air Cleaner Group, Diesel (001000-001423)**



09880 - 550, 1550, D

Ref.	Part No.	Serial Number	Description	Qty.
▽ 1	76319	(001000-001423 )	Air Cleaner	1
▲ 2	76335	(001000-001423 )	Element, Air Cleaner	1
3	76332	(001000-001423 )	Brace, Rear Panel	1
4	76321	(001000-001423 )	Band, Air Cleaner	2
5	52580-2	(001000-001423 )	Elbow, 90°	2
6	14432	(001000-001423 )	Clamp, Worm Drive	5
7	391846	(001000-001423 )	Tube, Air Cleaner	1
8	16497	(001000-001423 )	Elbow	1
9	51658-5	(001000-001402 )	Indicator, Filter Service	1
10	51560-5	(001000-001402 )	Adapter, Filter, 1/8NPT	1

**Fig. 16 - Engine Air Cleaner Group, Diesel (001424-001505)**



353670 - 550, 1550, D

Ref.	Part No.	Serial Number	Description	Qty.
1	43555	(001424-001505 )	Clamp, Hose, Wormdrive, 1.62-3.50d	1
2	371607	(001424-001505 )	Hose, Rbr, E90	1
3	371581	(001424-001505 )	Pipe, Air Cleaner	1
▽ 4	369745	(001424-001505 )	Filter, Air Cleaner Assembly	1
▲ 5	369746	(001424-001505 )	Element, Filtr, Air	1
6	369747	(001424-001505 )	Clamp, Mounting, Air Cleaner	1
7	22297	(001424-001505 )	Clamp, Hose, Wormdrive, 1.56-2.50d	4
8	10509	(001424-001505 )	Hose, Rbr, E90 2.00id 2.00id 03.5 2.3	1
9	15543	(001424-001505 )	Hose, Rbr, 2.00id 2.50od 03.0l	1
10	369751	(001424-001505 )	Brace, Rear Shroud	1
11	11984	(001424-001505 )	Fitting, Pipe, E90, Pm02/Pf02	1
12	51560-5	(001424-001505 )	Fitting, Brs, Str, 02mp, Service	1
13	03026	(001424-001505 )	Indicator, Air Filter	1

**Fig. 17 - Engine Air Cleaner Group, Diesel (001508- )**

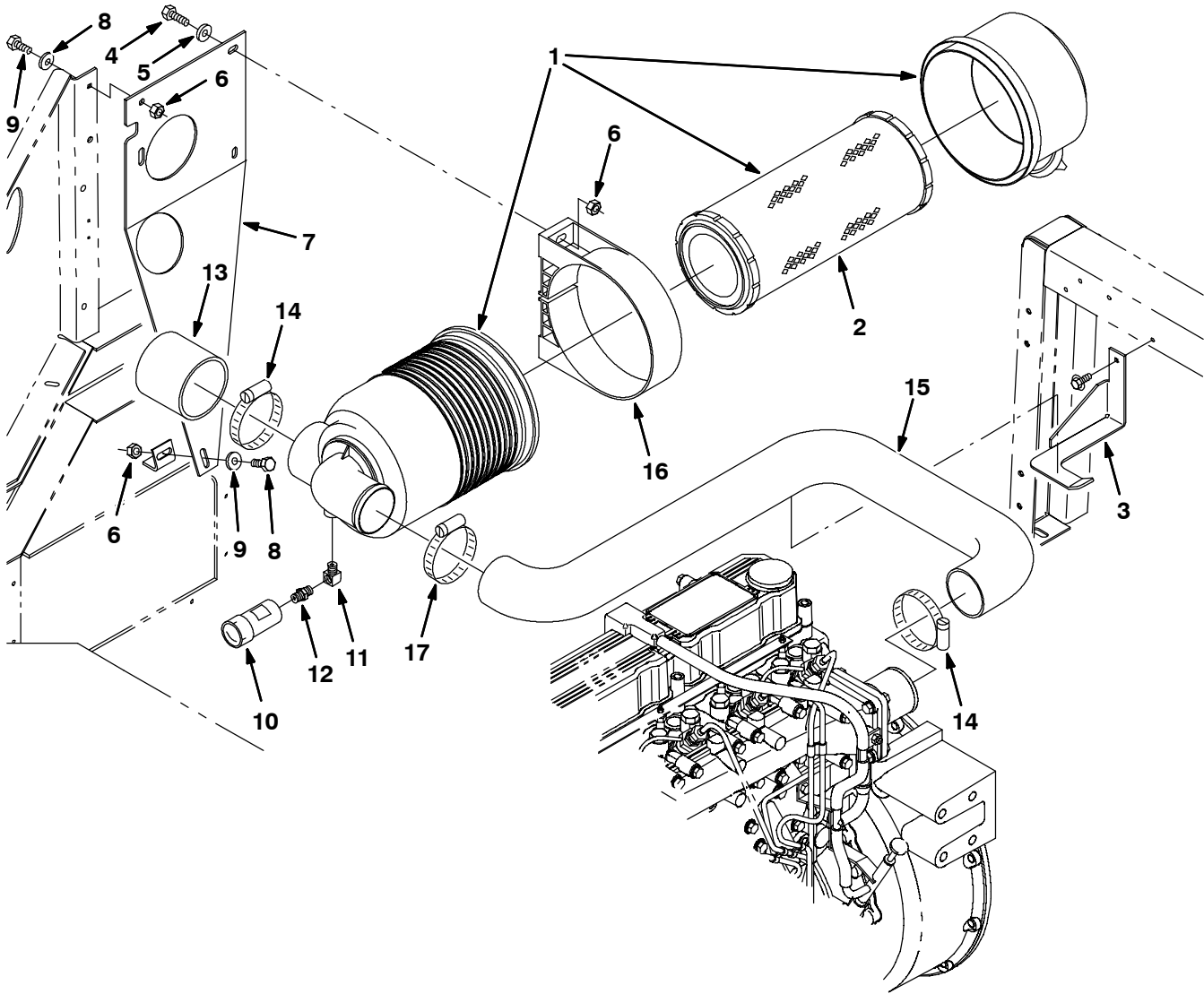
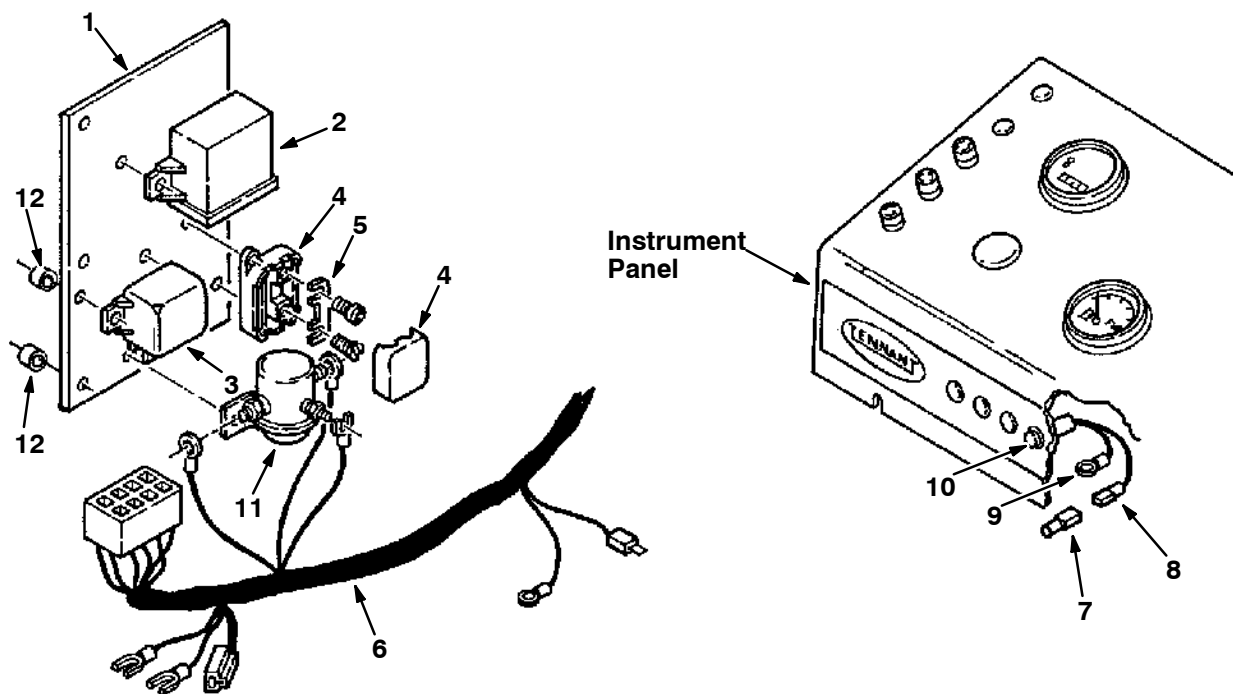


Fig. 17 - Engine Air Cleaner Group, Diesel (001508- )

	Ref.	Part No.	Serial Number	Description	Qty.
▽	1	1013334	(001508-	) Filter, Air-Clnr	1
▲	2	372652	(001508-	) Element, Fltr, Air-Clnr	1
	3	1016171	(001508-	) Bracket, Sppt, Hose, Intake	1
	4	76955	(001508-	) Screw, Hex, .31-18 X 1.00, 5	2
	5	39349	(001508-	) Washer, Flat, 0.31 Sae	2
	6	32983	(001508-	) Nut, Hex, Lock, .31-18, NI	5
	7	1012721	(001508-	) Brace, Shrd, Rear, Lh	1
	8	54396	(001508-	) Screw, Hex, .31-18 X 0.75, 5	3
	9	32491	(001508-	) Washer, Flat, 0.31 Std	3
	10	03026	(001508-	) Indicator, Service, Air Filter 20h20 Dn	1
	11	11984	(001508-	) Fitting, Pipe, E90, Pm02/Pf02	1
	12	51560-5	(001508-	) Fitting, Brs, Str, Pm02, Service	1
	13	1015770	(001508-	) Hose, Intake, Mold, 2.50id 2.50id,[Epdm]	1
	14	22297	(001508-	) Clamp, Hose, Wormdrive, 1.56-2.50d, .50w	2
	15	1012149	(001508-	) Hose, Air, Intake [550d]	1
	16	1013367	(001508-	) Mount, Band, Fltr, 6.79id	1
	17	43555	(001508-	) Clamp, Hose, Wormdrive, 1.62-3.50d, .56w	1

Fig. 18 - Engine Glow Plug Control Group, Diesel (001000- 001423)

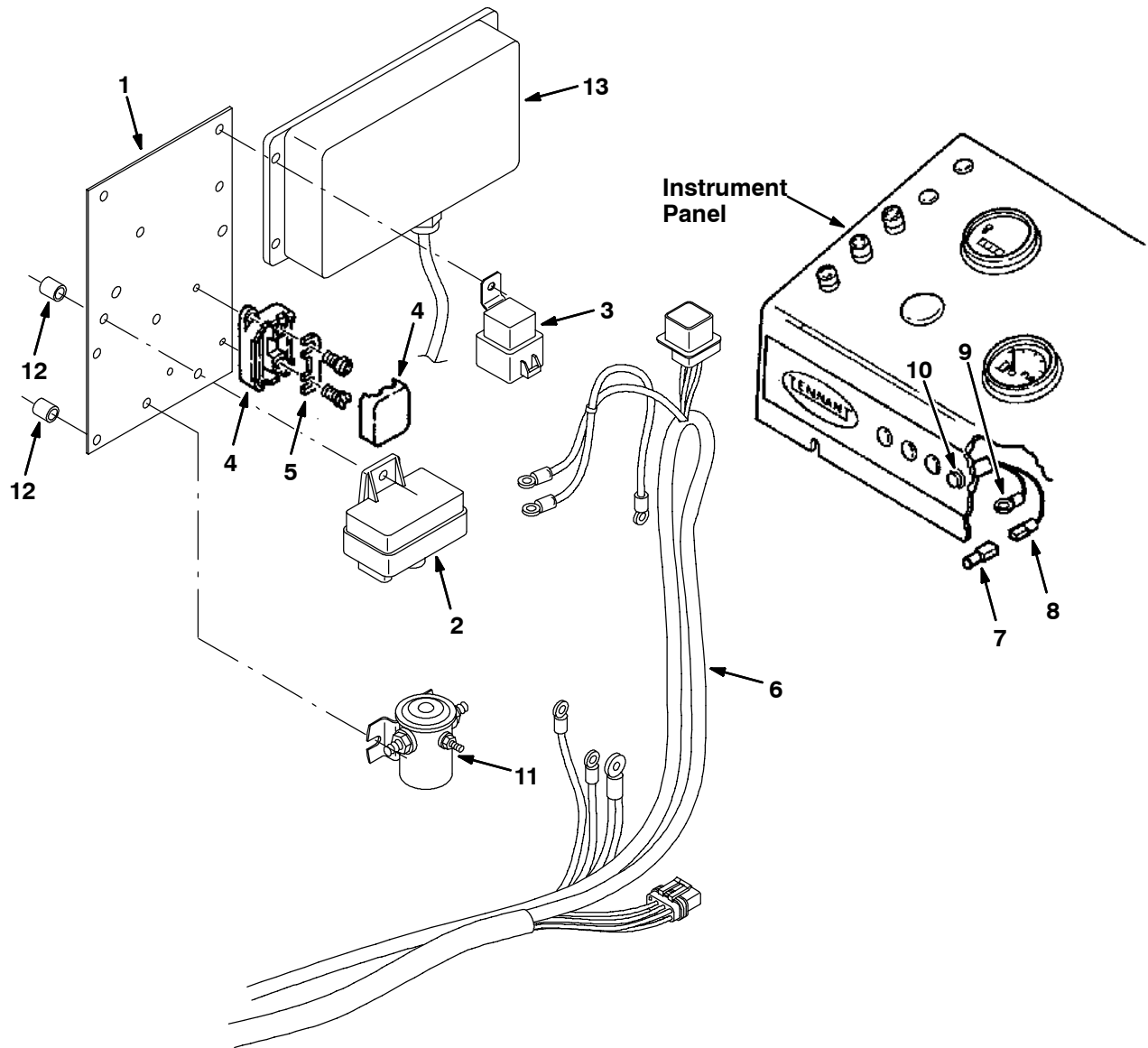


02381 - 550, 1550, D, Cont

Ref.	Part No.	Serial Number	Description	Qty.
1	34841	(001000-001423 )	Plate	1
▽	34866	(001000-001423 )	Control Unit Kit	1
▲	2	34801	(001000-001423 ) Control Unit, Glow Plug	1
▲	3	34804	(001000-001423 ) Relay, Power	1
▲	4	34802	(001000-001423 ) Holder, Fuse	1
▲	5	34803	(001000-001423 ) Fuse, 80 A	1
	6	16848	(001000-001423 ) Control Harness	1
	7	45224	(001000-001423 ) Terminal, Quick-Disconnect	1
	8	45223	(001000-001423 ) Terminal	1
	9	68101	(001000-001423 ) Terminal, Ring	1
	10	374119	(001000-001423 ) Lamp Assy, Indicator, Red, 14Vdc	1
	11	375117	(001000-001423 ) Contactor, 12Vdc	1
	12	53051A	(001000-001423 ) Spacer	2

NOTE: To identify parts shown but not listed here, see Section 6, Standard Parts.

**Fig. 19 - Engine Glow Plug Control Group, Diesel (001424-001505)**

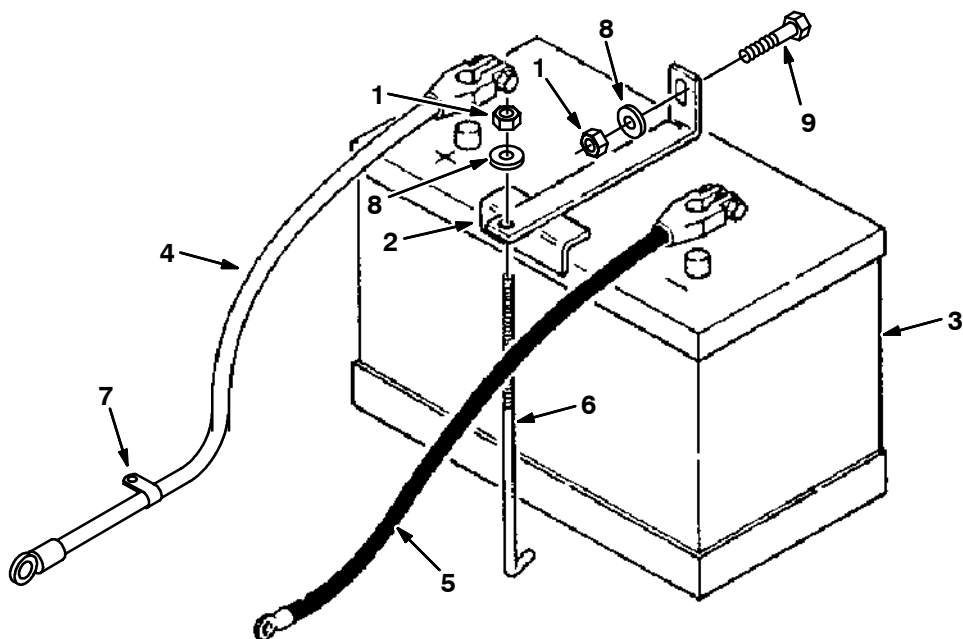


353672 - 02381 - 1550, 550, D, Perk

Ref.	Part No.	Serial Number	Description	Qty.
1	34841	(001424-001505 )	Plate	1
▽	34866	(001424-001505 )	Control Unit Kit	1
▲	2	375676	Controller	1
▲	3	56186	Relay, 12vdc, 40a, Spdt, [Potter]	1
▲	4	34802	Holder, Fuse	1
▲	5	34803	Fuse, 80 A	1
	6	392529	Harness, Engine, Perkins, [550/1550]	1
	7	45224	Terminal, Quick-Disconnect	1
	8	45223	Terminal	1
	9	68101	Terminal, Ring	1
	10	374119	Lamp Assy, Indicator, Red, 14Vdc	1
	11	375117	Contactor, 12Vdc	1
	12	53051A	Spacer	2
	13	374127	Kit, Replmt, Control, Govnr, [All Purpose]	1

*NOTE: To identify parts shown but not listed here, see Section 6, Standard Parts.*

**Fig. 20 - Engine Battery Group, Diesel (001000-001505)**

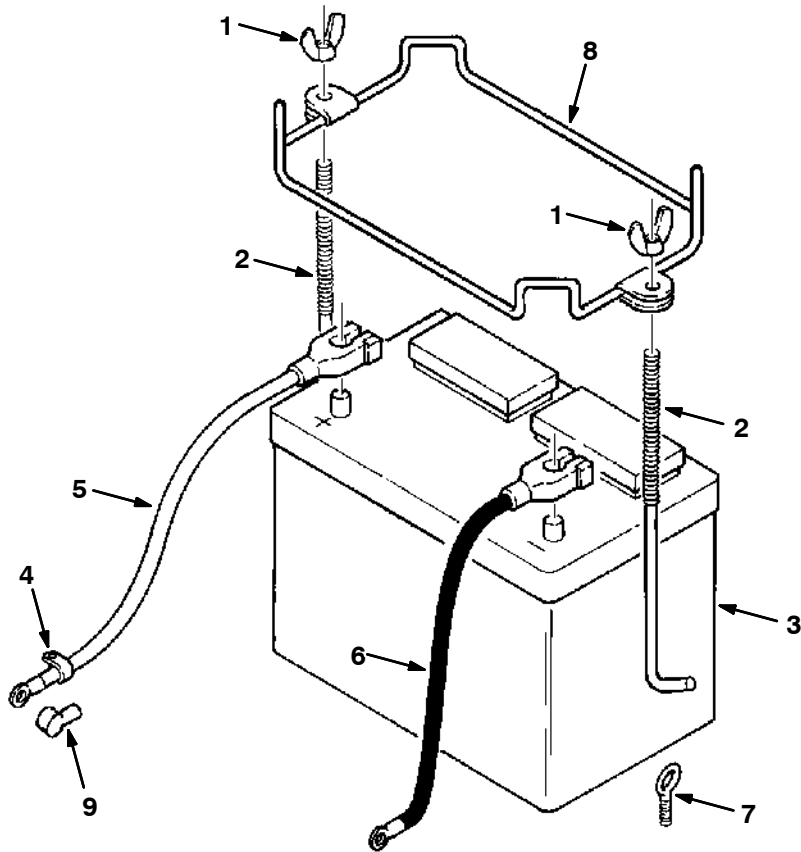


353208 - 550, 1550, D

Ref.	Part No.	Serial Number	Description	Qty.
1	19313	(001000-001505 )	Nut, Hex, .31-18	2
2	16936	(001000-001505 )	Bracket, Battery	1
3	310580	(001000-001505 )	Battery, 12vdc, 1000cca, Ah, Wet, UI	1
4	68869	(001000-001423 )	Cable, Positive Battery	1
4	60294	(001424-001505 )	Cable, Positive Battery	1
5	68870	(001000-001505 )	Cable, Negative Battery	1
6	13015-1	(001000-001505 )	Bolt, Hold Down	2
7	76736	(001424-001505 )	Clamp, Cable	3
8	32491	(001000-001505 )	Washer, Flat	2
9	76958	(001000-001505 )	Screw, Hex, .31-18 X 1.75	1



Fig. 21 - Engine Battery Group, Diesel (001508- )



02376 - 550, 1550, D, CAT

Ref.	Part No.	Serial Number	Description	Qty.
1	39272	(001508- )	Nut, Wing	2
2	13015	(001508- )	Bolt, Hold Down	2
3	77602	(001508- )	Battery, 12v, 0700cca, Ah, Wet	1
4	76736	(001508- )	Clamp, Cable	3
5	60294	(001508- )	Cable, Battery, Pos 2ga 78.0l .41h	1
6	60295	(001508- )	Cable, Battery, Neg 2ga 60.0l .41 Hole	1
7	11893	(001508- )	Eyebolt	2
8	13016	(001508- )	Bracket, Battery, L	1
9	61364	(001508- )	Boot, 90deg .62d .44d Red	1

**Fig. 22 - Steering Column Group, Diesel (001000- )**

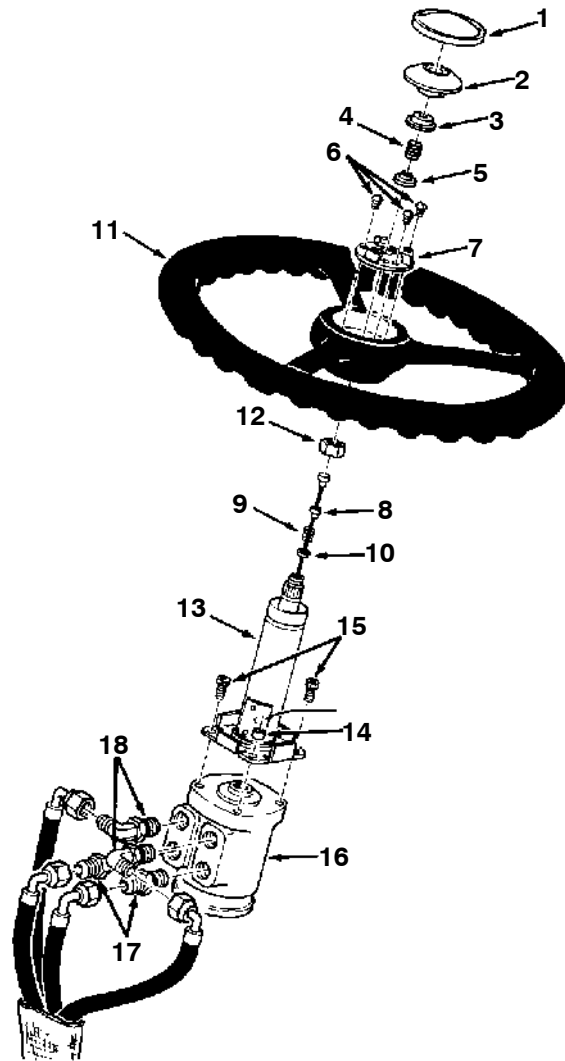


Fig. 22 - Steering Column Group, Diesel (001000- )

	Ref.	Part No.	Serial Number	Description	Qty.
▽		14700	(001000-	) Horn Button Assembly	1
▲	1	47010-7	(001000-	) Cover, Horn Button	1
▲	2	47010-6	(001000-	) Button, Horn	1
▲	3	47010-2	(001000-	) Cup, Contact	1
▲	4	47010-3	(001000-	) Spring	1
▲	5	47010-1	(001000-	) Cap, Contact	1
▲	6	47010-4	(001000-	) Screw, Horn Button, Wood	3
▲	7	14700-4	(001000-	) Plate	1
▲	8	14700-1	(001000-	) Ferrule, Insulation	1
▲	9	14700-2	(001000-	) Spring	1
▲	10	14700-3	(001000-	) Washer	1
		11 17269	(001000-	) Wheel, Steering	1
		12 57676	(001000-	) Nut	1
▽	13	52388	(001000-	) Column, Steering	1
▲		388153	(001000-	) Cap, Tube	1
▲		74142	(001000-	) Kit, Contact And Brush, [64433-000] En	1
	14	44310	(001000-	) Sleeve	2
	15	10829	(001000-	) Screw, Socket	2
	16	57982	(001000-001103	) Control, Steering (See Breakdowns)	1
	16	74176	(001104-	) Control, Steering (See Breakdowns)	1
	17	56690	(001000-	) Fitting, Straight	2
	18	56820	(001000-	) Fitting, Elbow	2

**Fig. 23 - Hydraulic Directional Pedal Group, Diesel (001104- )**

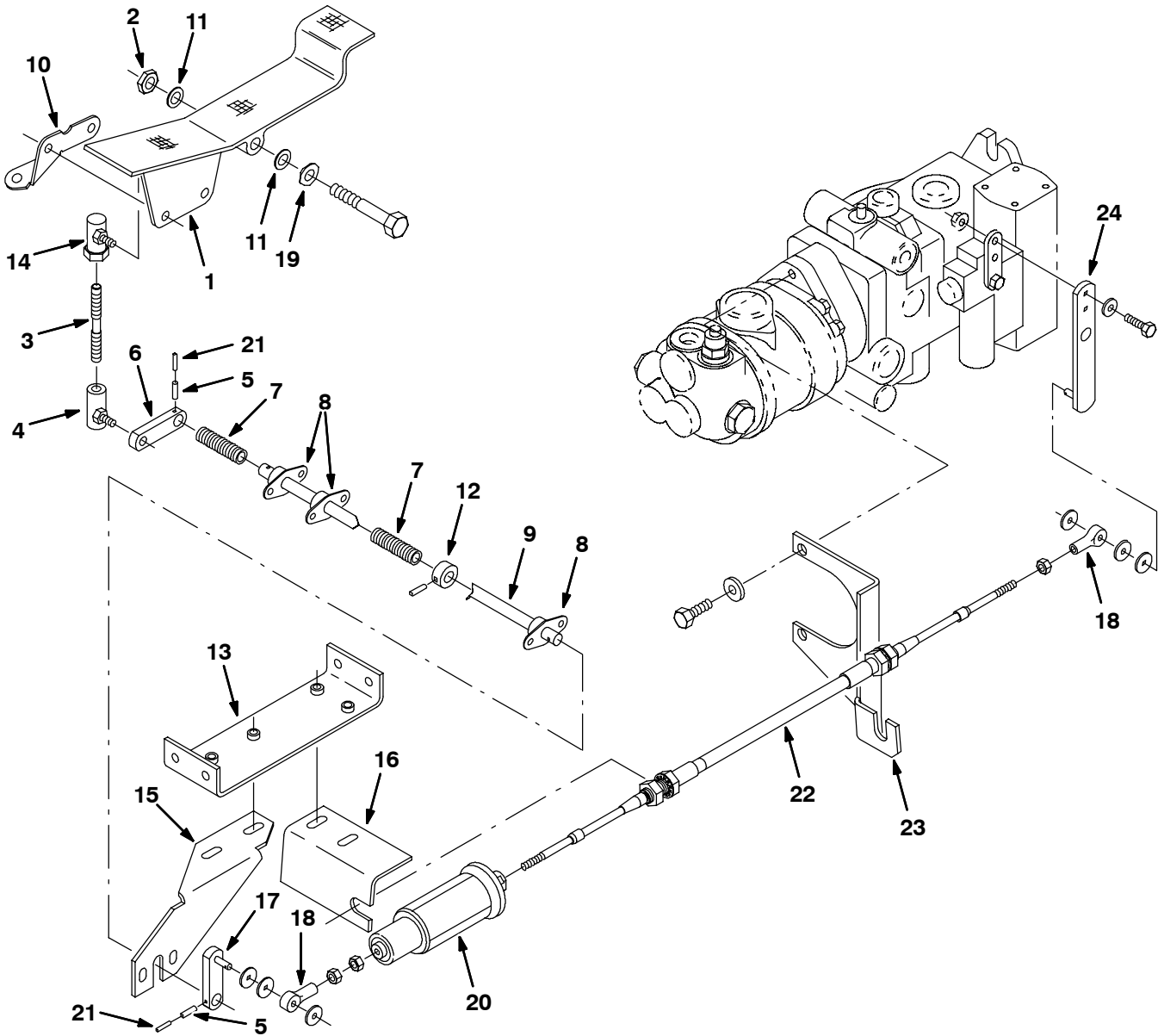
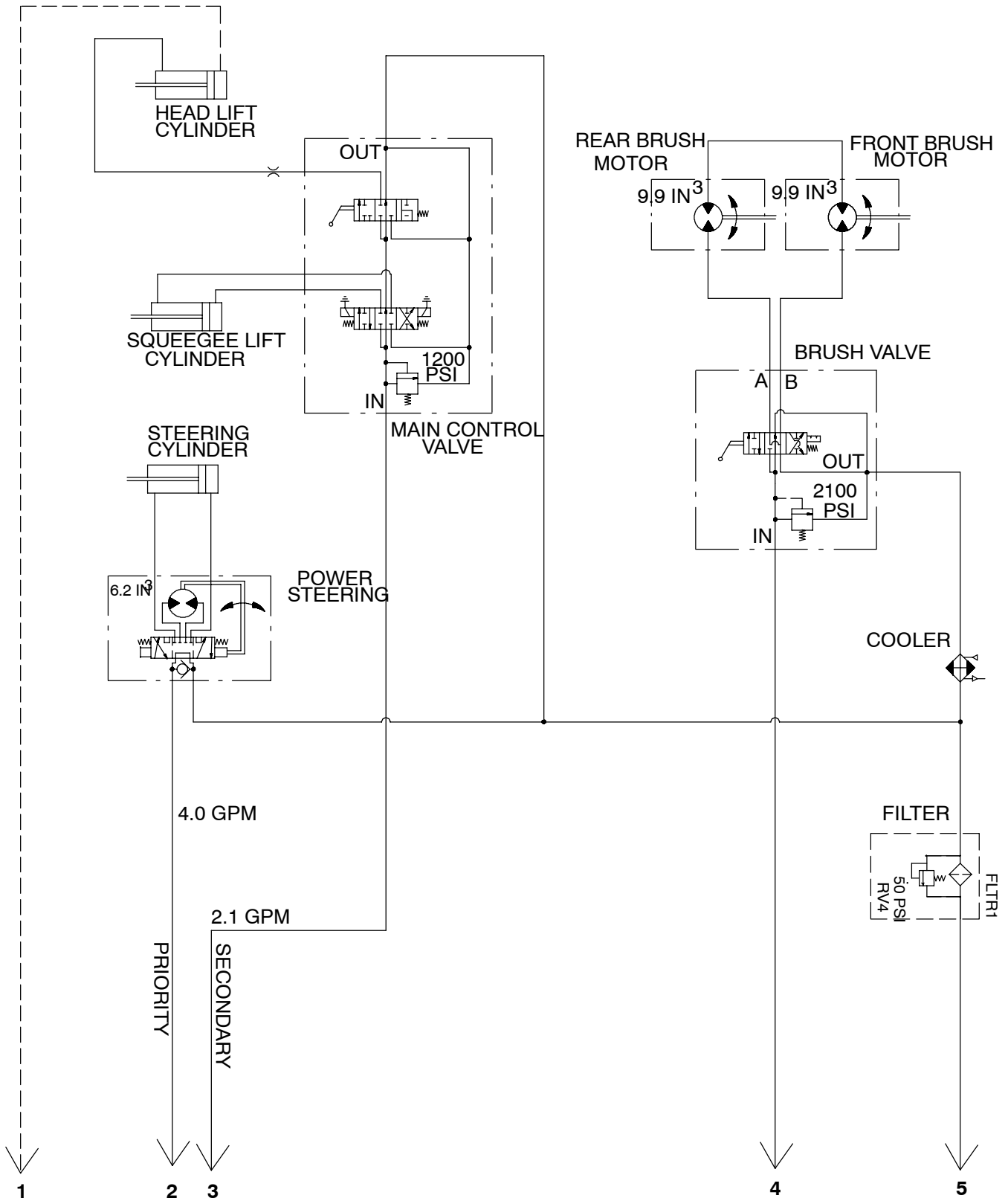


Fig. 23 - Hydraulic Directional Pedal Group, Diesel (001104- )

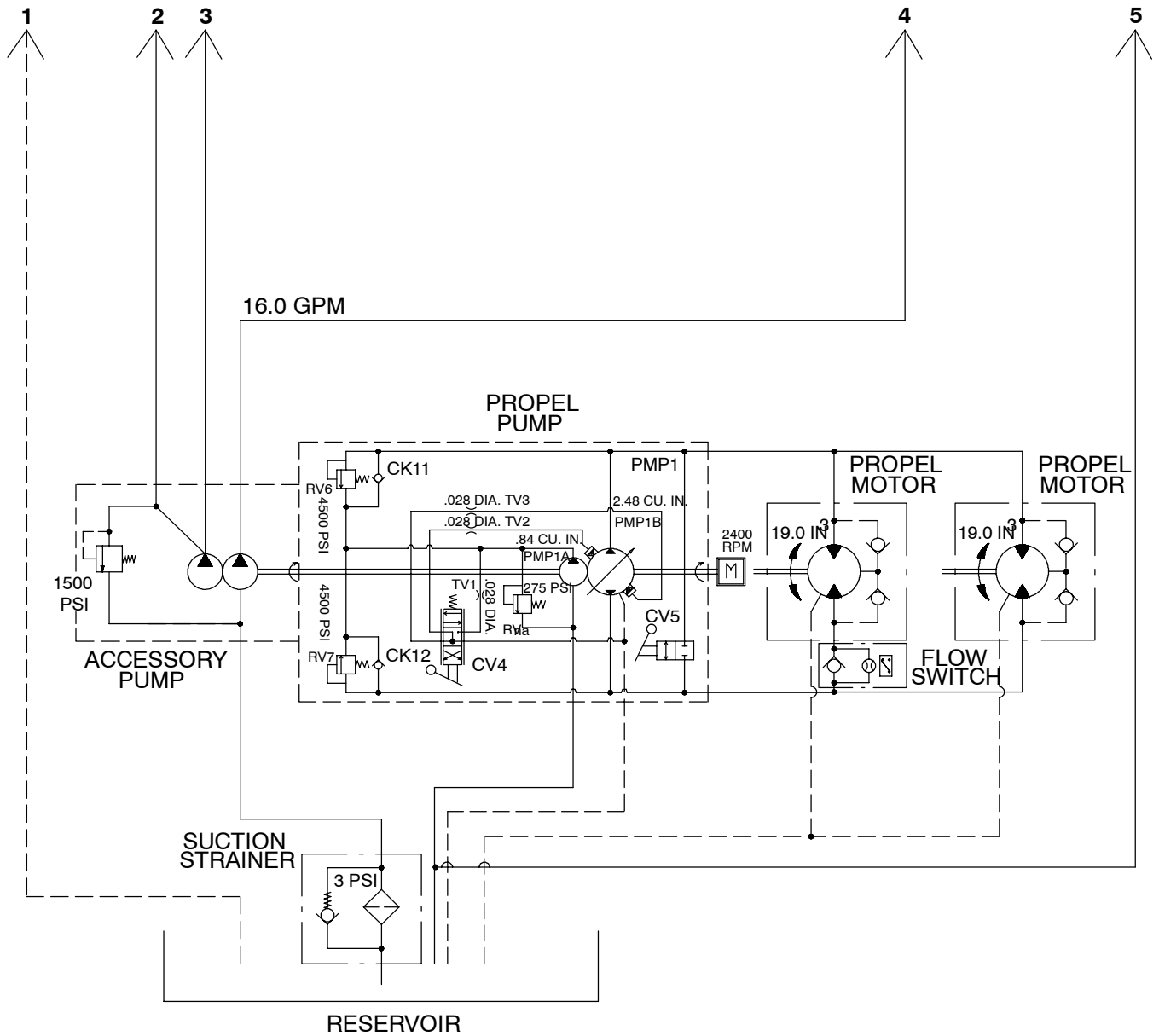
Ref.	Part No.	Serial Number	Description	Qty.
1	42240	(001104-	) Pedal, Foot Speed	1
2	86029	(001104-	) Nut, Nex, Thin	1
3	79074	(001104-	) Stud	1
4	50493	(001104-	) Ball Joint,	1
5	22134	(001104-	) Pin, Roll	2
6	52789	(001104-	) Link, Directional Control	1
7	22290	(001104-	) Spring	2
8	47585	(001104-	) Bearing, Flange	3
9	79067	(001104-	) Shaft, Control	1
10	79066	(001104-	) Bracket, Stop	1
11	59633	(001104-	) Bearing, Thrust	1
12	75371	(001104-	) Collor, Locking	1
13	79068	(001104-	) Bracket, Main	1
14	63282	(001104-	) Ball Joint, Upper	1
15	79069	(001104-	) Bracket, Mtg, Bearing	1
16	79070	(001104-	) Bracket, Cable	1
17	79077	(001104-	) Link, Direct Control	1
18	68866	(001104-	) Rod End	2
19	52508	(001104-	) Washer, Wavy	1
20	63292	(001104-	) Spring, Propel, Centering	1
21	46029	(001104-	) Pin, Roll	2
22	79080	(001104-001505	) Cable, Push/Pull, 31.5l, 3.0 .25-28	1
22	65439	(001508-	) Cable, Push/Pull, 33.5l	1
23	1015338	(001104-	) Bracket, Cable & Alarm	1
24	79114	(001104-	) Lever, Pump	1

**Fig. 24 - Hydraulic Schematic, Diesel (001000- )**



11122 - 550, 1550, D

Fig. 24 - Hydraulic Schematic, Diesel (001000- )



11122 - 550, 1550, D

**Fig. 25 - Hydraulic Hoses Group, Diesel (001104- )**

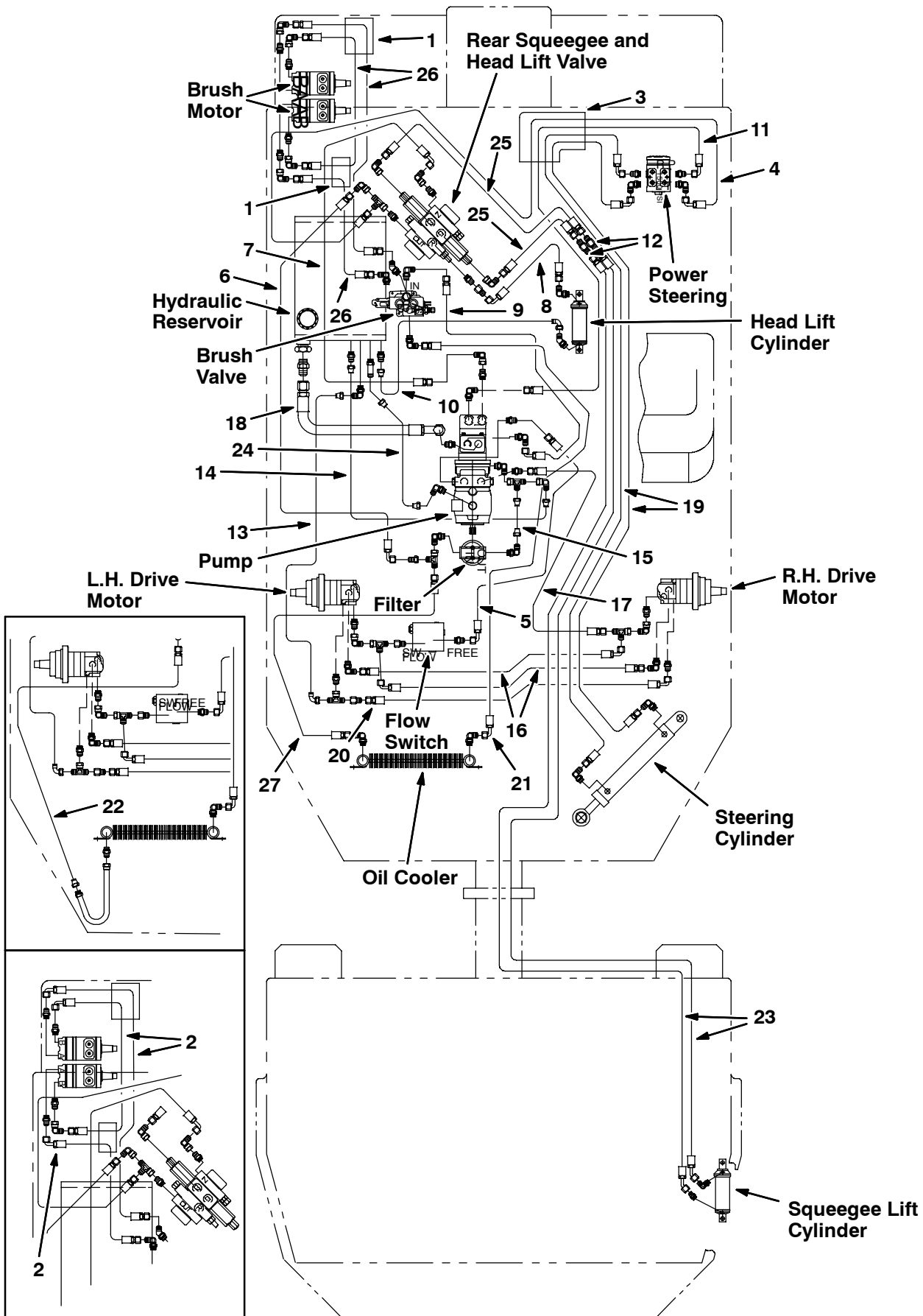




Fig. 25 - Hydraulic Hoses Group, Diesel (001104- )

Ref.	Part No.	Serial Number	Description	Qty.
1	82832	(001104-	) Sleeve, Hose	2
2	79079	(001104-001351	) Hose, Hydraulic	3
3	31672	(001104-	) Sleeve, Hose	1
4	02683	(001104-	) Hose, Hydraulic	1
5	79106	(001104-	) Hose, Hydraulic	1
6	59560	(001104-	) Hose, Hydraulic	1
7	31598	(001104-	) Hose, Hydraulic	1
8	57964	(001104-	) Hose, Hydraulic	1
9	79104	(001104-	) Hose, Hydraulic	1
10	31600	(001104-	) Hose, Hydraulic	1
11	31597	(001104-	) Hose, Hydraulic	1
12	27774	(001104-	) Fitting, Straight	2
13	31603	(001104-	) Hose, Hydraulic	1
14	55775	(001104-	) Hose, Hydraulic	1
15	82835	(001104-	) Hose, Hydraulic	1
16	79105	(001104-	) Hose, Hydraulic	2
17	79107	(001104-	) Hose, Hydraulic	1
18	34351	(001104-	) Hose, Hydraulic	1
19	31565	(001104-	) Hose, Hydraulic	2
20	31602	(001104-	) Hose, Hydraulic	1
21	31610	(001104-	) Hose, Hydraulic	1
22	31611	(001104-001423	) Hose, Hydraulic	1
23	31570	(001104-	) Hose, Hydraulic	2
24	57568	(001104-001109	) Hose, Hydraulic	1
24	65202	(001110-	) Hose, Hydraulic	1
25	34380	(001104-	) Hose, Hydraulic	2
26	375761	(001352-	) Hose, Hydraulic	3
27	42208	(001424-	) Hose, Hydraulic	1

**Fig. 26 - Hydraulic Control Valves Group, Diesel (001000- )**

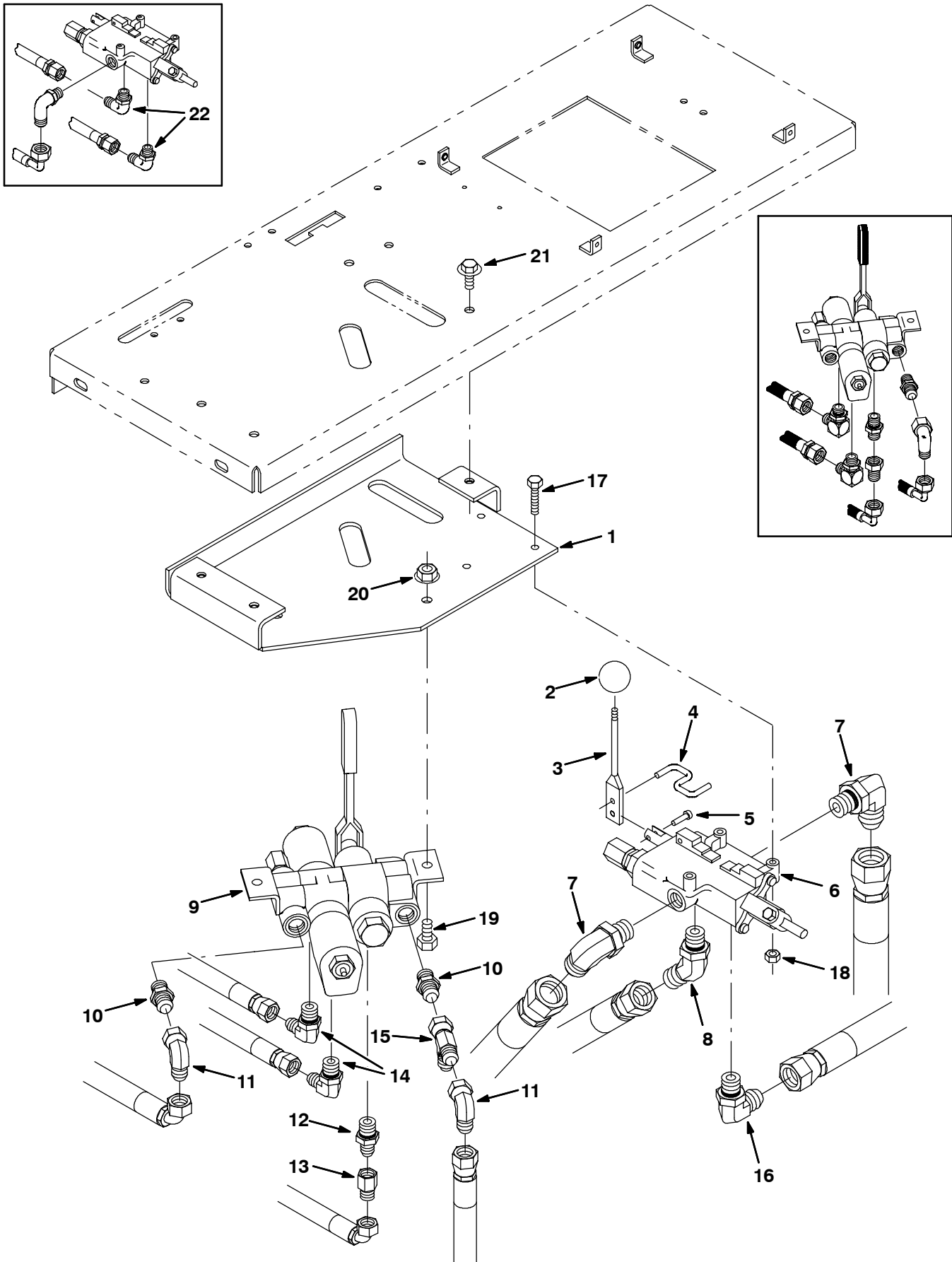
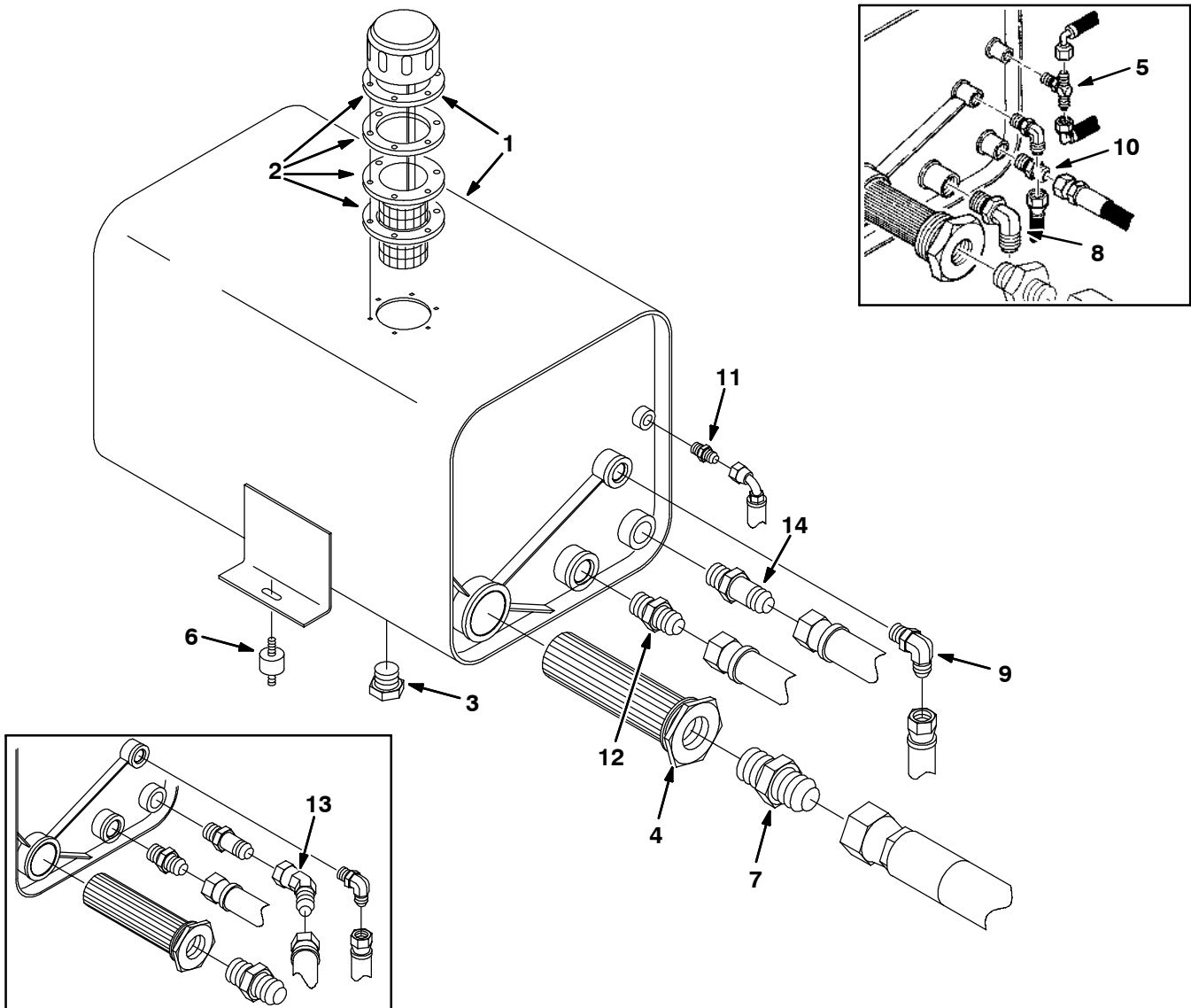


Fig. 26 - Hydraulic Control Valves Group, Diesel (001000- )

Ref.	Part No.	Serial Number	Description	Qty.
1	1016010	(001000-	) Bracket Wldt, Mtg, Valve	1
2	26565	(001000-	) Knob	1
3	62234	(001000-	) Rod and Link	1
4	32759	(001000-	) Link, Hook	1
5	14605	(001000-	) Pin, Clevis	1
6	32761	(001000-	) Valve, Hydraulic (See Breakdowns)	1
7	47498	(001000-	) Fitting, Elbow	2
8	77099	(001104-	) Fitting, Elbow, 45°	1
9	31575	(001000-	) Valve, Hydraulic (See Breakdowns)	1
10	56690	(001000-	) Fitting, Straight	2
11	47504	(001000-	) Fitting, Elbow	2
12	55685	(001000-	) Fitting, Straight	1
13	16456	(001000-	) Fitting, Restrictor	1
14	47638	(001000-	) Fitting, Elbow	2
15	42215	(001104-	) Fitting, Tee	1
16	56827	(001104-	) Fitting, Elbow	1
17	25048	(001000-	) Screw, Hex, .25-20 X 1.50, 5	3
18	32981	(001000-	) Nut, Hex, Lock, .25-20, NI	3
19	21195	(001000-	) Screw, Hex, .38-16 X 0.75, 5	2
20	27980	(001000-	) Nut, Hex, Flng, .38-16	2
21	16953	(001000-	) Screw, Hex, .31-18 X 0.75, Sems	3
22	44868	(001000-001103	) Fitting, Elbow	2

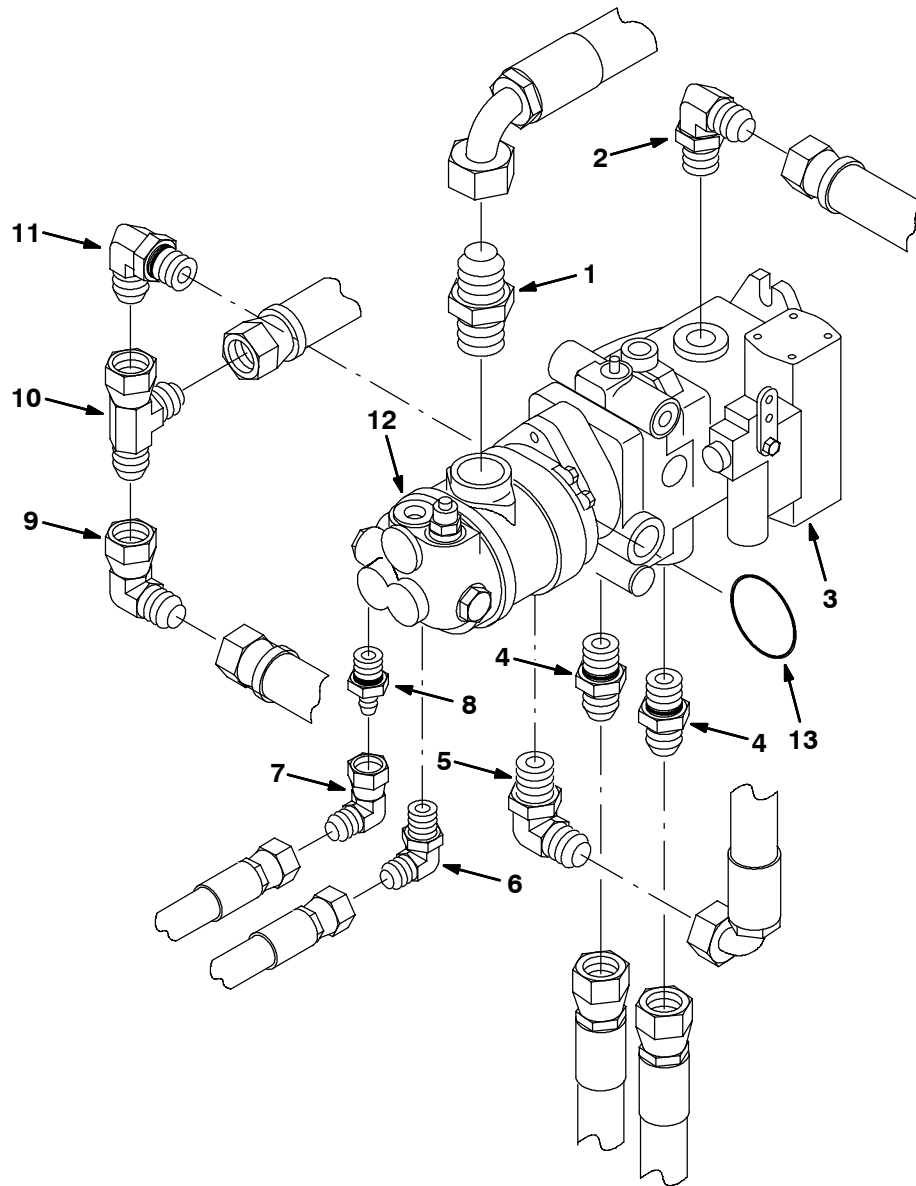
**Fig. 27 - Hydraulic Reservoir Group, Diesel (001000- )**



09876 - 1550

Ref.	Part No.	Serial Number	Description	Qty.
▽ 1	31557	(001000- )	Reservoir Assembly, Hydraulic	1
▲ 2	31559	(001000- )	Breather, Filler	1
▲ 3	40362	(001000- )	Fitting, Plug	1
4	31613	(001000- )	Strainer, Suction	1
5	31599	(001000-001103 )	Fitting, Tee	1
6	82661	(001000- )	Isolator, Vibration	4
7	58858	(001000- )	Fitting, Straight	1
8	46481	(001000-001103 )	Fitting, Elbow	1
9	56820	(001000- )	Fitting, Elbow	1
10	44869	(001000-001103 )	Fitting, Straight	1
11	55586	(001104- )	Fitting, Straight	1
12	42260	(001104- )	Fitting, Straight	1
13	07934	(001104-001109 )	Fitting, Elbow, 45°	1
14	62390	(001104- )	Fitting, Straight	1

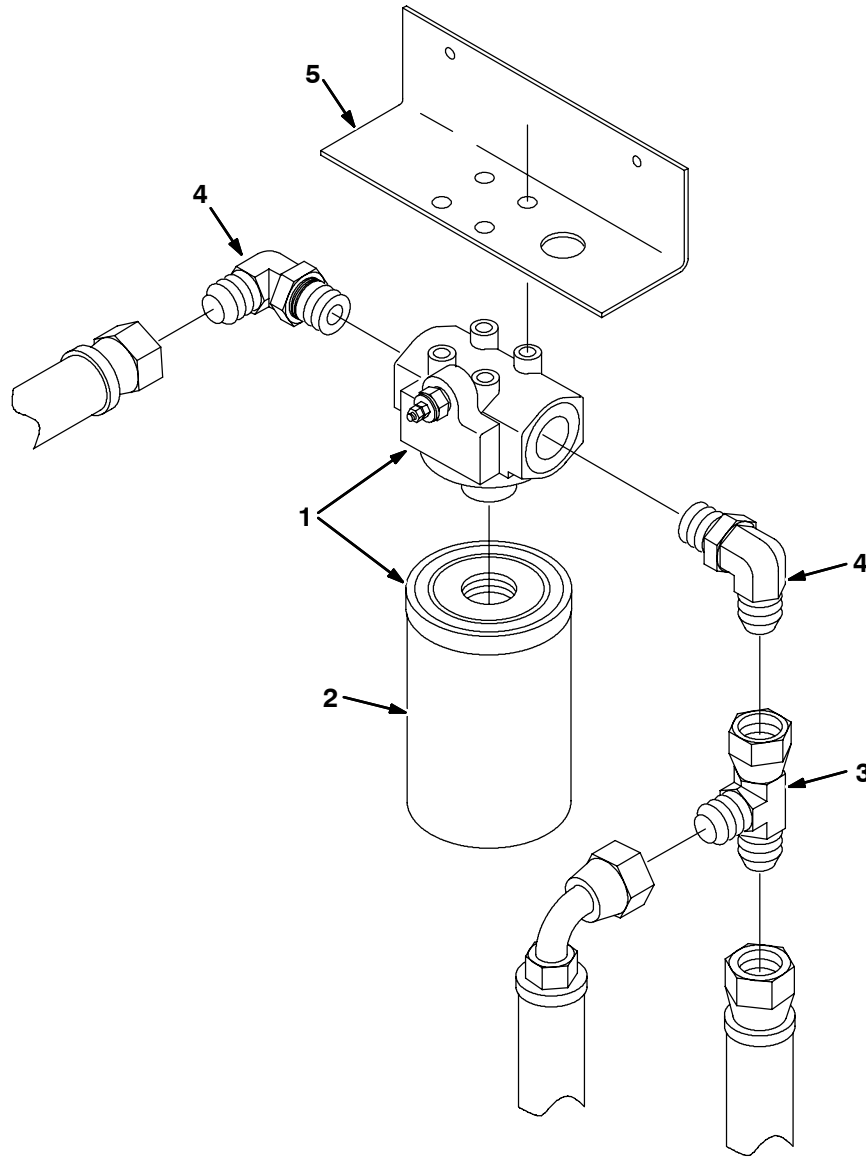
**Fig. 28 - Hydraulic Pumps Group, Diesel (001104- )**



10144 - 550, 1550, D

Ref.	Part No.	Serial Number	Description	Qty.
1	58858	(001104- )	Fitting, Straight	1
2	46481	(001104- )	Fitting, Elbow	1
3	74163	(001104-001369 )	Pump, Hydrualic (See Breakdowns)	1
3	373404	(001370- )	Pump, Hydrualic (See Breakdowns)	1
4	67310	(001104- )	Fitting, Straight	2
5	47498	(001104- )	Fitting, Elbow	1
6	47512	(001104- )	Fitting, Elbow	1
7	47504	(001104- )	Fitting, Elbow	1
8	47508	(001104- )	Fitting, Elbow	1
9	35033	(001104- )	Fitting, Elbow	1
10	40514	(001104- )	Fitting, Tee	1
11	52911	(001104- )	Fitting, Elbow	1
12	79078	(001104-001423 )	Pump, Hydrualic (See Breakdowns) (Replaced by None)	1
12	373245	(001424- )	Pump, Hydrualic (See Breakdowns)	1
13	65145-1	(001104- )	Seal, O-Ring	1

**Fig. 29 - Hydraulic Filter Group, Diesel (001104- )**



10149 - 550, 1550, D

Ref.	Part No.	Serial Number	Description	Qty.
▽	1	10664	(001104- ) Filter Assembly, Hydraulic	1
▲	2	65221	(001104- ) Element, Filter	1
	3	40514	(001104- ) Fitting, Tee	1
	4	46481	(001104- ) Fitting, Elbow	2
	5	79075	(001104- ) Bracket, Filters Mounting	1

Fig. 30 - Electrical Schematic, Diesel (001000-001423)

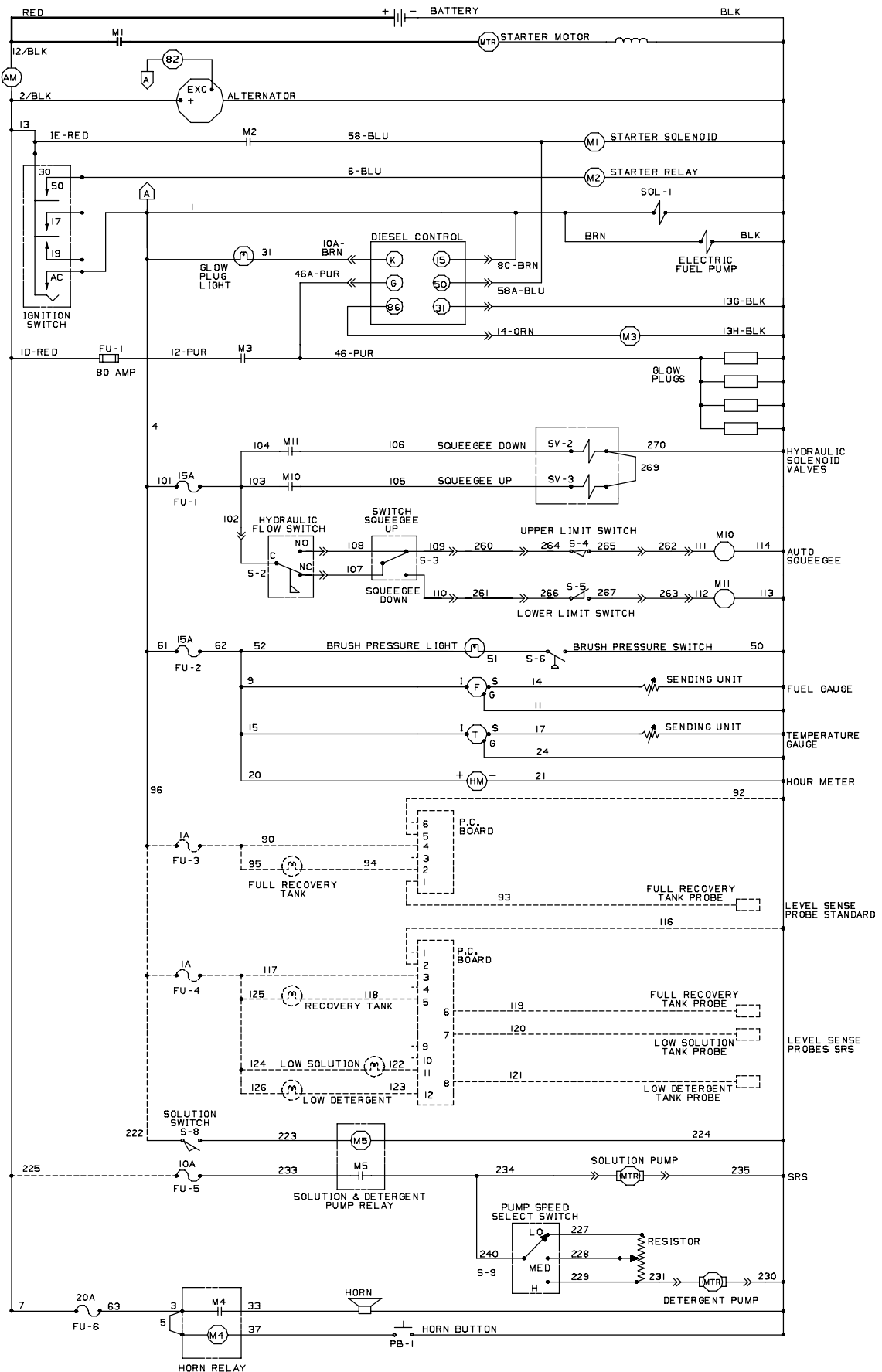


Fig. 31 - Electrical Schematic, Diesel (001424-001505)

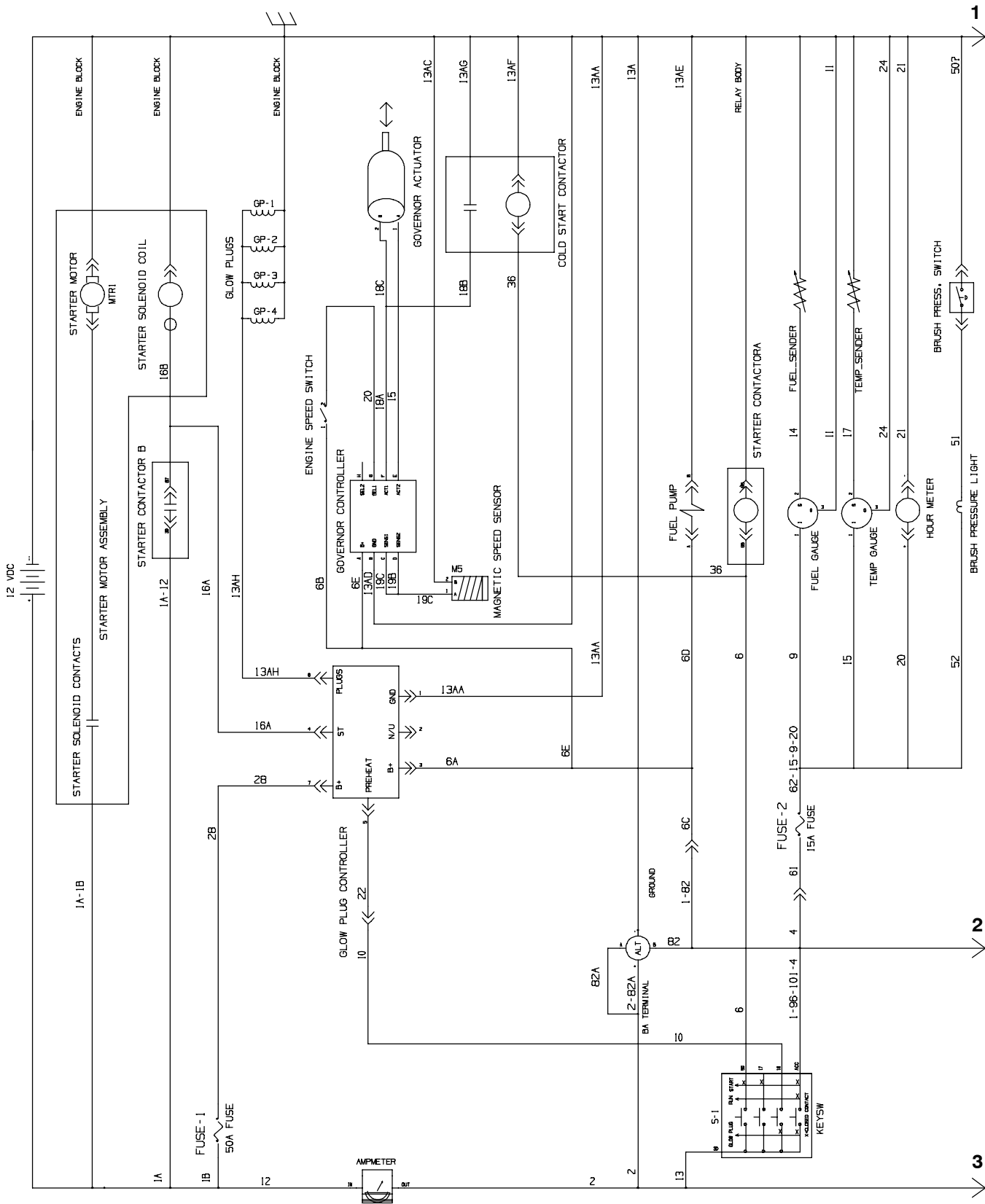






Fig. 31 - Electrical Schematic, Diesel (001424-001505)

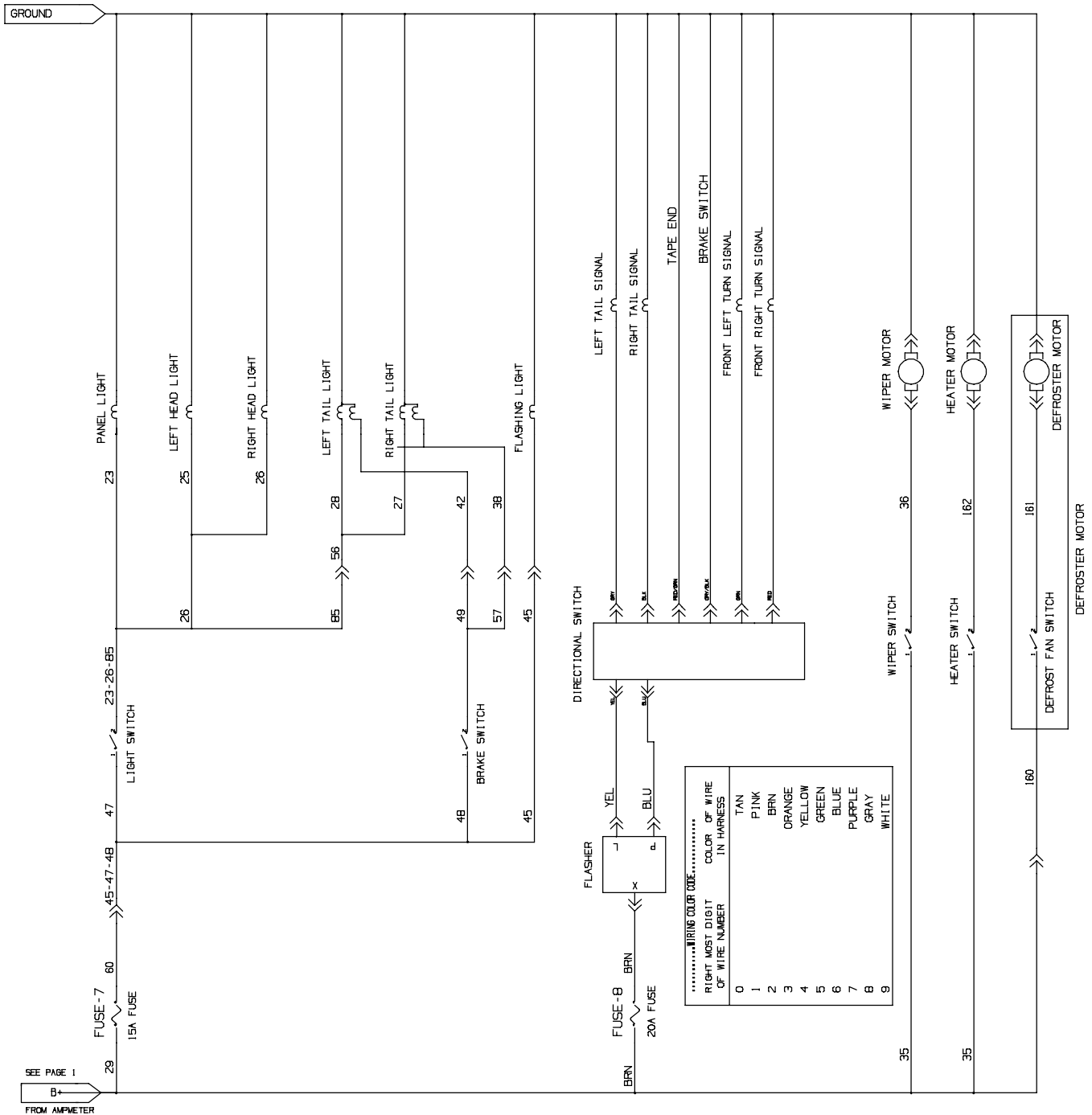
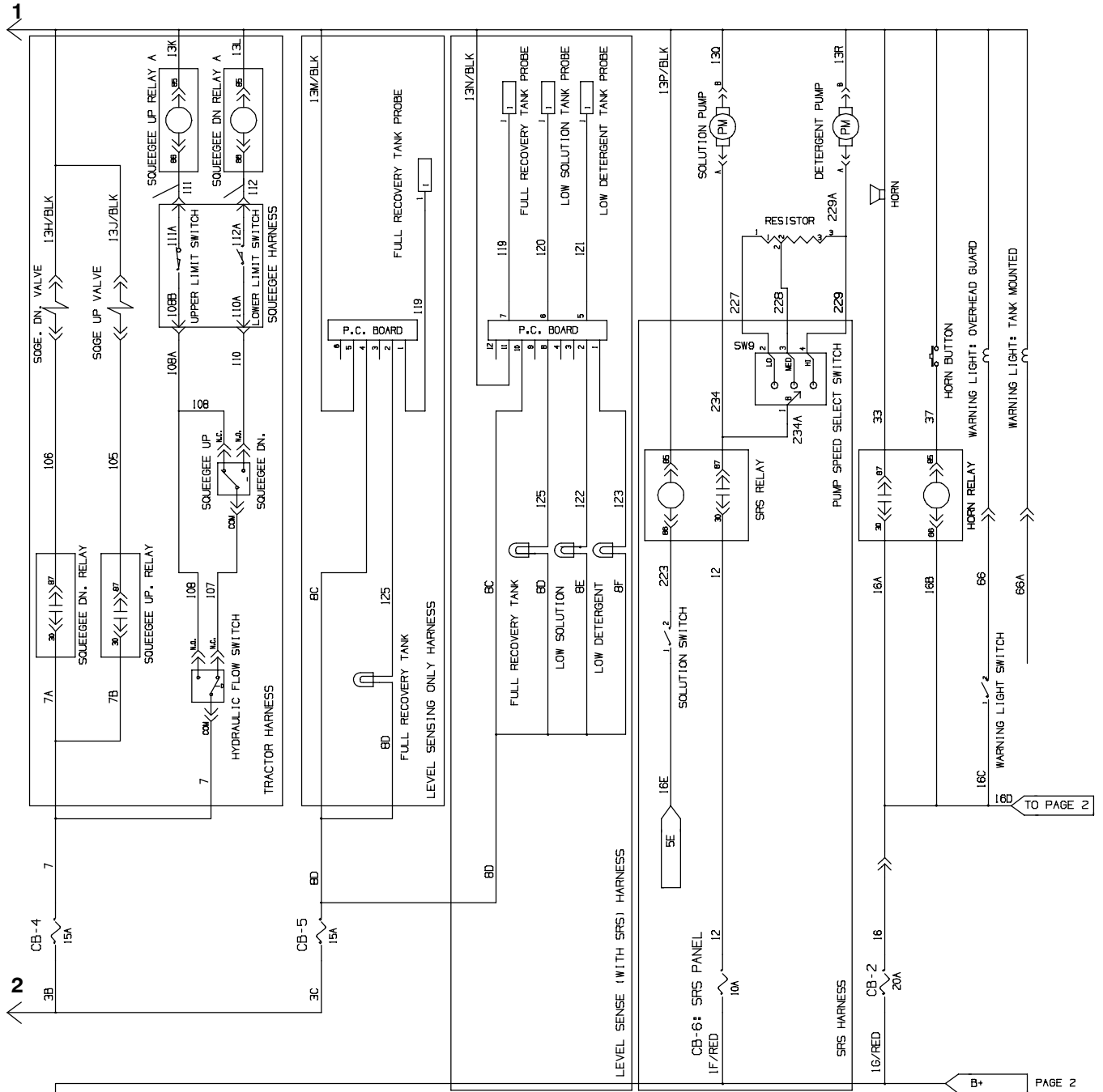






Fig. 32 - Electrical Schematic, Diesel (001508- )



.....WIRING COLOR CODE.....

RIGHT MOST DIGIT OF WIRE NUMBER	COLOR OF WIRE IN HARNESS
0	TAN
1	PINK
2	BRN
3	ORANGE
4	YELLOW
5	GREEN
6	BLUE
7	PURPLE
8	GRAY
9	WHITE

UNLESS SPECIFIED DIFFERENTLY ON SCHEMATIC.

**Fig. 32 - Electrical Schematic, Diesel (001508- )**

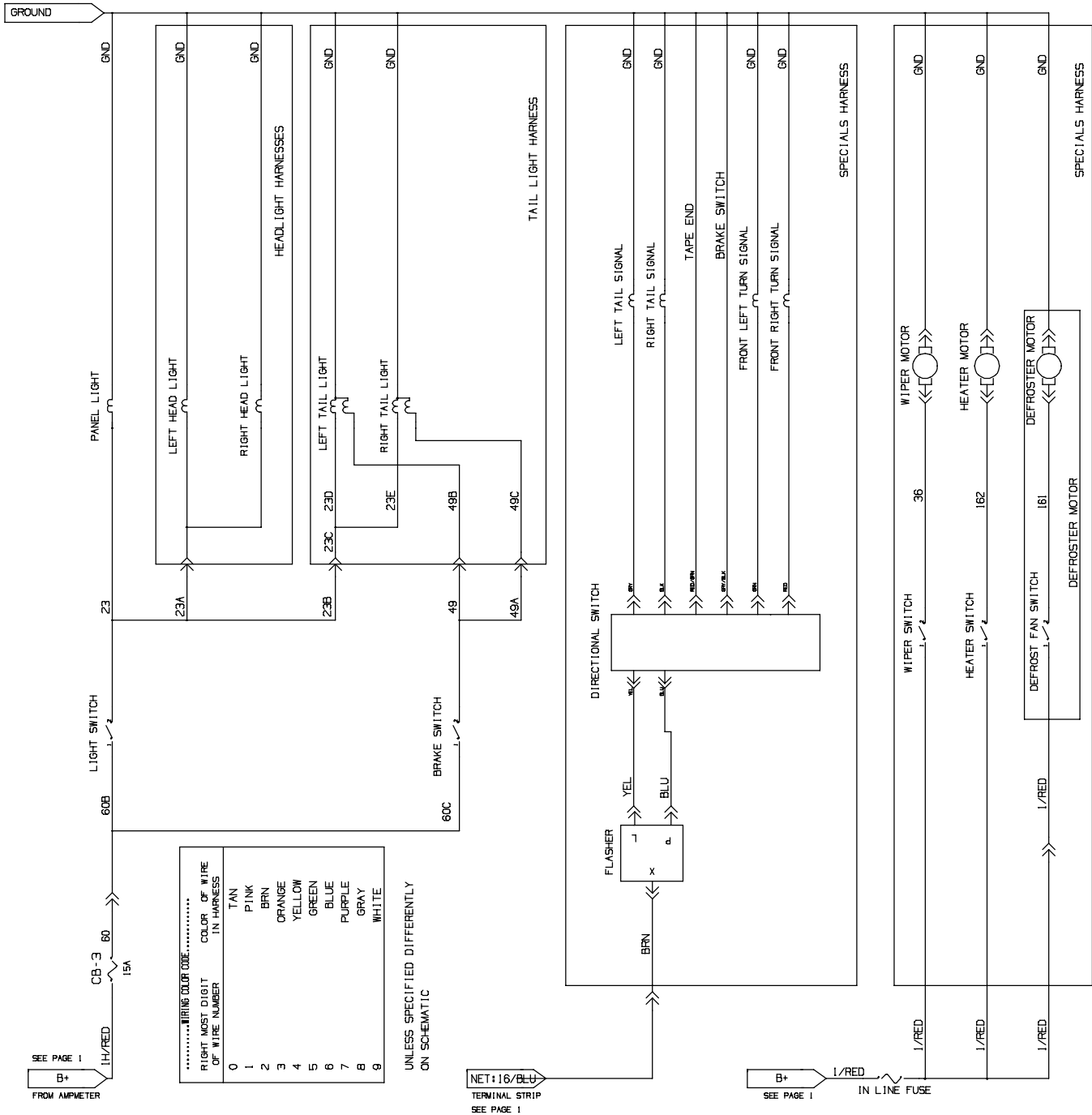
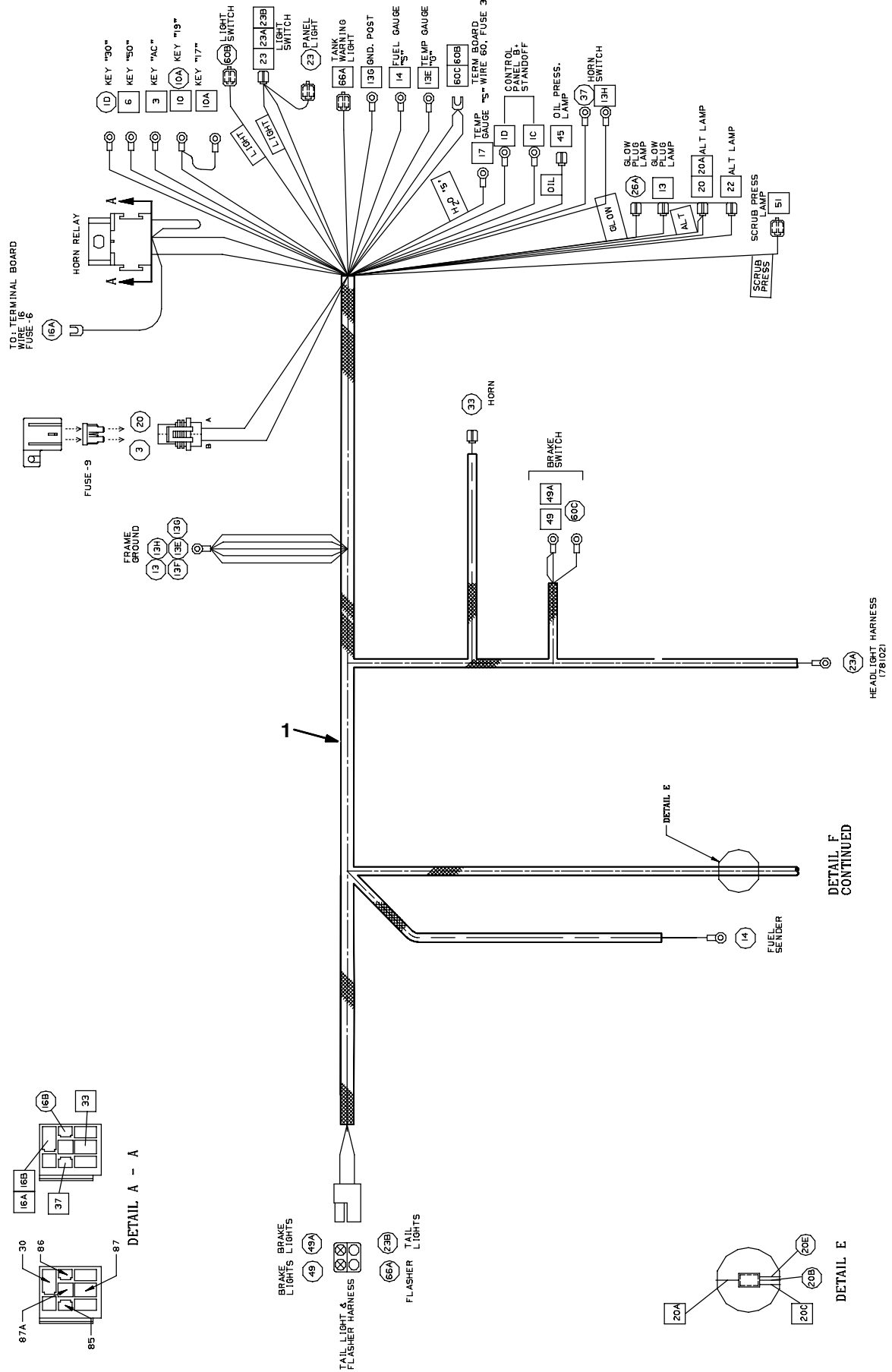


Fig. 33 - Electrical Wire Harnesses Group, Diesel (001508- )



**Fig. 33 - Electrical Wire Harness Group, Diesel (001508- )**

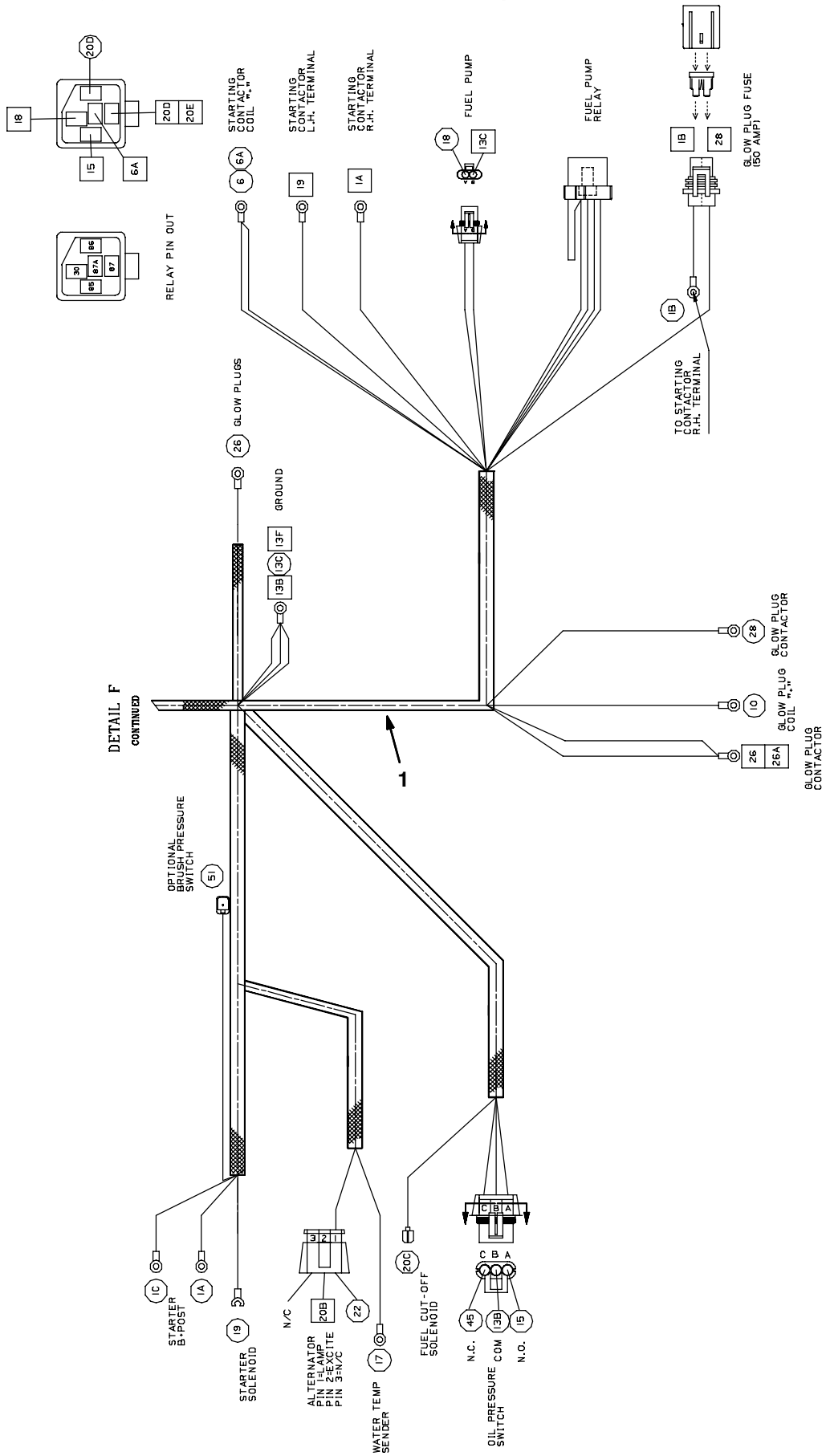




Fig. 33 - Electrical Wire Harness Group, Diesel (001508- )

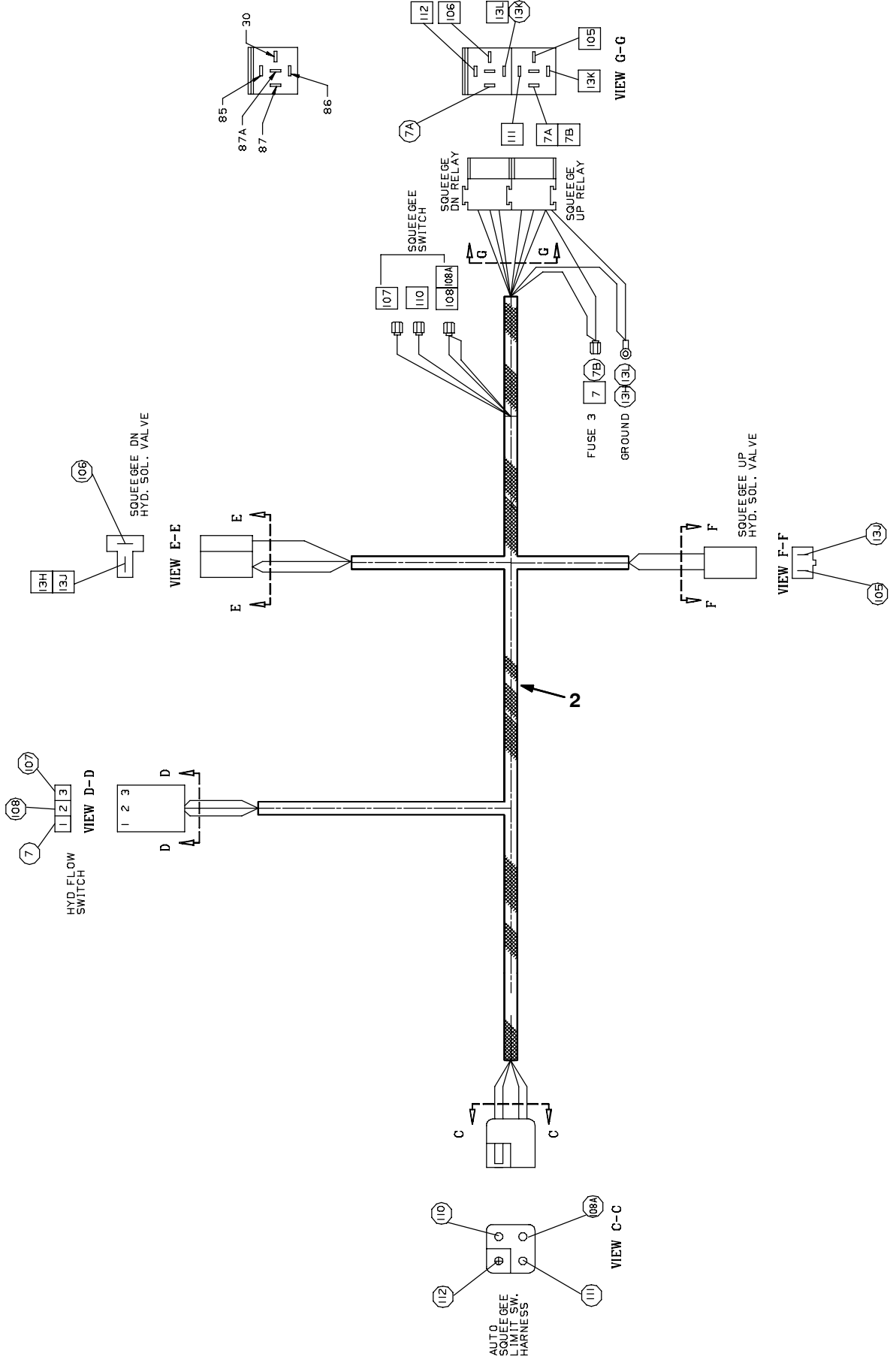


Fig. 33 - Electrical Wire Harness Group, Diesel (001508- )

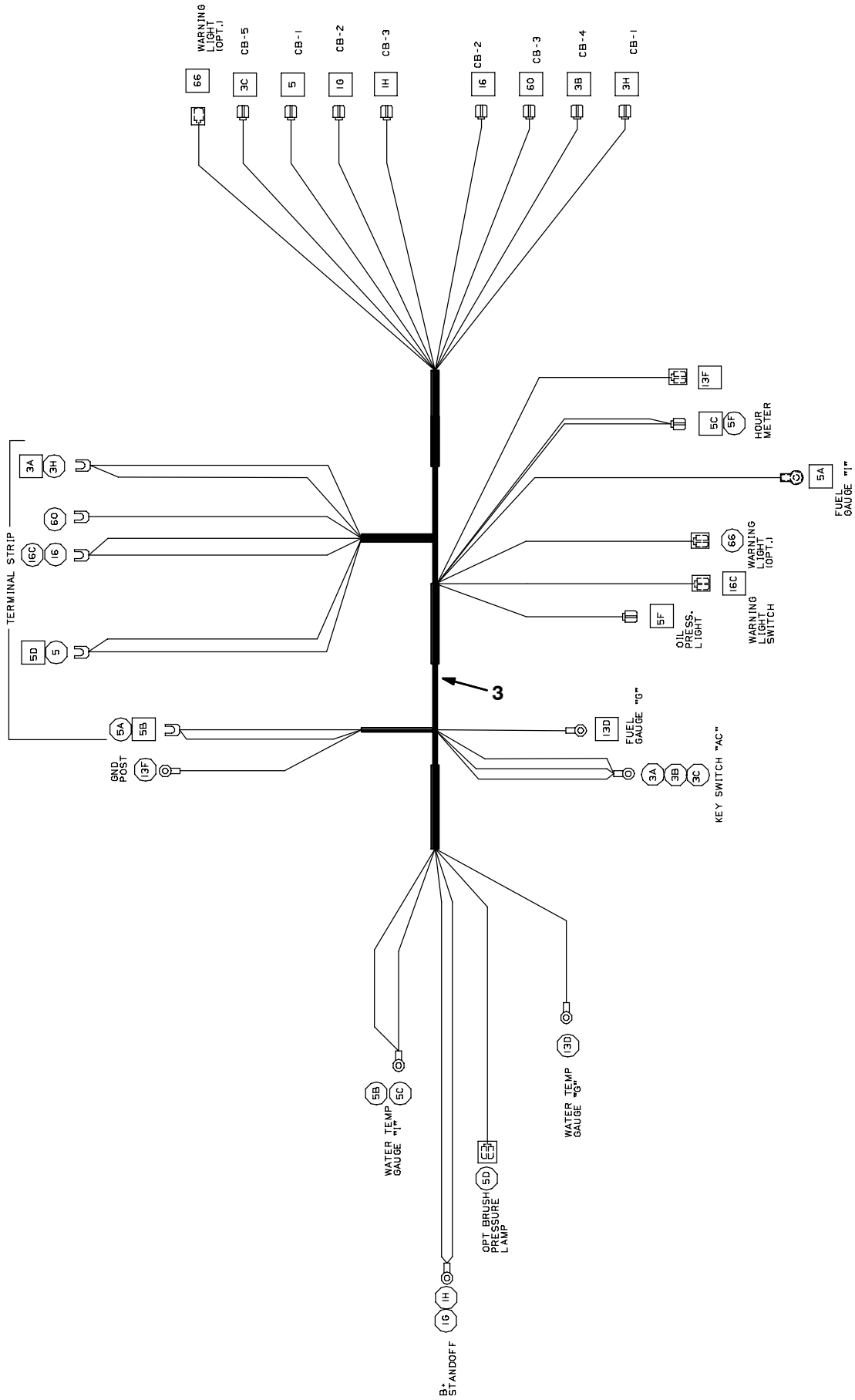
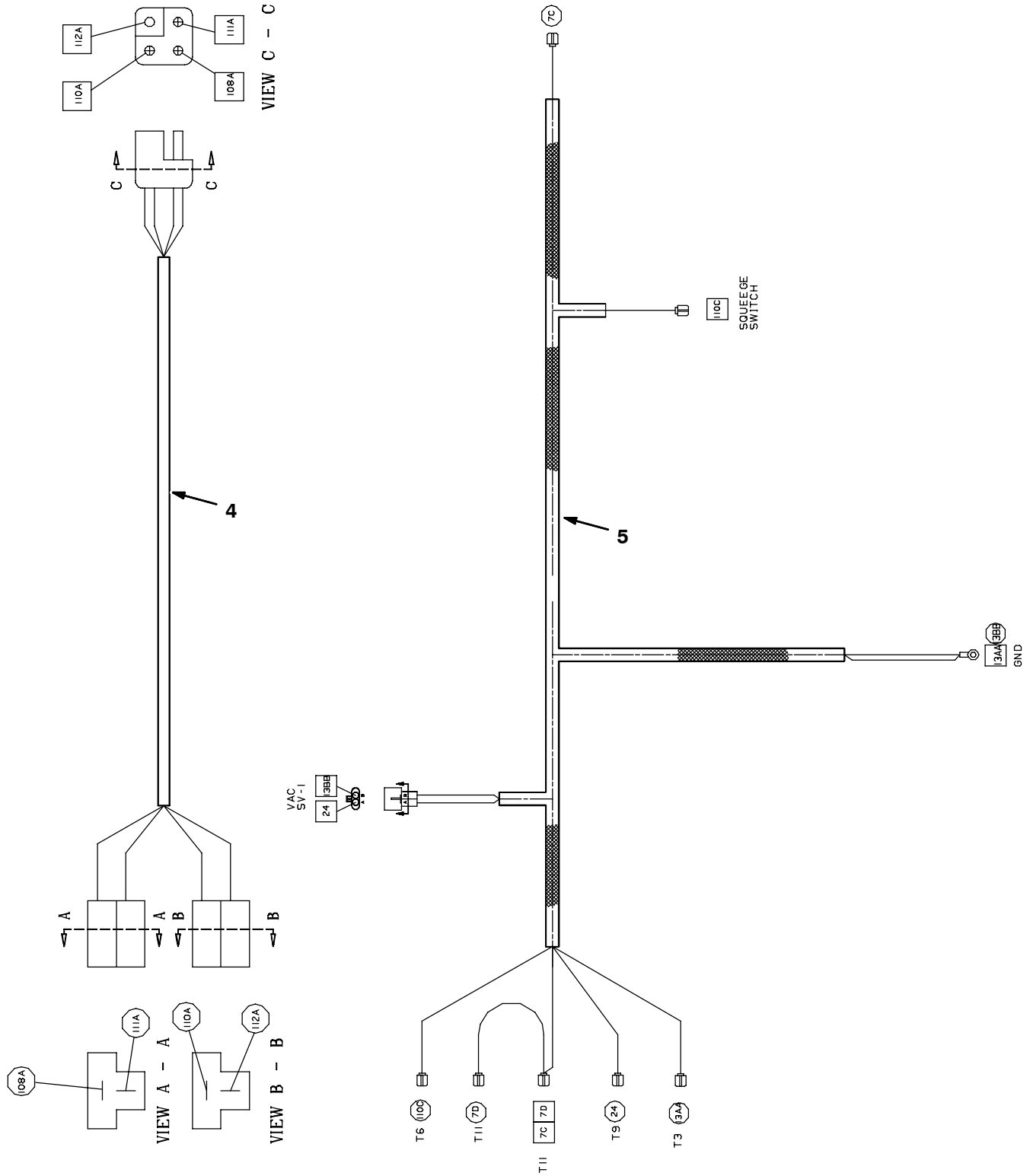
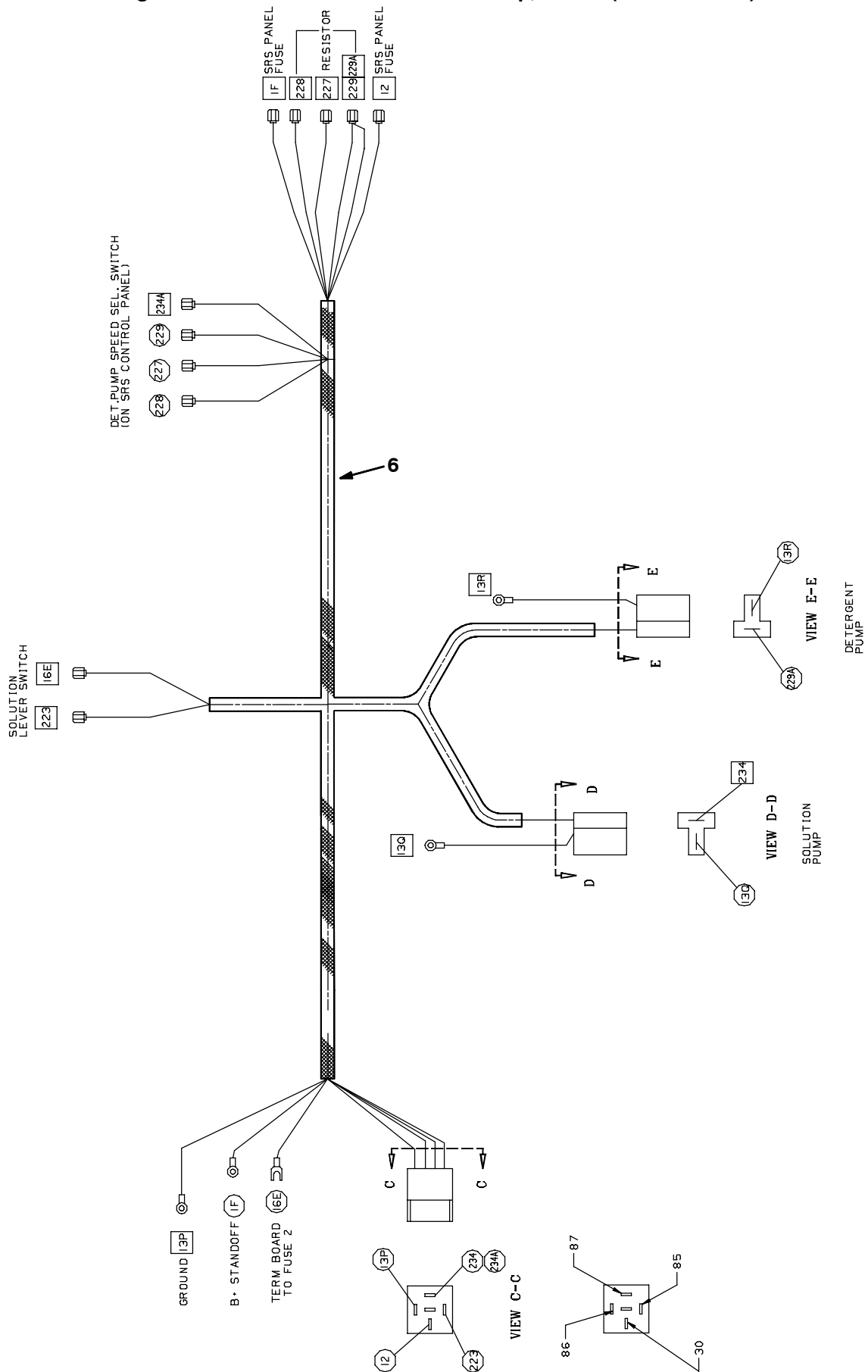


Fig. 33 - Electrical Wire Harnesses Group, Diesel (001508- )



**Fig. 33 - Electrical Wire Harness Group, Diesel (001508- )**



354310, 354290, 354289, 354288, 354287, 354286 - 1550, D, CAT

**Fig. 33 - Electrical Wire Harnesses Group, Diesel (001508- )**

<b>Ref.</b>	<b>Part No.</b>	<b>Serial Number</b>	<b>Description</b>	<b>Qty.</b>
1	391900	(001508-	) Harness, Main, Dsl, [550/1550 Cat]	1
2	391907	(001508-	) Harness, Tractor [550/1550]	1
3	391902	(001508-	) Harness, Panel, Control [550]	1
4	391909	(001508-	) Harness, Tank, Sqge [1550]	1
5	363992	(001508-	) Harness, Sqge, Vacuum	1
6	391908	(001508-	) Harness, Srs [1550]	1

Fig. 34 - Instrument Panel Group, Diesel (001508- )

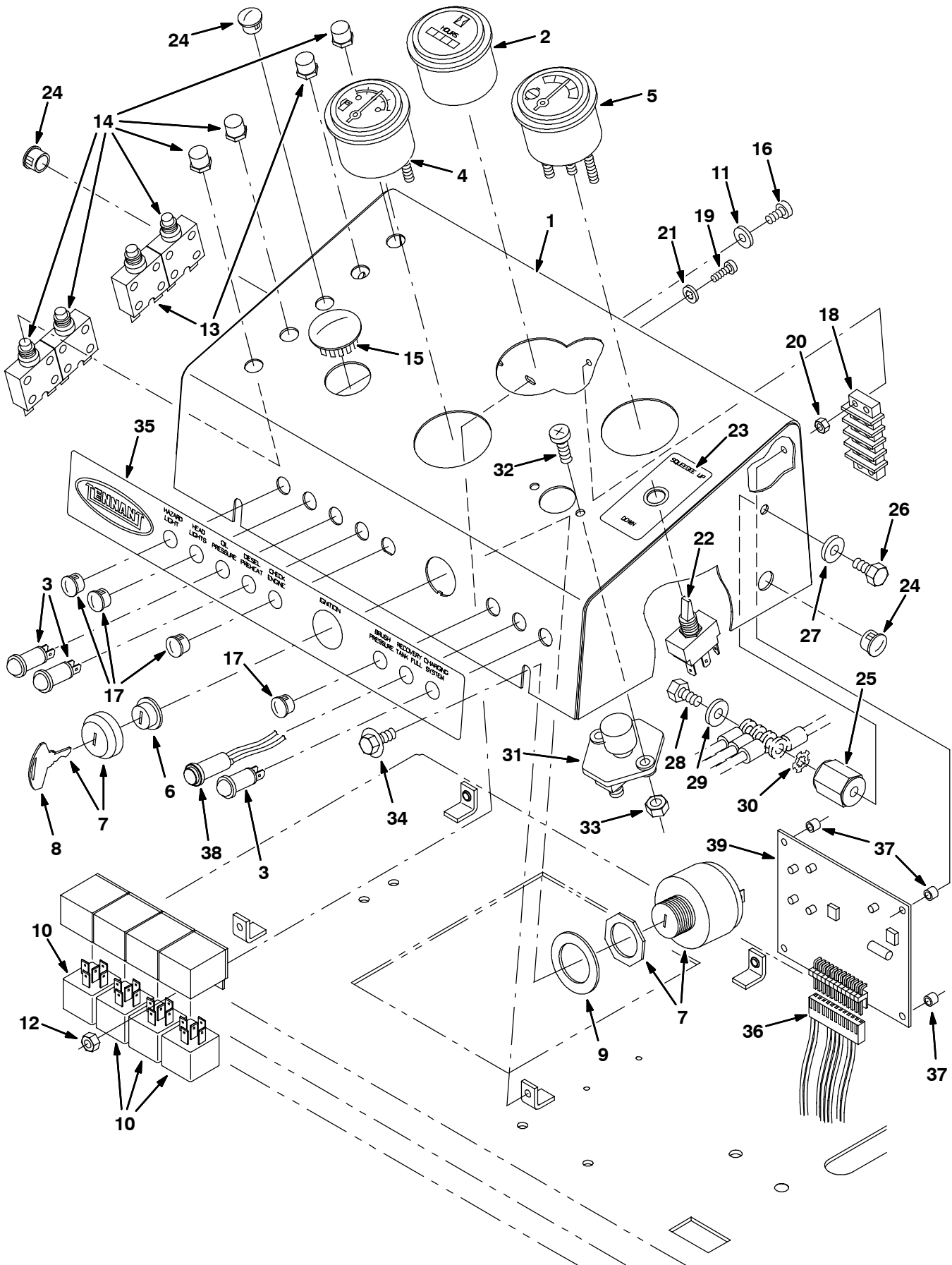


Fig. 34 - Instrument Panel Group, Diesel (001508- )

Ref.	Part No.	Serial Number	Description	Qty.	
1	1015379	(001508-	) Panel Wldt, Console, Instmt [550]	1	
2	34810	(001508-	) Hourmeter, 12-24vdc, Analog, Rnd	1	
3	34820	(001508-	) Light, Panl, 14vdc, Red, 0.6d	3	
4	34813	(001508-	) Gauge, Fuel, 0-90ohm 8-18vdc	1	
5	50330	(001508-	) Gauge, Temp, 100-260 2.3d 12vdc	1	
6	382516	(001508-	) Boot, Switch	1	
▽	7	87536	(001508-	) Switch, Ign [Ku]	1
▲	8	87866	(001508-	) Key, Ignition, [Set Of 2]	1
9	73736	(001508-	) Washer, 1.15b 1.75d .08, Stl	1	
10	57804	(001508-	) Relay, 12vdc, 40a, Spdt, [Potter]	4	
11	19065	(001508-	) Washer, Flat, #08	4	
12	45181	(001508-	) Nut, Hex, Lock, #10-24, NI	4	
13	383723	(001508-	) Circuitbreaker, 20.0a, Resetable	1	
14	383722	(001508-	) Circuitbreaker, 15.0a	3	
15	47178-13	(001508-	) Button, Plug, 1.25h .06-.09 [Chrome Stl]	1	
16	39648	(001508-	) Screw, Pan, #10-24 X 0.38, 1	4	
17	56992	(001508-	) Button, Plug, 0.50h .03-.12 [Black Nyl]	4	
18	26523	(001508-	) Block, Terminal, 4 Connector	1	
19	32517	(001508-	) Screw, Pan, #08-32 X 0.62, 1	1	
20	19310	(001508-	) Nut, Hex, Std, #08-32	1	
21	32978	(001508-	) Washer, Lock, Int, #08	1	
22	76306	(001508-	) Switch, Toggle, 250vac 10a On/On	1	
23	76234	(001508-	) Label, Control, Sqge	1	
24	02431	(001508-	) Button, Plug, 0.56h .03-.12 [Black Nyl]	3	
25	76062	(001508-	) Insulator, Panel & Switchboard	1	
26	19316	(001508-	) Screw, Hex, .25-20 X 0.62, 5	1	
27	41185	(001508-	) Washer, Belleville, .25	1	
28	19315	(001508-	) Screw, Hex, .25-20 X 0.50, 5	1	
29	32490	(001508-	) Washer, Flat, 0.25 Std	1	
30	41141	(001508-	) Washer, Lock, Int-Ext, .31	1	
31	44078	(001508-	) Switch, Push, 12vdc 80a Spst No	1	
32	39712	(001508-	) Screw, Pan, .25-20 X 0.75, 2	2	
33	75934	(001508-	) Nut, Hex, Lock, .25-20, NI	2	
34	16949	(001508-	) Screw, Hex, .25-20 X 0.75, Sems	4	
35	1015389	(001508-	) Label, Console, Instmt	1	
36	391905	(001508-	) Harness, Sensing, Level, Srs [1550]	1	
37	64921	(001508-	) Spacer	4	
38	374119	(001508-	) Light, Indicator, 14vdc Red	1	
	45333	(001508-	) Terminal, Spade, #10stud, 14/16awg	1	
	45224	(001508-	) Terminal, Qdc, [.25f, Insf,14]	1	
39	64795C-1	(001508-	) P.c.board, Level Sensing-compl	1	

Fig. 35 - Vacuum Fan Assembly, Diesel (001000- )

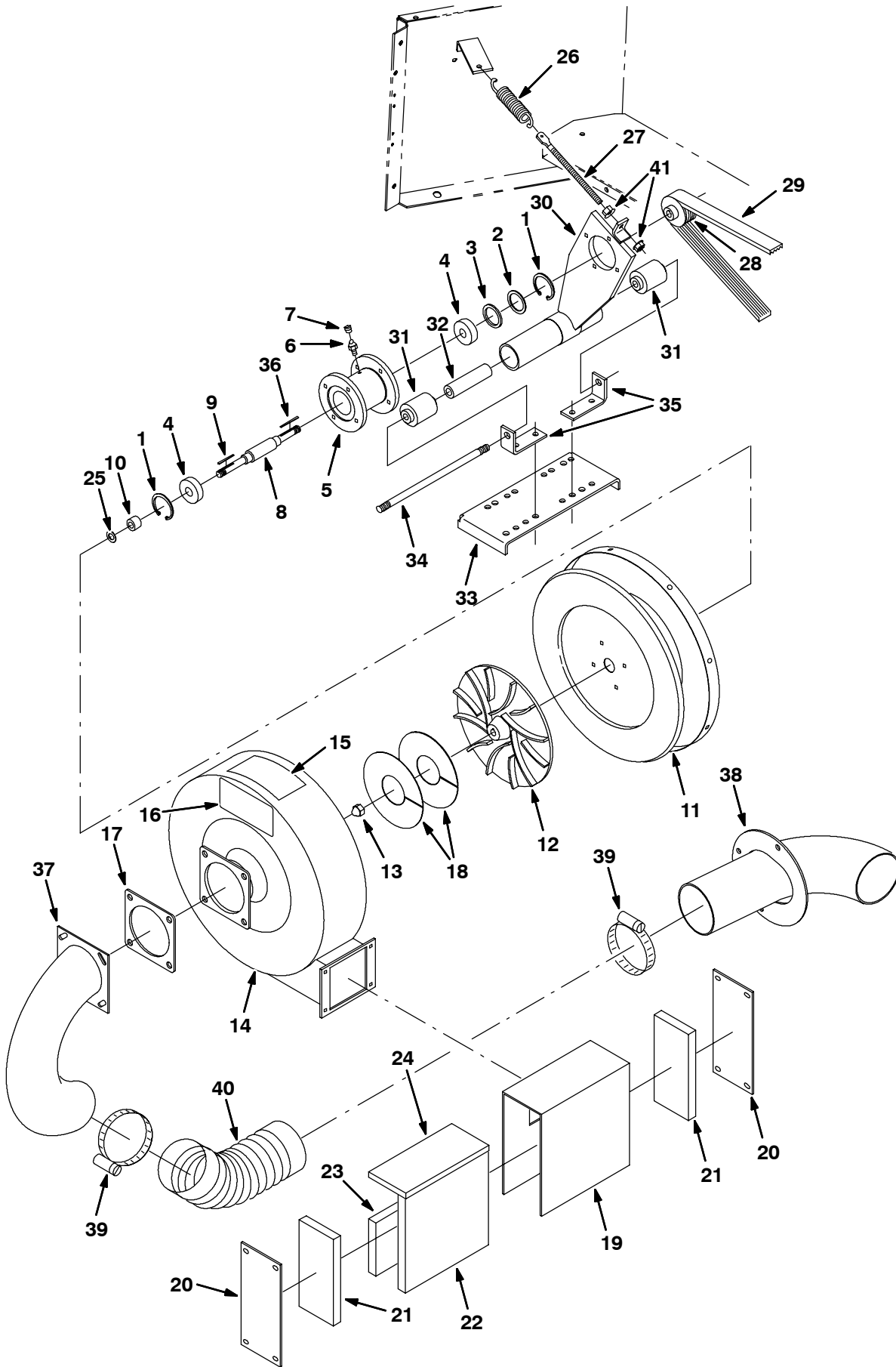




Fig. 35 - Vacuum Fan Assembly, Diesel (001000- )

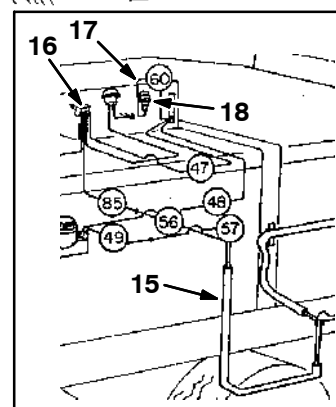
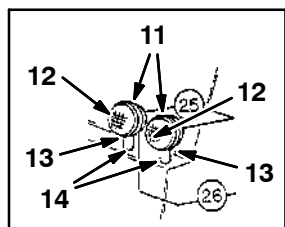
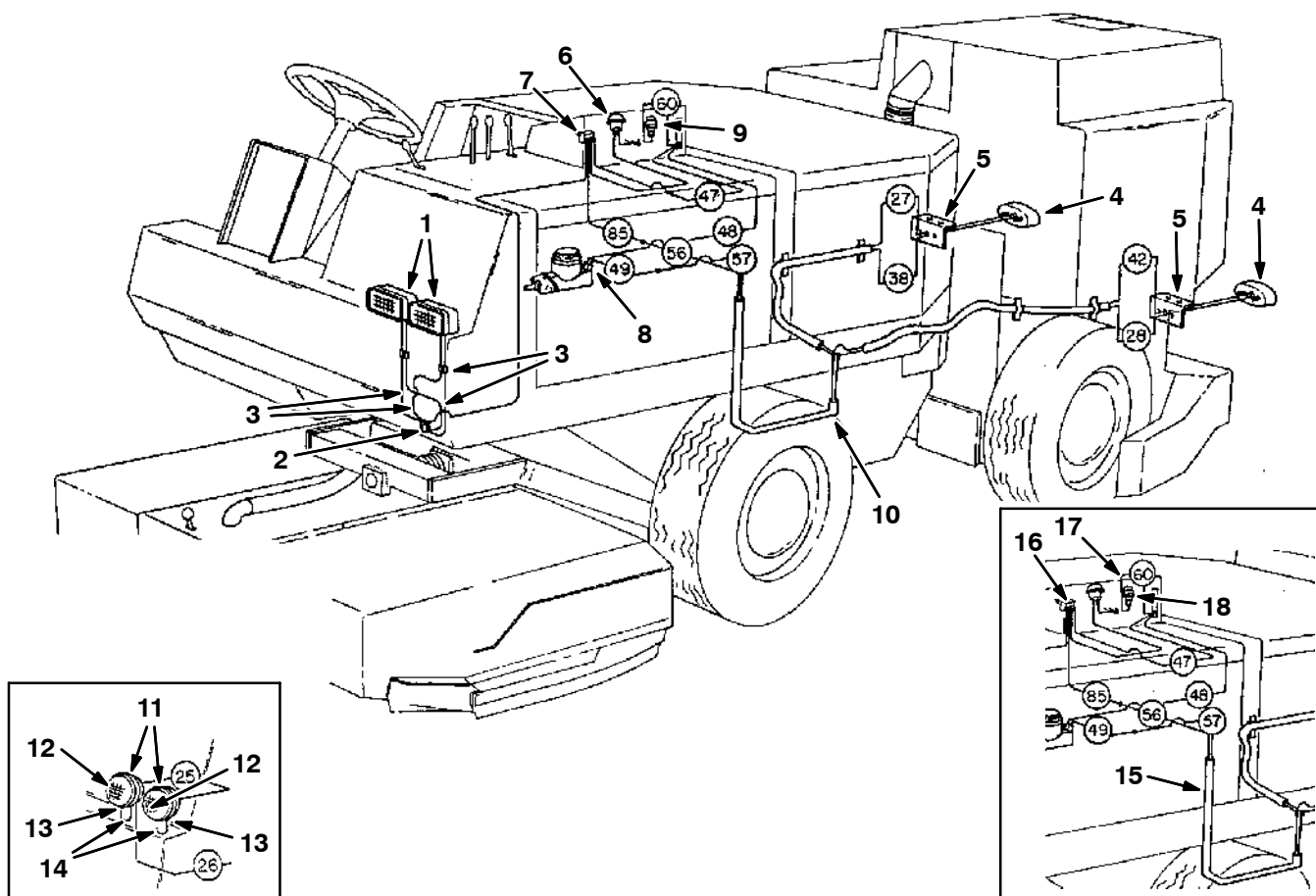
Ref.	Part No.	Serial Number	Description	Qty.
▽	61701	(001000-	) Fan Assembly, Vacuum	1
▲	1 10464	(001000-	) Ring, Retaining	2
▲	2 75454	(001000-	) Shim	1
▲	3 42809	(001000-	) Washer, Wavy	1
▲	4 40496	(001000-	) Bearing, Ball	2
▲	5 16400	(001000-	) Housing, Bearing	1
▲	6 47801	(001000-	) Fitting, Grease	1
▲	7 40390	(001000-	) Cover, Grease	1
▲	8 375613	(001000-	) Shaft, Fan	1
▲	9 00966	(001000-	) Key, Square	1
▲	10 75461	(001000-	) Sleeve	1
▲	11 58107	(001000-	) Housing, Rear	1
▲	12 03922	(001000-	) Impeller	1
▲	13 41130	(001000-	) Nut, Low Crown	1
▲▽	25383	(001000-	) Housing Assembly, Front	1
▲▲	14 25189	(001000-	) Housing, Front	1
▲▲	15 41007	(001000-	) Label, Lubricating Instructions	1
▲▲	16 40052	(001000-	) Label, Danger, Fan Suction	1
▲▲	17 25216	(001000-	) Gasket, Fan	1
▲	18 58114	(001000-	) Repair Kit, Fan Assembly	1
▲▽	09314	(001000-	) Muffler Assembly	1
▲▲	19 25207	(001000-	) Frame, Muffler	1
▲▲	20 391854	(001000-	) Plate, Side	2
▲▲	21 25373	(001000-	) Foam, Acoustic	2
▲▲	22 25359	(001000-	) Foam, Acoustic	1
▲▲	23 25364	(001000-	) Foam, Acoustic	1
▲▲	24 25365	(001000-	) Foam, Acoustic	1
▲	25 75456	(001000-	) Shim, 0.003" (0.07 mm)	1
▲	75456-1	(001000-	) Shim, 0.005" (0.12 mm)	1
▲	75456-2	(001000-	) Shim, 0.010" (0.25 mm)	2
▲	75456-3	(001000-	) Shim, 0.020" (0.50 mm)	2
▲	75456-4	(001000-	) Shim, 0.060" (1.52 mm)	2
	26 50864	(001000-	) Spring, Tension	1
	27 42331-1	(001000-	) Bolt, Eye	1
	28 375614	(001000-	) Sheave, Fan	1
	29 391844	(001000-001505)	) V-Belt	1
	29 1011727	(001508-	) Belt, Ribbed, [K 8], 70.0l	1
▽	25640	(001000-	) Bracket Mounting Assembly, Fan	1
▲	30 25632	(001000-	) Bracket, Mounting	1
▲	31 25384	(001000-	) Bearing	2
▲	32 25636	(001000-	) Spacer	1
	33 378967	(001000-	) Bracket Wldt, Mtg	1
	34 25637	(001000-	) Rod, Threaded	1
	35 25639	(001000-	) Bracket, Angle	2
	36 00911	(001000-	) Key, Square	1
	37 25212	(001000-	) Tube, Intake	1
	38 09311	(001000-	) Tube, Inlet	1
	39 23498	(001000-	) Clamp, Wormdrive	2
	40 40870-2	(001000-	) Hose Assembly	1
	41 27980	(001000-	) Nut, Hex, Flng, .38-16	2



# SECTION 9

<b>Contents</b>	<b>Page</b>
Fig. 1 - Light Kit .....	9-2
Fig. 2 - Flashing Light Kit .....	9-4
Fig. 3 - Revolving Light Group .....	9-5
Fig. 4 - Revolving Light Kit, Overhead Guard ...	9-6
Fig. 5 - Overhead Guard Kit .....	9-7
Fig. 6 - Brush Pressure Warning Kit .....	9-8
Fig. 7 - Sludge Removal Tool Assembly .....	9-9
Fig. 8 - Drain Pump Group .....	9-10
Fig. 9 - Squeegee Wand Kit .....	9-12
Fig. 10 - Reserve LPG Tank Group with Filler Valve .....	9-14
Fig. 11 - Fire Extinguisher Kit .....	9-15
Fig. 12 - Protectoseal Gasoline Cap .....	9-15
Fig. 13 - Wheel Assembly, Foam Filled .....	9-16
Fig. 14 - Solution Tank Drain Kit .....	9-16
Fig. 15 - Rear View Mirror Kit .....	9-17
Fig. 16 - Spark Arresting Muffler Kit .....	9-17
Fig. 17 - Side Squeegees Extension Kit .....	9-18
Fig. 18 - Heavy Duty Air Filter Group (001403-001505) .....	9-19
Fig. 19 - Documentation Group .....	9-20

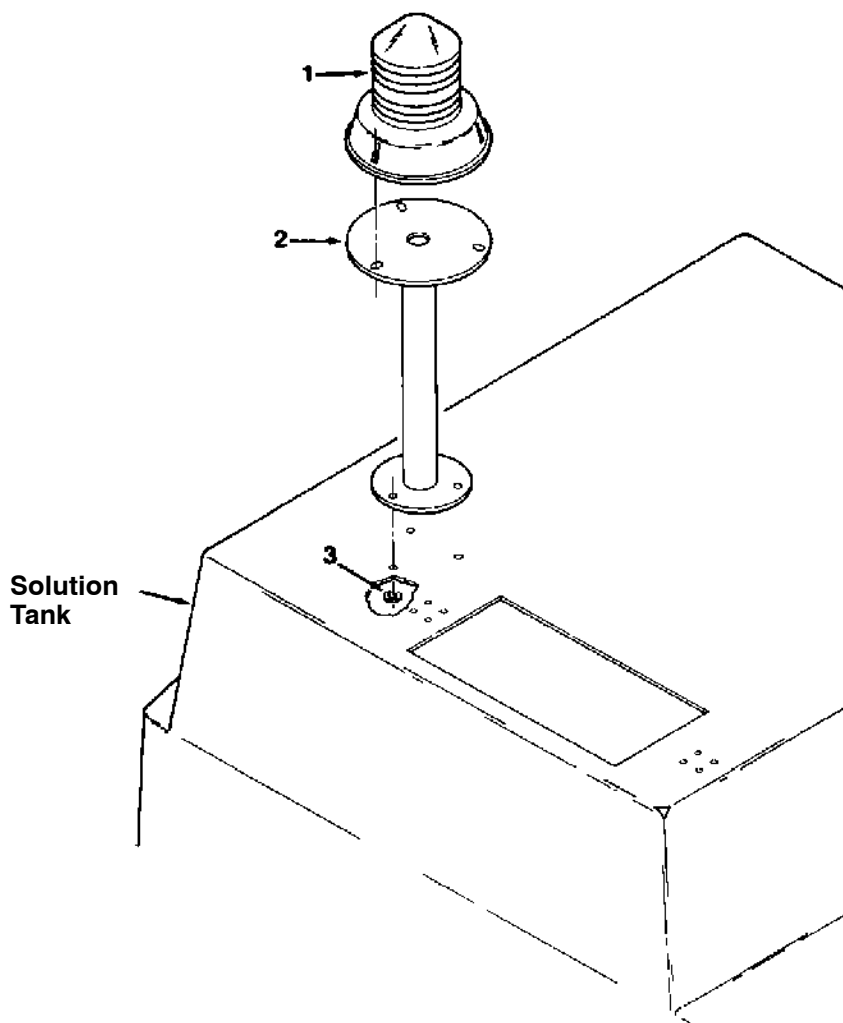
Fig. 1 - Light Kit



**Fig. 1 - Light Kit**

	<b>Ref.</b>	<b>Part No.</b>	<b>Serial Number</b>	<b>Description</b>	<b>Qty.</b>
▽		61681	(001000-	) Light Kit, 1550	1
▲	1	24298	(001106-	) Headlight Assembly	2
▲	2	79102	(001106-	) Wire Assembly. Headlight	2
▲	3	76062	(001106-	) Insulator	1
▲▽	4	51572	(001000-	) Taillight	2
▲▲		45780	(001000-	) Bulb	1
▲	5	49022	(001000-	) Bracket, Taillight	2
▲▽	6	46711	(001000-	) Light, Panel	1
▲▲		24427	(001000-	) Bulb	1
▲	7	66101	(001508-	) Switch, Toggle, 250vac 06a Spst On/Of	1
▲	8	13959	(001000-	) Switch, Brake Light Sending	1
▲	9	383723	(001508-	) Circuitbreaker, 20.0a, Resetable	1
▲	10	391922	(001508-	) Harness, Taillight [1550]	1
▲		78153	(001000-	) Wire Kit, Operating Lights	1
▲		49266	(001000-	) Tie, Cable	6
▲		45339	(001000-	) Terminal, Ring	2
▲		10632-19	(001000-	) Grommet, Rubber	1
▲		45223	(001000-	) Terminal,	1
▲		29192	(001000-	) Terminal, Ring	1
	11	21639	(001000-001105	) Light Kit, Hd-Tl/550	2
	12	32826	(001000-001105	) Bulb, Sealed Beam	1
	13	24227	(001000-001105	) Washer, Dished	2
	14	24142	(001000-001105	) Washer, Spherical	4
	15	61652	(001000-001505	) Wire Harness, Light, 1550	1
	16	10701	(001000-001505	) Switch, Toggle	1
	17	07422	(001000-001505	) Holder, Fuse	1
	18	383723	(001000-001505	) Circuitbreaker, 20.0a, Resetable	1

**Fig. 2 - Flashing Light Kit**

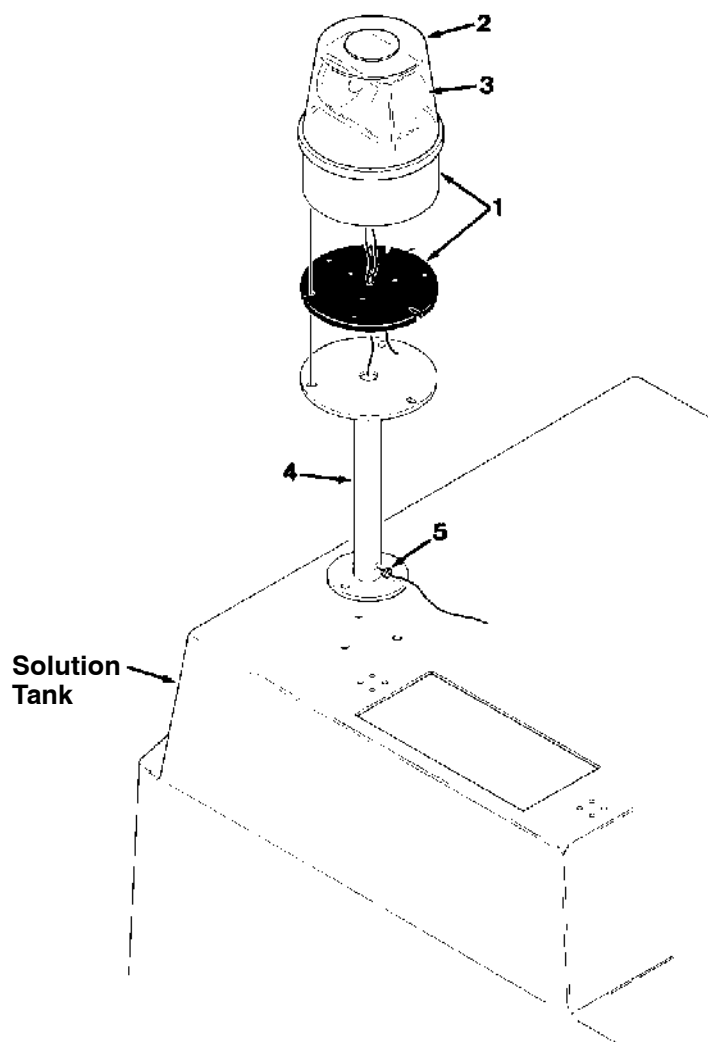


00347 - 550, 1550

Ref.	Part No.	Serial Number	Description	Qty.
▽	79428	(001000-	) Light Kit, Flashing	1
▲▽	1 47535	(001000-	) Lamp Assembly, Flashing	1
▲▲	47535-2	(001000-	) Lamp, Flashing	1
▲▲	47535-1	(001000-	) Lens, Lamp, Red	1
▲▲	22640	(001000-	) Bulb	1
▲▲	24576-1	(001000-	) Bracket, Flasher	1
▲▲	24576	(001000-	) Flasher	1
▲	2 16513	(001000-	) Support, Light	1
▲	79436	(001000-	) Wire Kit	1
▲	66101	(001508-	) Switch, Toggle, 250vac 06a Spst On/Of	1
▲	3 76426	(001000-	) Washer, Sealing	3
▽	47536	(001000-	) Lamp Assembly, Flashing, Amber	1
▲	47536-1	(001000-	) Lens, Lamp, Amber	1
▽	47537	(001000-	) Lamp Assembly, Flashing, Blue	1
▲	47537-1	(001000-	) Lens, Lamp, Blue	1
	10701	(001000-001505 )	Switch	1

*NOTE: To identify parts shown but not listed here, see Section 6, Standard Parts.*

Fig. 3 - Revolving Light Group

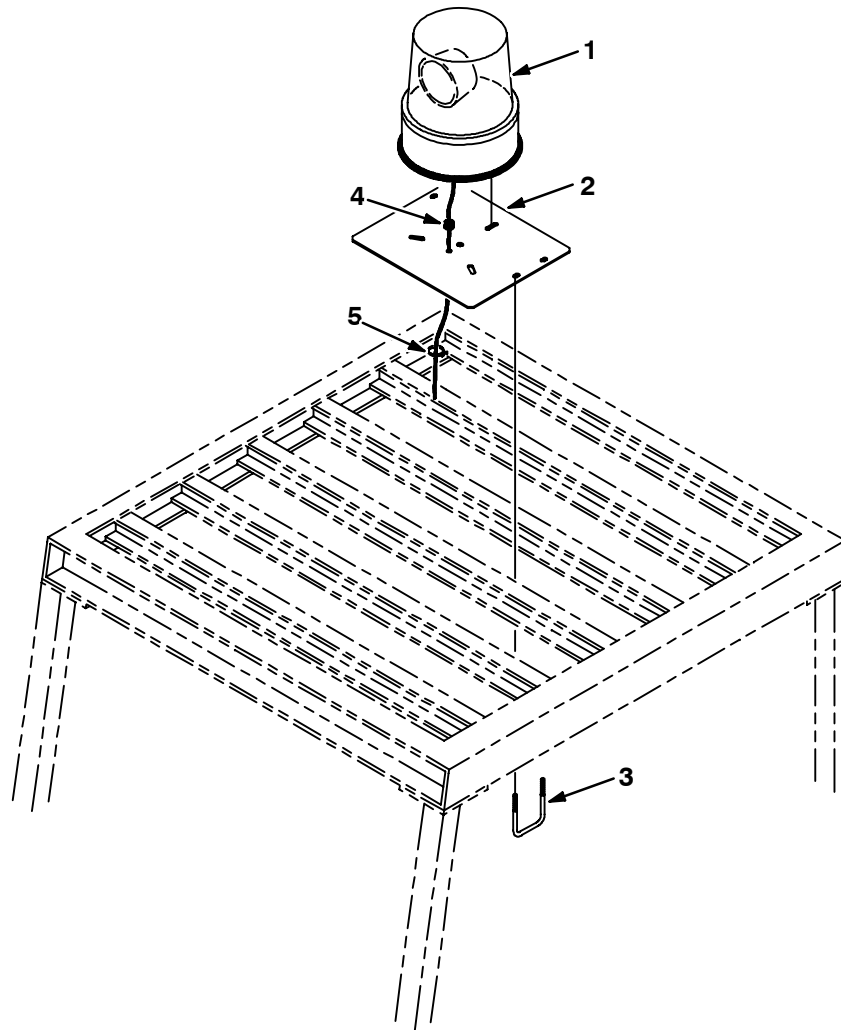


02387 - 550, 1550

Ref.	Part No.	Serial Number	Description	Qty.
▽	1	16418	(001000- ) Light Assembly, Revolving Red	1
▲	2	16421	(001000- ) Lens, Red	1
▲	3	16511	(001000- ) Bulb	2
	4	31960	(001000- ) Support, 13 in (330 mm)	1
	4	60969	(001000- ) Support, 10 in (254 mm)	1
	5	46314	(001000- ) Grommet	1
		49262	(001000- ) Clamp, Conduit	5
		66101	(001508- ) Switch, Toggle, 250vac 06a Spst On/Of	1
▽	16419	(001000- ) Light Assembly, Revolving Blue	1	
▲	16422	(001000- ) Lens, Blue	1	
▲	16511	(001000- ) Bulb	2	
▽	16420	(001000- ) Light Assembly, Revolving Amber	1	
▲	16423	(001000- ) Lens, Amber	1	
▲	16511	(001000- ) Bulb	2	
	10701	(001000-001505 ) Switch, Toggle	1	

NOTE: To identify parts shown but not listed here, see Section 6, Standard Parts.

**Fig. 4 - Revolving Light Kit, Overhead Guard**

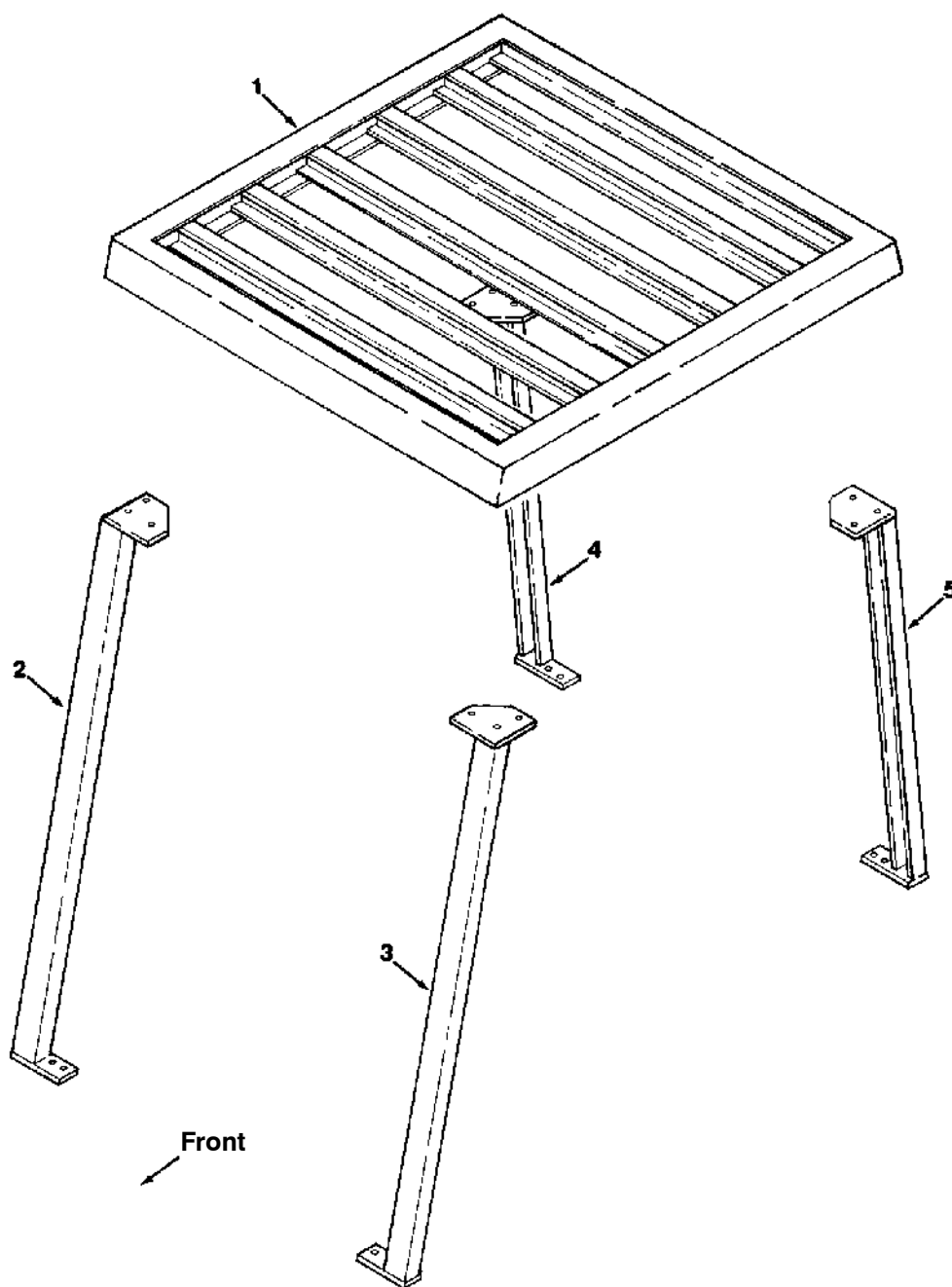


001108 - 550, 1550

Ref.	Part No.	Serial Number	Description	Qty.
▽	78161	(001000-	) Light Kit, Revolving	1
▲▽	1 16418	(001000-	) Lamp Assembly, Revolving	1
▲▲	46928-1	(001000-	) Lens, Lamp, Red	1
▲▲	45670	(001000-	) Bulb	1
▲	2 33782	(001000-	) Plate, Mounting	1
▲	3 33783	(001000-	) V-Bolts	2
▲▽	78154	(001000-	) Wire Kit	1
▲▲	4 10632-5	(001000-	) Grommet, Rbr, 0.25id, F/ 0.8h, .09 Matl	1
▲	66101	(001508-	) Switch, Toggle, 250vac 06a Spst On/Of	1
▲	5 09384	(001000-	) Clamp, Cable	5
▲▽	16420	(001000-	) Lamp Assembly, Revolving, Amber	1
▲▲	16423	(001000-	) Lens, Lamp, Amber	1
▲▽	16419	(001000-	) Lamp Assembly, Revolving, Blue	1
▲▲	16422	(001000-	) Lens, Lamp, Blue	1
	10701	(001000-001505)	) Switch, Toggle	1



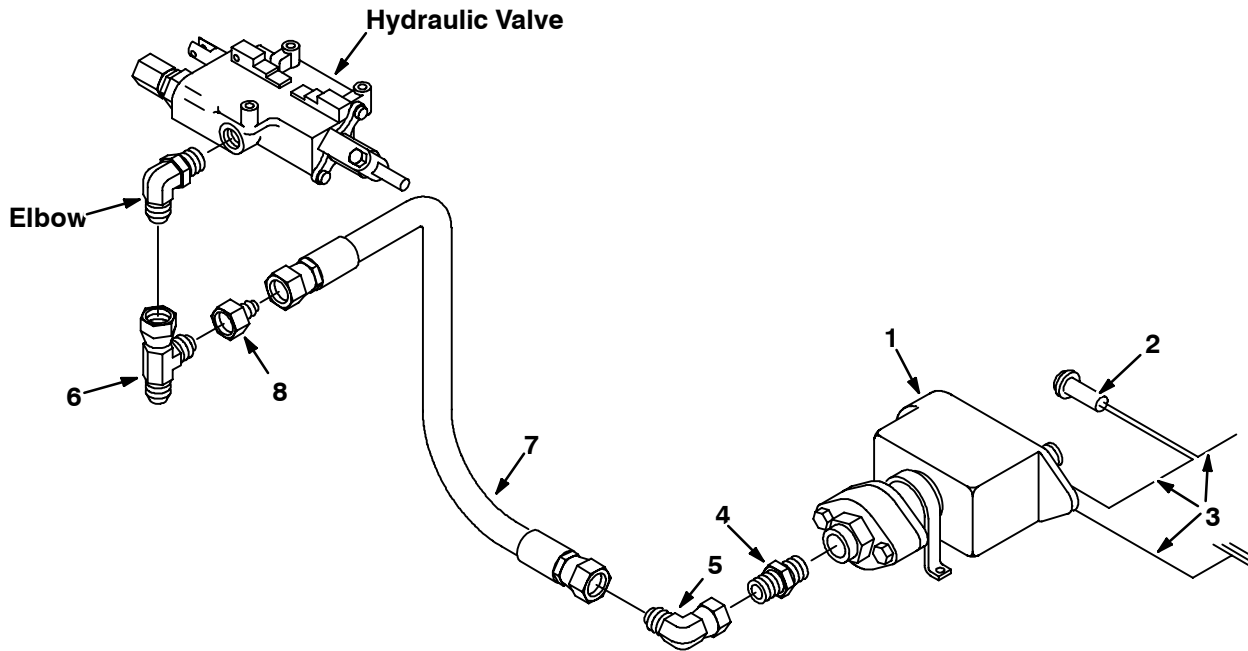
Fig. 5 - Overhead Guard Kit



00317 - ALL

Ref.	Part No.	Serial Number	Description	Qty.
▽	75903	(001000-	) Guard Kit, Overhead	1
▲	1 76862	(001000-	) Guard, Top	1
▲	2 76858	(001000-	) Leg, Front, R.H.	1
▲	3 76859	(001000-	) Leg, Front, L.H.	1
▲	4 76860	(001000-	) Leg, Rear, R.H.	1
▲	5 76861	(001000-	) Leg, Rear, L.H.	1

**Fig. 6 - Brush Pressure Warning Kit**

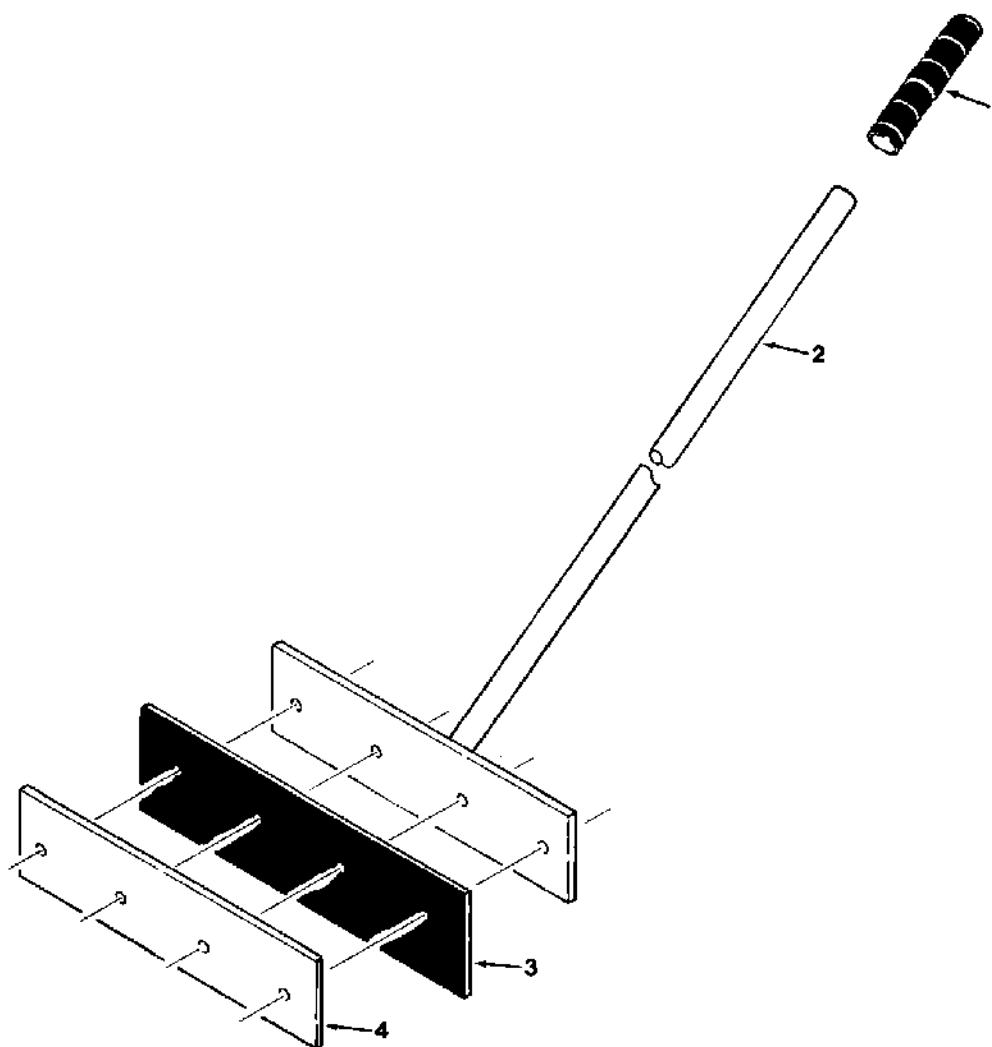


02858 - 1550

Ref.	Part No.	Serial Number	Description	Qty.
▽	03992	(001000-	) Warning Kit, Brush Pressure	1
▲ 1	62417-2	(001000-	) Switch, Pressure	1
▲ 2	374119	(001000-	) Lamp Assy, Indicator, Red, 14Vdc	1
▲ 3	78157	(001000-	) Wire Kit	1
▲ 4	15724	(001000-	) Fitting, Straight	1
▲ 5	47504	(001000-	) Fitting, Elbow	1
▲ 6	40514	(001000-	) Fitting, Tee	1
▲ 7	49943	(001000-	) Hose, Hydraulic	1
▲ 8	34375	(001000-	) Fitting, Straight	1

*NOTE: To identify parts shown but not listed here, see Section 6, Standard Parts.*

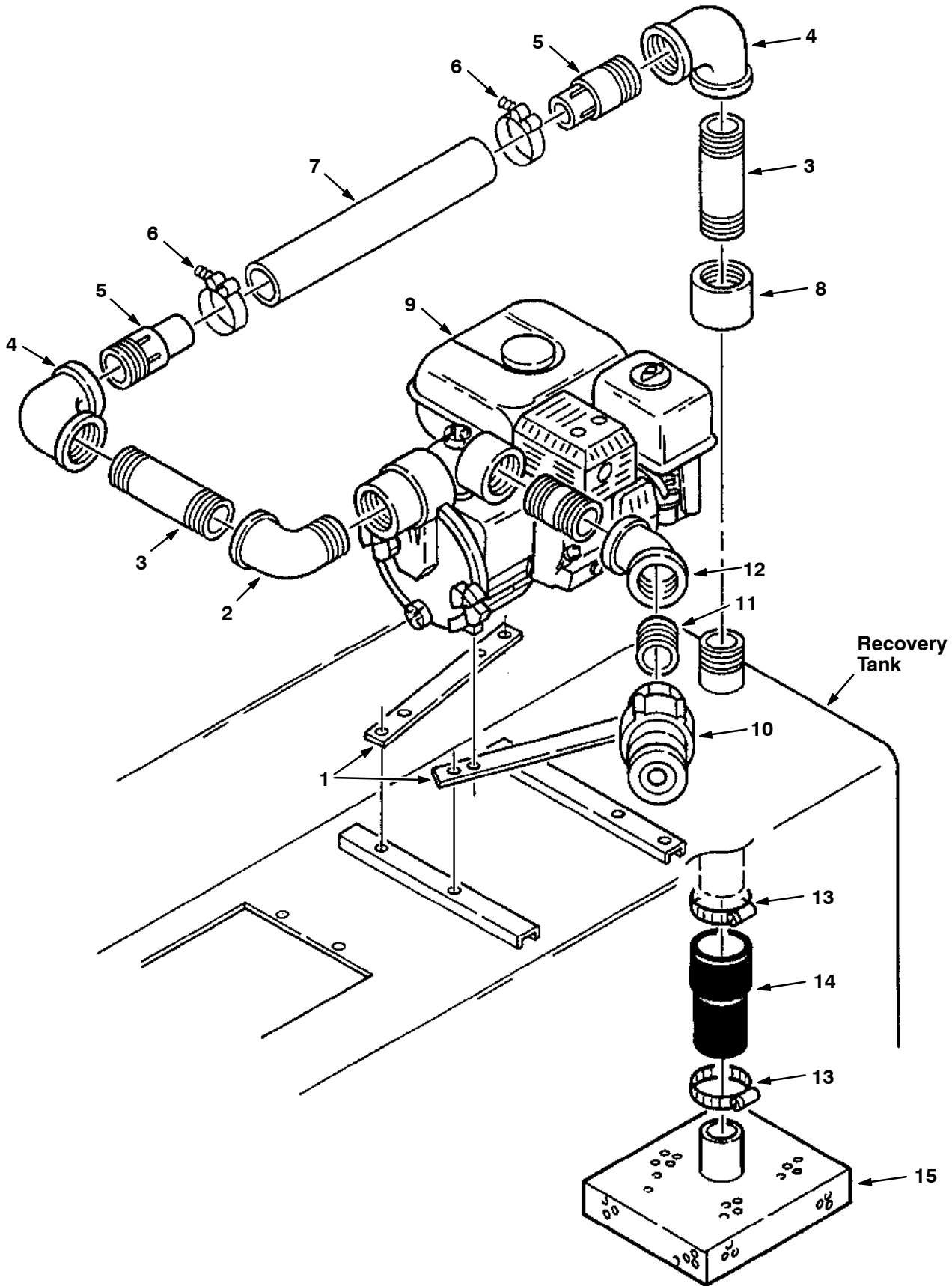
Fig. 7 - Sludge Removal Tool Assembly



00338 - ALL

Ref.	Part No.	Serial Number	Description	Qty.
▽	79518	(001000-	) Tool Assembly, Sludge Removal	1
▲ 1	03292B	(001000-	) Grip, Handle	1
▲ 2	79517	(001000-	) Handle, Sludge Removal	1
▲ 3	79515	(001000-	) Squeegee	1
▲ 4	79508-1	(001000-	) Retainer, Squeegee	1

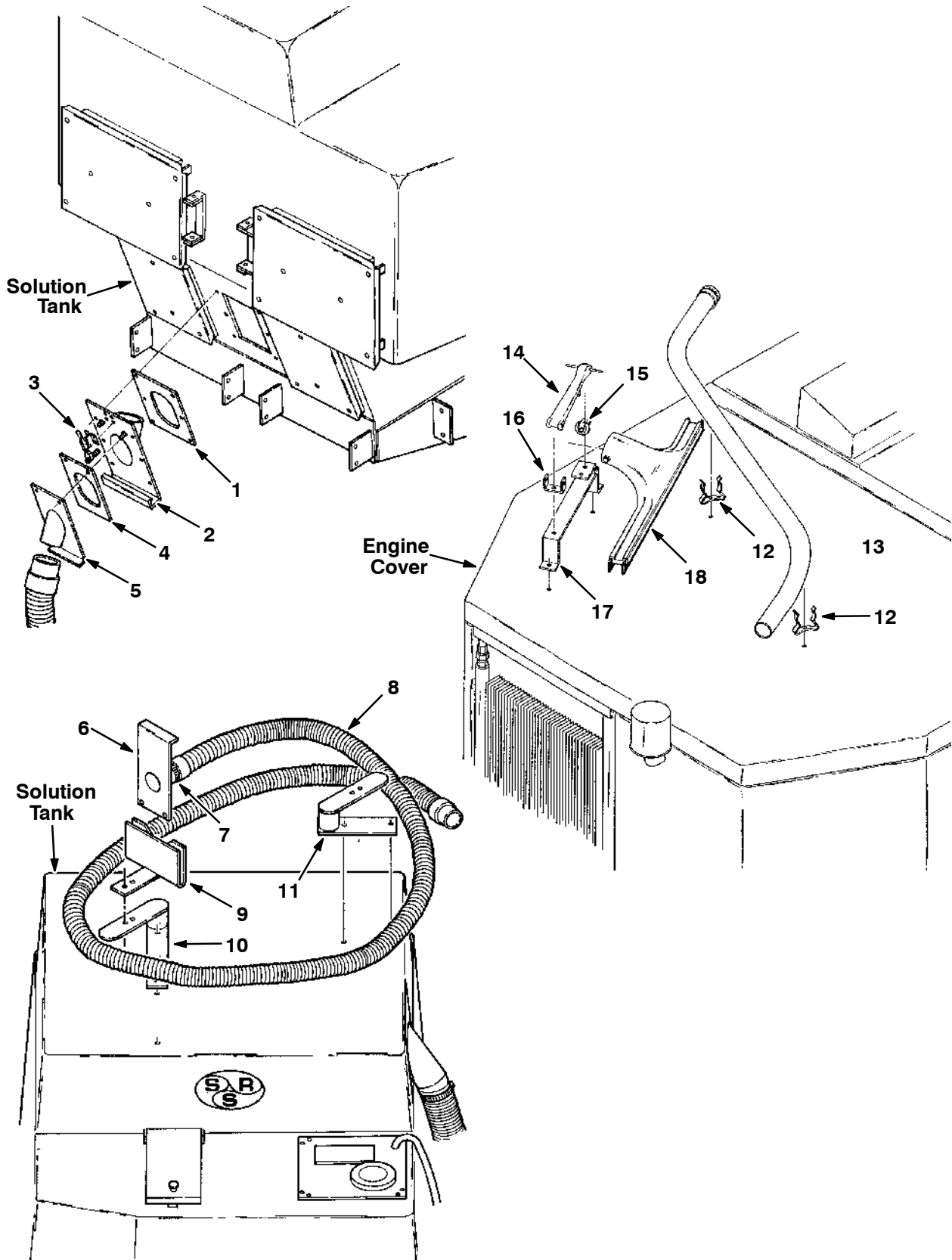
Fig. 8 - Drain Pump Group



**Fig. 8 - Drain Pump Group**

<b>Ref.</b>	<b>Part No.</b>	<b>Serial Number</b>	<b>Description</b>	<b>Qty.</b>
1	61629	(001000-	) Plate, Motor Mounting	2
2	61630	(001000-	) Fitting, Elbow	2
3	61631	(001000-	) Fitting, Nipple	2
4	61632	(001000-	) Fitting, Elbow	2
5	61637	(001000-	) Fitting, Nipple	2
6	61633	(001000-	) Clamp, Hose	2
7	61634	(001000-	) Hose	1
8	61685	(001000-	) Fitting, Coupling	1
9	61627	(001000-	) Engine and Pump	1
10	61262	(001000-	) Adapter	1
11	61023	(001000-	) Fitting, Nipple	2
12	61645	(001000-	) Fitting, Elbow, 45°	1
13	14432	(001000-	) Clamp, Worm Drive	2
14	61179	(001000-	) Hose, Suction	1
15	61252	(001000-	) Strainer, Suction	1

Fig. 9 - Squeegee Wand Kit

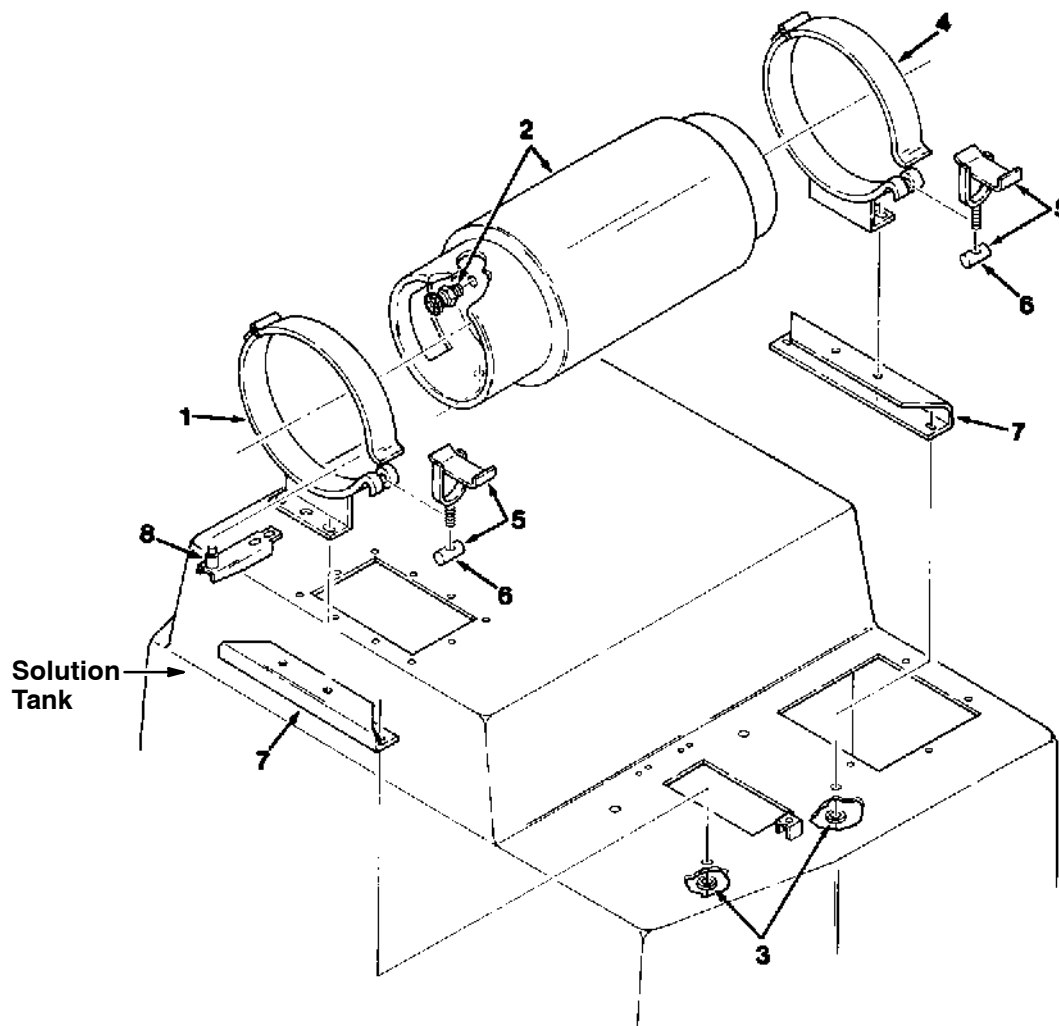


NOTE: To identify parts shown but not listed here, see Section 6, Standard Parts.

**Fig. 9 - Squeegee Wand Kit**

	<b>Ref.</b>	<b>Part No.</b>	<b>Serial Number</b>	<b>Description</b>	<b>Qty.</b>
▽		79429	(001000-	) Wand Kit, Squeegee	1
▲	1	79545	(001000-	) Gasket, Tank Adaptor	1
▲	2	79538	(001000-	) Adaptor, Tank	1
▲	3	03823	(001000-	) Clamp, Toggle	1
▲	4	79546	(001000-	) Gasket, Wand Adaptor	1
▲	5	79532	(001000-	) Adaptor, Squeegee Wand	1
▲	6	79535	(001000-	) Adaptor, Vacuum Wand	1
▲	7	14432	(001000-	) Clamp, Worm Drive	1
▲	8	75127	(001000-	) Hose	1
▲	9	79547	(001000-	) Bracket, Adaptor, Storage	1
▲	10	50788	(001000-	) Mount, Wand Hose, R.H.	1
▲	11	50789	(001000-	) Mount, Wand Hose, L.H.	1
▲	12	391839	(001000-	) Clip, Finger Grip	2
▲	13	40171	(001000-	) Handle, Nozzle	1
▲	14	75118	(001000-	) Hook, Rubber	1
▲	15	40670	(001000-	) Catch, Rubber Hook	1
▲	16	40671	(001000-	) Bracket, U	1
▲	17	75054	(001000-	) Mount, Squeegee	1
▲	18	40173	(001000-	) Nozzle	1

**Fig. 10 - Reserve LPG Tank Group with Filler Valve**



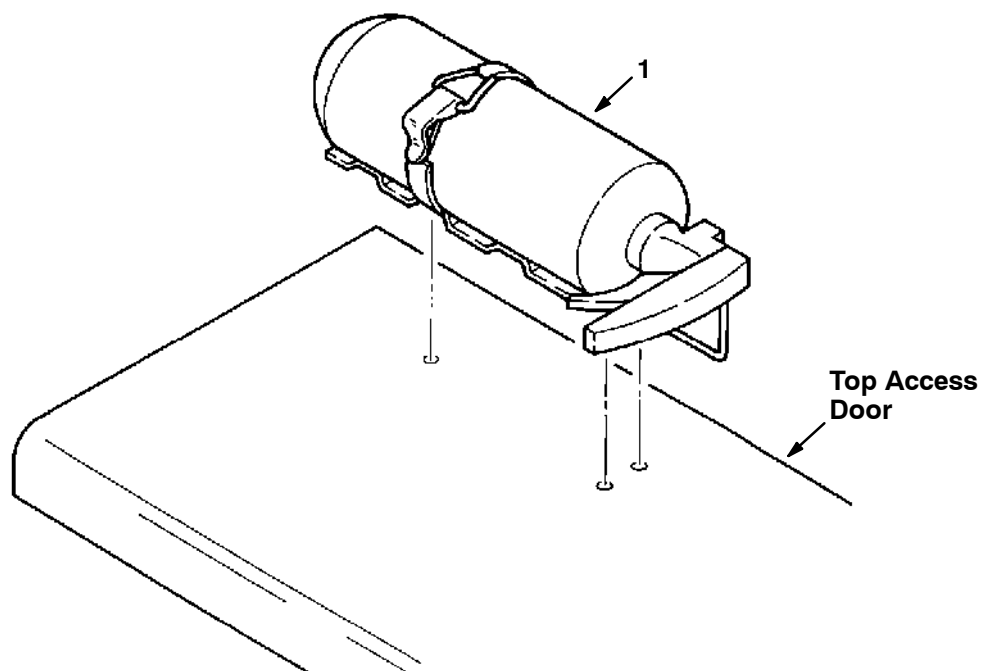
00795 - 550, 1550, LP

Ref.	Part No.	Serial Number	Description	Qty.	
1	53400-3	(001000-	) Mount, LPG Tank	1	
2	24928-1	(001000-	) Tank Assembly, LPG	1	
3	76426	(001000-	) Washer, Rubber	4	
4	53400-2	(001000-	) Mount, LPG Tank	1	
▽	5	53400-1	(001000-	) Latch	2
▲	6	53400-4	(001000-	) Lug	1
	7	79368	(001000-	) Bracket, LPG Tank Mounting, (Replaced by None)	2
	8	53400-5	(001000-	) Locator	1

*NOTE: To identify parts shown but not listed here, see Section 6, Standard Parts.*



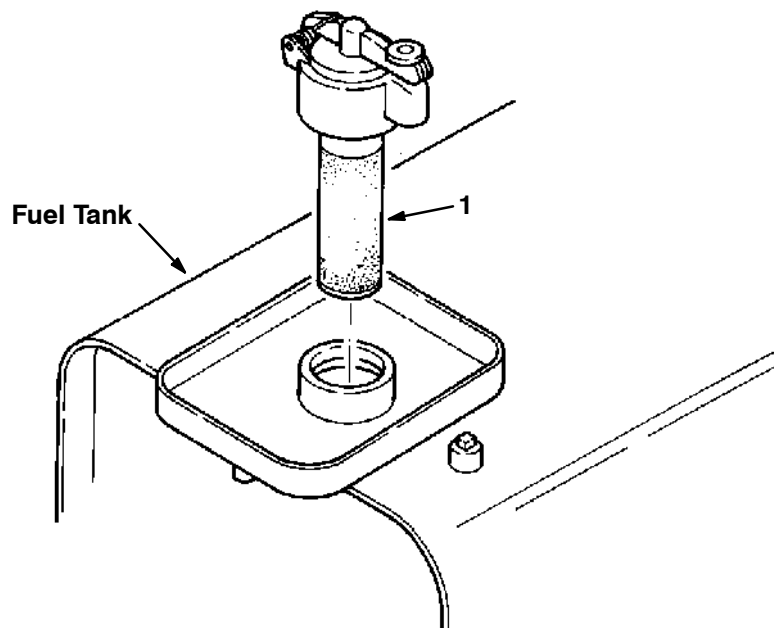
Fig. 11 - Fire Extinguisher Kit



00830 - ALL

Ref.	Part No.	Serial Number	Description	Qty.
▽	78127	(001000-	) Extinguisher Kit, Fire	1
▲ 1	25312	(001000-	) Extinguisher, Fire	1

Fig. 12 - Protectoseal Gasoline Cap

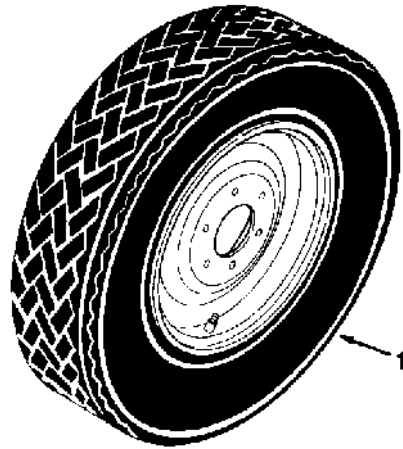


00829 - 550, 1550

Ref.	Part No.	Serial Number	Description	Qty.
1	02506-6	(001000-	) Cap, Gasoline, Protectoseal	1

NOTE: To identify parts shown but not listed here, see Section 6, Standard Parts.

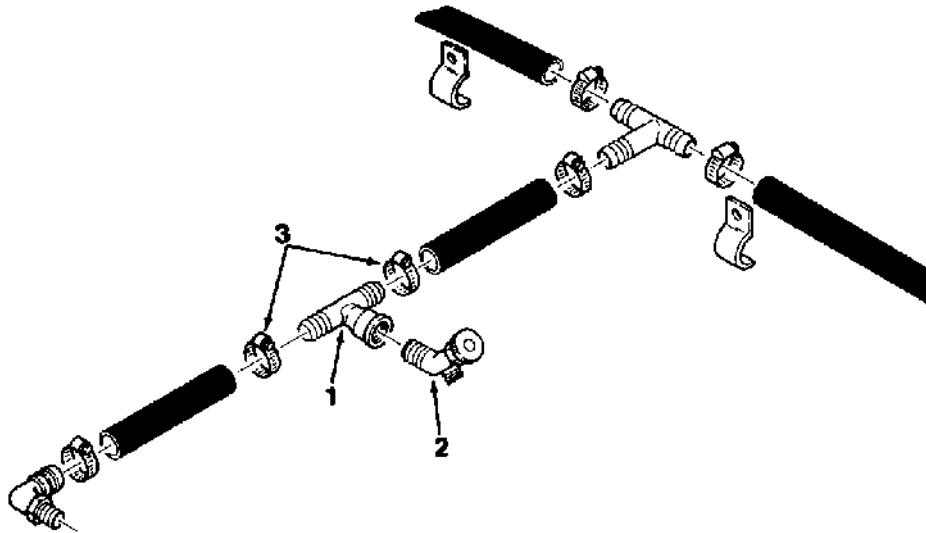
**Fig. 13 - Wheel Assembly, Foam Filled**



06961 - 1550

Ref.	Part No.	Serial Number	Description	Qty.
1	27773	(001000-	) Wheel Assembly, Foam Filled, 1550	4

**Fig. 14 - Solution Tank Drain Kit**

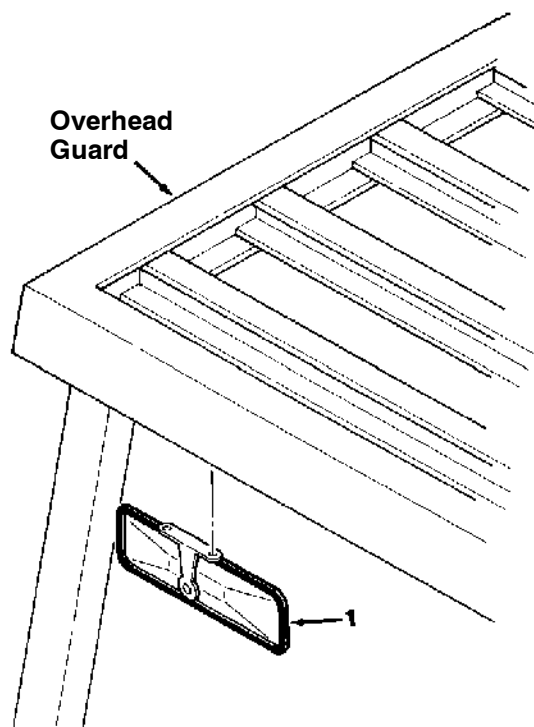


00837 - ALL

Ref.	Part No.	Serial Number	Description	Qty.
▽	75923	(001000-	) Drain Kit, Solution Tank	1
▲ 1	76075	(001000-	) Tee	1
▲ 2	76076	(001000-	) Valve, Water, Drain	1
▲ 3	11399	(001000-	) Clamp, Worm Drive	2

*NOTE: To identify parts shown but not listed here, see Section 6, Standard Parts.*

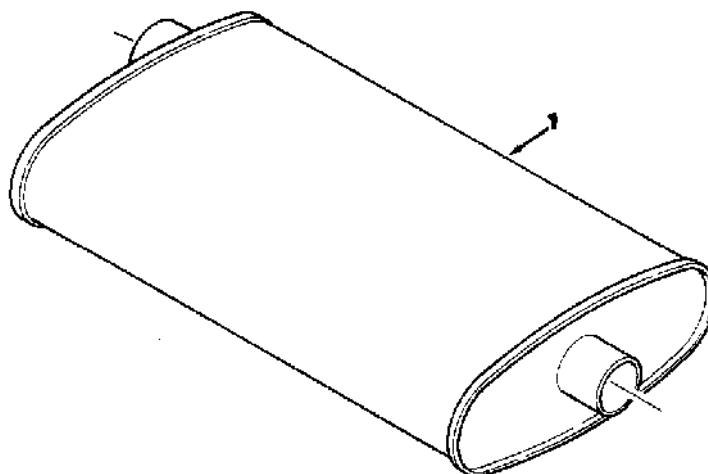
Fig. 15 - Rear View Mirror Kit



00836 - ALL

Ref.	Part No.	Serial Number	Description	Qty.
▽	78156	(001000-	) Mirror Kit, Rear View	1
▲	1 76863	(001000-	) Mirror, Rear View	1

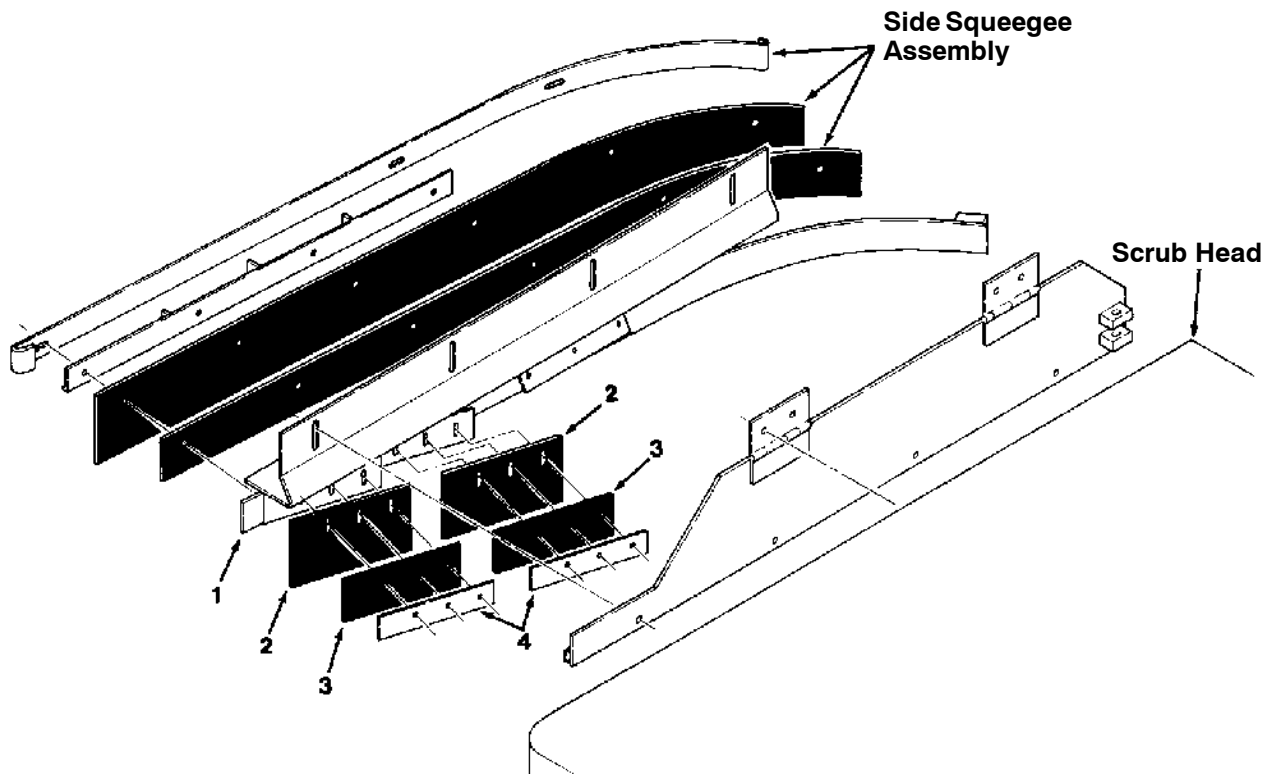
Fig. 16 - Spark Arresting Muffler Kit



00303 - 550, 1550, IC

Ref.	Part No.	Serial Number	Description	Qty.
1	78116	(001000-	) Muffler, Spark Arresting	1

**Fig. 17 - Side Squeegees Extension Kit**

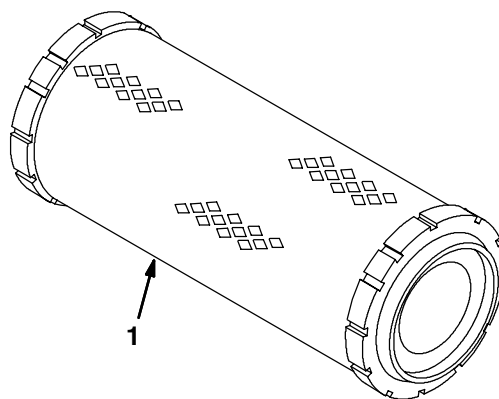


03874 - ALL

Ref.	Part No.	Serial Number	Description	Qty.
▽	04595	(001000-	) Extension Kit, Side Squeegees	1
▲	1 04598	(001000-	) Frame, Side Squeegee, R.H.	1
▲	2 03395	(001000-	) Blade, Squeegee	4
▲	3 03409	(001000-	) Strip, Backup	4
▲	4 03408	(001000-	) Retainer, Blade	4
▲	04597	(001000-	) Frame, Side Squeegee, L.H.	1

*NOTE: To identify parts shown but not listed here, see Section 6, Standard Parts.*

**Fig. 18 - Heavy Duty Air Filter Group (001403-001505)**



353822 - 550, 1550, G, LP, D

<b>Ref.</b>	<b>Part No.</b>	<b>Serial Number</b>	<b>Description</b>	<b>Qty.</b>
1	398279	(001403-001505 )	Element, Fltr, Air, Safety	1

**Fig. 19 - Documentation Group**

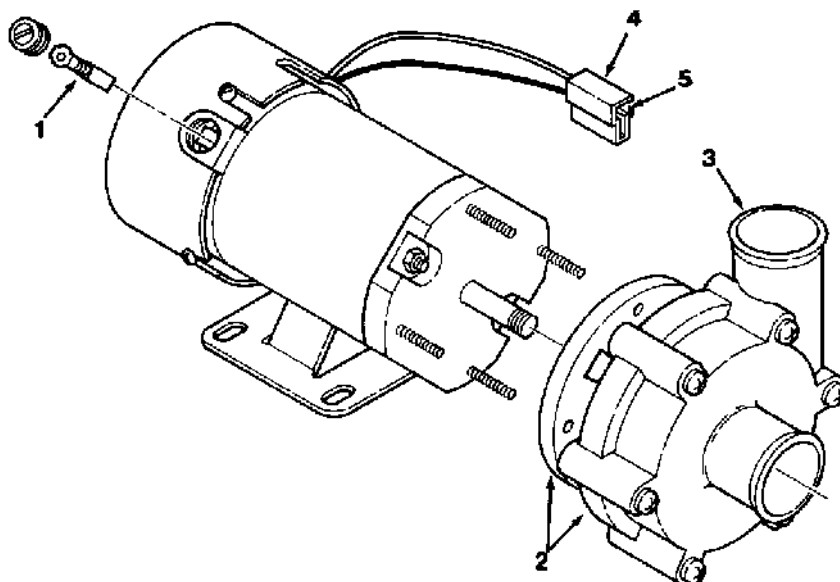
07501 - 1550

<b>Ref.</b>	<b>Part No.</b>	<b>Serial Number</b>	<b>Description</b>	<b>Qty.</b>
	MM283	(001000-	) Manual Pkg, 1550	1
	34792	(001000-001423	) Manual, Engine, Continental, TM27-D	1
	372897	(001508-	) Manual, Service, [Caterpillar 3044c]	1
	393223	(001508-	) Manual, Service, Eng, [Gm 3.0]	1
	10392	(001000-	) Video, Operator, 550	1
	330710	(001000-	) Manual, Cd-Rom, Oprtr & Parts, All (NA)	1
	380503	(001424-001505	) Manual, Service, Perkins 700 Series	1
	9003927	(001508-	) Manual, Eng, Cd-Rom [Tier li,Gm3.0]	1
	9003928	(001508-	) Cable Kit, Ele, Eng [Usb,Tier li Gm]	1
	9003929	(001508-	) Cable Kit, Ele, Eng [Usb,Tier li Gm]	1

## SECTION 10

<b>Contents</b>	<b>Page</b>
Fig. 1 - Solution Pump Breakdown, 33327 . . . . .	10-2
Fig. 2 - Metering Solution Pump Breakdown, 16485 . . . . .	10-3
Fig. 3 - Hydraulic Pump Breakdown, 34310 . . . . .	10-4
Fig. 4 - Hydraulic Pump Breakdown, 48880 . . . . .	10-20
Fig. 5 - Hydraulic Piston Pump Breakdown, 74163 . . . . .	10-5
Fig. 6 - Hydraulic Piston Pump Breakdown, 74163 . . . . .	10-6
Fig. 7 - Hydraulic Piston Pump Breakdown, 373404 . . . . .	10-10
Fig. 8 - Hydraulic Piston Pump Breakdown, 373404 . . . . .	10-12
Fig. 9 - Hydraulic Gear Pump Breakdown, 373245 . . . . .	10-14
Fig. 10 - Hydraulic Gear Pump Breakdown, 79078 . . . . .	10-16
Fig. 11 - Hydraulic Gear Pump Breakdown, 1014956 . . . . .	10-18
Fig. 12 - Manual Control Breakdown, 74273 . . . . .	10-20
Fig. 13 - Hydraulic Motor Breakdown, 27792 . . . . .	10-21
Fig. 14 - Hydraulic Motor Breakdown, 22604 . . . . .	10-22
Fig. 15 - Hydraulic Motor Breakdown, 61489 . . . . .	10-24
Fig. 16 - Hydraulic Steering Valve Breakdown, 57982 . . . . .	10-25
Fig. 17 - Hydraulic Steering Valve Breakdown, 74176 . . . . .	10-26
Fig. 18 - Hydraulic Solenoid Valve Breakdown, 31575 . . . . .	10-27
Fig. 19 - Hydraulic Valve Breakdown, 32761 . . . . .	10-28
Fig. 20 - Hydraulic Flow Switch Breakdown, 31556 . . . . .	10-29
Fig. 21 - Hydraulic Cylinder Breakdown, 04431 . . . . .	10-30
Fig. 22 - Hydraulic Valve Breakdown, 48108A . . . . .	10-31
Fig. 23 - Hydraulic Motor Breakdown, 1023322 . . . . .	10-32
Fig. 24 - Hydraulic Motor Breakdown, 1019272 . . . . .	10-33
Fig. 25 - Hydraulic Solenoid Valve Breakdown, 1020194 . . . . .	10-34
Fig. 26 - LPG EFI Breakdown, 371663 . . . . .	10-36
Fig. 27 - Gasoline EFI Breakdown, 371645 . . . . .	10-38

**Fig. 1 - Solution Pump Breakdown, 33327**

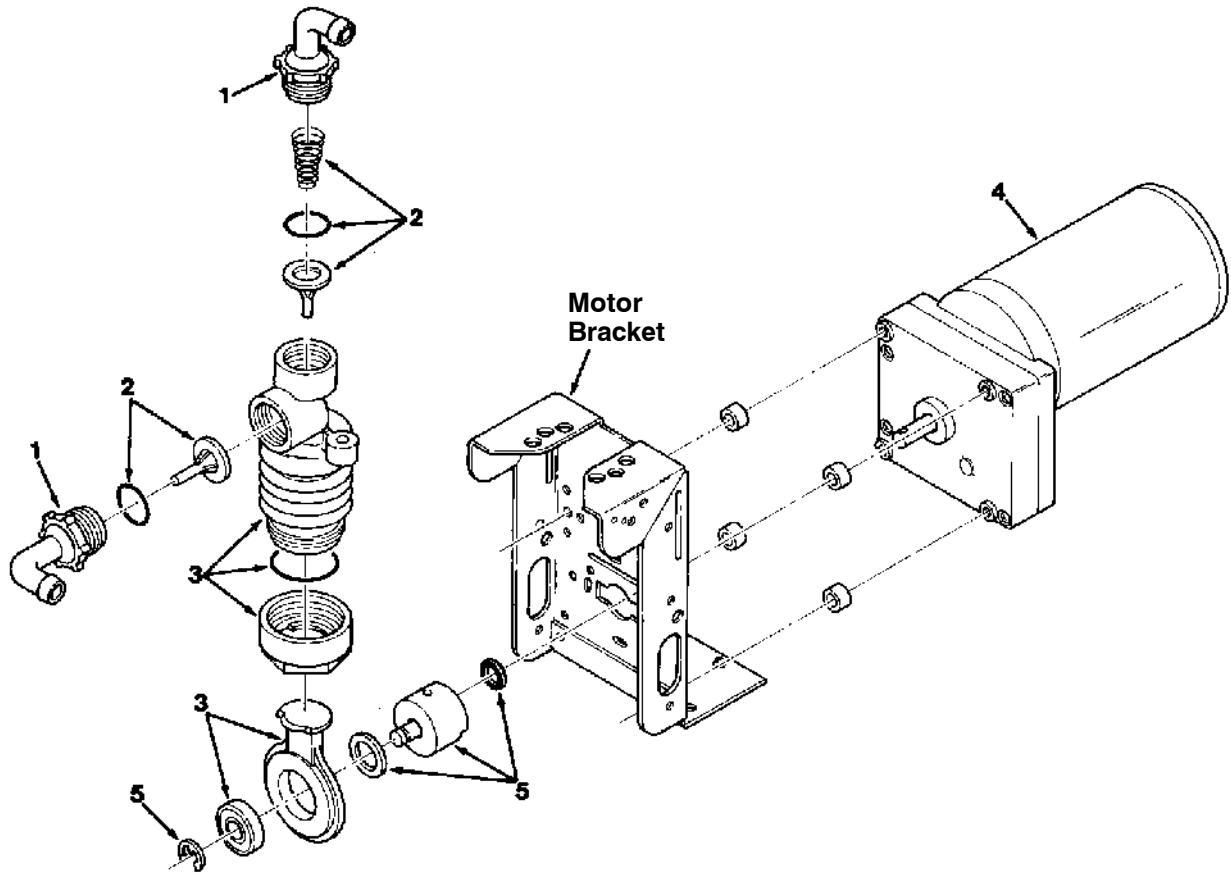


06963 - 550, 1550

Ref.	Part No.	Serial Number	Description	Qty.
▽	33327	(000000-	) Pump Assembly, Solution	1
▲	1 48791	(000000-	) Replacement Kit, Brush	1
▲	2 03711	(000000-	) Replacement Kit, Pump Head	1
▲	3 48789	(000000-	) Replacement Kit, Pump Body	1
▲	4 51406	(000000-	) Connector	1
▲	5 51416	(000000-	) Terminal, Male	2



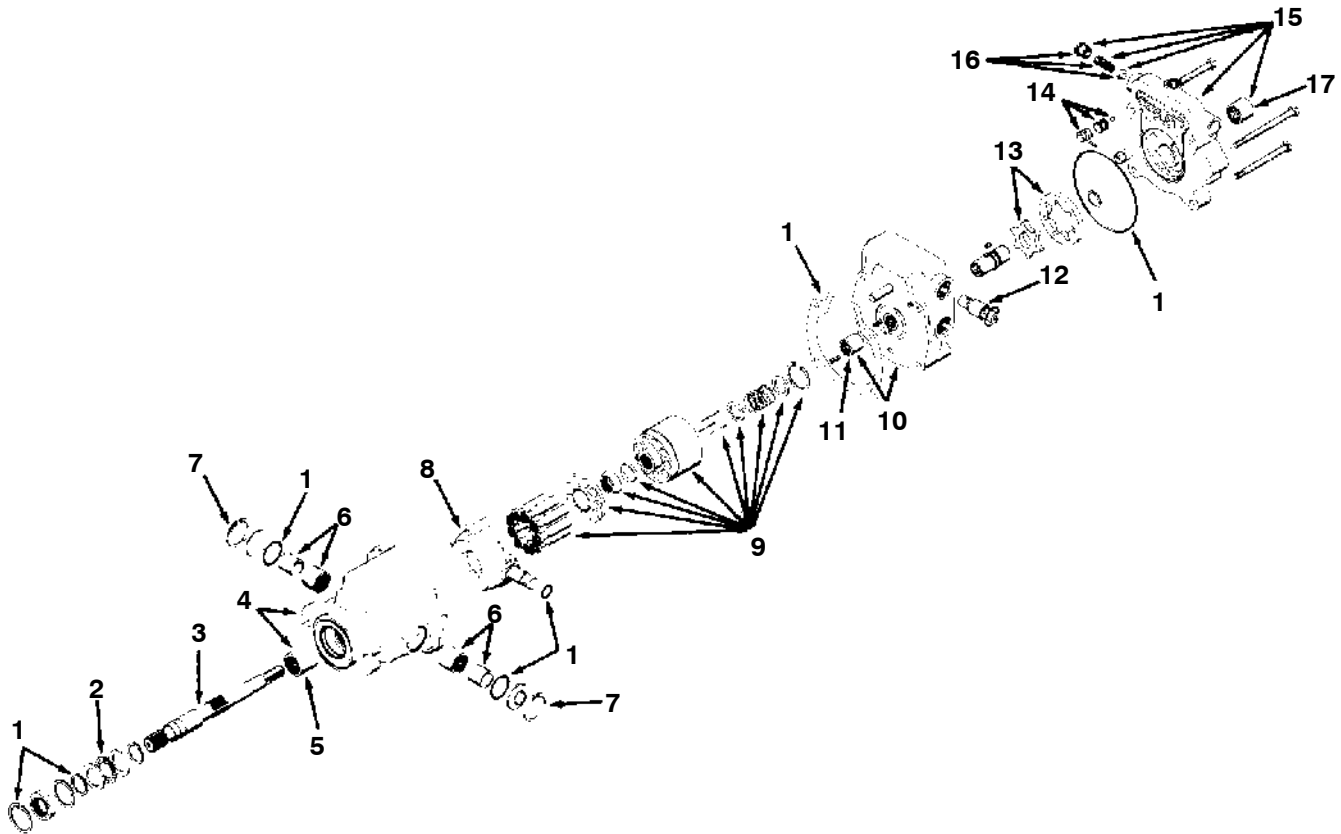
**Fig. 2 - Metering Solution Pump Breakdown, 16485**



00112 - ALL

Ref.	Part No.	Serial Number	Description	Qty.
▽	16485	(000000-	) Pump, Metering Solution	1
▲	1 63923	(000000-	) Connector Kit, Tubing	1
▲	2 63922	(000000-	) Valve Kit, Pump	1
▲	3 63921	(000000-	) Replacement Kit, Bellows	1
▲	4 63924	(000000-	) Motor, Gear	1
▲	5 02430	(000000-	) Crank Replacement Kit	1

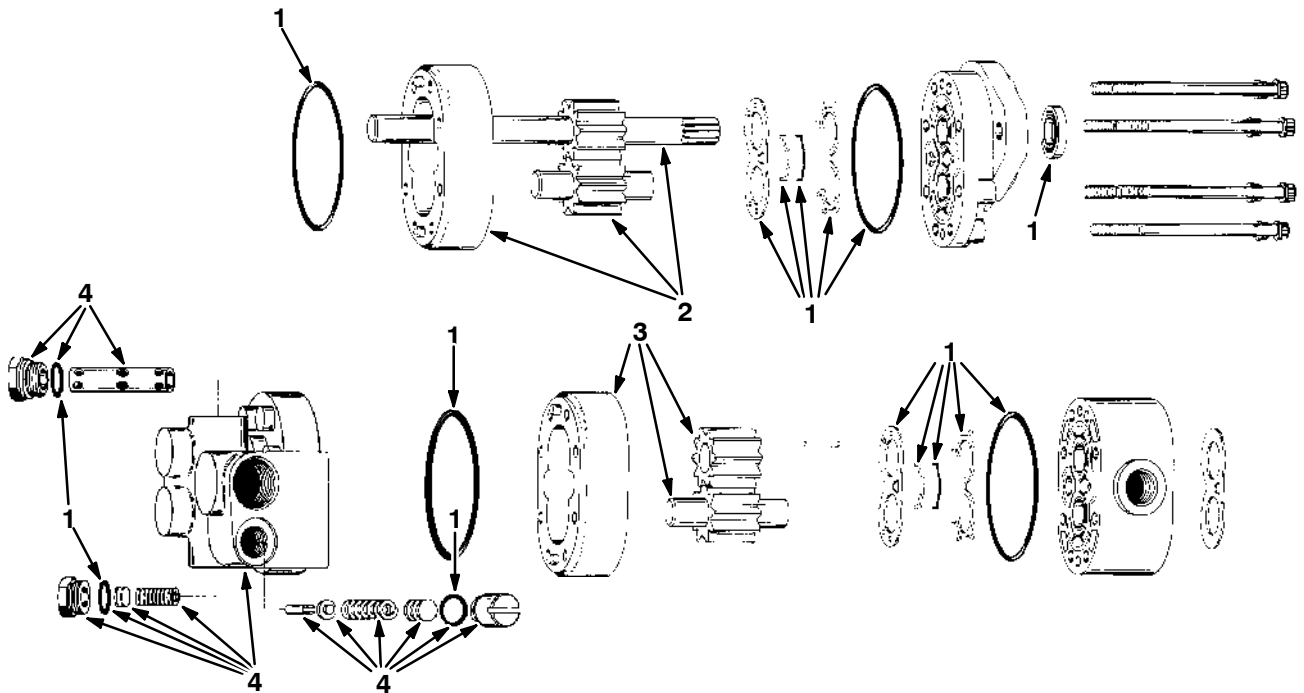
**Fig. 3 - Hydraulic Pump Breakdown, 34310**



01669 - 550, 1550

Ref.	Part No.	Serial Number	Description	Qty.
▽	34310	(000000-	) Pump, Hydraulic (Replaced by None)	1
▲	1 34092	(000000-	) Seal Kit (Replaced by None)	1
▲	2 37467	(000000-	) Bearing, Thrust	1
▲	3 34094	(000000-	) Shaft	1
▲▽	4 37453	(000000-	) Housing Assembly, Pump	1
▲▲	5 37462	(000000-	) Bearing	1
▲	6 34097	(000000-	) Bearing	2
▲	7 55926	(000000-	) Ring, Retaining	2
▲	8 37451	(000000-	) Plate, Cam	1
▲	9 37450	(000000-	) Piston Block Assembly	1
▲▽	10 34158	(000000-	) Housing Assembly, Relief	1
▲▲	11 34159	(000000-	) Bearing	1
▲	12 34160	(000000-	) Valve, Relief	2
▲	13 34161	(000000-	) Pump Kit, Charge	1
▲	14 SK2586	(000000-	) Valve Assembly, Check	1
▲▽	15 34162	(000000-	) Adaptor Assembly	1
▲▲	16 55936	(000000-	) Valve Assembly, Relief (Includes Bearing)	1
▲▲	17 55929	(000000-	) Bearing	1

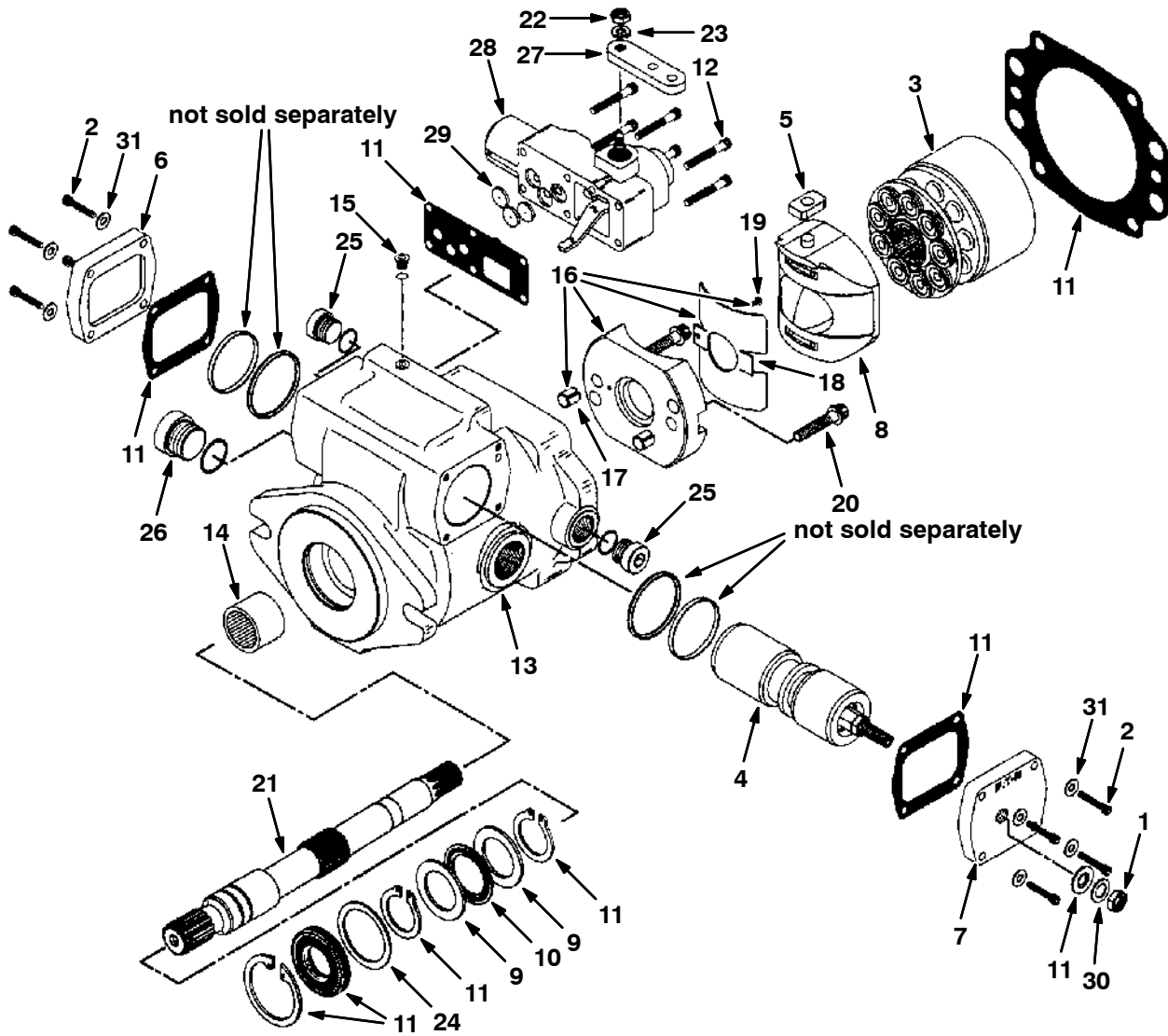
**Fig. 4 - Hydraulic Pump Breakdown, 48880**



06184 - 550, 1550

Ref.	Part No.	Serial Number	Description	Qty.
▽	48880	(000000-	) Pump, Hydraulic	1
▲	1 48906	(000000-	) Seal Kit	1
▲	2 48909	(000000-	) Body and Gear Kit, Front	1
▲	3 48908	(000000-	) Body and Gear Kit, Rear	1
▲	4 48907	(000000-	) Backplate Kit	1

**Fig. 5 - Hydraulic Piston Pump Breakdown, 74163**

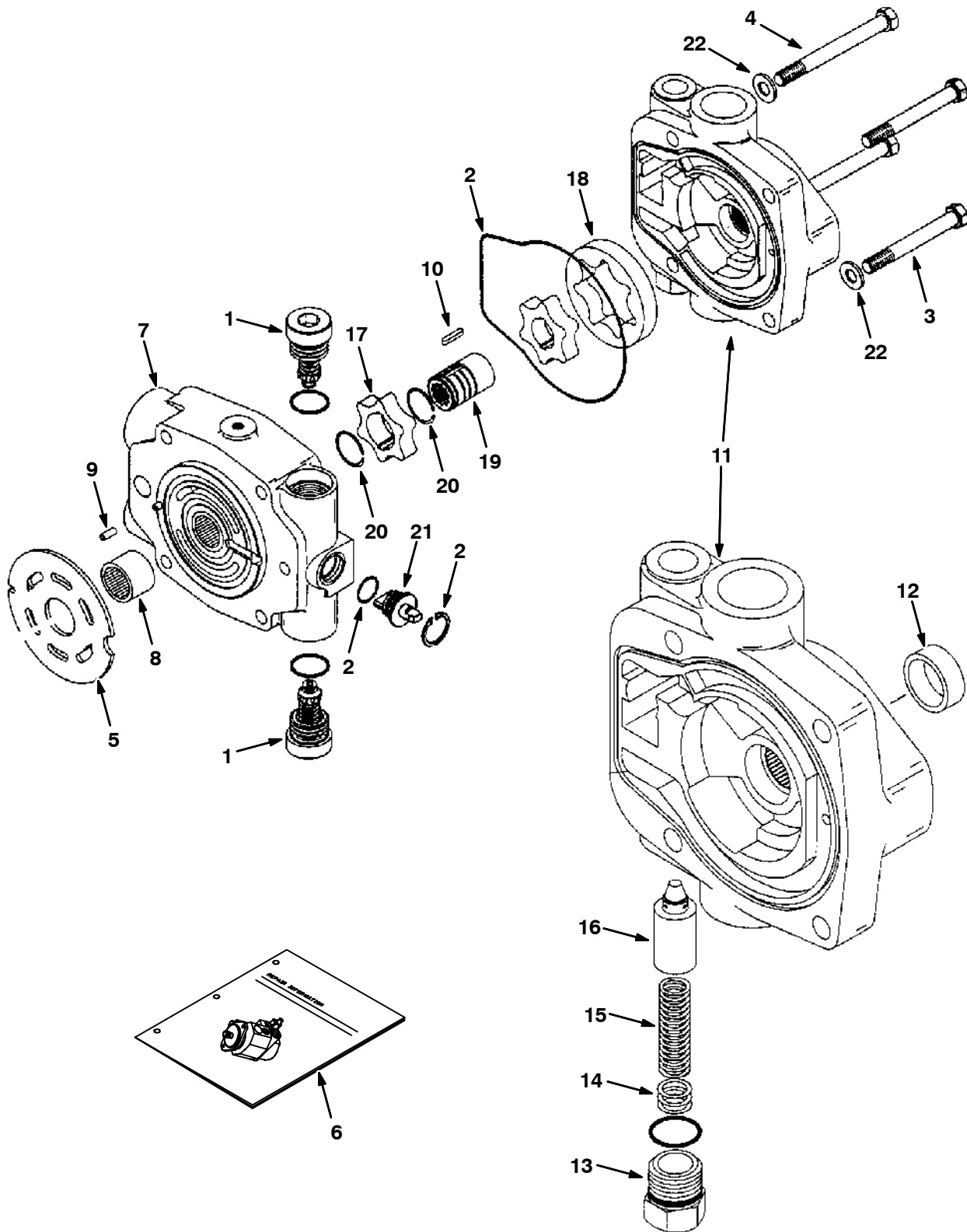


**Fig. 5 - Hydraulic Piston Pump Breakdown, 74163**

NOTE: Piston Pump, TENNANT Part Number 74163, includes Fig. 5, and Fig. 6.

	Ref.	Part No.	Serial Number	Description	Qty.
▽		74163	(000000-	) Pump, Hyd Piston V 2.48	1
▲	1	74184	(000000-	) Nut, Jam	1
▲	2	74223	(000000-	) Screw, Cap	8
▲	3	61882	(000000-	) Rotating Kit	1
▲	4	74253	(000000-	) Piston, Servo	1
▲	5	74254	(000000-	) Follower, Piston	1
▲	6	74256	(000000-	) Plate, Cover	1
▲	7	74257	(000000-	) Plate, Cover	1
▲	8	74258	(000000-	) Camplate S/A	1
▲	9	74240	(000000-	) Race, Bearing	2
▲	10	74210	(000000-	) Bearing	1
▲	11	74283	(000000-	) Seal Kit, Pump	1
▲	12	74262	(000000-	) Screw, Cap	6
▲▽		74263	(000000-	) Housing S/A	1
▲▲	13	79771	(000000-	) Housing	1
▲▲	14	37462	(000000-	) Bearing	1
▲▲	15	79742	(000000-	) Plug S/A	1
▲▽	16	79743	(000000-	) Cradle Sub Assy	1
▲▲	17	79744	(000000-	) Dowel Bushing	2
▲▲	18	79745	(000000-	) Bushing	1
▲▲	19	79746	(000000-	) Cap Screw	1
▲▲	20	79747	(000000-	) Cap Screw	2
▲	21	74265	(000000-	) Shaft, Drive Sp	1
▲	22	74266	(000000-	) Nut	1
▲	23	74267	(000000-	) Lockwasher	1
▲	24	37460	(000000-	) Washer	1
▲	25	13907	(000000-	) Plug #8	2
▲	26	79779	(000000-	) Plug,#12 O-Ring Ph	1
▲	27	74272	(000000-	) Arm, Control	1
▲	28	74273	(000000-	) Control, Manual (See Breakdown)	1
▲	29	74276	(000000-	) Orifice, Valve	1
▲	30	74280	(000000-	) Washer	1
▲	31	74281	(000000-	) Washer	8

**Fig. 6 - Hydraulic Piston Pump Breakdown, 74163**

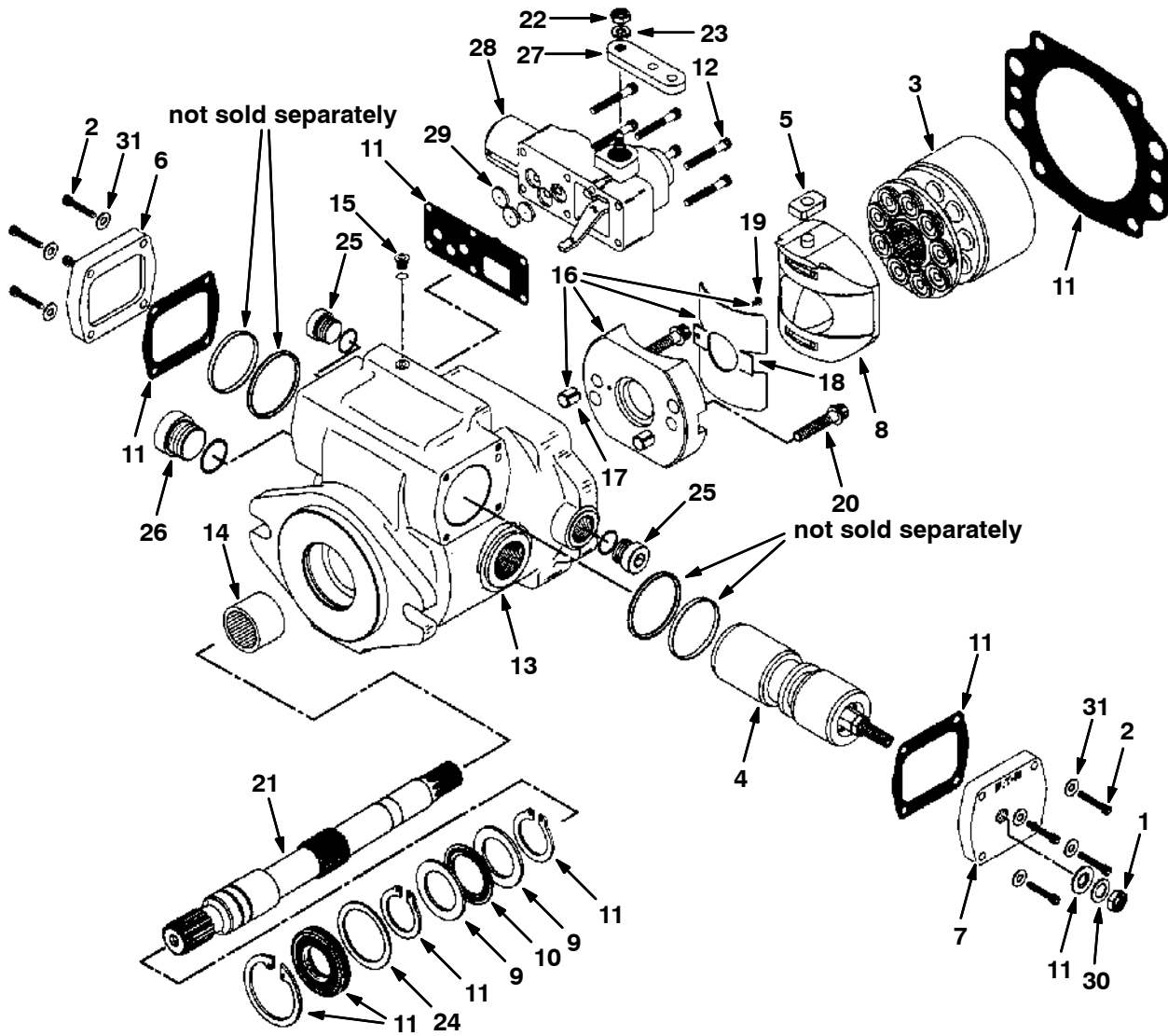


**Fig. 6 - Hydraulic Piston Pump Breakdown, 74163**

NOTE: Piston Pump, TENNANT Part Number 74163, includes Fig. 5, and Fig. 6.

	Ref.	Part No.	Serial Number	Description	Qty.
▽		74163	(000000-	) Pump, Hyd Piston V 2.48	1
▲	1	74259	(000000-	) Relief Valve Sa	2
▲	2	74283	(000000-	) Seal Kit, Pump	1
▲	3	74260	(000000-	) Screw, Cap	2
▲	4	74261	(000000-	) Screw, Cap	2
▲	5	61886	(000000-	) Valve Plate	1
▲	6	79708	(000000-	) Repair Info,Pmp	1
▲▽	7	74264	(000000-	) Backplate S/A	1
▲▲	8	34159	(000000-	) Bearing	1
▲▲	9	79748	(000000-	) Roll Pin	1
▲	10	74270	(000000-	) Key	1
▲▽	11	74271	(000000-	) Charge Pmp Adap	1
▲▲	12	79749	(000000-	) Bushing	1
▲▲	13	79750	(000000-	) Plug	1
▲▲	14	79751	(000000-	) Shims	1
▲▲	15	79752	(000000-	) Spring	1
▲▲	16	79753	(000000-	) Poppet	1
▲	17	74274	(000000-	) Geroter,Ring In	1
▲	18	74275	(000000-	) Geroter,Ring Ot	1
▲	19	74277	(000000-	) Coupler	1
▲	20	74278	(000000-	) Ring, Retaining	2
▲	21	74279	(000000-	) Actuator, Valve	1
▲	22	74282	(000000-	) Washer	4

**Fig. 7 - Hydraulic Piston Pump Breakdown, 373404**



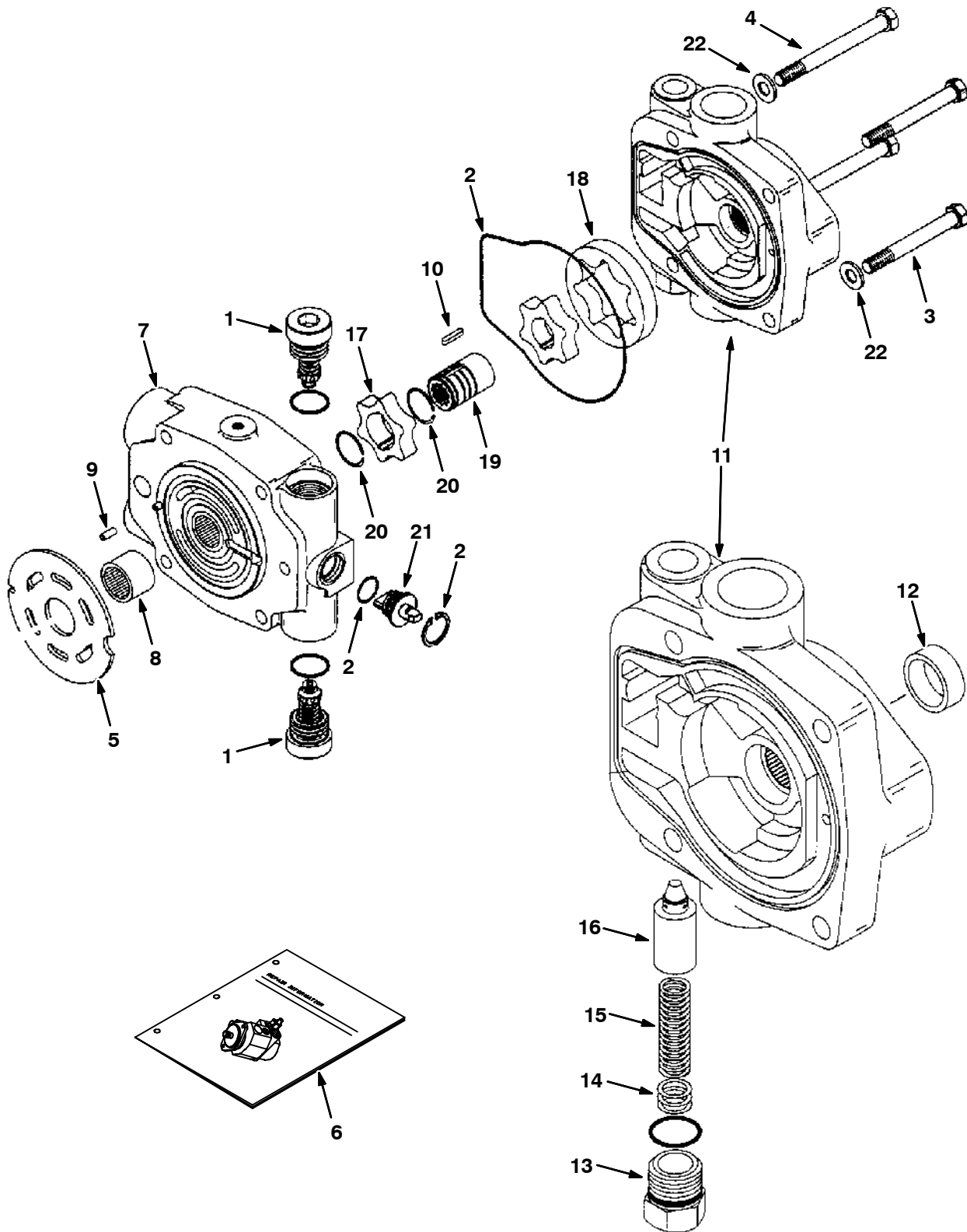


**Fig. 7 - Hydraulic Piston Pump Breakdown, 373404**

NOTE: Piston Pump, TENNANT Part Number 373404, includes Fig. 7, and Fig. 8.

	Ref.	Part No.	Serial Number	Description	Qty.
▽		373404	(000000-	) Pump, Hyd Piston V 2.48	1
▲	1	74184	(000000-	) Nut, Jam	1
▲	2	74223	(000000-	) Screw, Cap	8
▲	3	61882	(000000-	) Rotating Kit	1
▲	4	373407	(000000-	) Piston, Servo	1
▲	5	74254	(000000-	) Follower, Piston	1
▲	6	74256	(000000-	) Plate, Cover	1
▲	7	74257	(000000-	) Plate, Cover	1
▲	8	74258	(000000-	) Camplate S/A	1
▲	9	74240	(000000-	) Race, Bearing	2
▲	10	74210	(000000-	) Bearing	1
▲	11	74283	(000000-	) Seal Kit, Pump	1
▲	12	74262	(000000-	) Screw, Cap	6
▲▽		373408	(000000-	) Housing S/A	1
▲▲	13	373409	(000000-	) Housing	1
▲▲	14	37462	(000000-	) Bearing	1
▲▲	15	79742	(000000-	) Plug S/A	1
▲▽	16	373410	(000000-	) Cradle Sub Assy	1
▲▲	17	373218	(000000-	) Dowel Bushing	2
▲▲	18	373414	(000000-	) Bushing	1
▲▲	19	373415	(000000-	) Cap Screw	1
▲▲	20	79747	(000000-	) Cap Screw	2
▲	21	74265	(000000-	) Shaft, Drive Sp	1
▲	22	74266	(000000-	) Nut	1
▲	23	74267	(000000-	) Lockwasher	1
▲	24	37460	(000000-	) Washer	1
▲	25	13907	(000000-	) Plug #8	2
▲	26	79779	(000000-	) Plug,#12 O-Ring Ph	1
▲	27	74272	(000000-	) Arm, Control	1
▲	28	74273	(000000-	) Control, Manual (See Breakdown)	1
▲	29	74276	(000000-	) Orifice, Valve	1
▲	30	74280	(000000-	) Washer	1
▲	31	74281	(000000-	) Washer	8

**Fig. 8 - Hydraulic Piston Pump Breakdown, 373404**



**Fig. 8 - Hydraulic Piston Pump Breakdown, 373404**

NOTE: Piston Pump, TENNANT Part Number 373404, includes Fig. 7, and Fig. 8.

	Ref.	Part No.	Serial Number	Description	Qty.
▽		373404	(000000-	) Pump, Hyd Piston V 2.48	1
▲	1	74259	(000000-	) Relief Valve Sa	2
▲	2	74283	(000000-	) Seal Kit, Pump	1
▲	3	373374	(000000-	) Screw, Cap	2
▲	4	373375	(000000-	) Screw, Cap	2
▲	5	61886	(000000-	) Valve Plate	1
▲	6	79708	(000000-	) Repair Info,Pmp	1
▲▽	7	373412	(000000-	) Backplate S/A	1
▲▲	8	34159	(000000-	) Bearing	1
▲▲	9	79748	(000000-	) Roll Pin	1
▲	10	74270	(000000-	) Key	1
▲▽	11	74271	(000000-	) Charge Pmp Adap	1
▲▲	12	79749	(000000-	) Bushing	1
▲▲	13	79750	(000000-	) Plug	1
▲▲	14	79751	(000000-	) Shims	1
▲▲	15	79752	(000000-	) Spring	1
▲▲	16	79753	(000000-	) Poppet	1
▲	17	74274	(000000-	) Geroter,Ring In	1
▲	18	74275	(000000-	) Geroter,Ring Ot	1
▲	19	74277	(000000-	) Coupler	1
▲	20	74278	(000000-	) Ring, Retaining	2
▲	21	373413	(000000-	) Actuator, Valve	1
▲	22	74282	(000000-	) Washer	4

**Fig. 9 - Hydraulic Gear Pump Breakdown, 373245**

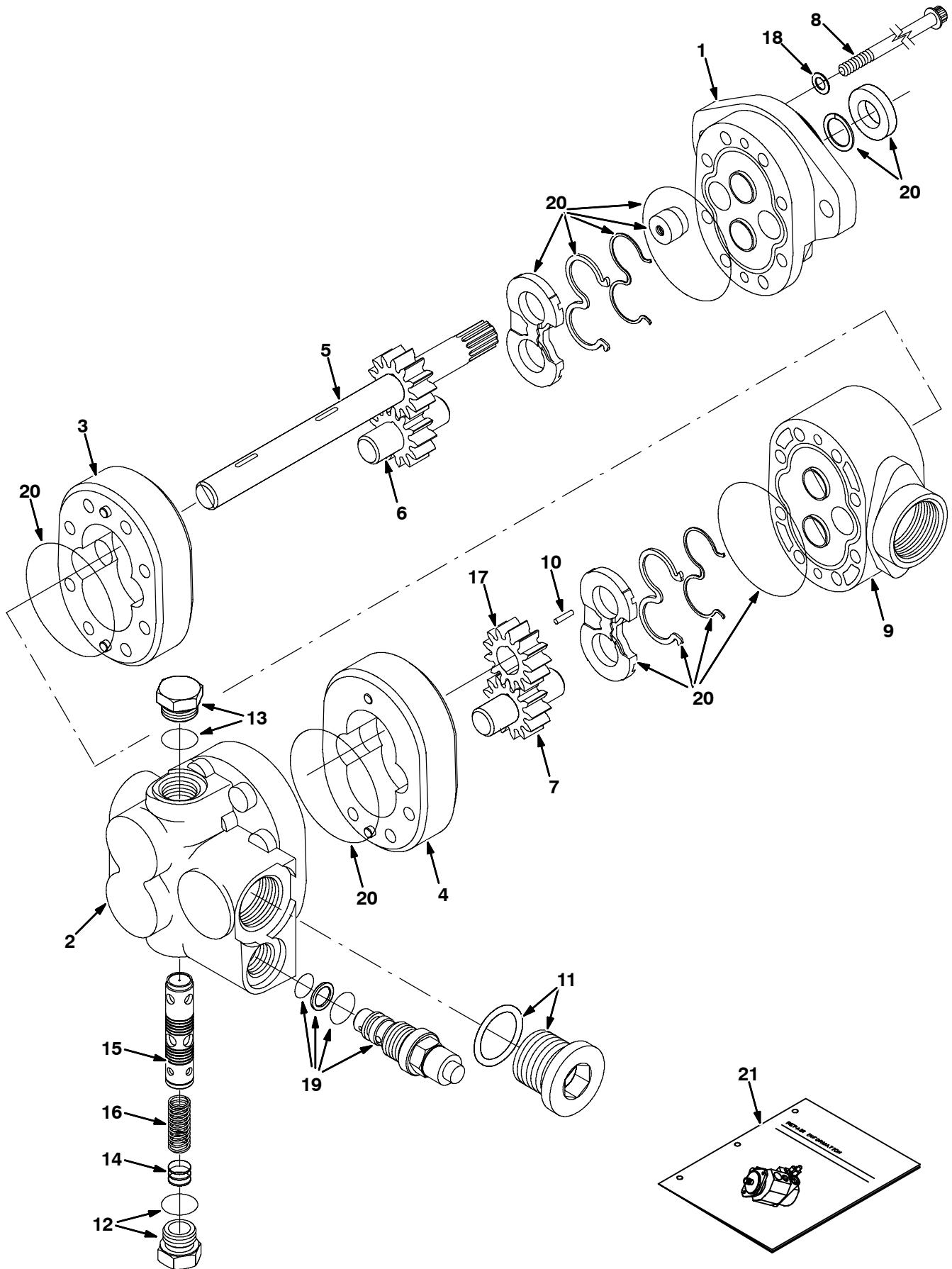


Fig. 9 - Hydraulic Gear Pump Breakdown, 373245

	Ref.	Part No.	Serial Number	Description	Qty.
▽		373245	(000000-	) Pump, Hyd, Gear [Ex2] 1.69 [R] 2800	1
▲	1	373201	(000000-	) Plate, Front	1
▲	2	373228	(000000-	) Plate, Back	1
▲	3	373231	(000000-	) Housing, Pump	1
▲	4	373232	(000000-	) Housing	1
▲	5	373230	(000000-	) Gear, Drive	1
▲	6	373233	(000000-	) Gear, Idler	1
▲	7	373211	(000000-	) Gear Assy, Idler	1
▲	8	21912	(000000-	) Screw, Cap	8
▲	9	373235	(000000-	) Plate, Adapter	1
▲	10	74160	(000000-	) Key, Round	1
▲	11	71725	(000000-	) Plug, O-ring	1
▲	12	373237	(000000-	) Plug	1
▲	13	763477	(000000-	) Plug	1
▲	14	373239	(000000-	) Shim	1
▲	15	373241	(000000-	) Spool	1
▲	16	373240	(000000-	) Spring	1
▲	17	373242	(000000-	) Gear	1
▲	18	373243	(000000-	) Washer	4
▲	19	21914	(000000-	) Valve, Relief	1
▲	20	373229	(000000-	) Kit, Seal, Pump	1
▲	21	373403	(000000-	) Instr, Pump Repair	1

**Fig. 10 - Hydraulic Gear Pump Breakdown, 79078**

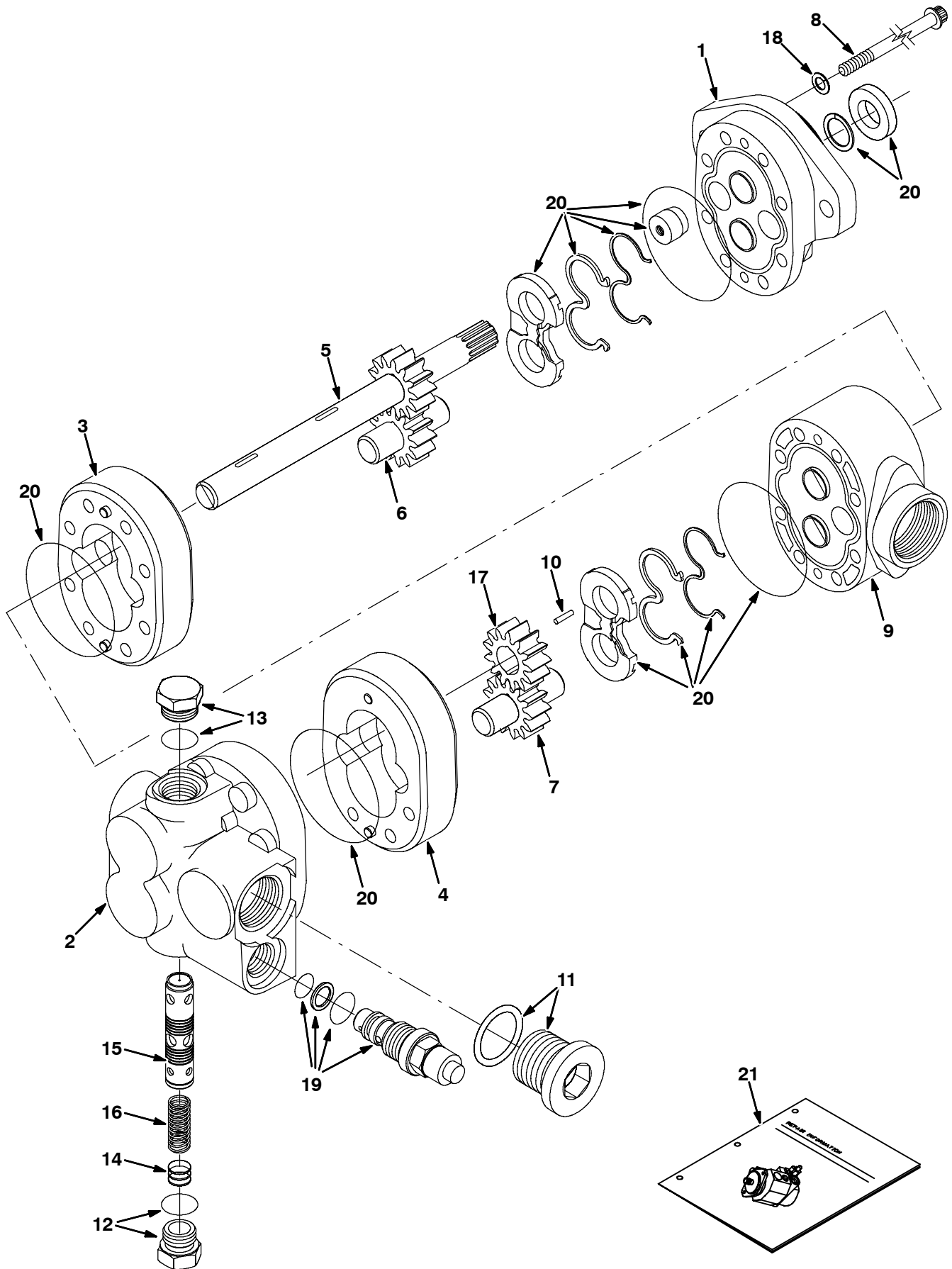


Fig. 10 - Hydraulic Gear Pump Breakdown, 79078

	Ref.	Part No.	Serial Number	Description	Qty.
▽		79078	(000000-	) Pump, Hyd, Gear [Ex2] 1.69 [R] 2500 (Replaced by None)	1
▲	1	74149	(000000-	) Plate, Front	1
▲	2	373552	(000000-	) Plate, Back	1
▲	3	21909	(000000-	) Housing, Pump	1
▲	4	74150	(000000-	) Housing	1
▲	5	21910	(000000-	) Gear, Drive	1
▲	6	21911	(000000-	) Gear, Idler	1
▲	7	74151	(000000-	) Gear Assy, Idler	1
▲	8	21912	(000000-	) Screw, Cap	8
▲	9	74152	(000000-	) Plate, Adapter	1
▲	10	74160	(000000-	) Key, Round	1
▲	11	71725	(000000-	) Plug, O-ring	1
▲	12	373237	(000000-	) Plug	1
▲	13	763477	(000000-	) Plug	1
▲	14	373239	(000000-	) Shim	1
▲	15	21913	(000000-	) Spool	1
▲	16	373240	(000000-	) Spring	1
▲	17	74148	(000000-	) Gear	1
▲	18	74159	(000000-	) Washer	4
▲	19	21914	(000000-	) Valve, Relief	1
▲	20	57094	(000000-	) Kit, Seal, Pump	1
▲	21	763483	(000000-	) Instr, Pump Repair	1

**Fig. 11 - Hydraulic Gear Pump Breakdown, 1014956**

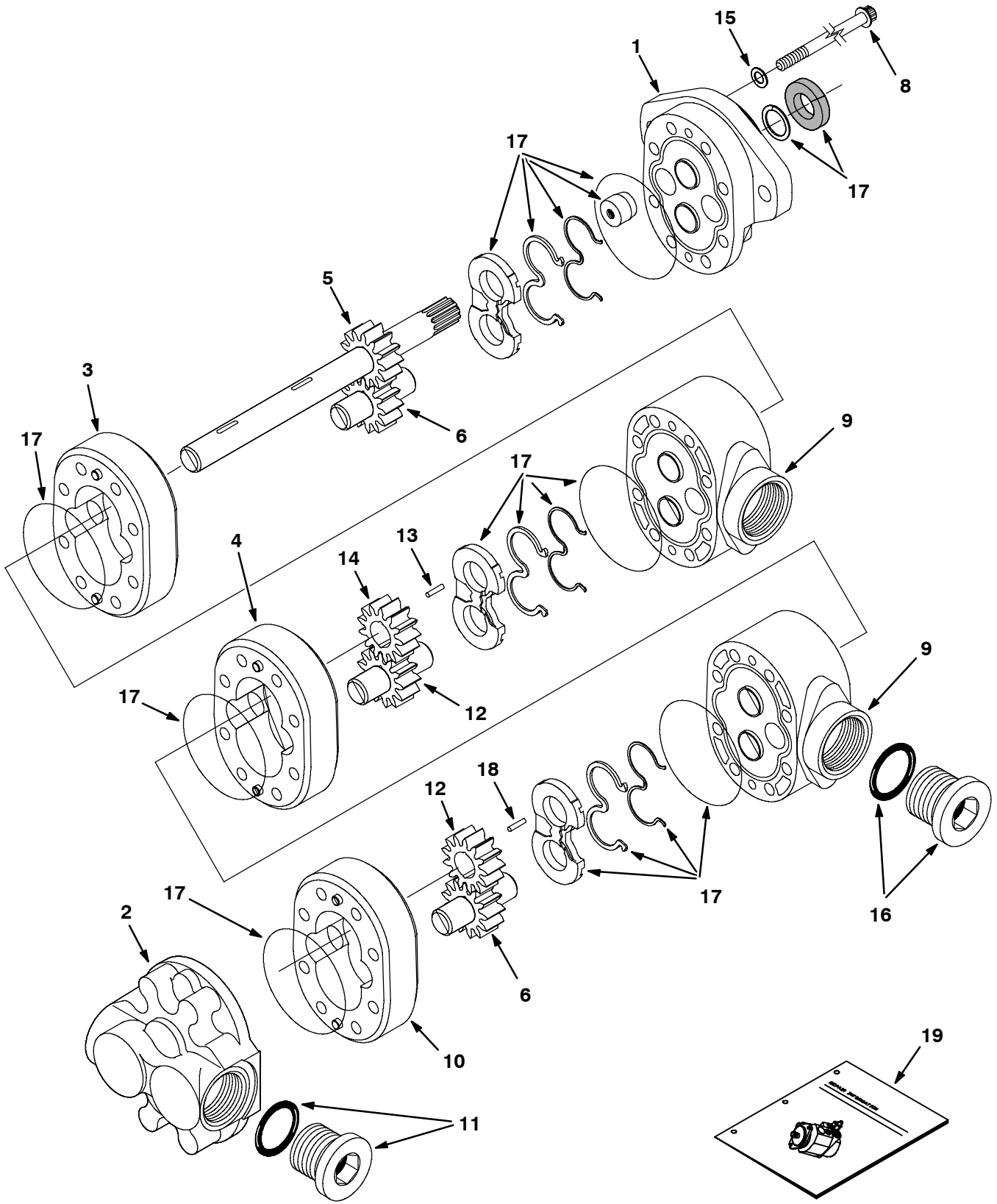
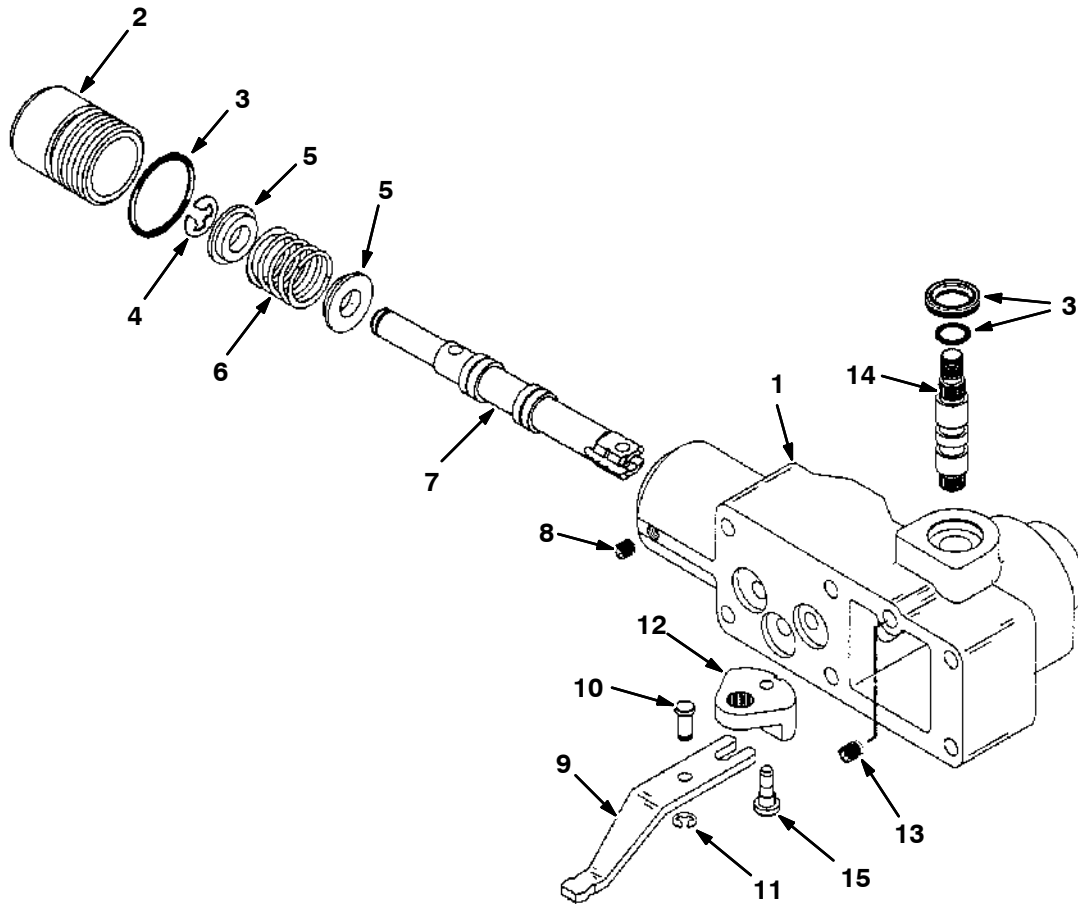




Fig. 11 - Hydraulic Gear Pump Breakdown, 1014956

	Ref.	Part No.	Serial Number	Description	Qty.
▽		1014956	(000000-	) Pump, Hyd, Gear, [Ex3] 1.69 [R] 3000	1
▲	1	373201	(000000-	) Plate, Front, Pump, Gear [En]	1
▲	2	373267	(000000-	) Plate, Back	1
▲	3	373231	(000000-	) Housing, Pump	1
▲	4	373232	(000000-	) Manifold, Pump, Gear [En]	1
▲	5	373616	(000000-	) Gear, Drive, Pump, Hyd [En]	1
▲	6	373286	(000000-	) Gear Assy, Idler, Pump, Hyd	2
▲	7	373233	(000000-	) Gear, Idler	2
▲	8	74154	(000000-	) Screw, Cap, Motor, Hyd [En]	8
▲	9	373235	(000000-	) Plate, Adaptor, Pump, Hyd [En]	2
▲	10	373285	(000000-	) Manifold, Pump, Gear [En]	1
▲	11	373288	(000000-	) Gear, Drive, Pump, Hyd [En]	1
▲	12	373211	(000000-	) Gear Assy, Idler, Pump, Hyd [En]	1
▲	13	373284	(000000-	) Key, Round [En]	1
▲	14	373242	(000000-	) Gear, Drive, Pump, Hyd [En]	1
▲	15	373235	(000000-	) Plate, Adaptor, Pump, Hyd [En]	4
▲	16	74161	(000000-	) Fitting, Hyd, Plug, Om20	1
▲	17	373255	(000000-	) Kit, Seal, Pump, Hyd [En]	1
▲	18	373287	(000000-	) Key, Round [En]	1
▲	19	373403	(000000-	) Instr, Pump Repair	1

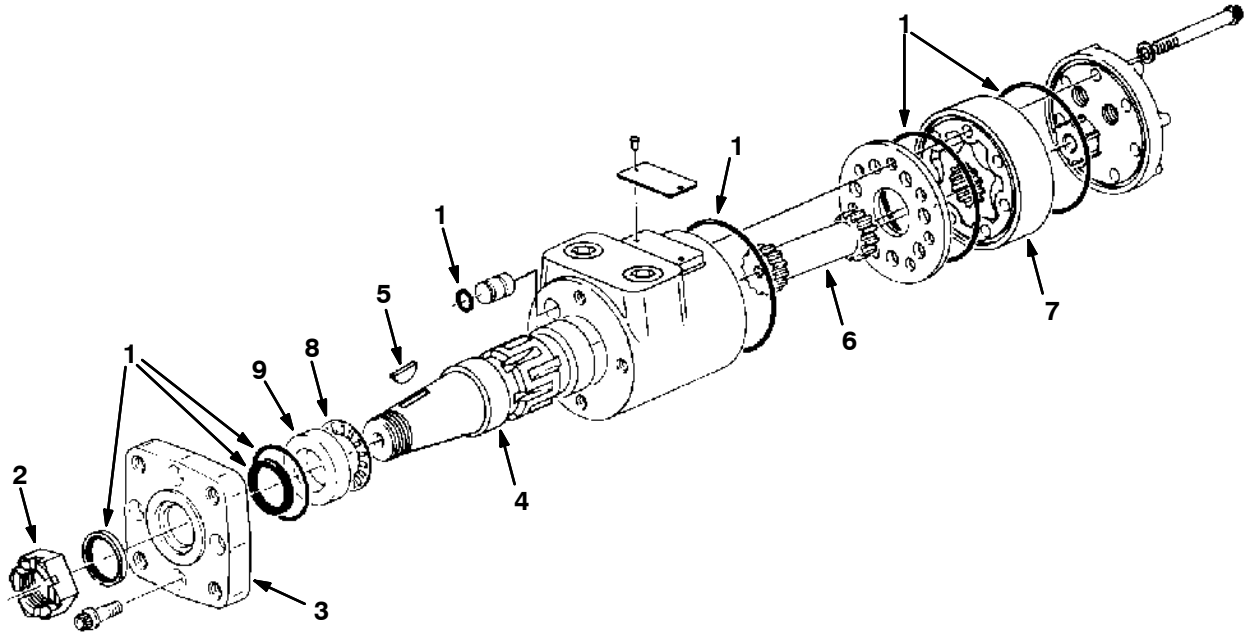
**Fig. 12 - Manual Control Breakdown, 74273**



10134 - 550, 1550

Ref.	Part No.	Serial Number	Description	Qty.
▽	74273	(000000-	) Control, Manual	1
▲	1 79754	(000000-	) Housing, Control	1
▲	2 79755	(000000-	) Plug	1
▲	3 79776	(000000-	) Seal Kit, Cntrl	1
▲	4 79756	(000000-	) Ring, Retaining	1
▲	5 79757	(000000-	) Spring, Retainer	2
▲	6 79758	(000000-	) Spring, Cntr	1
▲	7 79759	(000000-	) Valve Spool	1
▲	8 79760	(000000-	) Screw, Set	1
▲	9 79761	(000000-	) Link, Feedback	1
▲	10 79762	(000000-	) Dowel Pin	1
▲	11 79763	(000000-	) Ring, Retaining	1
▲	12 79764	(000000-	) Bell Crank	1
▲	13 79765	(000000-	) Screw, Set	1
▲	14 79766	(000000-	) Shaft, Input	1
▲	15 79767	(000000-	) Pin, Headed	1

**Fig. 13 - Hydraulic Motor Breakdown, 27792**



09795 - 550, 1550

Ref.	Part No.	Serial Number	Description	Qty.
▽	27792	(000000-	) Motor, Hydraulic	1
▲	1	28835	(000000-) Seal Kit	1
▲	2	39527	(000000-) Nut, Slotted	1
▲	3	31354	(000000-) Flange, Mounting	1
▲	4	37617	(000000-) Shaft, Output	1
▲	5	00500-15	(000000-) Key, Woodruff	1
▲	6	31377	(000000-) Drive	1
▲	7	31382	(000000-) Gerotor	1
▲	8	45628	(000000-) Bearing	1
▲	9	16695	(000000-) Race, Thrust	1

Fig. 14 - Hydraulic Motor Breakdown, 22604

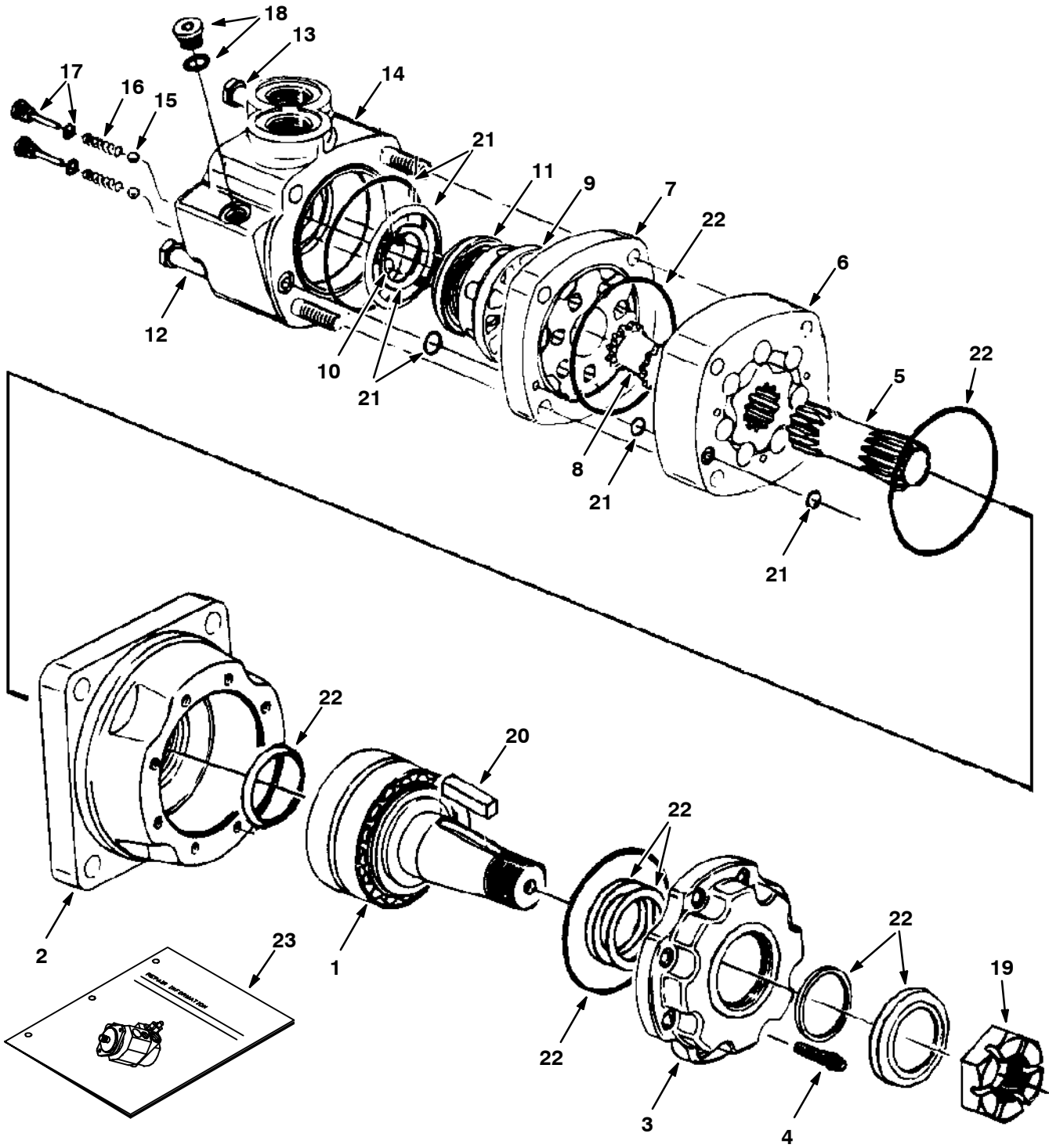
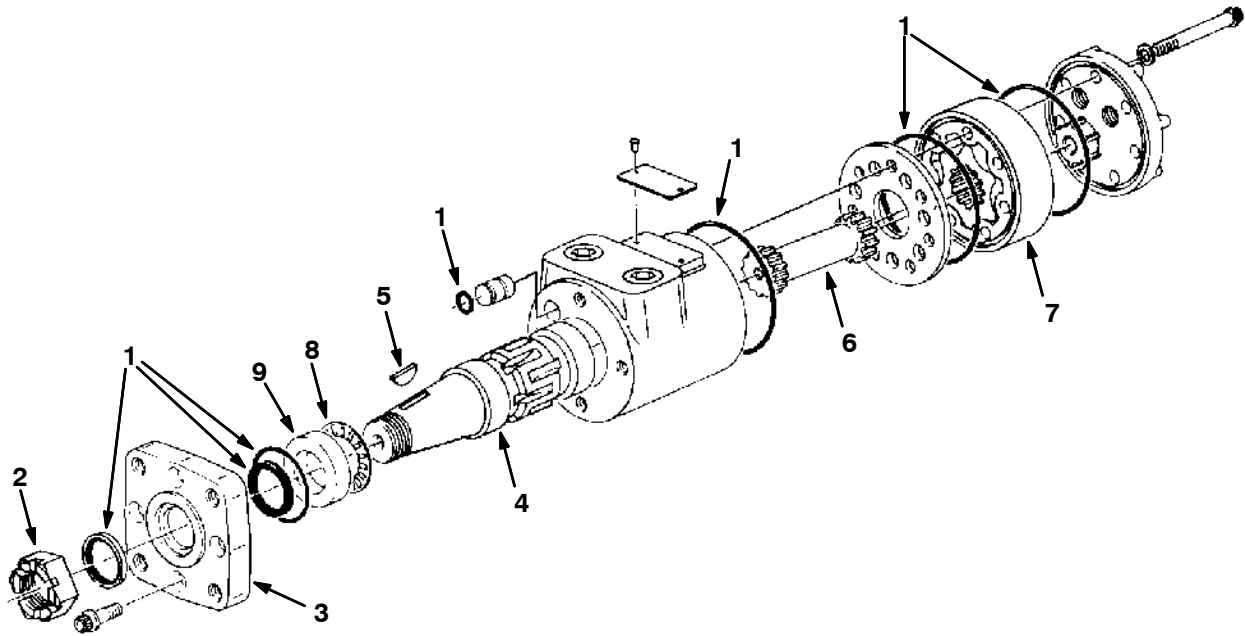


Fig. 14 - Hydraulic Motor Breakdown, 22604

	Ref.	Part No.	Serial Number	Description	Qty.
▽		22604	(000000-	) Motor, Hyd Gear	1
▲	1	74165	(000000-	) Shaft S/A	1
▲	2	74166	(000000-	) Housing, Brg	1
▲	3	74167	(000000-	) Retainer, Frt	1
▲	4	74168	(000000-	) Screw, Cap	8
▲	5	37616	(000000-	) Drive	1
▲	6	37756	(000000-	) Geroler	1
▲	7	74122	(000000-	) Plate, Valve	1
▲	8	52405	(000000-	) Valve	1
▲	9	74123	(000000-	) Valve	1
▲	10	34178	(000000-	) Spring	2
▲	11	38968	(000000-	) Ring	1
▲	12	74125	(000000-	) Bolt	3
▲	13	38255	(000000-	) Bolt	1
▲	14	74171	(000000-	) Housing Assy,	1
▲	15	37766	(000000-	) Ball	2
▲	16	34179	(000000-	) Spring	2
▲	17	74137	(000000-	) Plug Assembly	2
▲	18	74098	(000000-	) Plug #4	1
▲	19	45622	(000000-	) Nut	1
▲	20	45623	(000000-	) Key	1
▲	21	33580	(000000-	) Seal Kit, Rear	1
▲	22	79828	(000000-	) Seal Kit, Shaft	1
▲	23	74249	(000000-	) Instr. Repair Info, Motor	1

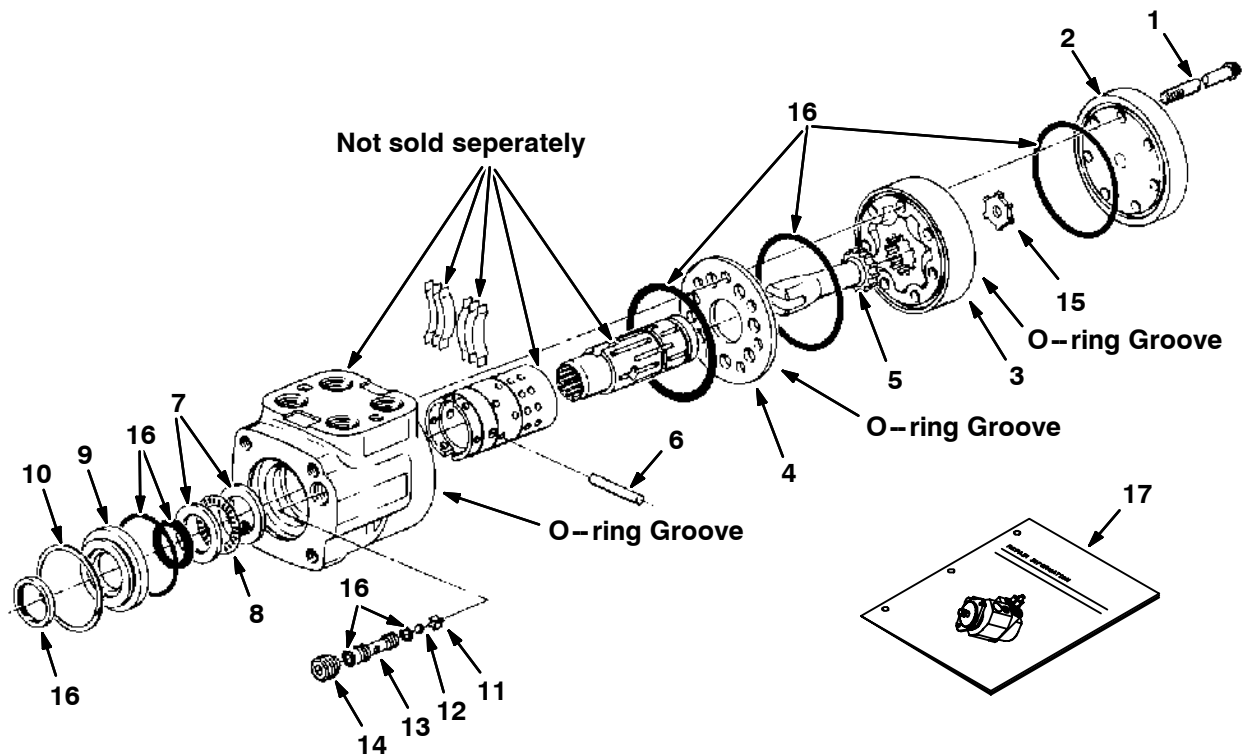
**Fig. 15 - Hydraulic Motor Breakdown, 61489**



09795 - 550, 1550

Ref.	Part No.	Serial Number	Description	Qty.	
▽	61489	(000000-	) Motor, Hydraulic	1	
▲	1	61490	(000000-	) Seal Kit	1
▲	2	39527	(000000-	) Nut, Slotted	1
▲	3	31354	(000000-	) Flange, Mounting	1
▲	4	37617	(000000-	) Shaft, Output	1
▲	5	00500-15	(000000-	) Key, Woodruff	1
▲	6	31377	(000000-	) Drive	1
▲	7	31382	(000000-	) Gerotor	1
▲	8	45628	(000000-	) Bearing	1
▲	9	16695	(000000-	) Race, Thrust	1

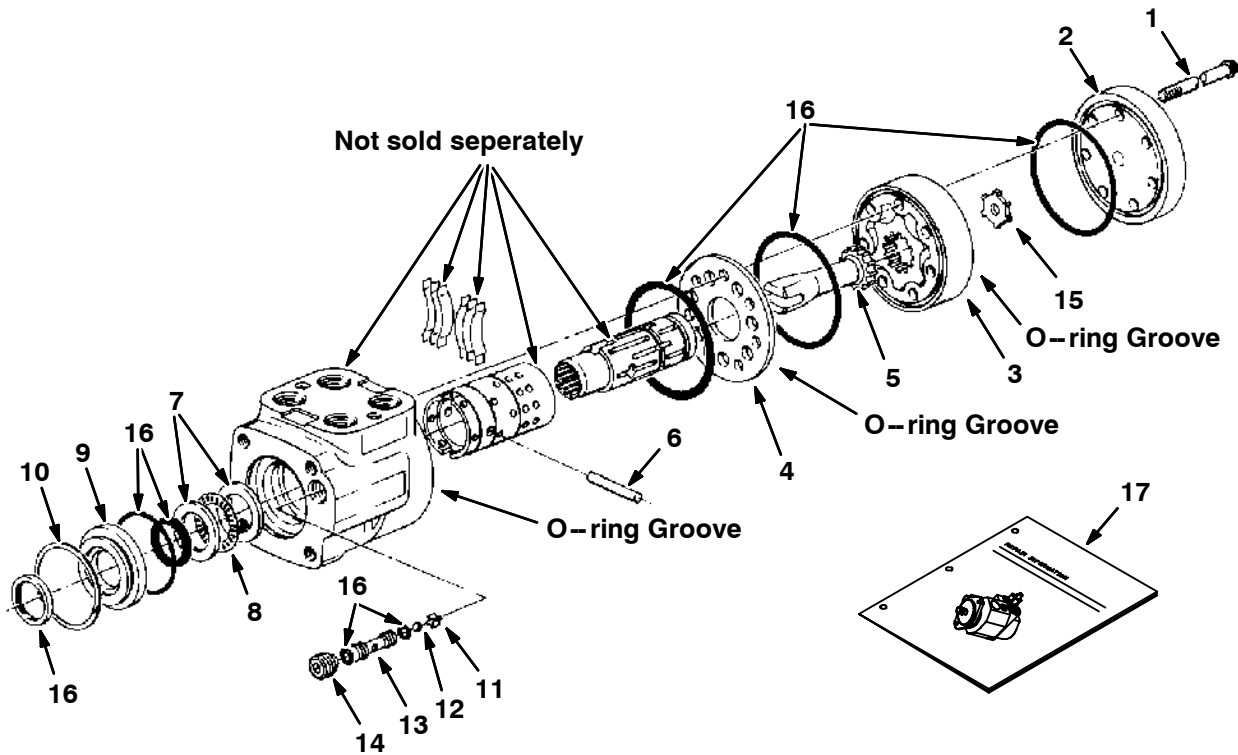
**Fig. 16 - Hydraulic Steering Valve Breakdown, 57982**



09936-09670 - ALL

Ref.	Part No.	Serial Number	Description	Qty.
▽	57982	(000000-	Steer Control, Hyd 3 6.2 1000	1
▲	1 74097	(000000-	Cap Screw	7
▲	2 38873	(000000-	Cover Cap	1
▲	3 57156	(000000-	Geroter	1
▲	4 74094	(000000-	Spacer Plate	1
▲	5 58596	(000000-	Drive	1
▲	6 74218	(000000-	Pin	1
▲	7 74109	(000000-	Race, Bearing	2
▲	8 74110	(000000-	Bearing, Needle	1
▲	9 74112	(000000-	Bushing, Seal	1
▲	10 74111	(000000-	Ring, Retainer	1
▲	11 74186	(000000-	Retainer, Chk	1
▲	12 74187	(000000-	Ball	1
▲	13 74188	(000000-	Seat, Chk Ball	1
▲	14 74189	(000000-	Screw Set	1
▲	15 74105	(000000-	Spacer	1
▲	16 57152	(000000-	Seal Kit,Stg	1
▲	74195	(000000-	Spring Kit, Scu	1
▲	17 74251	(000000-	Repair Info,Scu	1

**Fig. 17 - Hydraulic Steering Valve Breakdown, 74176**

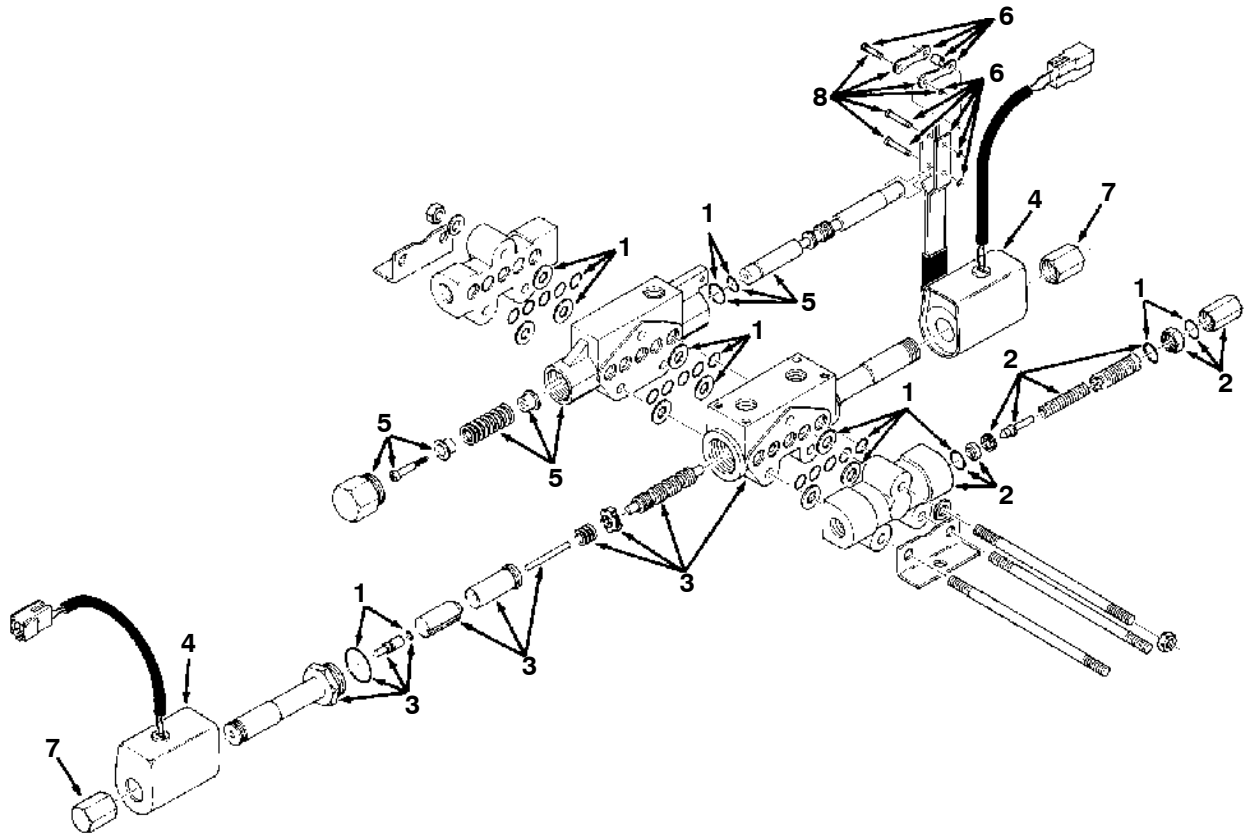


09936-09670 - ALL

Ref.	Part No.	Serial Number	Description	Qty.
▽	74176	(000000-	Steer Control, Hyd #4 05.9 150	1
▲	1 65241	(000000-	Cap Screw	7
▲	2 74181	(000000-	Cap, End	1
▲	3 57156	(000000-	Geroter	1
▲	4 74182	(000000-	Plate, Wear	1
▲	5 58596	(000000-	Drive	1
▲	6 74218	(000000-	Pin	1
▲	7 74109	(000000-	Race, Bearing	2
▲	8 74110	(000000-	Bearing, Needle	1
▲	9 74112	(000000-	Bushing, Seal	1
▲	10 74111	(000000-	Ring, Retainer	1
▲	11 74186	(000000-	Retainer, Chk	1
▲	12 74187	(000000-	Ball	1
▲	13 74188	(000000-	Seat, Chk Ball	1
▲	14 74189	(000000-	Screw Set	1
▲	15 74105	(000000-	Spacer	1
▲	16 74190	(000000-	Seal Kit, Scu	1
▲	74195	(000000-	Spring Kit, Scu	1
▲	17 74251	(000000-	Repair Info,Scu	1



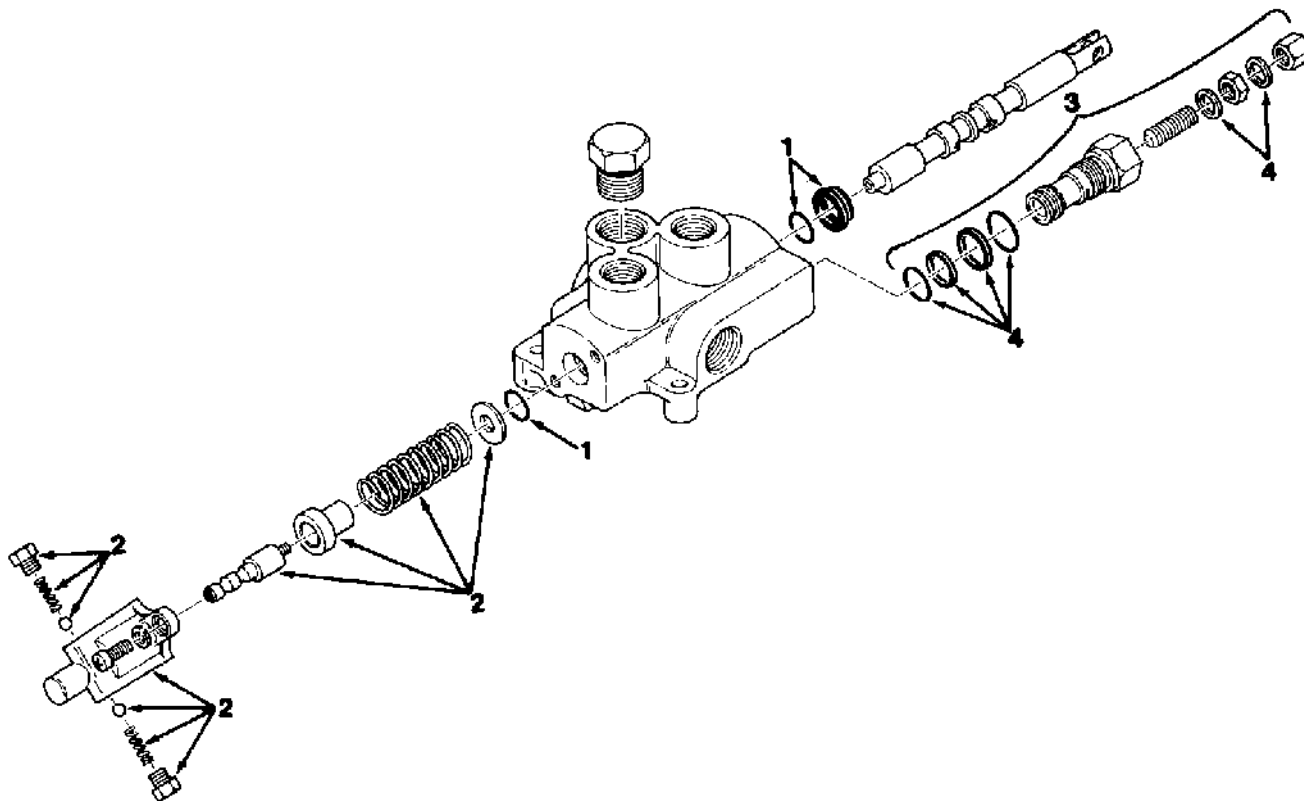
Fig. 18 - Hydraulic Solenoid Valve Breakdown, 31575



02392 - 550, 1550

Ref.	Part No.	Serial Number	Description	Qty.	
▽	31575	(000000-	) Valve, Hydraulic, Solenoid	1	
▲	1	04198	(000000-	) Seal Kit	1
▲	2	31642	(000000-	) Inlet Section	1
▲	3	31643	(000000-	) Valve Section	1
▲	4	02536	(000000-	) Coil	2
▲	5	02520	(000000-	) Valve Section, Manual	1
▲	6	02519	(000000-	) Handle Assembly, Complete	1
▲	7	04525	(000000-	) Nut, Solenoid	2
▲	8	04185	(000000-	) Linkage Kit, Handle	1

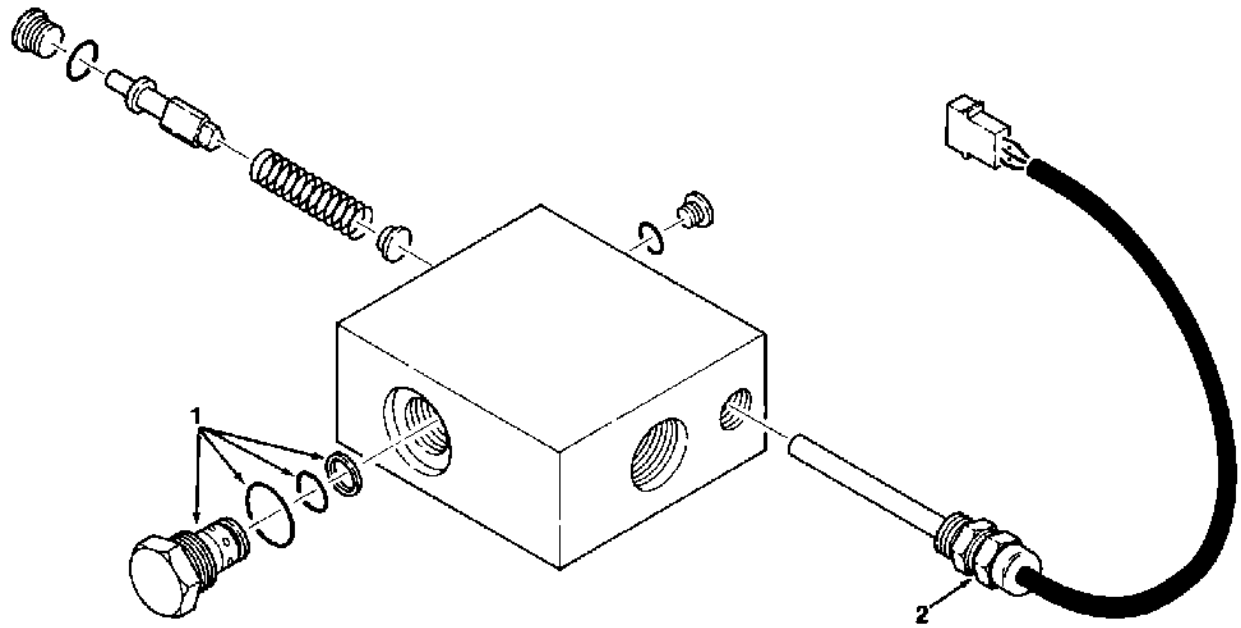
**Fig. 19 - Hydraulic Valve Breakdown, 32761**



02362 - 550, 1550

Ref.	Part No.	Serial Number	Description	Qty.
▽	32761	(000000-	) Valve, Hydraulic	1
▲	1 01666	(000000-	) Seal Kit	1
▲	2 01668	(000000-	) Detent Kit	1
▲▽	3 01818	(000000-	) Relief Valve	1
▲▲	4 69261	(000000-	) Seal Kit, Relief Valve	1

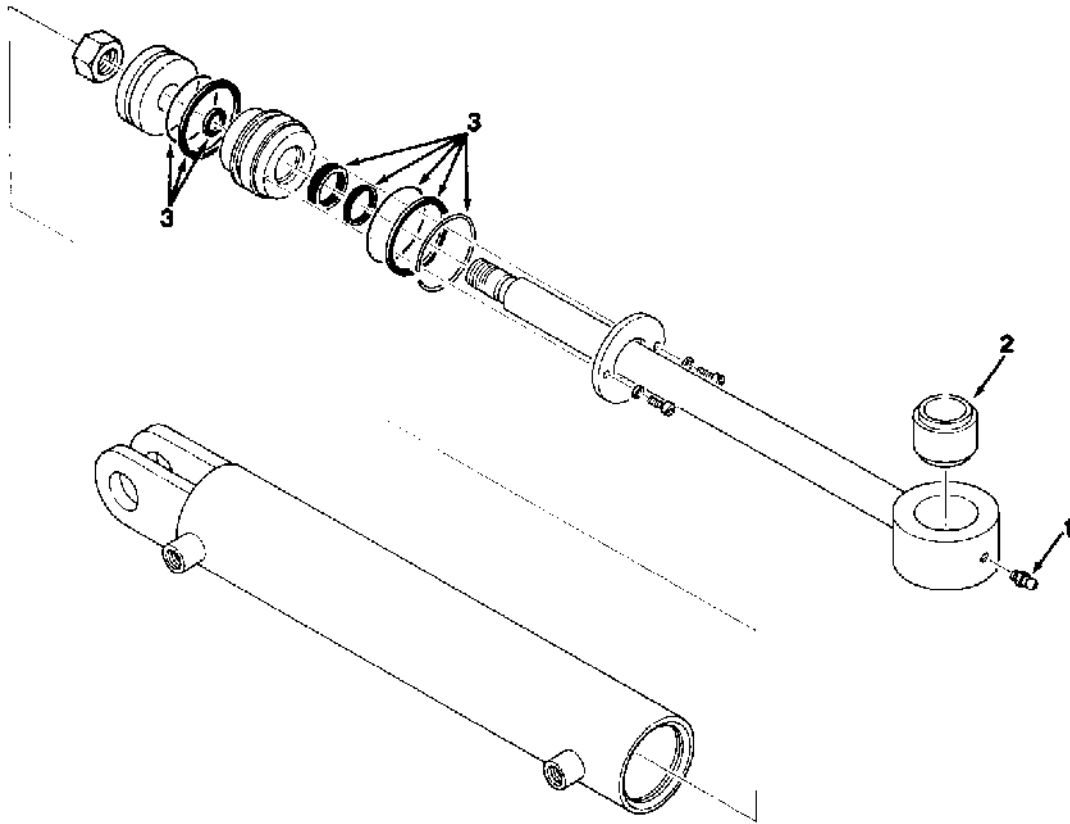
**Fig. 20 - Hydraulic Flow Switch Breakdown, 31556**



02399 - 550, 1550

Ref.	Part No.	Serial Number	Description	Qty.
▽	31556	(000000-	) Switch, Flow	1
▲ 1	31638	(000000-	) Check Valve	1
▲ 2	31639	(000000-	) Switch Assembly	1

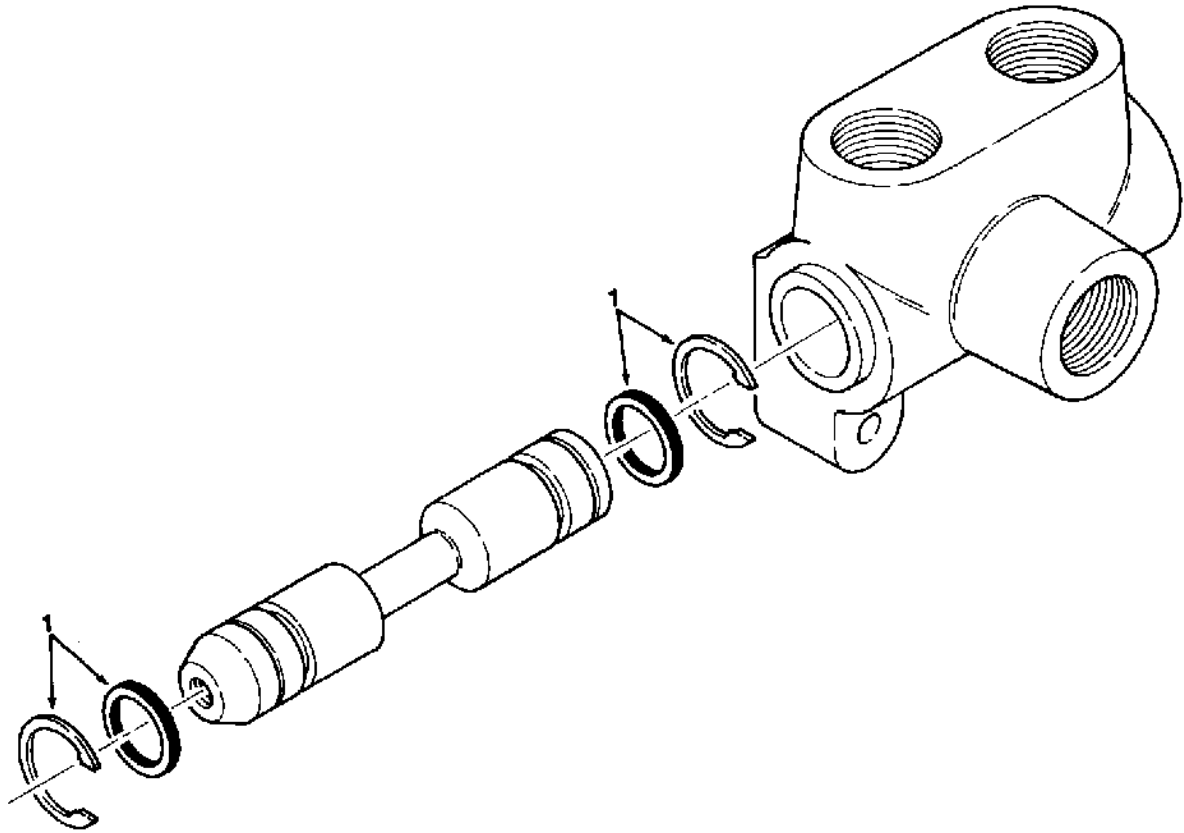
**Fig. 21 - Hydraulic Cylinder Breakdown, 04431**



03175 - ALL

	<b>Ref.</b>	<b>Part No.</b>	<b>Serial Number</b>	<b>Description</b>	<b>Qty.</b>
▽		04431	(000000-	) Cylinder, Hydraulic	1
▲	1	47801	(000000-	) Fitting, Grease	1
▲	2	04499	(000000-	) Bearing, Self-Aligning	1
▲	3	04477	(000000-	) Seal Kit	1

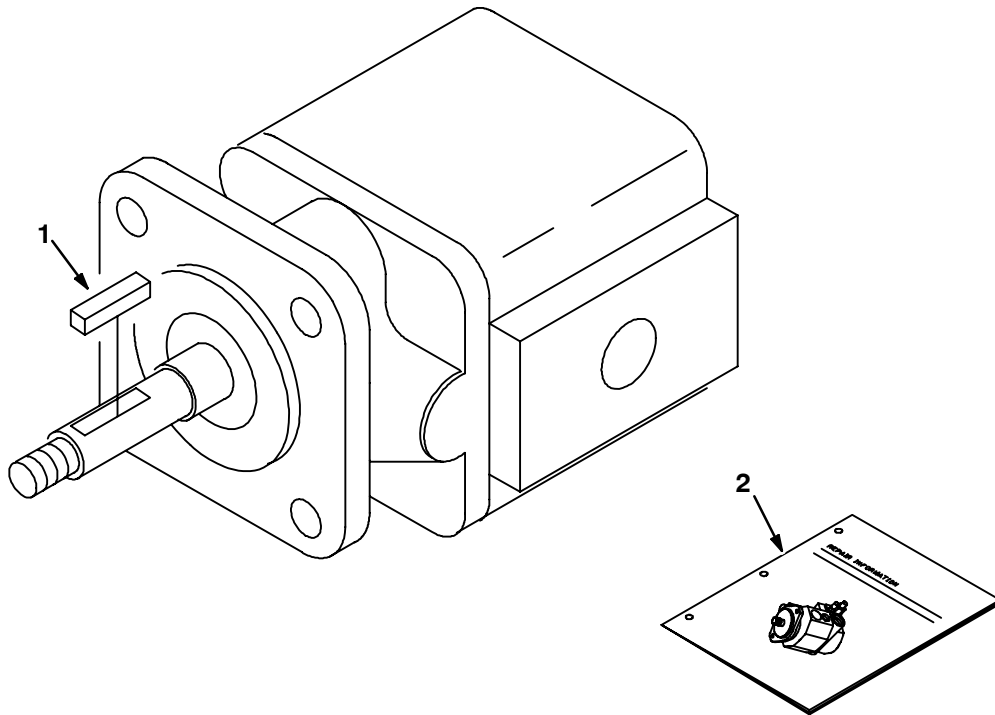
**Fig. 22 - Hydraulic Valve Breakdown, 48108A**



04230 - ALL

	<b>Ref.</b>	<b>Part No.</b>	<b>Serial Number</b>	<b>Description</b>	<b>Qty.</b>
▽		48108A	(000000-	) Valve, Hydraulic	1
▲	1	SK1288	(000000-	) Seal Kit	1

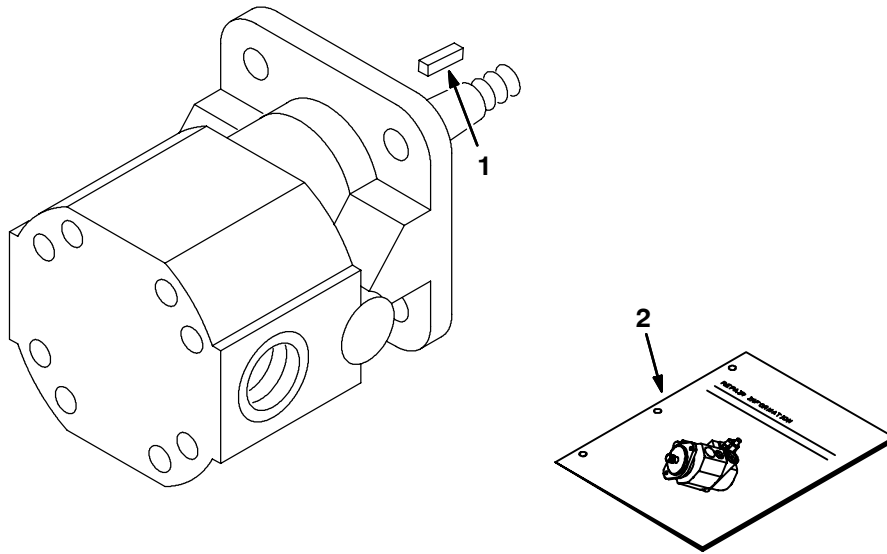
**Fig. 23 - Hydraulic Motor Breakdown, 1023322**



09664-09670 - 550, 1550, G, LP

Ref.	Part No.	Serial Number	Description	Qty.
▽	1023322	(000000-	) Motor, Hyd Gear Ex 0.13 L 3000	1
▲	1 00954	(000000-	) Key Square 0.12 0.12 01.00 Lg	1
▲	74233	(000000-	) Kit, Seal, Motor, Hyd, Gear [Barns]	1
▲	2 IB3614	(000000-	) Instr, Seal Kit, Motor	1

**Fig. 24 - Hydraulic Motor Breakdown, 1019272**



354311-09670 - 550, 1550, G, LP

	<b>Ref.</b>	<b>Part No.</b>	<b>Serial Number</b>	<b>Description</b>	<b>Qty.</b>
▽		1019272	(000000-	) Motor, Hyd, Gear, [Ex] 0.32 R 3000	1
▲	1	00960	(000000-	) Key, Sq, 0.12 X 0.12, 0.50l	1
▲		74233	(000000-	) Kit, Seal, Motor, Hyd, Gear [Barns]	1
▲	2	IB3614	(000000-	) Instr, Seal Kit, Motor	1

**Fig. 25 - Hydraulic Solenoid Valve Breakdown, 1020194**

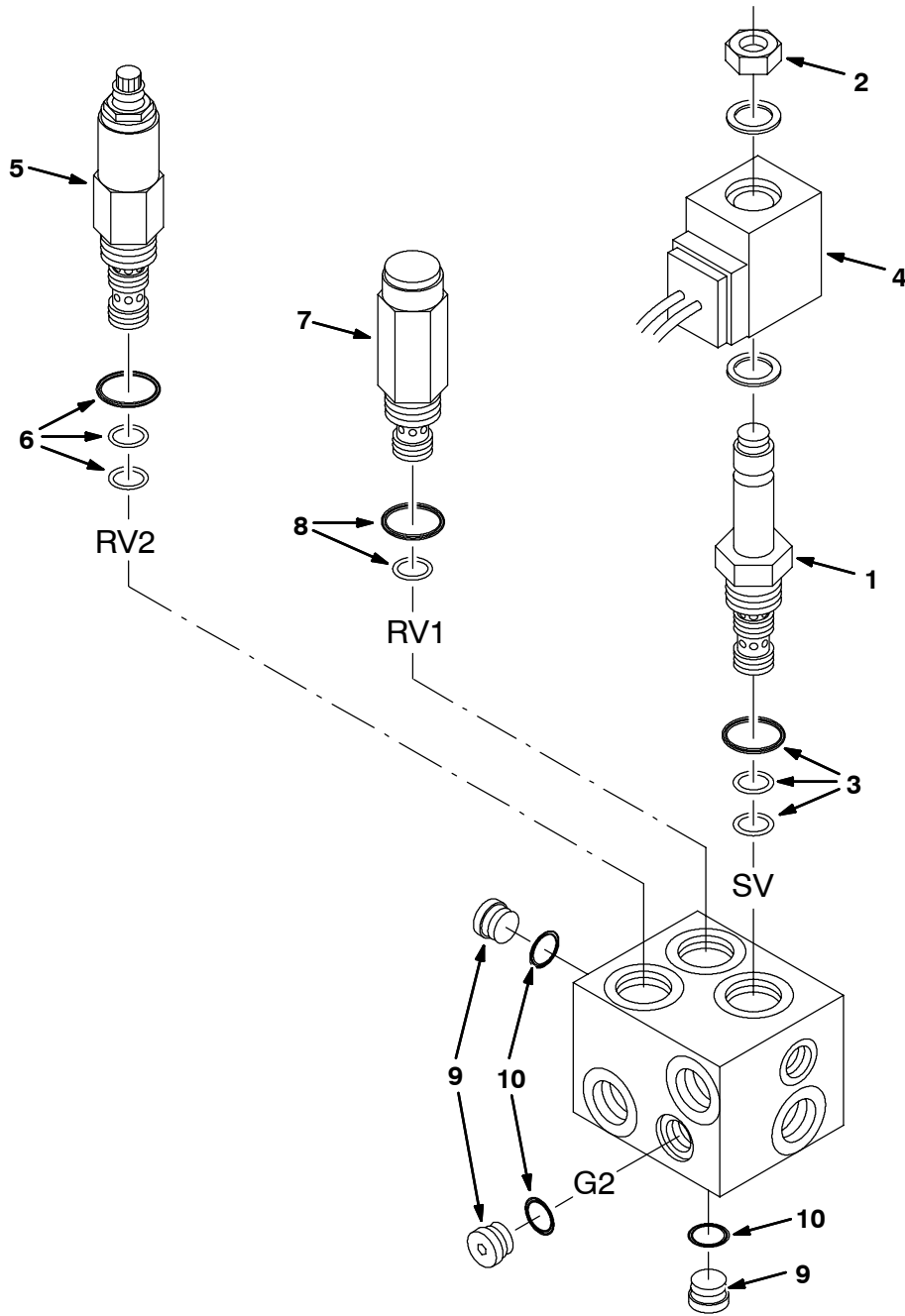
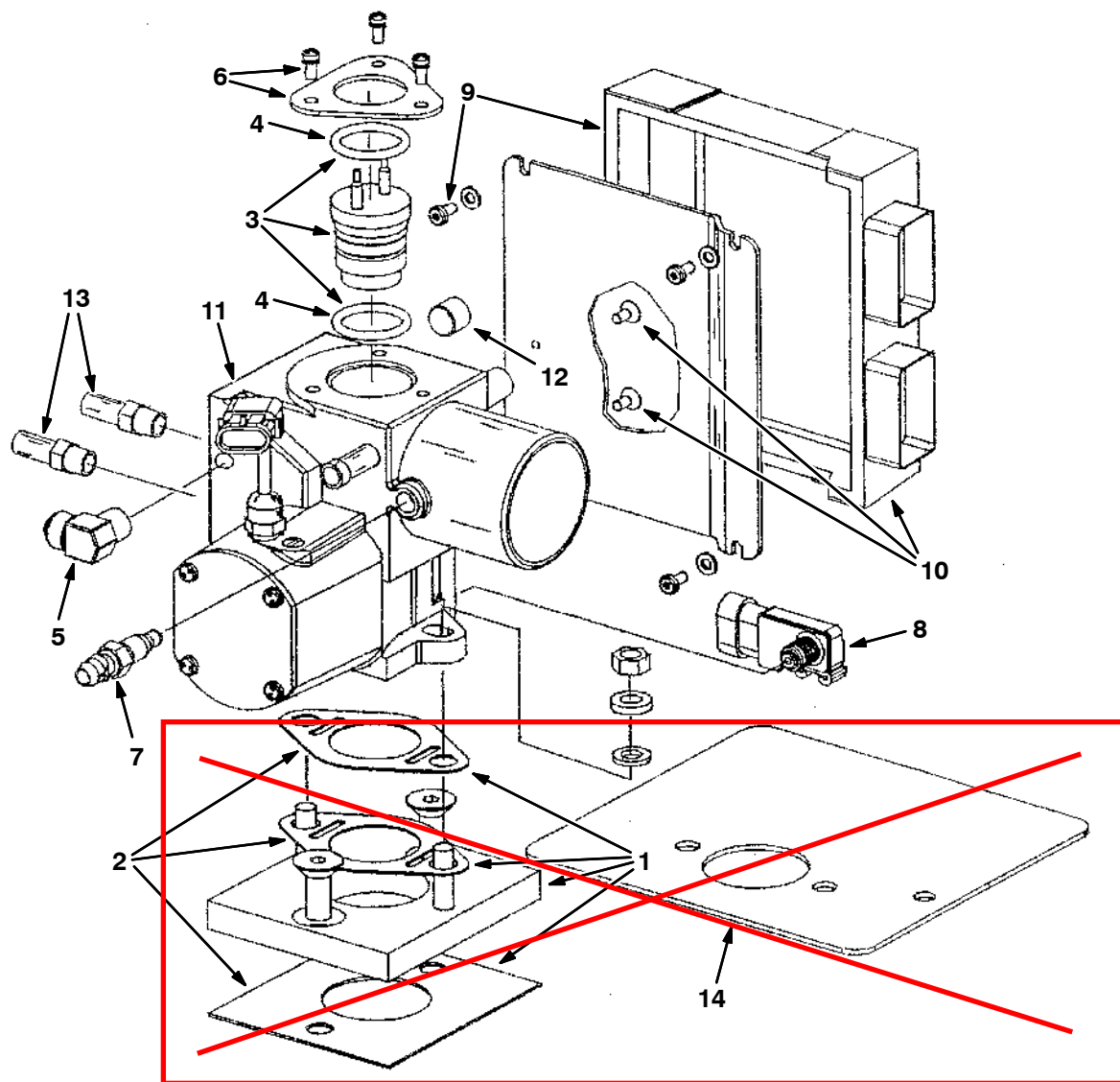




Fig. 25 - Hydraulic Solenoid Valve Breakdown, 1020194

	Ref.	Part No.	Serial Number	Description	Qty.
▽		1020194	(000000-	) Valve, Hyd, Solenoid [01s15g3100]	1
▲▽	1	373624	(000000-	) Valve, Stem, No	1
▲▲	2	373611	(000000-	) Nut, Solenoid	1
▲▲	3	373590	(000000-	) Seal Kit, Cartridge	1
▲	4	373625	(000000-	) Solenoid, Valve, Hyd, 12vdc	1
▲▽	5	373626	(000000-	) Valve, Cartridge, Cntrl	1
▲▲	6	373590	(000000-	) Seal Kit, Cartridge	1
▲▽	7	22673	(000000-	) Valve, Cartridge, Hyd, Press Cntrl	1
▲▲	8	79711	(000000-	) Seal Kit, Cartridge	1
▲▽	9	74098	(000000-	) Fitting, Hyd, Plug, Om04	3
▲▲	10	77003	(000000-	) Seal, Org, .072 X 00.35id #04	1

**Fig. 26 - LPG EFI Breakdown, 371663**



these parts are NOT included in this kit

Fig. 26 - LPG EFI Breakdown, 371663

	Ref.	Part No.	Serial Number	Description	Qty.
		371663	(000000-	) Housing Assy, Throttle, Lpg, [With Ecu]	1
	<del>▲▽</del> 1	<del>371646</del>	<del>(000000-</del>	<del>) Kit, Adaptor, Manifold</del>	<del>1</del>
	<del>▲▲</del> 2	<del>371647</del>	<del>(000000-</del>	<del>) Kit, Gasket, Manifold</del>	<del>1</del>
	▲▽	3	1017469	(000000-) Injector, Fuel, Lpg [Gm Zeems 550/6600]	1
	▲▲	4	371665	(000000-) Kit, Org, Injector, Top And Bottom, Lpg	1
	▲	5	371666	(000000-) Fitting, Fuel Inlet, Lpg	1
	▲	6	371651	(000000-) Plate, Injector Mtg, W/ Screw	1
	▲	7	371653	(000000-) Sensor, Temp	1
	▲		371714	(000000-) Kit, Connector, Coolant Sensor	1
	▲		371715	(000000-) Kit, Connector, Sensor, [lat]	1
	▲	8	371654	(000000-) Sensor, Manifold Press	1
	▲		371713	(000000-) Kit, Connector, Sensor, [Map]	1
	▲	9	9000887	(000000-) Controller Kit, Replmt	1
	▲	10	371668	(000000-) Plate, Mtg, W/ Screw, [Ecu], Lpg	1
	▲	11	371669	(000000-) Housing, Throttle, Lpg	1
	▲		371718	(000000-) Kit, Connector, Govnr	1
	▲	12	371660	(000000-) Fitting, Coolant Plug	1
	▲	13	371670	(000000-) Kit, Ftg, Coolant, Lpg	1
	<del>▲</del> 14	<del>371658</del>	<del>(000000-</del>	<del>) Shield, Heat</del>	<del>1</del>

**Fig. 27 - Gasoline EFI Breakdown, 371645**

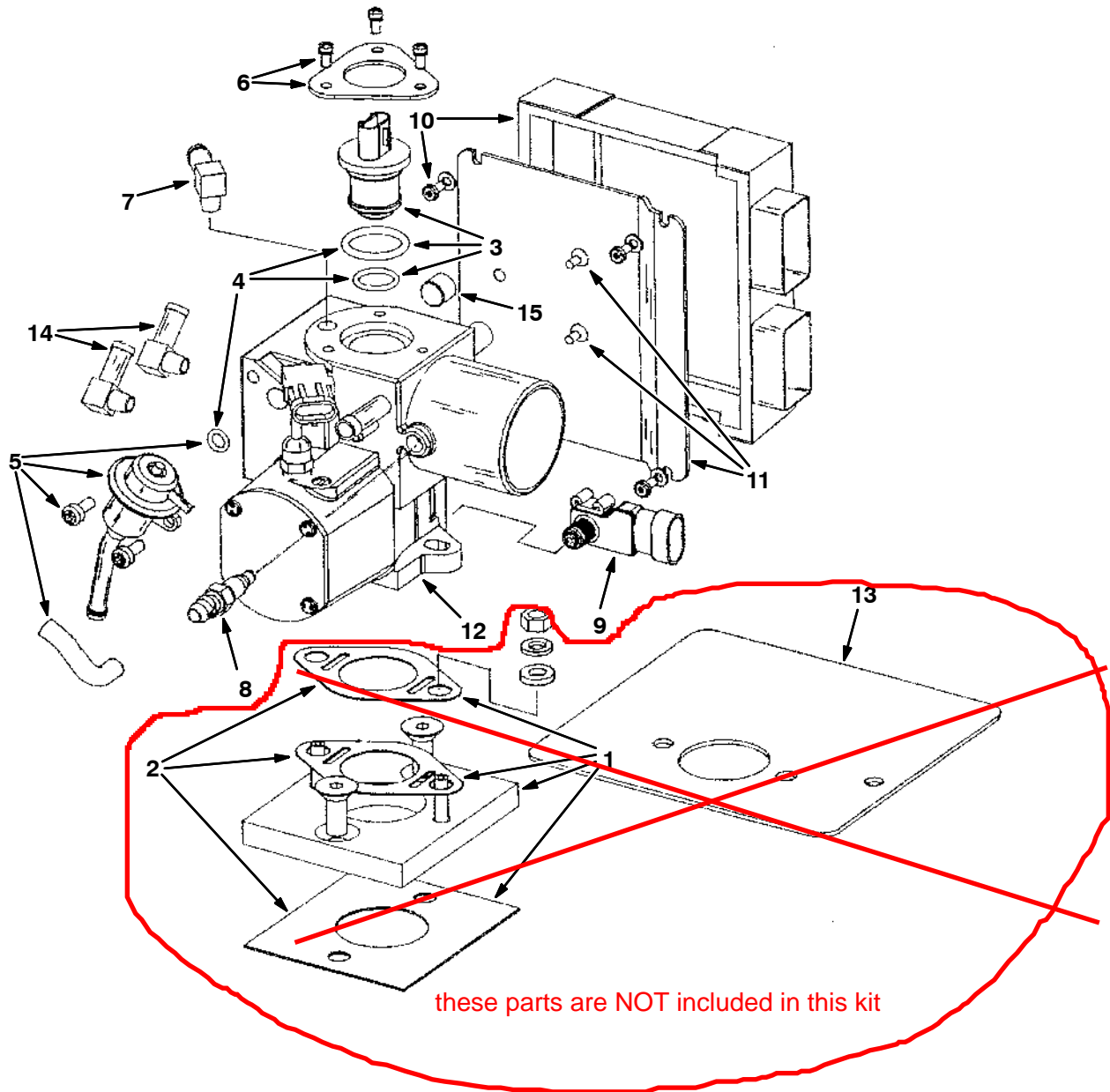


Fig. 27 - Gasoline EFI Breakdown, 371645

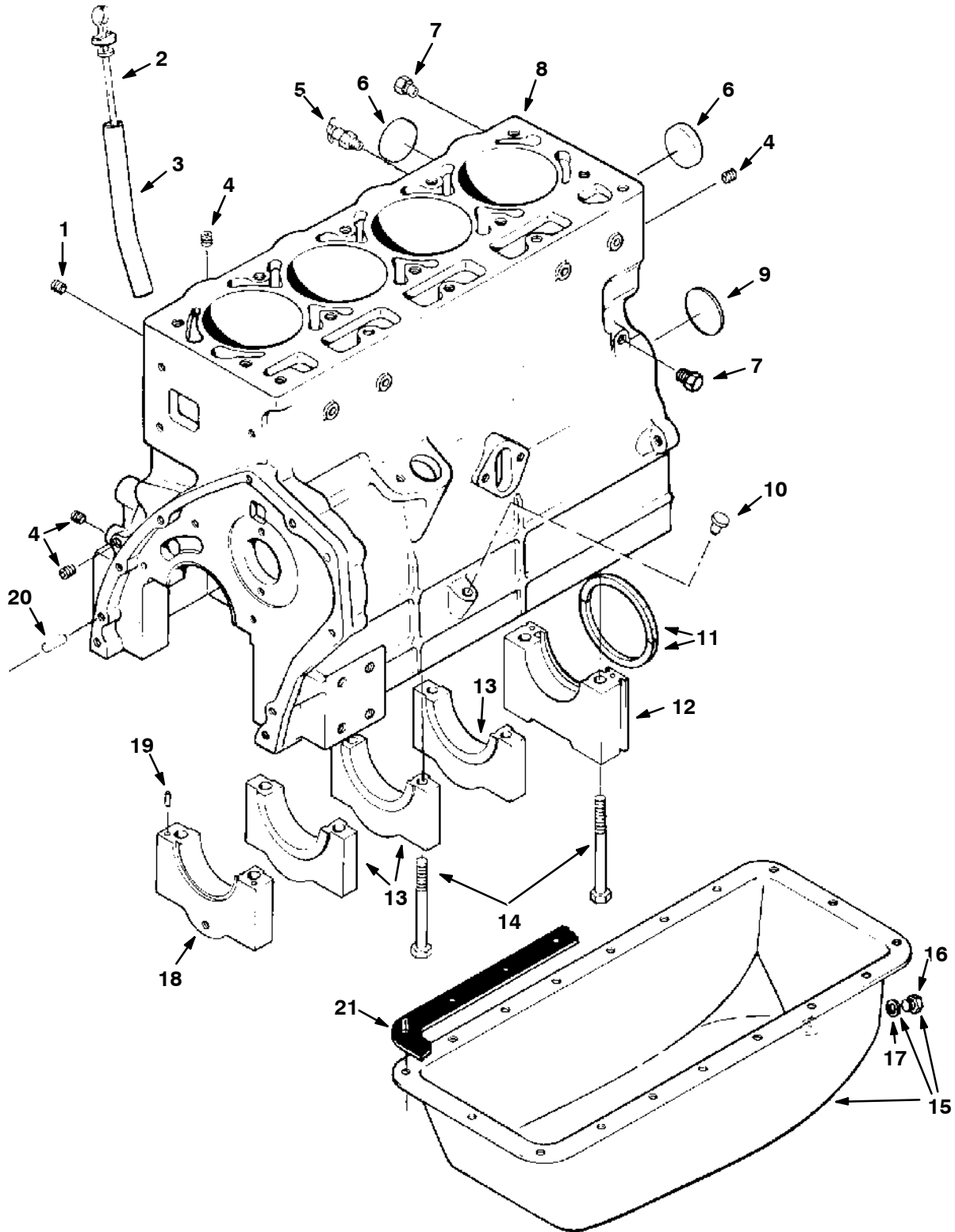
Ref.	Part No.	Serial Number	Description	Qty.
▽	371645	(000000-	) Housing Assy, Throttle, Gas, [With Ecu]	1
<del>▲▽</del> 1	<del>371646</del>	<del>(000000-</del>	<del>) Kit, Adaptor, Manifold</del>	<del>1</del>
<del>▲▲</del> 2	<del>371647</del>	<del>(000000-</del>	<del>) Kit, Gasket, Manifold</del>	<del>1</del>
▲▽	3 371648	(000000-	) Injector, Gas, W/ Top And Bottom Org	1
▲▲	4 371649	(000000-	) Kit, Org, Injector And Reg, Gas	1
▲	371716	(000000-	) Kit, Connector, Gas Injector	1
▲	5 371650	(000000-	) Kit, Reg, Gas Press	1
▲	6 371651	(000000-	) Plate, Injector Mtg, W/ Screw	1
▲	7 371652	(000000-	) Fitting, Fuel Inlet, Gas	1
▲	371714	(000000-	) Kit, Connector, Coolant Sensor	1
▲	371715	(000000-	) Kit, Connector, Sensor, [lat]	1
▲	8 371653	(000000-	) Sensor, Temp	1
▲	9 371654	(000000-	) Sensor, Manifold Press	1
▲	10 371655	(000000-	) Control, Electronic, Gas	1
▲	11 371656	(000000-	) Plate, Mtg, W/ Screw, [Ecu], Gas	1
▲	12 371657	(000000-	) Housing, Throttle, Gas	1
▲	371718	(000000-	) Kit, Connector, Govnr	1
<del>▲</del> 13	<del>371658</del>	<del>(000000-</del>	<del>) Shield, Heat</del>	<del>1</del>
▲	14 371659	(000000-	) Kit, Ftg, Coolant, Gas	1
▲	15 371660	(000000-	) Fitting, Coolant Plug	1



# SECTION 11

<b>Contents</b>	<b>Page</b>
Fig. 1 - Engine Block Group .....	11-2
Fig. 2 - Cylinder Head Group .....	11-4
Fig. 3 - Camshaft Group .....	11-6
Fig. 4 - Crankshaft Group .....	11-8
Fig. 5 - Piston Group .....	11-9
Fig. 6 - Oil Pump Group .....	11-10
Fig. 7 - Gear Cover Group .....	11-11
Fig. 8 - Flywheel and Starter Group .....	11-12
Fig. 9 - Intake and Exhaust Manifold Group ..	11-13
Fig. 10 - Water Pump Group .....	11-14
Fig. 11 - Water Header and Thermostat Group	11-15
Fig. 12 - Carburetor and Controls Group .....	11-16
Fig. 13 - Oil Filter Group .....	11-17
Fig. 14 - Distributor and Fuel Pump Group ...	11-18

Fig. 1 - Engine Block Group





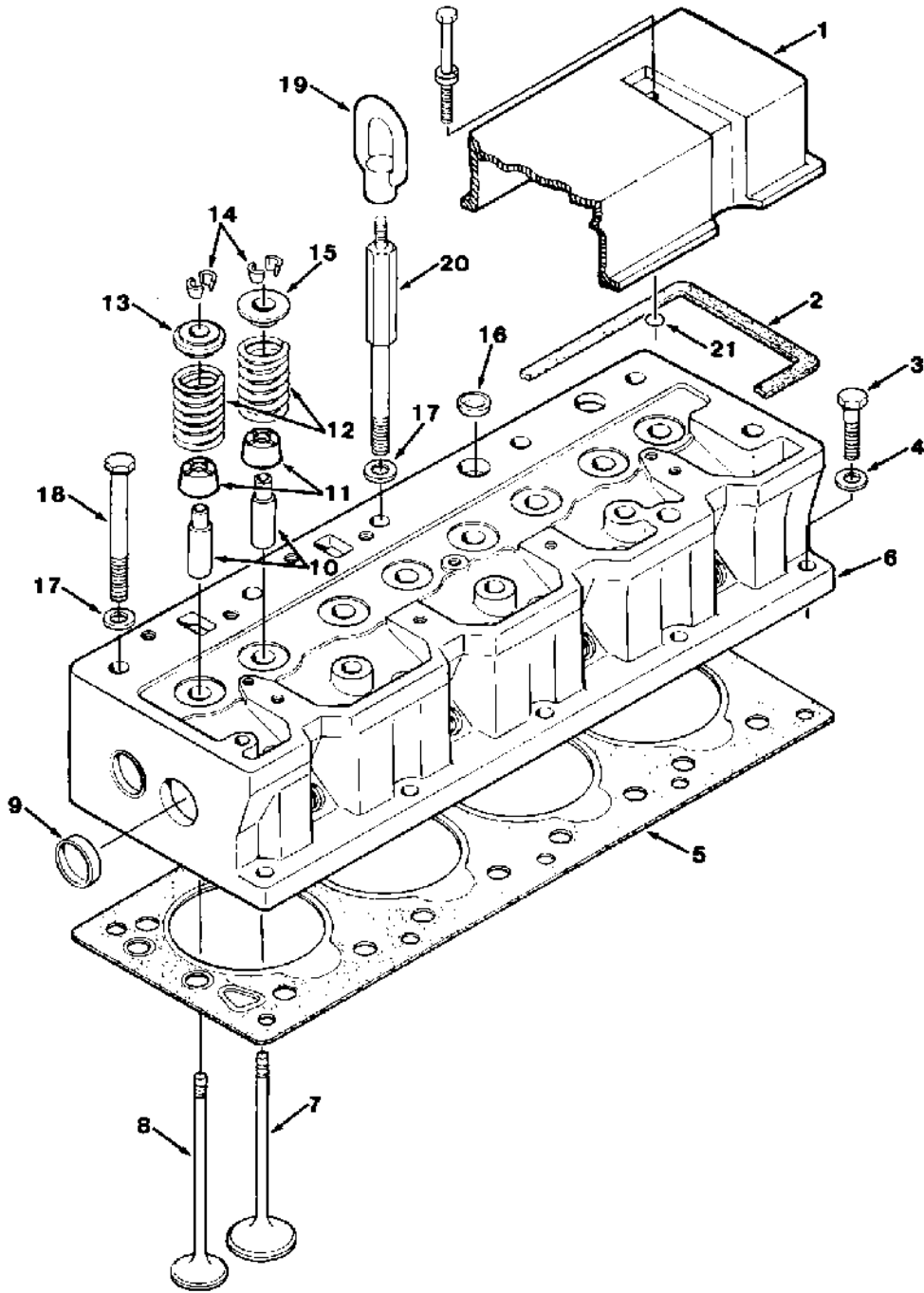
# CONTINENTAL ENGINE BREAKDOWN, GASOLINE, LPG

01606 - 550, 1550, G, LP

**Fig. 1 - Engine Block Group**

Ref.	Part No.	Description	Qty.
1	393725	Plug, Crankcase	1
2	38404	Rod, Oil Gauge	1
3	52736	Tube, Oil Gauge	1
4	393726	Plug, Crankcase	5
5	51305	Cock, Drain	1
6	78517	Plug, Cup	5
7	393679	Plug	2
8	31945	Short Block Assembly, R, Includes: Block, Tappets, Camshaft, Crankshaft, Main Bearings, Bearing Caps, Pistons, Piston Pins, Piston Rings, Connecting Rods, Rod Bearings, Thrustplate, Cam Gear, Gear, Oil Pump, Oil Gauge Support, and Gasket Set	1
8	31944	Long Block Assembly, S, Includes: R Short Block Assembly Plus - Head, Guides, Valves and Associated Parts, Rocker Arm Shaft Assembly, Push-rods, Head Cover, Gear Cover, Oil Pan, Oil Filler Cap, and Gasket Set	1
9	38413	Plug, Expansion	1
10	393680	Plug, Crankcase	1
11	38408	Seal, Oil	2
12	393728	Cap and Filler Block, Rear Bearing	1
	38758	Gasket, Rear Bearing Cap	1
13	393683	Cap, Crankshaft Bearing	3
14	393684	Screw	10
15	393730	Oil Pan Assembly	1
▽	15 61711	Oil Pan Assembly	1
▲	16 38082	Plug, Drain	1
▲	17 388260	Washer, Drain Plug	1
18	393685	Cap, Crankshaft	1
19	393732	Dowel, Bearing Cap	4
20	393687	Pin, Dowel	2
21	38758	Gasket, Oil Pan, Form-in-Place	1

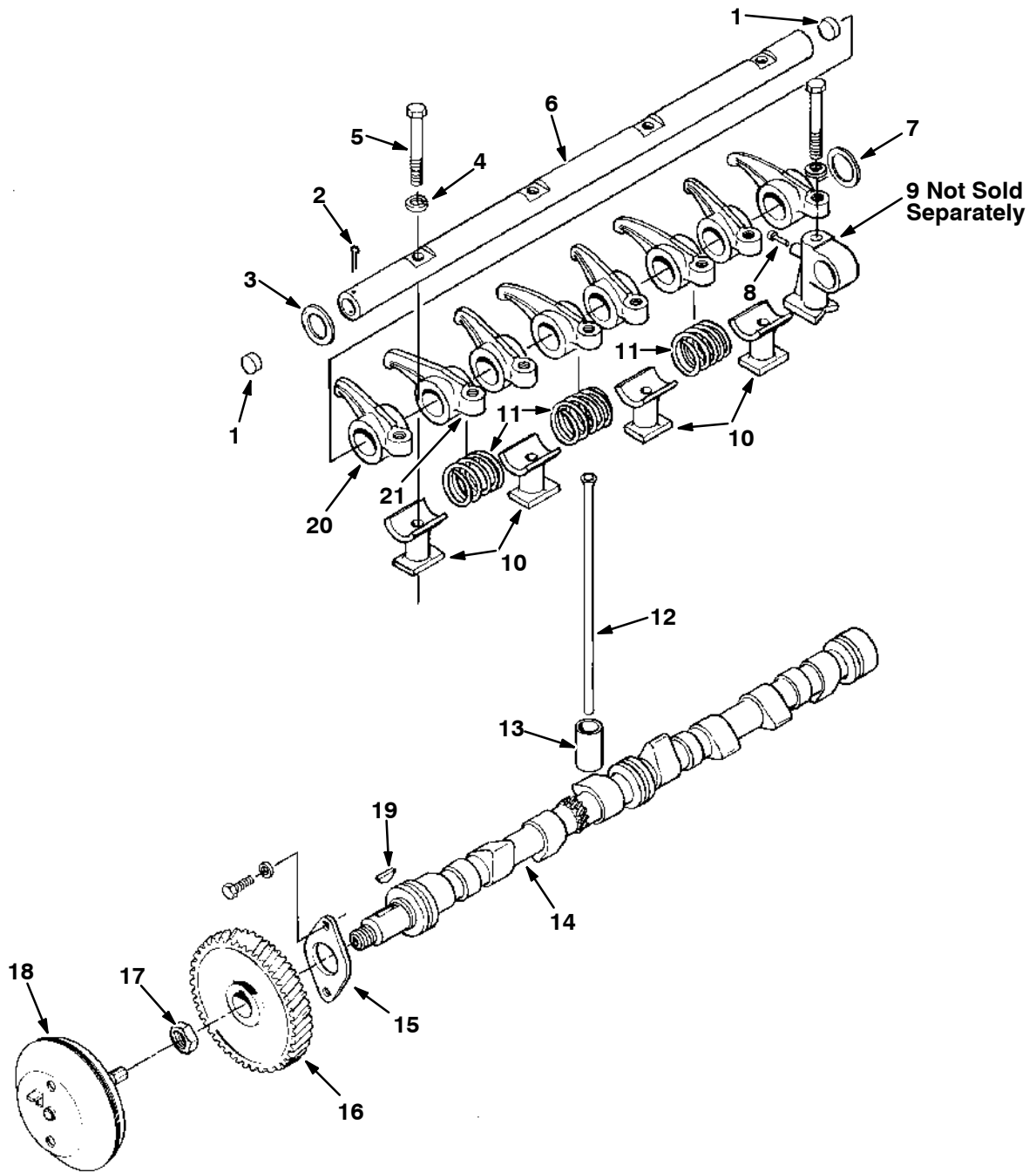
Fig. 2 - Cylinder Head Group



**Fig. 2 - Cylinder Head Group**

<b>Ref.</b>	<b>Part No.</b>	<b>Description</b>	<b>Qty.</b>	
1	38397	Cover, Cylinder Head	1	
2	34876	Gasket, Head Cover	1	
3	52886	Screw	5	
4	37942	Washer, Plain	5	
5	38665	Gasket, Cylinder Head	1	
▽	6	38757	Head Assembly, Cylinder	1
▲	7	52726	Valve, Intake	4
▲	8	52727	Valve, Exhaust	4
▲		393733	Seat, Exhaust Valve	4
▲	9	61741	Plug, Cup	4
▲	10	16153	Guide, Valve Stem	8
▲	11	61794	Guard, Valve Stem Oil	8
▲	12	42116	Spring, Valve	8
▲	13	370842	Roto-Coil, Exhaust	4
▲	14	393695	Lock, Valve Spring Retainer	16
▲	15	370725	Retainer, Valve Spring	4
▲	16	77880	Plug, Cup	2
	17	52898	Washer, Plain	10
	18	38923	Screw	9
	19	393696	Eye, Lifting	1
	20	38923	Screw	1
	21	61725	O-Ring	3
		38774	Gasket Set	1

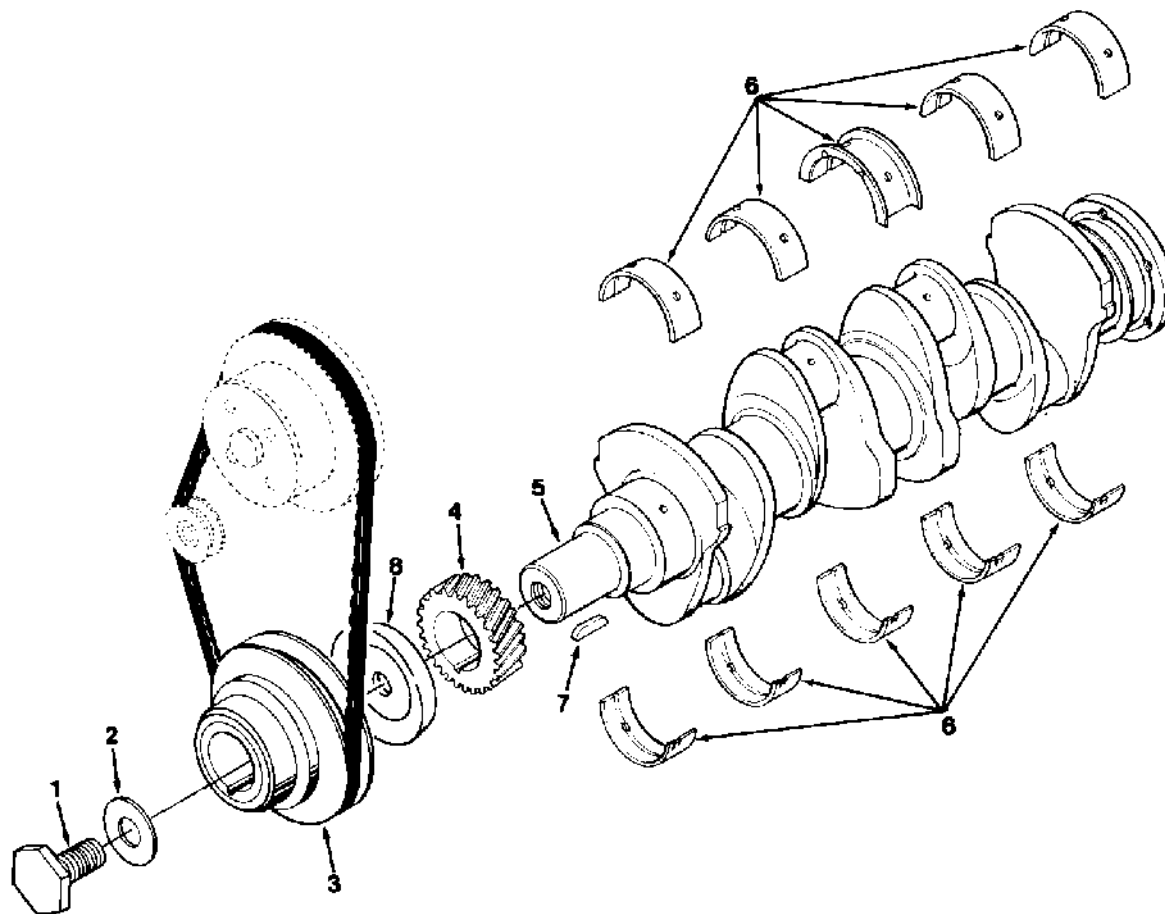
Fig. 3 - Camshaft Group



**Fig. 3 - Camshaft Group**

<b>Ref.</b>	<b>Part No.</b>	<b>Description</b>	<b>Qty.</b>
1	388078	Plug, Shaft Ends	2
2	393699	Pin, Cotter	2
3	393700	Washer, Flat	2
4	393701	Washer, Flat	5
5	388080	Screw	4
6	393734	Shaft, Rocker Arm	1
7	393735	Washer, Wavy	2
8	393736	Pin, Rear Support Top	1
9		Support, Rocker Arm Shaft, Rear (NOT AVAILABLE)	4
10	373702	Support, Rocker Arm Shaft	4
11	393703	Spring, Rocker Arm Shaft	3
12	370726	Rod, Push	8
13	52725	Tappet, Valve	8
14	52728	Camshaft	1
15	38753	Plate, Camshaft Thrust	1
16	393737	Gear, Camshaft	1
17	370843	Nut	1
18	53327	Governor Assembly	1
19	42337	Key	1
20	52730	Arm Assembly, Rocker, Exhaust	4
21	52734	Arm Assembly, Rocker, Intake	4

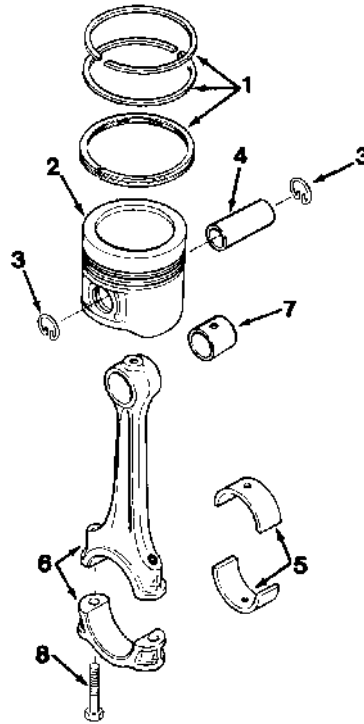
**Fig. 4 - Crankshaft Group**



09767 - 550, 1550, G, LP

Ref.	Part No.	Description	Qty.
1	388224	Screw, Crankshaft	1
2	393705	Washer, Plain	1
3	61736	Pulley, Crankshaft	1
4	370840	Gear, Crankshaft	1
5	42148	Crankshaft	1
6	12784	Bearing Kit, Crankshaft, Standard	1
6	52753	Bearing Kit, Crankshaft, 0.25 mm undersize	1
6	21782	Bearing Kit, Crankshaft, 0.50 mm undersize	1
6	61724	Bearing Kit, Crankshaft, 0.75 mm undersize	1
6	393707	Bearing Kit, Crankshaft, 1.00 mm undersize	1
7	61762	Key (Replaced by None)	1
8	61775	Slinger, Oil (Replaced by None)	1

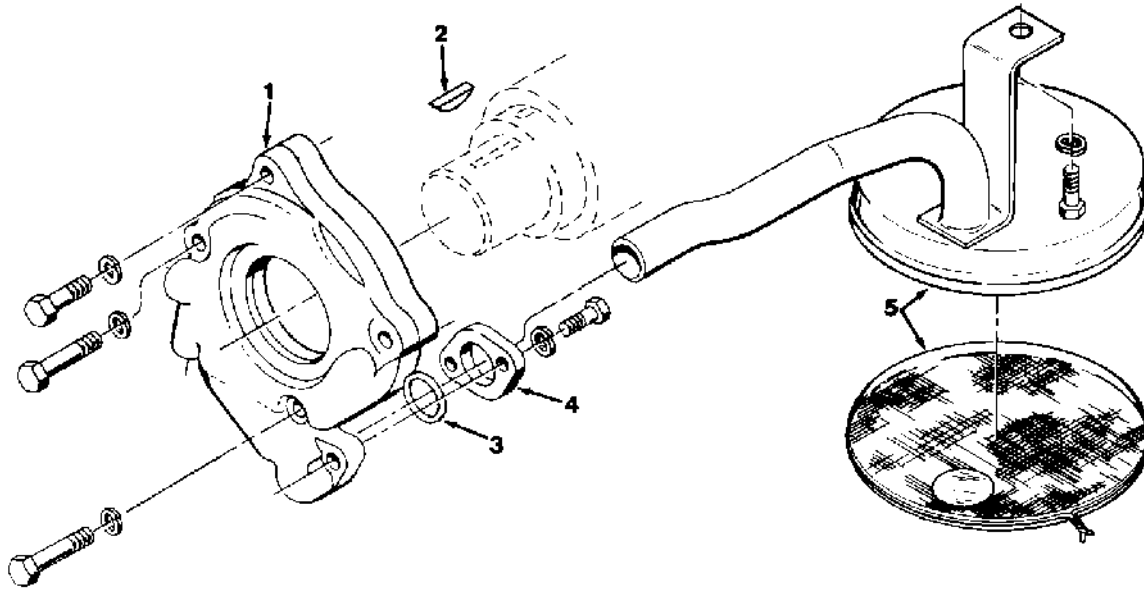
Fig. 5 - Piston Group



01610 - 550, 1550, G, LP

Ref.	Part No.	Description	Qty.	
1	30065	Ring Kit, Re-Ring, Standard	4	
1	10117	Ring Kit, Re-Ring, 0.50 mm Oversize	4	
1	38784	Ring Kit, Re-Ring, 0.75 mm Oversize	4	
1	393742	Ring Kit, Re-Ring, 1.00 mm Oversize	4	
2	77891	Piston Assembly, Standard	4	
2	38840	Piston Assembly, 0.50 mm Oversize	4	
2	38850	Piston Assembly, 0.75 mm Oversize	4	
▽	2	38848	Piston Assembly, 1.00 mm Oversize	4
▲	3	38572	Ring, Retaining	2
▲	4	52720	Pin, Piston	1
5	38916	Bearing, Connecting Rod, Standard	4	
5	38787	Bearing, Connecting Rod, 0.25 mm undersize	4	
5	393744	Bearing, Connecting Rod, 0.50 mm undersize	4	
5	393713	Bearing, Connecting Rod, 0.75 mm undersize	4	
5	38847	Bearing, Connecting Rod, 1.00 mmundersize	4	
▽	6	38917	Rod Assembly, Connecting	4
▲	7	52724	Bushing, Piston Pin	4
▲	8	393714	Bolt, Connecting Rod	8

**Fig. 6 - Oil Pump Group**

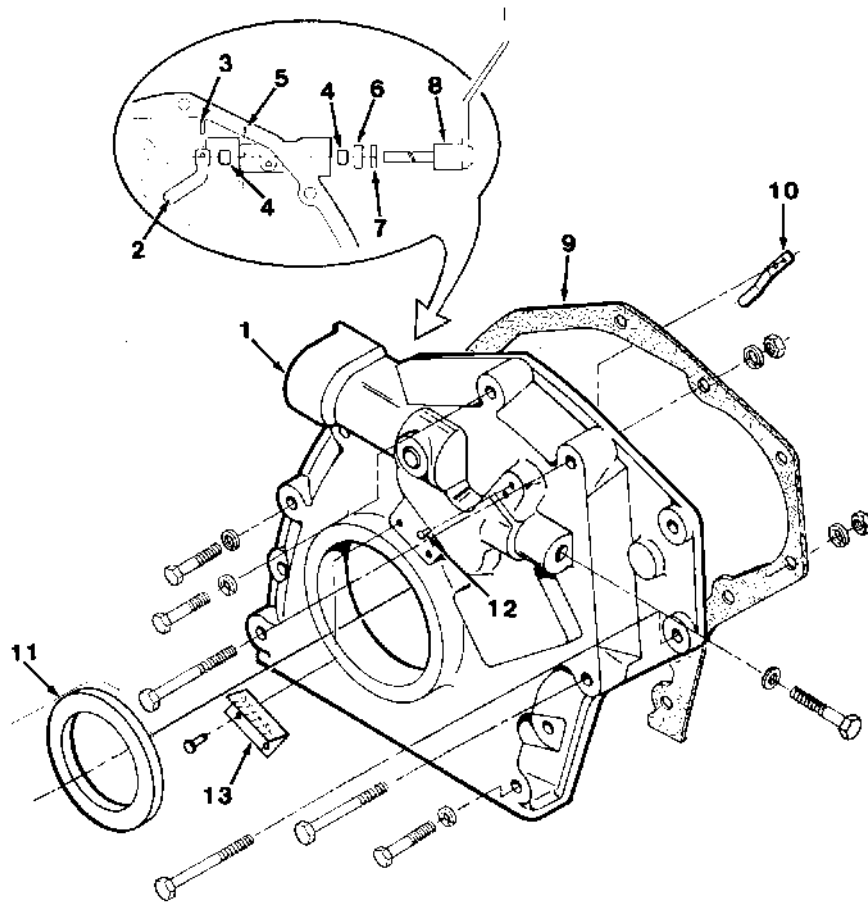


01611 - 550, 1550, G, LP

Ref.	Part No.	Description	Qty.
1	38920	Pump, Oil	1
2	61749	Key, Woodruff	1
3	52764	O-Ring	1
4	393747	Adapter, Inlet Tube	1
5	393748	Tube Assembly, Oil Pump Inlet	1



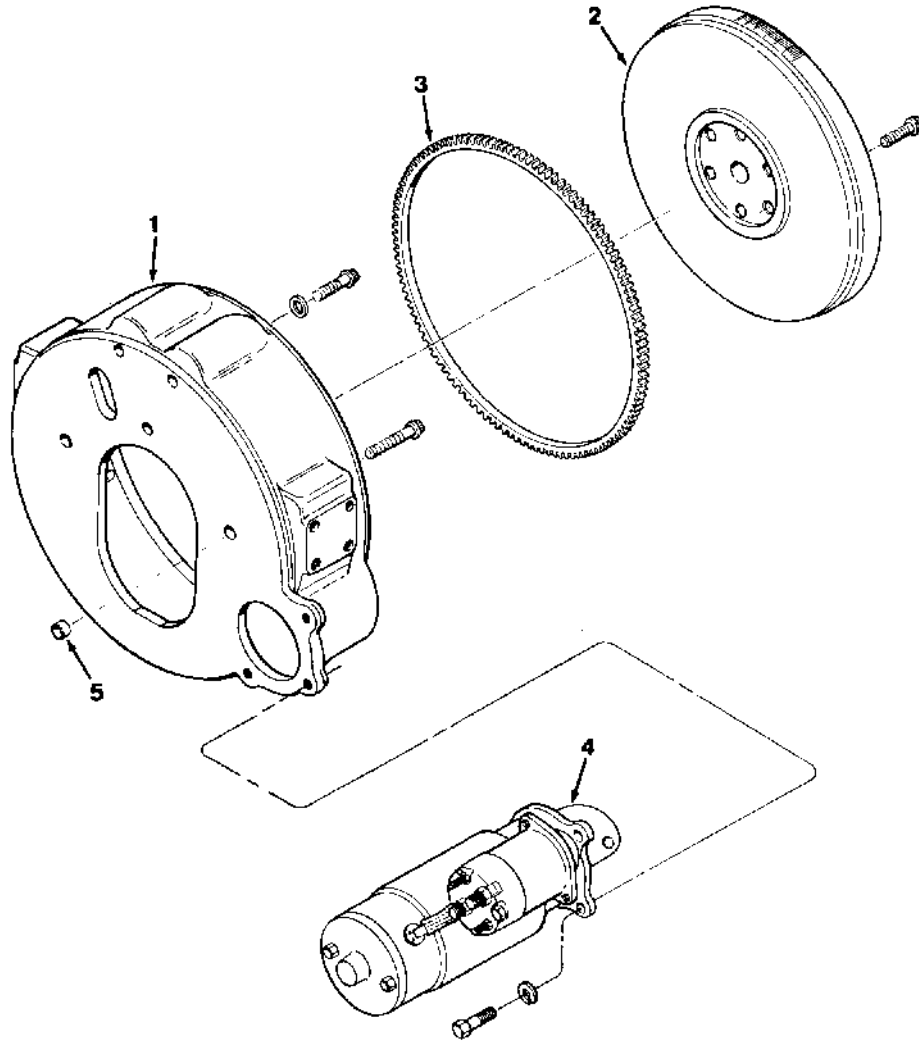
**Fig. 7 - Gear Cover Group**



01612 - 550, 1550, G, LP

Ref.	Part No.	Description	Qty.
▽	1 52721	Cover Assembly, Gear	1
▲	2 53304	Arm, Rocker	1
▲	3 61812	Pin, Groove	1
▲	4 53303	Bearing, Rocker Shaft	2
▲	5 52851	Pin, Groove	1
▲	6 52481	Seal, Shaft Oil	1
▲	7 53321	Seal, Shaft	1
▲	8 393749	Lever and Shaft Assembly, Governor, Gasoline	1
▲	8 393750	Lever and Shaft Assembly, Governor, LPG	1
▲	9 38381	Gasket, Gear Cover	1
▲	10 52741	Spring, Governor Bumper	1
▲	11 38416	Seal, Oil	1
▲	12 393751	Rivet	2
	13 393717	Pointer, Engine Timing	1
	38855	Gasket Set, Front	1

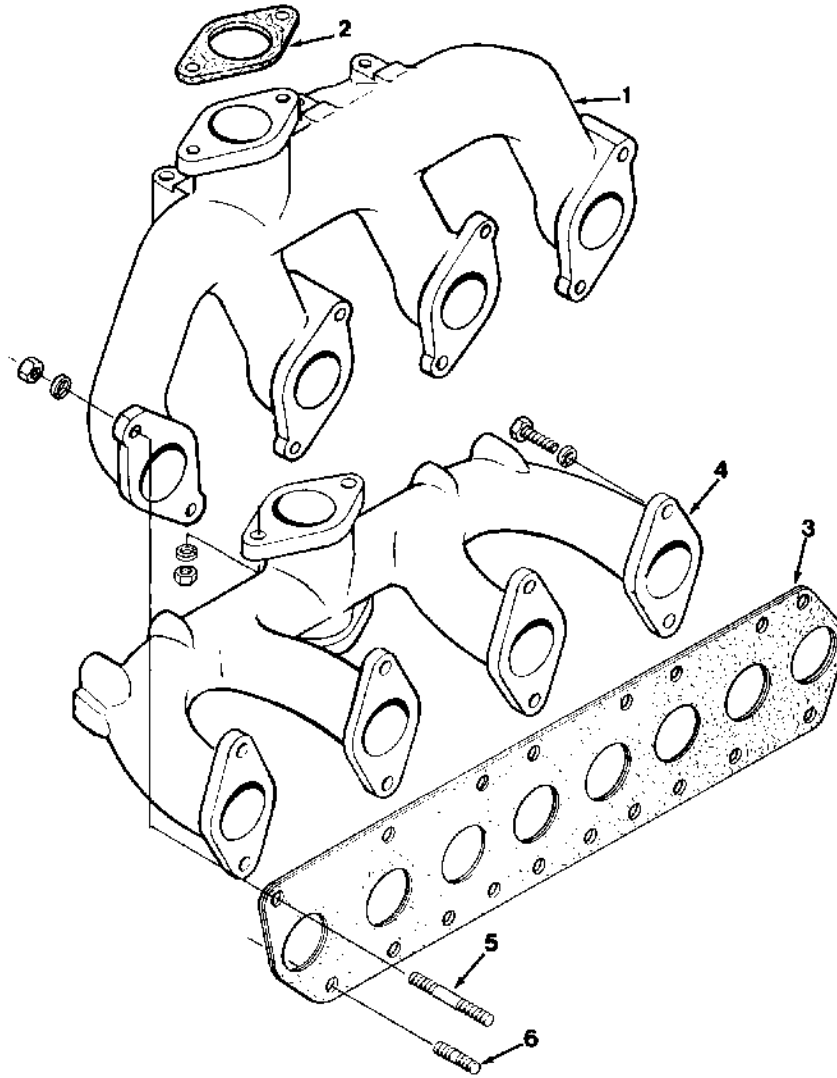
**Fig. 8 - Flywheel and Starter Group**



01613 - 550, 1550, G, LP

	<b>Ref.</b>	<b>Part No.</b>	<b>Description</b>	<b>Qty.</b>
	1	16143	Housing, Flywheel	1
▽	2	16851	Flywheel	1
▲	3	16852	Ring Gear	1
	4	16865	Starter	1
	5	393720	Dowel, Ring	2

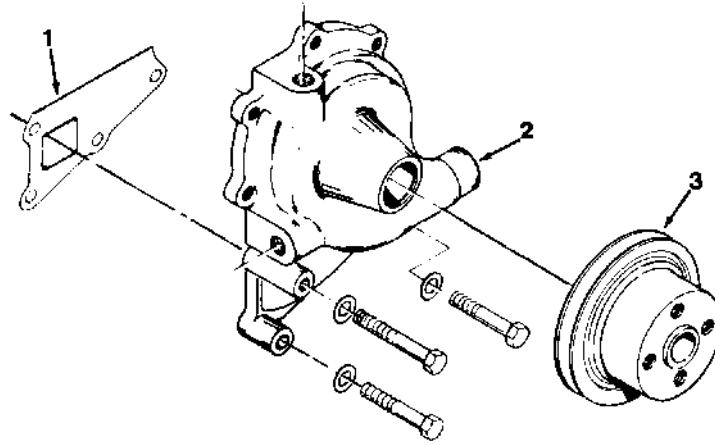
**Fig. 9 - Intake and Exhaust Manifold Group**



09761 - 550, 1550, G, LP

Ref.	Part No.	Description	Qty.
1	38420	Manifold, Exhaust	1
▽	34640	Gasket Set, Manifold	1
▲	2 34796	Gasket, Manifold	1
▲	3 38843	Gasket, Manifold	1
4	38421	Manifold, Intake	1
5	52888	Stud	2
6	38924	Stud	6

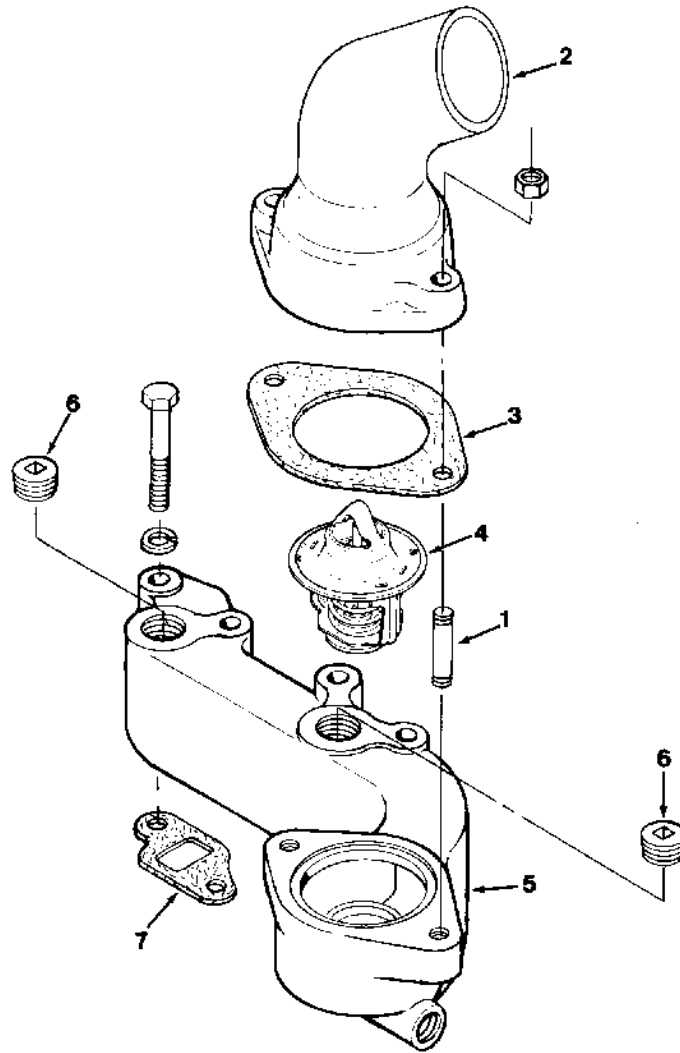
**Fig. 10 - Water Pump Group**



01615 - 550, 1550, G, LP

	<b>Ref.</b>	<b>Part No.</b>	<b>Description</b>	<b>Qty.</b>
	1	34873	Gasket, Water Pump to Crankcase	1
▽	2	34429	Pump, Water	1
▲		38788	Repair Kit, Water Pump	1
▲	3	38918	Pulley, Water Pump	1

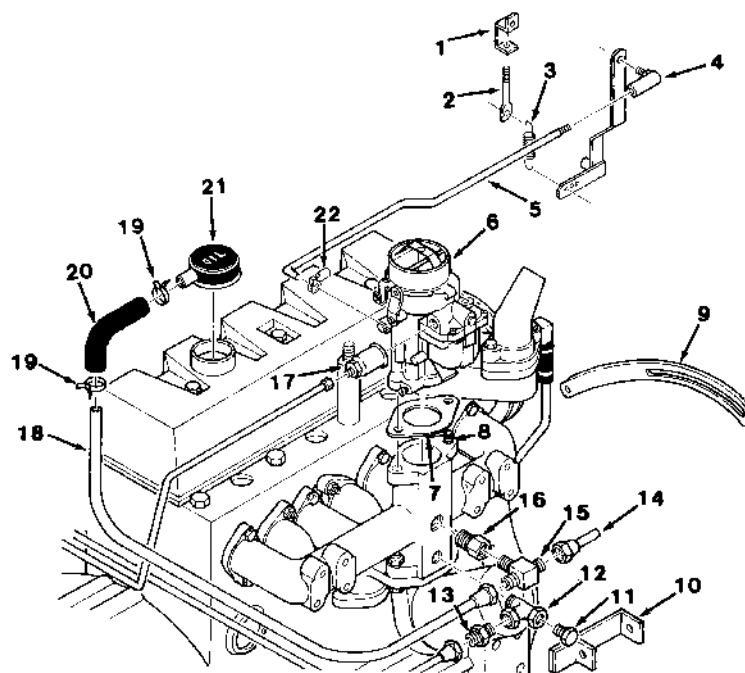
**Fig. 11 - Water Header and Thermostat Group**



01616 - 550, 1550, G, LP

Ref.	Part No.	Description	Qty.
1	393721	Stud	2
2	38401	Elbow, Water Outlet	1
▽	34752	Thermostat and Gasket	1
▲	53988-12	Gasket, Elbow	1
▲	53988-13	Thermostat	1
5	393722	Header, Water Outlet	1
6		Plug (obsolete)	2
7	30035	Gasket, Header	2

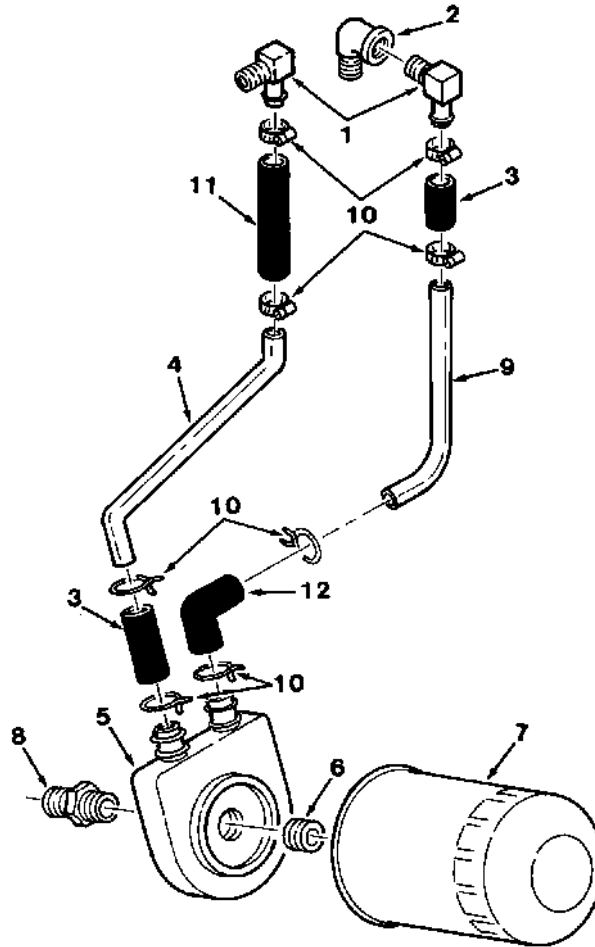
Fig. 12 - Carburetor and Controls Group



01618 - 550, 1550, G, LP

Ref.	Part No.	Description	Qty.	
1	52748	Anchor, Governor Spring	1	
2	370706	Screw, Governor Spring	1	
3	37934	Spring, Governor	1	
4	393753	Balljoint	1	
5	52751	Rod, Control	1	
▽	34798	Carburetor and Gasket, LPG	1	
▲	6	34797	Carburetor, LPG	1
▲	7	38010	Gasket, Carburetor	1
▲	02742	Carburator Repair Kit	1	
▽	65948	Carburetor and Gasket, Gasoline	1	
▲	65949	Carburetor, Gasoline	1	
▲	65950	Gasket, Carburetor	1	
8	52887	Stud	2	
9	30036	Strap, Adjusting, Alternator	1	
10	393754	Bracket, Alternator	1	
11	393679	Plug	1	
12	393755	Tee	1	
13	393756	Connector	1	
14	52722	Adapter	1	
15	38859	Tee	1	
16	52872	Adapter	1	
17	34749	Filter, Fuel, Gasoline	1	
18	52723	Tube, PCV	1	
19	52765	Clamp	2	
20	52613	Hose	1	
21	38403	Cap, Oil Filler	1	
22	393757	Clip, Rod End	1	

Fig. 13 - Oil Filter Group

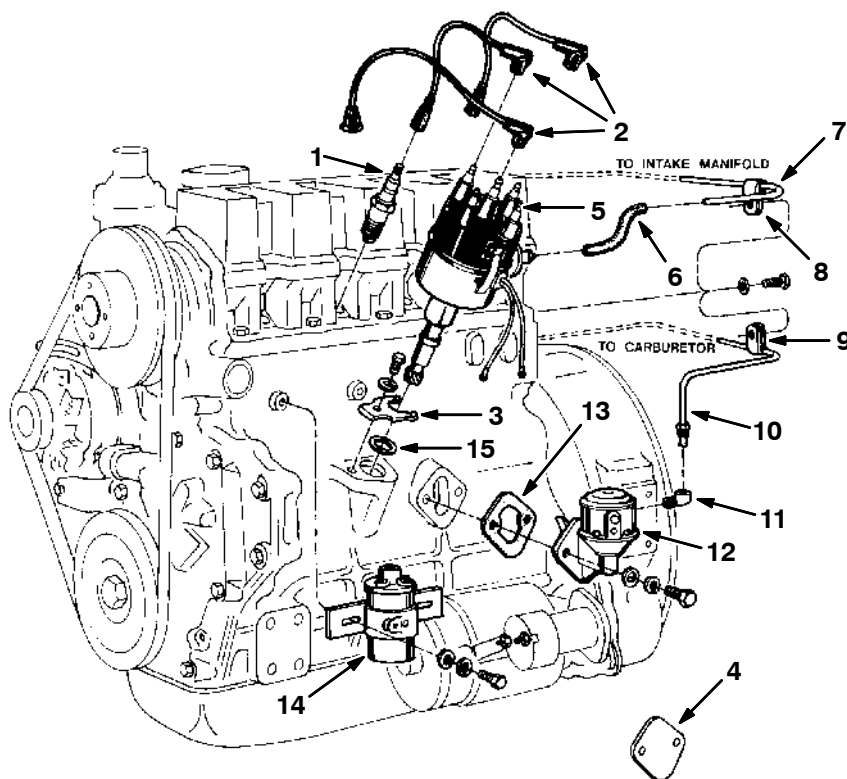


09772 - 550, 1550, G, LP

Ref.	Part No.	Description	Qty.
1	47388	Elbow, Water Header	2
2	393724	Elbow, Water Pump	1
3	38856	Hose, Oil Cooler	2
4	38409	Tube, Oil Cooler	1
5	38405	Cooler, Oil	1
6	38402	Adapter, Oil Filter	1
7	16853	Element, Oil Filter	1
8	77895	Connector, Oil Cooler	1
9	38406	Tube, Oil Cooler	1
10	52766	Clamp, Hose	8
11	38857	Hose, Oil Cooler	1
12	38919	Hose, Oil Cooler	1

# CONTINENTAL ENGINE BREAKDOWN, GASOLINE, LPG

Fig. 14 - Distributor and Fuel Pump Group



01617 - 1550, G, LP

Ref.	Part No.	Description	Qty.	
1	34726	Spark Plug, Gasoline	4	
1	34297	Spark Plug, LPG	4	
▽	2	34727	Kit, Wire, Ignition	1
3	393765	Clamp, Distributor	1	
4	47675	Cover, Fuel Pump Hole, LPG	1	
▽	5	38410	① Distributor Assembly, (replaced by 09892)	1
▲		34193	① Cap	1
▲		34189	① Rotor	1
▽	5	38991	② Distributor Assembly	1
▲		09819	② Cap and Gasket	1
▲		09837	② Rotor	1
▲		09852	② Cover, Dust	1
▲		09910	② Cap, Gasket	1
▲		09861	② Magnet	1
▲		09867	② Module	1
▲			② Weights Set, Advance	1
▲		09890	② Spring Set, Advance	1
▲		09891	② Vacuum Advance	1
▲		09857	② Gear Kit	1
	6	370707	② Hose, Vacuum	1
	7	370705	Tube, Vacuum	1
	8	38789	Clip	1
	9	393760	Clip	1
	10	38550	⑤ Tube, Fuel (for Engines 34920/34930) (Replaced by none)	1
	10	33855	⑥ Tube, Fuel (for Engines 34920/34930)	1



# CONTINENTAL ENGINE BREAKDOWN, GASOLINE, LPG

**Fig. 14 - Distributor and Fuel Pump Group**

Ref.	Part No.	Description	Qty.
10	393761	Tube, Fuel (for Engines 16860/16870)	1
11	393762	Elbow	1
	33843	⑤ Pump Replacement Kit	1
▽	33848	⑥ Pump and Gasket, Fuel	1
▲	12 33849	Pump, Fuel	1
▲	13 47680	Gasket, Fuel Pump	1
	14 38992	③ Coil Assembly, Ignition (Replaced by 79092)	1
	79092	③ Coil Replacement Kit	1
	79091	④ Coil	1
	393763	③ Bracket, Coil (Replaced by 79092)	1
	09877	③ Restistor (Replaced by 79092)	1
	393764	③ Bracket, Resistor (Replaced by 79092)	1
15	52618	Gasket, Distributor	1
	33850	⑥ Plate, Adapter, Pump	1

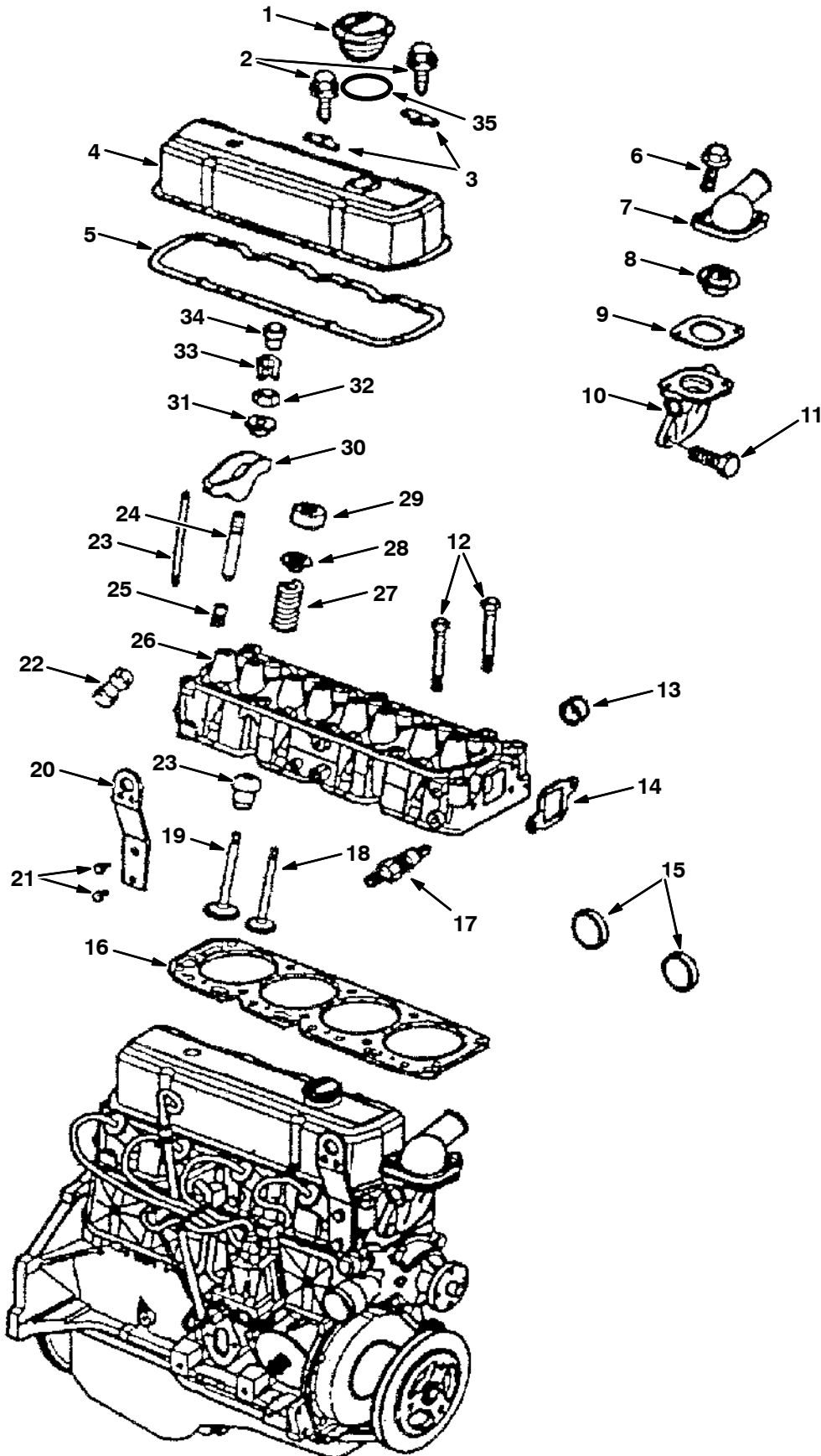
- ① Teledyne Continental Engine Serial Number (000000-302530)
- ② Teledyne Continental Engine Serial Number (302531- )
- ③ Teledyne Continental Engine Serial Number (302531- xxxxxx)
- ④ Teledyne Continental Engine Serial Number ( xxxxxx- )
- ⑤ Teledyne Continental Engine Serial Number (000000-000472)
- ⑥ Teledyne Continental Engine Serial Number (000473- )



# SECTION 12

<b>Contents</b>	<b>Page</b>
Fig. 1 - Cylinder Head, Valves Group . . . . .	12-2
Fig. 2 - Distributor and Ignition Group . . . . .	12-4
Fig. 3 - Engine Block and Piston Group . . . . .	12-6
Fig. 4 - Oil Pump and Oil Pan Group . . . . .	12-8
Fig. 5 - Crankshaft Group . . . . .	12-10
Fig. 6 - Camshaft and Water Pump Group . . .	12-12

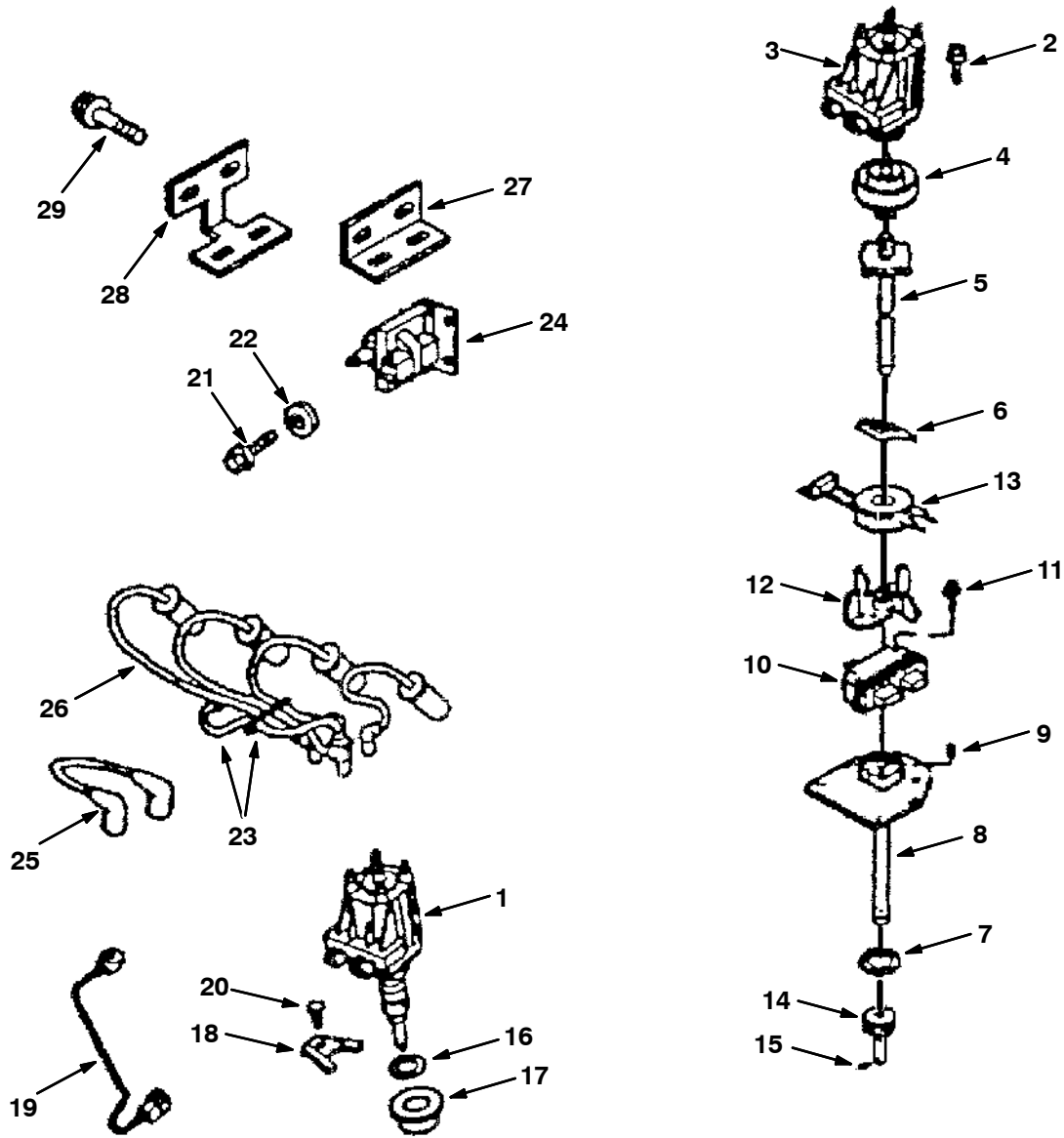
Fig. 1 - Cylinder Head, Valves Group



**Fig. 1 - Cylinder Head, Valves Group**

<b>Ref.</b>	<b>Part No.</b>	<b>Description</b>	<b>Qty.</b>
1	393894	Cap, Oil Filler	1
2	393824	Bolt	-
3	393895	Reinforcement	-
4	393896	Cover	1
5	393897	Gasket	-
6	393898	Bolt	3
7	393899	Outlet	1
8	393900	Thermostat	1
9	393901	Gasket	1
10	393902	Housing	1
11	393898	Bolt	3
12	393903	Bolt	-
13	393904	Plug	2
14	393917	Gasket	1
15	393918	Plug	-
16	393933	Gasket	1
17	393934	Spark Plug	4
18	393935	Valve, Exhaust	4
19	393936	Valve, Intake	4
20	393937	Bracket	1
21	393938	Bolt	8
22	393951	Lifter	8
23	393952	Rod	8
24	393953	Stud, .003" O.S.	8
24	393954	Stud, .013" O.S.	8
25	393955	Sealer	8
26	393956	Head	1
27	393957	Spring	8
28	393958	Cap, Valve Spring	8
29	393959	Shield	12
30	393960	Arm Kit	8
31	393961	Ball	8
32	393962	Nut	8
33	393963	Key	16
34	393964	Rotator	4
35	393993	Grommet, Breather, Oil	1

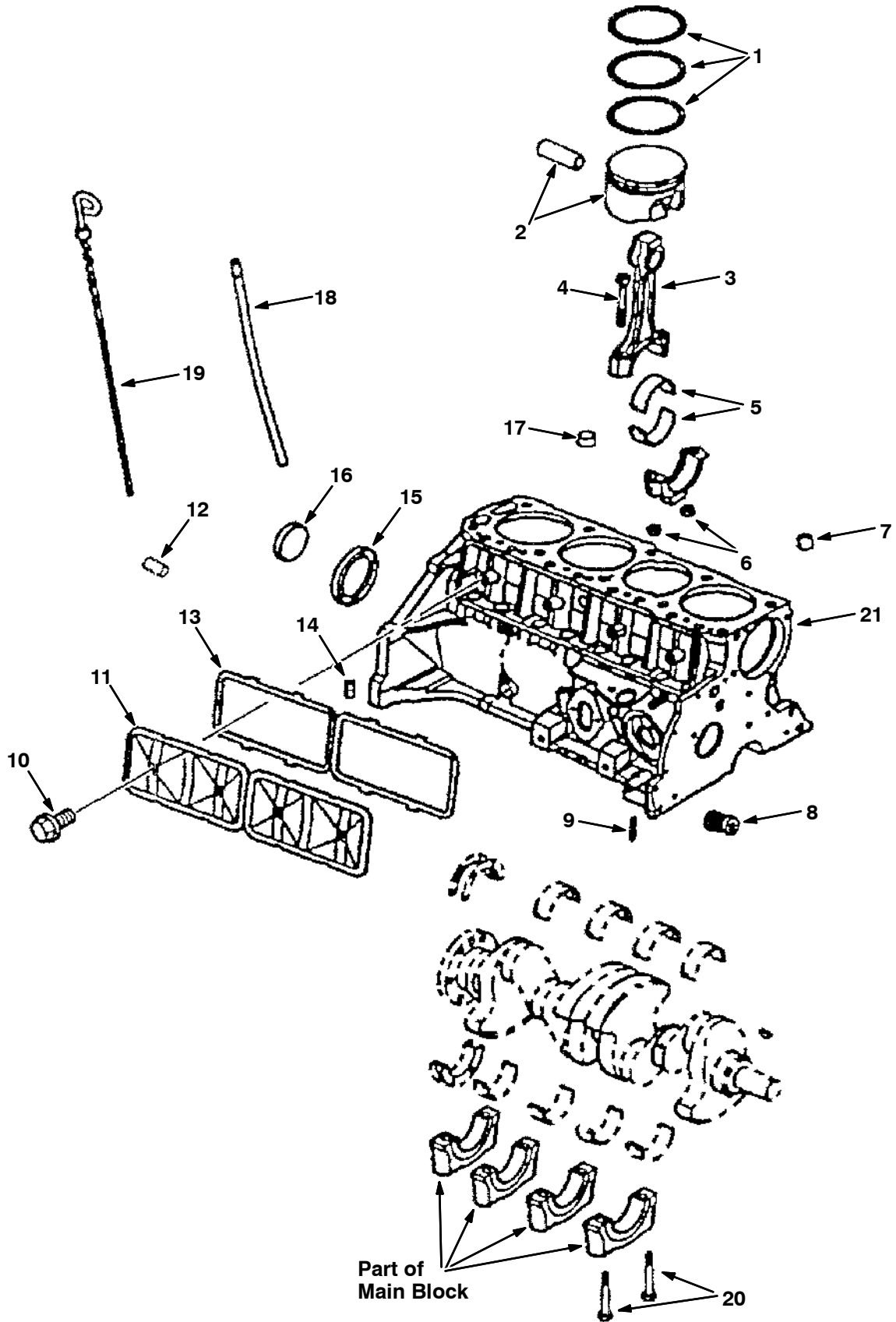
Fig. 2 - Distributor and Ignition Group



**Fig. 2 - Distributor and Ignition Group**

	<b>Ref.</b>	<b>Part No.</b>	<b>Description</b>	<b>Qty.</b>
▽	1	393939	Distributor	1
▲	2	393919	Bolt	2
▲	3	393920	Cap, Distributor	1
▲	4	393921	Rotor	1
▲	5	393922	Shaft	1
▲	6	393923	Retainer	1
▲	7	393924	Sealer	1
▲	8	393925	Housing	1
▲	9	393926	Pin	1
▲	10	393927	Module	1
▲	11	393928	Bolt	2
▲	12	393929	Pole Piece	1
▲	13	393930	Coil	1
▲	14	393931	Gear	1
▲	15	393932	Pin	1
	16	393940	Gasket	1
	17	393941	Washer	1
	18	393942	Clamp	1
	19	393943	Wire	1
	20	393898	Bolt	3
	21	393945	Bolt, (HFH3/8-16x062 280 POR)	2
	22	393946	Washer	2
	23	393947	Retainer	-
	24	393948	Coil	1
	25	393949	Wire	1
	26	393950	Spark Plug Wires	1
	27	393965	Bracket, Top	1
	28	393966	Bracket, Bottom	1
	29	393967	Bolt	-

Fig. 3 - Engine Block and Piston Group

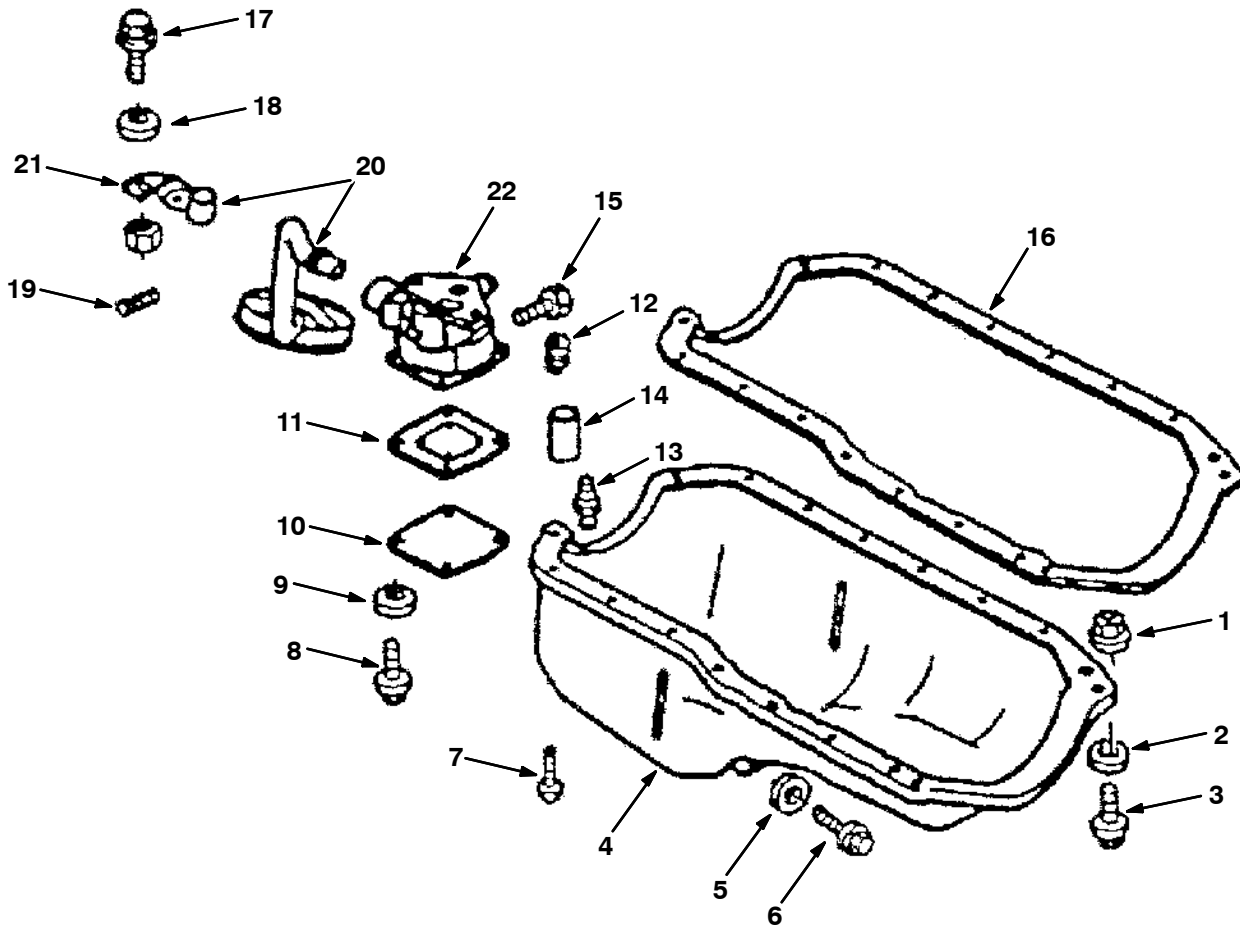




**Fig. 3 - Engine Block and Piston Group**

<b>Ref.</b>	<b>Part No.</b>	<b>Description</b>	<b>Qty.</b>
1	393806	Ring Kit, Std	4
1	393807	Ring Kit, .030" O.S.	4
2	393808	Piston, STD	4
2	393809	Piston, Hi-limit	4
2	393810	Piston, .020" O.S.	4
3	393811	Conn Rod	4
4	393812	Bolt	8
5	393813	Bearing Kit, Std	4
5	393814	Bearing Kit, .001 U.S.	4
6	393815	Nut, Conn Rod	8
7	393816	Bearing Kit	1
8	393832	Valve	1
9	393833	Pin	8
10	393882	Bolt	4
11	393883	Cover	1
12	393884	Pin	2
13	393662	Sealer (RTV 3.35 OZ Tube)	-
13	393663	Sealer (RTV 5.0 OZ Tube)	-
14	393886	Plug, Oil, .38-18 X .42	1
15	393888	Plug, Main, Rear	1
16	393889	Plug, Core, Coolant	-
17	393890	Plug, Block, Eng	1
18	393891	Tube	1
19	372251	Dipstick	1
20	393872	Bolt	10
21	393887	Engine, Partial (Includes block, pistons, rods, crankshaft, bearings, rear seal gasket)	1

Fig. 4 - Oil Pump and Oil Pan Group



**Fig. 4 - Oil Pump and Oil Pan Group**

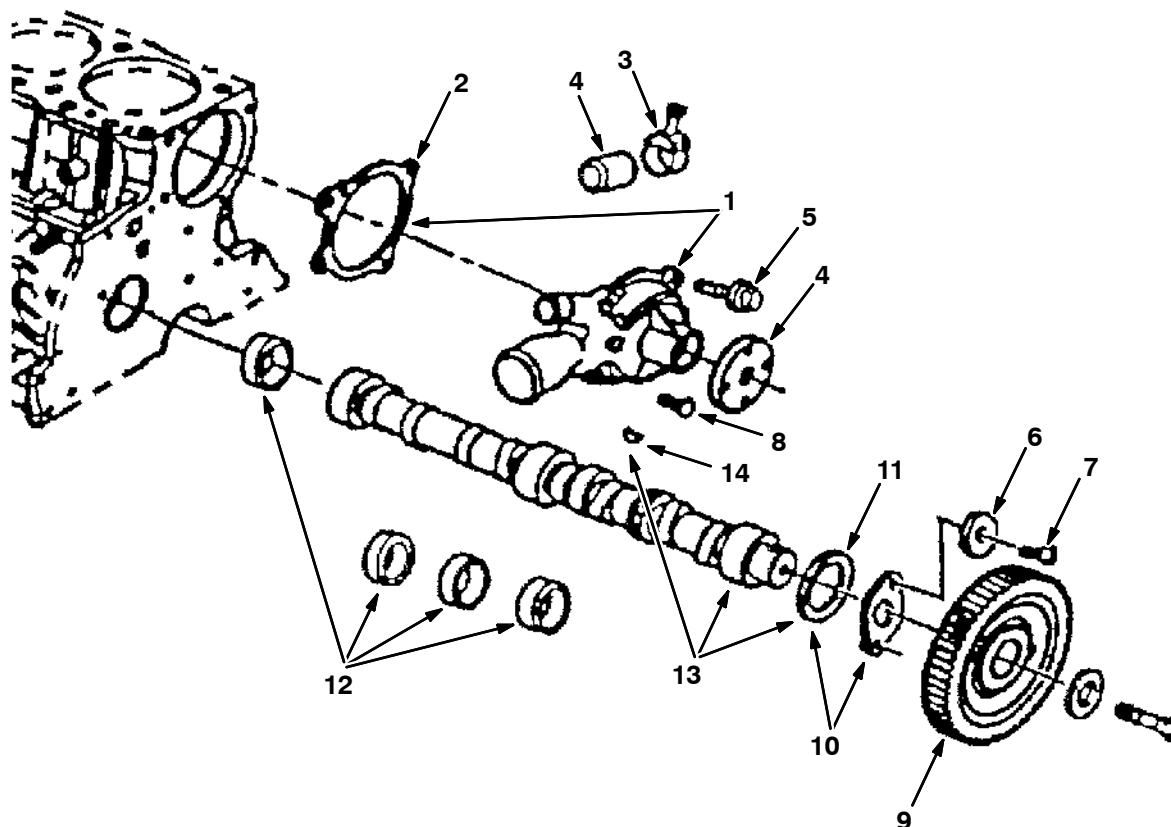
	<b>Ref.</b>	<b>Part No.</b>	<b>Description</b>	<b>Qty.</b>
	1	393848	Nut	-
	2	393849	Washer	-
	3	393850	Bolt	-
▽	4	393853	Oil Pan	1
▲	5	393852	Gasket	1
▲	6	393851	Plug	1
	7	393824	Bolt (1/4-20x1/2)	2
	7	393850	Bolt (1/4-20x.62)	2
	7	393854	Bolt (5/16-18x5/8)	12
	8	393855	Screw	4
	9	393849	Washer	4
	10	393856	Cover	1
	11	393857	Gasket	1
	12	393858	Spring	1
	13	393859	Plug	1
	14	393860	Valve	1
	15	393861	Bolt	3
	16	393862	Gasket	1
	17	393867	Bolt	-
	18	393868	Washer	-
	19	393869	Pin	1
	20	393871	Screen, w/Tube	1
▽	20	393870	Screen, w/Suction Pipe	1
▲	21	393865	Bracket	1
	22	393863	Pump	1



**Fig. 5 - Crankshaft Group**

<b>Ref.</b>	<b>Part No.</b>	<b>Description</b>	<b>Qty.</b>
	1 393837	Bearing Kit, Std #1, 2, 3, 4	4
	1 393838	Bearing Kit, .001" #1, 2, 3, 4	4
	1 393839	Bearing Kit, .010" #1, 2, 3, 4	1
	1 393840	Bearing Kit, .020" #1, 2, 3, 4	1
	1 393841	Bearing Kit, .030" #1, 2, 3, 4	1
	1 393836	Bearing Kit, Std #5	4
	1 393834	Bearing Kit, .001" #5	4
	1 393835	Bearing Kit, .025" #5	4
	2 393826	Key	1
	3 393842	Seal	1
	4 393843	Gear	1
	5 393844	Gasket	1
▽	6 393845	Cover	1
▲	7 393842	Seal	1
	8 393846	Balancer	1
	9 393847	Washer	6
	10 393824	Bolt	8
	11 393864	Nozzle	1
	12 393866	Crankshaft	1
	13 393873	Pin	1
▽	14 393874	Housing	1
▲	15 393880	Seal	1
	16 393876	Bolt	-
	17 393877	Gasket	1
	18 393878	Stud	1
	19 393879	Stud	2
	20 393875	Bolt	-
	21 393881	Gear	1

**Fig. 6 - Camshaft and Water Pump Group**



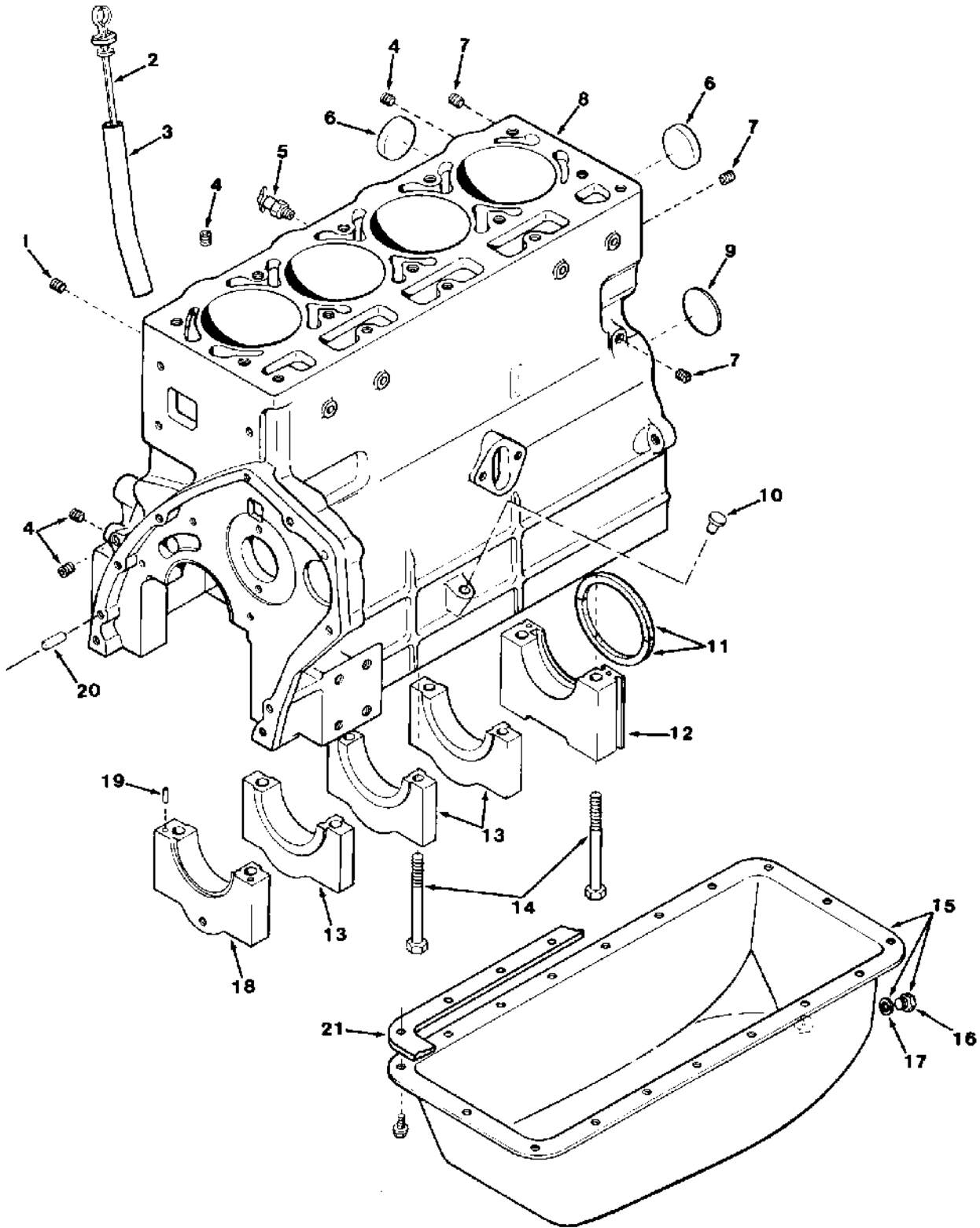
G, LP

	Ref.	Part No.	Description	Qty.
▽	1	393820	Water Pump	1
▲	2	393817	Gasket	1
	4	393818	Cap	1
	3	393819	Clamp	1
	5	393821	Bolt	1
	6	393822	Washer	1
	7	393823	Bolt (1/4-20x1/12 Hex)	1
	7	393824	Bolt (1/4-20x1/12)	3
	8	393825	Bolt (5/16-18x1.5 Hex)	2
	9	393827	Gear	1
▽	10	393828	Plate Kit	1
▲	11	393829	Ring	3
	12	393830	Bearing Kit	1
▽	13	393831	Camshaft	2
▲	14	393826	Key	1

## SECTION 13

<b>Contents</b>	<b>Page</b>
Fig. 1 - Engine Block Group .....	13-2
Fig. 2 - Fuel System Group .....	13-4
Fig. 3 - Cylinder Head Group .....	13-6
Fig. 4 - Camshaft Group .....	13-8
Fig. 5 - Crankshaft Group .....	13-9
Fig. 6 - Piston Group .....	13-10
Fig. 7 - Oil Pump Group .....	13-11
Fig. 8 - Gear Cover Group .....	13-12
Fig. 9 - Flywheel and Starter Group .....	13-13
Fig. 10 - Intake and Exhaust Manifold Group .	13-14
Fig. 11 - Water Pump Group .....	13-15
Fig. 12 - Water Header and Thermostat Group	13-16
Fig. 13 - Alternator Brackets and PCV Group .	13-17
Fig. 14 - Oil Filter Group .....	13-18

Fig. 1 - Engine Block Group





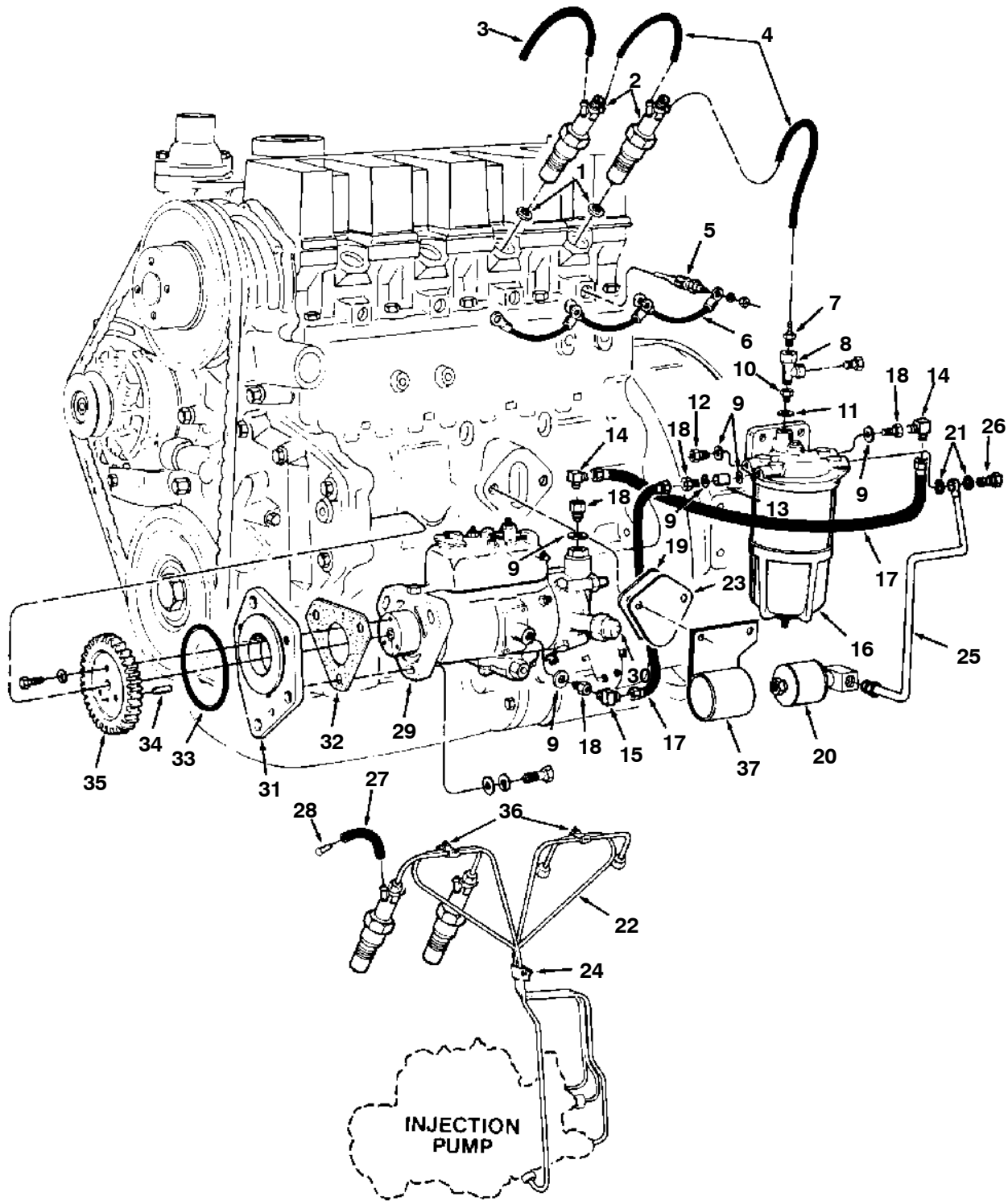
# 61697 CONTINENTAL ENGINE BREAKDOWN, DIESEL

09765 - 550, 1550, D

**Fig. 1 - Engine Block Group**

Ref.	Part No.	Description	Qty.
1	X00110	Plug	1
2	38404	Rod, Oil Gauge	1
3	52736	Tube, Oil Filler	1
4	393726	Plug	5
5	51305	Cock, Water Drain	1
6	78517	Plug, Cup	5
7	X26129	Plug	2
8	31943	Short Block Assembly, R, Includes: Block, Tappets, Camshaft, Crankshaft, Main Bearings, Bearing Caps, Pistons, Piston Pins, Piston Rings, Connecting Rods, Rod Bearings, Thrust Plate, Cam Gear, Gear, Oil Pump, Oil Gauge Support, and Gasket Set	1
8	31942	Short Block Assembly, S, Includes: R ShortBlock Assembly Plus - Head, Guides, Valves and Associated Parts, Rocker Arm Shaft Assembly, Pushrods, Head Cover, Gear Cover, Oil Pan, Oil Filler Cap, and Gasket Set	1
9	38413	Plug, Expansion	1
10	393680	Plug	1
11	38408	Seal, Oil	2
12	TMD27B00502	Cap And Filler Block, Rear Bearing	1
	38758	Gasket, Rear Bearing Cup	1
13	393683	Cap, Crankshaft Bearing	3
14	393684	Screw	10
15	393730	Pan Assembly, Oil	1
▽	15 61711	Pan Assembly, Oil	1
▲	16 38082	Plug, Drain	1
▲	17 388260	Washer, Drain Plug	1
18	393685	Cap, Crankshaft Bearing, Front	1
19	393732	Dowel, Bearing Cap, Front and Rear	4
20	393687	Pin, Dowel, Gear Cover to Crankcase	2
21	38758	Gasket, Oil Pan, Form-In-Place	1

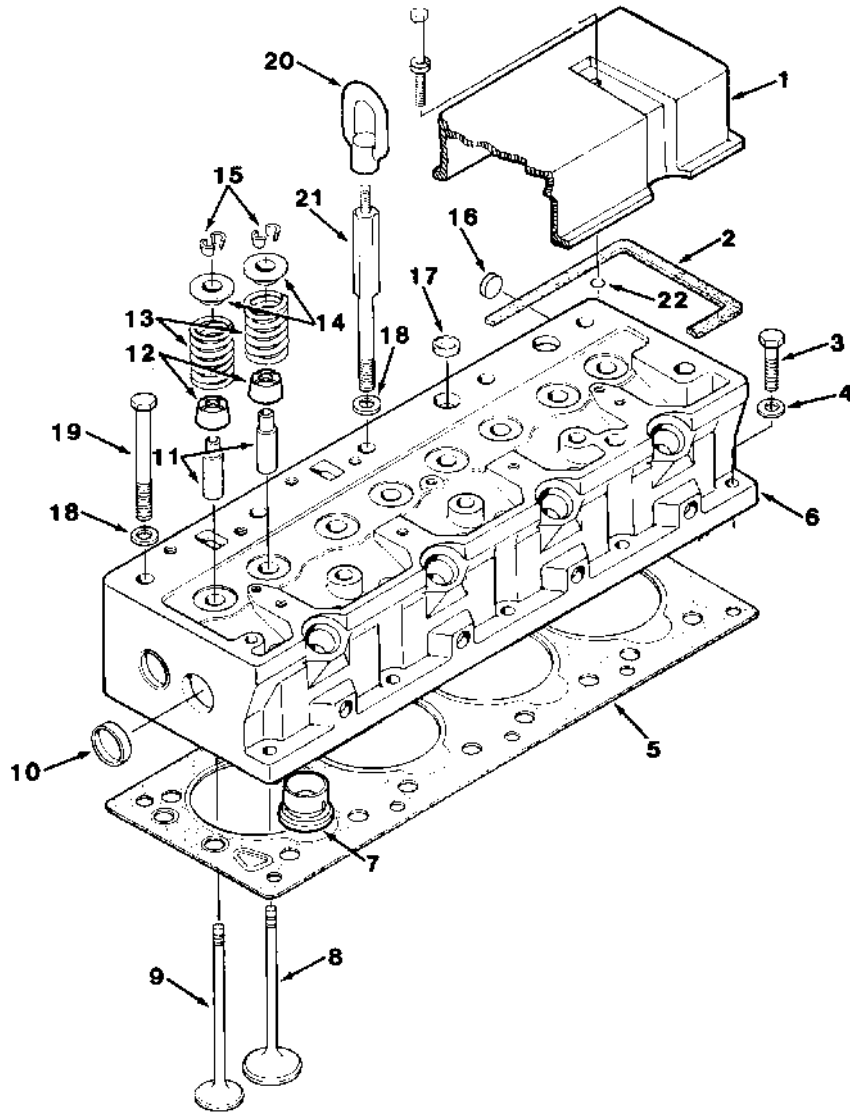
Fig. 2 - Fuel System Group



**Fig. 2 - Fuel System Group**

Ref.	Part No.	Description	Qty.	
	1	38393	Shield, Heat	4
▽	2	38389	Nozzle and Tip Assembly	4
▲		78520	Tip, Nozzle	4
	3	38411	Hose, Fuel	1
	4	XM38003054	Hose, Fuel	3
	5	38386	Plug, Glow	4
	6	61733	Wire, Glow Plug	3
	7	38419	Adapter	1
		TMD27F00305	Adapter (For Engine 16850)	1
	8	38417	Tee	1
	9	77896	Washer	6
	10	38412	Adapter	1
	11	X14134	Washer, Copper	1
	12	TMD27F00214	Plug	1
	13	42326	Valve, Check	1
	14	X12393	Adapter	1
	15	X12489	Elbow, #3 Inlet	2
▽	16	38388	Filter, Fuel And Water Separator	1
▲		52770-9	Element, Fuel Filter	1
	17	61743	Hose	2
		52841	Hose, Injection (For Engine 16850)	1
	18	388014	Adapter	5
	19	47680	Gasket, Fuel Pump	2
	20	16706	Pump, Fuel	1
	21	16712	Washer, Sealing	2
	22	38488	Vr, Tube Kit, Injector [4 Tubes]	1
	23	16707	Cover, Fuel Pump	1
	24	38384	Clamp, Injection Line	1
	25	16710	Tube Assembly	1
	26	16711	Fitting, Banjo	1
	27	42149	Hose, Fuel, #1 Leak-off End	1
	28	X26138	Plug	1
▽	29	38392	Pump, Fuel Injection (Replaced by none)	1
▲	30	16739	Solenoid, Fuel Shut-Off	1
	31	61748	Adapter	1
	32	38379	Gasket, Injection Pump	1
	33	38415	O-Ring	1
	34	393693	Pin	1
	35	393694	Gear, Injection Pump	1
	36	38385	Clamp, Injection Line	2
		52759	Clamp, Leak-Off Line	10
	37	47675	Bracket, Fuel Pump	1

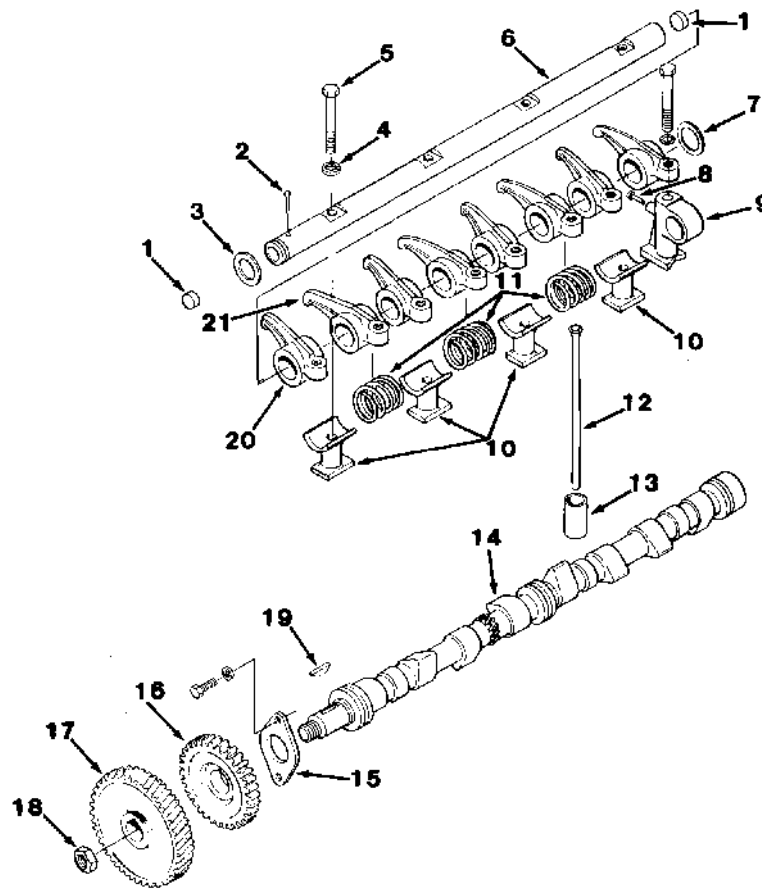
Fig. 3 - Cylinder Head Group



**Fig. 3 - Cylinder Head Group**

<b>Ref.</b>	<b>Part No.</b>	<b>Description</b>	<b>Qty.</b>	
1	TM27A0610	Cover, Cylinder Head	1	
2	34876	Gasket, Cover	1	
3	52886	Screw	5	
4	37942	Washer, Plain	5	
5	TMD27A00507	Gasket, Cylinder Head (For Engine 34910)	1	
5	TMD27A00205	Gasket, Cylinder Head (For Engine 16850)	1	
▽	6	52757	Head, Cylinder	1
▲	7	52756	Insert, Combustion Chamber (Replaced by None)	4
▲	8	42006	Valve, Intake	4
▲	9	42009	Valve, Exhaust	4
▲	10	61741	Plug, Cup	4
▲	11	16153	Guide, Valve Stem	8
▲	12	52760	Guard, Valve Stem Oil	8
▲	13	42116	Spring, Valve	8
▲	14	370725	Retainer, Valve Spring	8
▲	15	393695	Lock, Valve Spring Retainer	16
▲	16	10100	Plug, Cup	4
▲	17	77880	Plug, Core	2
	18	52898	Washer, Flat	10
	19	388338	Screw	9
	20	393696	Eye, Lifting	1
	21	38923	Screw	1
	22	61725	O-Ring	3
		TMD27U01001	Gasket Set, Top (For Engine 34910)	1
		TMD27U01002	Gasket Set, Top (For Engine 16850)	1

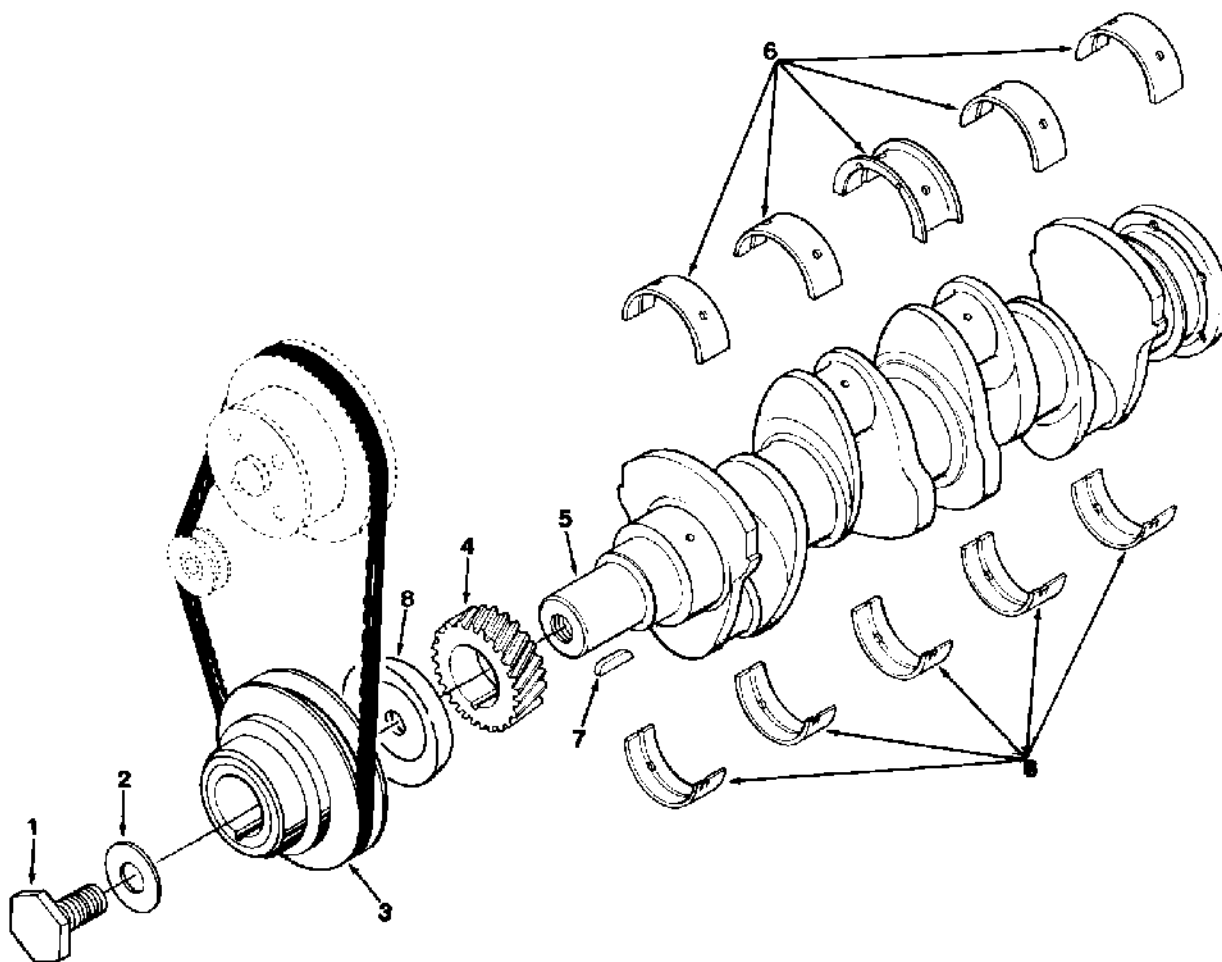
Fig. 4 - Camshaft Group



01622 - 550, 1550, D

Ref.	Part No.	Description	Qty.
1	X02544	Plug, Shaft Ends	2
2	393699	Pin, Cotter	2
3	393700	Washer, Rocker Arm Shaft	2
4	393701	Washer, Flat	4
5	388080	Screw	4
6	393734	Shaft, Rocker Arm	1
7	TM27I00306	Washer, Wavy	1
8	393736	Pin, Rear Support Top	1
9		Support, Rocker Arm Shaft, Rear (NOT AVAILABLE)	1
10	393702	Support, Rocker Arm Shaft	4
	TM27I00313	Spring, Rocker Shaft Ends (For Engine 16850)	1
11	393703	Spring, Rocker Arm Shaft	3
12	370726	Rod, Push	8
13	52725	Tappet, Valve	8
14	42330	Camshaft	1
15	38753	Plate, Camshaft Thrust	1
16	42328	Gear, Injection Pump Driver	1
17	TMD27H00503	Gear, Camshaft	1
18	52859	Nut	1
19	42337	Key	1
20	TM27I05130	Arm Assembly, Rocker, Exhaust	4
21	TM27I05120	Arm Assembly, Rocker, Intake	4

Fig. 5 - Crankshaft Group



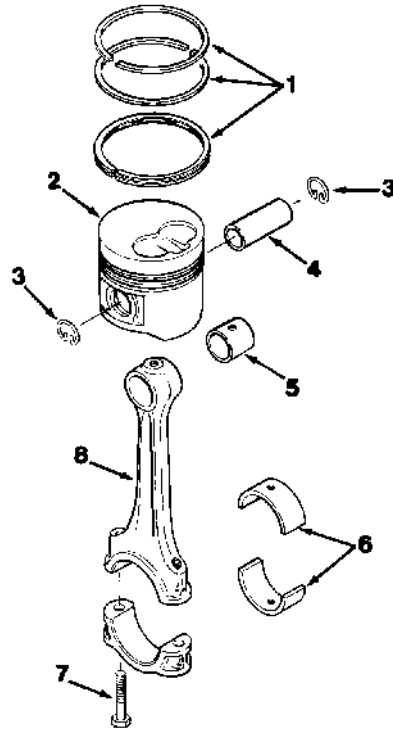
09767 - 550, 1550, D

Ref.	Part No.	Description	Qty.
1	388224	Screw	1
2	393705	Washer, Plain	1
3	38449	① Pulley, Crankshaft	1
3	61736	② Pulley, Crankshaft	1
4	370840	Gear, Crankshaft	1
5	42148	Crankshaft	1
6	12784	Bearing Kit, Main, Standard	1
6	52753	Bearing Kit, Main, 0.25 mm Undersize	1
6	21782	Bearing Kit, Main, 0.50 mm Undersize	1
6	61724	Bearing Kit, Main, 0.75 mm Undersize	1
6	393707	Bearing Kit, Main, 1.00 mm Undersize	1
7	61762	Key (Replaced by None)	1
8	61775	Slinger, Oil (Replaced by None)	1

① Teledyne Continental Engine Serial Number (000000-302297)

② Teledyne Continental Engine Serial Number (302298- )

Fig. 6 - Piston Group

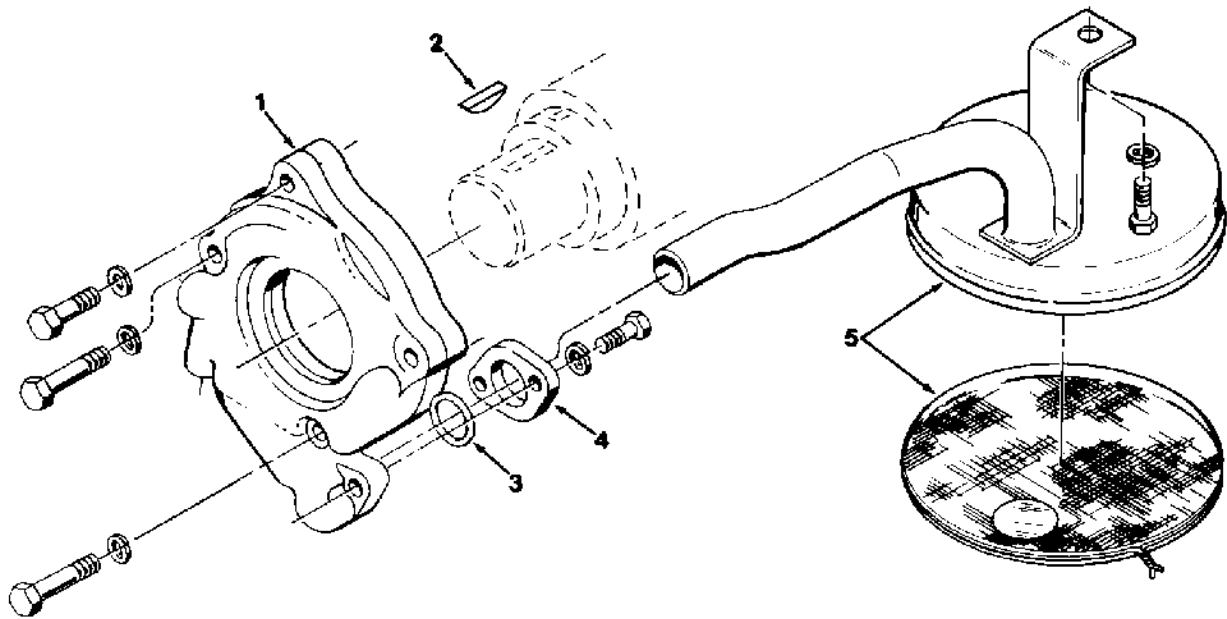


09768 - 550, 1550, D

Ref.	Part No.	Description	Qty.	
1	38836	Ring Kit, Re-Ring, Standard	4	
1	393708	Ring Kit, Re-Ring, 0.50 mm Oversize	4	
1	393709	Ring Kit, Re-Ring, 0.75 mm Oversize	4	
1	393710	Ring Kit, Re-Ring, 1.00 mm Oversize	4	
2	38839	Piston Assembly, Standard	4	
2	38842	Piston Assembly, 0.50 mm Oversize	4	
2	393711	Piston Assembly, 0.75 mm Oversize	4	
▽	2	393712	Piston Assembly, 1.00 mm Oversize	4
▲	3	38572	Ring, Retaining, Piston Pin	2
▲	4	388139	Pin, Piston	1
5	52724	Bushing, Piston Pin	4	
6	38916	Bearing, Connecting Rod, Standard	4	
6	38787	Bearing, Connecting Rod, 0.25 mm Undersize	4	
6	38845	Bearing, Connecting Rod, 0.50 mm Undersize	4	
6	393713	Bearing, Connecting Rod, 0.75 mm Undersize	4	
6	38847	Bearing, Connecting Rod, 1.00 mm Undersize	4	
7	393714	Bolt, Connecting Rod	8	
8	38917	Rod Assembly, Connecting	4	



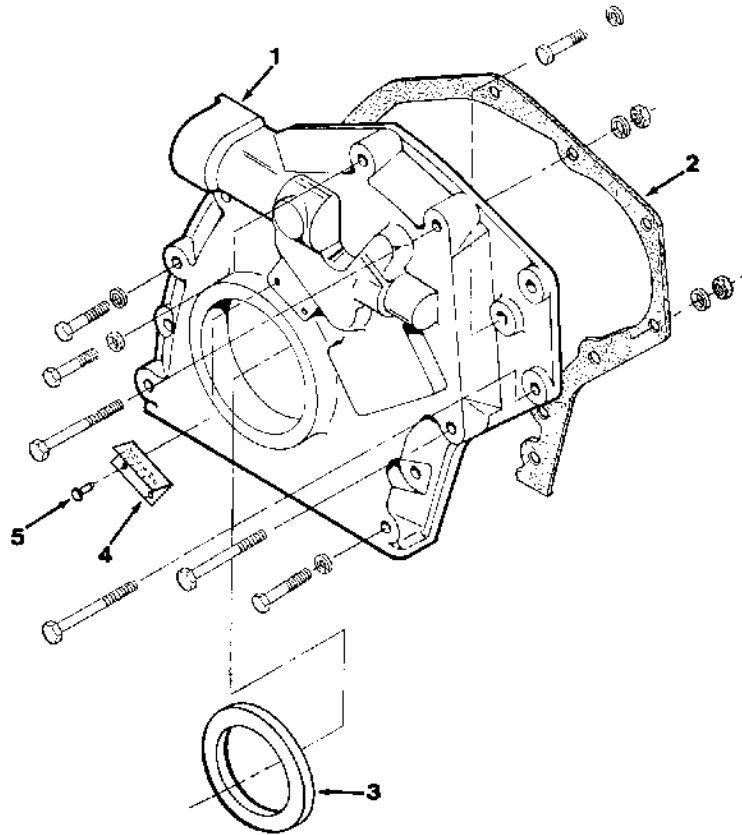
Fig. 7 - Oil Pump Group



01611 - 550, 1550, D

Ref.	Part No.	Description	Qty.
1	TM27L06020	Pump, Oil (For Engine 34910)	1
1	TM27L06030	Pump, Oil (For Engine 16850)	1
2	61749	Key, Woodruff	1
3	52764	O-Ring	1
4	393747	Adapter, Inlet Tube	1
5	393748	Tube Assembly, Oil Pump Inlet	1

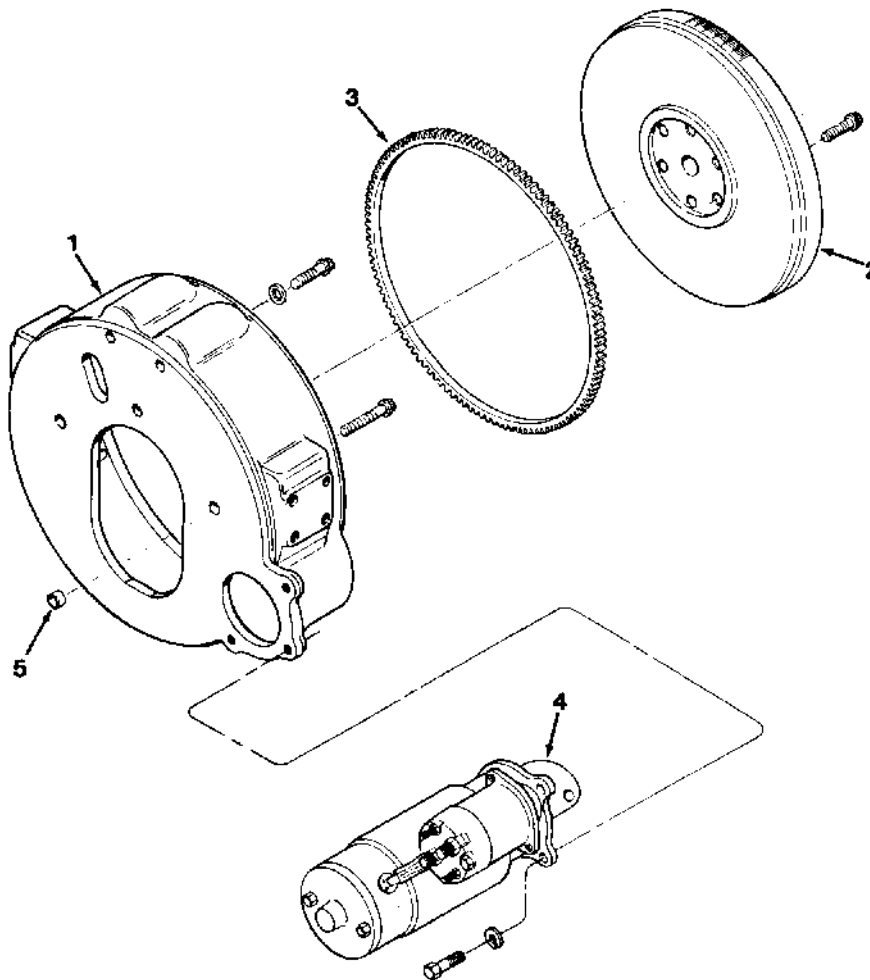
Fig. 8 - Gear Cover Group



09769 - 550, 1550, D

Ref.	Part No.	Description	Qty.
1	TMD27B05003	Cover, Gear	1
2	38381	Gasket, Gear Cover	1
3	X07823	Seal, Oil, Crankshaft (For Engine 34910)	1
3	38416	Seal, Oil, Crankshaft (For Engine 16850)	1
4	393717	Pointer, Engine Timing	1
5	393718	Rivet, Timing Pointer to Gear Cover	2
	TMD27U02001	Gasket Set, Front	1

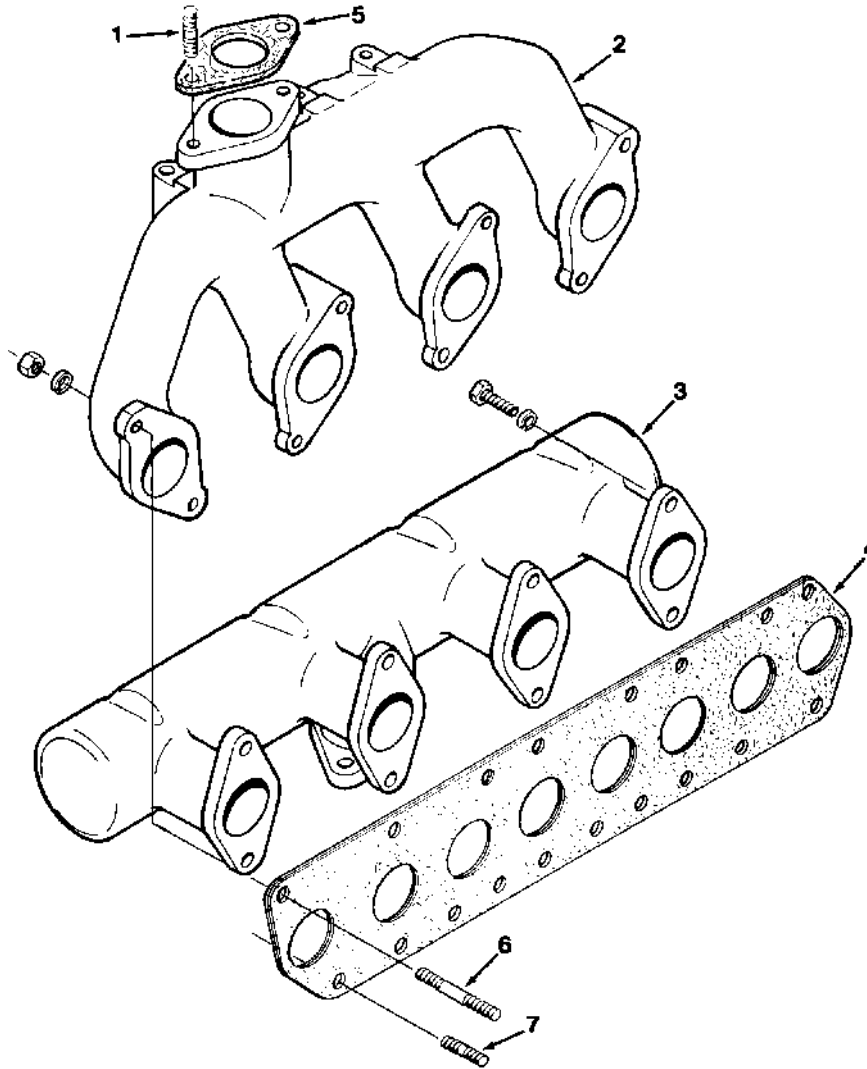
Fig. 9 - Flywheel and Starter Group



01625 - 550, 1550, D

Ref.	Part No.	Description	Qty.	
1	16143	Housing, Flywheel	1	
▽	16174	Flywheel (For Engine 34910)	1	
▲	16147	Ring Gear (For Engine 34910) (Replaced by None)	1	
▽	2	16851	Flywheel (For Engine 16850)	1
▲	3	16852	Ring Gear (For Engine 16850)	1
4	34547	Starter (For Engine 34910) (Replaced by None)	1	
4	16855	Starter (For Engine 16850)	1	
5	393720	Dowel, Ring	2	

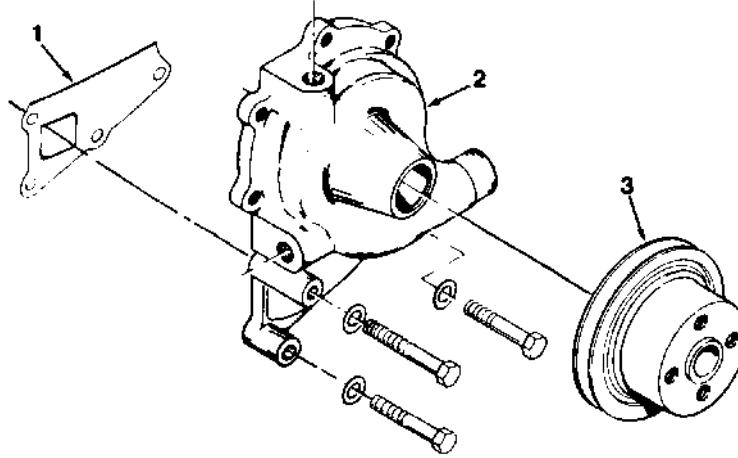
Fig. 10 - Intake and Exhaust Manifold Group



09770 - 550, 1550, D

Ref.	Part No.	Description	Qty.	
1	52887	Stud	2	
2	38420	Manifold, Exhaust	1	
3	38394	Manifold, Intake	1	
▽	34640	Gasket Set, Manifold	1	
▲	4	38843	Gasket, Manifold	1
▲	5	34796	Gasket, Manifold, Exhaust	1
6	52888	Stud	2	
7	38924	Stud	6	

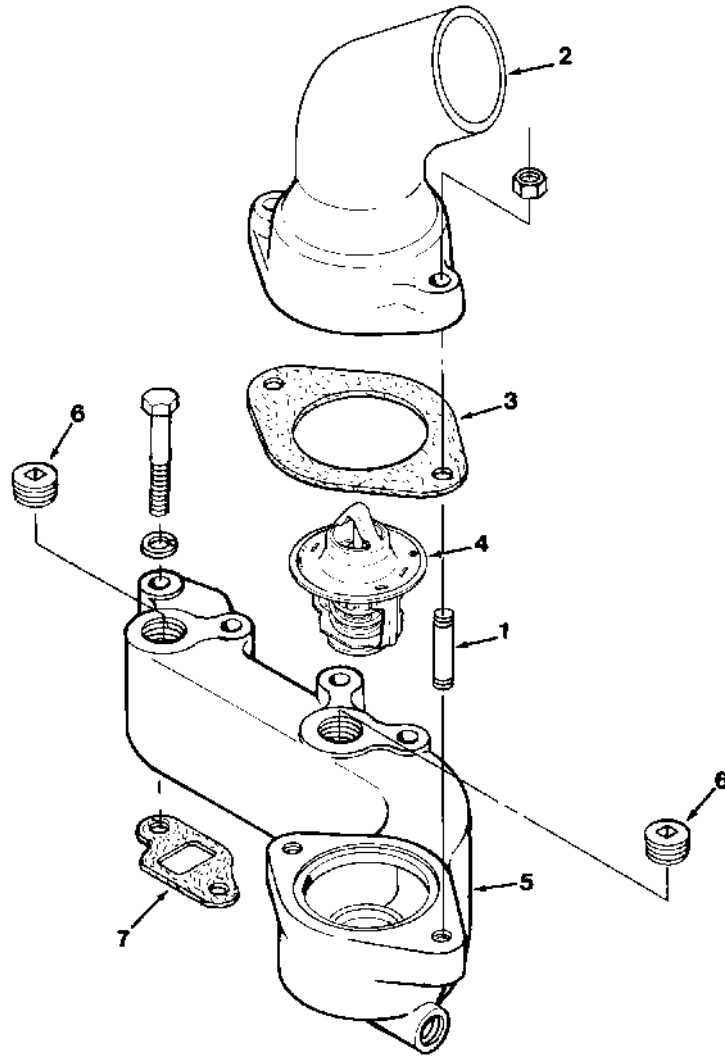
Fig. 11 - Water Pump Group



01615 - 550, 1550, D

Ref.	Part No.	Description	Qty.
▽	34429	Pump, Water [Cont]	1
▲	1 34873	Gasket, Water Pump to Crankcase	1
▲▽	2 34429	Pump, Water	1
▲▲	38788	Repair Kit, Water Pump	1
▲▲	3 38918	Pulley	1

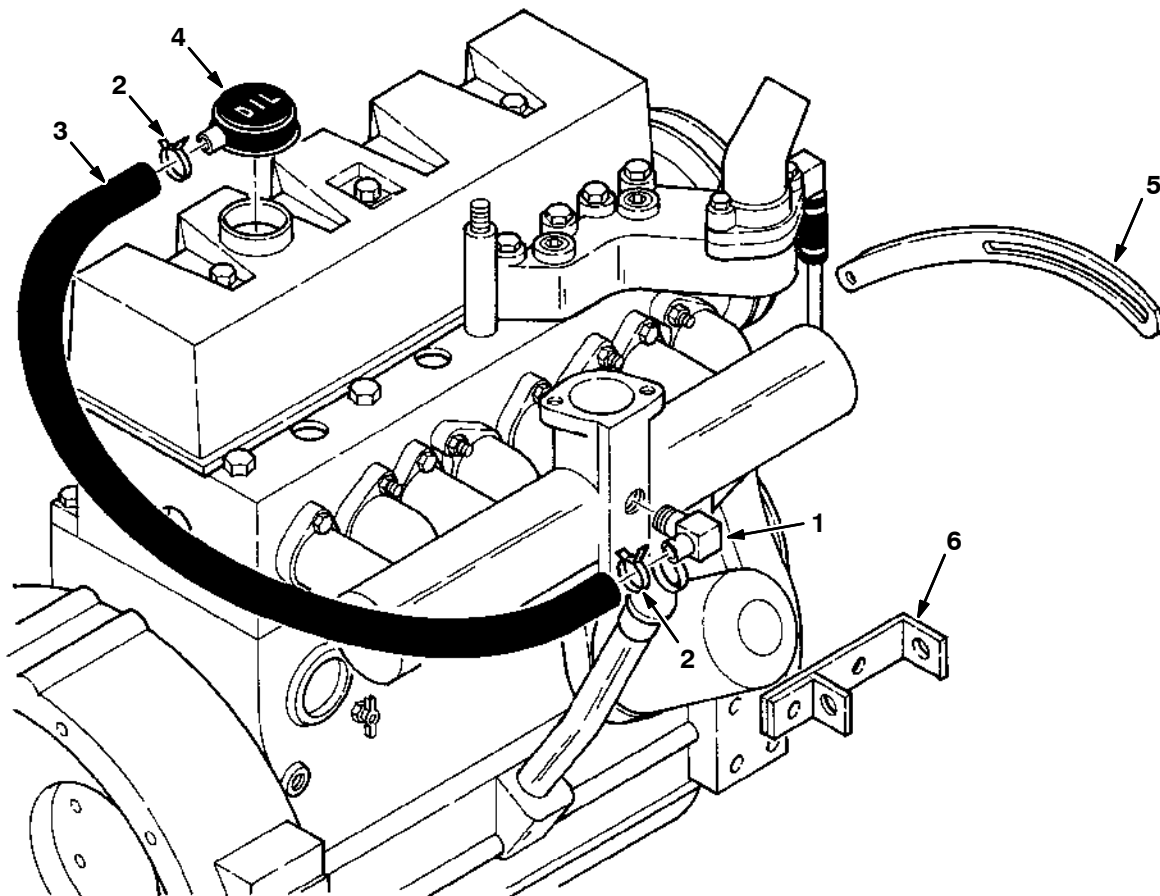
**Fig. 12 - Water Header and Thermostat Group**



09761 - 550, 1550, D

Ref.	Part No.	Description	Qty.	
1	393721	Stud	2	
2	38401	Elbow, Water Outlet	1	
▽	34752	Thermostat and Gasket	1	
▲	3	53988-12	Gasket, Elbow	1
▲	4	53988-13	Thermostat	1
5	393722	Header, Water Outlet	1	
6	X00101B	Plug	2	
7	TM27K00304	Gasket, Header	2	

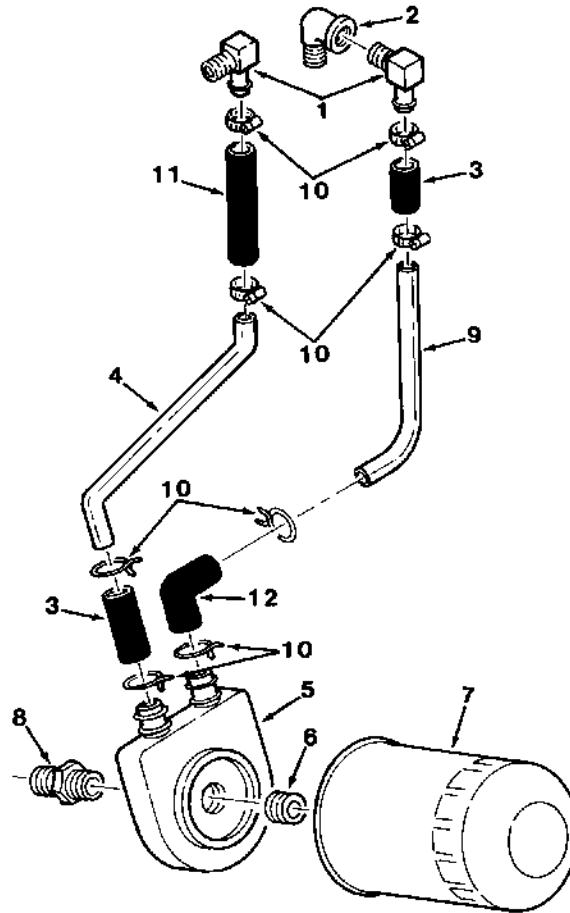
Fig. 13 - Alternator Brackets and PCV Group



09771 - 550, 1550, D

Ref.	Part No.	Description	Qty.
1	38418	Elbow, Intake Manifold (Replaced by None)	1
2	52766	Clamp, Hose	2
3	61776	Hose, Elbow to Filler Cap	1
4	38403	Cap, Oil Filler	1
5	30036	Strap, Alternator	1
6	393754	Bracket, Alternator	1

Fig. 14 - Oil Filter Group



09772 - 550, 1550, D

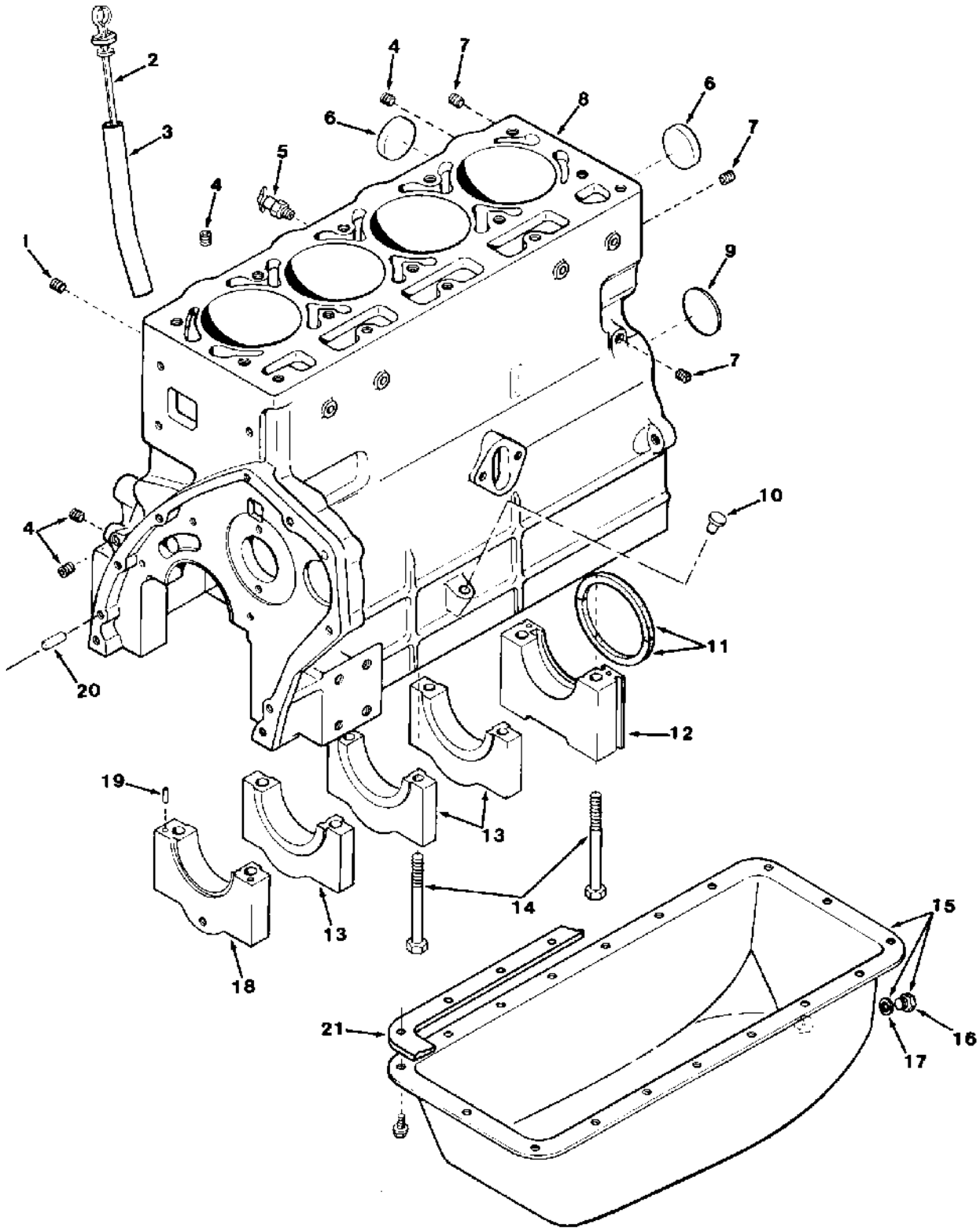
Ref.	Part No.	Description	Qty.
1	47388	Elbow, Water Header	2
2	393724	Elbow, Water Pump	1
3	38856	Hose, Oil Cooler	2
4	38409	Tube, Oil Cooler	1
5	38405	Cooler, Oil	1
6	38402	Adapter, Oil Filter	1
7	39703-2	Element, Oil Filter (For Engine 34910)	1
7	16853	Element, Oil Filter (For Engine 16850)	1
8	77895	Connector, Oil Cooler	1
9	38406	Tube, Oil Cooler	1
10	52766	Clamp, Hose	8
11	38857	Hose, Oil Cooler	1
12	38919	Hose, Oil Cooler	1



## SECTION 14

<b>Contents</b>	<b>Page</b>
Fig. 1 - Engine Block Group .....	14-2
Fig. 2 - Fuel System Group .....	14-4
Fig. 3 - Cylinder Head Group .....	14-6
Fig. 4 - Camshaft Group .....	14-8
Fig. 5 - Crankshaft Group .....	14-9
Fig. 6 - Piston Group .....	14-10
Fig. 7 - Oil Pump Group .....	14-11
Fig. 8 - Gear Cover Group .....	14-12
Fig. 9 - Flywheel and Starter Group .....	14-13
Fig. 10 - Intake and Exhaust Manifold Group .	14-14
Fig. 11 - Water Pump Group .....	14-15
Fig. 12 - Water Header and Thermostat Group	14-16
Fig. 13 - Alternator Brackets and PCV Group .	14-17
Fig. 14 - Oil Filter Group .....	14-18

Fig. 1 - Engine Block Group



**Fig. 1 - Engine Block Group**

<b>Ref.</b>	<b>Part No.</b>	<b>Description</b>	<b>Qty.</b>
1	393677	Plug	1
2	38404	Rod, Oil Gauge	1
3	52736	Tube, Oil Filler	1
4	393678	Plug	5
5	51305	Cock, Water Drain	1
6	78517	Plug, Cup	5
7	393679	Plug	2
8	78518	Short Block Assembly, R, Includes: Block, Tappets, Camshaft, Crankshaft, Main Bearings, Bearing Caps, Pistons, Piston Pins, Piston Rings, Connecting Rods, Rod Bearings, Thrust Plate, Cam Gear, Gear, Oil Pump, Oil Gauge Support, and Gasket Set	1
8	78519	Short Block Assembly, S, Includes: R ShortBlock Assembly Plus - Head, Guides, Valves and Associated Parts, Rocker Arm Shaft Assembly, Push-rods, Head Cover, Gear Cover, Oil Pan, Oil Filler Cap, and Gasket Set	1
9	38413	Plug, Expansion	1
10	393680	Plug	1
11	38408	Seal, Oil	2
12	393716	Cap And Filler Block, Rear Bearing	1
	38758	Gasket, Rear Bearing Cup	1
13	393683	Cap, Crankshaft Bearing	3
14	393684	Screw	10
▽	15 61711	Pan Assembly, Oil	1
▲	16 38082	Plug, Drain	1
▲	17 388260	Washer, Drain Plug	1
18	393685	Cap, Crankshaft Bearing, Front	1
19	393686	Dowel, Bearing Cap, Front and Rear	4
20	393687	Pin, Dowel, Gear Cover to Crankcase	2
21	38758	Gasket, Oil Pan, Form-In-Place	1

Fig. 2 - Fuel System Group

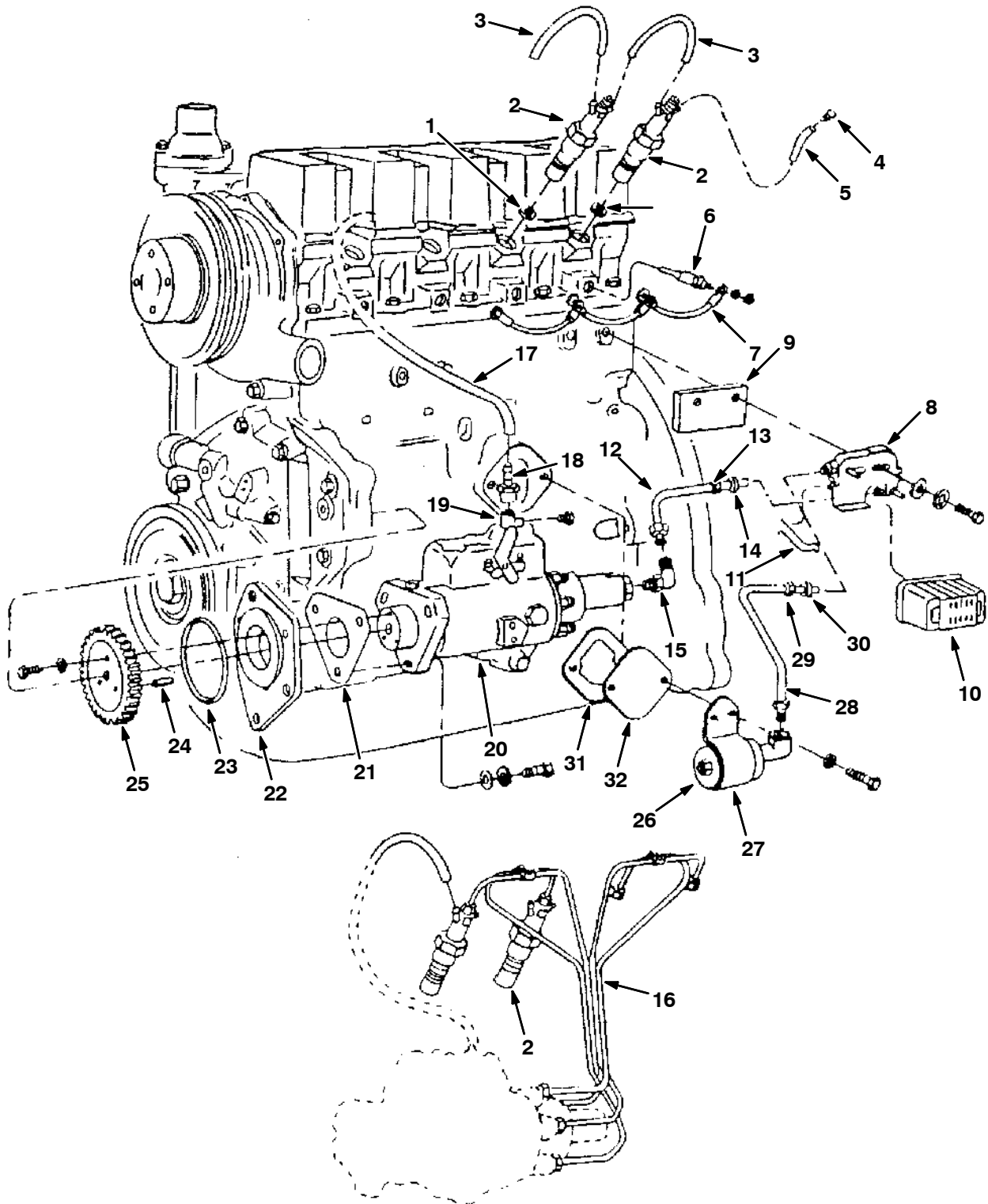
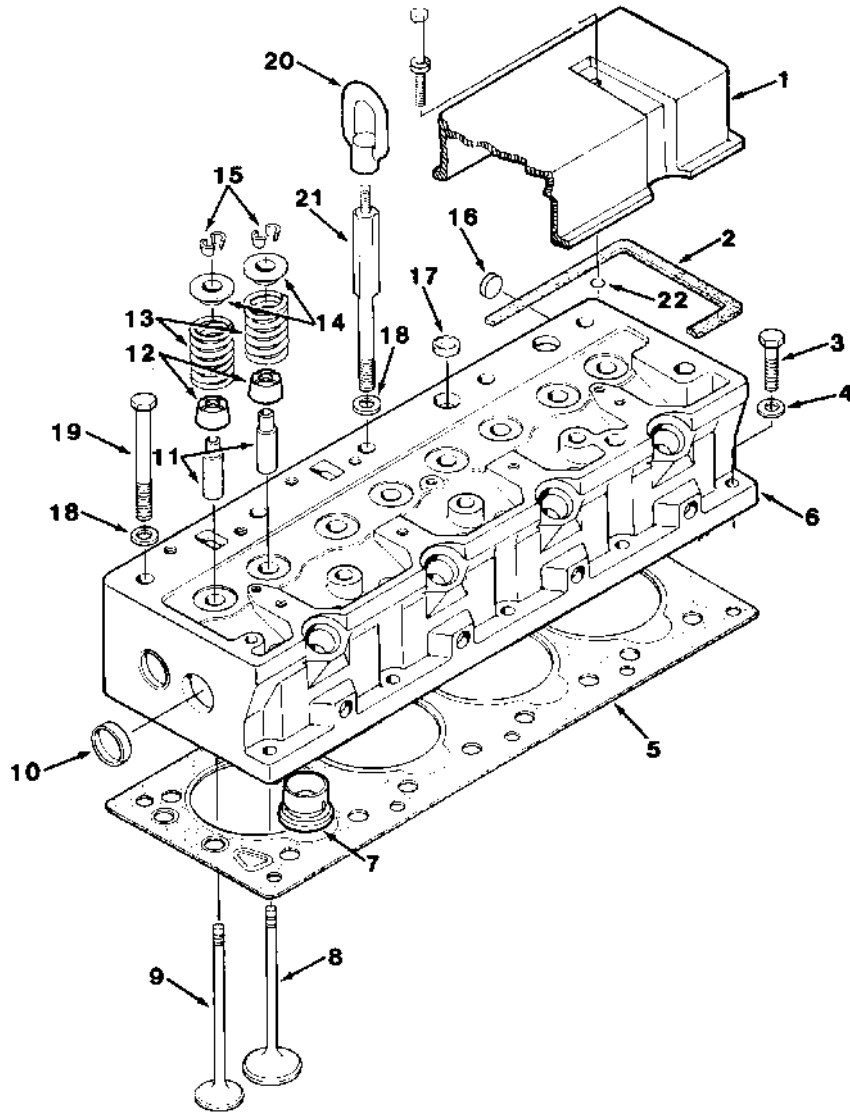


Fig. 2 - Fuel System Group

	Ref.	Part No.	Description	Qty.
	1	38393	Shield, Heat	4
▽	2	78520	Nozzle and Tip Assembly	4
▲		78521	Tip, Nozzle	4
	3	52899	Hose, Fuel	3
	4	61777	Plug, Hose	1
	5	42149	Hose, Fuel	4
	6	65966	Plug, Glow	4
	7	61733	Wire, Glow Plug	3
	8	78522	Base, Fuel Filter	1
	9	78523	Adapter, Fuel Filter	1
	10	78524	Element, Fuel Filter	1
	11	393688	Clamp, Fuel Filter	2
▽	12	78525	Tube Assembly	1
▲	13	393689	Nut, Tube Assembly	1
▲	14	393690	Sleeve, Tube Assembly	1
	15	393691	Elbow, Fuel Injection Pump	1
	16	78526	Tube Set, Fuel Injection	1
	17	78527	Hose, Fuel	1
	18	393692	Adapter	1
	19	38417	Tee	1
	20	65965	Pump, Fuel Injection	1
	21	38379	Gasket, Injection Pump	1
	22	61748	Adapter, Injection Pump	1
	23	38415	O-Ring, Injection Pump	1
	24	393693	Pin, Injection Pump	1
	25	393694	Gear, Injection Pump	1
	26	16706	Pump, Fuel	1
	27	78528	Clamp, Fuel Pump	1
▽	28	78529	Tube Assembly	1
▲	29	393689	Nut, Tube Assembly	1
▲	30	393690	Sleeve, Tube Assembly	1
	31	47680	Gasket, Fuel Pump	1
	32	47675	Cover, Fuel Pump	1

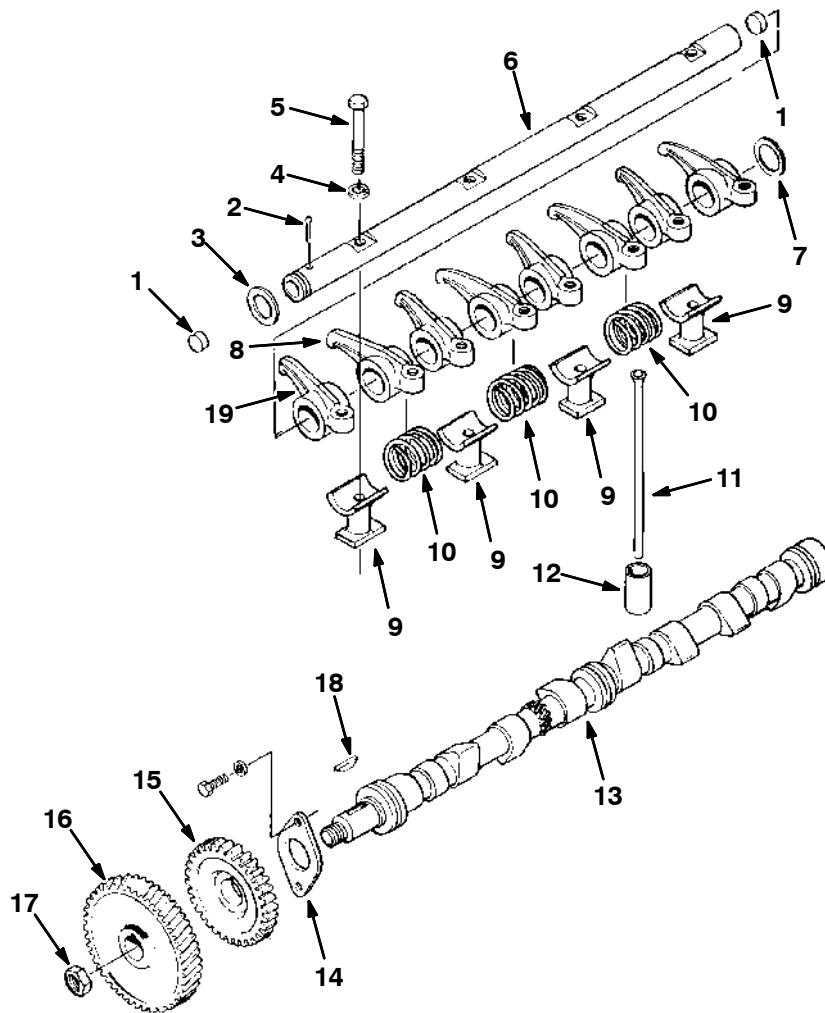
Fig. 3 - Cylinder Head Group



**Fig. 3 - Cylinder Head Group**

<b>Ref.</b>	<b>Part No.</b>	<b>Description</b>	<b>Qty.</b>	
1	38397	Cover, Cylinder Head	1	
2	34876	Gasket, Cover	1	
3	52886	Screw	5	
4	37942	Washer	5	
5	38665	Gasket, Cylinder Head	1	
▽	6	52757	Head, Cylinder	1
▲	7	52756	Insert, Combustion Chamber (Replaced by None)	4
▲	8	42006	Valve, Intake	4
▲	9	42009	Valve, Exhaust	4
▲	10	61741	Plug, Cup	4
▲	11	16153	Guide, Valve Stem	8
▲	12	52760	Guard, Valve Stem Oil	8
▲	13	42116	Spring, Valve	8
▲	14	370725	Retainer, Valve Spring	8
▲	15	393695	Lock, Valve Spring Retainer	16
▲	16	10100	Plug, Cup	4
▲	17	77880	Plug, Core	2
	18	52898	Washer, Flat	9
	19	31940	Screw	10
	20	393696	Eye, Lifting	1
	21	38923	Screw	1
	22	61725	O-Ring	3
		38774	Gasket Set, Top	1

Fig. 4 - Camshaft Group

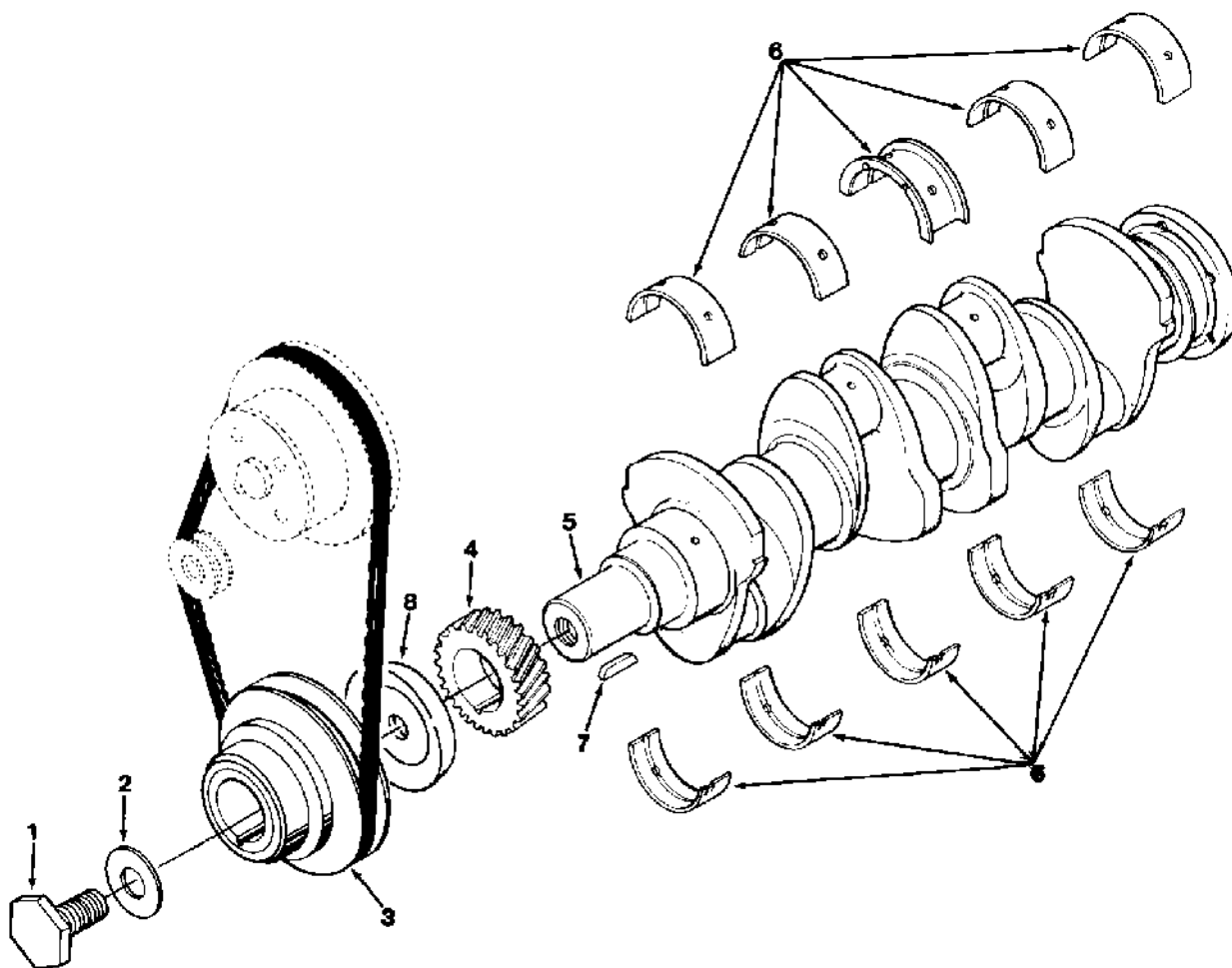


09408 - 550, 1550, D

Ref.	Part No.	Description	Qty.
1	393698	Plug, Shaft Ends	2
2	393699	Pin, Cotter	2
3	393700	Washer, Rocker Arm Shaft	2
4	393701	Washer, Flat	4
5	388080	Screw	4
6	393734	Shaft, Rocker Arm	1
7	393700	Washer, Plain	1
8	52734	Arm Assembly, Rocker, Intake	4
9	393702	Support, Rocker Arm Shaft	4
10	393703	Spring, Rocker Arm Shaft	3
11	370726	Rod, Push	8
12	52725	Tappet, Valve	8
13	42330	Camshaft	1
14	38753	Plate, Camshaft Thrust	1
15	42328	Gear, Injection Pump Driver	1
16	370700	Gear, Camshaft	1
17	52859	Nut	1
18	42337	Key	1
19	52730	Arm Assembly, Rocker, Exhaust	4



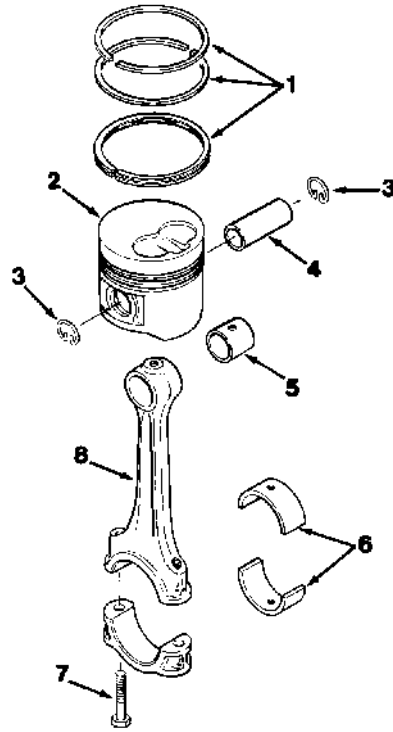
Fig. 5 - Crankshaft Group



09767 - 550, 1550, D

Ref.	Part No.	Description	Qty.
1	388224	Screw	1
2	393705	Washer, Plain	1
3	61736	Pulley, Crankshaft	1
4	393706	Gear, Crankshaft	1
5	42148	Crankshaft	1
6	12784	Bearing Kit, Main, Standard	1
6	52753	Bearing Kit, Main, 0.25 mm Undersize	1
6	21782	Bearing Kit, Main, 0.50 mm Undersize	1
6	61724	Bearing Kit, Main, 0.75 mm Undersize	1
6	393707	Bearing Kit, Main, 1.00 mm Undersize	1
7	61762	Key (Replaced by None)	1
8	61775	Slinger, Oil (Replaced by None)	1

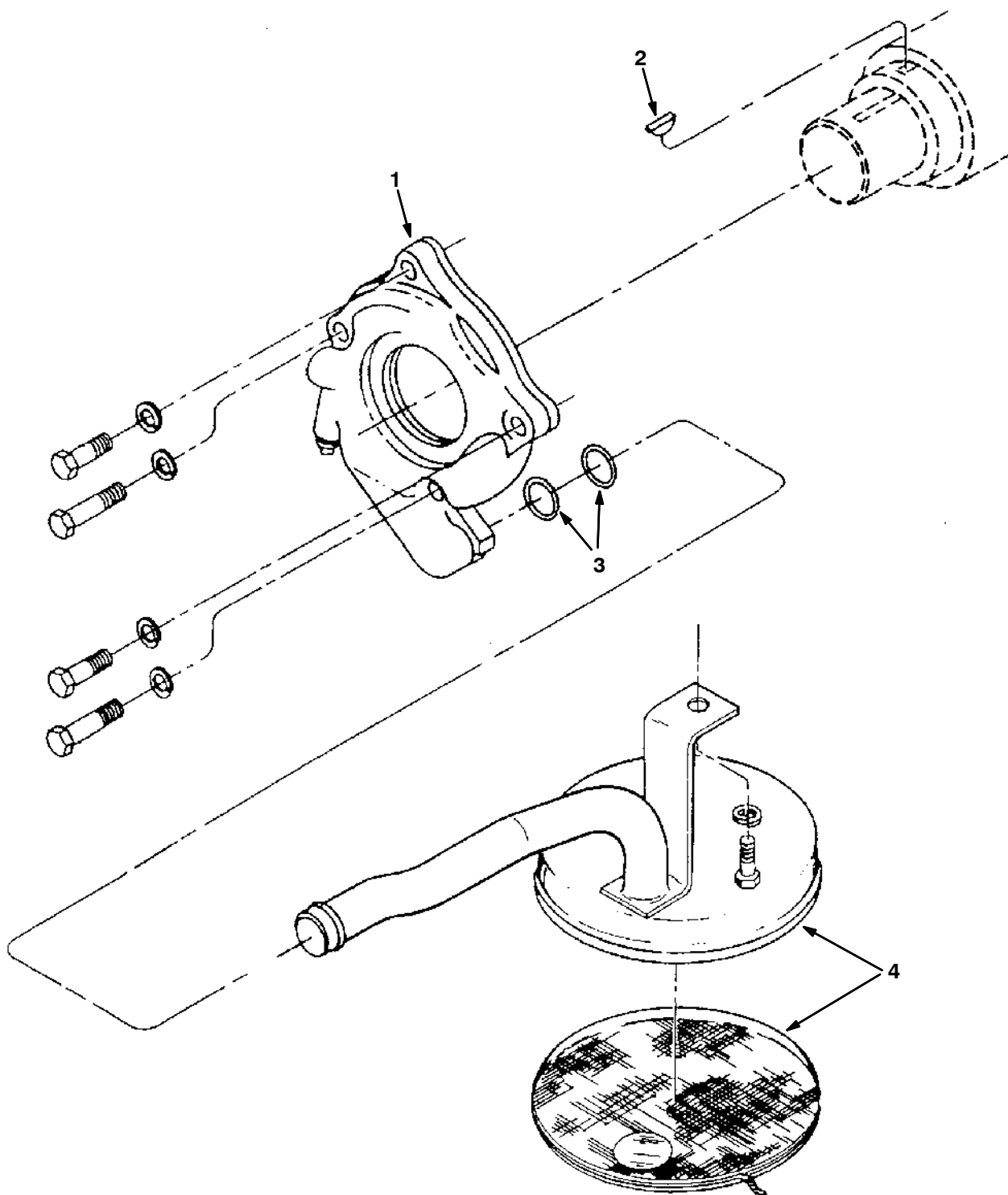
Fig. 6 - Piston Group



09768 - 550, 1550, D

Ref.	Part No.	Description	Qty.	
1	38836	Ring Kit, Re-Ring, Standard	4	
1	393708	Ring Kit, Re-Ring, 0.50 mm Oversize	4	
1	393709	Ring Kit, Re-Ring, 0.75 mm Oversize	4	
1	393710	Ring Kit, Re-Ring, 1.00 mm Oversize	4	
2	38839	Piston Assembly, Standard	4	
2	38842	Piston Assembly, 0.50 mm Oversize	4	
2	393711	Piston Assembly, 0.75 mm Oversize	4	
▽	2	393712	Piston Assembly, 1.00 mm Oversize	4
▲	3	38572	Ring, Retaining, Piston Pin	2
▲	4	388139	Pin, Piston	1
5	52724	Bushing, Piston Pin	4	
6	38916	Bearing, Connecting Rod, Standard	4	
6	38787	Bearing, Connecting Rod, 0.25 mm Undersize	4	
6	38845	Bearing, Connecting Rod, 0.50 mm Undersize	4	
6	393713	Bearing, Connecting Rod, 0.75 mm Undersize	4	
6	38847	Bearing, Connecting Rod, 1.00 mm Undersize	4	
7	393714	Bolt, Connecting Rod	8	
8	38917	Rod Assembly, Connecting	4	

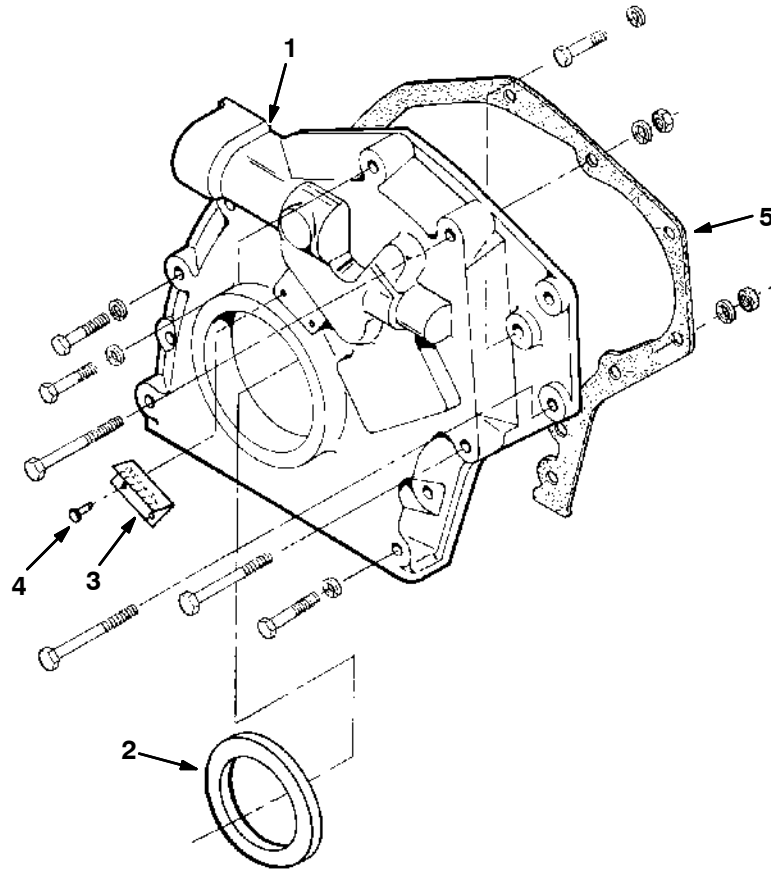
Fig. 7 - Oil Pump Group



09756 - 550, 1550, D

Ref.	Part No.	Description	Qty.
1	38920	Pump, Oil	1
2	61749	Key, Woodruff	1
3	52764	O-Ring	1
4	393715	Tube Assembly, Oil Pump Inlet	1

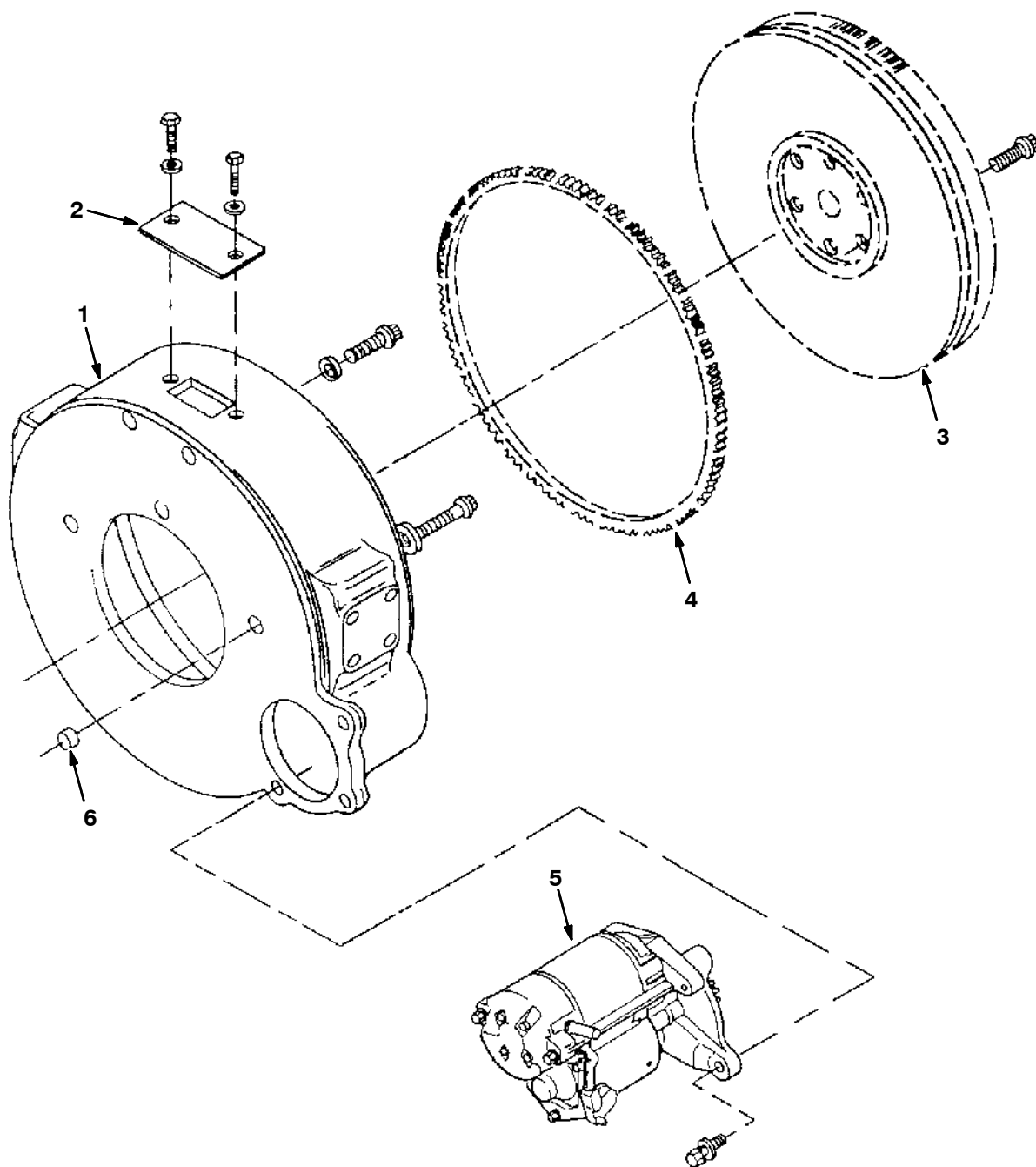
Fig. 8 - Gear Cover Group



09769 - 550, 1550, D

Ref.	Part No.	Description	Qty.	
▽	1	393716	Cover Assembly, Gear	1
▲	2	38416	Seal, Oil, Crankshaft	1
▲	3	393717	Pointer, Engine Timing	1
▲	4	393718	Rivet, Timing Pointer to Gear Cover	2
	5	38381	Gasket, Gear Cover	1
		38855	Gasket Set, Front	1

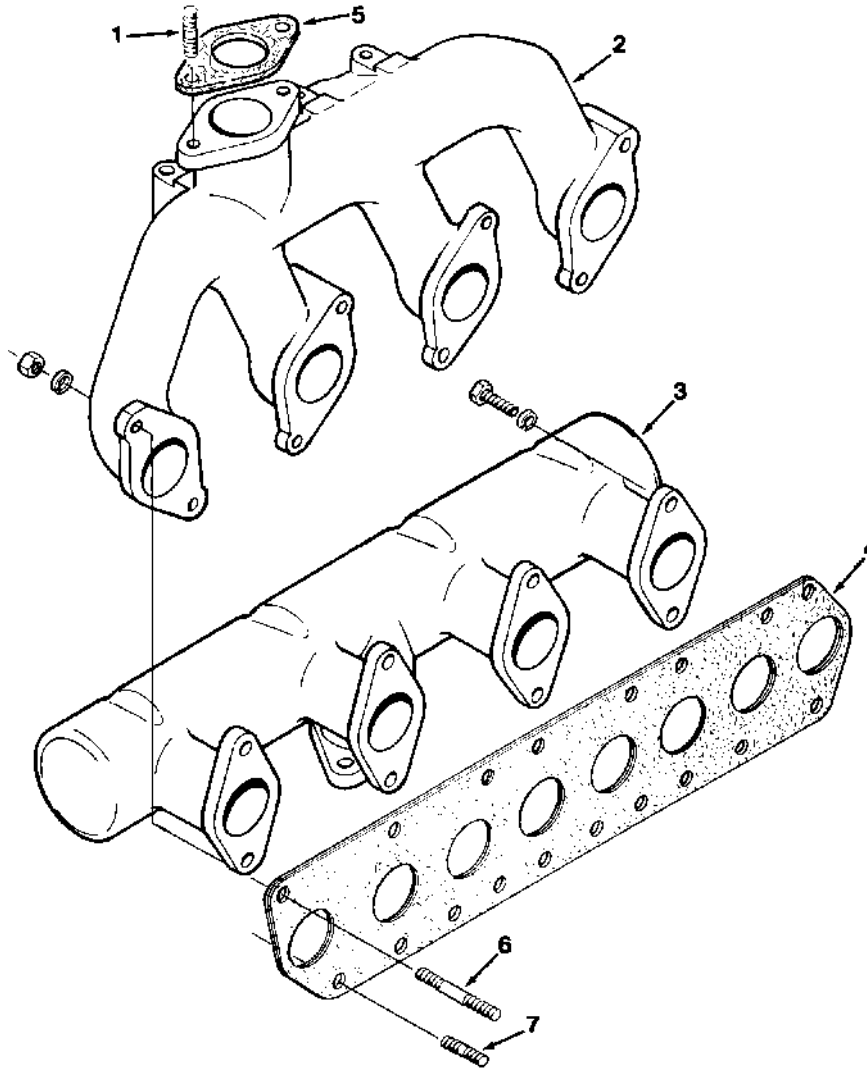
Fig. 9 - Flywheel and Starter Group



09758 - 550, 1550, D

Ref.	Part No.	Description	Qty.
▽	1 78531	Housing, Flywheel	1
▲	2 393719	Cover, Timing Hole	1
▽	3 16851	Flywheel	1
▲	4 16852	Ring Gear	1
	5 16855	Starter	1
	6 393720	Dowel, Ring	2

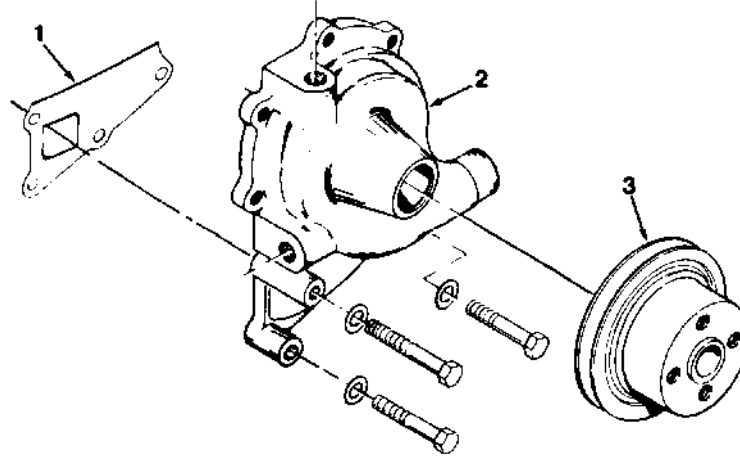
Fig. 10 - Intake and Exhaust Manifold Group



09770 - 550, 1550, D

Ref.	Part No.	Description	Qty.
	1	Stud	2
	2	Manifold, Exhaust	1
	3	Manifold, Intake	1
▽	34640	Gasket Set, Manifold	1
▲	4	Gasket, Manifold	1
▲	5	Gasket, Manifold, Exhaust	1
	6	Stud	2
	7	Stud	6

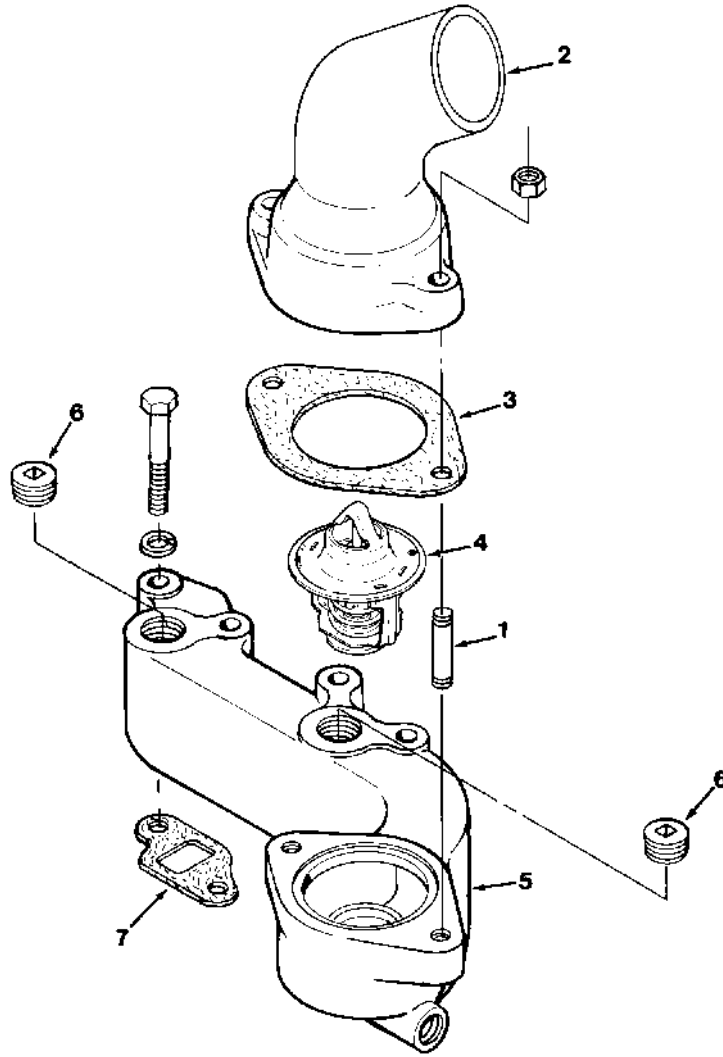
Fig. 11 - Water Pump Group



01615 - 550, 1550, D

Ref.	Part No.	Description	Qty.	
	1	34873	Gasket, Water Pump to Crankcase	1
▽	2	34429	Pump, Water	1
▲		38788	Repair Kit, Water Pump	1
▲	3	38918	Pulley	1

**Fig. 12 - Water Header and Thermostat Group**

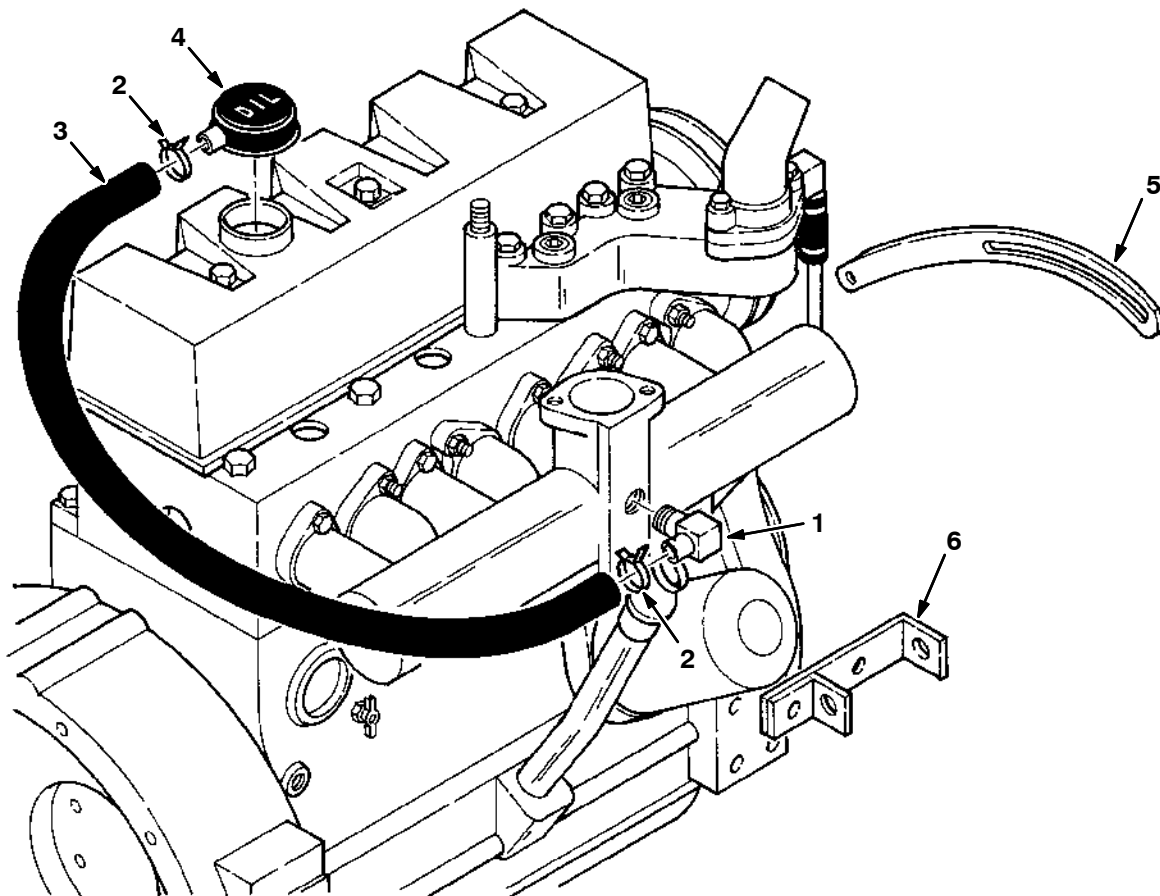


09761 - 550, 1550, D

Ref.	Part No.	Description	Qty.	
1	393721	Stud	2	
2	38401	Elbow, Water Outlet	1	
▽	34752	Thermostat and Gasket	1	
▲	3	53988-12	Gasket, Elbow	1
▲	4	53988-13	Thermostat	1
5	393722	Header, Water Outlet	1	
6	393723	Plug	2	
7	30035	Gasket, Header	2	



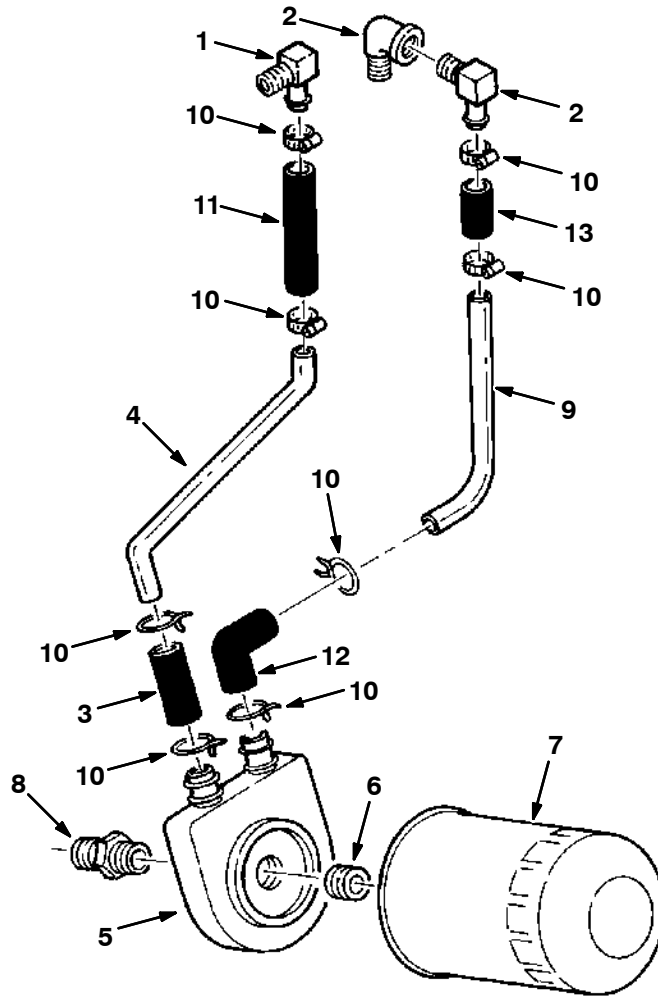
Fig. 13 - Alternator Brackets and PCV Group



09771 - 550, 1550, D

Ref.	Part No.	Description	Qty.
1	38418	Elbow, Intake Manifold (Replaced by None)	1
2	52766	Clamp, Hose	2
3	61776	Hose, Elbow to Filler Cap	1
4	38403	Cap, Oil Filler	1
5	30036	Strap, Alternator	1
6	393754	Bracket, Alternator	1

Fig. 14 - Oil Filter Group



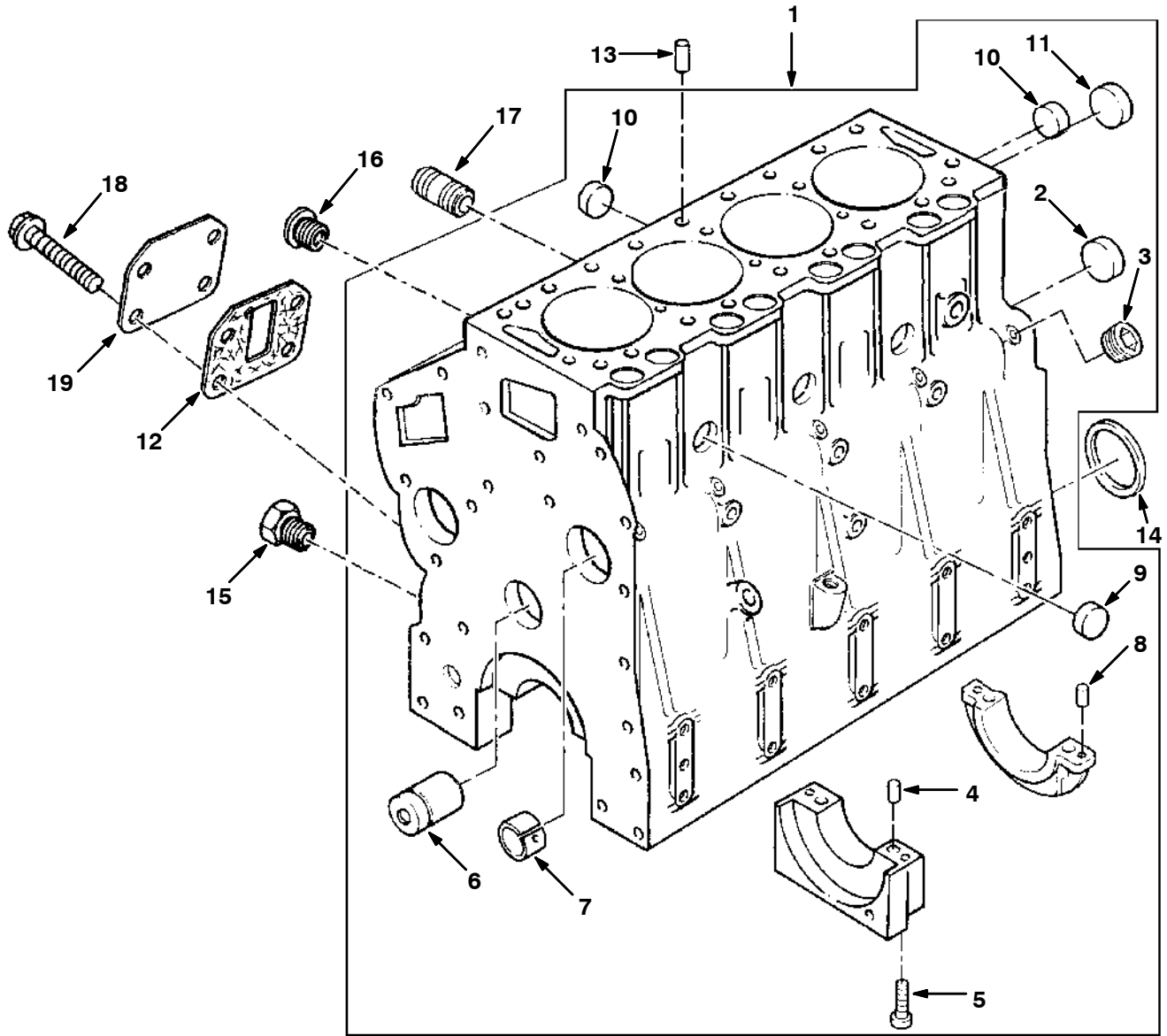
09772 - 550, 1550, D

Ref.	Part No.	Description	Qty.
1	47388	Elbow, Water Header	2
2	393724	Elbow, Water Pump	1
3	38856	Hose, Oil Cooler	1
4	38409	Tube, Oil Cooler	1
5	38405	Cooler, Oil	1
6	38402	Adapter, Oil Filter	1
7	42325	Element, Oil Filter	1
8	77895	Connector, Oil Cooler	1
9	38406	Tube, Oil Cooler	1
10	52766	Clamp, Hose	8
11	38857	Hose, Oil Cooler	1
12	38919	Hose, Oil Cooler	1
13	52845	Hose, Oil Cooler	1

## SECTION 15

<b>Contents</b>	<b>Page</b>
Fig. 1 - Cylinder Block Group .....	15-2
Fig. 2 - Crankshaft and Piston Group .....	15-4
Fig. 3 - Cylinder Head Group .....	15-6
Fig. 4 - Rocker Shaft Group .....	15-8
Fig. 5 - Timing Gear, Cover and Camshaft Group .....	15-10
Fig. 6 - Timing Gear Cover Mount Group ....	15-12
Fig. 7 - Oil Pump Group .....	15-13
Fig. 8 - Auxiliary Drive Group .....	15-14
Fig. 9 - Fuel Injection Pipe Group .....	15-16
Fig. 10 - Fuel Injection Pump Breakdown ....	15-18
Fig. 11 - Flywheel Housing Group .....	15-19
Fig. 12 - Lubricating Oil Sump Group .....	15-20
Fig. 13 - Cylinder Head Cover Group .....	15-22
Fig. 14 - Water Pump and Thermostat Group .	15-24
Fig. 15 - Manifold Group .....	15-26
Fig. 16 - Glow Plug and Engine Lift Group ....	15-27
Fig. 17 - Top Joints and Gaskets Group .....	15-28
Fig. 18 - Bottom Joints and Gaskets Group ...	15-29

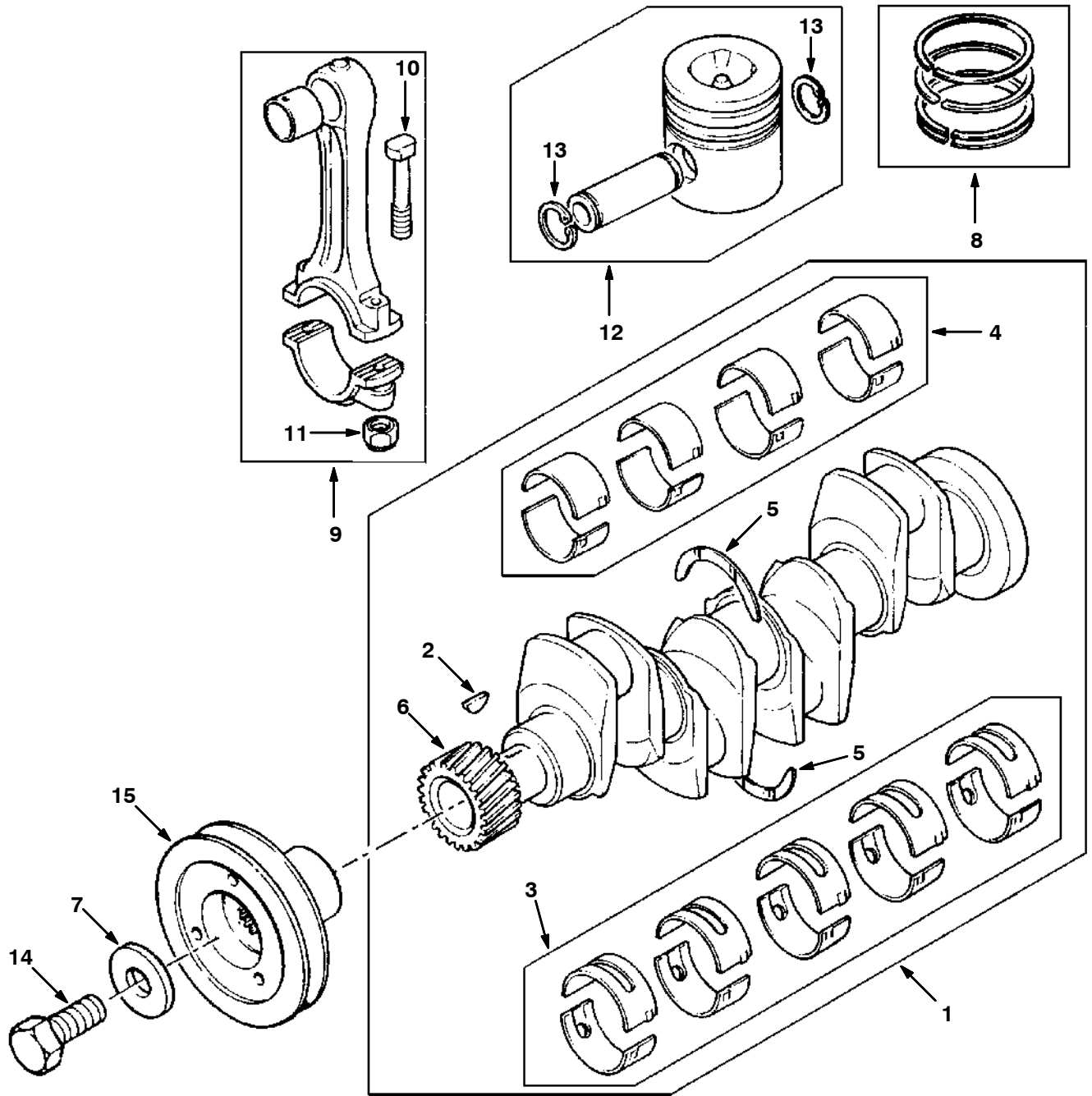
Fig. 1 - Cylinder Block Group



**Fig. 1 - Cylinder Block Group**

	<b>Ref.</b>	<b>Part No.</b>	<b>Description</b>	<b>Qty.</b>
		370885	Short Block	1
▽	1	369289	Cylinder Block Kit	1
▲	2	764468	Plug	2
▲	3	764785	Plug	10
▲	4	369237	Seal	2
▲	5	369171	Screw	10
▲	6	369182	Shaft	1
▲	7	369140	Bushing	1
▲	8	369238	Seal	4
▲	9	369036	Plug	3
▲	10	764469	Plug	4
▲	11	764465	Plug	1
	12	21796	Gasket	1
	13	369201	Dowel	2
	14	369032	Seal	1
	15	764836	Plug	1
	16	369209	Adaptor	1
	17	369296	Connection	2
	18	369019	Screw	4
	19	369295	Plate	1

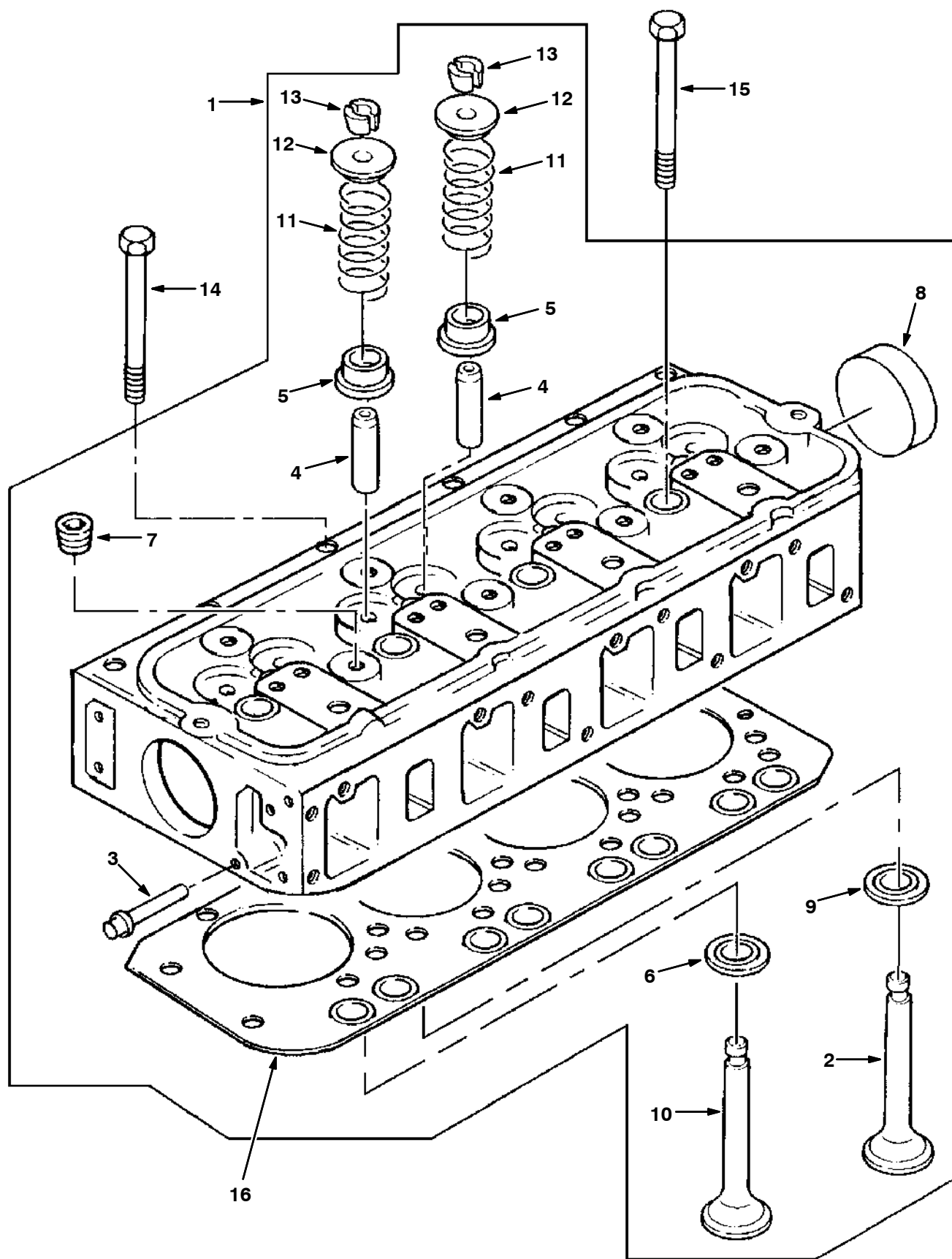
Fig. 2 - Crankshaft and Piston Group



**Fig. 2 - Crankshaft and Piston Group**

	<b>Ref.</b>	<b>Part No.</b>	<b>Description</b>	<b>Qty.</b>
▽	1	369293	Rockershaft	1
▲	2	764402	Key	1
▲	3	369286	Bearing Kit	1
▲	4	369287	Bearing Kit	1
▲	5	369137	Bushing	2
▲	6	369145	Gear, Crankshaft	1
	7	369207	Washer	1
	8	369298	Kit, Piston Ring	4
▽	9	369297	Kit, Conrod	4
▲	10	369172	Screw (Replaced by None)	2
▲	11	369208	Nut	2
▽	12	369284	Piston Kit	4
▲	13	369132	Clip	2
	14	369169	Screw	1
	15	369143	Pulley, Crank	1

Fig. 3 - Cylinder Head Group

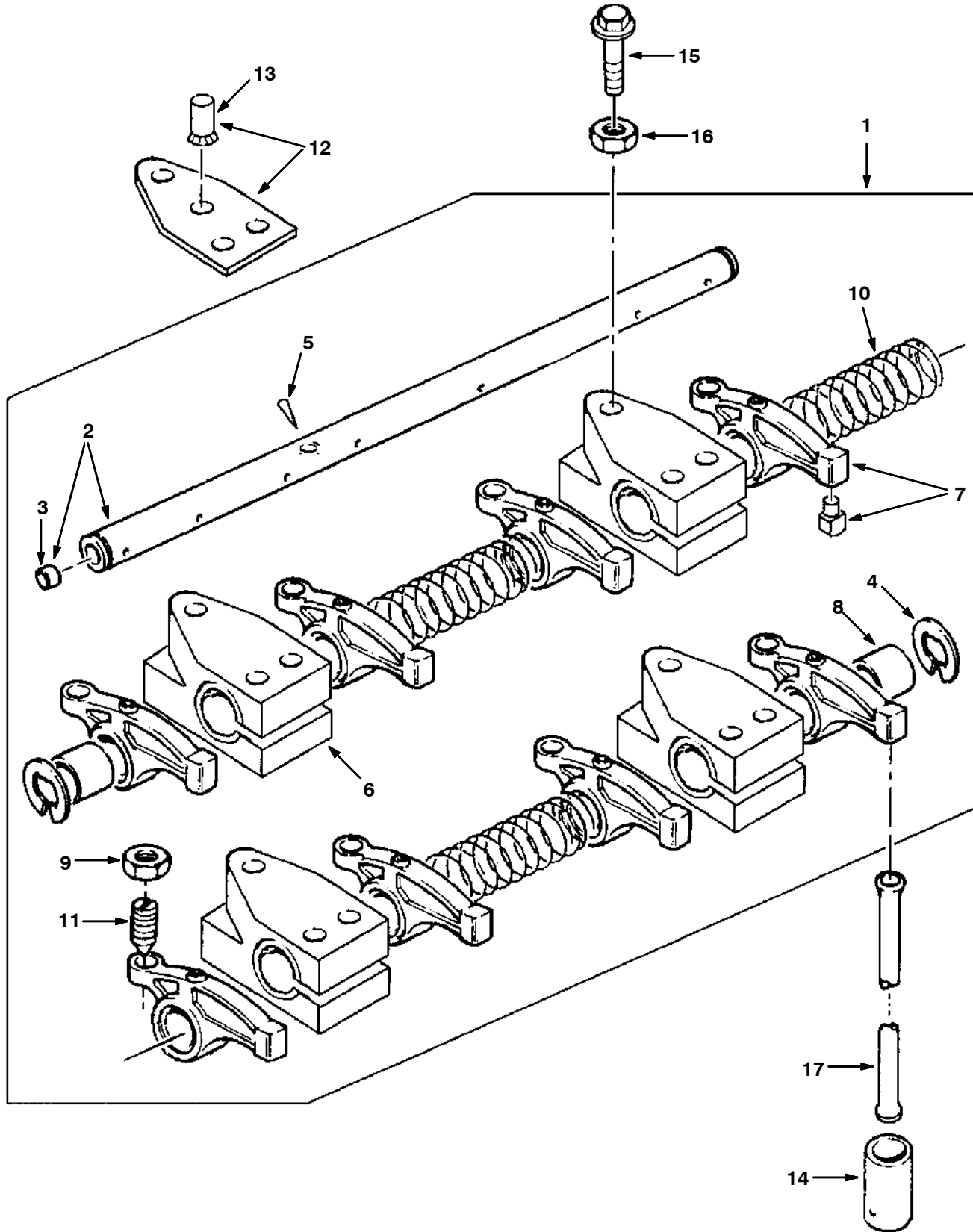




**Fig. 3 - Cylinder Head Group**

	<b>Ref.</b>	<b>Part No.</b>	<b>Description</b>	<b>Qty.</b>
▽	1	369290	Cylinder Head Kit	1
▲	2	369150	Inlet Valve	4
▲	3	764466	Plug	1
▲	4	369200	Guide	8
▲	5	369261	Seal	8
▲	6	369197	Insert	4
▲	7	764425	Plug	4
▲	8	764469	Plug	2
▲	9	369198	Insert	4
▲	10	369149	Exhaust Valve	4
▲	11	369159	Spring	8
▲	12	369206	Cap	8
▲	13	369153	Cotter	16
	14	369170	Screw	14
	15	369173	Screw	4
	16	369228	Head Gasket	1

Fig. 4 - Rocker Shaft Group



**Fig. 4 - Rocker Shaft Group**

	<b>Ref.</b>	<b>Part No.</b>	<b>Description</b>	<b>Qty.</b>
▽	1	369292	Rockershaft Assy	1
▲▽	2	369294	Rocker Shaft	1
▲▲	3	369002	Plug	2
▲	4	369134	Circlip	2
▲	5	369005	Pin	1
▲	6	369249	Bracket	4
▲	7	369254	Lever	8
▲	8	369195	Spacer	2
▲	9	369023	Nut	8
▲	10	369160	Spring	3
▲	11	369166	Screw	8
▽	12	369243	Plate	1
▲	13	369187	Stud	1
	14	369151	Tappet	8
	15	369016	Screw	8
	16	764421	Nut	4
	17	369152	Push Rod	8

Fig. 5 - Timing Gear, Cover and Camshaft Group

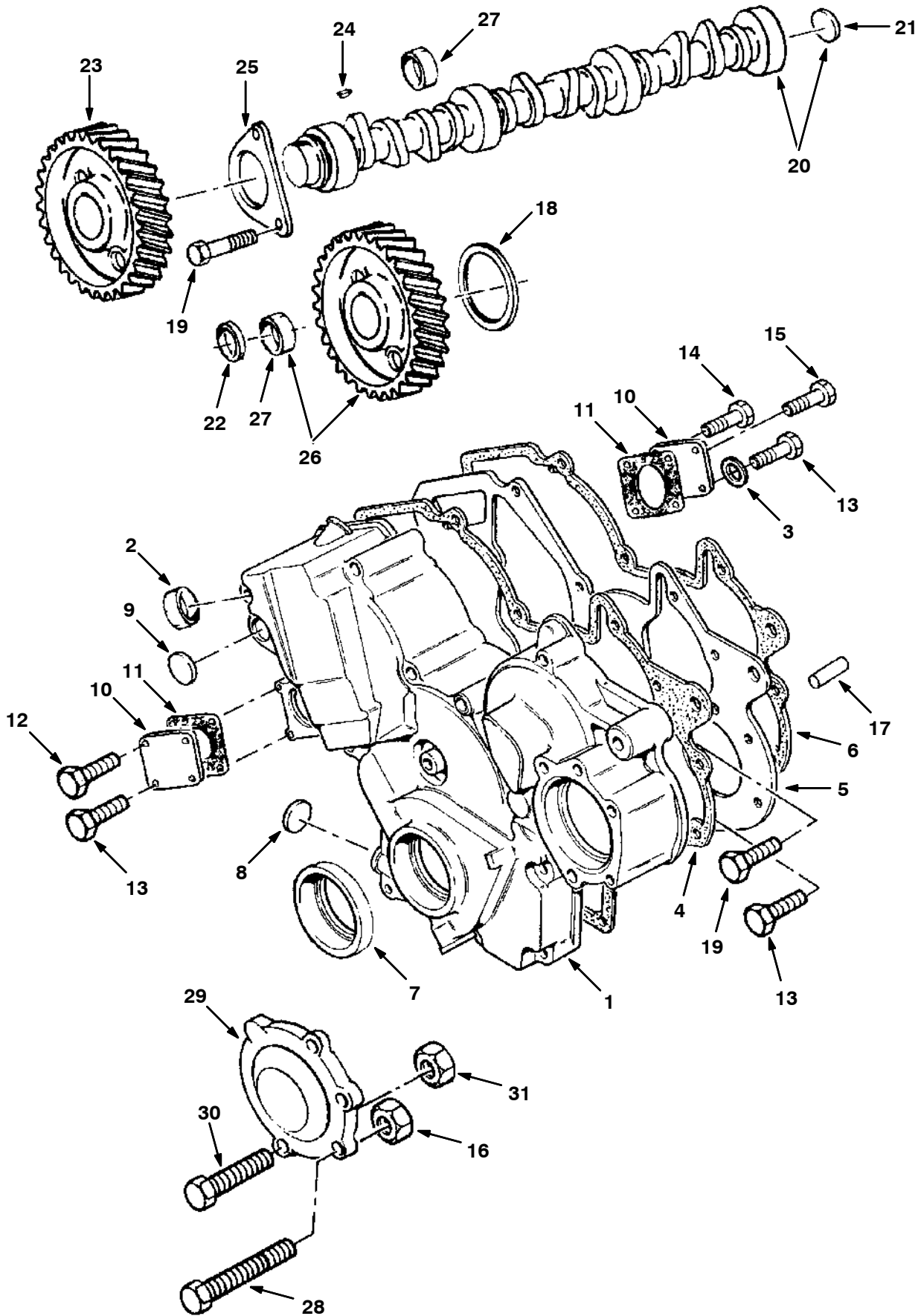
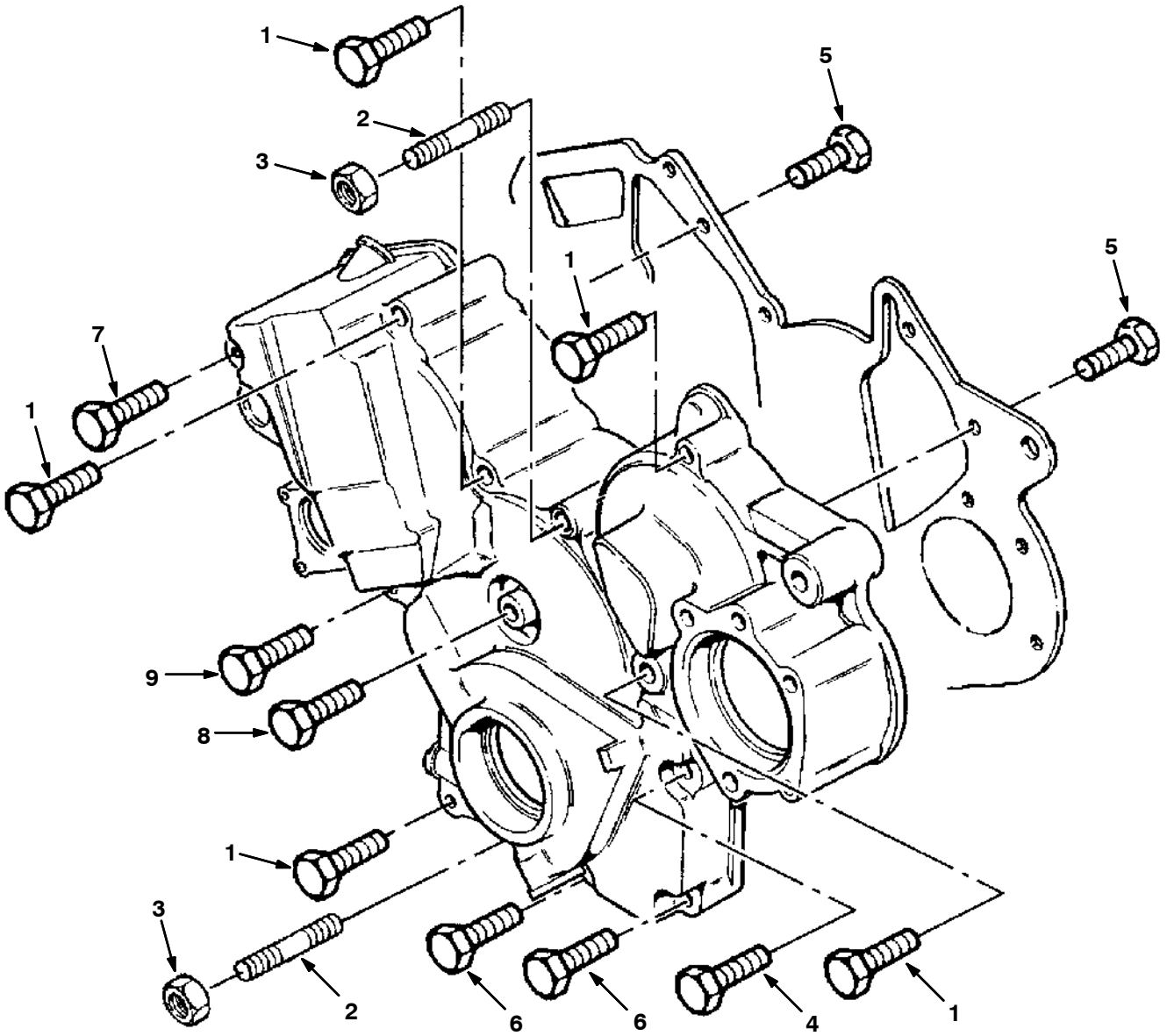


Fig. 5 - Timing Gear, Cover and Camshaft Group

Ref.	Part No.	Description	Qty.	
1	369257	Timing Gear Cover	1	
2	369205	Sleeve	1	
3	369004	Washer	2	
4	369235	Joint	1	
5	369224	Plate	1	
6	369236	Joint	1	
7	369031	Seat	1	
8	369035	Plug	3	
9	369174	Plug	1	
10	369217	Plate	1	
11	369232	Joint	1	
12	369020	Screw	1	
13	764408	Screw	8	
14	764409	Screw	1	
15	764575	Screw	2	
16	764422	Nut	2	
17	369196	Dowel	2	
18	369025	O-Ring	1	
19	764653	Screw	2	
▽	20	393665	Camshaft	1
▲	21	369037	Plug	1
▲		369140	Bushing (Not Shown)	1
	22	369007	Washer	2
	23	369146	Gear, Camshaft	1
	24	369260	Woodruff Key	1
	25	369141	Cover	1
▽	26	369251	Idler Gear	1
▲	27	369138	Bushing	2
	28	764418	Screw	2
	29	369299	Cover	1
	30	370806	Screw	2
	31	764421	Nut	2

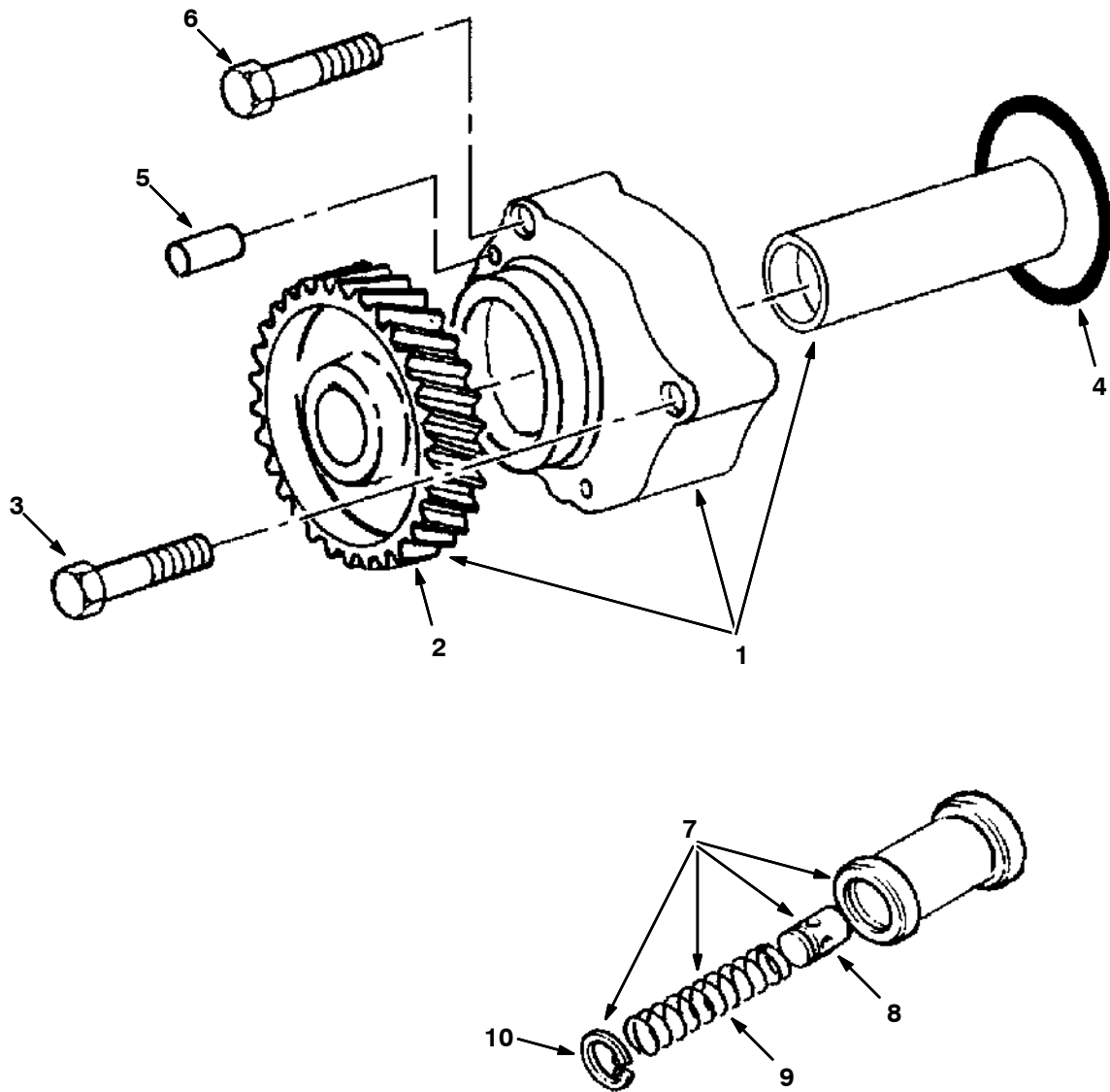
**Fig. 6 - Timing Gear Cover Mount Group**



351097 - D

Ref.	Part No.	Description	Qty.
1	764560	Screw	5
2	763887	Stud	2
3	764421	Nut	2
4	764620	Screw	1
5	764409	Screw	2
6	764412	Screw	2
7	369018	Screw	1
8	764575	Screw	1
9	764414	Screw	1

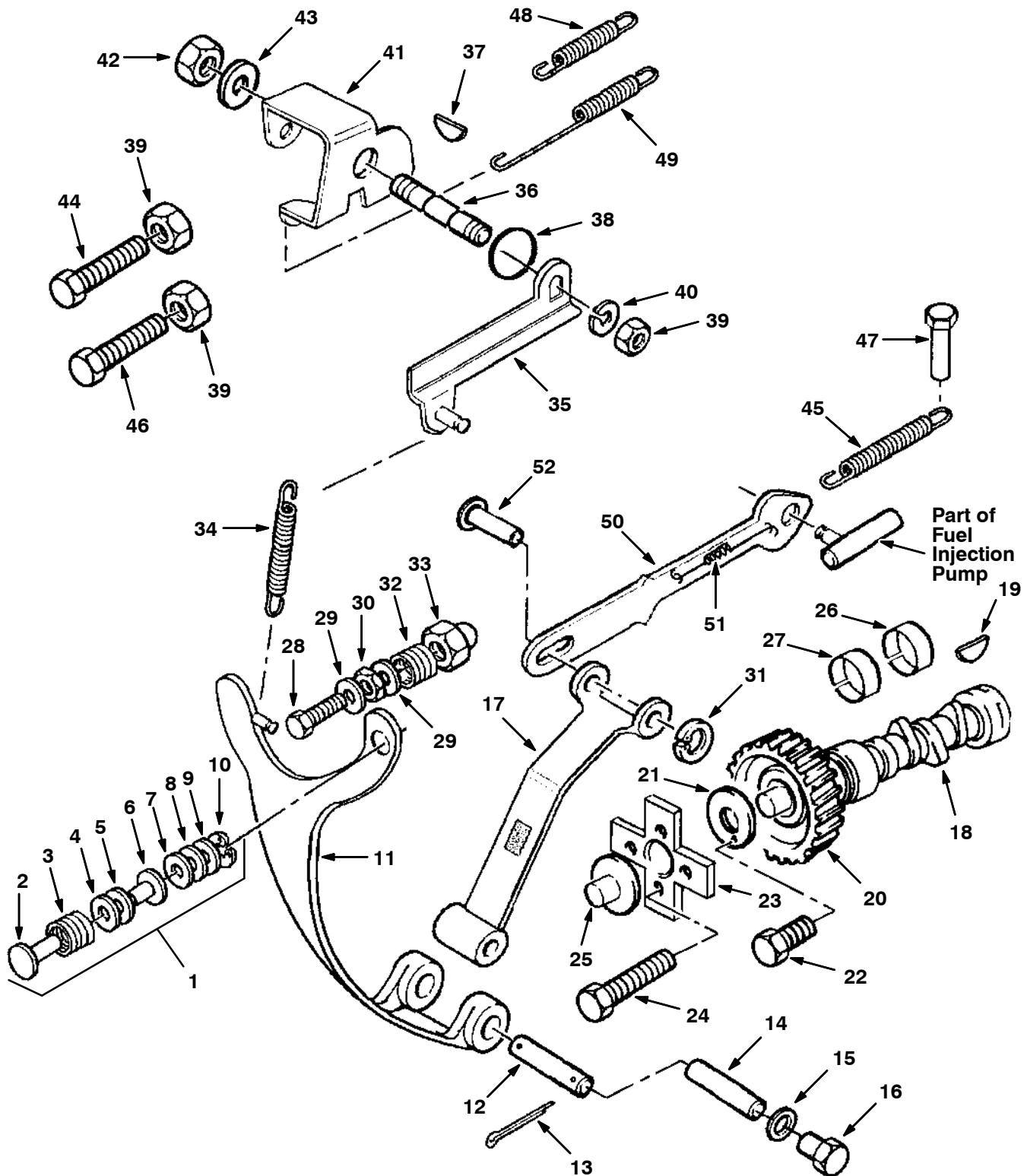
Fig. 7 - Oil Pump Group



351101 - D

	Ref.	Part No.	Description	Qty.
▽	1	369255	Oil Pump	1
▲	2	369144	Gear	1
	3	369012	Screw	1
	4	369027	O-Ring	1
	5	369179	Dowel	2
	6	764707	Screw	2
▽	7	369256	Valve	1
▲	8	369181	Plunger	1
▲	9	369157	Spring	1
▲	10	369133	Circlip	1

**Fig. 8 - Auxiliary Drive Group**



351099 - D

Ref.	Part No.	Description	Qty.	
▽	1	369282	Adjuster	1
▲	2	369183	Pin	1
▲	3	369155	Spring	1

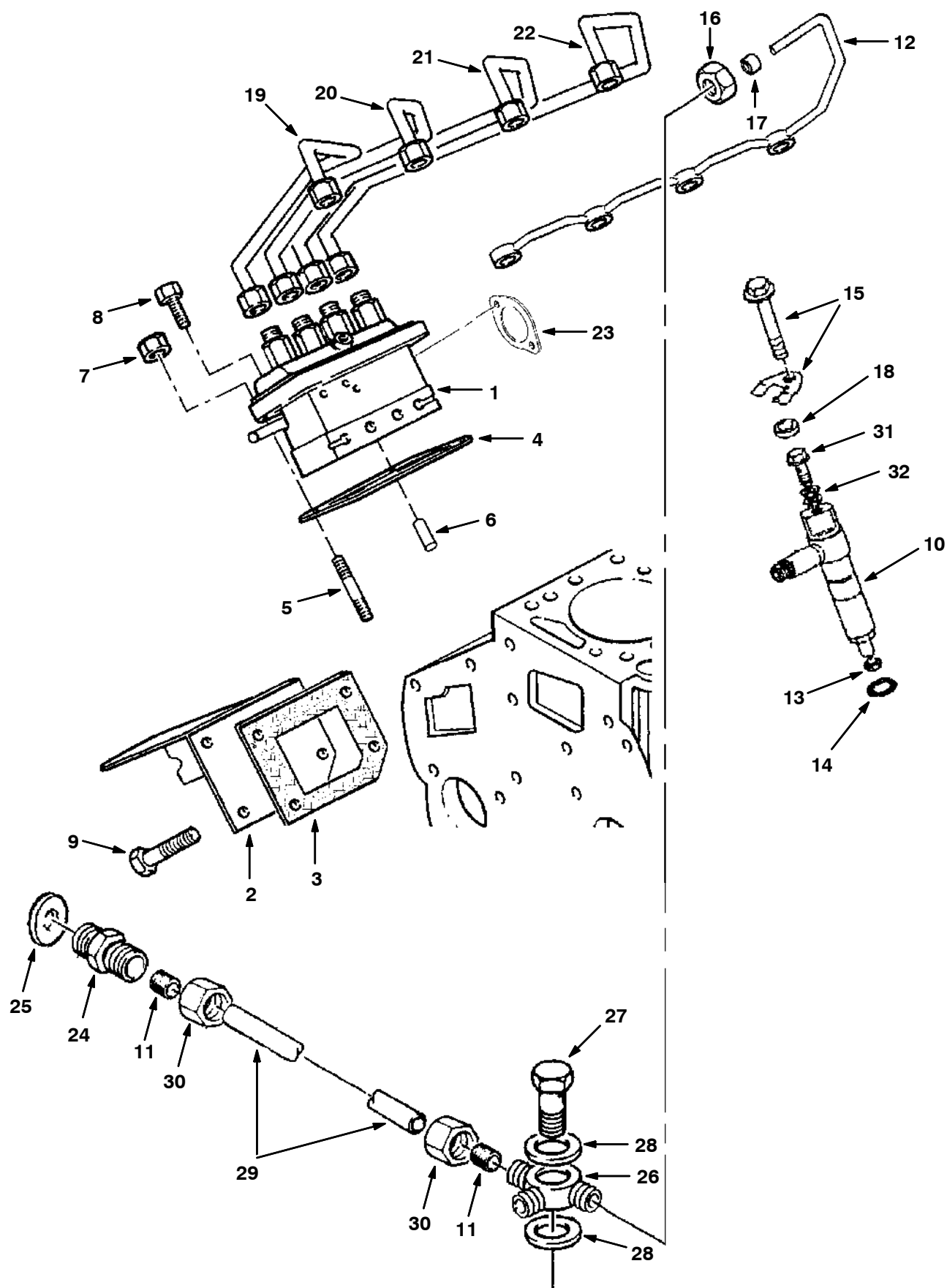


# PERKINS ENGINE BREAKDOWN, DIESEL

**Fig. 8 - Auxiliary Drive Group**

Ref.	Part No.	Description	Qty.	
▲	4	369191	Shim	1
▲	5	369190	Shim	1
▲	6	369272	Adapter	1
▲	7	369188	Shim	1
▲	8	369189	Shim	1
▲	9	369192	Shim	1
▲	10	369135	Circlip	1
	11	369241	Arm	1
	12	369175	Pin	1
	13	369213	Pin	2
	14	369176	Pin	1
	15	369194	Washer	1
	16	369038	Screw	1
	17	369242	Arm	1
	18	369148	Camshaft	1
	19	369260	Woodruff Key	1
	20	369147	Gear, Pump	1
	21	369177	Plate	1
	22	764812	Screw	1
	23	369253	Weight	1
	24	369015	Screw	4
	25	369142	Slider	1
	26	369040	Bearing	1
	27	369039	Ball Bearing	1
	28	369165	Screw	1
	29	369193	Washer	3
	30	369203	Nut	1
	31	369135	Circlip	1
	32	369268	Spring	1
	33	369186	Nut	1
	34	369269	Spring	1
	35	369279	Arm	1
	36	369167	Shaft	1
	37	369001	Woodruff Key	1
	38	369026	O-Ring	2
	39	369202	Nut	3
	40	369008	Washer	1
	41	369250	Lever	1
	42	369204	Nut	1
	43	369006	Washer	1
	44	369168	Screw	1
	45	369162	Spring	1
	46	369022	Screw	1
	47	369184	Pin	1
	48	369163	Spring	1
	49	369158	Spring	1
	50	370807	Link	1
	51	369162	Spring	1
	52	369270	Pin	1

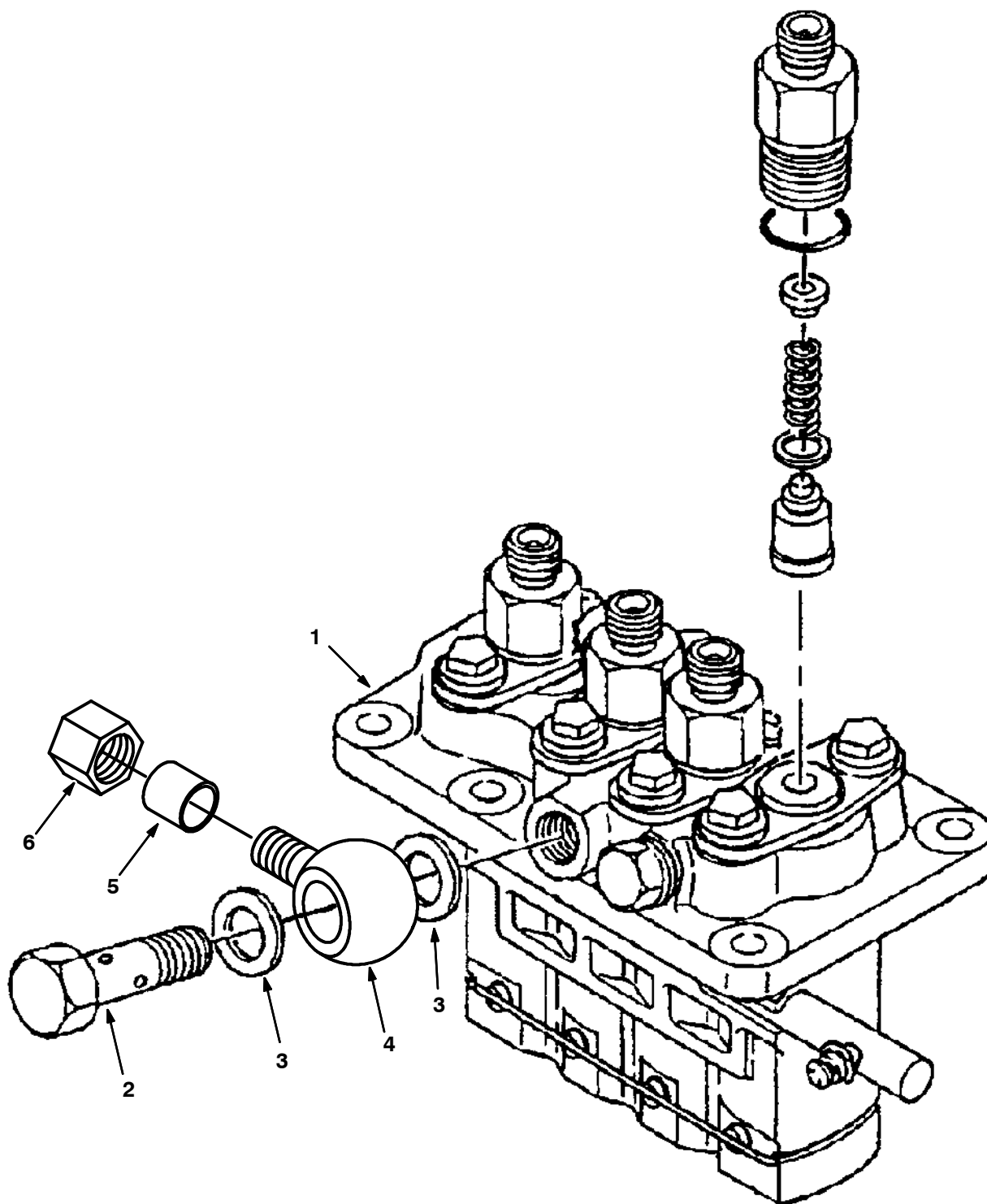
Fig. 9 - Fuel Injection Pipe Group



**Fig. 9 - Fuel Injection Pipe Group**

<b>Ref.</b>	<b>Part No.</b>	<b>Description</b>	<b>Qty.</b>
1	369262	Injection Pump (See Breakdown)	1
2	369226	Cover	1
3	369233	Joint	1
4	388548	Vr, Shim Kit, Pump, Injection [Pk]	1
5	764561	Stud	2
6	369178	Dowel	2
7	764421	Nut	2
8	764794	Screw	4
9	764812	Screw	4
10	369263	Atomiser	4
11	369210	Olive .36Od .25Id	2
12	369277	Leak-Off Pipe	1
13	369259	Washer	4
14	369030	O-Ring	4
15	369281	Clamp	4
16	764432	Nut	1
17	764433	Olive	1
18	369271	Spacer	4
19	369273	Inj Pipe #1 Cyl	1
20	369274	Inj Pipe #2 Cyl	1
21	369275	Inj Pipe #3 Cyl	1
22	369276	Inj Pipe #4 Cyl	1
23	369231	Joint	1
24	370811	Connection	1
25	370812	Washer	1
26	369154	Connection	1
27	37828	Bolt	1
28	764802	Washer	2
29	370809	Pipe, Fuel	1
30	370810	Nut, Union	2
31	393675	Bolt	1
32	393676	Gasket	2

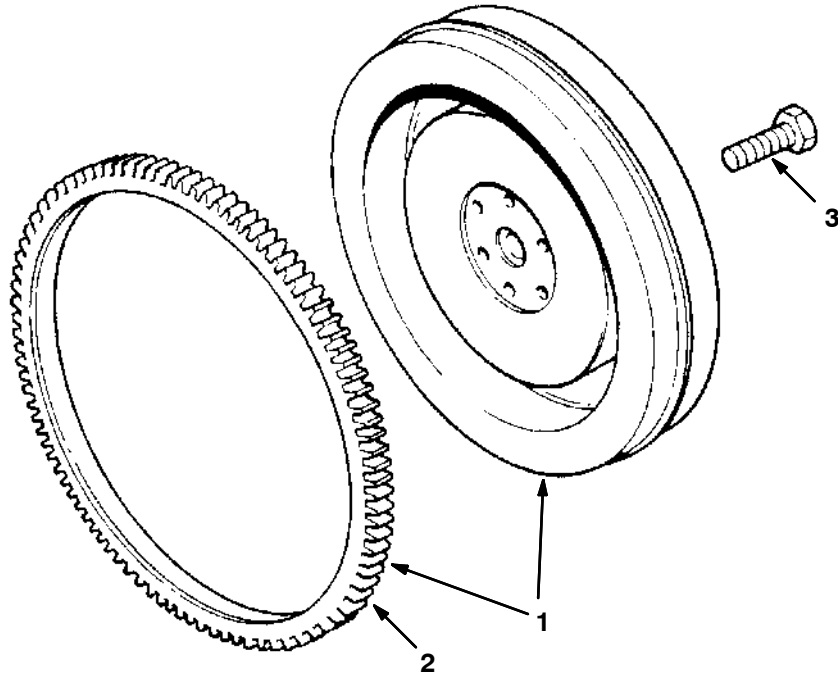
**Fig. 10 - Fuel Injection Pump Breakdown**



351085 - D

Ref.	Part No.	Description	Qty.
▽	1	369262 Injection Pump	1
▲	2	369089 Bolt	1
▲	3	369090 Gasket	2
	4	370814 Connection	1
	5	764804 Olive	1
	6	764803 Nut	1

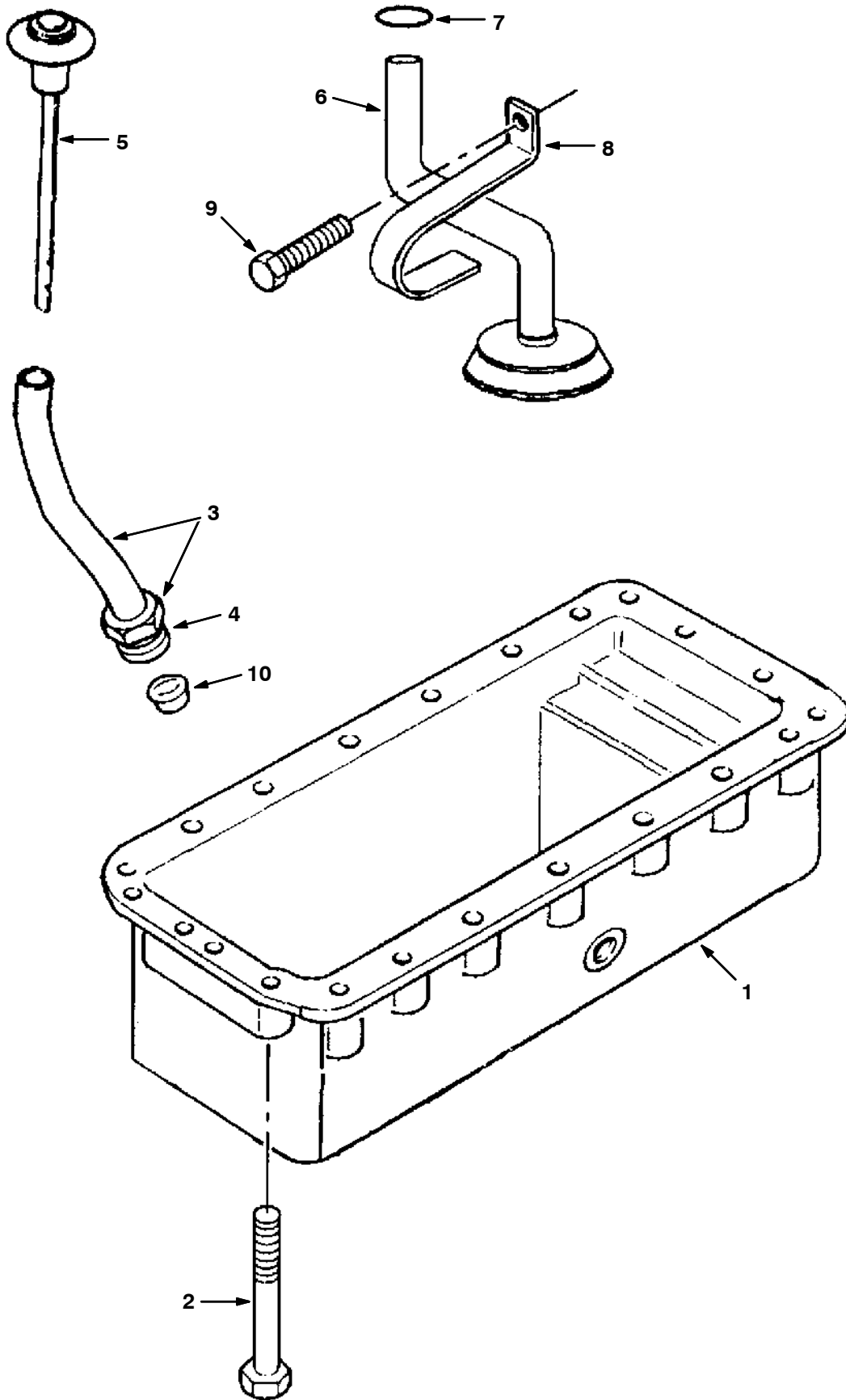
Fig. 11 - Flywheel Housing Group



351107 - 1550, D

	Ref.	Part No.	Description	Qty.
▽	1	370815	Flywheel Assy	1
▲	2	37973	Gear, Ring	1
	3	370816	Screw	8

Fig. 12 - Lubricating Oil Sump Group



**Fig. 12 - Lubricating Oil Sump Group**

	<b>Ref.</b>	<b>Part No.</b>	<b>Description</b>	<b>Qty.</b>
▽		374229	Pan Kit, Oil, Replmt [550d/1550d]	1
▲	1	374147	Sump	1
▲	2	374148	Screw	24
▽	3	369216	Tube Assy	1
▲	4	764716	Nut	1
	5	369164	Dipstick	1
	6	370821	Pipe, Oil	1
	7	370819	O-Ring	1
	8	370820	Clip	1
	9	765049	Screw	1
	10	764717	Olive	1

Fig. 13 - Cylinder Head Cover Group

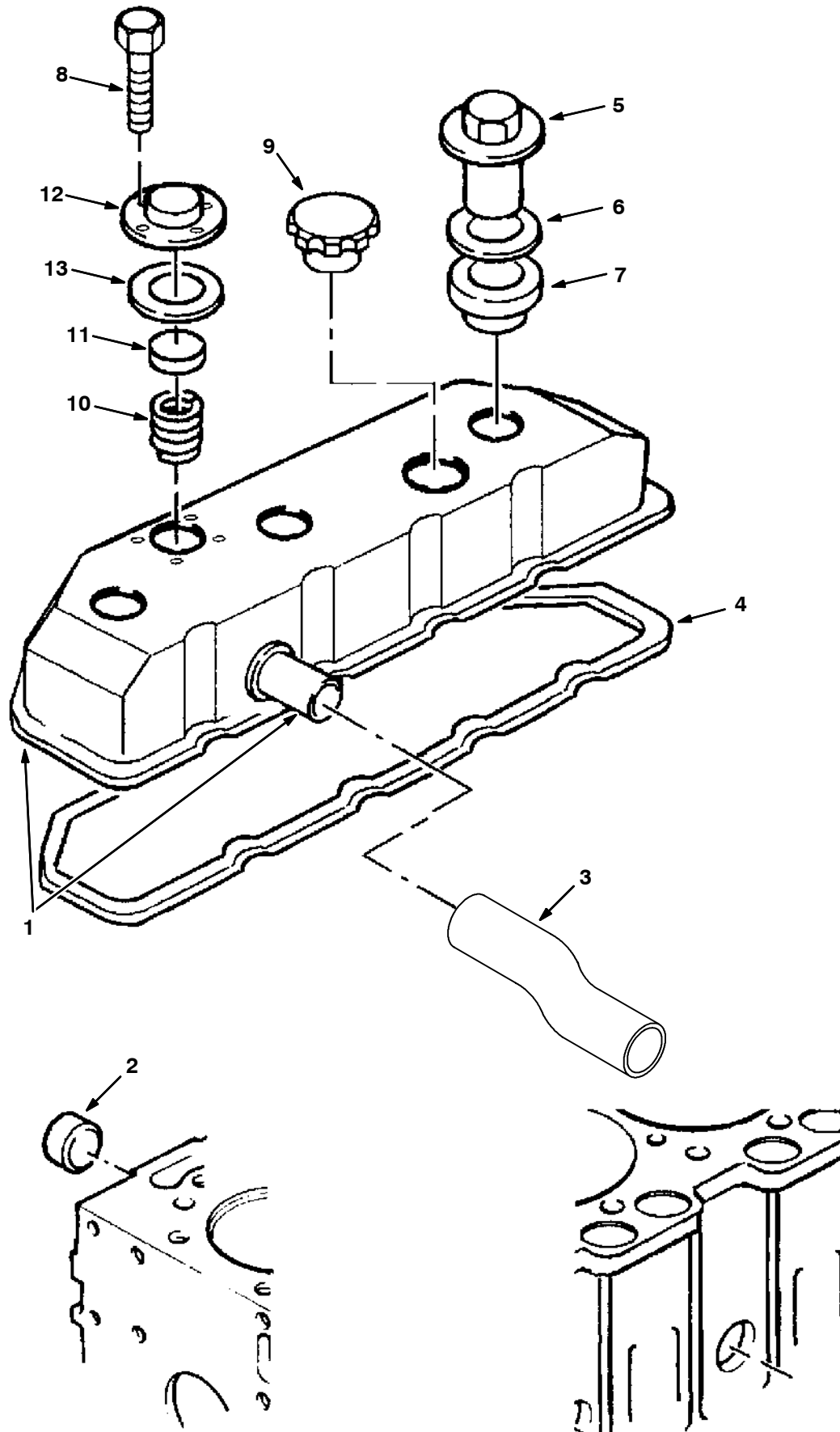




Fig. 13 - Cylinder Head Cover Group

Ref.	Part No.	Description	Qty.
1	369240	Cylinder Head Copy	1
2	764403	Plug	1
3	370823	Hose	1
4	369227	Joint	1
5	369185	Nut	3
6	369003	Washer	3
7	369211	Seal	3
8	369010	Screw	4
9	369212	Cap	1
10	369156	Spring	1
11	369199	Plate	1
12	369245	Cover	1
13	369239	Seal	1

Fig. 14 - Water Pump and Thermostat Group

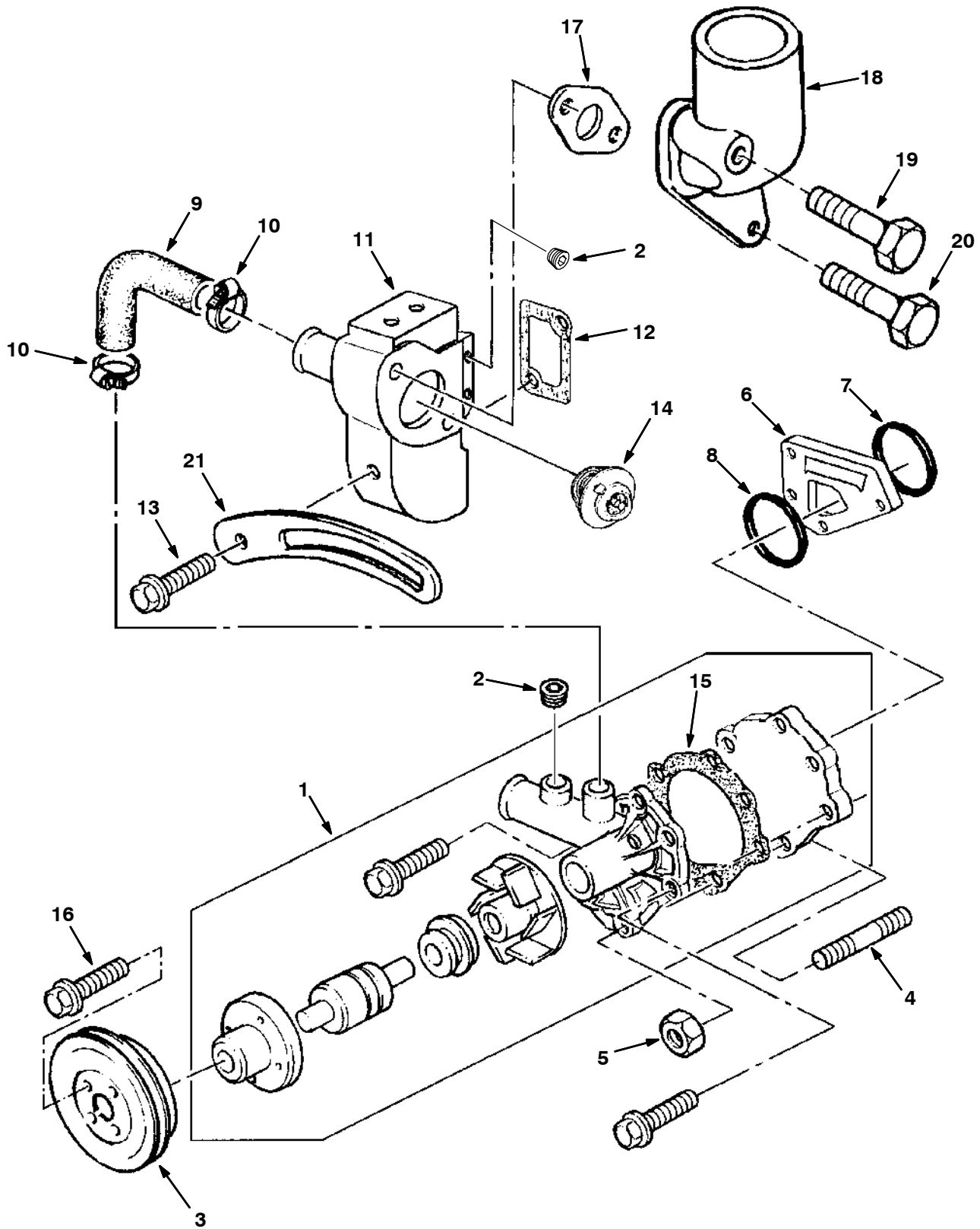
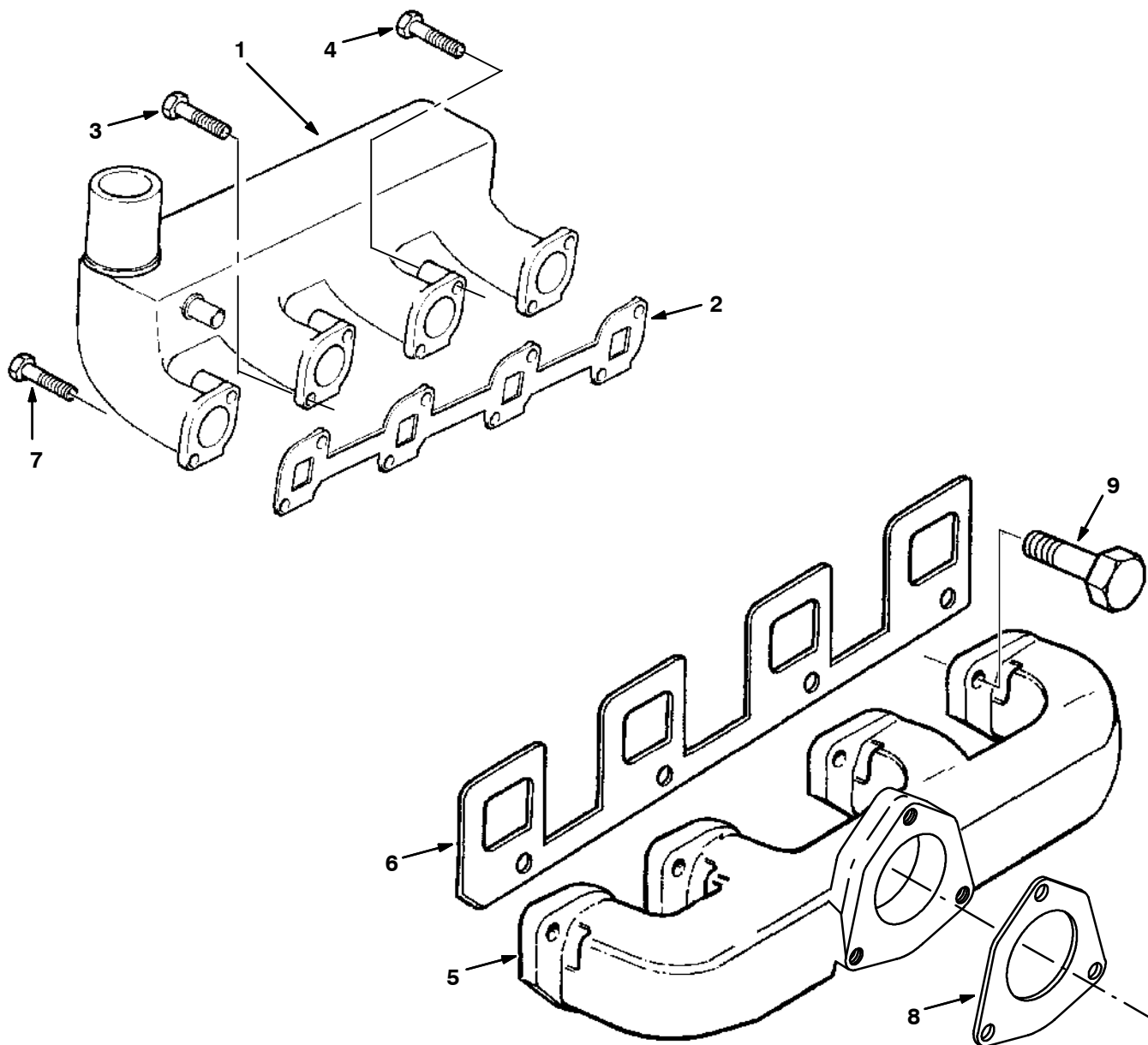


Fig. 14 - Water Pump and Thermostat Group

Ref.	Part No.	Description	Qty.
1	369280	Water Pump	1
2	764517	Plug	2
3	370825	Pulley	1
4	369014	Stud	4
5	764421	Nut	4
6	369244	Spacer	1
7	369029	O-Ring	1
8	369028	O-Ring	1
9	369214	Hose	1
10	369000	Clip	2
11	369247	Housing	1
12	369234	Gasket	1
13	764769	Screw	1
14	369034	Thermostat	1
15	370886	Gasket	1
16	764812	Screw	4
17	369230	Gasket	1
18	369246	Connection	1
19	764614	Screw	1
20	764556	Screw	1
21	762094	Lever	1

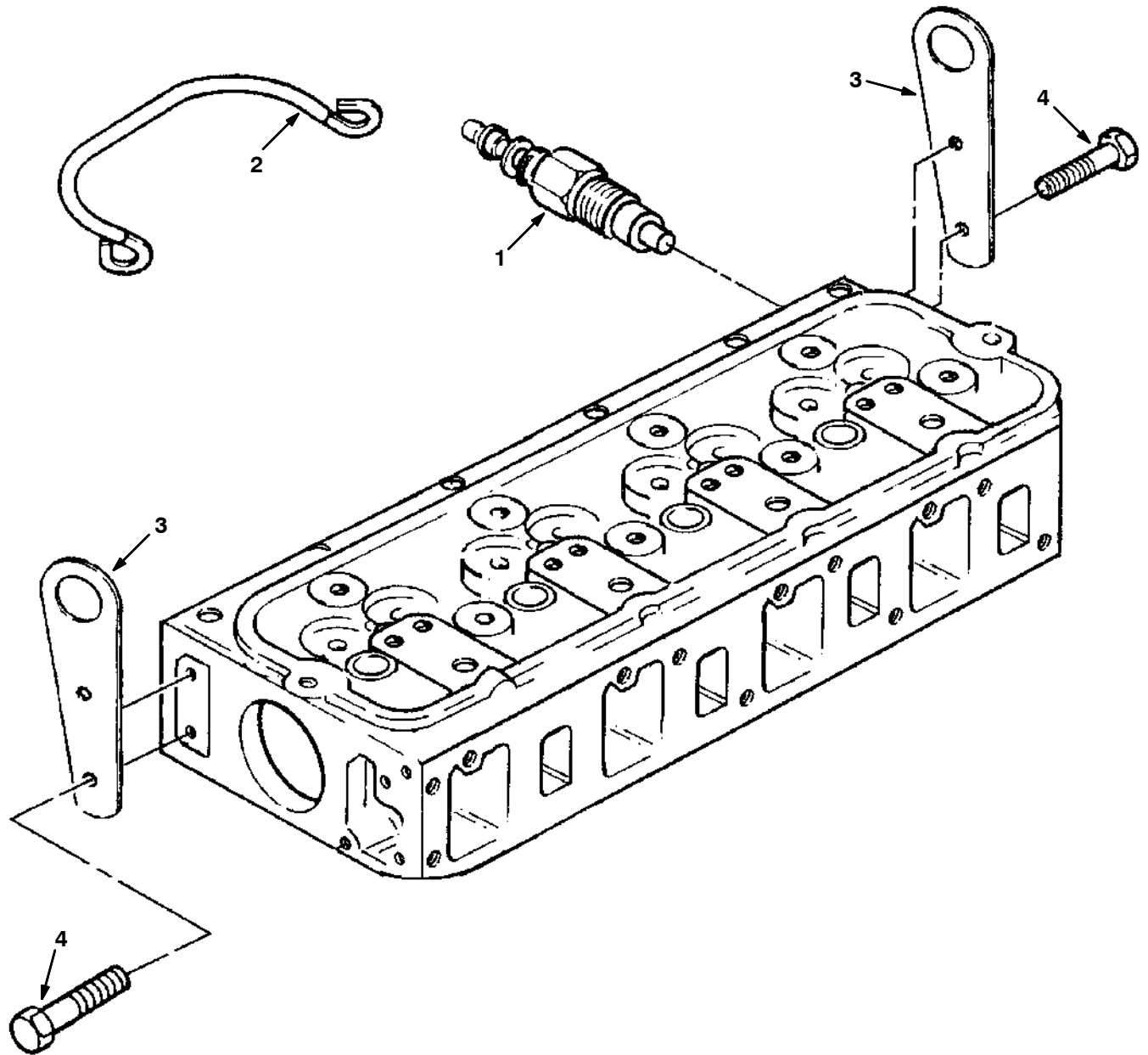
**Fig. 15 - Manifold Group**



351115 - D

Ref.	Part No.	Description	Qty.
1	370826	Manifold, Intake	1
2	369229	Joint	1
3	764410	Screw	4
4	374148	Screw	3
5	369248	Exhaust Manifold	1
6	369278	Joint	1
7	370887	Screw	1
8	370827	Gasket	1
9	764620	Screw	8

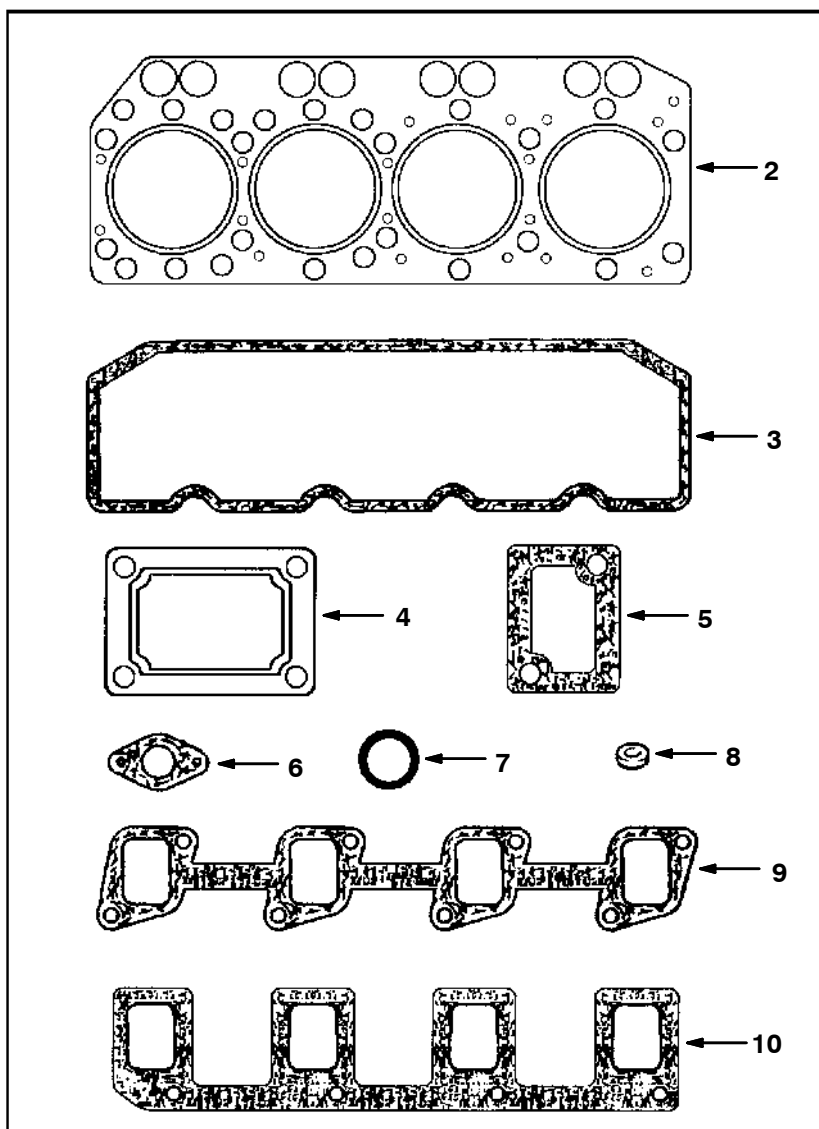
Fig. 16 - Glow Plug and Engine Lift Group



351117 - D

Ref.	Part No.	Description	Qty.
1	369131	Glow Plug	4
2	369258	Cable	3
3	369223	Plate	2
4	764408	Screw	4

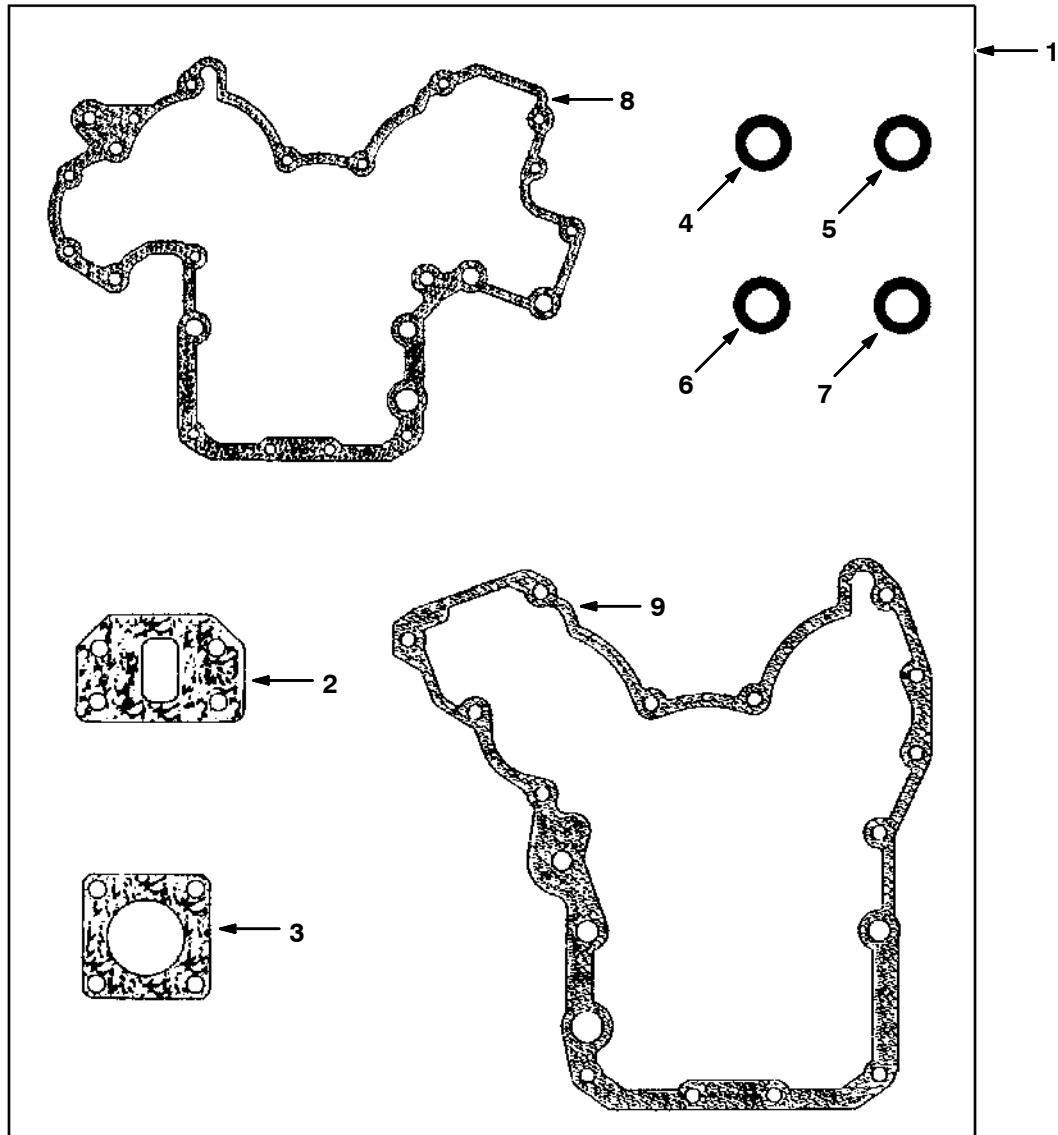
**Fig. 17 - Top Joints and Gaskets Group**



351119 - D

Ref.	Part No.	Description	Qty.	
▽	1	369285	Joint/Gasket	1
▲	2	369228	Head Gasket	1
▲	3	369227	Joint	1
▲	4	369233	Joint	1
▲	5	369234	Gasket	1
▲	6	369230	Joint	1
▲	7	369030	O-Ring	4
▲	8	369259	Washer	4
▲	9	369229	Joint	1
▲	10	369278	Joint	1

Fig. 18 - Bottom Joints and Gaskets Group



351121 - D

Ref.	Part No.	Description	Qty.	
▽	1	369283	Joint/Gasket Kit	1
▲	2	21796	Gasket	1
▲	3	369232	Joint	1
▲	4	369027	O-Ring	1
▲	5	369009	Washer	1
▲	6	369028	O-Ring	1
▲	7	369029	O-Ring	1
▲	8	369235	Joint	1
▲	9	369236	Joint	1

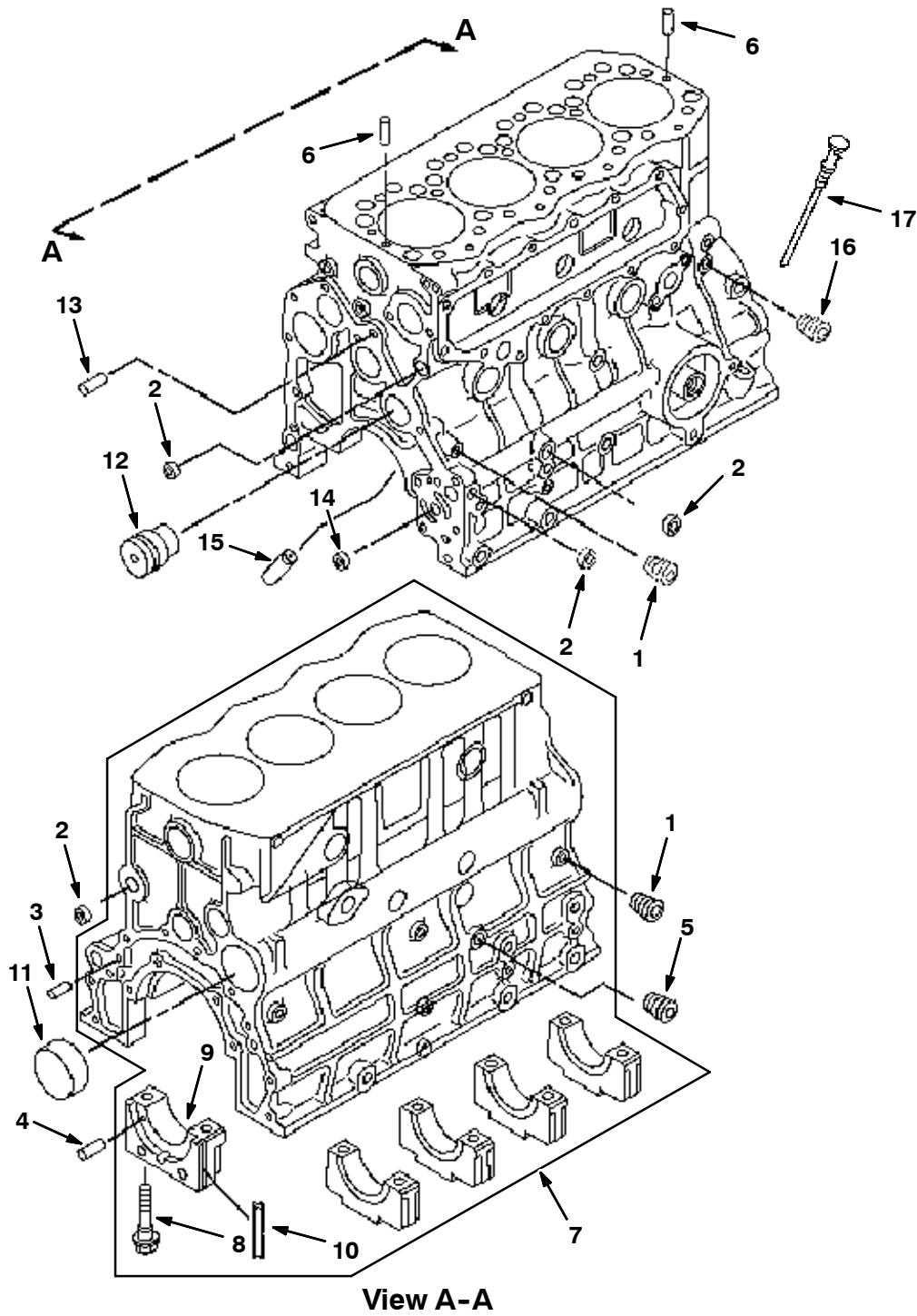




## SECTION 16

<b>Contents</b>	<b>Page</b>
Fig. 1 - Cylinder Block Group .....	16-2
Fig. 2 - Crankshaft and Piston Group .....	16-4
Fig. 3 - Cylinder Head and Cover Group .....	16-6
Fig. 4 - Valve and Rocker Arm Group .....	16-8
Fig. 5 - Camshaft Group .....	16-9
Fig. 6 - Front Housing and Gear Group .....	16-10
Fig. 7 - Flywheel Housing and Starter Group .	16-12
Fig. 8 - Auxiliary Drive Group .....	16-13
Fig. 9 - Oil Pan Group .....	16-14
Fig. 10 - Water Pump and Thermostat Group .	16-16
Fig. 11 - Cooler Group .....	16-18
Fig. 12 - Manifold Group .....	16-20
Fig. 13 - Fuel Group .....	16-22
Fig. 14 - Fumes Disposal Group .....	16-24
Fig. 15 - Alternator Group .....	16-26
Fig. 16 - Glow Plug Group .....	16-27

Fig. 1 - Cylinder Block Group



**Fig. 1 - Cylinder Block Group**

<b>Ref.</b>	<b>Part No.</b>	<b>Description</b>	<b>Qty.</b>	
1	372706	Plug	5	
2	372707	Cap	6	
3	372708	Pin	2	
4	372709	Pin, Spring	6	
5	372710	Plug	1	
6	372711	Pin	2	
▽	7	372712	Block Group, Cyl	1
▲	8	372713	Screw	10
▲	9	372714	Cap	10
▲	10	372715	Seal	2
11	372716	Plug	1	
12	372717	Shaft, Idler	1	
13	372718	Pin	2	
14	372719	Bushing	1	
15	372720	Tube, Cooling, Oil	4	
16	372721	Plug, Coolant, Eng	1	
17	372818	Dipstick, Oil, Eng	1	
	372934	Seal, Dipstick	1	
	372935	Tube, Dipstick	1	
	372936	Guide, Dipstick	1	

Fig. 2 - Crankshaft and Piston Group

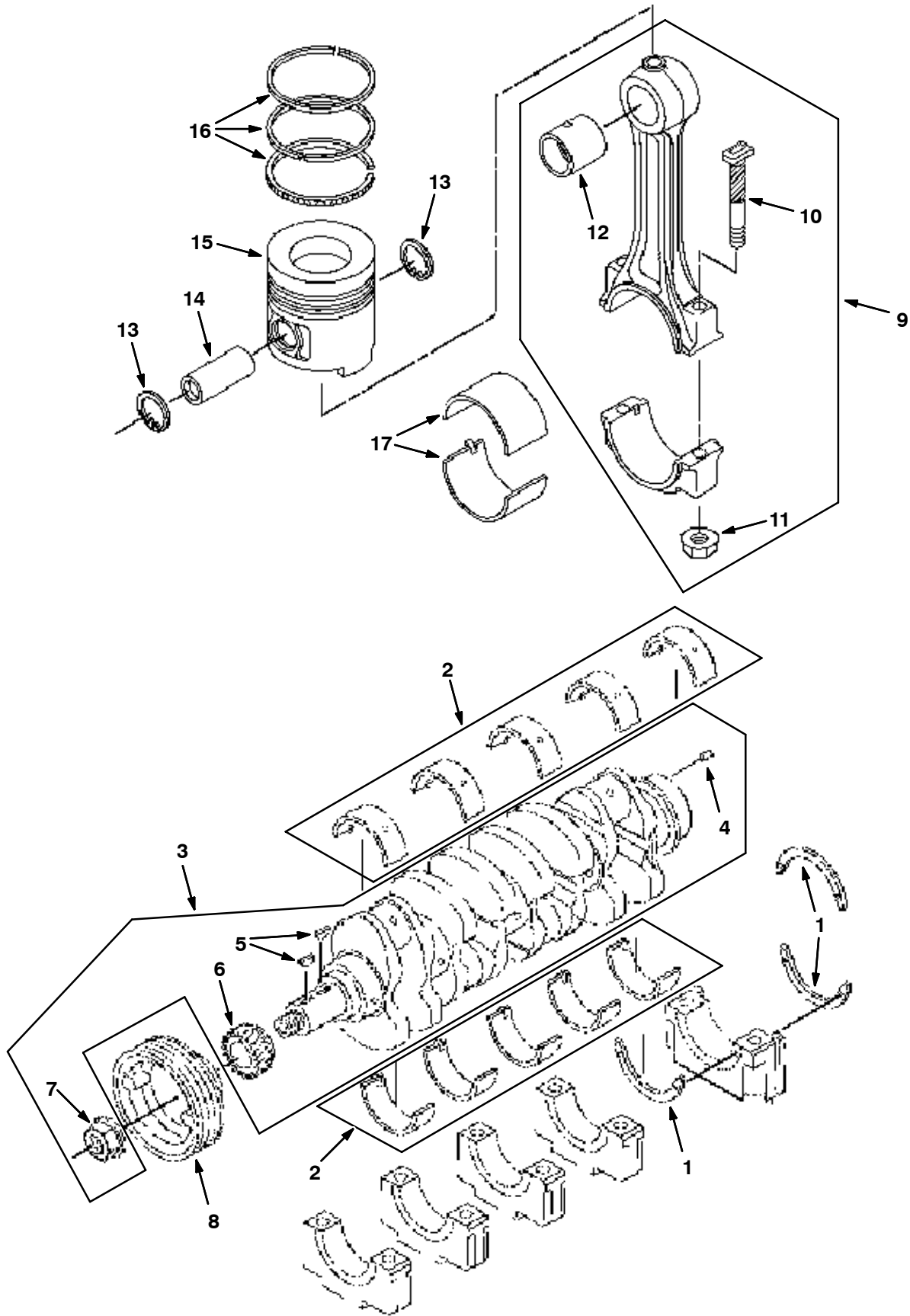
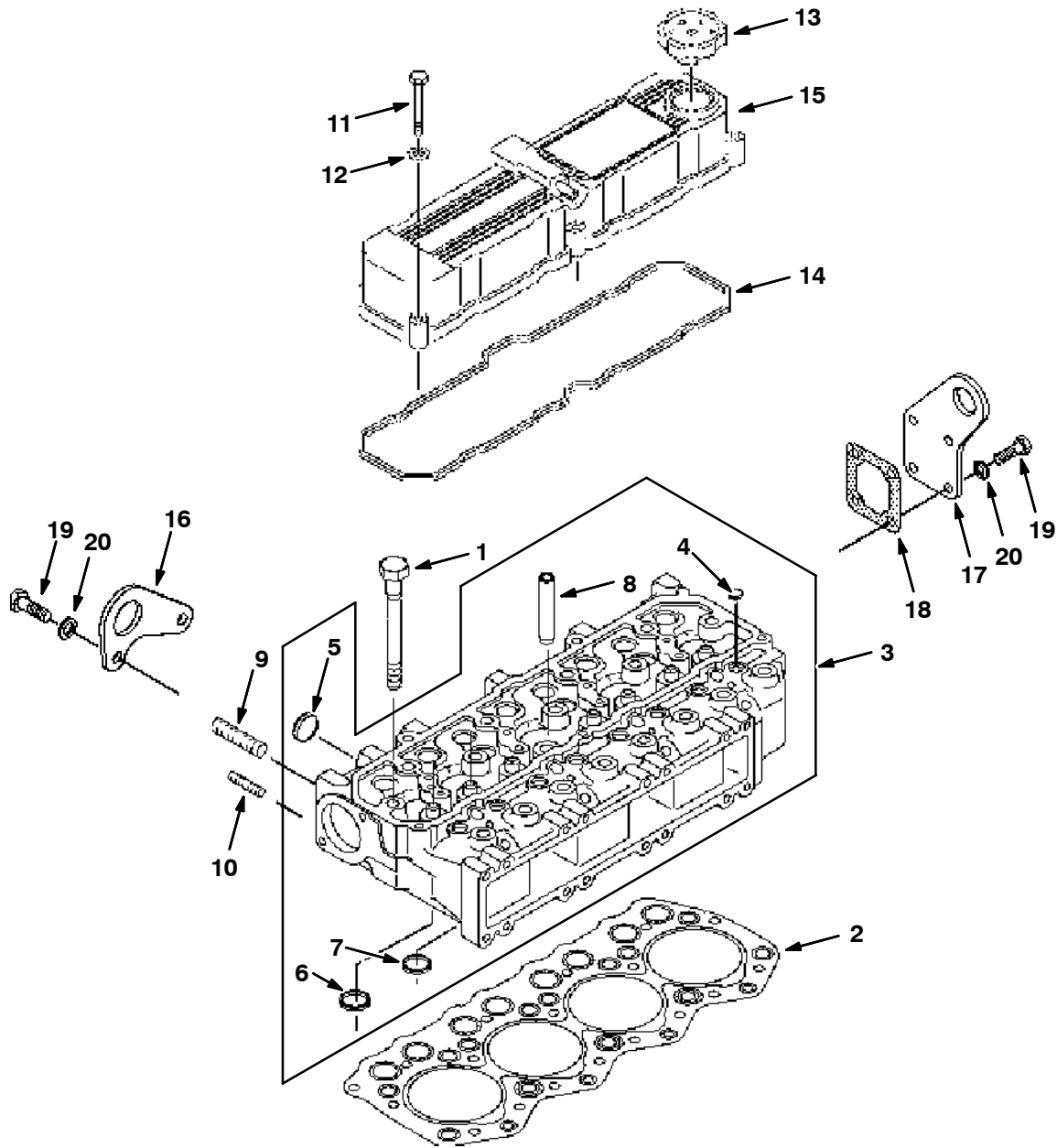


Fig. 2 - Crankshaft and Piston Group

Ref.	Part No.	Description	Qty.
1	372697	Plate, Thrust, Std	3
	372698	Plate, Thrust [+0.15mm]	3
2	372699	Bearing, Rod, Connecting	1
	372700	Bearing [-0.50mm]	1
	372701	Bearing [-0.50mm]	1
	372702	Plate, Thrust [+0.30mm]	3
▽	3	372703 Crankshaft Assy	1
▲	4	372704 Pin	2
▲	5	372691 Key	2
▲	6	372705 Gear, 23 Tooth	1
▲	7	372797 Nut	1
	8	372798 Pulley, Crankshaft	1
▽	9	372737 Rod Assy, Connecting	4
▲	10	372738 Bolt, Rod, Connecting	2
▲	11	372739 Nut	2
▲	12	372740 Bushing	1
	13	372741 Ring	8
	14	372742 Pin	4
	15	372743 Piston, Std	4
		372744 Piston [+0.25mm]	4
		372745 Piston [+0.50mm]	4
16	372746	Ring Set, Piston, Std	4
		372747 Ring Set, Piston [+0.25mm]	4
17	372748	Ring Set, Piston [+0.50mm]	4
		372749 Bearing, Std	1
		372750 Bearing [-0.25mm]	1
		372751 Bearing [-0.50mm]	1
		372752 Bearing [-0.75mm]	1

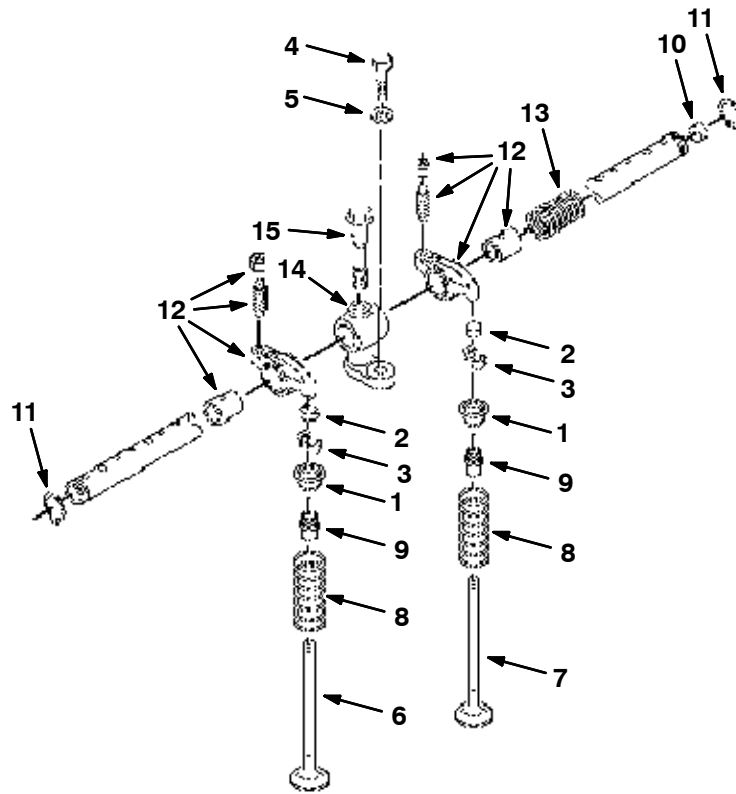
Fig. 3 - Cylinder Head and Cover Group



**Fig. 3 - Cylinder Head and Cover Group**

	<b>Ref.</b>	<b>Part No.</b>	<b>Description</b>	<b>Qty.</b>
	1	372722	Screw, Hex	17
	2	372665	Gasket, Head	1
▽	3	372723	Head Assy, Cylinder	1
▲	4	372724	Cap	8
▲	5	372725	Cap	4
▲	6	372726	Insert, Inlet	4
▲	7	372727	Insert, Exhaust	4
▲	8	372728	Guide	8
	9	372729	Stud	1
	10	372730	Stud	1
	11	41342	Screw, Hex, M8 X 1.25 X 40mm	5
	12	39349	Washer, 8.8mm X 16mm X 2mm	5
	13	372796	Cap, Filler, Oil	1
	14	372664	Gasket, Cover, Valve	1
	15	372696	Cover	1
	16	372938	Plate, Lift, Front	1
	17	372939	Plate, Lift, Rear	1
	18	372940	Gasket, Head, Rear	1
	19	16931	Screw, Hex, M8 X 1.25 X 20, 8.8	2
	20	32491	Washer, Flat, 0.31 Std	2

Fig. 4 - Valve and Rocker Arm Group

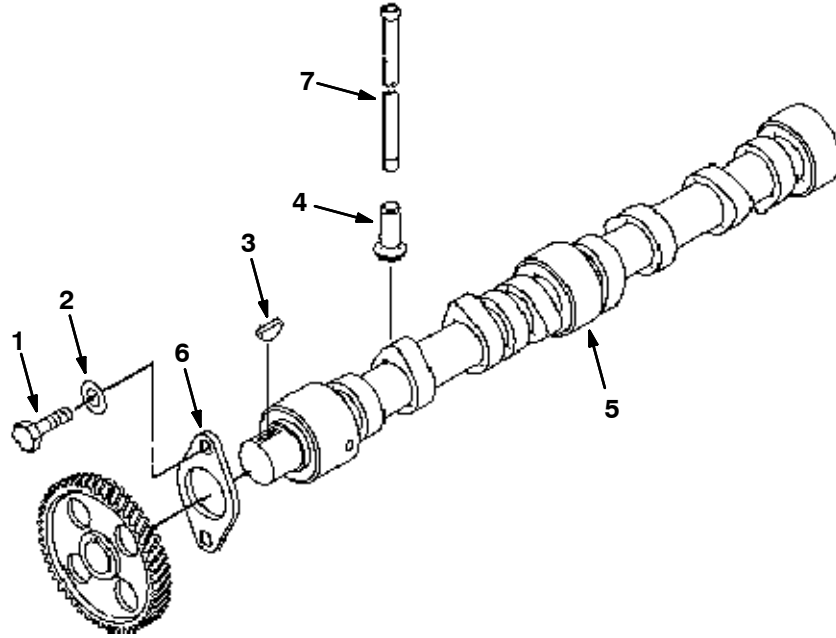


D

Ref.	Part No.	Description	Qty.	
1	372753	Retainer	8	
2	372754	Cap	8	
3	372767	Retainer	16	
4	39277	Screw, Hex, M8 X 1.25 X 25, 8.8	4	
5	39349	Washer, Flat, 0.31 Sae	4	
6	372755	Valve, Inlet	4	
7	372756	Valve, Exhaust	4	
8	372757	Spring, Valve	8	
9	372758	Seal	8	
▽	372760	Shaft Assy	1	
▲	10	372761	Cap	1
▲	11	372762	Ring, Snap	2
▲	12	372763	Arm, Rocker	8
▲	13	372764	Spring	3
▲	14	372765	Bracket	4
▲	15	372766	Bolt, Bracket	4



Fig. 5 - Camshaft Group



D

Ref.	Part No.	Description	Qty.
1	16735	Screw, Hex, M8 X 1.25 X 16mm	2
2	39349	Washer, Flat, 0.31 Sae	2
3	372691	Key	1
4	372692	Tappet	8
5	372693	Camshaft	1
6	372694	Plate, Thrust	1
7	372695	Rod, Push	8

Fig. 6 - Front Housing and Gear Group

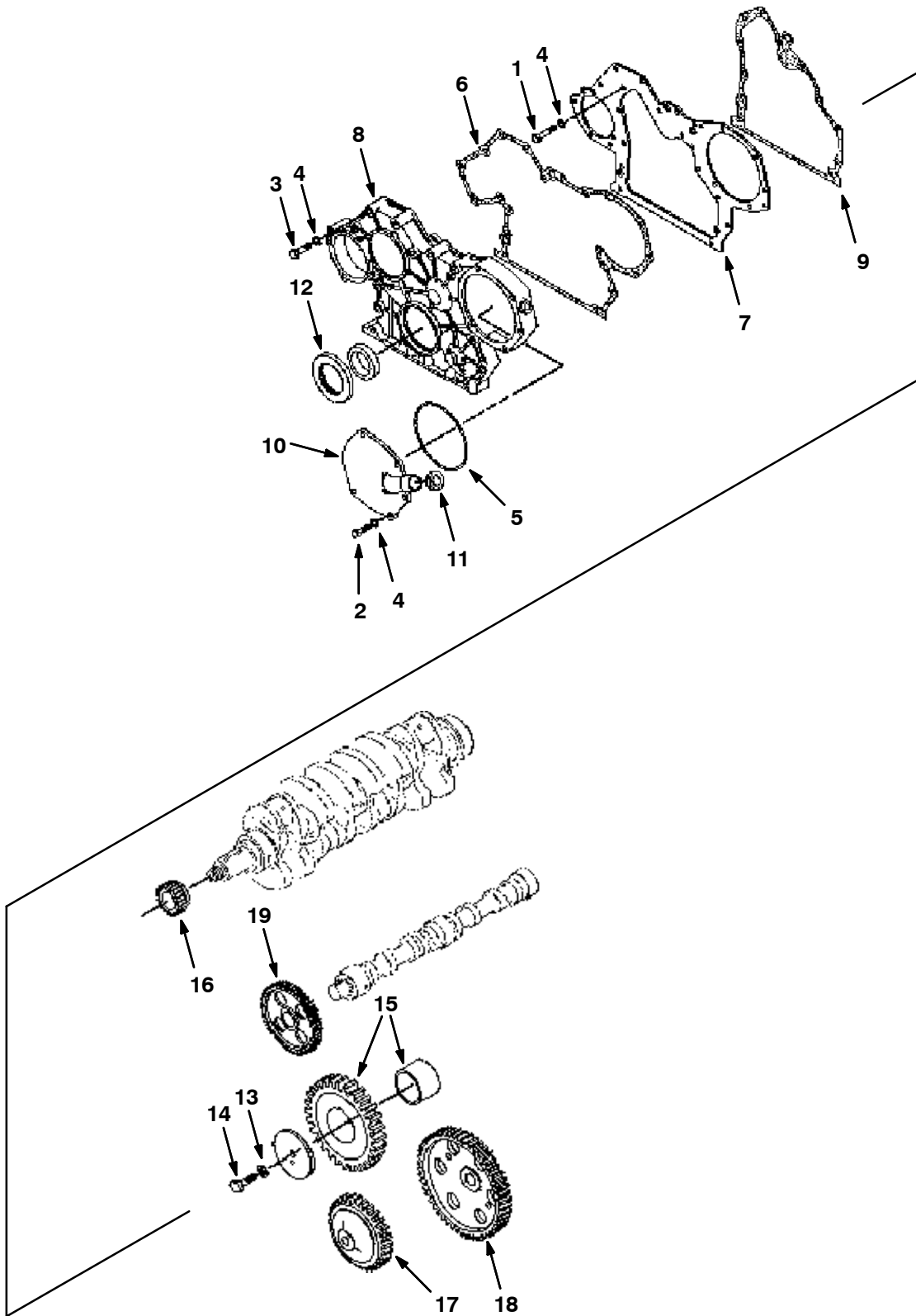
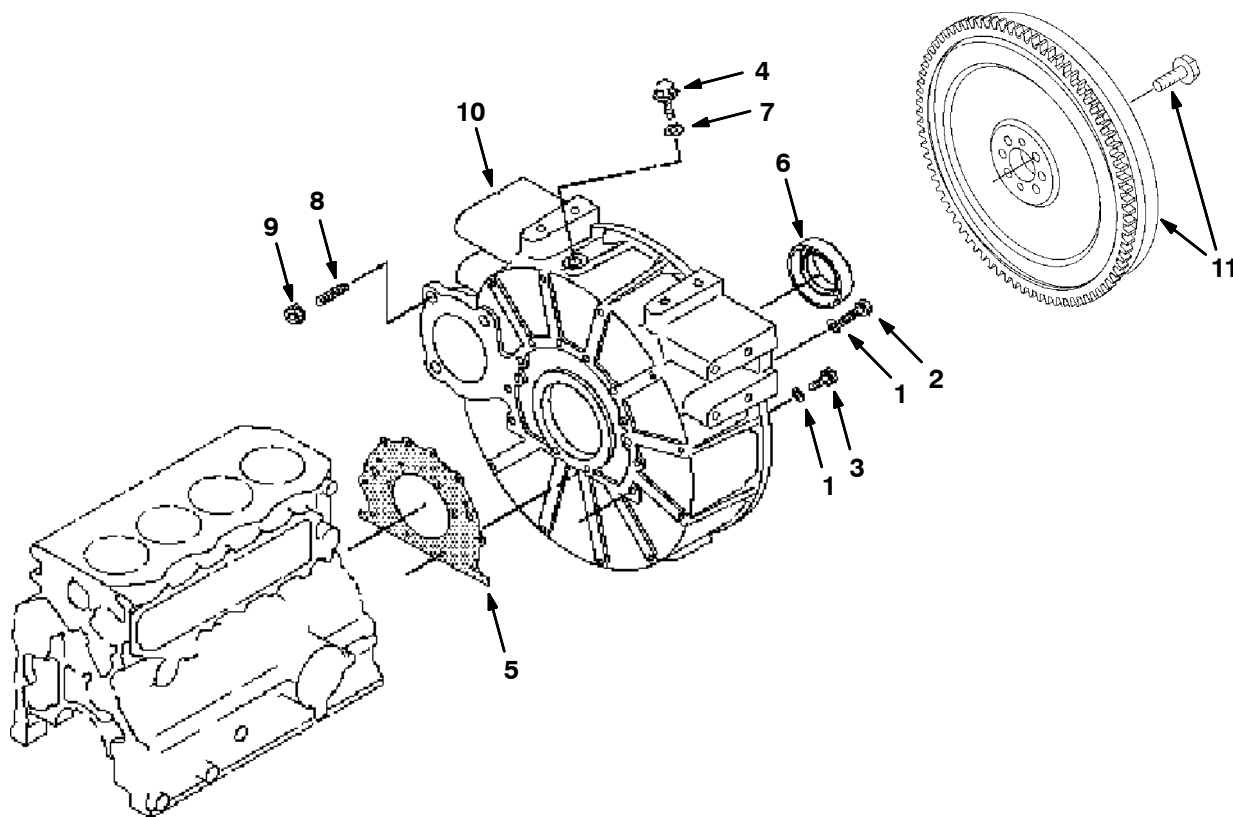


Fig. 6 - Front Housing and Gear Group

Ref.	Part No.	Description	Qty.
1	372788	Screw, Hex	5
2	16735	Screw, Hex, M8 X 1.25 X 16, 8.8	5
3	372789	Screw, Hex	13
4	39349	Washer, Flat, 0.31 Sae	23
5	372790	Seal, Org	1
6	372684	Gasket	1
7	372791	Plate	1
8	372792	Housing, Gear	1
9	372685	Gasket, Plate, Front	1
10	372793	Cover, Gear	1
11	372794	Cap, Filler	1
12	372795	Seal, Crank, Front	1
13	32492	Washer, Flat, 0.38 Std	1
14	06962	Screw, Hex, M10 X 1.5 X 45, 8.8	1
15	372775	Gear, Idler	1
16	372776	Gear	1
17	372777	Gear	1
18	372778	Gear	1
19	372779	Gear, Injection, Fuel	1

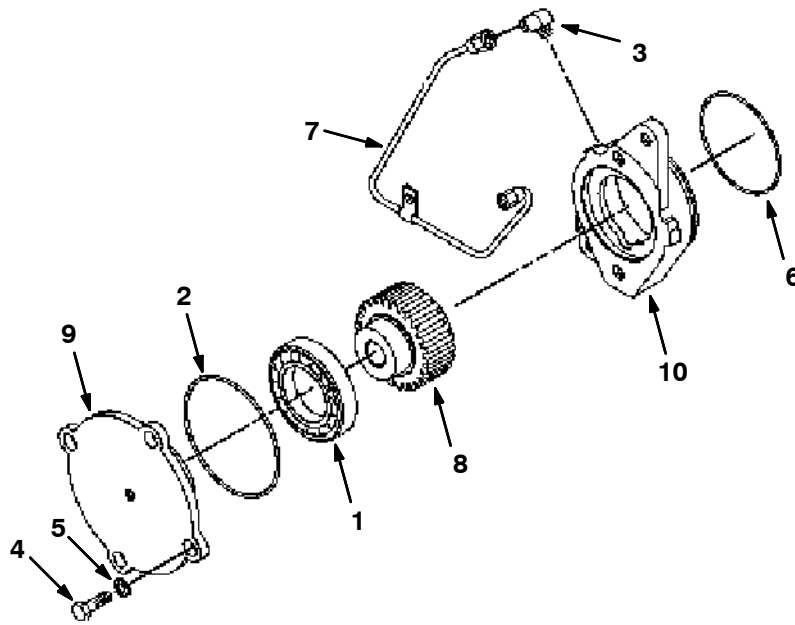
**Fig. 7 - Flywheel Housing and Starter Group**



D

Ref.	Part No.	Description	Qty.
1	32492	Washer, Flat, 0.38 Std	12
2	39283	Screw, Hex, M10 X 1.5 X 25, 8.8	10
3	03192	Screw, Hex, M10 X 1.5 X 30, 8.8	2
4	372732	Plug	1
5	372666	Gasket, Rear	1
6	372733	Seal	1
7	372667	Gasket	1
8	372734	Stud	3
9	372735	Nut	3
10	372736	Housing, Flywheel	1
11	372731	Flywheel	1
	372660	Starter	1

Fig. 8 - Auxiliary Drive Group



D

Ref.	Part No.	Description	Qty.
1	372780	Bearing, Ball	3
2	372781	Seal, Org	1
3	372782	Fitting, Elbow	2
4	16735	Screw, Hex, M8 X 1.25 X 16, 8.8	7
5	39349	Washer, Flat, 0.31 Sae	7
6	372783	Seal, Org	2
7	372784	Tube	1
8	372785	Gear [Power Take Off]	1
9	372786	Housing, Brg	2
10	372787	Housing, Brg	1

Fig. 9 - Oil Pan Group

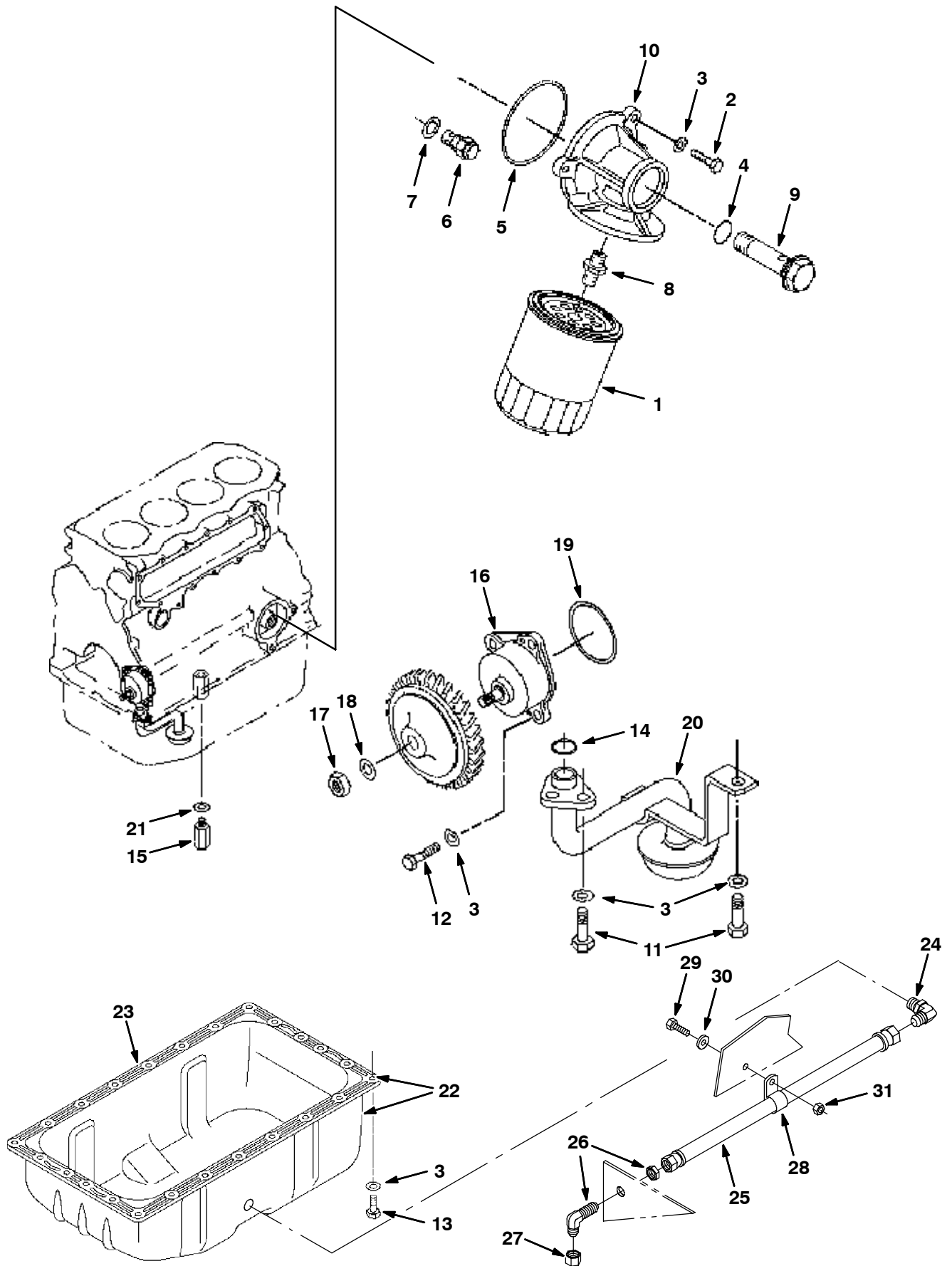
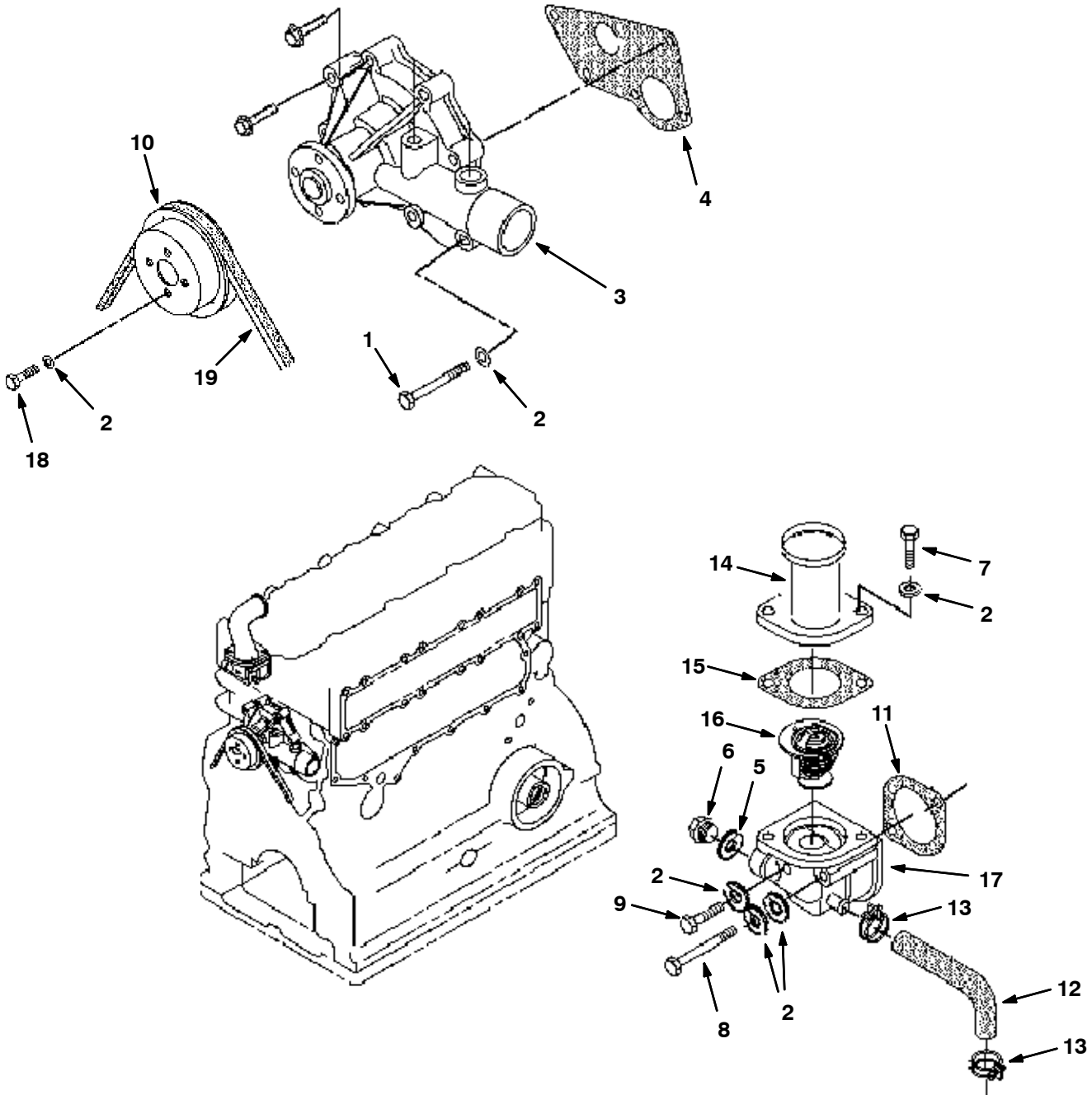


Fig. 9 - Oil Pan Group

Ref.	Part No.	Description	Qty.	
1	372654	Filter, Oil, Eng	1	
2	39277	Screw, Hex, M8 X 1.25 X 25, 8.8	1	
3	39349	Washer, Flat, 0.31 Sae	33	
4	372803	Seal, Org	1	
5	372804	Seal, Org	1	
6	372805	Valve, Relief	1	
7	372669	Gasket	1	
8	372806	Fitting, Str	1	
9	372807	Screw	1	
10	372808	Bracket	1	
11	16735	Screw, Hex, M8 X 1.25 X 16, 8.8	3	
12	16931	Screw, Hex, M8 X 1.25 X 20, 8.8	4	
13	16735	Screw, Hex, M8 X 1.25 X 16, 8.8	25	
14	372809	Seal, Org	1	
15	372810	Valve, Relief, Press, Eng Oil	1	
16	372768	Pump, Oil	1	
17	372769	Nut	1	
18	32492	Washer, Flat, 0.38 Std	1	
19	372770	Seal, Org	1	
20	372771	Strainer, Oil	1	
21	372670	Gasket	1	
▽	22	372800	Pan, Oil, W/ Gasket	1
▲		372801	Plug	1
▲	23	372668	Gasket	1
	24	371602	Fitting, Pipe, E90, .75-16	1
	25	371603	Hose, Oil Drain	1
	26	371604	Fitting	1
	27	60090	Fitting, Hyd, Cap Jf08	1
	28	82829	Clamp, Cable, Stl, 0.63d X 0.75w, 1h	1
	29	42370	Screw, Hex, .31-18 X 1.25, Ss	1
	30	01685	Washer, Flt, .31 Ss	1
	31	41437	Nut, Hex, Lock, .31-18, NI, Ss	1

Fig. 10 - Water Pump and Thermostat Group





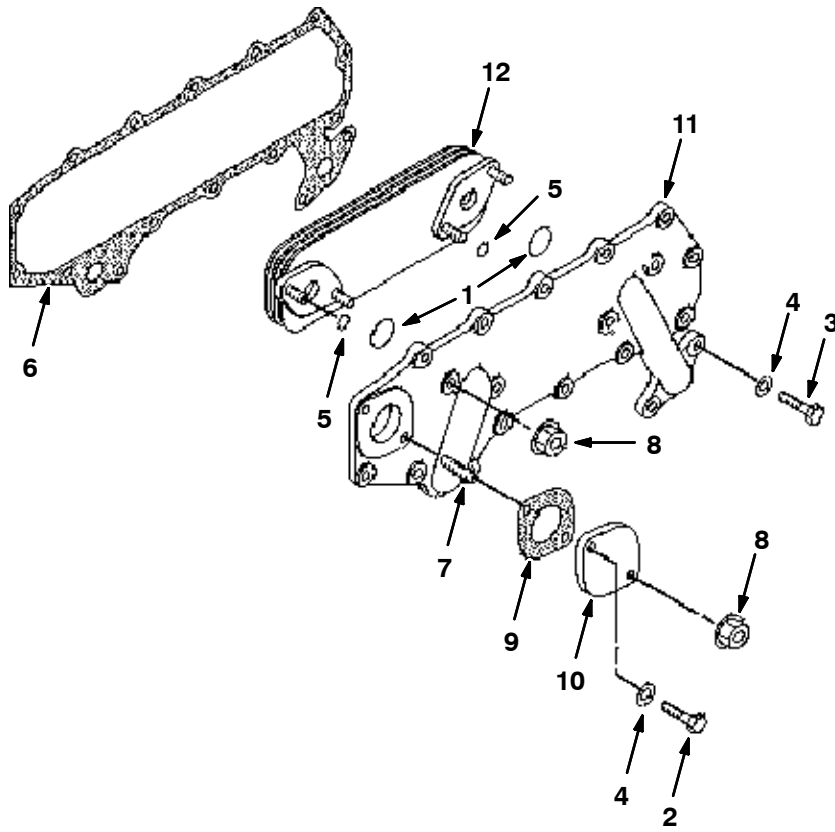
**Fig. 10 - Water Pump and Thermostat Group**

<b>Ref.</b>	<b>Part No.</b>	<b>Description</b>	<b>Qty.</b>
1	06956	Screw, Hex, M8 X 1.25 X 45mm	5
2	39349	Washer, Flat, 0.31 Sae	14
3	372832	① Pump, Water	1
3	9003796	② Pump, Water	1
4	372676	Gasket	1
5	372667	Gasket	2
6	372732	Plug	2
7	39277	Screw, Hex, M8 X 1.25 X 25, 8.8	2
8	06958	Screw, Hex, M8 X 1.25 X 80, 8.8	1
9	06956	Screw, Hex, M8 X 1.25 X 45, 8.8	1
10	372802	Pulley	1
11	372673	Gasket	1
12	372686	① Hose	1
12	9004033	② Hose	1
13	372812	① Clamp, Hose	2
13	9004034	② Clamp, Hose	2
14	372813	Cover, Thermostat	1
15	372674	Gasket, Coolant	1
16	372814	Thermostat, Coolant	1
17	372815	① Regulator, Temp, Coolant	1
17	9004035	② Regulator, Temp, Coolant	1
18	372853	Screw, Hex, M8 X 1.25 X 14mm	4
19	372653	Belt, Pump, Water	1

① Engine Serial number (00000000-34400832)

② Engine Serial number (34400833- )

Fig. 11 - Cooler Group



**Fig. 11 - Cooler Group**

<b>Ref.</b>	<b>Part No.</b>	<b>Description</b>	<b>Qty.</b>
1	372825	Seal, Org	2
2	76570	Screw, Hex, M8 X 1.25 X 30, 8.8	1
3	39277	Screw, Hex, M8 X 1.25 X 25, 8.8	11
4	39349	Washer, Flat, 0.31 Sae	12
5	372826	Seal, Org	4
6	372671	Gasket, Cover, Side	1
7	372827	Stud	1
8	372828	Nut	5
9	372672	Gasket, Heater, Water	1
10	372829	Cover	1
11	372830	Cover	1
12	372831	Cooler	1

Fig. 12 - Manifold Group

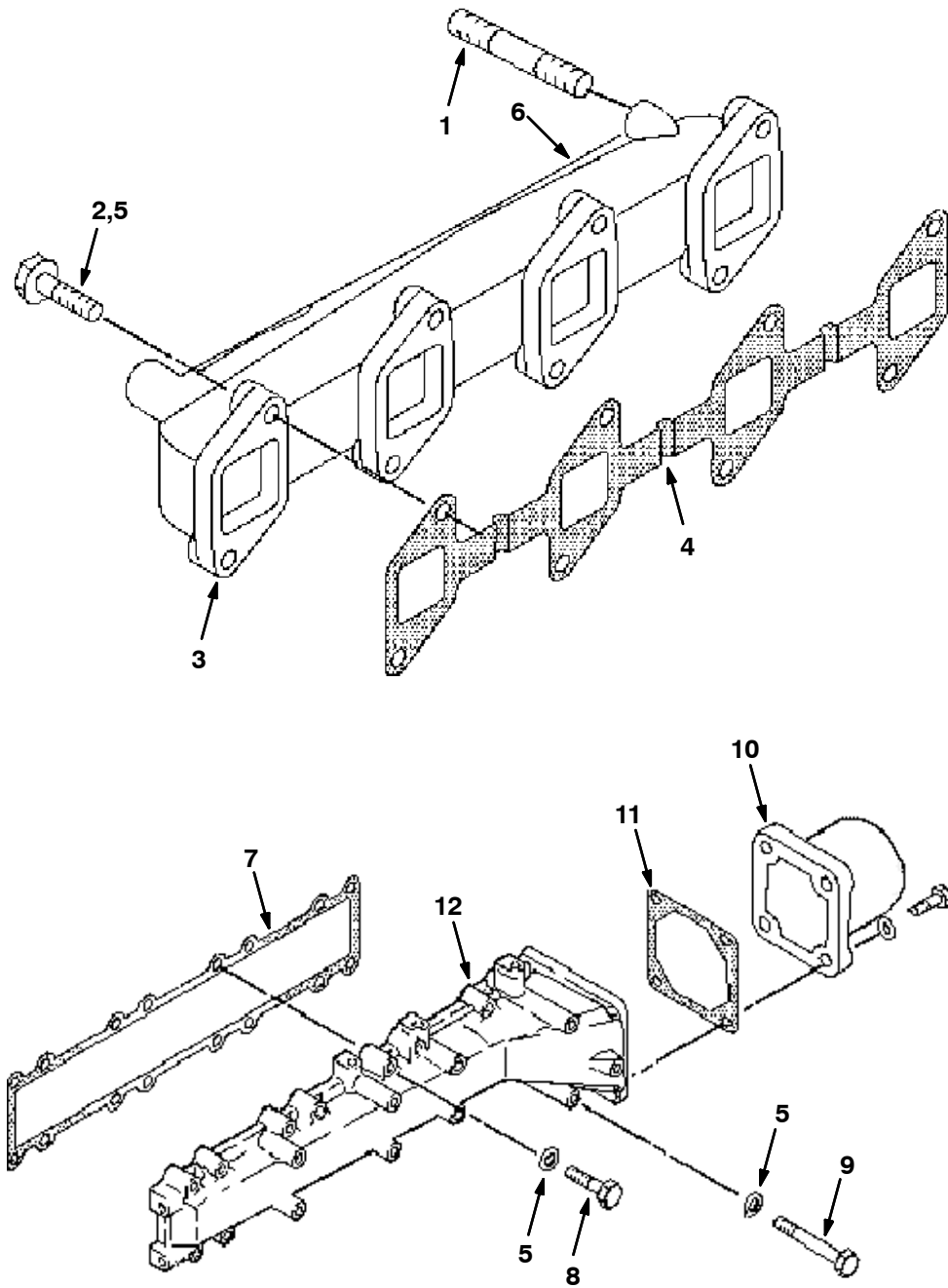
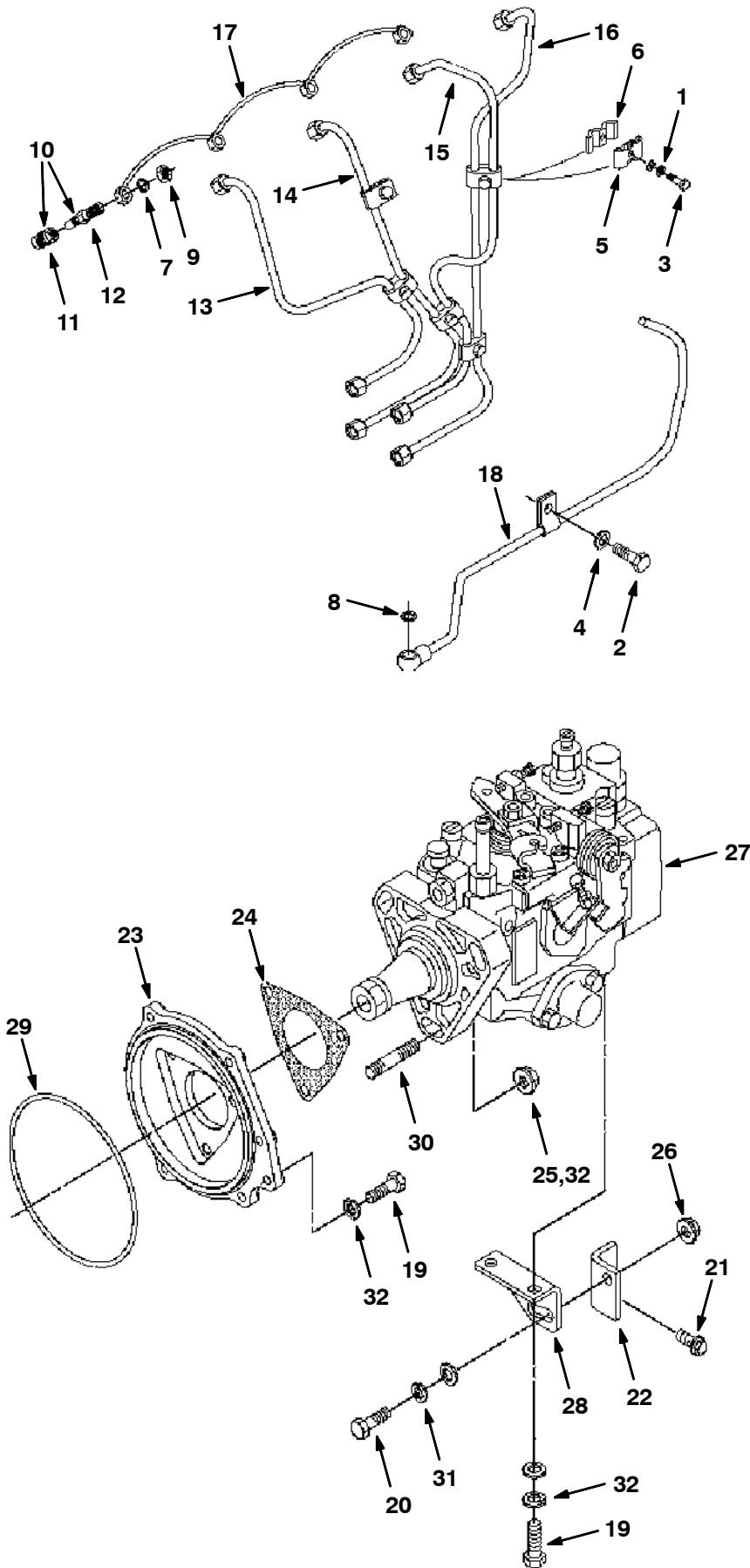


Fig. 12 - Manifold Group

Ref.	Part No.	Description	Qty.
1	372661	Stud	4
2	372662	Screw, Hex	8
3	372663	Manifold, Exhaust	1
4	372677	Gasket, Manifold	1
5	39349	Washer, Flat, 0.31 Sae	26
6	372678	Gasket, Exhaust	1
7	372679	Gasket	1
8	39281	Screw, Hex, M8 X 1.25 X 90, 8.8	2
9	41342	Screw, Hex, M8 X 1.25 X 40, 8.8	14
10	372817	Fitting, Elbow	1
11	372680	Gasket	1
12	372816	Manifold, Inlet	1

Fig. 13 - Fuel Group



**Fig. 13 - Fuel Group**

<b>Ref.</b>	<b>Part No.</b>	<b>Description</b>	<b>Qty.</b>	
1	32483	Washer, 7.2mm X 14.5mm X 2mm	3	
2	16735	Screw, Hex, M8 X 1.25 X 16, 8.8	1	
3	06944	Screw, Hex, M6 X 1.0 X 25, 8.8	3	
4	39349	Washer, Flat, 0.31 Sae	1	
5	372841	Clamp	3	
6	372842	Clamp	3	
7	372681	Gasket	4	
8	372682	Gasket	4	
9	372843	Nut	4	
∇	10	372844	Nozzle Assy	1
▲	11	372845	Mount, Nozzle	4
▲	12	372852	Cap, Nozzle	4
	13	372846	Fueline, Cyl #1	1
	14	372847	Fueline, Cyl #2	1
	15	372848	Fueline, Cyl #3	1
	16	372849	Fueline, Cyl #4	1
	17	372850	Fueline, Bleeder	1
	18	372851	Fueline, Return	1
	19	16931	Screw, Hex, M8 X 1.25 X 20, 8.8	1
	20	06961	Screw, Hex, M10 X 1.5 X 20, 8.8	2
	21	372834	Screw, Hex	1
	22	372835	Bracket	1
	23	372836	Flange	1
	24	372683	Gasket	1
	25	372854	Nut, Hex, M8 X 1.25	3
	26	372735	Nut	1
	27	372837	Pump, Injection, Fuel	1
	28	372838	Retainer	1
	29	372839	Seal, Org	1
	30	372840	Stud	3
	31	32492	Washer, Flat, 0.38 Std	2
	32	39349	Washer, Flat, 0.31 Sae	4

Fig. 14 - Fumes Disposal Group

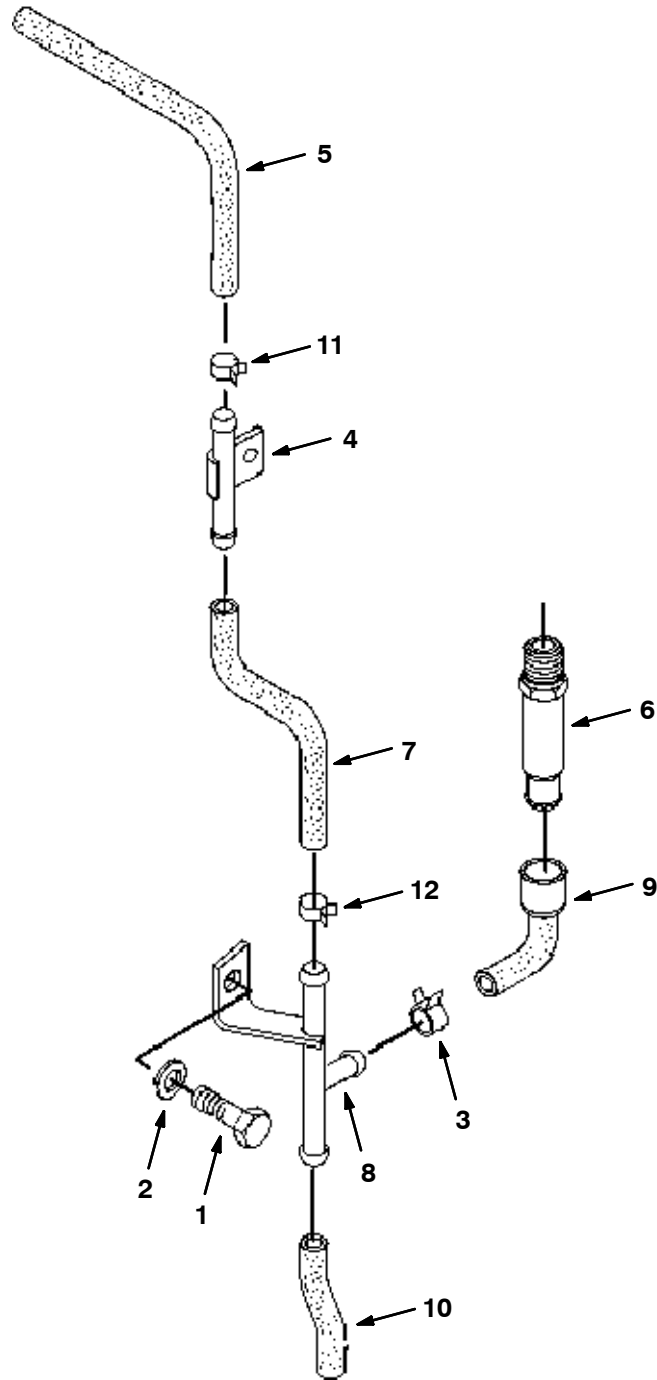
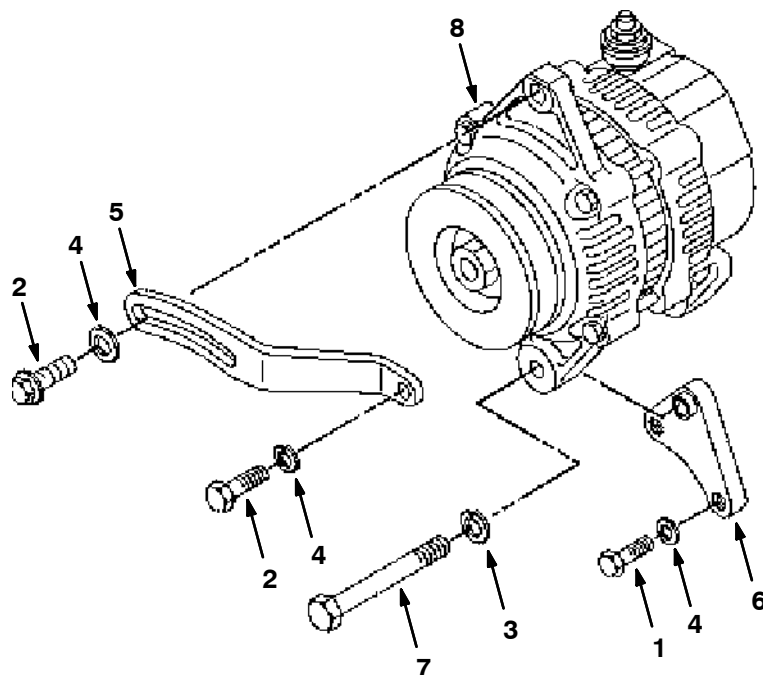




Fig. 14 - Fumes Disposal Group

Ref.	Part No.	Description	Qty.
1	39277	Screw, Hex, M8 X 1.25 X 25mm	1
2	39349	Washer, Flat, 0.31 Sae	1
3	372819	Clip	6
4	372820	Pipe	1
5	372687	Hose, Breather	1
6	372821	Valve, Shutoff	1
7	372688	Hose, Breather	1
8	372822	Pipe, Breather	1
9	372689	Hose, Breather	1
10	372690	Hose, Breather	1
11	372823	Clip	1
12	372824	Clip	1

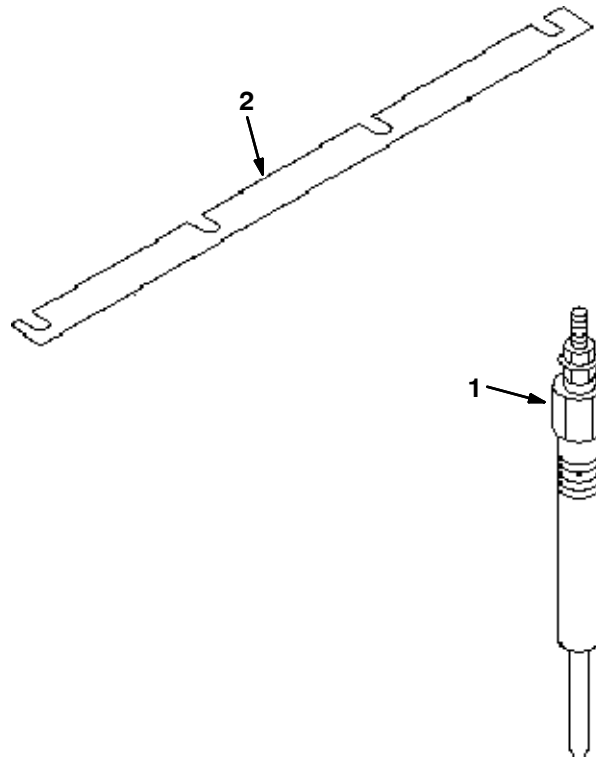
**Fig. 15 - Alternator Group**



D

Ref.	Part No.	Description	Qty.
1	39277	Screw, Hex, M8 X 1.25 X 25mm	1
2	16931	Screw, Hex, M8 X 1.25 X 20, 8.8	2
3	372655	Washer	1
4	39349	Washer, Flat, 0.31 Sae	3
5	372656	Plate, Adj	1
6	372657	Plate	1
7	372658	Screw, Hex	1
8	372659	Alternator	1

Fig. 16 - Glow Plug Group



Ref.	Part No.	Description	Qty.	D
1	372772	Glow Plug	4	
2	372773	Plate	1	



# SECTION 17

**CONTENTS**

**PAGE**

PART NUMBER TO PAGE NUMBER CROSS REFERENCE LIST ..... 17-2  
PART DESCRIPTION TO PAGE NUMBER CROSS REFERENCE LIST ..... 17-21

# CROSS REFERENCE

## PART NUMBER TO PAGE NUMBER CROSS REFERENCE LIST

Part Number	Page Number	Part Number	Page Number	Part Number	Page Number
IB3614	10-32, 10-33	02456	6-3	04597	9-18
MM283	9-20	02457	6-3	04598	9-18
SK1288	10-31	02460	6-3	04601	6-85, 6-87, 8-17, 8-19
SK1444	7-3	02462	6-3	04733-12	6-17
SK2222	6-43	02464	6-161	05880	6-63, 6-65, 8-13, 8-15
SK2223	6-42	02468	6-135	06223	6-4
SK2586	10-4	02469	6-135	06229	6-4
TM27A0610	13-7	02506-6	9-15	06279	6-17
TM27I00306	13-8	02519	10-27	06332	6-4
TM27I00313	13-8	02520	10-27	06418	6-17, 6-28, 6-29, 6-161
TM27I05120	13-8	02536	10-27	06507	6-45, 6-47, 7-3, 8-3, 8-5
TM27I05130	13-8	02543	6-140	06573	6-27, 6-31
TM27K00304	13-16	02586	6-25	06750	6-145
TM27L06020	13-11	02589	6-17	06843	6-43
TM27L06030	13-11	02597	6-163	06844	6-43
TMD27A00205	13-7	02683	6-137, 8-43	06845	6-161
TMD27A00507	13-7	02742	11-16	06846	6-161
TMD27B00502	13-3	02817	6-25	06942	8-9
TMD27B05003	13-12	02818	6-25	06943	6-33, 6-75
TMD27F00214	13-5	02819	6-25	06944	16-23
TMD27F00305	13-5	02938	6-128	06948	6-61
TMD27H00503	13-8	02984	6-28, 6-29	06949	6-91
TMD27U01001	13-7	02994	6-159	06956	16-17
TMD27U01002	13-7	02997	6-15	06958	16-17
TMD27U02001	13-12	03026	6-81, 6-83, 7-21, 8-29, 8-31	06961	16-23
X00101B	13-16	03192	8-7, 16-12	06962	16-11
X00110	13-3	03233	6-45, 8-3	06968	8-7
X02544	13-8	03292B	9-9	07259	6-161
X07823	13-12	03391	6-163	07422	6-125, 6-128, 9-3
X12393	13-5	03393	6-163, 6-167	07423	6-125
X12489	13-5	03395	9-18	07471	7-5, 7-7
X14134	13-5	03401	6-163	07484	6-25
X26129	13-3	03402	6-21, 6-25	07592	6-51, 6-53, 6-55
X26138	13-5	03404	6-167	07791	6-47, 6-49, 6-53, 6-69, 7-5
XM38003054	13-5	03408	9-18	07875	6-85, 6-87, 8-17, 8-19
00500-15	10-21, 10-24	03409	9-18	07934	6-141, 6-146, 8-46
00500-20	6-27, 6-31	03556	6-67, 6-69	08099	6-161
00500-5	6-45, 8-3	03706	6-165	08100	6-161
00911	6-157, 8-67	03711	10-2	08174	6-17
00954	10-32	03823	6-165, 9-13	08175	6-169
00960	10-33	03922	6-157, 6-159, 8-67	08178	8-9
00966	6-157, 8-67	03977	6-85, 6-87, 8-17, 8-19	08298	6-161
01433-1	6-3, 6-4	03992	9-8	08329	6-37
01666	10-28	04020	6-85, 6-87, 6-89, 6-91, 8-17, 8-19, 8-21	08708	6-73, 6-75, 6-91, 8-9, 8-25
01668	10-28	04048	6-37	08709	6-75
01685	6-70, 8-11, 16-15	04185	10-27	08791	6-25
01686	6-21, 6-27, 6-169	04198	10-27	08891	6-45, 8-2
01692	6-21	04210	6-37	08892	6-45, 8-3
01736	6-9, 6-13	04414	6-49	09088	6-42
01818	10-28	04431	6-161, 10-30	09164	6-73, 8-25
01844	8-3	04477	10-30	09294	8-27
02076	8-3	04499	10-30		
02182	6-87	04525	10-27		
02247	7-11	04595	9-18		
02430	10-3				
02431	6-125, 6-127, 7-23, 8-65				
02446	6-25				

## CROSS REFERENCE

Part Number	Page Number	Part Number	Page Number	Part Number	Page Number
09311	6-157, 8-67	1012738	8-21	1016465	6-139
09314	6-157, 8-67	1013030	6-89	1016466	6-139
09384	9-6	1013031	6-67, 6-69	1016467	6-139
09626	6-169	1013086	6-89, 6-91	1016468	6-139
09725	6-78, 6-79	1013129	6-11	1016469	6-139
09819	11-18	1013334	8-31	1016471	6-139
09837	6-3, 11-18	1013350	6-59	1016472	6-139
09852	11-18	1013367	8-31	1016484	6-139
09857	11-18	1013509	6-91	1016771	6-142, 6-148
09861	11-18	1013590	6-67, 6-69, 8-15	1016827	8-21
09867	11-18	10143	6-92	1017126	6-4, 8-21
09877	11-19	1014394	6-75, 8-27	1017203	6-67
09890	11-18	1014411	6-49	1017231	6-11
09891	11-18	1014490	6-75	1017239	7-11
09905	6-165	1014573	6-75, 8-27	1017241	6-67, 6-69
09910	11-18	1014595	6-89	1017272	7-11
1007162	6-53	1014685	6-49	1017358	6-13
1008094	6-53, 6-55	1014712	6-83, 7-21	1017432	7-11
1008142	6-25	1014769	6-67	1017442	6-11
1008511	6-53	1014774	6-67	1017469	10-37
1008513	6-53	1014828	6-67	1017476	7-11
1008538	6-55	10149	6-169	1017500	7-11
1008894	6-9, 6-171	1014956	6-148, 10-19	1017573	6-13
1008988	6-89	1014972	6-49	1017594	6-11
10100	13-7, 14-7	1014988	6-49	1017598	7-11
1010537	6-161	10150	6-169	1017600	6-13
1010735	8-7	1015018	6-151	1017662	7-11
1010738	8-7	1015034	6-159	1017731	6-13
1010739	8-7	1015035	6-159	1017734	6-13
1010843	8-7	1015264	6-75	1017736	6-13
1011002	8-27	1015307	6-153	1017819	7-11
1011107	6-89, 6-91	1015313	6-142	1018449	6-13
1011216	6-67, 6-69	1015338	6-41, 8-39	1018451	6-13
1011259	6-67	1015379	6-127, 7-23, 8-65	1018573	6-49
1011676	8-7	1015389	6-127, 7-23, 8-65	1019271	6-33
10117	11-9	1015430	6-11	1019272	6-75, 10-33
1011701	8-7	1015467	6-159	1020194	6-153, 10-35
1011727	8-67	1015473	6-159	1020434	6-171
1011780	6-83, 7-21	1015517	6-11	1020891	6-75
1011895	6-89, 6-91	1015633	6-67	1023322	6-159, 10-32
1011899	6-83, 7-21	1015638	6-67, 6-69	1025278	6-77
1011916	8-21	1015762	8-7	1028058	6-17, 6-169
1011917	8-21	1015770	8-31	1028558	6-69
1011973	8-7	1015815	6-89	1028559	6-69
1011980	6-89	1015821	6-67	1028924	6-91
10120	6-42	1015850	6-159	1029293	6-91
1012112	6-89, 8-21	1015933	6-4, 6-151	1029295	6-91
1012146	8-15	1015991	6-153	1029334	6-49
1012147	8-27	1015996	6-159	1029649	6-55
1012148	8-27	1016010	6-145, 8-45	1030272	6-49
1012149	8-31	1016044	6-11	1030485	6-91
1012185	6-127, 7-23	1016121	6-75	1030533	6-69
1012192	8-7	1016171	6-83, 7-21, 8-31	1030635	6-55
1012248	6-89	1016383	8-7	1032382	6-70
1012314	6-89	1016408	6-153	1032391	6-69
1012469	6-89	1016456	6-139	1032477	6-69
1012677	6-89	1016459	6-139	1032569	6-69
1012719	6-49	1016460	6-139	1032757	7-21
1012720	6-49	1016462	6-139	1032774	6-69
1012721	8-31	1016464	6-139	1032778	6-69

# CROSS REFERENCE

Part Number	Page Number	Part Number	Page Number	Part Number	Page Number
1032804	6-61	13113	6-137	16550	8-3
1032805	7-16	13124	6-83, 7-21	16551	8-2
1032812	6-91	13248	6-159	16552	8-3
1032815	6-75	13611	6-161	16556	8-3
1032823	6-69	13907	10-7, 10-11	16557	8-3
1032912	6-91	13959	9-3	16562	6-87, 8-17
1032936	6-91	14131	6-85, 6-87, 8-17, 8-19	16563	6-87, 8-17, 8-19
1032944	6-91	14330	6-43	16667	6-125
1033344	6-75	14331	6-43	16669	6-15
1033497	6-75	14332	6-161, 8-28, 9-11, 9-13	16695	10-21, 10-24
1033746	6-91	14595-1	8-2	16706	13-5, 14-5
1033897	6-89, 6-91, 8-21	14601	6-44, 8-3	16707	13-5
1033899	6-91	14605	6-143, 6-145, 8-2, 8-9, 8-45	16710	13-5
1034105	6-49	14700	6-32, 8-37	16711	13-5
1035814	6-75	14700-1	6-32, 8-37	16712	13-5
1035837	6-75	14700-2	6-32, 8-37	16713	8-17
1037311	7-17	14700-3	6-32, 8-37	16735	6-53, 7-3, 8-15, 16-9, 16-11, 16-13, 16-15, 16-23
1037312	7-17	14700-4	6-32, 8-37	16738	6-78, 6-79
1037313	7-17	14854	6-39	16739	13-5
10392	9-20	14877	6-25, 6-163	16820	6-71, 8-23
10464	6-157, 8-67	150516	7-11	16848	8-32
10488	7-18, 7-19	15331	6-161	16851	11-12, 13-13, 14-13
10509	6-78, 6-79, 6-81, 7-18, 7-19, 8-29	15398	6-17	16852	11-12, 13-13, 14-13
10576	6-75, 8-27	15543	6-78, 6-79, 6-81, 6-83, 7-19, 7-21, 8-29	16853	6-3, 11-17, 13-18
10632-1	6-140	15543-2	6-79, 7-18, 7-19	16855	13-13, 14-13
10632-12	6-9	15555-1	6-87	16865	11-12
10632-19	6-23, 9-3	15555-2	8-21	16928	6-168
10632-5	9-6	15675	6-159	16930	8-22
10664	6-150, 8-48	15724	7-7, 9-8	16931	6-159, 8-3, 8-21, 16-7, 16-15, 16-23, 16-26
10701	9-3, 9-4, 9-5, 9-6	15785	8-3	16933	8-3
10754	7-3	15806	8-3	16936	8-34
10756	7-3, 7-5, 7-7	16143	11-12, 13-13	16949	6-11, 6-13, 6-127, 7-23, 8-19, 8-65
10829	6-32, 8-37	16147	13-13	16950	8-19
10830	6-61, 7-17	16153	11-5, 13-7, 14-7	16953	6-11, 6-145, 8-45
10831	6-47, 6-49	16174	13-13	17269	6-32, 8-37
11048	6-17	16387	6-57, 6-59	17980	6-27, 6-31
11399	6-25, 6-57, 6-70, 6-73, 6-163, 7-9, 7-11, 8-25, 9-16	16400	6-157, 8-67	18595	6-163
11442-1	7-3, 7-5, 7-7	16411	6-5	19048	6-85, 6-87
11442-7	6-25	16412	6-5	19064	6-13
11442-8	6-25	16418	9-5, 9-6	19065	6-127, 7-23, 8-65
11476	6-21, 6-23	16419	9-5, 9-6	19066	8-9
11531	6-3, 6-4, 6-71, 6-165, 8-23, 8-27	16420	9-5, 9-6	19309	6-13
11716	6-17	16421	9-5	19310	6-127, 6-128, 7-23, 8-65
11870	6-25	16422	9-5, 9-6	19311	6-47, 6-49
11893	6-92, 8-35	16423	9-5, 9-6	19312	6-61, 7-17
11979	6-45, 6-47, 8-5	16440	6-128	19313	8-34
11984	6-81, 6-83, 7-21, 8-29, 8-31	16456	6-143, 8-45	19315	6-47, 6-49, 6-61, 6-127, 7-17, 7-23, 8-65
12072	6-25	16472	8-11	19316	6-75, 6-127, 7-23, 8-21, 8-27, 8-65
12074	6-25	16485	6-163, 10-3	19317	6-11, 6-13, 6-61, 7-17
12784	11-8, 13-9, 14-9	16490	6-44, 8-3	19321	6-13
12959	6-63, 6-65, 8-13, 8-15	16496	6-63, 8-3		
13015	6-92, 8-35	16497	8-28		
13015-1	8-34	16499	8-3		
13016	6-92, 8-35	16511	9-5		
		16513	9-4		



# CROSS REFERENCE

Part Number	Page Number	Part Number	Page Number	Part Number	Page Number
19572	6-153	24594	6-13	27979	6-11, 6-67, 6-73,
19659	6-161	24698	8-5, 8-7		6-89, 6-91, 7-7,
20021	6-44, 6-169	24924	6-78, 6-79		8-19, 8-25
20177	6-53, 6-55	24928-1	7-3, 7-5, 7-7, 9-14	27980	6-11, 6-61, 6-73,
20983	6-73, 8-25	24929	7-5		6-145, 6-157, 7-17,
21194	6-11	25014	6-42, 6-47, 6-65,		8-19, 8-25, 8-45,
21195	6-51, 6-53, 6-55,		6-67, 6-69		8-67
	6-145, 6-151,	25046	6-41, 6-75, 8-27	27981	6-11, 6-73, 8-25
	6-159, 8-45	25047	6-61, 7-16	27988	6-51, 6-67, 6-69,
21197	6-11, 6-49, 6-53	25048	6-145, 8-45		6-77
21198	6-11, 6-49, 6-73,	25179	6-71, 8-23	27989	6-55
	6-77, 8-13, 8-19,	25180	6-45	27990	6-55
	8-25	25181	6-117	27991	6-49, 6-53
21298	6-4, 6-87	25182	6-117	28835	10-21
21639	9-3	25186	6-8, 6-11	29035	6-25
21690	6-125	25189	6-157, 8-67	29192	9-3
21693	6-125	25195	6-28	29558	6-19
21726	6-63, 6-65, 8-13,	25207	6-157, 8-67	29831-6	6-92
	8-15	25212	6-157, 8-67	29832-7	6-45, 8-5
21782	11-8, 13-9, 14-9	25216	6-157, 8-67	30035	11-15, 14-16
21796	15-3, 15-29	25217	6-44	30036	11-16, 13-17, 14-17
21909	10-17	25218	6-44	30065	11-9
21910	10-17	25219	6-17	310580	8-34
21911	10-17	25220	6-17	311828	7-11
21912	10-15, 10-17	25312	9-15	31260	6-25
21913	10-17	25359	6-157, 8-67	31354	10-21, 10-24
21914	10-15, 10-17	25360	6-165	31377	10-21, 10-24
22134	6-39, 6-41, 8-39	25364	6-157, 8-67	31382	10-21, 10-24
222227	7-7	25365	6-157, 8-67	31556	6-140, 10-29
22290	6-39, 6-41, 8-39	25373	6-157, 8-67	31557	6-141, 8-46
22297	6-3, 6-4, 6-18,	25383	6-157, 8-67	31559	6-141, 6-142, 8-46
	6-28, 6-29, 6-78,	25384	6-157, 8-67	31565	6-135, 6-137,
	6-79, 6-81, 6-83,	25610	6-89		6-139, 8-43
	7-18, 7-19, 7-21,	25632	6-157, 8-67	31570	6-135, 6-137,
	8-29, 8-31	25636	6-157, 8-67		6-139, 8-43
22308-1	7-3	25637	6-157, 8-67	31572	6-149
22309	6-47, 7-3	25639	6-157, 8-67	31575	6-143, 6-145, 8-45,
22604	6-140, 10-23	25640	6-157, 8-67		10-27
22640	9-4	25649	6-3, 6-4, 6-167	31592	6-71
22673	10-35	25659	6-39	31593	6-149
23191	6-18	25821	6-159	31597	6-135, 6-137,
23498	6-3, 6-4, 6-157,	26156	6-18		6-139, 8-43
	6-159, 6-165,	26315	6-43	31598	6-135, 6-137, 8-43
	6-167, 8-67	26496	7-3, 7-5, 7-7	31599	6-141, 8-46
23515	6-25	26509	6-78, 6-79	31600	6-135, 6-137,
23563	6-25	26523	6-125, 6-127, 7-23,		6-139, 8-43
23999-8	6-45		8-65	31602	6-135, 6-137,
24012	6-67, 6-69	26565	6-17, 6-25, 6-44,		6-139, 8-43
24012-1	6-63, 6-65, 8-13,		6-143, 6-145,	31603	6-135, 6-137,
	8-15		6-154, 8-45		6-139, 8-43
24047	7-3, 7-5, 7-7	26663	6-43	31605	6-27, 6-31
24142	9-3	27048	6-87, 7-3, 7-5, 7-7,	31606	6-135
24227	9-3		7-11	31608	6-135
24298	9-3	27474	6-9, 6-171	31610	6-135, 6-137, 8-43
24339	6-34	27773	9-16	31611	6-135, 6-137, 8-43
24427	9-3	27774	6-135, 6-137,	31612	6-135
24576	9-4		6-139, 8-43	31613	6-141, 6-142, 8-46
24576-1	9-4	27792	6-27, 6-31, 10-21	31632	6-143
24584	7-3	27978	6-11, 6-13, 6-41,	31634	6-23
24593	6-9, 6-11		6-75, 8-21, 8-27	31638	10-29

# CROSS REFERENCE

Part Number	Page Number	Part Number	Page Number	Part Number	Page Number
31639	10-29	32761	6-143, 6-145, 8-45,	34375	9-8
31642	10-27		10-28	34380	6-135, 6-137,
31643	10-27	32798	6-128		6-139, 8-43
31668	6-8, 6-11	32808	8-17, 8-19	34387	6-135
31672	6-135, 6-137,	32814	8-3	34420	6-135
	6-139, 8-43	32826	9-3	34422	6-135
31703	6-165	32895	6-41	34429	11-14, 13-15, 14-15
31705	6-35	32975	6-13	34547	13-13
31940	14-7	32978	6-89, 6-91, 6-127,	34640	11-13, 13-14, 14-14
31942	13-3		7-23, 8-65	34726	6-3, 11-18
31943	13-3	32980	6-89, 6-91	34727	11-18
31944	11-3	32981	6-145, 8-21, 8-45	34749	11-16
31945	11-3	32983	6-13, 6-55, 6-65,	34752	11-15, 13-16, 14-16
31960	9-5		6-67, 6-69, 6-70,	34792	9-20
32117	6-8, 6-11, 6-155		6-83, 6-153, 7-21,	34796	11-13, 13-14, 14-14
32126	6-35, 6-37		8-11, 8-13, 8-15,	34797	11-16
32415	6-168		8-31	34798	11-16
32435	8-17, 8-19	32984	6-89, 6-91, 7-5,	34801	8-32
32436	8-17, 8-19		7-7, 8-21	34802	8-32, 8-33
32477	6-42	32985	6-49, 6-75, 6-168,	34803	8-32, 8-33
32483	6-11, 6-41, 6-47,		8-27	34804	8-32
	6-49, 6-69, 6-75,	32988	8-13	34805	6-45
	8-21, 16-23	330710	9-20	34810	6-125, 6-127, 7-23,
32485	6-41, 6-47, 6-51,	33327	6-163, 10-2		8-65
	6-53, 6-55, 6-77,	33510	6-169	34813	6-125, 6-127, 8-65
	8-13	33580	10-23	34820	6-127, 7-23, 8-65
32486	6-11, 6-21, 6-23,	33743	6-169	34833	6-45, 8-3
	6-147, 6-148	33744	6-169	34841	8-32, 8-33
32490	6-11, 6-61, 6-73,	33745	6-169	34866	8-32, 8-33
	6-75, 6-91, 6-127,	33746	6-169	34873	11-14, 13-15, 14-15
	7-17, 7-23, 8-9,	33747	6-169	34876	11-5, 13-7, 14-7
	8-25, 8-27, 8-65	33748	6-169	34877	6-45
32491	6-11, 6-13, 6-49,	33749	6-169	34880	7-3
	6-51, 6-55, 6-65,	33782	9-6	34881	7-3
	6-67, 6-69, 6-70,	33783	9-6	34908	6-63, 8-3
	6-73, 6-75, 6-83,	33843	11-19	34954	8-3
	6-89, 6-91, 7-5,	33848	11-19	34996	6-78, 6-79
	7-7, 7-21, 8-5,	33849	11-19	34997	6-78, 6-79
	8-11, 8-13, 8-15,	33850	11-19	35002	6-142
	8-19, 8-21, 8-22,	33855	11-18	35033	6-140, 6-147,
	8-25, 8-27, 8-31,	34065	6-45, 8-3		6-154, 8-47
	8-34, 16-7	34092	10-4	35586	6-75, 6-140
32492	6-11, 6-47, 6-49,	34094	10-4	35756	6-53, 6-55
	6-65, 6-69, 6-73,	34097	10-4	35980	8-7
	6-159, 6-169, 8-7,	34158	10-4	36050	6-4, 8-19
	8-13, 8-15, 8-25,	34159	10-4, 10-9, 10-13	36050AM	6-87
	16-11, 16-12,	34160	10-4	360936	7-7
	16-15, 16-23	34161	10-4	36328	6-28, 6-29, 6-153,
32493	6-27, 6-31, 6-49,	34162	10-4		6-169
	6-73, 6-75, 6-168,	34178	10-23	363992	6-123, 8-63
	8-7, 8-25, 8-27	34179	10-23	36417	6-45, 8-2
32517	6-127, 7-23, 8-65	34189	11-18	36466	6-169
32524	6-17	34193	11-18	365356	6-75, 8-27
32552	6-45, 6-47, 8-5	34194	6-45, 8-3	36644	6-165, 6-167
32575	6-9	34297	11-18	367108	6-33
32580	6-9, 6-13	34310	6-146, 10-4	368132	6-73, 6-75, 8-25,
32587	6-87, 8-17, 8-19	34312	6-11		8-27
32590	6-87, 8-17, 8-19	34351	6-135, 6-137, 8-43	36829	6-154
32724	6-161	34359	6-17	36845	6-159
32759	6-143, 6-145, 8-45	34365	8-11	369000	15-25

# CROSS REFERENCE

Part Number	Page Number	Part Number	Page Number	Part Number	Page Number
369001	15-15	369157	15-13	369226	15-17
369002	15-9	369158	15-15	369227	15-23, 15-28
369003	15-23	369159	15-7	369228	15-7, 15-28
369004	15-11	369160	15-9	369229	15-26, 15-28
369005	15-9	369162	15-15	369230	15-25, 15-28
369006	15-15	369163	15-15	369231	15-17
369007	15-11	369164	15-21	369232	15-11, 15-29
369008	15-15	369165	15-15	369233	15-17, 15-28
369009	15-29	369166	15-9	369234	15-25, 15-28
369010	15-23	369167	15-15	369235	15-11, 15-29
369012	15-13	369168	15-15	369236	15-11, 15-29
369014	15-25	369169	15-5	369237	15-3
369015	15-15	369170	15-7	369238	15-3
369016	15-9	369171	15-3	369239	15-23
369018	15-12	369172	15-5	369240	15-23
369019	15-3	369173	15-7	369241	15-15
369020	15-11	369174	15-11	369242	15-15
369022	15-15	369175	15-15	369243	15-9
369023	15-9	369176	15-15	369244	15-25
369025	15-11	369177	15-15	369245	15-23
369026	15-15	369178	15-17	369246	15-25
369027	15-13, 15-29	369179	15-13	369247	15-25
369028	15-25, 15-29	369181	15-13	369248	15-26
369029	15-25, 15-29	369182	15-3	369249	15-9
369030	15-17, 15-28	369183	15-14	369250	15-15
369031	15-11	369184	15-15	369251	15-11
369032	15-3	369185	15-23	369253	15-15
369034	15-25	369186	15-15	369254	15-9
369035	15-11	369187	15-9	369255	15-13
369036	15-3	369188	15-15	369256	15-13
369037	15-11	369189	15-15	369257	15-11
369038	15-15	369190	15-15	369258	15-27
369039	15-15	369191	15-15	369259	15-17, 15-28
369040	15-15	369192	15-15	369260	15-11, 15-15
369089	15-18	369193	15-15	369261	15-7
369090	15-18	369194	15-15	369262	15-17, 15-18
369131	15-27	369195	15-9	369263	15-17
369132	15-5	369196	15-11	369268	15-15
369133	15-13	369197	15-7	369269	15-15
369134	15-9	369198	15-7	369270	15-15
369135	15-15	369199	15-23	369271	15-17
369137	15-5	369200	15-7	369272	15-15
369138	15-11	369201	15-3	369273	15-17
369140	15-3, 15-11	369202	15-15	369274	15-17
369141	15-11	369203	15-15	369275	15-17
369142	15-15	369204	15-15	369276	15-17
369143	15-5	369205	15-11	369277	15-17
369144	15-13	369206	15-7	369278	15-26, 15-28
369145	15-5	369207	15-5	369279	15-15
369146	15-11	369208	15-5	369280	15-25
369147	15-15	369209	15-3	369281	15-17
369148	15-15	369210	15-17	369282	15-14
369149	15-7	369211	15-23	369283	15-29
369150	15-7	369212	15-23	369284	15-5
369151	15-9	369213	15-15	369285	15-28
369152	15-9	369214	15-25	369286	15-5
369153	15-7	369216	15-21	369287	15-5
369154	15-17	369217	15-11	369289	15-3
369155	15-14	369223	15-27	369290	15-7
369156	15-23	369224	15-11	369292	15-9

# CROSS REFERENCE

Part Number	Page Number	Part Number	Page Number	Part Number	Page Number
369293	15-5	371511	6-47	371597	8-22
369294	15-9	371512	6-47, 6-49	371598	8-22
369295	15-3	371513	6-47	371599	8-22
369296	15-3	371514	6-47	371600	8-5
369297	15-5	371516	6-47, 6-49	371601	8-22
369298	15-5	371517	6-47	371602	8-11, 16-15
369299	15-11	371518	6-47, 6-49	371603	8-11, 16-15
369701	6-161	371519	6-47, 6-49	371604	16-15
369704	6-9, 6-11	371520	6-47, 6-49, 6-57	371606	8-5
369745	6-79, 6-81, 6-83, 7-19, 7-21, 8-29	371522	6-51	371607	8-29
369746	6-4, 6-79, 6-81, 6-83, 7-19, 7-21, 8-29	371523	6-51	371609	8-5
369747	6-79, 6-81, 6-83, 7-19, 7-21, 8-29	371524	6-51	371613	8-5, 8-22
369748	6-14	371525	6-51	371614	8-5, 8-22
369749	6-9	371526	6-51, 6-53, 6-55	371615	8-22
369750	6-9	371527	6-51, 6-53, 6-55	371617	8-5
369751	6-79, 6-81, 6-83, 7-19, 7-21, 8-29	371528	6-51	371618	8-5
370133	6-169	371529	6-51	371620	8-22
370700	14-8	371530	6-51	371621	8-25
370705	11-18	371532	6-57, 7-9, 7-11	371622	8-5
370706	11-16	371533	6-57	371623	8-25
370707	11-18	371534	6-57	371624	8-5
370725	11-5, 13-7, 14-7	371535	6-57	371625	8-5
370726	11-7, 13-8, 14-8	371536	6-57	371626	8-5
370806	15-11	371537	6-57	371627	8-5
370807	15-15	371538	6-57, 7-9, 7-11	371628	8-5
370809	15-17	371545	6-77	371629	8-5
370810	15-17	371548	6-117	371630	8-5
370811	15-17	371549	6-47	371631	8-5
370812	15-17	371550	6-47	371632	8-5
370814	15-18	371551	6-47	371634	8-5
370815	15-19	371552	6-47	371635	8-25
370816	15-19	371553	6-47, 6-61, 7-17	371636	8-5
370819	15-21	371556	6-47	371637	6-4, 8-11
370820	15-21	371557	6-77	371638	8-5
370821	15-21	371558	6-77	371639	6-77
370823	15-23	371559	6-77	371640	8-5
370825	15-25	371560	6-77	371644	8-25
370826	15-26	371561	6-77	371645	6-57, 10-39
370827	8-13, 15-26	371563	6-77	371646	10-37, 10-39
370840	11-8, 13-9	371564	6-77	371647	10-37, 10-39
370842	11-5	371565	6-77, 6-81	371648	10-39
370843	11-7	371566	6-77	371649	10-39
370885	15-3	371567	6-77	371650	10-39
370886	15-25	371568	6-77	371651	10-37, 10-39
370887	15-26	371570	6-77	371652	10-39
37089	6-8, 6-171	371572	6-47	371653	10-37, 10-39
371500	6-70	371573	6-65, 6-67	371654	10-37, 10-39
371502	6-70	371575	6-73	371655	10-39
371503	6-70	371579	6-73	371656	10-39
371504	6-70	371580	6-47, 6-127, 7-23	371657	10-39
371505	6-70	371581	6-81, 8-29	371658	10-37, 10-39
371507	6-47	371582	6-77	371659	10-39
371508	6-47, 6-49	371583	7-5	371660	10-37, 10-39
371509	6-47, 6-49, 6-51, 6-61, 6-77, 7-17	371587	8-5	371661	6-87
		371588	8-5	371663	7-9, 7-11, 10-37
		371589	8-5	371665	10-37
		371590	8-5	371666	10-37
		371594	8-25	371668	10-37
		371595	8-25	371669	10-37
		371596	8-25	371670	10-37

# CROSS REFERENCE

Part Number	Page Number	Part Number	Page Number	Part Number	Page Number
371671	6-4, 7-5	372512	7-13	372689	16-25
371673	7-9, 7-11	372514	7-13	372690	16-25
371674	7-9, 7-11	372515	7-13	372691	16-5, 16-9
371675	7-9, 7-11	372516	7-13	372692	16-9
371676	7-5	372517	7-13	372693	16-9
371677	7-9, 7-11	372518	7-13	372694	16-9
371713	10-37	372523	7-13	372695	16-9
371714	10-37, 10-39	372526	7-13	372696	16-7
371715	10-37, 10-39	372527	7-13	372697	16-5
371716	10-39	372528	7-13, 7-17	372698	16-5
371718	10-37, 10-39	372529	7-17	372699	16-5
371747	8-25	372531	7-13	372700	16-5
371761	6-49	372539	7-17	372701	16-5
371764	6-57, 6-61, 7-9, 7-11	372545	6-59, 6-61, 7-13, 7-17	372702	16-5
371865	6-55	372569	7-13	372704	16-5
371875	6-61, 7-17	372577	7-13	372705	16-5
371877	6-61, 7-17	372579	7-17	372706	16-3
371891	12-3	372581	7-13	372707	16-3
372235	6-123	372608	7-13	372708	16-3
372236	6-123	372610	7-13	372709	16-3
372237	6-123	372611	7-13	372710	16-3
372251	12-7	372612	7-13	372711	16-3
372440	6-4, 6-89, 6-91	372615	6-4, 7-13	372712	16-3
372445	6-49	372652	8-31	372713	16-3
372448	6-4	372653	16-17	372714	16-3
372456	6-49	372654	6-4, 16-15	372715	16-3
372457	6-49	372655	16-26	372716	16-3
372458	6-49	372656	16-26	372717	16-3
372466	6-59, 6-61, 7-17	372657	16-26	372718	16-3
372470	6-61, 7-13, 7-16	372658	16-26	372719	16-3
372472	6-59, 6-61, 7-13, 7-17	372659	16-26	372720	16-3
372473	6-49	372660	16-12	372721	16-3
372474	6-49	372661	16-21	372722	16-7
372479	6-49	372662	16-21	372723	16-7
372482	6-59	372663	16-21	372724	16-7
372483	6-59, 6-61, 7-13, 7-17	372664	16-7	372725	16-7
372484	7-13	372665	16-7	372726	16-7
372488	6-59	372666	16-12	372727	16-7
372489	6-59, 7-13	372667	16-12, 16-17	372728	16-7
372490	6-59, 7-13	372668	16-15	372729	16-7
372491	6-67	372669	16-15	372730	16-7
372492	6-59, 7-13	372670	16-15	372731	16-12
372493	6-59, 7-13	372671	16-19	372732	16-12, 16-17
372495	7-13	372672	16-19	372733	16-12
372496	7-13	372673	16-17	372734	16-12
372497	7-13	372674	16-17	372735	16-12, 16-23
372498	7-13	372676	16-17	372736	16-12
372500	7-13	372677	16-21	372737	16-5
372501	7-13	372678	8-15, 16-21	372738	16-5
372503	7-13	372679	16-21	372739	16-5
372504	7-13	372680	16-21	372740	16-5
372505	7-13	372681	16-23	372741	16-5
372506	7-13	372682	16-23	372742	16-5
372507	7-13	372683	16-23	372743	16-5
372508	7-13	372684	16-11	372744	16-5
372510	7-13	372685	16-11	372745	16-5
372511	7-13	372686	16-17	372746	16-5
		372687	16-25	372747	16-5
		372688	16-25	372748	16-5

# CROSS REFERENCE

Part Number	Page Number	Part Number	Page Number	Part Number	Page Number
372749	16-5	372813	16-17	373231	10-15, 10-19
372750	16-5	372814	16-17	373232	10-15, 10-19
372751	16-5	372815	16-17	373233	10-15, 10-19
372752	16-5	372816	16-21	373235	10-15, 10-19
372753	16-8	372817	16-21	373237	10-15, 10-17
372754	16-8	372818	16-3	373239	10-15, 10-17
372755	16-8	372819	16-25	373240	10-15, 10-17
372756	16-8	372820	16-25	373241	10-15
372757	16-8	372821	16-25	373242	10-15, 10-19
372758	16-8	372822	16-25	373243	10-15
372760	16-8	372823	16-25	373245	6-147, 8-47, 10-15
372761	16-8	372824	16-25	373255	10-19
372762	16-8	372825	16-19	373267	10-19
372763	16-8	372826	16-19	373284	10-19
372764	16-8	372827	16-19	373285	10-19
372765	16-8	372828	16-19	373286	10-19
372766	16-8	372829	16-19	373287	10-19
372767	16-8	372830	16-19	373288	10-19
372768	16-15	372831	16-19	373374	10-13
372769	16-15	372832	16-17	373375	10-13
372770	16-15	372834	16-23	373403	10-15, 10-19
372771	16-15	372835	16-23	373404	6-147, 6-148, 8-47, 10-11, 10-13
372772	16-27	372836	16-23	373407	10-11
372773	16-27	372837	16-23	373408	10-11
372775	16-11	372838	16-23	373409	10-11
372776	16-11	372839	16-23	373410	10-11
372777	16-11	372840	16-23	373412	10-13
372778	16-11	372841	16-23	373413	10-13
372779	16-11	372842	16-23	373414	10-11
372780	16-13	372843	16-23	373415	10-11
372781	16-13	372844	16-23	373552	10-17
372782	16-13	372845	16-23	373590	10-35
372783	16-13	372846	16-23	373611	10-35
372784	16-13	372847	16-23	373616	10-19
372785	16-13	372848	16-23	373624	10-35
372786	16-13	372849	16-23	373625	10-35
372787	16-13	372850	16-23	373626	10-35
372788	16-11	372851	16-23	373702	11-7
372789	16-11	372852	16-23	374119	6-125, 6-127, 6-128, 7-23, 8-32, 8-33, 8-65, 9-8
372790	16-11	372853	16-17	374127	8-33
372791	16-11	372854	16-23	374147	15-21
372792	16-11	372859	7-13	374148	15-21, 15-26
372793	16-11	372860	6-59	374229	15-21
372794	16-11	372891	6-59, 7-13	374240	6-43
372795	16-11	372897	9-20	37450	10-4
372796	16-7	372899	7-13	37451	10-4
372797	16-5	372934	16-3	37453	10-4
372798	16-5	372935	16-3	374532	7-3
372800	16-15	372936	16-3	37460	10-7, 10-11
372801	16-15	372937	7-11	37462	10-4, 10-7, 10-11
372802	16-17	372938	16-7	374648	7-3
372803	16-15	372939	16-7	374649	7-3
372804	16-15	372940	16-7	37467	10-4
372805	16-15	372941	6-89, 8-21	375117	8-21, 8-32, 8-33
372806	16-15	373201	10-15, 10-19	375132	7-9
372807	16-15	373211	10-15, 10-19	37524	6-43
372808	16-15	373218	10-11		
372809	16-15	373228	10-15		
372810	16-15	373229	10-15		
372812	16-17	373230	10-15		

## CROSS REFERENCE

Part Number	Page Number	Part Number	Page Number	Part Number	Page Number
375585	6-71, 6-77, 8-25, 8-27	38411	13-5	388224	11-8, 13-9, 14-9
375613	6-157, 8-67	38412	13-5	388260	11-3, 13-3, 14-3
375614	6-157, 8-67	38413	11-3, 13-3, 14-3	388338	13-7
375676	8-33	38415	13-5, 14-5	38836	13-10, 14-10
375724	6-167	38416	11-11, 13-12, 14-12	38839	13-10, 14-10
375761	6-137, 6-139, 8-43	38417	13-5, 14-5	38840	11-9
37616	10-23	38418	13-17, 14-17	38842	13-10, 14-10
37617	10-21, 10-24	38419	13-5	38843	11-13, 13-14, 14-14
377337	6-4, 7-5	38420	11-13, 13-14, 14-14	38845	13-10, 14-10
377428	8-5	38421	11-13	38847	11-9, 13-10, 14-10
377537	6-5	38449	13-9	38848	11-9
377538	6-5	38488	13-5	38850	11-9
377540	6-5	384971	7-17	388548	15-17
37756	10-23	384973	7-17	38855	11-11, 14-12
37766	10-23	384974	6-61, 7-17	38856	11-17, 13-18, 14-18
37828	15-17	384975	7-17	38857	11-17, 13-18, 14-18
378967	6-157, 8-67	384977	7-17	38859	11-16
378997	6-125	384978	7-17	38873	10-25
37934	11-16	384979	7-17	38916	11-9, 13-10, 14-10
37942	11-5, 13-7, 14-7	384985	6-61, 7-17	38917	11-9, 13-10, 14-10
37973	15-19	384986	7-17	38918	11-14, 13-15, 14-15
38010	11-16	384996	7-17	38919	11-17, 13-18, 14-18
380503	9-20	384998	6-123	38920	11-10, 14-11
380520	8-7	384999	6-123	38923	11-5, 13-7, 14-7
380547	8-11	385000	6-61, 7-17	38924	11-13, 13-14, 14-14
380548	8-11	385001	6-61, 7-17	38968	10-23
380564	8-11	385002	6-61, 7-17	38991	11-18
380770	8-21	385003	6-61, 7-17	38992	11-19
38082	11-3, 13-3, 14-3	385004	6-61, 7-17	39005	8-9
381856	6-139	385005	6-61, 7-17	391800	6-45, 6-47, 8-3, 8-5
382266	6-87, 8-21	385006	6-61, 7-17	391823	6-87, 8-17, 8-19
382507	6-73, 8-25	385007	6-61, 7-17	391839	9-13
382516	6-125, 6-127, 7-23, 8-65	385008	6-61, 7-16	391844	6-157, 8-67
38255	10-23	385009	6-91	391846	8-28
383722	6-127, 6-128, 7-23, 8-65	385010	6-123	391854	6-157, 8-67
383723	6-125, 6-127, 7-23, 8-65, 9-3	385011	7-17	391858	6-71
38379	13-5, 14-5	385012	7-17	391900	8-63
38381	11-11, 13-12, 14-12	385013	7-17	391901	6-123
38384	13-5	385014	7-17	391902	6-123, 8-63
38385	13-5	385015	7-17	391905	6-127, 7-23, 8-65
38386	13-5	385016	7-17	391907	6-123, 8-63
38388	13-5	385017	7-17	391908	6-123, 8-63
38389	13-5	385018	6-123	391909	6-123, 8-63
38392	13-5	385019	6-49	391922	9-3
38393	13-5, 14-5	38550	11-18	392258	7-11
38394	13-14, 14-14	38572	11-9, 13-10, 14-10	392528	6-117
38397	11-5, 14-7	38665	11-5, 14-7	392529	8-33
38401	11-15, 13-16, 14-16	38753	11-7, 13-8, 14-8	392530	6-73, 8-25
38402	11-17, 13-18, 14-18	38757	11-5	392532	6-8, 6-11
38403	11-16, 13-17, 14-17	38758	11-3, 13-3, 14-3	392534	6-73, 8-25
38404	11-3, 13-3, 14-3	38774	11-5, 14-7	392535	6-8, 6-13
38405	11-17, 13-18, 14-18	38784	11-9	392537	7-5
38406	11-17, 13-18, 14-18	38787	11-9, 13-10, 14-10	392539	6-77
38408	11-3, 13-3, 14-3	38788	11-14, 13-15, 14-15	392540	6-65
38409	11-17, 13-18, 14-18	38789	11-18	392543	6-65, 8-13, 8-15
38410	11-18	388014	13-5	392544	8-25
		388078	11-7	392545	6-70
		388080	11-7, 13-8, 14-8	392546	7-5, 7-7
		388139	13-10, 14-10	392547	8-11
		388153	6-32, 8-37		

# CROSS REFERENCE

Part Number	Page Number	Part Number	Page Number	Part Number	Page Number
392548	8-19, 8-21	393694	13-5, 14-5	393809	12-7
392549	8-13	393695	11-5, 13-7, 14-7	393810	12-7
392550	8-5	393696	11-5, 13-7, 14-7	393811	12-7
392551	6-171	393698	14-8	393812	12-7
392552	8-11	393699	11-7, 13-8, 14-8	393813	12-7
392553	8-19	393700	11-7, 13-8, 14-8	393814	12-7
392554	8-19	393701	11-7, 13-8, 14-8	393815	12-7
392555	8-19	393702	13-8, 14-8	393816	12-7
392559	6-87	393703	11-7, 13-8, 14-8	393817	12-12
392611	6-53, 6-55	393705	11-8, 13-9, 14-9	393818	12-12
392647	6-75	393706	14-9	393819	12-12
39272	6-92, 8-35	393707	11-8, 13-9, 14-9	393820	12-12
39274	6-27, 6-31	393708	13-10, 14-10	393821	12-12
39277	6-69, 6-75, 7-5, 8-3, 16-8, 16-15, 16-17, 16-19, 16-25, 16-26	393709	13-10, 14-10	393822	12-12
39278	8-3	393710	13-10, 14-10	393823	12-12
39279	6-71	393711	13-10, 14-10	393824	12-3, 12-9, 12-11, 12-12
39281	16-21	393712	13-10, 14-10	393825	12-12
39283	16-12	393713	11-9, 13-10, 14-10	393826	12-11, 12-12
39284	6-45, 6-47, 8-3, 8-7	393714	11-9, 13-10, 14-10	393827	12-12
39309	8-5, 8-7	393715	14-11	393828	12-12
39312	8-3	393716	14-3, 14-12	393829	12-12
393223	9-20	393717	11-11, 13-12, 14-12	393830	12-12
393227	6-53, 6-55	393718	13-12, 14-12	393831	12-12
39347	6-161	393719	14-13	393832	12-7
39348	6-17	393720	11-12, 13-13, 14-13	393833	12-7
39349	6-11, 6-75, 6-83, 6-89, 6-91, 6-153, 7-21, 8-21, 8-27, 8-31, 16-7, 16-8, 16-9, 16-11, 16-13, 16-15, 16-17, 16-19, 16-21, 16-23, 16-25, 16-26	393721	11-15, 13-16, 14-16	393834	12-11
39350	6-65, 6-67, 6-69, 6-159, 8-13, 8-15	393722	11-15, 13-16, 14-16	393835	12-11
393662	12-7	393723	14-16	393836	12-11
393663	12-7	393724	11-17, 13-18, 14-18	393837	12-11
393665	15-11	393725	11-3	393838	12-11
393675	15-17	393726	11-3, 13-3	393839	12-11
393676	15-17	393728	11-3	393840	12-11
393677	14-3	393730	11-3, 13-3	393841	12-11
393678	14-3	393732	11-3, 13-3	393842	12-11
393679	11-3, 11-16, 14-3	393733	11-5	393843	12-11
393680	11-3, 13-3, 14-3	393734	11-7, 13-8, 14-8	393844	12-11
393683	11-3, 13-3, 14-3	393735	11-7	393845	12-11
393684	11-3, 13-3, 14-3	393736	11-7, 13-8	393846	12-11
393685	11-3, 13-3, 14-3	393737	11-7	393847	12-11
393686	14-3	393742	11-9	393848	12-9
393687	11-3, 13-3, 14-3	393744	11-9	393849	12-9
393688	14-5	393747	11-10, 13-11	393850	12-9
393689	14-5	393748	11-10, 13-11	393851	12-9
393690	14-5	393749	11-11	393852	12-9
393691	14-5	393750	11-11	393853	12-9
393692	14-5	393751	11-11	393854	12-9
393693	13-5, 14-5	393753	11-16	393855	12-9
		393754	11-16, 13-17, 14-17	393856	12-9
		393755	11-16	393857	12-9
		393756	11-16		
		393757	11-16		
		393760	11-18		
		393761	11-19		
		393762	11-19		
		393763	11-19		
		393764	11-19		
		393765	11-18		
		393806	12-7		
		393807	12-7		
		393808	12-7		



# CROSS REFERENCE

Part Number	Page Number	Part Number	Page Number	Part Number	Page Number
393868	12-9	393918	12-3	393984	6-47, 6-59, 6-61, 7-13, 7-17
393869	12-9	393919	12-5	393985	6-47
393870	12-9	393920	12-5	393986	6-77
393871	12-9	393921	12-5	393993	12-3
393872	12-7	393922	12-5	393994	6-47, 6-49, 6-51, 8-22
393873	12-11	393923	12-5	393996	6-77
393874	12-11	393924	12-5	393998	6-51, 6-53, 6-55, 6-77
393875	12-11	393925	12-5	394916	6-123
393876	12-11	393926	12-5	39527	10-21, 10-24
393877	12-11	393927	12-5	39537	6-75, 8-27
393878	12-11	393928	12-5	395973	6-153
393879	12-11	393929	12-5	39648	6-127, 7-23, 8-65
393880	12-11	393930	12-5	39650	6-13
393881	12-11	393931	12-5	39670	8-5
393882	12-7	393932	12-5	39703-2	6-3, 13-18
393883	12-7	393933	12-3	39712	6-127, 7-23, 8-65
393884	12-7	393934	6-4, 12-3	39807	6-153
393886	12-7	393935	12-3	39809	6-11
393887	12-7	393936	12-3	39810	6-21, 6-23, 6-73, 8-25
393888	12-7	393937	12-3	398205	6-165
393889	12-7	393938	12-3	398279	6-83, 7-21, 9-19
393890	12-7	393939	12-5	398296	6-78, 7-18
393891	12-7	393940	12-5	398344	6-4
393895	12-3	393941	12-5	398468	7-5
393896	12-3	393942	12-5	398473	7-5
393897	12-3	393943	12-5	398474	7-7
393898	6-57, 6-59, 7-9, 7-11, 7-14, 12-3, 12-5	393945	12-5	39912	6-161
393899	12-3	393946	12-5	40052	6-157, 6-165, 8-67
393900	12-3	393947	12-5	40076	6-28, 6-29
393901	12-3	393948	12-5	40171	9-13
393902	12-3	393949	12-5	40173	9-13
393903	12-3	393950	12-5	40354	6-42
393904	12-3	393951	12-3	40362	6-141, 6-142, 6-154, 8-46
393905	6-57, 6-59, 7-9, 7-11, 7-14	393952	12-3	40390	6-28, 6-29, 6-157, 8-67
393906	6-57, 6-59, 7-9, 7-11, 7-14	393953	12-3	40496	6-157, 8-67
393907	6-57, 6-59, 7-9, 7-11, 7-14	393954	12-3	40514	6-140, 6-147, 6-150, 6-154, 8-47, 8-48, 9-8
393908	6-57, 6-59, 7-9, 7-11, 7-14	393955	12-3	40575	6-21, 6-25
393909	6-57, 6-59, 7-9, 7-11, 7-14	393956	12-3	40585	6-87, 8-17, 8-19, 8-21
393910	6-57, 6-59, 7-9, 7-11, 7-14	393957	12-3	40625	6-45, 6-70
393911	6-57, 6-59, 7-9, 7-11, 7-14	393958	12-3	40646	6-21, 6-23
393912	6-57, 6-59, 7-9, 7-11, 7-14	393959	12-3	40670	9-13
393913	6-57, 6-59, 7-9, 7-11, 7-14	393960	12-3	40671	9-13
393914	6-57, 6-59, 7-9, 7-11, 7-14	393961	12-3	40678	6-87
393915	6-57, 6-59, 7-9, 7-11, 7-14	393962	12-3	40755	6-146, 6-153
393916	6-57, 6-59, 7-9, 7-11, 7-14	393963	12-3	40758	6-21, 6-23
393917	12-3	393964	12-3	40759	6-21, 6-23
		393965	12-5	40846	6-17
		393966	12-5	40870-1	6-3, 6-4
		393967	12-5	40870-2	6-157, 8-67
		393968	6-47	40870-7	6-3, 6-4
		393970	6-73	40999A	6-28, 6-29
		393971	6-73		
		393972	7-9, 7-11		
		393973	6-47		
		393975	6-47		
		393976	6-117		
		393978	6-47		
		393981	7-9		
		393982	6-4, 6-70		

# CROSS REFERENCE

Part Number	Page Number	Part Number	Page Number	Part Number	Page Number
41007	6-157, 8-67	42809	6-157, 8-67	47498	6-143, 6-145,
41016	6-11, 6-39	43203	6-15		6-146, 6-147,
41032	6-28, 6-29	43363	6-15, 6-165		6-148, 8-45, 8-47
41063	6-25	43454	6-9, 6-13	47504	6-143, 6-146,
41066	6-161	43555	6-3, 6-4, 6-81,		6-147, 6-148,
41073	6-161		6-167, 7-18, 7-19,		6-149, 8-45, 8-47,
41081	6-161		8-29, 8-31		9-8
41082	6-161	43611	8-9	47508	6-146, 6-147,
41083	6-161	43844	6-87, 6-89, 6-91,		6-148, 8-47
41084	6-161		8-7, 8-17, 8-19,	47512	6-146, 6-147, 8-11,
41112	6-35		8-21		8-47
41130	6-157, 6-159, 8-67	44031	6-9, 6-163	47518	6-27, 6-31, 6-142
41141	6-11, 6-127, 7-23,	44078	6-127, 7-23, 8-65	47519	6-149
	8-65	44310	6-32, 8-37	47535	9-4
41142	6-53, 6-55, 8-7	44868	6-143, 6-149, 8-45	47535-1	9-4
41169	6-11, 6-165, 6-167	44869	6-141, 6-153, 8-46	47535-2	9-4
41185	6-127, 7-23, 8-65	44906	6-19	47536	9-4
41186	6-45, 6-53, 6-55,	44961	6-161, 7-7	47536-1	9-4
	6-159	45181	6-13, 6-127, 7-23,	47537	9-4
41187	6-49, 6-151, 8-3		8-65	47537-1	9-4
41195	6-67, 6-75	45223	8-32, 8-33, 9-3	47566	6-85, 6-87, 8-17,
41342	6-45, 8-3, 16-7,	45224	6-125, 6-127, 7-23,		8-19
	16-21		8-32, 8-33, 8-65	47585	6-39, 6-41, 8-39
41348	8-3	45299	6-73, 8-25	47638	6-143, 6-145, 8-45
41358	6-45, 8-3	45333	6-125, 6-127, 7-23,	47675	11-18, 13-5, 14-5
41359	6-51		8-65	47680	11-19, 13-5, 14-5
41437	6-70, 8-11, 16-15	45339	9-3	47745	6-169
41686	6-55	45482	6-159	47752	6-140
42006	13-7, 14-7	45595	6-128	47754	8-11
42009	13-7, 14-7	45622	10-23	47801	6-157, 8-67, 10-30
42011	6-53, 6-55	45623	10-23	47826	6-78, 6-79, 7-3
42082	6-167	45628	10-21, 10-24	47846	6-163
42116	11-5, 13-7, 14-7	45670	9-6	48108A	6-154, 10-31
42120	6-17	45780	9-3	48126	6-43
42120-2	6-161	45850	8-17, 8-19	48144	6-47, 7-3
42120-4	6-161	46029	6-39, 6-41, 8-39	48183	6-9, 6-11
42120-9	6-17	46236	6-43, 6-91, 8-17,	48242	6-9, 6-171
42126	6-27, 6-28		8-19	48267	6-85, 6-87, 6-89,
42133A	6-163	46314	9-5		8-17, 8-19, 8-21
42148	11-8, 13-9, 14-9	46481	6-71, 6-140, 6-141,	48663	6-140
42149	13-5, 14-5		6-146, 6-147,	48665	6-47, 6-49, 8-7
42208	6-137, 8-43		6-149, 6-150, 8-46,	48789	10-2
42215	6-143, 6-149, 8-45		8-47, 8-48	48790	6-15
42223	6-148	46485	7-3	48791	10-2
42240	6-39, 6-41, 8-39	46559	6-41	48879	6-39
42260	6-71, 6-140, 6-141,	46611	7-3	48880	6-146, 10-5
	6-146, 6-153, 8-46	46711	9-3	48884	6-169
42311	6-161	46800	6-18	48887	6-39
42325	14-18	46928-1	9-6	48888	6-34
42326	13-5	47010-1	6-32, 8-37	48891	6-34
42328	13-8, 14-8	47010-2	6-32, 8-37	48897	6-39
42330	13-8, 14-8	47010-3	6-32, 8-37	48899	6-92
42331-1	6-157, 8-67	47010-4	6-32, 8-37	48901	6-17
42337	11-7, 13-8, 14-8	47010-6	6-32, 8-37	48906	10-5
42368	6-89, 6-91	47010-7	6-32, 8-37	48907	10-5
42370	6-70, 8-11, 16-15	47178-12	6-125, 7-23	48908	10-5
42399	6-161	47178-13	6-125, 6-127, 7-23,	48909	10-5
42498	6-28		8-65	49022	9-3
42499	6-27	47388	7-3, 11-17, 13-18,	49024	6-63
42639	6-29, 6-31		14-18	49262	9-5

# CROSS REFERENCE

Part Number	Page Number	Part Number	Page Number	Part Number	Page Number
49263	6-163	51689	6-44	52899	14-5
49266	9-3	51690	6-44	52911	6-73, 6-147, 6-148, 8-25, 8-27, 8-47
49287	8-19	51691	6-44	52929	6-142, 6-151, 6-153
49681	6-39	51692	6-44	53051A	8-32, 8-33
49933	6-153	51693	6-44	53077	6-75
49934	6-45	51782	8-11	53078	6-43
49943	9-8	51787	6-9, 6-13	53079	6-43
50047	6-87	51805	7-3	53268	7-3
50304	6-42	51938	6-27, 6-28, 6-29, 6-31	53303	11-11
50330	6-125, 6-127, 7-23, 8-65	52049	6-44	53304	11-11
50335	6-47, 6-49, 6-89, 6-91	52163	6-43	53321	11-11
50456	8-3	52296	6-25	53327	11-7
50493	6-39, 6-41, 8-39	52388	6-32, 8-37	53395-2	7-3
50518	6-4	52402	6-153	53400-1	7-3, 7-5, 7-7, 9-14
50565	7-3	52405	10-23	53400-2	7-5, 7-7, 9-14
50646	6-9	52424	7-7	53400-3	7-5, 7-7, 9-14
50788	9-13	52481	11-11	53400-4	7-3, 7-5, 7-7, 9-14
50789	9-13	52508	6-39, 6-41, 8-39	53400-5	7-5, 7-7, 9-14
50817	6-71	52580-2	8-28	53963A	6-17
50845	6-3, 6-4, 6-18	52613	11-16	53988-12	11-15, 13-16, 14-16
50864	6-157, 8-67	52615	6-15	53988-13	11-15, 13-16, 14-16
50902	6-49, 6-53, 6-55, 6-159	52618	11-19	54027	7-3
50960	6-75, 6-140	52720	11-9	54041	6-169
50967	6-71, 8-27	52721	11-11	54179	7-5
51046	6-28, 6-29	52722	11-16	54180	6-125
51109	6-43	52723	11-16	54194	6-27, 6-31
51176	6-45, 6-47, 8-3, 8-5, 8-7	52724	11-9, 13-10, 14-10	54274	6-63, 6-65, 6-159, 8-13
51305	6-71, 6-75, 7-11, 8-7, 8-23, 8-27, 11-3, 13-3, 14-3	52725	11-7, 13-8, 14-8	54275A	6-159
51317	6-28, 6-29	52726	11-5	54333	6-25, 6-78, 6-79, 6-85, 6-89, 6-163, 7-3, 7-18, 7-19
51321-3	6-71, 8-23	52727	11-5	54394	6-75, 7-5, 7-7, 8-27
51368	6-9, 6-171	52728	11-7	54395	6-73, 6-75, 8-25, 8-27
51406	10-2	52730	11-7, 14-8	54396	6-11, 6-47, 6-49, 6-67, 6-69, 6-83, 6-89, 6-91, 6-153, 6-159, 7-21, 8-31
51416	10-2	52734	11-7, 14-8	54397	6-37
51448	6-27, 6-28, 6-29, 6-31	52736	11-3, 13-3, 14-3	54861	6-27, 6-159
51449	6-29, 6-31	52741	11-11	54884	6-75
51452	6-27, 6-31	52748	11-16	55248	6-163
51458	6-15	52751	11-16	55586	6-140, 6-141, 6-169, 8-46
51459	6-15	52753	11-8, 13-9, 14-9	55619	6-149
51530	6-169	52756	13-7, 14-7	55685	6-142, 6-143, 6-146, 8-45
51534	6-169	52757	13-7, 14-7	55705	6-135
51545	6-42	52759	13-5	55740	6-3, 6-149
51560-3	6-78, 7-18	52760	13-7, 14-7	55775	6-137, 8-43
51560-5	6-78, 6-79, 6-81, 6-83, 7-18, 7-19, 7-21, 8-28, 8-29, 8-31	52764	11-10, 13-11, 14-11	55926	10-4
51562	6-42	52765	11-16	55929	10-4
51564	6-28, 6-29, 6-45, 6-47, 6-169, 8-5, 8-7	52766	11-17, 13-17, 13-18, 14-17, 14-18	55936	10-4
51572	9-3	52770-8	8-17, 8-19	56185	6-33
51658-5	6-78, 6-79, 7-18, 7-19, 8-28	52770-9	6-3, 8-19, 13-5	56186	8-33
		52789	6-39, 6-41, 8-39		
		52841	13-5		
		52845	14-18		
		52851	11-11		
		52859	13-8, 14-8		
		52872	11-16		
		52886	11-5, 13-7, 14-7		
		52887	11-16, 13-14, 14-14		
		52888	11-13, 13-14, 14-14		
		52898	11-5, 13-7, 14-7		

# CROSS REFERENCE

Part Number	Page Number	Part Number	Page Number	Part Number	Page Number
56690	6-32, 6-33, 6-89, 6-143, 6-145, 6-153, 8-37, 8-45	60970	6-8	61653	6-117
56692	6-75, 6-148, 6-159	60981	6-165	61654	6-117
56820	6-32, 6-141, 6-142, 6-145, 6-161, 8-37, 8-46	61023	9-11	61681	9-3
56821	6-154	61157	6-165	61683	6-85
56827	6-143, 6-145, 8-45	61160	6-167	61685	9-11
56875	7-7	61170	6-165, 6-167	61686	6-85, 8-17
56903	6-25	61171	6-165, 6-167	61687	6-85
56992	6-125, 6-127, 7-23, 8-65	61174	6-165, 6-167	61695	7-3
57048	6-49	61175	6-165, 6-167	61696	6-45
57075	6-45, 6-70	61176	6-165	61697	8-3
57094	10-17	61179	9-11	61701	6-157, 8-67
57152	10-25	61181	6-165, 6-167	61711	11-3, 13-3, 14-3
57156	10-25, 10-26	61187	6-167	61724	11-8, 13-9, 14-9
57196	6-154	61188	6-167	61725	11-5, 13-7, 14-7
57311	6-45, 8-2	61189	6-167	61733	13-5, 14-5
57377	6-163	61245	6-167	61736	11-8, 13-9, 14-9
57378	6-163	61249	6-165	61741	11-5, 13-7, 14-7
57379	6-163	61252	9-11	61743	13-5
57567	6-35	61254	6-163	61748	13-5, 14-5
57568	6-137, 8-43	61257	6-165	61749	11-10, 13-11, 14-11
57630	6-9, 6-165, 6-171	61258	6-42	61762	11-8, 13-9, 14-9
57676	6-32, 8-37	61259	6-155	61775	11-8, 13-9, 14-9
57773	6-49, 8-7	61260	6-155	61776	13-17, 14-17
57804	6-25, 6-123, 6-125, 6-127, 7-23, 8-65	61261	6-155	61777	14-5
57964	6-135, 6-137, 6-139, 8-43	61262	6-167, 9-11	61794	11-5
57982	6-32, 8-37, 10-25	61265	6-165	61812	11-11
58067	7-24	61268	6-165	61882	10-7, 10-11
58107	6-157, 8-67	61271	6-167	61886	10-9, 10-13
58114	6-157, 6-159, 8-67	61276	6-165	62234	6-143, 6-145, 8-45
58120	6-3, 6-78, 7-18	61364	8-35	62389	6-154
58596	10-25, 10-26	61478	6-3	62390	6-141, 8-46
58858	6-141, 6-146, 6-147, 8-46, 8-47	61489	6-27, 6-31, 10-24	62417-2	9-8
59015	8-19, 8-21	61490	10-24	62595-18	6-9, 6-163
59156	6-27	61515	8-3	62595-4	6-9, 7-3
59560	6-137, 8-43	61516	6-45, 8-3	62595-6	6-163
59577	6-33	61517	6-45, 8-3	62595-9	6-9
59617	6-3, 6-4, 6-21, 6-23	61608	6-75, 8-27	62700	6-39
59632	6-169	61611	6-71, 8-23	62702	6-39
59633	6-21, 6-23, 6-41, 6-169, 8-39	61623	6-19	62878	8-11
59634	6-169	61624	6-19	63182-2	8-7
59639A	6-168	61625	6-19	63263	6-49
59984	6-125	61626	6-19	63282	6-39, 6-41, 8-39
60015	6-3, 6-4, 6-21, 6-23	61627	9-11	63292	6-41, 8-39
60016	6-3, 6-4, 6-169	61628	6-165	63511	6-165
60018	6-3, 6-4, 6-168	61629	9-11	63810	6-57, 6-59, 7-13, 7-17
60090	8-11, 16-15	61630	9-11	63814	6-128
60294	6-92, 8-34, 8-35	61631	9-11	63818	6-75, 8-27
60295	6-92, 8-35	61632	9-11	63837	6-128
60969	9-5	61633	9-11	63921	10-3
		61634	9-11	63922	10-3
		61637	9-11	63923	10-3
		61638	6-19	63924	10-3
		61639	6-42	64618	6-75, 8-27
		61645	9-11	64621	6-75, 8-27
		61647	6-167	64685	6-167
		61648	6-167	64740	7-11
		61649	6-37	64795C-1	6-125, 6-127, 7-23, 8-65
		61650	6-9, 6-171	64903	6-8, 6-13
		61651	6-125		
		61652	9-3		

# CROSS REFERENCE

Part Number	Page Number	Part Number	Page Number	Part Number	Page Number
64921	6-125, 6-127, 7-23, 8-65	73113	6-142	74260	10-9
64950	6-43	73270	6-159	74261	10-9
65145-1	6-146, 6-147, 6-148, 8-47	73292	8-11	74262	10-7, 10-11
65202	8-43	73293	8-11	74263	10-7
65205	6-139	73736	6-125, 6-127, 7-23, 8-65	74264	10-9
65221	6-3, 6-4, 6-150, 8-48	73799	8-9	74265	10-7, 10-11
65241	10-26	74094	10-25	74266	10-7, 10-11
65439	8-39	74097	10-25	74267	10-7, 10-11
65869-5	6-3, 6-4	74098	10-23, 10-35	74270	10-9, 10-13
65894	8-3	74105	10-25, 10-26	74271	10-9, 10-13
65934	6-39	74109	10-25, 10-26	74272	10-7, 10-11
65935	6-39	74110	10-25, 10-26	74273	10-7, 10-11, 10-20
65936	6-39	74111	10-25, 10-26	74274	10-9, 10-13
65939	6-39	74112	10-25, 10-26	74275	10-9, 10-13
65940	6-39	74122	10-23	74276	10-7, 10-11
65941	6-39	74123	10-23	74277	10-9, 10-13
65942	6-39	74125	10-23	74278	10-9, 10-13
65946	6-169	74137	10-23	74279	10-9
65947	6-45	74137	10-23	74280	10-7, 10-11
65948	11-16	74142	6-32, 8-37	74281	10-7, 10-11
65949	11-16	74148	10-17	74282	10-9, 10-13
65950	11-16	74149	10-17	74283	10-7, 10-9, 10-11, 10-13
65951	8-3	74150	10-17	75054	9-13
65965	14-5	74151	10-17	75072-1	6-35
65966	14-5	74152	10-17	75072-5	6-35
65967	8-3	74154	10-19	75073	6-35
66101	9-3, 9-4, 9-5, 9-6	74159	10-17	75075	6-35
67310	6-147, 6-148, 8-47	74160	10-15, 10-17	75076	6-4
67832	6-140	74161	10-19	75118	9-13
68101	8-32, 8-33	74162	6-140	75127	9-13
68301	6-163	74163	6-147, 8-47, 10-7, 10-9	75132	6-155
68567	6-15	74165	10-23	75190	6-155
68768	6-147, 6-148	74166	10-23	75197	6-25
68866	6-41, 8-39	74167	10-23	75244-1	6-8, 6-11
68869	8-34	74168	10-23	75249	6-43
68870	8-34	74171	10-23	75267	6-8
68872	8-3	74176	6-32, 8-37, 10-26	75268	6-8, 6-13
68962	6-71	74181	10-26	75272	6-15
69225	6-21	74182	10-26	75285	6-43
69261	10-28	74184	10-7, 10-11	75296	6-161
69494	6-44	74186	10-25, 10-26	75314	6-25
69495	8-9	74187	10-25, 10-26	75319	6-25
69571	6-9, 6-171	74188	10-25, 10-26	75365	6-34
69582	6-19	74189	10-25, 10-26	75368	6-42
70165	8-5	74190	10-26	75369	6-42
70173	6-87, 6-89, 8-19, 8-21	74195	10-25, 10-26	75371	6-41, 8-39
70284	6-8	74210	10-7, 10-11	75430	6-9, 6-171
70752	8-9	74218	10-25, 10-26	75454	6-157, 8-67
71384	8-5	74223	10-7, 10-11	75456	6-157, 8-67
71385	8-5	74233	10-32, 10-33	75456-1	6-157, 8-67
71388	8-5	74240	10-7, 10-11	75456-2	6-157, 8-67
71725	10-15, 10-17	74249	10-23	75456-3	6-157, 6-159, 8-67
71741	6-139	74251	10-25, 10-26	75456-4	6-157, 6-159, 8-67
73106	6-73, 6-75, 8-25, 8-27	74253	10-7	75461	6-157, 8-67
73108	6-153	74254	10-7, 10-11	75480A	6-9, 6-11
		74256	10-7, 10-11	75486A	6-71, 6-73
		74257	10-7, 10-11	75520	6-27, 6-31
		74258	10-7, 10-11	75528	6-21, 6-23
		74259	10-9, 10-13	75530	6-18

# CROSS REFERENCE

Part Number	Page Number	Part Number	Page Number	Part Number	Page Number
75535	6-42	75799	6-3, 6-4, 6-21,	764418	15-11
75547	6-8		6-23	764421	15-9, 15-11, 15-12,
75550	6-18	75802-1	6-25		15-17, 15-25
75569	6-18	75810	6-9, 6-165, 6-171	764422	15-11
75570	6-18	75811	6-9, 6-171	764425	15-7
75571	6-18	75812	6-9, 6-171	764432	15-17
75572	6-18	75813	6-9, 6-171	764433	15-17
75575	6-18	75814	6-9, 6-171	764465	15-3
75588	6-21, 6-23	75815	6-165	764466	15-7
75592	6-21, 6-23	75816	6-165	764468	15-3
75600	6-27, 6-28	75903	9-7	764469	15-3, 15-7
75607	6-18	75923	9-16	764517	15-25
75616	6-17	75934	6-127, 7-23, 8-65	764556	15-25
75617	6-17	76058	6-43	764560	15-12
75622	6-17	76059	6-43	764561	15-17
75627	6-17	76062	6-127, 7-23, 8-65,	764575	15-11, 15-12
75631	6-29		9-3	764614	15-25
75634	6-18	76063	6-17	764620	15-12, 15-26
75635	6-3, 6-4, 6-165	76066	6-23	764653	15-11
75636	6-18	76075	6-163, 9-16	764707	15-13
75638	6-18	76076	9-16	764716	15-21
75642	6-18	76087	6-43	764717	15-21
75643	6-18	76089-2	6-165, 6-167	764769	15-25
75648	6-18	76113	6-9, 6-171	764785	15-3
75649	6-18	76156	6-9, 6-171	764794	15-17
75654	6-29	76157	6-165	764802	15-17
75655	6-29	76158	6-9, 6-171	764803	15-18
75656	6-28	762094	15-25	764804	15-18
75657	6-28	76218	6-27, 6-28	764812	15-15, 15-17,
75681	6-18	76234	6-125, 6-127, 7-23,		15-25
75702	6-21		8-65	764836	15-3
75703	6-23	76269	6-169	765049	15-21
75706	6-31	76290	6-45	76532	6-4, 6-165
75711	6-3, 6-4, 6-21,	76291	6-45	76536	6-125
	6-23	76306	6-125, 6-127, 7-23,	76539	6-37
75712	6-21		8-65	76540	6-161
75713	6-23	76319	8-28	76544	6-45
75718	6-7	76321	8-28	76560	6-44
75722	6-7	76332	6-78, 7-18, 8-28	76562	6-9
75740	6-21, 6-23	76335	6-3, 8-28	76568	6-27, 6-31
75757	6-21, 6-23	76340	6-169	76570	6-51, 6-69, 8-22,
75760	6-27, 6-28	763477	10-15, 10-17		16-19
75761	6-27, 6-28, 6-29,	763483	10-17	76583	6-9, 6-11
	6-31	76353	6-169	76589-2	7-18, 7-19
75764	6-17	76354	6-9, 6-171	76596A	6-71
75766	6-17	763887	15-12	76596A-1	6-71
75768	6-27, 6-31, 6-49	76390	6-39, 6-169	76602	6-44
75769	6-27	76391	6-169	76628	6-17
75772	6-27, 6-31	76392	6-168	76640	6-8, 6-11
75773	6-27	76395	6-4, 6-165	76649	6-37
75774	6-31	76403	6-165	76650	6-9, 6-11
75780	6-27, 6-31	76426	6-165, 6-167, 9-4,	76665	6-31
75781	6-28, 6-29		9-14	76667	6-27
75786	6-27, 6-31	764402	15-5	76677	6-23
75788	6-21	764403	15-23	76736	6-92, 8-34, 8-35
75789	6-23	764408	15-11, 15-27	76762	6-45, 6-70
75790	6-21	764409	15-11, 15-12	76811	6-8, 6-13
75791	6-21	764410	15-26	76813	6-9
75795	6-23	764412	15-12	76816	6-42
75796	6-23	764414	15-12	76821	6-39

# CROSS REFERENCE

Part Number	Page Number	Part Number	Page Number	Part Number	Page Number
76823	6-39	78043	6-87, 8-21	79092	11-19
76825	6-78, 6-83, 7-18, 7-21	78068	6-45	79101	6-34
76828	6-3, 6-4	78078	6-17	79102	9-3
76831	6-63	78080	6-43	79104	6-137, 6-139, 8-43
768481	6-33	78085	7-3	79105	6-137, 6-139, 8-43
768482	6-33	78088	7-3	79106	6-137, 6-139, 8-43
76858	9-7	78092	7-3	79107	6-137, 6-139, 8-43
76859	9-7	78093	6-169	79111	6-3
76860	9-7	78096	6-168	79112	6-3
76861	9-7	78104-4	6-9	79114	6-41, 8-39
76862	9-7	78116	9-17	79301	6-18
76863	9-17	78122	7-3, 7-5, 7-7	79314	6-128
76864	6-14	78127	9-15	79318	6-128
76866	6-13, 6-14	78140-1	6-9	79350	6-25
76867	6-13, 6-14	78143	6-154	79367	6-167
76868	6-14	78144B	6-71	79368	9-14
76869	6-9, 6-11	78153	9-3	79381	6-75
76870	6-14, 6-15	78154	9-6	79399	8-7
768897	6-75, 8-27	78156	9-17	79410	6-128
76896	6-168	78157	9-8	79424	6-167
76903	6-42	78161	9-6	79428	9-4
76904	6-42	78170	6-45, 6-47, 8-3	79429	9-13
76915	6-161	78190	6-37	79436	9-4
76921	6-168	78191	6-37	79451	6-167
76922-1	6-168	78517	11-3, 13-3, 14-3	79452	6-167
76927	6-168	78518	14-3	79464	6-167
76937	6-3, 6-4, 6-169	78519	14-3	79472-1	6-167
76946	6-169	78520	13-5, 14-5	79473-1	6-167
76955	6-11, 6-13, 6-53, 6-83, 6-89, 6-91, 7-7, 7-21, 8-21, 8-31	78521	14-5	79474	6-167
76956	6-11, 6-13, 6-70, 8-11	78522	14-5	79475	6-165
76957	6-65, 6-67, 6-69, 8-13, 8-15	78523	14-5	79476	6-167
76958	8-34	78524	14-5	79477	6-167
76974-1	6-168	78525	14-5	79478	6-167
76978	6-168	78526	14-5	79484	6-25, 6-163
76979	6-168	78527	14-5	79488	6-167
76984-1	6-168	78528	14-5	79500	6-165, 6-167
76988	6-169	78529	14-5	79508-1	9-9
77003	10-35	78531	14-13	79515	9-9
77097	6-17, 6-159, 6-169	78560	6-169	79517	9-9
77099	6-143, 6-145, 8-45	78561	6-169	79518	9-9
77342	6-75, 8-27	78562	6-21, 6-23	79532	9-13
77602	8-35	78641	6-168	79535	9-13
77693	8-9	78642	6-169	79536	6-83
77789	8-9	78670	6-155	79538	9-13
77880	11-5, 13-7, 14-7	78673	6-155	79545	6-4, 6-167, 9-13
77891	11-9	78695	6-169	79546	9-13
77895	11-17, 13-18, 14-18	78802	6-4	79547	9-13
77896	13-5	79066	6-41, 8-39	79553	6-167
78005-2	6-45, 6-47, 8-3, 8-5, 8-7	79067	6-41, 8-39	79557	6-4, 6-165
78012	6-13, 6-14	79068	6-41, 8-39	79558	6-165
78013	7-24	79069	6-41, 8-39	79567	6-165
78014	7-24	79070	6-41, 8-39	79570	6-167
78017	7-24	79073	6-41	79580	6-163
		79074	6-41, 8-39	79605	6-15
		79075	6-150, 6-151, 8-48	79606	6-25
		79077	6-41, 8-39	79708	10-9, 10-13
		79078	6-147, 8-47, 10-17	79711	10-35
		79079	6-137, 8-43	79742	10-7, 10-11
		79080	6-41, 8-39	79743	10-7
		79091	11-19	79744	10-7

## CROSS REFERENCE

<b>Part Number</b>	<b>Page Number</b>	<b>Part Number</b>	<b>Page Number</b>
79745	10-7	9003927	9-20
79746	10-7	9003928	9-20
79747	10-7, 10-11	9003929	9-20
79748	10-9, 10-13	9004033	16-17
79749	10-9, 10-13	9004034	16-17
79750	10-9, 10-13	9004035	16-17
79751	10-9, 10-13		
79752	10-9, 10-13		
79753	10-9, 10-13		
79754	10-20		
79755	10-20		
79756	10-20		
79757	10-20		
79758	10-20		
79759	10-20		
79760	10-20		
79761	10-20		
79762	10-20		
79763	10-20		
79764	10-20		
79765	10-20		
79766	10-20		
79767	10-20		
79771	10-7		
79776	10-20		
79779	10-7, 10-11		
79828	10-23		
82526	8-21		
82661	6-141, 8-46		
82686	8-21		
82829	6-45, 6-70, 6-85, 6-89, 8-11, 16-15		
82832	6-135, 6-137, 6-139, 8-43		
82833	6-161		
82835	6-135, 6-137, 8-43		
82921	6-13		
82958	6-165, 6-167		
83581	6-53		
83591	6-89		
86029	6-39, 6-41, 8-39		
86041	6-45		
86328	6-87		
86759	6-19		
87246	8-9		
87308	6-69		
87536	6-125, 6-127, 7-23, 8-65		
87579	6-21, 6-23		
87783	6-151		
87866	6-125, 6-127, 7-23, 8-65		
87972	6-73, 8-25		
9000355	6-91		
9000887	10-37		
9001039	6-11		
9001041	6-11		
9001222	6-75		
9001223	8-27		
9003796	16-17		



## PART DESCRIPTION TO PAGE NUMBER CROSS REFERENCE LIST

**A**

Actuator, Governor, Die, 8-5  
 Actuator, Valve, 10-9, 10-13  
 Adapter, 6-167, 9-11, 11-16, 13-5,  
 14-5, 15-15  
 Adapter (For Engine 16850), 13-5  
 Adapter, Cylinder Rod, 6-169  
 Adapter, Filter, 1/8NPT, 6-78, 6-79,  
 7-18, 7-19, 8-28  
 Adapter, Fuel Filter, 14-5  
 Adapter, Fuelline, 6-89  
 Adapter, Injection Pump, 14-5  
 Adapter, Inlet Tube, 11-10, 13-11  
 Adapter, Oil Filter, 11-17, 13-18, 14-18  
 Adapter, Throttle Body, 7-13  
 Adapter, Valve, 400mm [Bosch], 7-17  
 Adaptor, 15-3  
 Adaptor Assembly, 10-4  
 Adaptor, Actuator, Governor/Eng, Dsl,  
 8-5  
 Adaptor, Cshaft Pulley, 8-5  
 Adaptor, Cylinder, 6-169  
 Adaptor, Filter, Remote, 6-70  
 Adaptor, Fltr, Oil, Rework, 8-11  
 Adaptor, Intake, Lpg [3.0l], 7-13  
 Adaptor, Squeegee Wand, 9-13  
 Adaptor, Tank, 9-13  
 Adaptor, Vacuum Wand, 9-13  
 Adaptor, Valve, Fuel Trim, 7-13  
 Adjuster, 15-14  
 Adjuster Assembly, Seat, 6-15  
 Adjuster, Rear, 6-168  
 Adjuster, Seat, 6-15  
 Air Cleaner, 6-79, 7-19, 8-28  
 Alternator, 6-45, 6-51, 8-3, 8-22, 16-26  
 Alternator, 12vdc, 075a [Valeo], 6-53,  
 6-55  
 Ammeter, 6-125  
 Anchor, Governor Spring, 11-16  
 Angle, Brake Adjustment, 6-42  
 Angle, Cable, 6-44  
 Angle, Grille, 6-9  
 Angle, Heat, Shield, 6-53  
 Angle, Mounting Bracket, 8-3  
 Angle, Shock, 6-39  
 Angle, Shock Mount, 6-39  
 Angle, Spring Mounting, 6-39  
 Arm, 8-3, 15-15  
 Arm Assembly, 6-168  
 Arm Assembly, Rocker, Exhaust, 11-7,  
 13-8, 14-8  
 Arm Assembly, Rocker, Intake, 11-7,  
 13-8, 14-8  
 Arm Assembly, Vertical Block, 6-168  
 Arm Kit, 12-3  
 Arm Wldt, Safety, Door, Eng, 6-13  
 Arm, Adjmt, Alternator, 6-55  
 Arm, Alternator, 6-53  
 Arm, Brake, 6-42  
 Arm, Brush Drive, 6-27, 6-31  
 Arm, Control, 6-25, 10-7, 10-11

Arm, Engine Cover Support, 6-9  
 Arm, Front Brush Idler, 6-28  
 Arm, L.H., 6-168  
 Arm, Pump Control, 6-39  
 Arm, R.H., 6-169  
 Arm, Rear Brush Idler, 6-29  
 Arm, Rocker, 11-11, 16-8  
 Atomiser, 15-17

**B**

Back Frame, 6-9  
 Backplate Kit, 10-5  
 Backplate S/A, 10-9, 10-13  
 Balancer, 12-11  
 Ball, 10-23, 10-25, 10-26, 12-3  
 Ball Bearing, 15-15  
 Ball Joint, 6-41, 6-44, 6-169, 8-3  
 Ball Joint,, 6-39, 8-39  
 Ball Joint, Upper, 6-39, 6-41, 8-39  
 Ball, Float, 6-165  
 Balljoint, 11-16  
 Band, Air Cleaner, 8-28  
 Band, Front, Squeegee, 6-168  
 Band, Rear, Squeegee, 6-169  
 Band, Squeegee, Retaining, 6-21, 6-23  
 Bar, Flt, Rbr, 0.38 X 6.00 X 18.00l, 6-4  
 Bar, Mounting, 6-25  
 Barrel, Trip, 6-169  
 Base, Brg Hsng, 6-77  
 Base, Fuel Filter, 14-5  
 Battery, 12v, 0700cca, Ah, Wet, 8-35  
 Battery, 12vdc, 1000cca, Ah, Wet, Ul,  
 8-34  
 Battery, 540 CCA, 6-92  
 Bearing, 6-17, 6-18, 6-27, 6-28, 6-29,  
 6-31, 6-77, 6-157, 6-161, 8-67,  
 10-4, 10-7, 10-9, 10-11, 10-13,  
 10-21, 10-24, 15-15  
 Bearing [-0.25mm], 16-5  
 Bearing [-0.50mm], 16-5  
 Bearing [-0.75mm], 16-5  
 Bearing Assembly, Cup and Cone, 6-35  
 Bearing Kit, 12-7, 12-12, 15-5  
 Bearing Kit, .001 U.S., 12-7  
 Bearing Kit, .001 #1, 2, 3, 4, 12-11  
 Bearing Kit, .001 #5, 12-11  
 Bearing Kit, .010 #1, 2, 3, 4, 12-11  
 Bearing Kit, .020 #1, 2, 3, 4, 12-11  
 Bearing Kit, .025 #5, 12-11  
 Bearing Kit, .030 #1, 2, 3, 4, 12-11  
 Bearing Kit, Crankshaft, 0.25 mm  
 undersize, 11-8  
 Bearing Kit, Crankshaft, 0.50 mm  
 undersize, 11-8  
 Bearing Kit, Crankshaft, 0.75 mm  
 undersize, 11-8  
 Bearing Kit, Crankshaft, 1.00 mm  
 undersize, 11-8  
 Bearing Kit, Crankshaft, Standard, 11-8

Bearing Kit, Main, 0.25 mm Undersize,  
 13-9, 14-9  
 Bearing Kit, Main, 0.50 mm Undersize,  
 13-9, 14-9  
 Bearing Kit, Main, 0.75 mm Undersize,  
 13-9, 14-9  
 Bearing Kit, Main, 1.00 mm Undersize,  
 13-9, 14-9  
 Bearing Kit, Main, Standard, 13-9, 14-9  
 Bearing Kit, Std, 12-7  
 Bearing Kit, Std #1, 2, 3, 4, 12-11  
 Bearing Kit, Std #5, 12-11  
 Bearing, Ball, 6-157, 8-3, 8-67, 16-13  
 Bearing, Ball, 0.67b 1.57d 0.47w, 6-45  
 Bearing, Connecting Rod, 0.25 mm  
 Undersize, 11-9, 13-10, 14-10  
 Bearing, Connecting Rod, 0.50 mm  
 Undersize, 11-9, 13-10, 14-10  
 Bearing, Connecting Rod, 0.75 mm  
 Undersize, 11-9, 13-10, 14-10  
 Bearing, Connecting Rod, 1.00 mm  
 Undersize, 13-10, 14-10  
 Bearing, Connecting Rod, 1.00  
 mmundersize, 11-9  
 Bearing, Connecting Rod, Standard,  
 11-9, 13-10, 14-10  
 Bearing, Fiberglide, 6-168  
 Bearing, Flange, 6-39, 6-41, 6-43,  
 6-169, 8-39  
 Bearing, Idler Pulley, 6-77  
 Bearing, Liner, 6-161  
 Bearing, Needle, 10-25, 10-26  
 Bearing, Pillow Block, 6-168  
 Bearing, Rocker Shaft, 11-11  
 Bearing, Rod, Connecting, 16-5  
 Bearing, Self-Aligning, 6-161, 10-30  
 Bearing, Sleeve, 6-18  
 Bearing, Std, 16-5  
 Bearing, Thrust, 6-21, 6-23, 6-41,  
 6-161, 8-39, 10-4  
 Bearing, Thrust, 0.53b 1.00d 0.03w,  
 6-169  
 Belcrank, 6-39  
 Bell Crank, 10-20  
 Bellcrank, 6-25  
 Belt, Alternator, 6-51, 8-22  
 Belt, Fan, 6-77  
 Belt, Pump, Water, 16-17  
 Belt, Ribbed, [K 8], 70.0l, 8-67  
 Belt, V, 39.6l [3v, Hc41], 6-53, 6-55  
 Blade, Front, 6-3  
 Blade, Front Squeegee, Urethane, 6-169  
 Blade, Front, Squeegee, 6-168  
 Blade, Rear, 6-3  
 Blade, Rear, Squeegee, 6-169  
 Blade, Rear, Squeegee, Urethane, 6-169  
 Blade, Sqge, Front, Linatex, 6-4  
 Blade, Sqge, Linatex, Side, 6-4  
 Blade, Sqge, Rear, Linatex, 6-4  
 Blade, Squeegee, 6-3, 6-21, 6-23, 9-18  
 Blade, Squeegee, Urethane, 6-21, 6-23

## CROSS REFERENCE

- Block Group, Cyl, 16-3  
Block, Spacer, Fan Mount, 6-77  
Block, Terminal, 4 Connector, 6-127, 7-23, 8-65  
Board, P.C., 6-125  
Board, Terminal, 6-125  
Body and Gear Kit, Front, 10-5  
Body and Gear Kit, Rear, 10-5  
Bolt, 6-57, 6-59, 7-9, 7-11, 7-14, 10-23, 12-3, 12-5, 12-7, 12-9, 12-11, 12-12, 15-17, 15-18  
Bolt (1/4-20x.62), 12-9  
Bolt (5/16-18x5/8), 12-9  
Bolt (1/4-20x1/12 Hex), 12-12  
Bolt (1/4-20x1/12), 12-12  
Bolt (1/4-20x1/2), 12-9  
Bolt (5/16-18x1.5 Hex), 12-12  
Bolt, (HFH3/8-16x062 280 POR), 12-5  
Bolt, Bracket, 16-8  
Bolt, Carriage, 6-25  
Bolt, Clutch, 6-47, 6-49  
Bolt, Connecting Rod, 11-9, 13-10, 14-10  
Bolt, Eye, 6-157, 6-169, 8-67  
Bolt, Eye, Lift, 6-49  
Bolt, Hold Down, 6-92, 8-34, 8-35  
Bolt, Rod, Connecting, 16-5  
Bolt, Starter, 6-47, 6-49  
Boot, 8-3  
Boot, 90deg .62d .44d Red, 8-35  
Boot, Battery, 8-3  
Boot, Electric, 6-45  
Boot, Switch, 6-125, 6-127, 7-23, 8-65  
Box, Radiator, 8-25  
Brace Wldt, Cover, Eng, 6-11  
Brace, Engine Compartment, 6-9  
Brace, Rear Panel, 8-28  
Brace, Rear Shroud, 6-78, 6-79, 6-81, 6-83, 7-18, 7-19, 7-21, 8-29  
Brace, Shrd, Rear, Lh, 8-31  
Bracket, 6-25, 12-3, 12-9, 15-9, 16-8, 16-15, 16-23  
Bracket [Epr], 7-17  
Bracket Mounting Assembly, Fan, 6-157, 8-67  
Bracket Wldt, Mtg, 8-67  
Bracket Wldt, Mtg, Column, Strg (Diesel), 6-11  
Bracket Wldt, Mtg, Eng, Rear, 6-49  
Bracket Wldt, Mtg, Motor [2007], 6-75  
Bracket Wldt, Mtg, Rear, Rh, 8-7  
Bracket Wldt, Mtg, Tank, Lpg, 7-7  
Bracket Wldt, Mtg, Valve, 6-145, 8-45  
Bracket Wldt, Steering Column (Gas/Lpg), 6-11  
Bracket, Bottom, 12-5  
Bracket, Adaptor, Storage, 9-13  
Bracket, Alternator, 6-51, 6-53, 6-55, 11-16, 13-17, 14-17  
Bracket, Angle, 6-157, 8-67  
Bracket, Battery, 8-34  
Bracket, Battery, L, 6-92, 8-35  
Bracket, Bearing, 6-29  
Bracket, Bearing Mount, 6-31  
Bracket, Bearing, L.H., 6-27  
Bracket, Bearing, R.H., 6-28  
Bracket, Box, Relay, 6-61, 7-16  
Bracket, Brake, 6-37  
Bracket, Brake Cable, 6-42  
Bracket, Bridge, 6-21, 6-23  
Bracket, Cable, 6-41, 8-39  
Bracket, Cable & Alarm, 6-41, 8-39  
Bracket, Coil (Replaced by 79092), 11-19  
Bracket, Control Valves, 6-143  
Bracket, Engine Mounting, 6-44, 8-3  
Bracket, Exhaust, 6-67  
Bracket, Exhaust Mounting, 6-63  
Bracket, Exhaust Support, 6-63  
Bracket, Filters Mounting, 6-149, 6-150, 8-48  
Bracket, Flasher, 9-4  
Bracket, Fltr, Fuel, 6-89  
Bracket, Fltr, Oil, 8-11  
Bracket, Fuel Pump, 13-5  
Bracket, Guard, Alternator, Hd [Gm3.0], 6-55  
Bracket, Hose, 6-9, 6-11  
Bracket, L.H. (not shown), 6-19  
Bracket, LPG Tank, 7-3  
Bracket, LPG Tank Mounting, (Replaced by None), 9-14  
Bracket, Main, 6-41, 8-39  
Bracket, Manifold, Mtg [550/1550 07], 6-91  
Bracket, Mount, 7-3  
Bracket, Mounting, 6-27, 6-157, 6-169, 8-67  
Bracket, Mounting Engine, 6-44, 6-45  
Bracket, Mounting, 1550, 6-155  
Bracket, Mtg, 7-9, 7-11  
Bracket, Mtg, Bearing, 6-41, 8-39  
Bracket, Mtg, Fltr, Oil, Hyd, 6-151  
Bracket, Mtg, Front, Lh, 8-7  
Bracket, Mtg, Front, Rh, 8-7  
Bracket, Mtg, Fuel Tank [550/1550 07], 6-91  
Bracket, Mtg, Manifold, 6-153  
Bracket, Mtg, Motor, 6-159  
Bracket, Mtg, Overflow, 6-73, 8-25  
Bracket, Mtg, Rear, Lh, 8-7  
Bracket, Mtg, Vac Fan, 6-159  
Bracket, Mtg, Valve, 6-153  
Bracket, Pipe, Exhaust, 6-65, 8-13, 8-15  
Bracket, Pipe, Exhaust [550/1550 07], 6-69  
Bracket, R.H., 6-19  
Bracket, Radiator, 6-71, 6-73, 8-25  
Bracket, Resistor (Replaced by 79092), 11-19  
Bracket, Shield, Heat, 6-67  
Bracket, Shield, Heat [550/1550 07], 6-69  
Bracket, Shroud, Rear, 6-11  
Bracket, Sppt, Hose, 6-83, 7-21  
Bracket, Sppt, Hose, Intake, 8-31  
Bracket, Starter, 6-47, 6-49  
Bracket, Stop, 6-41, 8-39  
Bracket, Switch, 6-25, 6-169  
Bracket, Switch Mounting, 6-169  
Bracket, Taillight, 9-3  
Bracket, Tank, 7-5, 7-7  
Bracket, Throttle, 6-44, 8-3  
Bracket, Tie-Down, Rear, [550], 6-11  
Bracket, Top, 12-5  
Bracket, Tow Bypass, 6-8, 6-155  
Bracket, U, 9-13  
Brake Assembly, Hydraulic, 6-43  
Brake, Mechanical, 6-42  
Breather, Filler, 6-141, 8-46  
Brush, 6-3, 6-21, 6-23  
Brush Assembly, 6-45, 8-3  
Brush Assy, Strip, 4.0l, Pyp, 6-4  
Brush, Abrasive Bristle, 6-7  
Brush, Polypropylene, 6-7  
Bulb, 9-3, 9-4, 9-5, 9-6  
Bulb, Sealed Beam, 9-3  
Bumper, Rbr, 0.6d 0.34t .3d Tip, 6-13  
Bumper, Rbr, 1.0d 0.50t 0.22h, 6-13  
Bumper, Rear, L.H., 1550, 6-155  
Bumper, Rear, R.H., 1550, 6-155  
Bumper, Rubber, 6-9  
Bushing, 6-45, 8-2, 10-7, 10-9, 10-11, 10-13, 15-3, 15-5, 15-11, 16-3, 16-5  
Bushing (Not Shown), 15-11  
Bushing, Piston Pin, 11-9, 13-10, 14-10  
Bushing, Seal, 10-25, 10-26  
Button, Horn, 6-32, 8-37  
Button, Plug, 0.50h .03-.12 [Black Nyl], 6-127, 7-23, 8-65  
Button, Plug, 0.56h .03-.12 [Black Nyl], 6-127, 7-23, 8-65  
Button, Plug, 1.25h .03-.08 [Black Poly], 8-27  
Button, Plug, 1.25h .06-.09 [Chrome Stl], 6-127, 7-23, 8-65  
Button, Plug, 2.09h .05-.06 [Chm Stl], 7-23

## C

- Cable, 15-27  
Cable Assembly, Brake, Separate Spring, 6-42  
Cable Assembly, Push-Pull, 6-44  
Cable Kit, Ele, Eng [Usb,Tier li Gm], 9-20  
Cable, .13d, 26.7l, .50eye /.25eye, 7-7  
Cable, Battery, Neg 2ga 60.0l .41 Hole, 8-35  
Cable, Battery, Pos 2ga 78.0l .41h, 8-35  
Cable, Choke, 6-44  
Cable, Control, 6-25  
Cable, Grounding, 6-45, 8-5  
Cable, Negative Battery, 6-92, 8-34  
Cable, Positive Battery, 6-92, 8-34

- Cable, Pull, 70.5l, .3clevis/.23ball, 8-9
- Cable, Push-Pull, 6-41
- Cable, Push/Pull, 31.5l, 3.0 .25-28, 8-39
- Cable, Push/Pull, 33.5l, 8-39
- Camplate S/A, 10-7, 10-11
- Camshaft, 11-7, 12-12, 13-8, 14-8, 15-11, 15-15, 16-9
- Cap, 6-167, 11-18, 12-12, 15-7, 15-23, 16-3, 16-7, 16-8
- Cap And Filler Block, Rear Bearing, 11-3, 13-3, 14-3
- Cap and Gasket, 11-18
- Cap Screw, 10-7, 10-11, 10-25, 10-26
- Cap, Adapter, 6-167
- Cap, Breather, Hyd, W/ Basket, 5.3 Ds, 6-142
- Cap, Contact, 6-32, 8-37
- Cap, Crankshaft, 11-3
- Cap, Crankshaft Bearing, 11-3, 13-3, 14-3
- Cap, Crankshaft Bearing, Front, 13-3, 14-3
- Cap, Cyl Assy, Master Brake, 6-43
- Cap, Distributor, 12-5
- Cap, End, 10-26
- Cap, Filler, 6-167, 16-11
- Cap, Filler, Oil, 16-7
- Cap, Fuel Tank, 6-85, 6-87, 8-17, 8-19
- Cap, Fuel, Tank, 6-91
- Cap, Gasket, 11-18
- Cap, Gasoline, Protectoseal, 9-15
- Cap, Hub Dust, 6-35
- Cap, Nozzle, 16-23
- Cap, Oil Fill, 12-3
- Cap, Oil Filler, 11-16, 13-17, 14-17
- Cap, Radiator, 6-71, 8-23
- Cap, Radiator, 15psi, 6-73, 8-25
- Cap, Radiator, 15psi, [Stant A02502], 6-75, 8-27
- Cap, Tank, Fuel, 2.3neck 2.6d, 6-89, 8-21
- Cap, Tube, 6-32, 8-37
- Cap, Valve Spring, 12-3
- Carburetor Repair Kit, 11-16
- Carburetor and Gasket, Gasoline, 11-16
- Carburetor and Gasket, LPG, 11-16
- Carburetor, Gasoline, 11-16
- Carburetor, LPG, 11-16
- Caster, 6-169
- Catch, Door, Roller, 6-13
- Catch, Rubber Hook, 9-13
- Chain, 6-15, 6-21, 6-23
- Chain and Hook Assembly, 6-21
- Chain Assembly, 6-167
- Chain, Assembly, Door, 6-23
- Chain, Coil, Str, 2/0 14.1l 11 Link, 6-11
- Chain, Drain Plug, 6-165
- Chain, Sash, #35, 22.2l 40 Link, 7-5
- Chain, Static Drag, 6-9
- Channel Wldt, Mtg, Eng, Rear, 6-49
- Channel, Bearing Cover, 6-27, 6-28
- Channel, Mtg, Fan Motor, 6-75
- Charge Pmp Adap, 10-9, 10-13
- Check Valve, 10-29
- Circlip, 15-9, 15-13, 15-15
- Circuitbreaker, 15.0a, 6-127, 6-128, 7-23, 8-65
- Circuitbreaker, 20.0a, Resetable, 6-125, 6-127, 7-23, 8-65, 9-3
- Circuitbreaker, 20.0a, Resetable, 9-3
- Clamp, 6-9, 6-57, 6-59, 6-163, 7-9, 7-11, 7-14, 11-16, 12-5, 12-12, 15-17, 16-23
- Clamp, Fuel Filter, 14-5
- Clamp, Cable, 6-39, 6-85, 6-92, 8-17, 8-34, 8-35, 9-6
- Clamp, Cable, Stl, 0.25d X 0.56w, 1h, 8-19
- Clamp, Cable, Stl, 0.25d X 0.56w, 1hole, 6-91
- Clamp, Cable, Stl, 0.31d X 0.88w, 8-21
- Clamp, Cable, Stl, 0.44d X 0.62w, 1h, 6-87
- Clamp, Cable, Stl, 0.63d X 0.75w, 1h, 6-70, 6-89, 8-11, 16-15
- Clamp, Cable, Stl, 0.75d X 0.75w, 1h, 7-5, 7-7
- Clamp, Cable, Stl, 0.75d X 0.88w, 1h, 8-19
- Clamp, Cable, Stl, 1.50d X 0.75w, 1h, 6-87
- Clamp, Cable, Stl, 2.00d X 0.75w, 1h, 6-89, 6-91
- Clamp, Cable, Stl, 2.25d X 1.00w, 1h, 6-11
- Clamp, Cable, Stl, 3.00d X 1.00w, 1h, 6-11
- Clamp, Conduit, 9-5
- Clamp, Deflector, 6-167
- Clamp, Distributor, 11-18
- Clamp, Fuel Pump, 14-5
- Clamp, Fuel Tank, 6-85, 6-87, 8-17, 8-19
- Clamp, Hose, 9-11, 11-17, 13-17, 13-18, 14-17, 14-18, 16-17
- Clamp, Hose Support, 6-45
- Clamp, Hose, 1.0, 7-17
- Clamp, Hose, Spring Stl, 0.86d X 0.38w, 6-83, 7-21
- Clamp, Hose, Spring, 0.62d, 7-17
- Clamp, Hose, Wormdrive, 6-57, 7-9, 7-11
- Clamp, Hose, Wormdrive, 0.25-0.62d, 6-87, 8-19
- Clamp, Hose, Wormdrive, 0.25-0.62d, .31w, 6-89, 6-91, 8-7, 8-21
- Clamp, Hose, Wormdrive, 0.31-0.88d, .31w, 6-89
- Clamp, Hose, Wormdrive, 0.50-1.06d, .56w, 6-59
- Clamp, Hose, Wormdrive, 0.56-1.06d, 7-13
- Clamp, Hose, Wormdrive, 0.56-1.06d, .56w, 6-57, 7-17
- Clamp, Hose, Wormdrive, 0.81-1.50d, 6-70, 6-73, 8-25
- Clamp, Hose, Wormdrive, 0.81-1.50d, .50w, 7-9, 7-11
- Clamp, Hose, Wormdrive, 1.06-2.00d, 6-4
- Clamp, Hose, Wormdrive, 1.06-2.00d, .56w, 8-27
- Clamp, Hose, Wormdrive, 1.25-2.00d, .50w, 6-75
- Clamp, Hose, Wormdrive, 1.56-2.50d, 6-4, 6-57, 6-81, 8-29
- Clamp, Hose, Wormdrive, 1.56-2.50d, .50w, 6-83, 7-21, 8-31
- Clamp, Hose, Wormdrive, 1.62-3.50d, 6-4, 6-81, 8-29
- Clamp, Hose, Wormdrive, 1.62-3.50d, .56w, 8-31
- Clamp, Hose, Wormdrive, 1.81-2.75d, .56w (Gas/LPG Only), 6-161
- Clamp, Hose, Wormdrive, 3.25-4.12d, 6-73, 8-25
- Clamp, Hose, Wormdrive, 3.56-4.50d, 6-4
- Clamp, Hose, Wormdrive, 3.56-4.50d, .50w, 6-159
- Clamp, Injection Line, 13-5
- Clamp, Leak-Off Line, 13-5
- Clamp, Mounting, 6-78, 6-79, 7-18, 7-19
- Clamp, Mounting, Air Cleaner, 6-81, 8-29
- Clamp, Mtg, Filter, Air, 6-83, 7-21
- Clamp, Muffler, 6-63
- Clamp, Muffler, 1.62d, 6-67, 6-69
- Clamp, Muffler, 1.75d, 6-65, 8-13, 8-15
- Clamp, Muffler, 1.88d, 6-65, 8-13, 8-15
- Clamp, Pickup Hose, 6-165
- Clamp, Squeegee Band, 6-169
- Clamp, Suction Tube, 6-167
- Clamp, Toggle, 6-165, 9-13
- Clamp, Tube, 6-43, 6-57
- Clamp, Vacuum Hose, 6-165
- Clamp, Worm Drive, 6-3, 6-18, 6-25, 6-28, 6-29, 6-71, 6-78, 6-79, 6-85, 6-163, 7-3, 7-18, 7-19, 8-17, 8-23, 8-28, 9-11, 9-13, 9-16
- Clamp, Wormdrive, 6-157, 8-67
- Clevis and Pin, 6-25
- Clevis, Adjustable, 6-43, 8-2
- Clevis, Brake Cable, 6-42
- Clip, 11-18, 15-5, 15-21, 15-25, 16-25
- Clip, Finger Grip, 9-13
- Clip, Rod End, 8-3, 11-16
- Cock, Drain, 6-71, 8-23, 11-3
- Cock, Water Drain, 13-3, 14-3
- Coil, 10-27, 11-19, 12-5
- Coil Assembly, Ignition (Replaced by 79092), 11-19
- Coil Replacement Kit, 11-19
- Collor, Locking, 6-41, 8-39
- Column, Steering, 6-32, 8-37
- Column, Steering, #2 8.0l .81d 36t00th, 6-33
- Conn Rod, 12-7

## CROSS REFERENCE

Connection, 15-3, 15-17, 15-18, 15-25  
Connector, 6-85, 6-87, 6-167, 8-17,  
8-19, 10-2, 11-16  
Connector Kit, Tubing, 10-3  
Connector, Fuel, Qf, 6-89, 6-91  
Connector, Oil Cooler, 11-17, 13-18,  
14-18  
Console, Instrument, 6-125, 6-128  
Contactor, 12Vdc, 8-32, 8-33  
Control Assembly, Throttle, 6-44  
Control Harness, 8-32  
Control Panel Assembly, 6-128  
Control Unit Kit, 8-32, 8-33  
Control Unit, Glow Plug, 8-32  
Control, Electronic, Gas, 10-39  
Control, Manual, 10-20  
Control, Manual (See Breakdown), 10-7,  
10-11  
Control, Steering (See Breakdowns),  
6-32, 8-37  
Controller, 8-33  
Controller Kit, Replmt, 10-37  
Converter, Lpg, 7-13  
Cooler, 16-19  
Cooler, Hyd 25gpm 400btu Of16  
19x18x2, 6-73, 8-25  
Cooler, Hyd, 30gpm 800btu, 6-75, 8-27  
Cooler, Hydraulic, 6-71  
Cooler, Oil, 11-17, 13-18, 14-18  
Cotter, 15-7  
Coupler, 10-9, 10-13  
Coupling, 8-5  
Coupling Assembly, Drive, 6-45  
Coupling, Air Cleaner Tube, 6-78, 6-79,  
7-18, 7-19  
Coupling, Drive, Flex, 10.3d/15tooth,  
8-7  
Coupling, LPG Tank, 7-3  
Coupling, Suction Hose, 6-165  
Cover, 12-3, 12-7, 12-9, 12-11, 15-11,  
15-17, 15-23, 16-7, 16-19  
Cover Assembly, Gear, 11-11, 14-12  
Cover Cap, 10-25  
Cover, Access, Governor, 6-11  
Cover, Cylinder Head, 11-5, 13-7, 14-7  
Cover, Dust, 11-18  
Cover, Fuel Pump, 13-5, 14-5  
Cover, Fuel Pump Hole, LPG, 11-18  
Cover, Gear, 13-12, 16-11  
Cover, Governor, 6-9  
Cover, Grease, 6-157, 8-67  
Cover, Grease Fitting, 6-28, 6-29  
Cover, Headlock, 6-17  
Cover, Horn Button, 6-32, 8-37  
Cover, Hose, 7-17  
Cover, Liquid Level Probe, 6-167  
Cover, Pump, 6-163, 6-165  
Cover, Sandblast, 6-165  
Cover, Starter, 6-11  
Cover, Steering Wheel, 6-33  
Cover, Switch, 6-169  
Cover, Terminal, 8-3  
Cover, Thermostat, 16-17

Cover, Timing Hole, 14-13  
Cradle Sub Assy, 10-7, 10-11  
Crank Replacement Kit, 10-3  
Crankshaft, 11-8, 12-11, 13-9, 14-9  
Crankshaft Assy, 16-5  
Cup, Contact, 6-32, 8-37  
Cylinder Block Kit, 15-3  
Cylinder Head Copy, 15-23  
Cylinder Head Kit, 15-7  
Cylinder, Hyd, 2.0b 08.0l 04.00strk 2500,  
6-17, 6-169  
Cylinder, Hydraulic, 10-30  
Cylinder, Hydraulic (See Breakdowns),  
6-161  
Cylinder, Master Brake, 6-43

## D

Dam, Sand, L.H., 6-165  
Dam, Sand, R.H., 6-165  
Dampener, Eng, 6-47, 8-5  
Dampner, Engine, 6-45, 8-3  
Data Plate, LPG, 7-24  
Decal, Control Panel, 6-128  
Decal, Danger, Keep Out, 6-165  
Decal, Diesel Fuel Only, 8-17  
Decal, Fan Suction, 6-165  
Decal, Fill Tank, 6-167  
Decal, Jack Only On Pad, 6-165  
Decal, SRS, 6-165  
Decal, SRS Cleaning Solution, 6-167  
Decal, TENNANT Logo, 6-165  
Decal, Warning, Lock Scrubber Head,  
6-25  
Deflector, 6-28  
Deflector Assembly, Brush, 6-21  
Deflector Assembly, Brush, L.H., 6-23  
Deflector Assembly, Scrub Brush, 6-18  
Deflector, Scrub Brush, 6-18  
Deflector, Spray, 6-167  
Detent Kit, 10-28  
Diffuser, Vacuum, 1550, 6-19  
Diode and Rectifier Assembly, 8-3  
Diode Assembly, LPG, 7-3  
Dipstick, 12-7, 15-21  
Dipstick, Oil, Eng, 16-3  
Disk, Brake, 6-37  
Distributor, 12-5  
Distributor Assembly, 11-18  
Distributor Assembly, (replaced by  
09892), 11-18  
Door, 6-165  
Door Wldt, Access Top (Gas) (Diesel),  
6-8  
Door Wldt, Access Top (LPG), 6-8  
Door Wldt, Access, Front, Lh, 6-13  
Door Wldt, Access, Side, Lh, 6-13  
Door Wldt, Access, Side, Rh, 6-13  
Door Wldt, Access, Top, Lh (Gas)  
(Diesel), 6-13  
Door Wldt, Access, Top, Lh (LPG), 6-13  
Door Wldt, Eng, Top, [1550], 6-13  
Door, Access, Side, L.H., 6-8

Door, Engine Cover, 6-8, 7-24  
Door, Lower, 6-167  
Door, Rear Side Access, 6-9  
Door, Rear Side Access, L.H., 6-9  
Door, Rear Side Access, R.H., 6-9  
Door, Squeegee, 6-21  
Door, Squeegee, L.H., 6-23  
Door, Upper, 6-167  
Dowel, 15-3, 15-11, 15-13, 15-17  
Dowel Bushing, 10-7, 10-11  
Dowel Pin, 10-20  
Dowel, Bearing Cap, 11-3  
Dowel, Bearing Cap, Front and Rear,  
13-3, 14-3  
Dowel, Ring, 11-12, 13-13, 14-13  
Drain Kit, Solution Tank, 9-16  
Drive, 10-21, 10-23, 10-24, 10-25,  
10-26

## E

Elbow, 6-43, 8-28, 11-19  
Elbow, #3 Inlet, 13-5  
Elbow, 90°, 8-28  
Elbow, Air Cleaner, 6-78, 6-79, 7-18,  
7-19  
Elbow, Carburetor, 6-78, 6-79, 7-18,  
7-19  
Elbow, Fuel Injection Pump, 14-5  
Elbow, Intake Manifold (Replaced by  
None), 13-17, 14-17  
Elbow, Water Header, 11-17, 13-18,  
14-18  
Elbow, Water Outlet, 11-15, 13-16,  
14-16  
Elbow, Water Pump, 11-17, 13-18,  
14-18  
Element Assembly, Air Cleaner, 6-3  
Element, Air Cleaner, 6-3, 8-28  
Element, Air Filter, 6-78, 6-79, 7-18,  
7-19  
Element, Filter, 6-149, 6-150, 8-48  
Element, Fltr, Air, 6-81, 8-29  
Element, Fltr, Air (Diesel), 6-4  
Element, Fltr, Air (Gas), 6-4  
Element, Fltr, Air-Clnr, 8-31  
Element, Fltr, Air-Clnr (Diesel), 6-4  
Element, Fltr, Air, [Dn#P831424], 6-83,  
7-21  
Element, Fltr, Air, [Dnp822858] Safety,  
6-83, 7-21  
Element, Fltr, Air, Safety, 9-19  
Element, Fltr, Fuel, 8-19, 8-21  
Element, Fltr, Fuel (Diesel), 6-4  
Element, Fltr, Fuel Lpg [Coalescent,  
7-11  
Element, Fltr, Oil, Spin-on [Dn], 6-151  
Element, Fltr, Oil, Spin-on [Dn] (Gas),  
6-4  
Element, Fuel Filter, 6-3, 13-5, 14-5  
Element, Hydraulic Filter, 6-3  
Element, Hydraulic Filter (Diesel), 6-4  
Element, Hydraulic Filter (Gas), 6-4

Element, Oil Filter, 6-3, 11-17, 14-18  
 Element, Oil Filter (For Engine 16850), 13-18  
 Element, Oil Filter (For Engine 34910), 13-18  
 Engine and Pump, 9-11  
 Engine Assy, Dsl [550/1550] (See Cat Engine Breakdown, Diesel), 8-7  
 Engine Assy, Gas, Clsd Loop [Gm, 3.0] (See GM Engine Breakdown, Gasoline, LPG), 6-49  
 Engine Assy, Lpg, Clsd Loop [Gm, 3.0] (See GM Engine Breakdown, Gasoline, LPG), 6-49  
 Engine, (Replaced by 65951) (See 61697 Continental Engine Breakdown, Diesel), 8-3  
 Engine, Block, Long [GM3.0L](See GM Engine Breakdown), 6-49  
 Engine, Diesel, TM27, (See 65951 Continental Engine Breakdown, Diesel), 8-3  
 Engine, Gasoline, TM27 (Replaced by 65947)(See Continental Engine Breakdown, Gasoline, LPG), 6-45  
 Engine, Gasoline, TM27 (See Continental Engine Breakdown, Gasoline, LPG), 6-45  
 Engine, Lpg, TM27 (See Continental Engine Breakdown, Gasoline, LPG), 7-3  
 Engine, Partial (Includes block, pistons, rods, crankshaft, bearings, rear seal gasket), 12-7  
 Engine,, 3.0 Liter, Gas/Lpg (See GM Engine Breakdown, Gasoline, LPG), 6-47  
 Exhaust Manifold, 15-26  
 Exhaust Valve, 15-7  
 Extension Kit, Side Squeegees, 9-18  
 Extinguisher Kit, Fire, 9-15  
 Extinguisher, Fire, 9-15  
 Eye, Lift, 6-47  
 Eye, Lifting, 11-5, 13-7, 14-7  
 Eyebolt, 6-92, 8-35

**F**

Fan, 6-71  
 Fan Assembly, Vacuum, 6-157, 8-67  
 Fan, Cooling, 18.0d, 8 Blade, 0.5b Taper, 6-75  
 Fan, Cooling, 18.0d, 8 Blade, 0.5b, Taper, 6-75  
 Fan, Cooling, 18.0d, 8 Blade, 2.2d Bc, 6-77, 8-25, 8-27  
 Ferrule, Insulation, 6-32, 8-37  
 Filter Assembly, Hydraulic, 6-149, 6-150, 8-48  
 Filter Assembly, Laminar Flow, L.H., 6-167  
 Filter Assembly, Laminar Flow, R.H., 6-167

Filter Assy, Fuel, Dsl, 8-21  
 Filter Head, Oil, Rework, 8-11  
 Filter Kit, Fuelock, (Lpg), 6-4  
 Filter Kit, Lpg Lockoff, 7-13  
 Filter, Air Cleaner Assembly, 6-81, 8-29  
 Filter, Air-Clnr, 8-31  
 Filter, Assy, Air, 6-83, 7-21  
 Filter, Fuel [Gm 1.6l/3.0l], 6-89, 6-91  
 Filter, Fuel [Gm 1.6l/3.0l] (Gas), 6-4  
 Filter, Fuel And Water Separator, 13-5  
 Filter, Fuel, Gasoline, 11-16  
 Filter, Fuel, In-Line, 6-87, 8-19  
 Filter, Fuel, In-line, (Diesel), 6-4  
 Filter, Fuel, In-line, (Gas), 6-4  
 Filter, Fuel, In-line, (Lpg), 6-4, 7-5  
 Filter, Fuel, In-line, 02pm/08if, 6-87  
 Filter, Fuel, Lpg [Coalescent], 7-11  
 Filter, Laminar Flow, 6-167  
 Filter, Oil, 6-3  
 Filter, Oil (Gas, Lpg), 6-4, 6-70  
 Filter, Oil, (Diesel), 6-4, 8-11  
 Filter, Oil, Eng, 16-15  
 Filter, Oil, Eng (Diesel), 6-4  
 Filter, Solution Outlet, 6-167  
 Fitting, 6-57, 6-59, 6-70, 7-9, 7-11, 7-14, 16-15  
 Fitting Kit [Epr], 7-17  
 Fitting, Cap, 7-13  
 Fitting, 90 Deg, 6-70  
 Fitting, Adaptor, Fltr, Oil, Rework, 8-11  
 Fitting, Banjo, 13-5  
 Fitting, Brs, Adaptor, 7-13  
 Fitting, Brs, E90, Pf04/Pf02, 7-5  
 Fitting, Brs, E90, Pf04/Sm06, 7-5  
 Fitting, Brs, E90, Pm02/lf05, 6-87  
 Fitting, Brs, E90, Pm02/Sm04, 6-47, 8-5  
 Fitting, Brs, E90, Pm04/Pf04, 6-87  
 Fitting, Brs, E90, Bm06/Pm04, 6-89  
 Fitting, Brs, E90, Em05/Pm04, 6-91  
 Fitting, Brs, E90, lf05/Pm04, 8-21  
 Fitting, Brs, E90, Pm04/Pf04, 7-7, 7-11  
 Fitting, Brs, Qdc, Pf04 Lpg Fem, 7-5  
 Fitting, Brs, Qdc, Pf04 Lpg Fem, 7-7  
 Fitting, Brs, Rst, Pf04/.69-16f, .063, 7-11  
 Fitting, Brs, Str, 02mp, Service, 6-81, 8-29  
 Fitting, Brs, Str, Pf02/Pm06, 8-5  
 Fitting, Brs, Str, Pf04/Pf04 Bkhd, 7-5  
 Fitting, Brs, Str, Pm02/lf05, 8-19  
 Fitting, Brs, Str, Pm02/Sm04, 6-47, 8-5  
 Fitting, Brs, Str, Pm04/lf04, 6-87  
 Fitting, Brs, Str, Pm04/lf05, 6-87  
 Fitting, Brs, Str, Pm04/Pm04, 7-5  
 Fitting, Brs, Str, lf05/lf05, 6-89  
 Fitting, Brs, Str, lf05/Pm02, 8-21  
 Fitting, Brs, Str, lf05/Pm04, 8-21  
 Fitting, Brs, Str, Pf02/Pm06, 8-7  
 Fitting, Brs, Str, Pf04/Pf04, Bkhd, 7-7  
 Fitting, Brs, Str, Pm02, Service, 6-83, 7-21, 8-31  
 Fitting, Brs, Str, Pm02/lf05, 6-87

Fitting, Brs, Str, Pm04/Bm06, T, 7-11  
 Fitting, Brs, Str, Pm06/Pf04, 8-7  
 Fitting, Brs, Str, Pm08/Pf04, 7-11  
 Fitting, Brs, Tee, Pf04/Pf04/Pf04, 7-7  
 Fitting, Brs, Tee, Pf0j/Pf04/Pm04, 7-5  
 Fitting, Bshg, 6-61, 7-17  
 Fitting, Bulkhead, 7-3  
 Fitting, Cap, 6-45, 6-167  
 Fitting, Connector, 8-17, 8-19  
 Fitting, Coolant Plug, 10-37, 10-39  
 Fitting, Coupling, 6-25, 9-11  
 Fitting, Draincock, .25npt 90, 6-75, 7-11, 8-7, 8-27  
 Fitting, E70, 7-13  
 Fitting, E90, 6-61, 7-13, 7-17  
 Fitting, Elb, 6-57  
 Fitting, Elbow, 6-17, 6-25, 6-27, 6-31, 6-32, 6-45, 6-71, 6-85, 6-140, 6-141, 6-143, 6-146, 6-147, 6-149, 6-150, 6-154, 6-161, 6-163, 6-169, 7-3, 7-5, 8-3, 8-37, 8-45, 8-46, 8-47, 8-48, 9-8, 9-11, 16-13, 16-21  
 Fitting, Elbow, 45\_, 6-17, 6-25, 6-141, 6-143, 6-146, 7-3, 8-45, 8-46, 9-11  
 Fitting, Fuel Inlet, Gas, 10-39  
 Fitting, Fuel Inlet, Lpg, 10-37  
 Fitting, Fuel, Str, 0.38-24 [07 Eng], 6-91  
 Fitting, Fuel, Str, 0.56-18 [07 Eng], 6-91  
 Fitting, Grease, 6-17, 6-28, 6-29, 6-157, 6-161, 8-67, 10-30  
 Fitting, Grease, 45\_, 6-17  
 Fitting, Hose, 6-57  
 Fitting, Hose, 10hose/Pm06, 7-13  
 Fitting, Hose, Vacuum, .25, 7-13  
 Fitting, Hyd, Cap Jf06, 6-70  
 Fitting, Hyd, Cap Jf08, 8-11, 16-15  
 Fitting, Hyd, E45, Jm04/Pm08, 7-11  
 Fitting, Hyd, E45, Jm06/Jf06, 8-11  
 Fitting, Hyd, E45, Jm10/Om08, 6-145  
 Fitting, Hyd, E90, Jf06/Jm06, 6-148  
 Fitting, Hyd, E90, Jm04/Om04, 6-159  
 Fitting, Hyd, E90, Jm04/Om06, 6-145  
 Fitting, Hyd, E90, Jm06/Jm06, 6-70  
 Fitting, Hyd, E90, Jm06/Om05, 6-70  
 Fitting, Hyd, E90, Jm06/Om06, 6-142, 6-145  
 Fitting, Hyd, E90, Jm06/Om08, 8-11  
 Fitting, Hyd, E90, Jm06/Pm04, 7-7  
 Fitting, Hyd, E90, Jm08/Jm08 Bh, 8-11  
 Fitting, Hyd, E90, Jm08/Pm04, 7-11  
 Fitting, Hyd, E90, Jm10/Om08, 6-145  
 Fitting, Hyd, E90, Jm10/Om10, 8-11  
 Fitting, Hyd, E90, Jm12/Om10, 6-145, 6-148  
 Fitting, Hyd, E90, Jm12/Om16, 6-73, 6-148, 8-25, 8-27  
 Fitting, Hyd, E90, Jm16/Om16, 6-75  
 Fitting, Hyd, E90, Splc, 7-7  
 Fitting, Hyd, E90, Swivel Pf04/Pm04, 7-5  
 Fitting, Hyd, Plug, Om04, 10-35

## CROSS REFERENCE

- Fitting, Hyd, Plug, Om10, 6-142  
Fitting, Hyd, Plug, Om20, 10-19  
Fitting, Hyd, Str, 02bspmm/Pf02, 8-7  
Fitting, Hyd, Str, Jf16/Jm12, 6-142  
Fitting, Hyd, Str, Jm04/Jm04, 6-139  
Fitting, Hyd, Str, Jm04/Om06, 6-142  
Fitting, Hyd, Str, Jm05/Om06, 6-89  
Fitting, Hyd, Str, Jm06/Jf10, 8-11  
Fitting, Hyd, Str, Jm06/Om04, 6-75  
Fitting, Hyd, Str, Jm06/Om06, 6-33, 6-89, 6-145, 6-153  
Fitting, Hyd, Str, Jm06/Om06, L, 6-33  
Fitting, Hyd, Str, Jm06/Om08, 6-153  
Fitting, Hyd, Str, Jm06/Om10, 6-148  
Fitting, Hyd, Str, Jm06/Pm04, 7-7  
Fitting, Hyd, Str, Jm08/Om08, 6-153  
Fitting, Hyd, Str, Jm08/Om10, 6-75, 6-148, 6-159  
Fitting, Hyd, Str, Jm10/Om08, 6-142  
Fitting, Hyd, Str, Jm10/Om12, 6-148  
Fitting, Hyd, Str, Jm12/Om10, 6-145  
Fitting, Hyd, Str, Jm12/Om12, 6-153  
Fitting, Hyd, Str, Jm12/Om16, 6-148  
Fitting, Hyd, Str, Jm16/Om16, 6-142, 6-151, 6-153  
Fitting, Hyd, Str, Jm24/Om20, 6-142, 6-148  
Fitting, Hyd, Str, Metric, Om12/Pf04, 8-21  
Fitting, Hyd, Str, Metric, Om16/Pf06, 8-7  
Fitting, Hyd, Str, Om04/Qm04, 6-153  
Fitting, Hyd, Str, Pm02/Pm02, 6-87  
Fitting, Hyd, Str, Pm08/Pf02, 6-47  
Fitting, Hyd, Tee, Jf06/Jm06/Jm06, Br, 6-75  
Fitting, Hyd, Tee, Jf08/Jm08/Jm08, Run, 6-159  
Fitting, Hyd, Tee, Jf16/Jm16/Jm16, Run, 6-142  
Fitting, Hyd, Tee, Jm08/Jm08/Om08, Br, 6-153  
Fitting, Hyd, Tee, Jm08/Jm08/Om08, Run, 6-153  
Fitting, Nipple, 6-25, 7-3, 9-11  
Fitting, Nipple, .25mal, 7-17  
Fitting, Nipple, .25npt, Brs, 7-13  
Fitting, Pipe, E90, .75-16, 8-11, 16-15  
Fitting, Pipe, E90, Pm02/Pf02, 6-81, 6-83, 7-21, 8-29, 8-31  
Fitting, Pipe, Plug, Pm04 Hex Soc, 7-11  
Fitting, Pipe, Str, Pm04/Pm04 01.5l, Blk, 6-47  
Fitting, Pipe, Str, Pm04/Pm04 02.0l, Blk, 7-5  
Fitting, Pipe, Str, Pm04/Pm04 02.5l, Blk, 7-7  
Fitting, Pipe, Tee, Pf02/Pf02/Pf02, Blk, 6-47  
Fitting, Pipe, Tee, Pm06/Pf06/Pf06, 7-13  
Fitting, Plstc, Tee, Bm12/Pf08/Bm12, 7-11  
Fitting, Plstc, Tee, Bm12/Pf12/Bm12, 6-163  
Fitting, Plug, 6-43, 6-141, 6-154, 8-46  
Fitting, Plug, .50-20 Hex, 8-19  
Fitting, Restrictor, 6-143, 8-45  
Fitting, Str, 7-13, 16-15  
Fitting, Str, E90, .25npt, 7-13  
Fitting, Straight, 6-25, 6-27, 6-31, 6-32, 6-45, 6-71, 6-85, 6-135, 6-137, 6-140, 6-141, 6-143, 6-146, 6-147, 6-149, 6-154, 6-163, 6-169, 8-3, 8-17, 8-37, 8-43, 8-45, 8-46, 8-47, 9-8  
Fitting, Straight, Brass, 6-45  
Fitting, Tee, 6-25, 6-140, 6-141, 6-143, 6-146, 6-147, 6-149, 6-150, 6-154, 6-163, 7-3, 8-45, 8-46, 8-47, 8-48, 9-8  
Fitting, Plstc, Str, Bm06/M.69-16, 7-11  
Flange, 16-23  
Flange, Bearing, 6-27, 6-28, 6-29, 6-31  
Flange, Mounting, 10-21, 10-24  
Flap, Containment, 6-3, 6-4, 6-21, 6-23  
Flap, Wand, Vacuum (Gas/LPG Only), 6-161  
Flasher, 9-4  
Flywheel, 11-12, 14-13, 16-12  
Flywheel (For Engine 16850), 13-13  
Flywheel (For Engine 34910), 13-13  
Flywheel Assy, 15-19  
Foam, Acoustic, 6-157, 8-67  
Follower, Piston, 10-7, 10-11  
Frame Wldt, 6-11  
Frame Wldt, Tractor [550/1550], 6-11  
Frame, Main Tractor, 1550, 6-8  
Frame, Muffler, 6-157, 8-67  
Frame, Rear, 6-169  
Frame, Scrubber Head, 6-21, 6-25  
Frame, Side Squeegee, L.H., 6-23, 9-18  
Frame, Side Squeegee, R.H., 6-21, 9-18  
Frame, Spray Deflector, 6-167  
Frame, Squeegee, 6-19  
Fuel Filter Lock, 7-3  
Fueline, Bleeder, 16-23  
Fueline, Cyl #1, 16-23  
Fueline, Cyl #2, 16-23  
Fueline, Cyl #3, 16-23  
Fueline, Cyl #4, 16-23  
Fueline, Return, 16-23  
Fuelline, .31d 05if/None Stl, 8-21  
Fuelline, .31d Str/Str, Plstc, 6-89  
Fuelline, .31d 03.1l 05if/05if Stl, 6-87, 8-21  
Fuelline, .25d None/None Stl, 8-19  
Fuelline, .31d 05if/05jf Stl, 6-89  
Fuelline, .31d 05if/None Stl, 8-19  
Fuelline, .31d E90/Str, Plstc, 6-89  
Fuelline, .31d 05if/Qm Stl, 6-89  
Fuelline, .31d E90, 05/06, Plstc, 6-91  
Fuelline, .31d Str/Str, Plstc [8200], 6-91  
Fuelline, .31d 05if/05if Stl, 6-87  
Fuelline, Cpr .25d 04if/04if, 6-87  
Fuelline, Dsl [550], 8-21  
Fuse, 1 A, 6-125  
Fuse, 10 A, 6-128  
Fuse, 10 Amp, 6-123  
Fuse, 15 A, 6-125  
Fuse, 15 Amp, [Min-15], 6-123  
Fuse, 20 Amp, [Min-20], 6-123  
Fuse, 5 Amp, [Min-5], 6-123  
Fuse, 60 Amp, 6-123  
Fuse, 80 A, 8-32, 8-33

## G

- Gasket, 6-4, 6-57, 6-59, 6-65, 6-67, 6-85, 6-87, 7-9, 7-11, 7-13, 7-14, 8-11, 8-13, 8-17, 8-19, 12-3, 12-5, 12-9, 12-11, 12-12, 15-3, 15-17, 15-18, 15-25, 15-26, 15-28, 15-29, 16-11, 16-12, 16-15, 16-17, 16-21, 16-23  
Gasket Set, 11-5  
Gasket Set, Front, 11-11, 13-12, 14-12  
Gasket Set, Manifold, 11-13, 13-14, 14-14  
Gasket Set, Top, 14-7  
Gasket Set, Top (For Engine 16850), 13-7  
Gasket Set, Top (For Engine 34910), 13-7  
Gasket, Air Outlet, 6-4  
Gasket, Body, Throttle [1.6l], 6-59, 6-61, 7-13, 7-17  
Gasket, Carb, 6-59, 7-13  
Gasket, Carburetor, 11-16  
Gasket, Carburetor Air Horn, 6-78, 6-79  
Gasket, Coolant, 16-17  
Gasket, Cover, 6-165, 13-7, 14-7  
Gasket, Cover, Sandblast, 6-4  
Gasket, Cover, Side, 16-19  
Gasket, Cover, Valve, 16-7  
Gasket, Cylinder Head, 11-5, 14-7  
Gasket, Cylinder Head (For Engine 16850), 13-7  
Gasket, Cylinder Head (For Engine 34910), 13-7  
Gasket, Distributor, 11-19  
Gasket, Door, 6-4, 6-165  
Gasket, Door, Clean-Out, 6-4  
Gasket, Elbow, 11-15, 13-16, 14-16  
Gasket, Exhaust, 8-15, 16-21  
Gasket, Exhaust, .07, 1.63id, 2/3.4bc, 6-69  
Gasket, Exhaust, 2 Hole, 3.4bc, 6-67  
Gasket, Fan, 6-157, 8-67  
Gasket, Front Suction Tube, 6-165  
Gasket, Fuel Pump, 11-19, 13-5, 14-5  
Gasket, Gear Cover, 11-11, 13-12, 14-12  
Gasket, Head, 16-7  
Gasket, Head Cover, 11-5  
Gasket, Head, Rear, 16-7  
Gasket, Header, 11-15, 13-16, 14-16  
Gasket, Heater, Water, 16-19  
Gasket, Injection Pump, 13-5, 14-5  
Gasket, Intake, 8-3

Gasket, Lower Door, 6-167  
 Gasket, Lpg, Adapter [Gm 2007], 7-17  
 Gasket, Lpg, Mixer [Gm 2007], 7-17  
 Gasket, Manifold, 11-13, 13-14, 14-14, 16-21  
 Gasket, Manifold, Exhaust, 13-14, 14-14  
 Gasket, Manifold, Intake, 6-61, 7-17  
 Gasket, Oil Pan, Form-In-Place, 11-3, 13-3, 14-3  
 Gasket, Plate, Front, 16-11  
 Gasket, Rear, 16-12  
 Gasket, Rear Bearing Cap, 11-3  
 Gasket, Rear Bearing Cup, 13-3, 14-3  
 Gasket, Screen, 6-165  
 Gasket, Sender, Fuel, 6-89, 6-91, 8-21  
 Gasket, Tail Pipe, 6-63, 8-3  
 Gasket, Tank, 6-167  
 Gasket, Tank Adaptor, 9-13  
 Gasket, Throttle, 8-5  
 Gasket, Tube, Suc, Front, 6-4  
 Gasket, Tube, Suc, Rear, 6-4  
 Gasket, Upper Door, 6-167  
 Gasket, Wand Adaptor, 9-13  
 Gasket, Water Pump to Crankcase, 11-14, 13-15, 14-15  
 Gauge, Fuel Level, 6-125  
 Gauge, Fuel, 0-90ohm 8-18vdc, 6-127, 8-65  
 Gauge, Oil Pressure, 6-125  
 Gauge, Temp, 100-260 2.3d 12vdc, 6-127, 7-23, 8-65  
 Gauge, Water Temperature, 6-125  
 Gear, 10-15, 10-17, 12-5, 12-11, 12-12, 15-13, 16-11  
 Gear [Power Take Off], 16-13  
 Gear Assy, Idler, 10-15, 10-17  
 Gear Assy, Idler, Pump, Hyd, 10-19  
 Gear Assy, Idler, Pump, Hyd [En], 10-19  
 Gear Kit, 11-18  
 Gear, 23 Tooth, 16-5  
 Gear, Camshaft, 11-7, 13-8, 14-8, 15-11  
 Gear, Crankshaft, 11-8, 13-9, 14-9, 15-5  
 Gear, Drive, 10-15, 10-17  
 Gear, Drive, Pump, Hyd [En], 10-19  
 Gear, Drive, Pump, Hyd [En], 10-19  
 Gear, Idler, 10-15, 10-17, 10-19, 16-11  
 Gear, Injection Pump, 13-5, 14-5  
 Gear, Injection Pump Driver, 13-8, 14-8  
 Gear, Injection, Fuel, 16-11  
 Gear, Pump, 15-15  
 Gear, Ring, 15-19  
 Geroler, 10-23  
 Geroter, 10-25, 10-26  
 Geroter, Ring In, 10-9, 10-13  
 Geroter, Ring Ot, 10-9, 10-13  
 Gerotor, 10-21, 10-24  
 Glow Plug, 15-27, 16-27  
 Governor Assembly, 11-7  
 Grease, Special, 6-3, 6-4

Grip, Handle, 9-9  
 Grip, Vyl, .18 X .75 X 4.00, 8-9  
 Grommet, 6-23, 6-47, 6-59, 6-61, 6-140, 7-13, 7-17, 9-5  
 Grommet, 0.38 in (10 mm) I.D., 6-9  
 Grommet, Breather, Oil, 12-3  
 Grommet, Rbr, 0.25id, F/ 0.8h, .09 Matl, 9-6  
 Grommet, Rubber, 9-3  
 Guard Kit, Overhead, 9-7  
 Guard, Belt, Alternator, 6-53  
 Guard, Flow Switch, 6-140  
 Guard, L.H., 6-155  
 Guard, Lh, Fan, [550 2007 Engines], 6-75  
 Guard, R.H., 6-155  
 Guard, Rh, Fan, [550 2007 Engines], 6-75  
 Guard, Splash, 6-21, 6-23  
 Guard, Squeegee, 6-155  
 Guard, Top, 9-7  
 Guard, Valve Stem Oil, 11-5, 13-7, 14-7  
 Guide, 15-7, 16-7  
 Guide, Dipstick, 16-3  
 Guide, Spring, 6-168  
 Guide, Valve Stem, 11-5, 13-7, 14-7

**H**

Handle Assembly, Complete, 10-27  
 Handle, Nozzle, 9-13  
 Handle, Sludge Removal, 9-9  
 Handle, Throttle, Dsl, 8-9  
 Handle, Valve, Cntrl, 6-145  
 Harness, Eng, Gas [3.0l 2007], 6-123  
 Harness, Eng, Lpg [3.0l 2007], 6-123  
 Harness, Engine, Perkins, [550/1550], 8-33  
 Harness, Main, Dsl, [550/1550 Cat], 8-63  
 Harness, Main, Gas/Lpg [550/1550], 6-123  
 Harness, Main, Perkins/Gm, [550/1550], 6-117  
 Harness, Manifold, Gas, 6-91  
 Harness, Panel, Control [550], 8-63  
 Harness, Panl, Cntrl [550], 6-123  
 Harness, Sensing, Level, Srs [1550], 6-127, 7-23, 8-65  
 Harness, Sqge, Vacuum, 6-123, 8-63  
 Harness, Srs [1550], 6-123, 8-63  
 Harness, Switch, Oil Press, Ground Wire, 6-49  
 Harness, Taillight [1550], 9-3  
 Harness, Tank, Sqge [1550], 6-123, 8-63  
 Harness, Tractor [550/1550], 6-123, 8-63  
 Head, 12-3  
 Head Assembly, Cylinder, 11-5  
 Head Assy, Cylinder, 16-7  
 Head Assy, Fltr, Hyd, 6-151  
 Head Gasket, 15-7, 15-28

Head, Cylinder, 13-7, 14-7  
 Header, Water Outlet, 11-15, 13-16, 14-16  
 Headlight Assembly, 9-3  
 Hi Alt Vaporizer Spring, 7-3  
 Hinge, Seat, 6-15  
 Holder, Fuse, 6-125, 6-128, 8-32, 8-33, 9-3  
 Hook, 6-23, 6-165  
 Hook, Chain, 6-21  
 Hook, Lift [Gm3.0l 2007], 6-49  
 Hook, Rubber, 9-13  
 Hook, S, 6-15  
 Hopper Assembly, 6-18  
 Hopper, Debris, 6-18  
 Horn Button Assembly, 6-32, 8-37  
 Horn, 12 Volt, 6-9  
 Horn, 12vdc, Dbal [Wolo], 6-11  
 Hose, 6-45, 9-11, 9-13, 11-16, 13-5, 15-23, 15-25, 16-17  
 Hose Assembly, 6-3, 6-157, 8-67  
 Hose Assy, Primary To Secondary, Lpg, 7-9, 7-11  
 Hose Assy, Pvc, W/ Cuff, 2.0d, 48.0l, 6-4  
 Hose Assy, W/1cuff, 1.5d 120l 1.5/, 6-3, 6-4, 6-165  
 Hose Kit, Vacuum, SRS, 6-3  
 Hose, .50, 6-70  
 Hose, [Pcv], 6-47  
 Hose, 0050, 04, Im05str /f05str , 10.0, 6-87, 6-89, 8-21  
 Hose, 9.5mm X 450mm [Pcv], 6-59, 7-13  
 Hose, Air, Intake [550d], 8-31  
 Hose, Balancing, Press, 45mm, 7-13  
 Hose, Balancing, Press, 680mm, 7-13  
 Hose, Breather, 16-25  
 Hose, Coolant, 1.50id To 1.75id, Mold, 6-75  
 Hose, Coolant, Mold, 1.50id To 1.50id, 6-75  
 Hose, Elbow to Filler Cap, 13-17, 14-17  
 Hose, Flex, Vacuum, 3.0d 20.0l, 6-4  
 Hose, Flex, Vacuum, 4.0d 41.1l, 6-4  
 Hose, Flex, Vacuum, 4.0d 54.0l, 6-4  
 Hose, Flex, Vacuum, 4.0d 15.0l, 6-159  
 Hose, Fuel, 8-19, 13-5, 14-5  
 Hose, Fuel Line, 6-85, 8-17  
 Hose, Fuel, 0.31id [Evap Emission 07], 6-91  
 Hose, Fuel, .38d, Rbr, 6-61, 7-17  
 Hose, Fuel, #1 Leak-off End, 13-5  
 Hose, Fuel, 0.25id 04.0l, 8-19  
 Hose, Fuel, 0.25id 08.0l, 8-21  
 Hose, Fuel, 0.25id 13.0l, 6-87  
 Hose, Fuel, 0.31id 03.0l, 8-21  
 Hose, Fuel, 0.31id 16.0l, 6-89  
 Hose, Fuel, 0.50id 52.0l, 6-59  
 Hose, Fuel, 0.50id 52L, 6-57  
 Hose, Fuel, 165mm, 7-13  
 Hose, Fuel, Jf06e90, 20.3l, 6-89

## CROSS REFERENCE

- Hose, Heater, .38id, 6-57  
Hose, Heater, .38id 18L, 7-9  
Hose, Heater, .38id 21L, 7-9, 7-11  
Hose, Heater, 0.62id 18.0l, 6-83, 7-21  
Hose, Hi Press, Lp, 7-9  
Hose, Hi Press, Lpg 34L, 7-5  
Hose, Hopper, 6-3, 6-18  
Hose, Hyd, Med06, Jf06str / Jf06e90,66.0, 6-139  
Hose, Hyd, Med06, Jf06str / Jf06str,26.0, 6-139  
Hose, Hyd, Med06, Jf06str /Jf06e90, 84.0, 6-139  
Hose, Hyd, Med06, Jf06str /Jf06str, 66.0, 6-139  
Hose, Hyd, Med08, Jf08str /Jf08e45, 64.0, 6-139  
Hose, Hyd, Med08, Jf08str /Jf08e90, 24.0, 6-139  
Hose, Hyd, Med10, Jf10str /Jf10e90, 24.0, 6-139  
Hose, Hyd, Med12, Jf12str /Jf12str, 48.0, 6-139  
Hose, Hyd, Med16, Jf16str /Jf16e90, 29.0, 6-139  
Hose, Hyd, Med16, Jf16str /Jf16str, 36.0, 6-139  
Hose, Hyd, Med16, Jf16str/Jf16str, 54.0, 6-139  
Hose, Hyd, Str/Str, 68l, 6-139  
Hose, Hyd, Suc24, Jf24str /Jf24e90, 33.0, 6-139  
Hose, Hyd, Tc 06, Jf06str /Jf06e90, 70.0, 6-139  
Hose, Hyd,Hi 12, Jf12str /Jf12e90 , 32.0, 6-139  
Hose, Hyd,Hi 12, Jf12str /Jf12str , 40.0, 6-139  
Hose, Hyd,Hi 12, Jf12str/Jf12e90, 26.0, 6-139  
Hose, Hyd,Hi 12, Jf12str/Jf12e90, 30.0, 6-139  
Hose, Hyd,Low04, Jf04str /Jf04e90 , 25.0, 6-139  
Hose, Hyd,Low04, Jf04str /Jf04e90 , 30.0, 6-139  
Hose, Hyd,Low06, Jf06str /Jf06e90 , 52.0, 6-139  
Hose, Hyd,Low06, Jf06str /Jf06str , 22.0, 8-11  
Hose, Hyd,Low06, Jf06str /Jf06str , 26.0, 6-70  
Hose, Hyd,Low06, Jf06str/Jf06str, 13.0, 8-11  
Hose, Hyd,Low12, Jf12str /Jf12str , 27.0, 6-139  
Hose, Hyd,Med04, Jf04str /Jf04e45 ,165.0, 6-139  
Hose, Hyd,Med04, Jf04str /Jf04e90 , 42.0, 6-139  
Hose, Hyd,Med04, Jf04str /Jf04str , 36.0, 6-139  
Hose, Hyd,Med06, Jf06str /Jf06e90 , 68.0, 6-139  
Hose, Hyd,Med06, Jf06str /Jf06e90l,115.0, 6-139  
Hose, Hyd,Tc 08, Jf08str /Jf08e90 , 36.0, 6-139  
Hose, Hyd,Tc 08, Jf08str /Jf08e90 , 46.0, 6-139  
Hose, Hydraulic, 6-135, 6-137, 6-154, 8-43, 9-8  
Hose, Injection (For Engine 16850), 13-5  
Hose, Intake, Mold, 2.50id 2.50id,[Epdm], 8-31  
Hose, Intake, Mold, E90 E90 2.0id 2.0id, 6-83, 7-21  
Hose, Intake, Mold, E90, 2.0id[550/1550], 7-21  
Hose, LPG, 7-3  
Hose, Lpg, Med04, Jf04str/Jf04str, 48.0l, 6-47, 8-5  
Hose, Lpg, Med05, Pm04str/Sm04str, 54.0l, 7-7  
Hose, Lpg, Med06, Jf06str/Jf06str, 20.0l, 7-7  
Hose, Lpg, Med06, Pm04str/Pm04str, 18.0l, 7-5, 7-7  
Hose, Lpg, Med08, Jf08str/Jf08str , 35.0, 7-11  
Hose, Lpg, Med08, Jf08str/Jf08str , 41.0, 7-11  
Hose, Mold [Epr To Mixer], 7-17  
Hose, Mold, .62 To .75, 7-13, 7-17  
Hose, Mold, .62 X 37.0, 7-13  
Hose, Mold, 1.88od To 1.50id [550 07], 6-75  
Hose, Oil Cooler, 11-17, 13-18, 14-18  
Hose, Oil Drain, 8-11, 16-15  
Hose, Pump Inlet, 6-163  
Hose, Pump Outlet, 6-163  
Hose, Pvc, Clr, 0.38id 0.56od 13.00l, 7-11  
Hose, Pvc, Clr, 0.38id 0.56od 36.00l, 8-7  
Hose, Radiator, 6-71, 8-23  
Hose, Radiator, Lower, 6-73, 8-25  
Hose, Radiator, Lower [550d], 8-27  
Hose, Radiator, Upper, 6-73, 8-25  
Hose, Radiator, Upper [550d], 8-27  
Hose, Rbr, 2.00id 2.40od 07.5l, 6-4  
Hose, Rbr, 2.00id 2.50od 03.0l, 6-81, 6-83, 7-21, 8-29  
Hose, Rbr, E90, 6-81, 8-29  
Hose, Rbr, E90 1.50id 1.50id 04.0 02.8, 6-75  
Hose, Rbr, E90 2.00id 2.00id 03.5 2.3, 6-81, 8-29  
Hose, Rbr, E90 2.00id 2.00id 03.5 03.5, 6-83, 7-21  
Hose, Rubber, 6-25, 6-78, 6-79, 6-163, 7-3, 7-18, 7-19  
Hose, Squeegee, 6-3  
Hose, Squeegee Suction, 6-167  
Hose, Suction, 9-11  
Hose, Suction Drain, 6-165  
Hose, Supply, Gas, .25id, 7-17  
Hose, Vacuum, 6-165, 11-18  
Hose, Valve, Fuel Trim, 325mm, 7-13  
Hose, Valve, Press Trim, 405mm, 7-13  
Hose, Vinyl, 6-163  
Hose, Water, 7-9, 7-11  
Hose, Water Heater, 6-57  
Hourmeter, 12-24vdc, Analog, Rnd, 6-127, 7-23, 8-65  
Housing, 10-7, 10-11, 10-15, 10-17, 12-3, 12-5, 12-11, 15-25  
Housing Assembly, Bearing, 6-161  
Housing Assembly, Front, 6-157, 8-67  
Housing Assembly, Pump, 10-4  
Housing Assembly, Relief, 10-4  
Housing Assy,, 10-23  
Housing Assy, Hub, 6-77  
Housing Assy, Throttle, Gas, 6-59  
Housing Assy, Throttle, Gas, [With Ecu], 10-39  
Housing Assy, Throttle, Gas, [With Ecu] (See Breakdowns), 6-57  
Housing Assy, Throttle, Lpg [GM 3.0l], 7-13  
Housing Assy, Throttle, Lpg, (See Breakdowns), 7-11  
Housing Assy, Throttle, Lpg, [With Ecu], 10-37  
Housing Assy, Throttle, Lpg, [With Ecu] (See Breakdowns), 7-9  
Housing S/A, 10-7, 10-11  
Housing Wldt, Vacfan, Rear, 9.0impeller, 6-159  
Housing, [Ktr], 8-5  
Housing, Bearing, 6-157, 8-67  
Housing, Brg, 10-23, 16-13  
Housing, Filter, L.H., 6-167  
Housing, Filter, R.H., 6-167  
Housing, Flywheel, 6-47, 11-12, 13-13, 14-13, 16-12  
Housing, Flywheel [3.0l], 6-49  
Housing, Flywheel, Mach, [704] Perk, 8-7  
Housing, Front, 6-157, 8-67  
Housing, Gear, 16-11  
Housing, Pivot, 6-161  
Housing, Probe, 6-167  
Housing, Pump, 10-15, 10-17, 10-19  
Housing, Rear, 6-157, 8-67  
Housing, Steering Column, 6-8  
Housing, Thermostat [Gm3.0l 2007], 6-49  
Housing, Throttle, 40mm [Bosch], 6-59, 6-61, 7-17  
Housing, Throttle, Gas, 10-39  
Housing, Throttle, Lpg, 10-37  
Housing, Vacfan, Front, W/ Label, 6-159  
Housing,Control, 10-20  
Hub, 6-77  
Hub Assembly, 6-35, 6-37  
Hub, Brush, 6-27, 6-28, 6-29  
Hub, Brush Drive, 6-31



Hydraulic Fluid, 5 Gal (18.9 L), 6-3, 6-4

**I**

Idler Assembly, Front Scrub Brush, 6-28  
 Idler Assembly, Rear Brush, 6-29  
 Idler Gear, 15-11  
 Impeller, 6-157, 8-67  
 Impeller, 9.5d, 18 Blade Mach, 6-159  
 Indicator, Air Filter, 6-81, 8-29  
 Indicator, Filter Service, 6-78, 6-79, 7-18, 7-19, 8-28  
 Indicator, Service, Air Filter 20h20 Dn, 6-83, 7-21, 8-31  
 Inj Pipe #1 Cyl, 15-17  
 Inj Pipe #2 Cyl, 15-17  
 Inj Pipe #3 Cyl, 15-17  
 Inj Pipe #4 Cyl, 15-17  
 Injection Pump, 15-18  
 Injection Pump (See Breakdown), 15-17  
 Injector, Fuel, Lpg [Gm Zeems 550/6600], 10-37  
 Injector, Gas, W/ Top And Bottom Org, 10-39  
 Inlet Section, 10-27  
 Inlet Valve, 15-7  
 Insert, 15-7  
 Insert, Combustion Chamber (Replaced by None), 13-7, 14-7  
 Insert, Drive, 6-45  
 Insert, Exhaust, 16-7  
 Insert, Inlet, 16-7  
 Instr, Pump Repair, 10-15, 10-17, 10-19  
 Instr, Seal Kit, Motor, 10-32, 10-33  
 Instr. Repair Info, Motor, 10-23  
 Insulation, Acstc, 0.8 11.0w 33.6l Notch, 6-13  
 Insulation, Acstc, 0.8 14.8w 21.3l, 6-13  
 Insulation, Acstc, 0.8 14.8w 32.8l, 6-13  
 Insulation, Acstc, 0.8 17.0w 52.1l Notch, 6-13  
 Insulation, Acstc, 0.8, 20.3 X 19.3, 6-15  
 Insulation, Acstc, Cover, Eng, 6-13  
 Insulation, Engine Access Door, 6-14  
 Insulation, Engine Cover, 7-24  
 Insulation, Front, Side Door, L.H., 6-14  
 Insulation, Rear, Side Door, L.H., 6-14  
 Insulation, Seat, 6-14  
 Insulation, Side Door, R.H., 6-14  
 Insulation, Tank Opening, 7-24  
 Insulation, Top, Hydraulic Tank Door, 6-14  
 Insulator, 9-3  
 Insulator, Panel & Switchboard, 6-127, 7-23, 8-65  
 Isolator [Epr], 7-17  
 Isolator Kit, Mtg, Vaporizer, Rbr, 7-13  
 Isolator, Box, Relay, 6-61, 7-13, 7-16  
 Isolator, Rbr, 6-69  
 Isolator, Rubber, 6-67  
 Isolator, Vib, Bshg, 1.1d 0.6l .4b 0.78h, 6-65, 6-67, 6-69, 6-159, 8-13, 8-15

Isolator, Vib, Bshg, 1.9d 0.9l .6b 1.16h, 6-75, 8-27  
 Isolator, Vib, Dia .50 [Ko], 8-7  
 Isolator, Vib, Flng, 1.3h .5b 2/.39h, 6-49  
 Isolator, Vib, Flng, 2.0h .5b 2/.41h, 6-49  
 Isolator, Vib, Ring, 1.9d 0.5l 1.3b, 6-75, 8-27  
 Isolator, Vibration, 6-27, 6-31, 6-63, 6-141, 8-46

**J**

Joint, 15-11, 15-17, 15-23, 15-26, 15-28, 15-29  
 Joint/Gasket, 15-28  
 Joint/Gasket Kit, 15-29

**K**

Key, 10-9, 10-13, 10-23, 11-7, 12-3, 12-11, 12-12, 13-8, 14-8, 15-5, 16-5, 16-9  
 Key (Replaced by None), 11-8, 13-9, 14-9  
 Key Square 0.12 0.12 0.10 0.10 Lg, 10-32  
 Key, Ignition Switch (Set of 2), 6-125  
 Key, Ignition, [Set Of 2], 6-127, 7-23, 8-65  
 Key, Round, 10-15, 10-17  
 Key, Round [En], 10-19  
 Key, Sq, 0.12 X 0.12, 0.50l, 10-33  
 Key, Square, 6-157, 8-67  
 Key, Woodruff, 6-27, 6-31, 6-45, 8-3, 10-21, 10-24, 11-10, 13-11, 14-11  
 Kit, Adaptor, Manifold, 10-37, 10-39  
 Kit, Connector, Coolant Sensor, 10-37, 10-39  
 Kit, Connector, Gas Injector, 10-39  
 Kit, Connector, Govnr, 10-37, 10-39  
 Kit, Connector, Sensor, [lat], 10-37, 10-39  
 Kit, Connector, Sensor, [Map], 10-37  
 Kit, Conrod, 15-5  
 Kit, Contact And Brush, [64433-000] En, 6-32, 8-37  
 Kit, Ftg, Coolant, Gas, 10-39  
 Kit, Ftg, Coolant, Lpg, 10-37  
 Kit, Gasket, Manifold, 10-37, 10-39  
 Kit, Maint, 800hr [550 G/Lp/D], 6-4  
 Kit, Org, Injector And Reg, Gas, 10-39  
 Kit, Org, Injector, Top And Bottom, Lpg, 10-37  
 Kit, Piston Ring, 15-5  
 Kit, Reg, Gas Press, 10-39  
 Kit, Repair, Reassembly, Fan, 6-159  
 Kit, Replacement, Air Cleaner F/76827, 6-78, 7-18  
 Kit, Replmt, Control, Govnr, [All Purpose], 8-33  
 Kit, Seal, Motor, Hyd, Gear [Barns], 10-32, 10-33  
 Kit, Seal, Pump, 10-15, 10-17

Kit, Seal, Pump, Hyd [En], 10-19  
 Kit, Wire, Ignition, 11-18  
 Knob, 6-17, 6-18, 6-25, 6-44, 6-128, 6-143, 6-154, 6-167, 8-45  
 Knob, Adjusting, 6-27  
 Knob, Ball, 1.25d 0.38-16 Plstc, 6-145  
 Knob, Brush Adjusting, 6-31  
 Knob, Door Latch, 6-165

**L**

Label, [Caution], [Travel Slowly], 6-171  
 Label, [Warning], Heavy Lpg Tank (LP ONLY), 6-171  
 Label, Brush Pressure, 6-23  
 Label, Brushes, 6-9  
 Label, Caution, [Apply Parking Brake], 6-171  
 Label, Caution, [Diesel Fuel Only], 8-19  
 Label, Caution, Reduce Travel, 6-8  
 Label, Console, Instmt, 6-127, 7-23, 8-65  
 Label, Control, Sqge, 6-127, 7-23, 8-65  
 Label, Control, Throttle, 6-171  
 Label, Danger, Fan Suction, 6-157, 8-67  
 Label, Danger, Keep Out Pinch, 6-9  
 Label, Engine Fan, 6-71  
 Label, Gasoline Only, 6-85, 6-87  
 Label, Headlock, 6-17  
 Label, Important, 6-9  
 Label, Info, [Tire Pressure], 6-171  
 Label, Info, Alternator Equipped, 6-171  
 Label, Info, Jack Point, Tractor, 6-171  
 Label, Instr, Filter Drain, 7-11  
 Label, Instruction, Pump Lever Model, 6-25  
 Label, Instruction, Pump Prime, 6-25  
 Label, Instrument Console, 6-125  
 Label, Jack At This Point, 6-9  
 Label, Logo, Tennant, Oval, 114l, Blk, 6-171  
 Label, Lubricating Instructions, 6-157, 8-67  
 Label, Maint, [ 550], 6-171  
 Label, Maint, [Radiator Fins], 6-171  
 Label, Maintenance Chart, 6-9  
 Label, Maintenance Note, 6-9  
 Label, Opertnl, Instmt Panel, [550], 6-171  
 Label, Patent, Power Scrubber, 6-171  
 Label, Patent, Scrubber, 6-9  
 Label, Stripe, 6-9  
 Label, Stripe, [Tennant],[550], 6-171  
 Label, Stripe, 36.00, [550], 6-171  
 Label, Stripe, Front, 6-9, 6-165  
 Label, Stripe, L.H., 6-165  
 Label, Stripe, R.H. (not shown), 6-165  
 Label, Stripe, Side, 6-9  
 Label, Stripe, Wing, Lh,[1550], 6-171  
 Label, Stripe, Wing, Rh,[1550], 6-171  
 Label, Switch, Squeegee Lift, 6-125  
 Label, TENNANT, 6-9  
 Label, Throttle and Solution, 6-9

## CROSS REFERENCE

Label, Throttle and Solution Control, 8-3  
Label, Tire Pressure, 6-9  
Label, Warning, Danger, Pinch Point, 6-171  
Label, Warning, Use Scrubber, 6-21  
Label, Wing, L.H., 6-9  
Label, Wing, R.H., 6-9  
Lamp Assembly, Flashing, 9-4  
Lamp Assembly, Flashing, Amber, 9-4  
Lamp Assembly, Flashing, Blue, 9-4  
Lamp Assembly, Revolving, 9-6  
Lamp Assembly, Revolving, Amber, 9-6  
Lamp Assembly, Revolving, Blue, 9-6  
Lamp Assy, Indicator, Red, 14Vdc, 6-125, 8-32, 8-33, 9-8  
Lamp, Flashing, 9-4  
Latch, 7-5, 9-14  
Latch Assembly, LPG Tank, 7-3  
Latch Assy, Mtg, Tank, Lpg, W/Nut, 7-7  
Latch, Cam Lock Band, 6-21, 6-23  
Latch, Door, 6-8, 6-21, 6-23  
Latch, Hopper, 6-18  
Leak-Off Pipe, 15-17  
Leg, Front, L.H., 9-7  
Leg, Front, R.H., 9-7  
Leg, Rear, L.H., 9-7  
Leg, Rear, R.H., 9-7  
Lens, Amber, 9-5  
Lens, Blue, 9-5  
Lens, Lamp, Amber, 9-4, 9-6  
Lens, Lamp, Blue, 9-4, 9-6  
Lens, Lamp, Red, 9-4, 9-6  
Lens, Red, 9-5  
Lever, 6-17, 15-9, 15-15, 15-25  
Lever and Shaft Assembly, Governor, Gasoline, 11-11  
Lever and Shaft Assembly, Governor, LPG, 11-11  
Lever Assembly, Solution Control, 6-25  
Lever, Parking, 6-42  
Lever, Pump, 6-41, 8-39  
Lever, Throttle, 6-44  
Lift, Scrubber Head, 6-17  
Lifter, 12-3  
Light Kit, Hd-TI/550, 9-3  
Light Assembly, Revolving Amber, 9-5  
Light Assembly, Revolving Blue, 9-5  
Light Assembly, Revolving Red, 9-5  
Light Kit, 1550, 9-3  
Light Kit, Flashing, 9-4  
Light Kit, Revolving, 9-6  
Light, Indicator, 14vdc Red, 6-127, 6-128, 7-23, 8-65  
Light, Panel, 9-3  
Light, Panl, 14vdc, Red, 0.6d, 6-127, 7-23, 8-65  
Light, Warning, Check Engine, Amb, 14 Vdc, 6-127, 7-23  
Link, 6-169, 15-15  
Link, .19 1.0w 09.2l 1/0.3h 1/0.3s, 6-13  
Link, Brush Lift, 6-27, 6-31  
Link, Control, 6-39  
Link, Direct Control, 6-41, 8-39

Link, Directional Control, 6-39, 6-41, 8-39  
Link, Engine Cover Support, 6-9  
Link, Feedback, 10-20  
Link, Hook, 6-143, 6-145, 8-45  
Link, Rear Drag, 6-169  
Linkage Kit, Handle, 10-27  
Lip, Hopper, 6-18  
Locator, 9-14  
Lock, Knob Adjusting, 6-31  
Lock, Knob, Adjusting, 6-27  
Lock, Valve Spring Retainer, 11-5, 13-7, 14-7  
Lockwasher, 10-7, 10-11  
Long Block Assembly, S, Includes: R Short Block Assembly Plus - Head, Guides, Valves and Associated Parts, Rocker Arm Shaft Assembly, Pushrods, Head Cover, Gear Cover, Oil Pan, Oil Filler Cap, and Gasket Set, 11-3  
Lug, 9-14

## M

Magnet, 11-18  
Manifold, Exhaust, 6-57, 6-59, 7-9, 7-11, 7-14, 11-13, 13-14, 14-14, 16-21  
Manifold, Exhaust [2007], 6-61, 7-17  
Manifold, Gas, Relief, Valve, 6-91  
Manifold, Hyd, Collector, 6-153  
Manifold, Inlet, 16-21  
Manifold, Intake, 6-57, 6-59, 7-9, 7-11, 7-14, 11-13, 13-14, 14-14, 15-26  
Manifold, Intake [2007], 6-61, 7-17  
Manifold, Pump, Gear [En], 10-19  
Manual Pkg, 1550, 9-20  
Manual, Cd-Rom, Oprtr & Parts, All (NA), 9-20  
Manual, Eng, Cd-Rom [Tier li, Gm3.0l], 9-20  
Manual, Engine, Continental, TM27-D, 9-20  
Manual, Service, [Caterpillar 3044c], 9-20  
Manual, Service, Eng, [Gm 3.0l], 9-20  
Manual, Service, Perkins 700 Series, 9-20  
Mat, Floor, 6-9  
Meter, Hour, 6-125  
Mirror Kit, Rear View, 9-17  
Mirror, Rear View, 9-17  
Module, 11-18, 12-5  
Module, Ecu, Gas [GM 3.0l], 6-59  
Module, Ecu, Gas [Gm3.0l 2007], 6-61  
Module, Ecu, Lpg [GM 3.0l], 7-13  
Module, Ecu, Lpg [Gm3.0l 2007], 7-16  
Molding, Rigid, 6-9, 6-163, 7-3  
Molding, Rigid, 17.75 in (450 mm) L, 6-9  
Molding, Rigid, 3.0 in (76 mm), 6-9  
Motor, Gear, 10-3  
Motor, Hyd Gear, 10-23

Motor, Hyd Gear Ex 0.13 L 3000, 10-32  
Motor, Hyd, Gear, Ex 0.13 L 3000 (See Breakdowns), 6-159  
Motor, Hyd, Gear, [Ex] 0.32 R 3000, 10-33  
Motor, Hyd, Gear, [Ex] 0.32 R 3000 (See Breakdowns), 6-75  
Motor, Hydraulic, 10-21, 10-24  
Motor, Hydraulic (Replaced by 61489) (See Breakdowns), 6-27, 6-31  
Motor, Hydraulic (See Breakdowns), 6-27, 6-31, 6-140  
Motor, Hydraulic (See Breakdowns) (Replaced by 378710), 6-140  
Mount, Band, Fltr, 6.79id, 8-31  
Mount, Cable Tie, 6-163  
Mount, Caster, 6-169  
Mount, Eng, Rear, Lh, 6-49  
Mount, Eng, Rear, Rh, 6-49  
Mount, Engine, Front, Left, 6-47  
Mount, Engine, Front, Right, 6-47  
Mount, Engine, R.H., 8-3  
Mount, Engine, Rear, Left, 6-47  
Mount, Engine, Rear, Right, 6-47  
Mount, Fan, 6-157  
Mount, Filter, Remote, 6-70  
Mount, Hsng, Alternator, 8-22  
Mount, Left Front, 8-5  
Mount, Left Rear, 8-5  
Mount, LPG Tank, 9-14  
Mount, Nozzle, 16-23  
Mount, Right Front, 8-5  
Mount, Right Rear, 8-5  
Mount, Squeegee, 9-13  
Mount, Strap, 7-3  
Mount, Wand Hose, L.H., 9-13  
Mount, Wand Hose, R.H., 9-13  
Muffler, 6-63  
Muffler Assembly, 6-157, 8-67  
Muffler, Catalytic [Gm 1.6/3.0], 6-67  
Muffler, Catalytic [Gm 3.0l 2007], 6-69  
Muffler, Exhaust, 6-65, 8-13, 8-15  
Muffler, Spark Arresting, 9-17

## N

Nozzle, 6-25, 9-13, 12-11  
Nozzle and Tip Assembly, 13-5, 14-5  
Nozzle Assy, 16-23  
Nozzle, Hopper, 6-18  
Nozzle, Suction, 6-18  
Nut, 6-17, 6-32, 6-57, 6-59, 6-168, 7-5, 7-9, 7-11, 7-14, 8-19, 8-37, 10-7, 10-11, 10-23, 11-7, 12-3, 12-9, 13-8, 14-8, 15-5, 15-9, 15-11, 15-12, 15-15, 15-17, 15-18, 15-21, 15-23, 15-25, 16-5, 16-12, 16-15, 16-19, 16-23  
Nut, .38-24, 8-5  
Nut, .44-20, 8-5  
Nut, Adj, Mtg, Tank, Lpg, 7-7  
Nut, Adjustable, 7-3  
Nut, Adjustment, 6-42

Nut, Conn Rod, 12-7  
 Nut, Flanged, .38-24, 6-51  
 Nut, Flng, M8, 7-17  
 Nut, Hex, .31-18, 8-34  
 Nut, Hex, Flexlock, .38-16, 6-67, 6-69  
 Nut, Hex, Flng, .25-20, 6-11, 6-13, 6-41, 6-75, 8-21, 8-27  
 Nut, Hex, Flng, .31-18, 6-11, 6-67, 6-73, 6-89, 6-91, 7-7, 8-19, 8-25  
 Nut, Hex, Flng, .38-16, 6-11, 6-61, 6-73, 6-145, 6-157, 7-17, 8-19, 8-25, 8-45, 8-67  
 Nut, Hex, Flng, .50-13, 6-11, 6-73, 8-25  
 Nut, Hex, Flng, .M08 X 1.25, 7-5  
 Nut, Hex, Flng, M08 X 1.25, 6-47  
 Nut, Hex, Flng, M8 X 1.25, 6-49, 6-53, 6-69  
 Nut, Hex, Jam, M20 X 1.5, 6-33  
 Nut, Hex, Lock, .25-20, NI, 6-127, 6-145, 7-23, 8-21, 8-45, 8-65  
 Nut, Hex, Lock, .25-20, NI, Ss, 6-11  
 Nut, Hex, Lock, .31-18, NI, 6-13, 6-55, 6-65, 6-67, 6-69, 6-70, 6-83, 6-153, 7-21, 8-11, 8-13, 8-15, 8-31  
 Nut, Hex, Lock, .31-18, NI, Ss, 6-70, 8-11, 16-15  
 Nut, Hex, Lock, .38-16, NI, 6-49, 6-53, 6-55, 6-159  
 Nut, Hex, Lock, .38-16, NI, Ss, 6-27  
 Nut, Hex, Lock, .50-13, NI, 6-49, 6-75, 8-27  
 Nut, Hex, Lock, #10-24, NI, 6-13, 6-127, 7-23, 8-65  
 Nut, Hex, Lock, M06 X 1.0, NI, 6-73, 8-25  
 Nut, Hex, Lock, M6 X 1.0, NI, 6-75, 8-9  
 Nut, Hex, Lock, M6 X 1.00, NI, 6-91  
 Nut, Hex, Lock, M8 X 1.25, NI, 6-75  
 Nut, Hex, M8 X 1.25, 16-23  
 Nut, Hex, Std, .25-20, 6-61, 7-17  
 Nut, Hex, Std, .38-16, 6-47, 6-65, 6-67, 6-69  
 Nut, Hex, Std, .38-16, Ss, 6-21  
 Nut, Hex, Std, #06-32, 6-13  
 Nut, Hex, Std, #08-32, 6-127, 6-128, 7-23, 8-65  
 Nut, Hex, Std, #10-24, 6-47, 6-49  
 Nut, Hex, Std, M05 X 0.8, 6-47  
 Nut, Hex, Std, M06 X 1.0, 6-51  
 Nut, Hex, Std, M4 X 0.7, 8, 6-89, 6-91  
 Nut, Hex, Std, M5 X 0.8, 8, 6-49, 6-89, 6-91  
 Nut, Jam, 10-7, 10-11  
 Nut, Lock, 6-161  
 Nut, Locking, 6-165, 6-167  
 Nut, Low Crown, 6-157, 8-67  
 Nut, Low Crown, .50-20, 6-159  
 Nut, M10, 8-3  
 Nut, M10-1.50, 8-5, 8-22  
 Nut, Nex, Thin, 6-39, 6-41, 8-39  
 Nut, Nylon, 6-17, 6-161  
 Nut, Slotted, 6-35, 10-21, 10-24

Nut, Slotted Hex, 6-161  
 Nut, Solenoid, 10-27, 10-35  
 Nut, Stainless Steel, 6-165  
 Nut, Tube Assembly, 14-5  
 Nut, Union, 15-17  
 Nut, Water Trap, 6-87, 8-17  
 Nut, Wheel, 6-34  
 Nut, Wing, 6-78, 6-79, 6-92, 6-165, 8-35

**O**

O-Ring, 6-161, 11-5, 11-10, 13-5, 13-7, 13-11, 14-7, 14-11, 15-11, 15-13, 15-15, 15-17, 15-21, 15-25, 15-28, 15-29  
 O-Ring, Injection Pump, 14-5  
 Oil Pan, 12-9  
 Oil Pan Assembly, 11-3  
 Oil Pump, 15-13  
 Olive, 15-17, 15-18, 15-21  
 Olive .36Od .25Id, 15-17  
 Olive, Rubber, 6-87, 8-17, 8-19  
 Orifice, Valve, 10-7, 10-11  
 Outlet, 12-3

**P**

P.c.board, Level Sensing-compl, 6-127, 7-23, 8-65  
 Pad, Brake, 6-43  
 Pad, Non-skid, 6-9  
 Paint, Airdry, Blk, 12oz, 6-5  
 Paint, Airdry, Gray, 12oz [Enamel], 6-5  
 Paint, Airdry, Iron Gray, 12oz[Pwdr Coat], 6-5  
 Paint, Airdry, Off-White, 12oz, 6-5  
 Paint, Airdry, Teal, 12oz, Solid, 6-5  
 Pan Assembly, Oil, 13-3, 14-3  
 Pan Kit, Oil, Replmt [550d/1550d], 15-21  
 Pan Wldt, Floor, 6-11  
 Pan, Floor, 6-8  
 Pan, Oil, W/ Gasket, 16-15  
 Panel Wldt, Cntrl (Gas/Lpg), 6-11  
 Panel Wldt, Cntrl, Dsl [550], 6-11  
 Panel Wldt, Console, Instmt [550], 6-127, 7-23, 8-65  
 Panel Wldt, Dash Board, 6-8  
 Panel Wldt, Eng, W / Label, 6-11  
 Panel, Access, Side, 6-11  
 Panel, Dash, 6-8  
 Panel, Eng, W / Label, 6-11  
 Panel, Front, 6-128  
 Panel, Laminar Flow Housing, 6-167  
 Panel, Side Kick, 6-8  
 Pedal, Brake, 6-43  
 Pedal, Foot Speed, 6-39, 6-41, 8-39  
 Performance Package, 400 Hour, Diesel, 6-3  
 Performance Package, 400 Hour, Diesel, Servo, 6-3

Performance Package, TM27, 400 Hour, Gas and LPG, 6-3  
 Performance Package, TM27, 400 Hour, Gas and LPG, Servo, 6-3  
 Pin, 7-5, 7-7, 10-25, 10-26, 12-5, 12-7, 12-9, 12-11, 13-5, 15-9, 15-14, 15-15, 16-3, 16-5  
 Pin, Articulating Locking, 6-161  
 Pin, Clevis, 6-17, 6-18, 6-19, 6-27, 6-31, 6-42, 6-43, 6-143, 6-169, 8-2, 8-45  
 Pin, Clevis, 0.25 D X 0.75I, 6-145, 8-9  
 Pin, Clevis, 0.50 D X 2.50I, 6-17  
 Pin, Cotter, 6-37, 6-161, 6-169, 11-7, 13-8, 14-8  
 Pin, Cotter, .062 X 0.75, 8-9  
 Pin, Cotter, .094 X 0.75, 8-9  
 Pin, Cotter, .375 X 3.00, Stil, 6-17  
 Pin, Door Locking, 6-21, 6-23  
 Pin, Dowel, 11-3  
 Pin, Dowel, Gear Cover to Crankcase, 13-3, 14-3  
 Pin, Groove, 11-11  
 Pin, Hair, 6-19  
 Pin, Headed, 10-20  
 Pin, Injection Pump, 14-5  
 Pin, Piston, 11-9, 13-10, 14-10  
 Pin, Pivot, 6-44  
 Pin, Rear Support Top, 11-7, 13-8  
 Pin, Retainer, 7-13  
 Pin, Roll, 6-21, 6-23, 6-28, 6-29, 6-39, 6-41, 6-43, 6-44, 6-45, 6-169, 8-39  
 Pin, Spring, 16-3  
 Pipe, 16-25  
 Pipe, Air Cleaner, 6-81, 8-29  
 Pipe, Breather, 16-25  
 Pipe, Exhaust, 8-3  
 Pipe, Fuel, 15-17  
 Pipe, Oil, 15-21  
 Pipe, Tail, 6-63  
 Piston [+0.25mm], 16-5  
 Piston [+0.50mm], 16-5  
 Piston Assembly, 0.50 mm Oversize, 11-9, 13-10, 14-10  
 Piston Assembly, 0.75 mm Oversize, 11-9, 13-10, 14-10  
 Piston Assembly, 1.00 mm Oversize, 11-9, 13-10, 14-10  
 Piston Assembly, Standard, 11-9, 13-10, 14-10  
 Piston Block Assembly, 10-4  
 Piston Kit, 15-5  
 Piston, .020" O.S., 12-7  
 Piston, Hi-limit, 12-7  
 Piston, Servo, 10-7, 10-11  
 Piston, Std, 12-7, 16-5  
 Pivot, Adjuster, 6-168  
 Pivot, Door Hinge, 6-167  
 Pivot, Headlock, 6-17  
 Pivot, Shaft, 6-161  
 Pivot, Upper Door Hinge, 6-165

## CROSS REFERENCE

- Plate, 6-17, 6-32, 6-77, 8-32, 8-33,  
8-37, 15-3, 15-9, 15-11, 15-15,  
15-23, 15-27, 16-11, 16-26, 16-27
- Plate Kit, 12-12
- Plate Wldt, Angle, 8-9
- Plate, Adapter, 10-15, 10-17
- Plate, Adapter, Pump, 11-19
- Plate, Adaptor, Pump, Hyd [En], 10-19
- Plate, Adj, 16-26
- Plate, Back, 10-15, 10-17, 10-19
- Plate, Brake Mounting, 1550, 6-37
- Plate, Bumper, 6-155
- Plate, Cam, 10-4
- Plate, Camshaft Thrust, 11-7, 13-8,  
14-8
- Plate, Cover, 10-7, 10-11
- Plate, Door, 6-165
- Plate, Drive, 6-47, 6-49
- Plate, Eng, 6-11, 6-67, 6-69
- Plate, Exhaust Hanger, 6-67
- Plate, Exhaust, Vac Fan, 6-159
- Plate, Front, 10-15, 10-17
- Plate, Front, Pump, Gear [En], 10-19
- Plate, Hanger, Exhaust [550/1550 07],  
6-69
- Plate, Hsng, 6-47
- Plate, Injector Mtg, W/ Screw, 10-37,  
10-39
- Plate, Lift, Front, 16-7
- Plate, Lift, Rear, 16-7
- Plate, Lower Door, 6-167
- Plate, Motor Mounting, 6-37, 9-11
- Plate, Mounting, 6-17, 9-6
- Plate, Mtg, W/ Screw, [Ecu], Gas, 10-39
- Plate, Mtg, W/ Screw, [Ecu], Lpg, 10-37
- Plate, Pivot, 6-168
- Plate, Pump Mounting, 6-45, 6-163
- Plate, Rear Mounting, 8-5
- Plate, Seat Mount, 6-15
- Plate, Shield, Heat, 6-53, 6-159
- Plate, Side, 6-157, 8-67
- Plate, Throttle, 6-44
- Plate, Thrust, 16-9
- Plate, Thrust [+0.15mm], 16-5
- Plate, Thrust [+0.30mm], 16-5
- Plate, Thrust, Std, 16-5
- Plate, Upper Door, 6-167
- Plate, Valve, 10-23
- Plate, Valve Mounting, 6-25
- Plate, Wear, 10-26
- Plug, 6-43, 10-9, 10-13, 10-15, 10-17,  
10-20, 11-3, 11-16, 12-3, 12-9,  
13-3, 13-5, 13-16, 14-3, 14-16,  
15-3, 15-7, 15-9, 15-11, 15-23,  
15-25, 16-3, 16-12, 16-15, 16-17
- Plug (obsolete), 11-15
- Plug #4, 10-23
- Plug #8, 10-7, 10-11
- Plug Assembly, 10-23
- Plug Button, 6-125
- Plug Button, 0.50 in (13 mm), 6-125
- Plug Button, 1.25 in (32 mm), 6-125
- Plug S/A, 10-7, 10-11
- Plug, Block, Eng, 12-7
- Plug, Brush Drive, 6-27, 6-31
- Plug, Brush Idler, 6-28, 6-29
- Plug, Coolant, Eng, 16-3
- Plug, Core, 13-7, 14-7
- Plug, Core, Coolant, 12-7
- Plug, Crankcase, 11-3
- Plug, Cup, 11-3, 11-5, 13-3, 13-7,  
14-3, 14-7
- Plug, Drain, 11-3, 13-3, 14-3
- Plug, Expandable, 1.5D, 6-165
- Plug, Expansion, 11-3, 13-3, 14-3
- Plug, Glow, 13-5, 14-5
- Plug, Hole, Injector, 7-17
- Plug, Hose, 14-5
- Plug, Main, Rear, 12-7
- Plug, O-ring, 10-15, 10-17
- Plug, Oil, .38-18 X .42, 12-7
- Plug, Plastic, 6-27, 6-28, 6-29, 6-31
- Plug, Sealing, 8-17
- Plug, Sensor Hole, 6-165
- Plug, Shaft Ends, 11-7, 13-8, 14-8
- Plug,#12 O-Ring Ph, 10-7, 10-11
- Plugbutton, 6-71
- Plugbutton, 2.0 in (50 mm), 6-125
- Plunger, 15-13
- Pointer, Engine Timing, 11-11, 13-12,  
14-12
- Pole Piece, 12-5
- Poppet, 10-9, 10-13
- Pouch, Operator's Manual 7.5 in  
(190mm), 6-15
- Probe, Liquid Level, 6-165, 6-167
- Pulley, 13-15, 14-15, 15-25, 16-17
- Pulley Assy, Idler, 6-77
- Pulley, Alternator, 6-45, 8-3
- Pulley, Crank, 6-77, 15-5
- Pulley, Crankshaft, 11-8, 13-9, 14-9,  
16-5
- Pulley, Fan, 6-51, 6-53, 6-55, 6-77
- Pulley, Idler, 6-77
- Pulley, Water Pump, 11-14
- Pump, 12-9
- Pump and Gasket, Fuel, 11-19
- Pump Assembly, Solution, 10-2
- Pump Kit, Charge, 10-4
- Pump Replacement Kit, 11-19
- Pump, Fuel, 8-19, 8-21, 11-19, 13-5,  
14-5
- Pump, Fuel Injection, 14-5
- Pump, Fuel Injection (Replaced by  
none), 13-5
- Pump, Fuel, Gas, 6-87
- Pump, Fuel, Hi-Press [Gm 1.6l/3.0l],  
6-89, 6-91
- Pump, Hyd Piston V 2.48, 10-7, 10-9,  
10-11, 10-13
- Pump, Hyd, Gear [Ex2] 1.69 [R] 2500  
(Replaced by None), 10-17
- Pump, Hyd, Gear [Ex2] 1.69 [R] 2800,  
10-15
- Pump, Hyd, Gear, [Ex3] 1.69 [R] 3000,  
10-19
- Pump, Hyd, Gear, [Ex3] 1.69 [R] 3000  
(See Breakdowns), 6-148
- Pump, Hyd, Piston [V] 2.48 [R] 4500  
(See Breakdowns), 6-148
- Pump, Hydraulic, 10-5
- Pump, Hydraulic (Replaced by None),  
10-4
- Pump, Hydraulic (See Breakdowns),  
6-146, 6-147, 8-47
- Pump, Hydraulic (See Breakdowns)  
(Replaced by 397689), 6-146
- Pump, Hydraulic (See Breakdowns)  
(Replaced by None), 6-147, 8-47
- Pump, Injection, Fuel, 16-23
- Pump, Metering (See Breakdowns),  
6-163
- Pump, Metering Solution, 10-3
- Pump, Oil, 11-10, 14-11, 16-15
- Pump, Oil (For Engine 16850), 13-11
- Pump, Oil (For Engine 34910), 13-11
- Pump, Solution (See Breakdowns),  
6-163
- Pump, Water, 11-14, 13-15, 14-15,  
16-17
- Pump, Water [Cont], 13-15
- Push Rod, 15-9

## R

- Race, Bearing, 10-7, 10-11, 10-25,  
10-26
- Race, Thrust, 10-21, 10-24
- Radiator, 6-71, 6-75, 8-23, 8-27
- Radiator , 8-25
- Radiator Assy, 6-73
- Rear Squeegee Assembly, 6-168
- Regulator [Ep], 7-17
- Regulator Assy, Primary, W/ Ftg, Lpg,  
7-9, 7-11
- Regulator Assy, Secondary, W/ Ftg, Lpg,  
7-9, 7-11
- Regulator, Temp, Coolant, 16-17
- Regulator, Voltage, 6-45, 8-3
- Reinforcement, 12-3
- Relay, 6-25
- Relay, 12vdc, 20a, Spdt, 6-123
- Relay, 12vdc, 40a, Spdt, 6-123
- Relay, 12vdc, 40a, Spdt, [Potter], 6-127,  
7-23, 8-33, 8-65
- Relay, 12vdc, 100a, Spdt N/O [Camdec],  
8-21
- Relay, Horn, 6-125
- Relay, Power, 8-32
- Relief Valve, 10-28
- Relief Valve Sa, 10-9, 10-13
- Repair Info,Pmp, 10-9, 10-13
- Repair Info,Scu, 10-25, 10-26
- Repair Kit, Brake, 6-43
- Repair Kit, Brake Pad, 6-42
- Repair Kit, Fan Assembly, 6-157, 8-67
- Repair Kit, Fuel Filter Lock, 7-3
- Repair Kit, Vaporizer, 7-3

Repair Kit, Water Pump, 11-14, 13-15, 14-15  
 Replacement Kit, Bellows, 10-3  
 Replacement Kit, Brush, 10-2  
 Replacement Kit, Oil Pressure Gauge, 6-125  
 Replacement Kit, Pump Body, 10-2  
 Replacement Kit, Pump Head, 10-2  
 Reservoir Assembly, Hydraulic, 6-141, 8-46  
 Reservoir Assy, 18.3 Gal, 6-142  
 Resistor, 6-128  
 Restistor (Replaced by 79092), 11-19  
 Restrictor, Jet, Coolant, 7-13  
 Retainer, 12-5, 16-8, 16-23  
 Retainer, Blade, 9-18  
 Retainer, Brush, 6-21, 6-23  
 Retainer, Chk, 10-25, 10-26  
 Retainer, Deflector Skirt, 6-18  
 Retainer, Frt, 10-23  
 Retainer, Hopper Lip, 6-18  
 Retainer, Hose, 6-165  
 Retainer, Squeegee, 6-19, 9-9  
 Retainer, Valve Spring, 11-5, 13-7, 14-7  
 Rim, 16.5 X 6.75 5.5bc/6bolt, 6-34  
 Ring, 10-23, 12-12, 16-5  
 Ring Gear, 11-12, 14-13  
 Ring Gear (For Engine 16850), 13-13  
 Ring Gear (For Engine 34910) (Replaced by None), 13-13  
 Ring Kit, .030" O.S., 12-7  
 Ring Kit, Re-Ring, 0.50 mm Oversize, 11-9, 13-10, 14-10  
 Ring Kit, Re-Ring, 0.75 mm Oversize, 11-9, 13-10, 14-10  
 Ring Kit, Re-Ring, 1.00 mm Oversize, 11-9, 13-10, 14-10  
 Ring Kit, Re-Ring, Standard, 11-9, 13-10, 14-10  
 Ring Kit, Std, 12-7  
 Ring Set, Piston [+0.25mm], 16-5  
 Ring Set, Piston [+0.50mm], 16-5  
 Ring Set, Piston, Std, 16-5  
 Ring, Retainer, 10-25, 10-26  
 Ring, Retaining, 6-28, 6-29, 6-77, 6-157, 8-67, 10-4, 10-9, 10-13, 10-20, 11-9  
 Ring, Retaining, Piston Pin, 13-10, 14-10  
 Ring, Snap, 16-8  
 Rivet, 11-11  
 Rivet, Pop, 6-15  
 Rivet, Timing Pointer to Gear Cover, 13-12, 14-12  
 Rivnut, 6-167  
 Rocker Shaft, 15-9  
 Rockershaft, 15-5  
 Rockershaft Assy, 15-9  
 Rod, 6-169, 12-3  
 Rod and Link, 6-143, 8-45  
 Rod Assembly, Connecting, 11-9, 13-10, 14-10  
 Rod Assy, Connecting, 16-5

Rod End, 6-41, 8-39  
 Rod, Adjustment, 6-42  
 Rod, Brake, Push, 6-43  
 Rod, Control, 11-16  
 Rod, Door Latch, 6-165  
 Rod, End, 6-39  
 Rod, Hanger, 6-67, 6-69  
 Rod, Latch, 6-167  
 Rod, Oil Gauge, 11-3, 13-3, 14-3  
 Rod, Push, 11-7, 13-8, 14-8, 16-9  
 Rod, Shock, 6-39  
 Rod, Threaded, 6-157, 8-67  
 Rod, Throttle, 8-2, 8-3  
 Rod, Trip, 6-169  
 Rod, Vertical Throttle, 8-3  
 Roll Pin, 10-9, 10-13  
 Roll, Pin, 6-39  
 Rotating Kit, 10-7, 10-11  
 Rotator, 12-3  
 Roto-Coil, Exhaust, 11-5  
 Rotor, 6-3, 11-18, 12-5

**S**

Screen, Debris, 6-165  
 Screen, w/Suction Pipe, 12-9  
 Screen, w/Tube, 12-9  
 Screw, 11-3, 11-5, 11-7, 12-9, 13-3, 13-7, 13-8, 13-9, 14-3, 14-7, 14-8, 14-9, 15-3, 15-5, 15-7, 15-9, 15-11, 15-12, 15-13, 15-15, 15-17, 15-19, 15-21, 15-23, 15-25, 15-26, 15-27, 16-3, 16-15  
 Screw (Replaced by None), 15-5  
 Screw Set, 10-25, 10-26  
 Screw, .38-16 X 1.00, 6-61, 7-17  
 Screw, .38-16 X 4.0, 6-77  
 Screw, .38-24 X 4.0, 6-51  
 Screw, Bleeder, 6-43  
 Screw, Cap, 10-7, 10-9, 10-11, 10-13, 10-15, 10-17, 10-23  
 Screw, Cap, Motor, Hyd [En], 10-19  
 Screw, Crankshaft, 11-8  
 Screw, Flat, 6-163  
 Screw, Flt, .31-18 X 0.50, Al, 6-75, 8-27  
 Screw, Flt, .31-18 X 0.75, Al, 6-73, 8-25  
 Screw, Flt, .38-16 X 1.50, Al, 6-159  
 Screw, Flt, .38-16 X 3.25, 6-77  
 Screw, Flt, Soc, .38-16 X 1.50, Al, 6-27  
 Screw, Governor Spring, 11-16  
 Screw, Hex, 6-9, 6-17, 6-21, 6-23, 6-161, 16-7, 16-11, 16-21, 16-23, 16-26  
 Screw, Hex, .25-20 X 0.50, 5, 6-47, 6-49, 6-127, 7-23, 8-65  
 Screw, Hex, .25-20 X 0.50, Fmg, 6-11  
 Screw, Hex, .25-20 X 0.50, G5, 6-61, 7-17  
 Screw, Hex, .25-20 X 0.62, 5, 6-75, 6-127, 7-23, 8-21, 8-27, 8-65  
 Screw, Hex, .25-20 X 0.62, Fmg, 6-151  
 Screw, Hex, .25-20 X 0.75, 5, 6-11, 6-13

Screw, Hex, .25-20 X 0.75, Fmg, 6-13  
 Screw, Hex, .25-20 X 0.75, G5, 6-61, 7-17  
 Screw, Hex, .25-20 X 0.75, Sems, 6-11, 6-13, 6-127, 7-23, 8-19, 8-65  
 Screw, Hex, .25-20 X 1.00, 6-41  
 Screw, Hex, .25-20 X 1.00, 5, 6-75, 8-27  
 Screw, Hex, .25-20 X 1.00, NI, 6-87  
 Screw, Hex, .25-20 X 1.00, Sems, 8-19  
 Screw, Hex, .25-20 X 1.25, G5, 6-61, 7-16  
 Screw, Hex, .25-20 X 1.50, 5, 6-145, 8-45  
 Screw, Hex, .31-18 X 0.50, 5, 6-75, 7-5, 7-7, 8-27  
 Screw, Hex, .31-18 X 0.62, 5, 6-73, 6-75, 8-25, 8-27  
 Screw, Hex, .31-18 X 0.75, 5, 6-11, 6-47, 6-49, 6-67, 6-83, 6-89, 6-91, 6-153, 6-159, 7-21, 8-31  
 Screw, Hex, .31-18 X 0.75, Fmg, 6-67  
 Screw, Hex, .31-18 X 0.75, Fmg, Pl, 6-75  
 Screw, Hex, .31-18 X 0.75, G5, 6-69  
 Screw, Hex, .31-18 X 0.75, Sems, 6-11, 6-145, 8-45  
 Screw, Hex, .31-18 X 0.88, G5, 6-37  
 Screw, Hex, .31-18 X 1.00, 5, 6-11, 6-13, 6-53, 6-83, 6-89, 6-91, 7-7, 7-21, 8-21, 8-31  
 Screw, Hex, .31-18 X 1.25, 5, 6-11, 6-13, 6-70, 8-11  
 Screw, Hex, .31-18 X 1.25, Ss, 6-70, 8-11, 16-15  
 Screw, Hex, .31-18 X 1.50, 5, 6-65, 6-67, 8-13, 8-15  
 Screw, Hex, .31-18 X 1.50, Fl, 6-55  
 Screw, Hex, .31-18 X 1.50, G5, 6-69  
 Screw, Hex, .31-18 X 1.75, 8-34  
 Screw, Hex, .31-18 X 2.50, 5, 6-153  
 Screw, Hex, .31-24 X 0.75, 5, 6-51, 6-53, 6-55  
 Screw, Hex, .31-24 X 1 .50, 6-77  
 Screw, Hex, .38-16 X 0.62, 5, 6-11  
 Screw, Hex, .38-16 X 0.75, 5, 6-51, 6-53, 6-55, 6-145, 6-151, 6-159, 8-45  
 Screw, Hex, .38-16 X 0.75, Ss, 6-159  
 Screw, Hex, .38-16 X 1.0, 6-47  
 Screw, Hex, .38-16 X 1.00, 5, 6-11, 6-49, 6-53, 6-55  
 Screw, Hex, .38-16 X 1.00, Ss, 6-21  
 Screw, Hex, .38-16 X 1.25, 5, 6-11, 6-73, 6-77, 8-13, 8-19, 8-25  
 Screw, Hex, .38-16 X 1.25, G5, 6-49  
 Screw, Hex, .38-16 X 1.25, NI, 6-41  
 Screw, Hex, .38-16 X 1.50, 5, 6-51, 6-67, 6-77  
 Screw, Hex, .38-16 X 1.50, G5, 6-69  
 Screw, Hex, .38-16 X 1.50, Ss, 6-159  
 Screw, Hex, .38-16 X 2.00, G5, 6-55  
 Screw, Hex, .38-16 X 2.25, 5, 6-53

## CROSS REFERENCE

- Screw, Hex, .38-16 X 2.25, G5, 6-49  
Screw, Hex, .38-16 X 4.00, 5, 6-53, 6-55  
Screw, Hex, .38-24 X 1.50, 5, 8-5  
Screw, Hex, .50-13 X 0.75, 5, 6-153  
Screw, Hex, .50-13 X 1.00, 5, 6-11  
Screw, Hex, .50-13 X 1.25, 5, 6-73, 8-25  
Screw, Hex, .50-13 X 1.50, 6-47  
Screw, Hex, .50-13 X 2.00, NI, 6-47, 6-49, 8-7  
Screw, Hex, .50-13 X 3.50, 5, 6-41  
Screw, Hex, .50-20 X 1.25, NI, 6-147, 6-148  
Screw, Hex, .62-18 X 0.31, 6-49  
Screw, Hex, .M08 X 1.25 X 25, 5, 7-5  
Screw, Hex, #10-24 X 0.50, Ss, 6-53, 6-55  
Screw, Hex, M08 X 1.25 X 30, 8.8, 6-51, 8-22  
Screw, Hex, M10, 6-45, 8-3  
Screw, Hex, M10 X 1.5 X 35, 8.8, 6-47  
Screw, Hex, M10 X 1.5 X 50, 8.8, 8-22  
Screw, Hex, M10 X 1.5 X 20, 8.8, 16-23  
Screw, Hex, M10 X 1.5 X 25, 8.8, 16-12  
Screw, Hex, M10 X 1.5 X 30, 8.8, 8-7, 16-12  
Screw, Hex, M10 X 1.5 X 35, 8.8, 8-7  
Screw, Hex, M10 X 1.5 X 45, 8.8, 16-11  
Screw, Hex, M10-1.50 X 130, 5, 8-22  
Screw, Hex, M10-1.50 X 90, 8.8, 8-22  
Screw, Hex, M12 X 1.75 X 35, 8.8, 8-7  
Screw, Hex, M14, 8-3  
Screw, Hex, M14-20 X 30, 10.9, 8-5  
Screw, Hex, M6 X 1.0 X 16, 8.8, 8-9  
Screw, Hex, M6 X 1.0 X 20, 8.8, 6-33, 6-75  
Screw, Hex, M6 X 1.0 X 25, 8.8, 16-23  
Screw, Hex, M6 X 1.0 X 45, 8.8, 6-61  
Screw, Hex, M6 X 1.00 X 12, 8.8, 6-69  
Screw, Hex, M6 X 1.00 X 50, 8.8, 6-91  
Screw, Hex, M8, 6-45, 6-71, 7-3, 8-3  
Screw, Hex, M8 X 1.25 X 14mm, 16-17  
Screw, Hex, M8 X 1.25 X 16, 8.8, 6-53, 8-15, 16-11, 16-13, 16-15, 16-23  
Screw, Hex, M8 X 1.25 X 16, Ss, 6-159  
Screw, Hex, M8 X 1.25 X 16mm, 16-9  
Screw, Hex, M8 X 1.25 X 20, 8.8, 6-159, 8-21, 16-7, 16-15, 16-23, 16-26  
Screw, Hex, M8 X 1.25 X 25, 8.8, 6-69, 6-75, 16-8, 16-15, 16-17, 16-19  
Screw, Hex, M8 X 1.25 X 25mm, 16-25, 16-26  
Screw, Hex, M8 X 1.25 X 30, 8.8, 6-69, 16-19  
Screw, Hex, M8 X 1.25 X 40, 8.8, 16-21  
Screw, Hex, M8 X 1.25 X 40mm, 16-7  
Screw, Hex, M8 X 1.25 X 45, 8.8, 16-17  
Screw, Hex, M8 X 1.25 X 45mm, 16-17  
Screw, Hex, M8 X 1.25 X 80, 8.8, 16-17  
Screw, Hex, M8 X 1.25 X 90, 8.8, 16-21  
Screw, Horn Button, Wood, 6-32, 8-37  
Screw, M12-1.75 X 30, 8-5  
Screw, M6 X 10mm, 6-61, 7-17  
Screw, M6-1.0 X 85, 8-25  
Screw, M8-1.25 X 110, 6-51  
Screw, Pan, .25-20 X 0.75, 2, 6-127, 7-23, 8-65  
Screw, Pan, #06-32 X 0.50, 1, 6-13  
Screw, Pan, #08-32 X 0.62, 1, 6-127, 7-23, 8-65  
Screw, Pan, #10-24 X 0.38, 1, 6-127, 7-23, 8-65  
Screw, Pan, #10-24 X 0.62, 1, 6-13  
Screw, Pan, M06 X 1.0 X 20, 4.8, 6-73, 8-25  
Screw, Set, 10-20  
Screw, Soc, .31-18 X 1.0, 6-77  
Screw, Soc, .38-16 X 1.00, AI, 6-61, 7-17  
Screw, Soc, .38-16 X 1.25, AI, 6-47, 6-49  
Screw, Soc, .38-16 X 2.25, G5, 6-49  
Screw, Soc, .38-16 X 3.0, 6-47  
Screw, Soc, .38-24 X 1.00, 6-77  
Screw, Soc, .44-20 X 1.00, 5, 8-5  
Screw, Soc, .44-20 X 2.00, 8-5  
Screw, Soc, #12-24 X 1.50, 7-17  
Screw, Soc, M06 X 1.0 X 16, 12.9, 8-5  
Screw, Soc, M10 X 1.5 X 25, 12.9, 8-5, 8-7  
Screw, Soc, M6 X 1.00 X 70, 7-17  
Screw, Soc, M8 X 1.25 X 60, 12.9, 8-27  
Screw, Socket, 6-28, 6-29, 6-32, 8-37  
Screw, Socket, M10, 6-45  
Screw, Socket, Metric, 8-3  
Screw, Thumb, 6-168  
Seal, 12-11, 15-3, 15-7, 15-23, 16-3, 16-8, 16-12  
Seal Kit, 10-5, 10-21, 10-24, 10-27, 10-28, 10-30, 10-31  
Seal Kit (Replaced by None), 10-4  
Seal Kit, Cartridge, 10-35  
Seal Kit, Pump, 10-7, 10-9, 10-11, 10-13  
Seal Kit, Rear, 10-23  
Seal Kit, Relief Valve, 10-28  
Seal Kit, Scu, 10-26  
Seal Kit, Shaft, 10-23  
Seal Kit, Cntrl, 10-20  
Seal Kit, Stg, 10-25  
Seal, Bulb, 90, 0.50d .06-.09grip 022.5l, 6-75, 8-27  
Seal, Bulb, 90, 1.33 .06-.09grip 017.0l, 6-75, 8-27  
Seal, Bulb, 90, 1.33 .06-.09grip 026.0l, 6-75, 8-27  
Seal, Bulb, Str, 0.38th 0.75w 03.0l Adh, 6-13  
Seal, Bulb, Str, 0.38th 0.75w 10.75l Adh, 6-13  
Seal, Crank, Front, 16-11  
Seal, Dipstick, 16-3  
Seal, Inner Wheel Bearing, 6-35  
Seal, O-Ring, 6-146, 6-147, 8-11, 8-47  
Seal, O-Ring, .069 X 03.06id, 6-148  
Seal, Oil, 11-3, 11-11, 13-3, 14-3  
Seal, Oil, Crankshaft, 14-12  
Seal, Oil, Crankshaft (For Engine 16850), 13-12  
Seal, Oil, Crankshaft (For Engine 34910), 13-12  
Seal, Org, 7-13, 16-11, 16-13, 16-15, 16-19, 16-23  
Seal, Org, .072 X 00.35id #04, 10-35  
Seal, Org, .139 X 03.109 Id, 6-70  
Seal, Shaft, 11-11  
Seal, Shaft Oil, 11-11  
Seal, Suction Tube, 6-167  
Seal, Ure, 0.50th, 1.50w X 05.0l, Slit, 8-9  
Seal, Ure, 0.75 1.12w 19.0l Adh, 6-75, 8-27  
Seal, Org, Lpg, Mixer [Gm 2007], 7-17  
Sealer, 12-3, 12-5  
Sealer (RTV 3.35 OZ Tube), 12-7  
Sealer (RTV 5.0 OZ Tube), 12-7  
Seat, 6-15, 15-11  
Seat, Chk Ball, 10-25, 10-26  
Seat, Exhaust Valve, 11-5  
Send-unit, Fuel, 6-89, 6-91, 8-21  
Send-unit, Water, Temp, 04npt, 8-5, 8-7  
Send-unit, Water, Temperature, .12npt, 6-47  
Sending Unit, Fuel Tank, 6-85, 6-87, 8-17, 8-19  
Sending Unit, Temperature, 6-45, 8-3  
Sensor [T Map], 6-61, 7-17  
Sensor, [Tmap], 6-59, 7-13  
Sensor, Exhaust, Tailpipe, 6-69  
Sensor, Magnet, 8-5  
Sensor, Manifold Press, 10-37, 10-39  
Sensor, Oxygen, 6-67  
Sensor, Oxygen [Gm 1.6l/3.0l 2007], 6-69  
Sensor, Speed, Timing Wheel [3.0l], 6-59, 7-13  
Sensor, Temp, 6-59, 6-61, 7-13, 7-17, 10-37, 10-39  
Sensor, Temp, Coolant, 6-59, 6-61, 7-13  
Sensor, Temp, Water, 7-9, 7-11  
Sensor, Water Temp, 6-57  
Shaft, 10-4, 12-5, 15-3, 15-15  
Shaft Assembly, Brush, 6-27, 6-28, 6-29, 6-31  
Shaft Assy, 16-8  
Shaft S/A, 10-23  
Shaft, Brake, 6-43  
Shaft, Brush, 6-27, 6-31  
Shaft, Control, 6-39, 6-41, 8-39  
Shaft, Drive Sp, 10-7, 10-11  
Shaft, Fan, 6-157, 8-67  
Shaft, Idler, 16-3  
Shaft, Input, 10-20  
Shaft, Output, 10-21, 10-24  
Shaft, Pivot, 6-17  
Shaft, Rocker Arm, 11-7, 13-8, 14-8  
Shaft, Squeezegee Lift, 6-169

Sheave, 6-45, 8-3  
 Sheave, [Poly-V], 12.6d, 8grv, 2.50b, 6-47, 8-5  
 Sheave, 8grv, 12.6d, 4.10b, 8-7  
 Sheave, Fan, 6-157, 8-67  
 Sheet, Cover, 6-165  
 Shield, 12-3  
 Shield, Bearing, 6-28, 6-29  
 Shield, Dust, 6-49  
 Shield, Heat, 6-67, 10-37, 10-39, 13-5, 14-5  
 Shield, Heat [550/1550 07], 6-69  
 Shield, Heat, Alternator [2007], 6-55  
 Shield, Heat, Manifold, 6-61, 7-17  
 Shield, Starter, 6-45  
 Shim, 6-157, 6-161, 8-67, 10-15, 10-17, 15-15  
 Shim, 0.003 in (0.07 mm), 6-157  
 Shim, 0.003" (0.07 mm), 8-67  
 Shim, 0.005 in (0.12 mm), 6-157  
 Shim, 0.005" (0.12 mm), 8-67  
 Shim, 0.010 in (0.25 mm), 6-157  
 Shim, 0.010" (0.25 mm), 8-67  
 Shim, 0.020 in (0.50 mm), 6-157  
 Shim, 0.020" (0.50 mm), 8-67  
 Shim, 0.060 in (1.52 mm), 6-157  
 Shim, 0.060" (1.52 mm), 8-67  
 Shim, 16 Ga., 6-37  
 Shim, 20 Ga., 6-37  
 Shim, Bearing Bracket, 0.06" (1.5 mm), 6-28  
 Shim, Bearing Bracket, 0.12" (3 mm), 6-28  
 Shim, Bracket, 0.06" (1.5 mm), 6-27  
 Shim, Bracket, 0.12" (3 mm), 6-27  
 Shim, Washer, 0.88d 0.51b .020, 6-159  
 Shim, Washer, 0.88d 0.51b .060, 6-159  
 Shims, 10-9, 10-13  
 Shock, Absorber, 6-39  
 Short Block, 15-3  
 Short Block Assembly, R, Includes:  
 Block, Tappets, Camshaft, Crankshaft, Main Bearings, Bearing Caps, Pistons, Piston Pins, Piston Rings, Connecting Rods, Rod Bearings, Thrust Plate, Cam Gear, Gear, Oil Pump, Oil Gauge Support, and Gasket Set, 14-3  
 Short Block Assembly, R, Includes:  
 Block, Tappets, Camshaft, Crankshaft, Main Bearings, Bearing Caps, Pistons, Piston Pins, Piston Rings, Connecting Rods, Rod Bearings, Thrustplate, Cam Gear, Gear, Oil Pump, Oil Gauge Support, and Gasket Set, 11-3

Short Block Assembly, R, Includes:  
 Block, Tappets, Camshaft, Crankshaft, Main Bearings, Bearing Caps, Pistons, Piston Pins, Piston Rings, Connecting Rods, Rod Bearings, Thrust Plate, Cam Gear, Gear, Oil Pump, Oil Gauge Support, and Gasket Set, 13-3  
 Short Block Assembly, S, Includes: R ShortBlock Assembly Plus - Head, Guides, Valves and Associated Parts, Rocker Arm Shaft Assembly, Pushrods, Head Cover, Gear Cover, Oil Pan, Oil Filler Cap, and Gasket Set, 13-3, 14-3  
 Shroud, 6-11  
 Shroud Wldt, Fan, Dsl [550], W/Label, 8-27  
 Shroud Wldt, Fan, Radiator, W/ Label, 6-75  
 Shroud Wldt, Radiator / Hyd Cooler, 6-75, 8-27  
 Shroud, Engine Compartment, L.H., 6-9  
 Shroud, Engine Compartment, R.H., 6-9  
 Shroud, Fan, 6-71  
 Shroud, Front, 6-8  
 Skirt, 6-3  
 Skirt, Deflector, 6-18  
 Sleeve, 6-15, 6-17, 6-18, 6-27, 6-32, 6-39, 6-45, 6-157, 6-169, 8-2, 8-3, 8-37, 8-67, 15-11  
 Sleeve, Alternator, 6-51, 6-53, 6-55, 8-22  
 Sleeve, Bearing, 6-168, 6-169  
 Sleeve, Brake Lever, 6-42  
 Sleeve, Hose, 6-135, 6-137, 8-43  
 Sleeve, Nyl, #58 35.0l, 6-139  
 Sleeve, Nyl, 37 25.0l, 6-139  
 Sleeve, Nylon, 6-161  
 Sleeve, Throttle [Bosch], Plstc, 7-13  
 Sleeve, Tube Assembly, 14-5  
 Slide, L.H., 6-31  
 Slide, R.H., 6-29  
 Slider, 15-15  
 Slinger, Oil (Replaced by None), 11-8, 13-9, 14-9  
 Solenoid, Anti-Runon, 6-45  
 Solenoid, Fuel Shut-Off, 13-5  
 Solenoid, Lock Off, Lpg, 7-5  
 Solenoid, Tubular, 1" Pull 36vdc, 6-47  
 Solenoid, Valve, Hyd, 12vdc, 10-35  
 Spacer, 6-39, 6-125, 6-127, 6-157, 7-23, 8-32, 8-33, 8-65, 8-67, 10-25, 10-26, 15-9, 15-17, 15-25  
 Spacer Plate, 10-25  
 Spacer, Brake, 6-42  
 Spacer, Brake Arm, 6-42  
 Spacer, Fan, 6-71, 6-77, 8-27  
 Spacer, Fan, 2.50, 8-25  
 Spacer, Isolator, 6-31  
 Spacer, Seat Adjuster, 6-15  
 Spacer, Sppt, Filter Lock Off, 7-13

Spacer, Spring, 6-39  
 Spacer, Starter, 8-5  
 Spacer, Switch, 6-25  
 Spark Plug, 6-3, 6-4, 12-3  
 Spark Plug Wires, 12-5  
 Spark Plug, Gasoline, 11-18  
 Spark Plug, LPG, 11-18  
 Spool, 10-15, 10-17  
 Spring, 6-17, 6-18, 6-27, 6-31, 6-32, 6-39, 6-41, 6-169, 8-37, 8-39, 10-9, 10-13, 10-15, 10-17, 10-23, 12-3, 12-9, 15-7, 15-9, 15-13, 15-14, 15-15, 15-23, 16-8  
 Spring Kit, Scu, 10-25, 10-26  
 Spring Set, Advance, 11-18  
 Spring, Brake Cable, 6-42  
 Spring, Cmpr, 18.3d, 2.0w, 16.5l Mw Zn, 8-9  
 Spring, Cntr, 10-20  
 Spring, Compression, 6-44  
 Spring, Governor, 11-16  
 Spring, Governor Bumper, 11-11  
 Spring, Propel, Centering, 6-41, 8-39  
 Spring, Pump Lever Centering, 6-39  
 Spring, Rocker Arm Shaft, 11-7, 13-8, 14-8  
 Spring, Rocker Shaft Ends (For Engine 16850), 13-8  
 Spring, Tension, 6-157, 8-67  
 Spring, Valve, 11-5, 13-7, 14-7, 16-8  
 Spring, Retainer, 10-20  
 Squeegee, 9-9  
 Squeegee Assembly, Left Side, 6-23  
 Squeegee Assembly, Right Side, 6-21  
 Squeegee Blades Kit, Rear, 6-3  
 Squeegee Blades Kit, Side, 6-3  
 Squeegee, Windrow, 6-19  
 Starter, 6-47, 8-5, 11-12, 14-13, 16-12  
 Starter (For Engine 16850), 13-13  
 Starter (For Engine 34910) (Replaced by None), 13-13  
 Starter, 12vdc [Gm], 6-49  
 Steer Control, Hyd #4 05.9 150, 10-26  
 Steer Control, Hyd 3 6.2 1000, 10-25  
 Steer-control, Hyd2, 06.1, 6-33  
 Strainer, Fuel, 6-85, 6-87, 8-17, 8-19  
 Strainer, Hyd, 25gpm 100mesh Psi, 6-142  
 Strainer, Oil, 16-15  
 Strainer, Suction, 6-141, 8-46, 9-11  
 Strap, 6-89, 6-91, 8-21  
 Strap, Adjuster, 6-39  
 Strap, Adjusting, Alternator, 11-16  
 Strap, Alternator, 6-51, 13-17, 14-17  
 Strip, 6-25, 6-42  
 Strip, Backup, 6-4, 6-21, 6-23, 9-18  
 Strip, Cooler, Mtg, 6-73, 8-25  
 Strip, Cover, 6-23  
 Strip, Mounting, 6-71  
 Strip, Mtg, Cooler, 6-75, 8-27  
 Strip, Rear Backup, 6-3  
 Strip, Rear, Backup, 6-169  
 Strip, Spring, 6-169

## CROSS REFERENCE

Stud, 6-17, 6-37, 6-39, 6-41, 6-57, 6-59, 6-78, 6-79, 6-154, 7-9, 7-11, 7-14, 8-39, 11-13, 11-15, 11-16, 12-11, 13-14, 13-16, 14-14, 14-16, 15-9, 15-12, 15-17, 15-25, 16-7, 16-12, 16-19, 16-21, 16-23  
Stud, .003" O.S., 12-3  
Stud, .013" O.S., 12-3  
Stud, .38-16 X 1.2l, 6-59, 6-61, 7-17  
Stud, .38-16 X 2.25, 5, 8-5  
Stud, Door Latch, 6-165  
Stud, Latch, 6-167  
Stud, Wheel, 6-35  
Sump, 15-21  
Support, 6-11  
Support Assembly, Lower Bearing, 6-161  
Support, 10 in (254 mm), 9-5  
Support, 13 in (330 mm), 9-5  
Support, Brace, 6-9  
Support, Light, 9-4  
Support, Lower Bearing, 6-161  
Support, LPG Tank, 7-3  
Support, Rocker Arm Shaft, 11-7, 13-8, 14-8  
Support, Rocker Arm Shaft, Rear (NOT AVAILABLE), 11-7, 13-8  
Switch, 6-169, 9-4  
Switch Assembly, 10-29  
Switch, Brake Light Sending, 9-3  
Switch, Cleaning Solution Metering, 6-128  
Switch, Flow, 10-29  
Switch, Flow (See Breakdowns), 6-140  
Switch, Hi Low, 8-5  
Switch, Ign [Ku], 7-23, 8-65  
Switch, Ign [Ku], 6-125, 6-127  
Switch, Oil Pressure, 7-3  
Switch, On-Off, Squeegee Lift, 6-125  
Switch, Press, 12vdc 02a Dpdt N 0006psi, 8-7  
Switch, Pressure, 9-8  
Switch, Pressure, 7psi, Spdt, 6-49  
Switch, Push, 12vdc 80a Spst No, 6-127, 7-23, 8-65  
Switch, Roller, 6-169  
Switch, Snap Actn, 250vdc 25a Spdt, 6-25  
Switch, Speed, Eng, 6-47, 6-127, 7-23  
Switch, Toggle, 9-3, 9-5, 9-6  
Switch, Toggle, 250vac 06a Spst On/Of, 9-3, 9-4, 9-5, 9-6  
Switch, Toggle, 250vac 10a On/On, 6-127, 7-23, 8-65

## T

Taillight, 9-3  
Tank Assembly, LPG, 9-14  
Tank, Coolant, 06.0 04.5 06.9deep 2.5 Qt, 6-75, 8-27  
Tank, Detergent, 6-167  
Tank, Fuel, 6-85, 6-87, 8-17, 8-19

Tank, Fuel, 12 Gas 11.5 10.0 27.0, 6-89, 8-21  
Tank, Fuel, 12.2gal, 11.50w 10.0hi 27.0l, 6-91  
Tank, Lpg, 33lb, W/ Fill Gauge, [Liq], 7-5  
Tank, Lpg, 33lb, W/ Gauge [Empty] [Liq], 7-7  
Tank, LPG, with Filler Gauge, 7-3  
Tank, Recovery, 6-73, 6-165, 8-25  
Tappet, 15-9, 16-9  
Tappet, Valve, 11-7, 13-8, 14-8  
Tee, 6-43, 9-16, 11-16, 13-5, 14-5  
Terminal, 6-125, 8-32, 8-33  
Terminal,, 9-3  
Terminal, Male, 10-2  
Terminal, Qdc, [.25f, Insf,14], 6-127, 7-23, 8-65  
Terminal, Quick Disconnect, 6-125  
Terminal, Quick-Disconnect, 8-3, 8-32, 8-33  
Terminal, Ring, 8-32, 8-33, 9-3  
Terminal, Spade, #10stud, 14/16awg, 6-127, 7-23, 8-65  
Thermostat, 11-15, 12-3, 13-16, 14-16, 15-25  
Thermostat and Gasket, 11-15, 13-16, 14-16  
Thermostat, Coolant, 16-17  
Thumbscrew, Filter Hold-Down, 6-167  
Tie, Cable, 6-161, 6-163, 9-3  
Tie, Cable, Nyl, 14.5l .30w 4.0 Max D, 7-7  
Timer, 12vdc, 15s, 6-153  
Timing Gear Cover, 15-11  
Tip, Nozzle, 13-5, 14-5  
Tire, 6-34  
Tire and Wheel Assembly, 6-34  
Tool Assembly, Sludge Removal, 9-9  
Tray Wldt, Drip, Gas [3.0l], 6-59  
Tread, Non-Skid, 02.2w 15.5l, 6-171  
Tread, Non-Skid, 12.0w 14.5l, 6-171  
Trim, Plastic, Steering Column Housing, 6-9  
Tube, 12-7, 16-13  
Tube Assembly, 6-87, 8-17, 8-19, 13-5, 14-5  
Tube Assembly, Hydraulic, 6-71  
Tube Assembly, Oil Pump Inlet, 11-10, 13-11, 14-11  
Tube Assy, 15-21  
Tube Set, Fuel Injection, 14-5  
Tube Wldt, Fan, Vacuum, 6-159  
Tube Wldt, Tee, 6-83, 7-21  
Tube, 01.00d 00.50b 01.0l Stil Pnt, 6-53, 6-55  
Tube, 02.00d 01.88b 02.5l Ss, 6-83  
Tube, Air Cleaner, 6-78, 6-79, 7-18, 7-19, 8-28  
Tube, Air Intake, 8-3  
Tube, Brake Line, 6-43  
Tube, Brake Line, L.H., 6-43  
Tube, Brake Line, R.H., 6-43  
Tube, Coolant, 1.5d Lower, 6-75

Tube, Cooling, Oil, 16-3  
Tube, Dipstick, 16-3  
Tube, Exhaust, 6-63  
Tube, Exhaust [550d], 8-15  
Tube, Exhaust, 1.6d 1.6d 45deg Cut E90, 6-67  
Tube, Exhaust, 1.6d, 2 Sl Flng [550 07], 6-69  
Tube, Exhaust, 1.8d 1.8od Cut-45 E105, 6-65, 8-13, 8-15  
Tube, Exhaust, 2.0d [550/1550 07], 6-69  
Tube, Exhaust, 2.0d Flared W/ Flng, 6-67  
Tube, Exhaust, 2.0d Flared W/Flng, 6-65, 8-13  
Tube, Front Suction, 6-165  
Tube, Fuel (for Engines 16860/16870), 11-19  
Tube, Fuel (for Engines 34920/34930), 11-18  
Tube, Fuel (for Engines 34920/34930) (Replaced by none), 11-18  
Tube, Hydraulic, 7-3  
Tube, Inlet, 6-157, 8-67  
Tube, Intake, 6-157, 8-67  
Tube, Oil Cooler, 11-17, 13-18, 14-18  
Tube, Oil Filler, 13-3, 14-3  
Tube, Oil Gauge, 11-3  
Tube, PCV, 11-16  
Tube, Real Squeegee Suction, 6-167  
Tube, Vacuum, 11-18

## U

U-Bolt, 6-17

## V

V-Belt, 6-45, 6-157, 8-3, 8-67  
V-Bolts, 9-6  
Vacuum Advance, 11-18  
Valve, 10-23, 12-7, 12-9, 15-13  
Valve [Pcv], 6-61, 7-17  
Valve Assembly, Check, 10-4  
Valve Assembly, Relief (Includes Bearing), 10-4  
Valve Kit, Pump, 10-3  
Valve Plate, 10-9, 10-13  
Valve Section, 10-27  
Valve Section, Manual, 10-27  
Valve Spool, 10-20  
Valve, [Pcv], 6-47, 6-59, 7-13  
Valve, Ball, 12pf Brs [Rwk 374249], 6-25  
Valve, Body, Throttle, Lpg, 7-13  
Valve, Cartridge, Cntrl, 10-35  
Valve, Cartridge, Hyd, Press Cntrl, 10-35  
Valve, Check, 7-13, 13-5  
Valve, Exhaust, 11-5, 12-3, 13-7, 14-7, 16-8  
Valve, Fuelock, Lpg, W/Wire Connector, 7-13



Valve, Hyd, Man, 1sp 20gpm 2400psi  
(See Breakdowns), 6-145  
Valve, Hyd, Man/Sol, 12vdc 05gpm  
1200psi (See Breakdowns), 6-145  
Valve, Hyd, Solenoid [01s15g3100],  
10-35  
Valve, Hyd, Solenoid [01S15G3100] (See  
Breakdowns), 6-153  
Valve, Hydraulic, 10-28, 10-31  
Valve, Hydraulic (See Breakdowns),  
6-143, 6-154, 8-45  
Valve, Hydraulic, Solenoid, 10-27  
Valve, Inlet, 16-8  
Valve, Intake, 11-5, 12-3, 13-7, 14-7  
Valve, Lock Off, 7-17  
Valve, Lpg [Mixer], 7-17  
Valve, Lpg, Press Relief, [Rego], 7-7  
Valve, Pressure Relief, 7-3, 7-5  
Valve, Relief, 10-4, 10-15, 10-17, 16-15  
Valve, Relief, Press, Eng Oil, 16-15  
Valve, Shutoff, 16-25  
Valve, Stem, No, 10-35  
Valve, Tire, Air, 6-34  
Valve, Trim, Fuel, Normal Flow, 7-13  
Valve, Trim, Fuel, Normal Flow, E90,  
7-13  
Valve, Water, Drain, 9-16  
Vaporizer, LPG, 7-3  
Video, Operator, 550, 9-20  
Vr, Block, Long (See Perkins Engine  
Breakdown, Diesel), 8-5  
Vr, Shim Kit, Pump, Injection [Pk], 15-17  
Vr, Tube Kit, Injector [4 Tubes], 13-5

**W**

Wand Kit, Squeegee, 9-13  
Warning Kit, Brush Pressure, 9-8  
Washer, 6-17, 6-21, 6-23, 6-27, 6-28,  
6-29, 6-31, 6-32, 6-45, 6-57,  
6-59, 6-161, 6-169, 7-9, 7-11,  
7-14, 8-37, 10-7, 10-9, 10-11,  
10-13, 10-15, 10-17, 12-5, 12-9,  
12-11, 12-12, 13-5, 14-7, 15-5,  
15-11, 15-15, 15-17, 15-23,  
15-28, 15-29, 16-26  
Washer, 12-9  
Washer, Wavy, 6-39, 6-41, 8-39  
Washer, 0.53b 1.75d .12, Stl, Pl, 6-47,  
8-5  
Washer, 1.15b 1.75d .08, Stl, 6-127,  
7-23, 8-65  
Washer, 1.15B 1.75D .08Stl, 6-125  
Washer, 7.2mm X 14.5mm X 2mm,  
16-23  
Washer, 8.8mm X 16mm X 2mm, 16-7  
Washer, Belleville, 6-28, 6-29, 6-45,  
6-169, 8-3  
Washer, Belleville, .25, 6-127, 7-23,  
8-65  
Washer, Belleville, .31, 6-53, 6-55,  
6-159  
Washer, Belleville, .38, 6-49, 6-151

Washer, Belleville, .50, 6-153  
Washer, Copper, 13-5  
Washer, Dished, 9-3  
Washer, Drain Plug, 11-3, 13-3, 14-3  
Washer, Fiberglide, 6-169  
Washer, Flat, 6-35, 6-161, 6-168, 8-34,  
11-7, 13-7, 13-8, 14-7, 14-8  
Washer, Flat, .38 Sae, 6-53, 6-55, 8-13  
Washer, Flat, #06, 6-13  
Washer, Flat, #08, 6-127, 7-23, 8-65  
Washer, Flat, #10, 8-9  
Washer, Flat, 0.25 Sae, 6-11, 6-49,  
6-75, 8-21  
Washer, Flat, 0.25 Std, 6-11, 6-75,  
6-127, 7-23, 8-9, 8-27, 8-65  
Washer, Flat, 0.25, Sae, 6-69  
Washer, Flat, 0.25, Std, 6-61, 6-91,  
7-17  
Washer, Flat, 0.31 Sae, 6-11, 6-75,  
6-83, 6-89, 6-91, 6-153, 7-21,  
8-21, 8-27, 8-31, 16-8, 16-9,  
16-11, 16-13, 16-15, 16-17,  
16-19, 16-21, 16-23, 16-25, 16-26  
Washer, Flat, 0.31 Std, 6-11, 6-13,  
6-67, 6-75, 6-83, 6-89, 6-91, 7-7,  
7-21, 8-15, 8-21, 8-27, 8-31, 16-7  
Washer, Flat, 0.31, Hardened, 6-55  
Washer, Flat, 0.31, Std, 6-49, 6-69  
Washer, Flat, 0.34b 0.69d .06, Nyl, 6-13  
Washer, Flat, 0.38 Std, 6-11, 6-49,  
6-159, 8-7, 8-15, 16-11, 16-12,  
16-15, 16-23  
Washer, Flat, 0.38, Hardened, 6-61,  
7-17  
Washer, Flat, 0.38, Sae, 6-55  
Washer, Flat, 0.38, Std, 6-69  
Washer, Flat, 0.39b 0.75d .06, Nyl, 8-9  
Washer, Flat, 0.40b 1.12d .12, Stl, Pl,  
6-159  
Washer, Flat, 0.44b 1.00d .08, Ss, 6-21,  
6-27  
Washer, Flat, 0.50 Sae, 6-11, 6-147,  
6-148  
Washer, Flat, 0.50 Std, 6-49, 6-75, 8-7,  
8-27  
Washer, Flat, 0.53b 1.75d .12, Stl, Pl,  
8-7  
Washer, Flat, 0.53b 1.88d .12, Stl, Pl,  
6-49  
Washer, Flat, 0.53b 2.13d .11, Stl, Pl,  
6-49  
Washer, Flat, 0.75 Sae, 6-67, 6-159,  
8-15  
Washer, Flat, 0.75, Sae, 6-69  
Washer, Flat, Perkins, [550/1550], 8-5  
Washer, Flt, .25 Sae, 6-41, 6-47  
Washer, Flt, .25 Std, 6-73, 8-25  
Washer, Flt, .31 Ss, 6-70, 8-11, 16-15  
Washer, Flt, .31 Std, 6-51, 6-65, 6-70,  
6-73, 7-5, 8-5, 8-11, 8-13, 8-19,  
8-22, 8-25  
Washer, Flt, .38 Sae, 6-41, 6-47, 6-51,  
6-77

Washer, Flt, .38 Std, 6-47, 6-65, 6-73,  
8-13, 8-25  
Washer, Flt, .50 Std, 6-73, 8-25  
Washer, Flt, .75 Sae, 6-65, 8-13  
Washer, Loc, M5, 6-47, 6-49  
Washer, Lock, 6-161  
Washer, Lock, .25, 6-47, 6-49  
Washer, Lock, .31, 6-47, 6-49, 6-51,  
8-22  
Washer, Lock, .38, 6-47, 6-49, 6-51,  
6-77, 8-5  
Washer, Lock, .44, 8-5  
Washer, Lock, .50, 6-47  
Washer, Lock, #10, 6-47, 6-49, 6-57  
Washer, Lock, 0.38, 6-61, 7-17  
Washer, Lock, Int / Ext, 0.38, 6-61, 7-17  
Washer, Lock, Int-Ext, .31, 6-11, 6-127,  
7-23, 8-65  
Washer, Lock, Int-Ext, .38, 6-53, 6-55,  
8-7  
Washer, Lock, Int, .31, 6-89, 6-91, 7-5,  
7-7, 8-21  
Washer, Lock, Int, .38, 8-13  
Washer, Lock, Int, #06, 6-13  
Washer, Lock, Int, #08, 6-89, 6-91,  
6-127, 7-23, 8-65  
Washer, Lock, Int, #10, 6-89, 6-91  
Washer, Lock, Int, 08, Ss, 6-128  
Washer, Lock, M10, 8-5, 8-22  
Washer, Lock, M12, 8-5  
Washer, Lock, M6, 8-25  
Washer, M14, Hardened, 8-5  
Washer, Nylon, 6-9, 6-25, 6-78, 6-79  
Washer, Plain, 11-5, 11-8, 13-7, 13-9,  
14-8, 14-9  
Washer, Rocker Arm Shaft, 13-8, 14-8  
Washer, Rubber, 6-167, 9-14  
Washer, Seal, 6-165  
Washer, Sealing, 8-17, 9-4, 13-5  
Washer, Sealing, Eng, Dsl, 8-19  
Washer, Spacer, 6-161  
Washer, Spherical, 9-3  
Washer, Thrust, 6-168  
Washer, Wavy, 6-157, 8-67, 11-7, 13-8  
Water Pump, 12-12, 15-25  
Watertrap, 8-19  
Watertrap, Fuel, 8-17  
Weight, 15-15  
Weights Set, Advance, 11-18  
Wheel Assembly, Foam Filled, 1550,  
9-16  
Wheel, Steering, 6-32, 8-37  
Wheel, Steering, 14.3d 0.81b 36tooth,  
6-33  
Wire, 12-5  
Wire Assembly, No. 46, 8-3  
Wire Assembly, Headlight, 9-3  
Wire Assy, 06ga 13.0l Blk .41h/ .41h,  
6-49, 8-7  
Wire Assy, 4ga, 150 Amp Fuse, 8-7  
Wire Harness, Auto Squeegee, 6-117  
Wire Harness, Control Box, 6-117  
Wire Harness, Engine, Gas, 6-117

## CROSS REFERENCE

---

Wire Harness, Engine, LPG, 6-117  
Wire Harness, Level Warning, 6-125  
Wire Harness, Light, 1550, 9-3  
Wire Harness, Main, Gasoline and LPG,  
6-117  
Wire Harness, Tractor, Auto Squeegee,  
6-117  
Wire Kit, 9-4, 9-6, 9-8  
Wire Kit, Instrument Panel, 6-125  
Wire Kit, Operating Lights, 9-3  
Wire, Glow Plug, 13-5, 14-5  
Wire, Ground, 6-51, 6-53, 6-55  
Wire, Lead, 6-8  
Woodruff Key, 15-11, 15-15

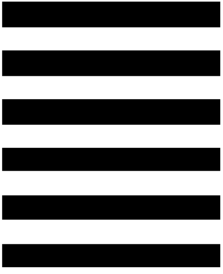




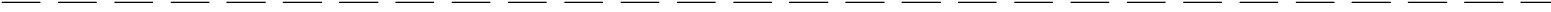
**TENNANT COMPANY**  
 Technical Publications #15  
 701 North Lilac Drive  
 P.O. Box 1452  
 Minneapolis, MN 55440-9947

POSTAGE WILL BE PAID BY ADDRESSEE

**BUSINESS REPLY MAIL**  
 FIRST CLASS MAIL PERMIT NO. 94 MINNEAPOLIS, MN

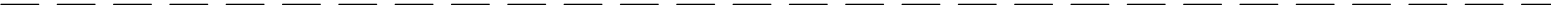


NO POSTAGE  
 NECESSARY  
 IF MAILED  
 IN THE  
 UNITED STATES



Fold along dotted lines

Tape here





# We Need Your Help...

As part of Tennant's Zero Defects Program, we want to know about errors you have found or suggestions you may have regarding our machine manuals. If you find an error or have a suggestion, please complete this postage-paid form and mail it to us. Thank you for helping us make zero defects a way of life at Tennant.

Manual No. \_\_\_\_\_ Rev. No. \_\_\_\_\_ Publish Date \_\_\_\_\_ Page \_\_\_\_\_  
Machine \_\_\_\_\_  Report Error  Suggestion

---

---

---

---

---

---

---

---

---

---

---

---

---

---

---

---

---

---

---

---

---

---

---

---

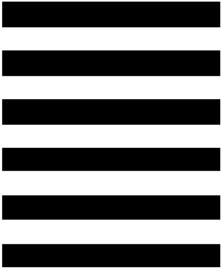
Name \_\_\_\_\_ Date \_\_\_\_\_  
Customer Number \_\_\_\_\_  
Company \_\_\_\_\_  
Address \_\_\_\_\_  
City/State/Zip Code \_\_\_\_\_



**TENNANT COMPANY**  
 Technical Publications #15  
 701 North Lilac Drive  
 P.O. Box 1452  
 Minneapolis, MN 55440-9947

POSTAGE WILL BE PAID BY ADDRESSEE

**BUSINESS REPLY MAIL**  
 FIRST CLASS MAIL PERMIT NO. 94 MINNEAPOLIS, MN



NO POSTAGE  
 NECESSARY  
 IF MAILED  
 IN THE  
 UNITED STATES



Fold along dotted lines

Tape here

