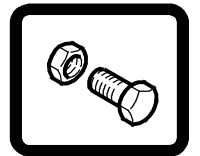




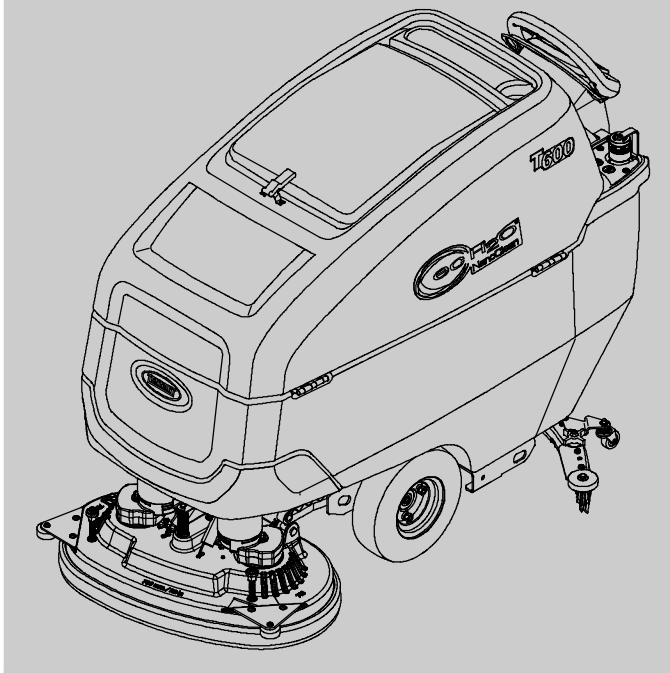
# T600e/T600

Walk-Behind Floor Scrubber

## Parts Manual



(S/N 10000000-20000000)



*Hygenic*<sup>®</sup> Fully Cleanable Recovery Tank  
*TennantTrue*<sup>®</sup> Parts  
*IRIS*<sup>®</sup> a Tennant Technology  
*Pro-Panel*<sup>®</sup> Controls  
*Insta-Fit*<sup>™</sup> Adapter  
*Smart-Fill*<sup>™</sup> Automatic Battery Watering



**North America / International**

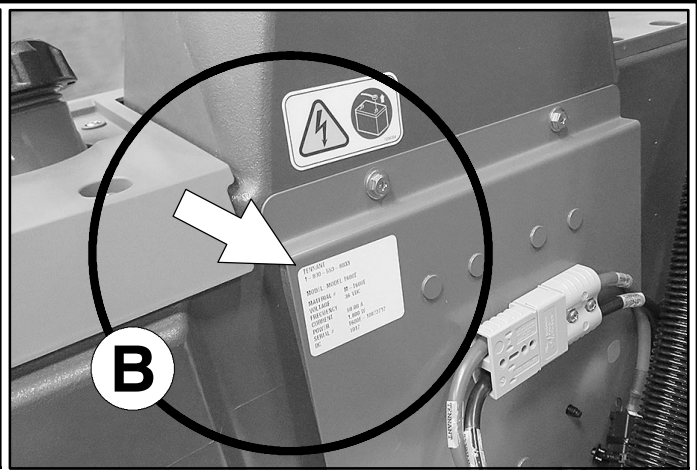
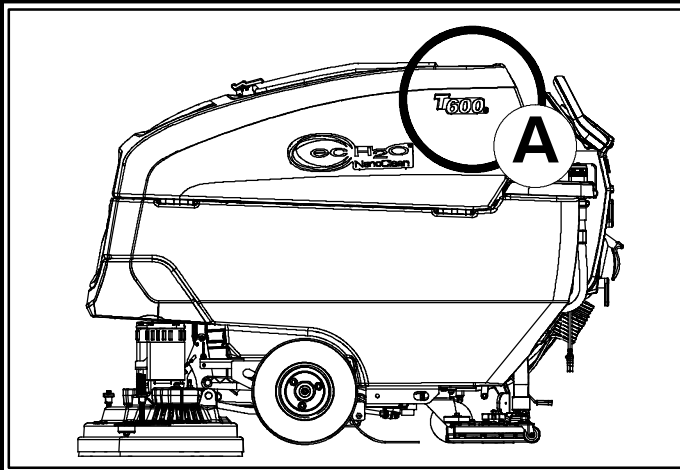


For the latest Parts manuals and other language Operator manuals, visit:

[www.tennantco.com/manual](http://www.tennantco.com/manual)

9016599  
Rev. 03 (11-2019)





| Ref | Part No. | Serial Number    | Description                     | Qty. |
|-----|----------|------------------|---------------------------------|------|
| 1   | 82681    | (000000- )       | Bracket Wldt, Lpg Mount         | 1    |
| ∇ 2 | 63810    | (000000- )       | Latch Assy, Lpg Tank Mtg, W/Nut | 4    |
| ▲ 3 | 51839    | (000000- )       | Nut Adjustable, Lpg Tank Mtg    | 2    |
| 4   | 49263    | (000000- )       | Tie, Cable                      | 3    |
|     | 82556    | (000000- 001039) | Bracket, Vaporizer              | 1    |
|     | 54930    | (000000- )       | Vaporizer, LPG                  | 1    |

**HOW TO ORDER PARTS - See diagram above**

Only use TENNANT Company supplied or equivalent parts. Parts and supplies may be ordered online, by phone, by fax or by mail.

Follow the steps below to ensure prompt delivery.

1. (A) Identify the machine model.
2. (B) Identify the machine serial number from the data label.
3. (C) Ensure the proper serial number is used from the parts list.
4. Identify the part number and quantity.  
Do not order by page or reference numbers.
5. Provide your name, company name, customer ID number, billing and shipping address, phone number and purchase order number.
6. Provide detail shipping instructions.

- (D) ∇ - identifies an assembly  
 ▲ - identifies parts included in assembly

**Please fill out at time of installation for future reference.**

Model No. - \_\_\_\_\_

Serial No. - \_\_\_\_\_

Machine Options - \_\_\_\_\_

Sales Rep. - \_\_\_\_\_

Sales Rep. phone no. - \_\_\_\_\_

Customer ID Number - \_\_\_\_\_

Installation Date - \_\_\_\_\_

**Tennant Company**  
 PO Box 1452  
 Minneapolis, MN 55440 USA  
 Phone: (800) 553-8033  
 www.tennantco.com

Specifications and parts are subject to change without notice.

Copyright © 2018 - 2019 TENNANT Company, Printed in U.S.A.

|           |   |   |
|-----------|---|---|
| <b>ES</b> | <p><b>CÓMO SOLICITAR PIEZAS - Consulte el diagrama anterior.</b></p> <p>Utilice sólo las piezas suministradas por TENNANT Company o piezas equivalentes. Puede solicitar las piezas a través de internet, por teléfono, por fax o por correo.</p> <p>Siga los siguientes pasos para que la entrega sea rápida.</p> <ol style="list-style-type: none"> <li>1. <b>(A)</b> Indique el modelo de máquina.</li> <li>2. <b>(B)</b> Indique el número de serie de la etiqueta de datos.</li> <li>3. <b>(C)</b> Asegúrese de que indica el número de serie correcto de la lista de piezas.</li> <li>4. Indique la cantidad y el número de la pieza.<br/>No realice el pedido indicando el número de página o el de referencia.</li> <li>5. Incluya su nombre, el nombre de la empresa, el ID de cliente, las direcciones de envío y facturación, el número de teléfono y el número del pedido de compra.</li> <li>6. Facilite instrucciones de envío.</li> </ol> <hr/> <p><b>(D)</b>    ▽ - identifica un conjunto<br/>          ▲ - identifica piezas de un conjunto</p> | <p><b>Rellene estos datos cuando realice la instalación para utilizarlos como referencia en el futuro.</b></p> <p>Nº modelo - _____</p> <p>Nº serie - _____</p> <p>Opciones de la máquina - _____</p> <p>Vendedor - _____</p> <p>Nº teléfono vendedor - _____</p> <p>Nº cliente - _____</p> <p>Fecha de instalación - _____</p> |
|-----------|---|---|

|           |   |   |
|-----------|---|---|
| <b>FR</b> | <p><b>COMMENT COMMANDER DES PIÈCES DÉTACHÉES - Voir le schéma ci-dessus.</b></p> <p>Utilisez uniquement des pièces fournies par la société TENNANT ou équivalentes. Les pièces et fournitures peuvent être commandées en ligne, par téléphone, fax, ou par courrier.</p> <p>Suivez les étapes ci-dessous pour assurer une livraison rapide.</p> <ol style="list-style-type: none"> <li>1. <b>(A)</b> Identifiez le modèle de la machine.</li> <li>2. <b>(B)</b> Identifiez le numéro de série de la machine, à partir de l'étiquette signalétique.</li> <li>3. <b>(C)</b> Assurez-vous que le numéro de série correct est utilisé à partir de la liste de pièces détachées.</li> <li>4. Identifiez le numéro de pièce et la quantité. Ne commandez pas par page ou numéros de référence.</li> <li>5. Fournissez votre nom, le nom de votre société, votre numéro d'identification de client, l'adresse de facturation et d'expédition, le numéro de téléphone et le numéro du bon de commande.</li> <li>6. Fournissez des instructions d'expédition détaillées.</li> </ol> <hr/> <p><b>(D)</b>    ▽ - identifie un assemblage<br/>          ▲ - identifie les pièces composant l'assemblage</p> | <p><b>A remplir au moment de l'installation à titre de référence.</b></p> <p>Nº du modèle - _____</p> <p>Nº de série - _____</p> <p>Options de la machine - _____</p> <p>Agent commercial - _____</p> <p>Nº tél. de l'agent commercial - _____</p> <p>Numéro d'identification client - _____</p> <p>Date d'installation - _____</p> |
|-----------|---|---|



**STANDARD PARTS**

|  |    |   |    |
|--|----|---|----|
| GENERAL RECOMMENDED MAINTENANCE ITEMS .....                | 7  | LOWER CONSOLE GROUP, ON- BOARD CHARGER (LITHIUM- ION) .....   | 58 |
| REPLACEMENT BRUSHES AND PAD DRIVER DISK .....              | 10 | LOWER CONSOLE GROUP, OFF- BOARD CHARGER .....   | 60 |
| REPLACEMENT BRUSHES CYLINDRICAL ....                       | 12 | LOWER CONSOLE GROUP, OFF- BOARD CHARGER (LITHIUM- ION) .....  | 62 |
| REPLACEMENT PADS ORBITAL .....                             | 13 | CONSOLE HANDLE, MEMBRANE PANEL (T600e MODEL) .....  | 64 |
| SCRUB HEAD GROUP, DISK 700MM / 28IN ...                    | 14 | CONSOLE HANDLE, PRO- MEMBRANE PANEL (T600 MODEL) .....  | 66 |
| SCRUB HEAD GROUP, DISK 800MM / 32IN ...                    | 16 | CONSOLE HANDLE, PRO- PANEL LCD (T600 MODEL) .....   | 68 |
| SCRUB HEAD GROUP, DISK 900MM / 36IN ...                    | 18 | SQUEEGEE LIFT GROUP .....   | 70 |
| SCRUB HEAD GROUP, CYLINDRICAL 700MM / 28IN .....           | 20 | SQUEEGEE ASSEMBLY, 650MM / 26IN (Intended for 700MM Scrub Head Size) (New Style 9018626) .....                            | 72 |
| SCRUB HEAD GROUP, CYLINDRICAL 700MM / 28IN - CONT'D .....  | 22 | SQUEEGEE ASSEMBLY, 650MM / 26IN (Intended for 700MM Scrub Head Size) (Upgraded Style 9018098 - Replaced By 9018626) ..... | 74 |
| SCRUB HEAD GROUP, CYLINDRICAL 800MM / 32IN .....           | 24 | SQUEEGEE ASSEMBLY, 650MM / 26IN (Intended for 700MM Scrub Head Size) (Original Style 9015301 - Replaced By 9018626) ..... | 76 |
| SCRUB HEAD GROUP, CYLINDRICAL 800MM / 32IN - CONT'D .....  | 26 | SQUEEGEE ASSEMBLY, 700MM / 28IN (Intended for 800MM Scrub Head Size) (New Style 9018627) .....                            | 78 |
| SCRUB HEAD GROUP, ORBITAL 700MM / 28IN                     | 28 | SQUEEGEE ASSEMBLY, 700MM / 28IN (Intended for 800MM Scrub Head Size) (Upgraded Style 9018086 - Replaced By 9018627) ..... | 80 |
| RECOVERY TANK GROUP .....                                  | 30 | SQUEEGEE ASSEMBLY, 700MM / 28IN (Intended for 800MM Scrub Head Size) (Original Style 9015302 - Replaced By 9018627) ..... | 82 |
| RECOVERY TANK COVER GROUP .....                            | 32 | SQUEEGEE ASSEMBLY, 800MM / 32IN (Intended for 900MM Scrub Head Size) (New Style 9018628) .....                            | 84 |
| RECOVERY TANK FILTER AND HOSE GROUP, PINCH TWIST CAP ..... | 34 | SQUEEGEE ASSEMBLY, 800MM / 32IN (Intended for 900MM Scrub Head Size) (Upgraded Style 9018127 - Replaced By 9018628) ..... | 86 |
| SOLUTION TANK GROUP, STANDARD FILL ...                     | 36 | SQUEEGEE ASSEMBLY, 800MM / 32IN (Intended for 900MM Scrub Head Size) (Original Style 9015303 - Replaced By 9018628) ..... | 88 |
| SOLUTION TANK GROUP, AUTO- FILL .....                      | 38 | STANDARD SOLUTION GROUP .....   | 90 |
| STANDARD ELECTRICAL GROUP (T600e MODEL) .....              | 40 | STANDARD LABEL GROUP .....  | 92 |
| STANDARD ELECTRICAL GROUP (T600 MODEL) .....               | 42 | STANDARD LABEL GROUP (BRAZIL) .....   | 93 |
| FRAME AND DRIVE GROUP, WITHOUT PARK LOCK .....             | 44 |   |    |
| FRAME AND DRIVE GROUP, WITH PARK LOCK                      | 46 |   |    |
| HEAD LIFT GROUP, DISK .....                                | 48 |   |    |
| HEAD LIFT GROUP, CYLINDRICAL .....                         | 50 |   |    |
| HEAD LIFT GROUP, ORBITAL .....                             | 52 |   |    |
| SHROUD GROUP, DISK AND ORBITAL .....                       | 54 |   |    |
| SHROUD GROUP, CYLINDRICAL .....                            | 55 |   |    |
| LOWER CONSOLE GROUP, ON- BOARD CHARGER .....               | 56 |   |    |

# TABLE OF CONTENTS

---

|   |     |
|---|-----|
| ELECTRICAL DIAGRAM T600e MODEL .....                      | 94  |
| ELECTRICAL DIAGRAM T600 MODEL .....                       | 100 |
| ELECTRICAL HARNESS, MAIN T600e MODEL .                    | 106 |
| ELECTRICAL HARNESS, OPERATOR STATION<br>T600e MODEL ..... | 112 |
| ELECTRICAL HARNESS, MAIN T600 MODEL ..                    | 114 |
| ELECTRICAL HARNESS, OPERATOR STATION<br>T600 MODEL .....  | 120 |
| ELECTRICAL HARNESS, BAIL SWITCH .....                     | 122 |

## OPTIONS

|  |     |
|--|-----|
| BATTERY GROUP, WET 210AH .....                               | 124 |
| BATTERY GROUP, WET 240AH .....                               | 126 |
| BATTERY GROUP, WET 360AH .....                               | 128 |
| BATTERY GROUP, TPPL 210AH<br>(FAST CHARGE) .....             | 130 |
| BATTERY GROUP, LITHIUM- ION, 36V, 10.2KWH<br>(5 PACK) .....  | 132 |
| BATTERY GROUP, LITHIUM- ION, 36V, 8.2KWH<br>(4 PACK) .....   | 133 |
| BATTERY GROUP, LITHIUM- ION, 36V, 4.1KWH<br>(2 PACK) .....   | 134 |
| BATTERY LIFT GROUP, LITHIUM- ION .....                       | 135 |
| SMART-FILL™ AUTOMATIC BATTERY WATERING<br>GROUP .....        | 136 |
| HYDROLINK® MANUAL BATTERY WATERING<br>KIT .....              | 138 |
| TELEMETRY GROUP (T600e MODEL) .....                          | 140 |
| TELEMETRY GROUP (T600 MODEL) .....                           | 142 |
| ec-H2O SOLUTION GROUP .....                                  | 144 |
| SEVERE ENVIRONMENT SOLUTION GROUP<br>(T600 MODEL) .....      | 146 |
| RECOVERY TANK RINSE, WITH CONVENTIONAL<br>(T600 MODEL) ..... | 148 |
| RECOVERY TANK RINSE, WITH ec- H2O<br>(T600 MODEL) .....      | 150 |
| RECOVERY TANK HOSE GROUP, VALVE .....                        | 152 |
| SOLUTION TANK AUTO-FILL KIT .....                            | 154 |
| TALL WET FLOOR SIGN HANGER KIT .....                         | 155 |
| TRANSPORT KIT .....  | 156 |

|  |     |
|--|-----|
| SEVERE ENVIRONMENT LOCKOUT KIT<br>(T600 MODEL) ..... | 157 |
| DOCUMENTATION GROUP .....                            | 158 |

## BREAKDOWNS

|   |     |
|---|-----|
| ec- H2O NANOCLEAN MODULE<br>BREAKDOWN .....     | 160 |
| ORBITAL HEAD ECCENTRIC DRIVE<br>BREAKDOWN ..... | 162 |

# RECOMMENDED MAINTENANCE ITEMS

## GENERAL RECOMMENDED MAINTENANCE ITEMS

| Part No. | Serial Number         | Description                                      | Qty. |
|----------|-----------------------|--|------|
| 1246592  | (10000000- 20000000 ) | Brush Assy, Disk, Scb, 14.0d, Pyp                | 2    |
| 1246591  | (10000000- 20000000 ) | Brush Assy, Disk, Scb, 14.0d, Nyl                | 2    |
| 1246593  | (10000000- 20000000 ) | Brush Assy, Disk, Scb, 14.0d, Sab                | 2    |
| 1246596  | (10000000- 20000000 ) | Brush Assy, Disk, Scb, 16.0d, Pyp                | 2    |
| 1246598  | (10000000- 20000000 ) | Brush Assy, Disk, Scb, 16.0d, Hd Pyp             | 2    |
| 1246595  | (10000000- 20000000 ) | Brush Assy, Disk, Scb, 16.0d, Nyl                | 2    |
| 1246597  | (10000000- 20000000 ) | Brush Assy, Disk, Scb, 16.0d, Sab                | 2    |
| 1246601  | (10000000- 20000000 ) | Brush Assy, Disk, Scb, 18.0d, Pyp                | 2    |
| 1246600  | (10000000- 20000000 ) | Brush Assy, Disk, Scb, 18.0d, Nyl                | 2    |
| 1246602  | (10000000- 20000000 ) | Brush Assy, Disk, Scb, 18.0d, Sab                | 2    |
| 1243657  | (10000000- 20000000 ) | Pad, Stripping, 14.0d Brown [1pick=1ctn]         | 2    |
| 1243344  | (10000000- 20000000 ) | Pad, Scb, 14.0d, Blu [1pick=1ctn]                | 2    |
| 1243656  | (10000000- 20000000 ) | Pad, Buff, 14.0d Red [1pick=1ctn]                | 2    |
| 1243343  | (10000000- 20000000 ) | Pad, Polish, 14.0d, White [1pick=1ctn]           | 2    |
| 1243658  | (10000000- 20000000 ) | Pad, Strip, 14.0d Blk[Hi Prod1pick=1ctn]         | 2    |
| 1243667  | (10000000- 20000000 ) | Pad, Surf Prep, 14.0d Maroon[1pick=1ctn]         | 2    |
| 1240389  | (10000000- 20000000 ) | Pad, Polish, 14.0d, Yel [1pick=1ctn]             | 2    |
| 1243685  | (10000000- 20000000 ) | Pad, Stripping, 16.0d, Brn [1pick=1ctn]          | 2    |
| 1243354  | (10000000- 20000000 ) | Pad, Scb, 16.0d, Blu [1pick=1ctn]                | 2    |
| 1243355  | (10000000- 20000000 ) | Pad, Buff, 16.0d, Red [1pick=1ctn]               | 2    |
| 1243356  | (10000000- 20000000 ) | Pad, Polish, 16.0d, White [1pick=1ctn]           | 2    |
| 1243659  | (10000000- 20000000 ) | Pad, Strip, 16.0d Blk[Hi Prod1pick=1ctn]         | 2    |
| 1243668  | (10000000- 20000000 ) | Pad, Surf Prep, 16.0d Maroon[1pick=1ctn]         | 2    |
| 1240390  | (10000000- 20000000 ) | Pad, Polish, 16.0d, Yel [1pick=1ctn]             | 2    |
| 1243724  | (10000000- 20000000 ) | Pad, Stripping, 18.0d, Brn [1pick=1ctn]          | 2    |
| 1243335  | (10000000- 20000000 ) | Pad, Scb, 18.0d, Blu [1pick=1ctn]                | 2    |
| 1243336  | (10000000- 20000000 ) | Pad, Buff, 18.0d, Red [1pick=1ctn]               | 2    |
| 1243337  | (10000000- 20000000 ) | Pad, Polish, 18.0d, White [1pick=1ctn]           | 2    |
| 1243660  | (10000000- 20000000 ) | Pad, Strip, 18.0d Blk[Hi Prod1pick=1ctn]         | 2    |
| 1240392  | (10000000- 20000000 ) | Pad, Polish, 18.0d, Yel [1pick=1ctn]             | 2    |
| 222304   | (10000000- 20000000 ) | Brush, Scb, 28l, 18sr, Pyp, Spl                  | 2    |
| 374041   | (10000000- 20000000 ) | Brush, Scb, 28l, 18sr, Hd Pyp, Spl               | 2    |
| 222305   | (10000000- 20000000 ) | Brush, Scb, 28l, 18sr, Nyl, Spl                  | 2    |
| 222306   | (10000000- 20000000 ) | Brush, Scb, 28l, 18sr, Abr, Spl                  | 2    |
| 222307   | (10000000- 20000000 ) | Brush, Scb, 32l, 18sr, Pyp, Spl [Grout]          | 2    |
| 374042   | (10000000- 20000000 ) | Brush, Scb, 32l, 18sr, Hd Pyp, Spl               | 2    |
| 222308   | (10000000- 20000000 ) | Brush, Scb, 32l, 18sr, Nyl, Spl                  | 2    |
| 222309   | (10000000- 20000000 ) | Brush, Scb, 32l, 18sr, Abr, Spl                  | 2    |
| 1223247  | (10000000- 20000000 ) | Pad, Scb, 28 X 14, Blu [1pc=1pad]                | 1    |
| 1244690  | (10000000- 20000000 ) | Pad, Buff, 28 X 14, Red [1pick=1ctn]             | 1    |
| 1223246  | (10000000- 20000000 ) | Pad, Polish, 28 X 14, White [1pc=1pad]           | 1    |
| 1223248  | (10000000- 20000000 ) | Pad, Surf Prep, 28 X 14, Mar [1pc=1pad]          | 1    |
| 1223250  | (10000000- 20000000 ) | Pad, Scb, 28 X 14, Green [1pick=1ctn]            | 1    |
| 1075563  | (10000000- 20000000 ) | Pad, Stripping, 28 X 14, Blk [1pick=1ctn]        | 1    |
| 1240343  | (10000000- 20000000 ) | Pad, Polish, 28 X 14, Yel [1pick=1ctn]           | 1    |
| 1228002  | (10000000- 20000000 ) | Pad, Melamine, 14" X 28" [Case Of 5]             | 1    |
| 1221839  | (10000000- 20000000 ) | Pad, Backer, 28 X 14 (Includes Velcro Fasteners) | 1    |

# RECOMMENDED MAINTENANCE ITEMS

## GENERAL RECOMMENDED MAINTENANCE ITEMS

|   | Part No. | Serial Number         | Description   | Qty. |
|---|----------|-----------------------|---|------|
| ▽ | 9015734  | (10000000- 20000000 ) | Blade Kit, 650mm, Linatex/Linard<br>(Standard - Intended for 700mm Scrub Head Size)   | 1    |
| ▲ | 1221585  | (10000000- 20000000 ) | Blade, Sqge, Rear, 1166l, Linatex[650mm] (Standard)                                   | 1    |
| ▲ | 1232680  | (10000000- 20000000 ) | Blade, Sqge, Front, 1072l Linard[650mm] (Standard)                                    | 1    |
| ▽ | 9015735  | (10000000- 20000000 ) | Blade Kit, 650mm, Urethane<br>(Option - Intended for 700mm Scrub Head Size)           | 1    |
| ▲ | 1228909  | (10000000- 20000000 ) | Blade, Sqge, Rear, 1136l,Urethane[650mm] (Option)                                     | 1    |
| ▲ | 1228915  | (10000000- 20000000 ) | Blade, Sqge, Front,1072l,Urethane[650mm] (Option)                                     | 1    |
| ▽ | 9015733  | (10000000- 20000000 ) | Blade Kit, 650mm, Gum<br>(Option - Intended for 700mm Scrub Head Size)                | 1    |
| ▲ | 1228910  | (10000000- 20000000 ) | Blade, Sqge, Rear, 1136l, Gum[650mm] (Option)   | 1    |
| ▲ | 1228919  | (10000000- 20000000 ) | Blade, Sqge, Front, 1072l Gum[650mm] (Option)   | 1    |
| ▽ | 9015737  | (10000000- 20000000 ) | Blade Kit, 700mm, Linatex/Linard<br>(Standard - Intended for 800mm Scrub Head Size)   | 1    |
| ▲ | 1221572  | (10000000- 20000000 ) | Blade, Sqge, Rear, 1204l, Linatex[700mm] (Standard)                                   | 1    |
| ▲ | 1232679  | (10000000- 20000000 ) | Blade, Sqge, Front, 1148l Linard[700mm] (Standard)                                    | 1    |
| ▽ | 9015738  | (10000000- 20000000 ) | Blade Kit, 700mm, Urethane<br>(Option - Intended for 800mm Scrub Head Size)           | 1    |
| ▲ | 1228904  | (10000000- 20000000 ) | Blade, Sqge, Rear, 1204l,Urethane[700mm] (Option)                                     | 1    |
| ▲ | 1228906  | (10000000- 20000000 ) | Blade, Sqge, Front,1148l Urethane[700mm] (Option)                                     | 1    |
| ▽ | 9015736  | (10000000- 20000000 ) | Blade Kit, 700mm, Gum<br>(Option - Intended for 800mm Scrub Head Size)                | 1    |
| ▲ | 1228905  | (10000000- 20000000 ) | Blade, Sqge, Rear, 1204l, Gum[700mm] (Option)   | 1    |
| ▲ | 1228907  | (10000000- 20000000 ) | Blade, Sqge, Front, 1148l Gum[700mm] (Option)   | 1    |
| ▽ | 9015740  | (10000000- 20000000 ) | Blade Kit, 800mm, Linatex/Linard<br>(Standard - Intended for 900mm Scrub Head Size)   | 1    |
| ▲ | 1221115  | (10000000- 20000000 ) | Blade, Sqge, Rear, 1306l, Linatex[800mm] (Standard)                                   | 1    |
| ▲ | 1232681  | (10000000- 20000000 ) | Blade, Sqge, Front, 1256l Linard[800mm] (Standard)                                    | 1    |
| ▽ | 9015741  | (10000000- 20000000 ) | Blade Kit, 800mm, Urethane<br>(Option - Intended for 900mm Scrub Head Size)           | 1    |
| ▲ | 1228920  | (10000000- 20000000 ) | Blade, Sqge, Rear, 1306l,Urethane[800mm] (Option)                                     | 1    |
| ▲ | 1228922  | (10000000- 20000000 ) | Blade, Sqge, Front,1256l Urethane[800mm] (Option)                                     | 1    |
| ▽ | 9015739  | (10000000- 20000000 ) | Blade Kit, 800mm, Gum<br>(Option - Intended for 900mm Scrub Head Size)                | 1    |
| ▲ | 1228921  | (10000000- 20000000 ) | Blade, Sqge, Rear, 1306l, Gum[800mm] (Option)   | 1    |
| ▲ | 1228923  | (10000000- 20000000 ) | Blade, Sqge, Front, 1256l Gum[800mm] (Option)   | 1    |
| ▽ | 1063103  | (10000000- 20000000 ) | Motor, Ele, 36vdc 200rpm .75hp Gear<br>(T600e Disk Models - Also Requires Ferrites)   | 2    |
| ▲ | 1066573  | (10000000- 20000000 ) | Vr, Brush Kit, Motor 1 Pick = 4 Pcs   | 1    |
| ▽ | 1063463  | (10000000- 20000000 ) | Motor, Ele, 36vdc 300rpm 1.0hp Gear<br>(T600 Disk Models - Also Requires Ferrites)    | 2    |
| ▲ | 1066573  | (10000000- 20000000 ) | Vr, Brush Kit, Motor 1 Pick = 4 Pcs   | 1    |
| ▽ | 1230332  | (10000000- 20000000 ) | Motor, Ele, 36vdc 1800rpm 0.9hp<br>(Cylindrical Models - Also Requires Ferrites)      | 2    |
| ▲ | 9011916  | (10000000- 20000000 ) | Vr, Brush Kit, Motor  | 1    |
| ▽ | 1230329  | (10000000- 20000000 ) | Motor, Ele, 36vdc, 2200rpm, 0.75hp 18.5a<br>(Orbital Models - Also Requires Ferrites) | 1    |
| ▲ | 1059370  | (10000000- 20000000 ) | Brush, Motor, Replmt [Bag Of 4)   | 1    |
|   | 1232325  | (10000000- 20000000 ) | Bumper, Head, 70cm, Skirt, Im   | 1    |
|   | 1232326  | (10000000- 20000000 ) | Bumper, Head, 80cm, Skirt, Im   | 1    |
|   | 1226723  | (10000000- 20000000 ) | Bumper, Head, 90cm, Skirt, Im   | 1    |

▽ ASSEMBLY

▲ INCLUDED IN ASSEMBLY



# RECOMMENDED MAINTENANCE ITEMS

## GENERAL RECOMMENDED MAINTENANCE ITEMS

|   | Part No. | Serial Number         | Description  | Qty. |
|---|----------|-----------------------|--|------|
| ▽ | 9017504  | (10000000- 20000000 ) | Fan Kit, Vacuum, Ci [T600/T600e] (Ferrite Included)  | 1    |
| ▲ | 1206774  | (10000000- 20000000 ) | Vr, Brush Kit, Motor, Fan  | 1    |
|   | 1230171  | (10000000- 20000000 ) | Tray, Debris [T600]  | 1    |
|   | 609531   | (10000000- 20000000 ) | Float, Shutoff, Vacuum, 1- Ball, 1.50d   | 1    |
|   | 1211537  | (10000000- 20000000 ) | Filter, In- Line [80 Mesh, Fine, White]  | 1    |
|   | 222403   | (10000000- 20000000 ) | Wheel, 02.0d 0.88w 0.50b (Disk)  | 2    |
|   | 630477   | (10000000- 20000000 ) | Wheel, Pyu, 02.0d 0.38w, Gray (Cylindrical)  | 6    |
|   | 1014918  | (10000000- 20000000 ) | Wheel, 03.0d 0.88w 0.31b, W/ Bshg, Rbr (Orbital)   | 2    |
|   | 1049046  | (10000000- 20000000 ) | Caster, Swivel, 5.0d 2.0w, 4hole, Gray   | 2    |
|   | 1231001  | (10940148- 20000000 ) | Tire Assy, Foam, 4.10/3.5- 06 3.5bc/3bolt (Standard)                                       | 2    |
|   | 1236073  | (10000000- 10940147 ) | Tire Assy, Solid, 4.1/3.5- 06 3.5bc/3bolt (Standard)<br>(Replaced By 1231001 - Order Qty2) | 2    |
|   | 1244372  | (10944148- 20000000 ) | Tire Assy, Pneu, Blk, 4.10/3.5- 06 3.5bc (Option)  | 2    |
|   | 1059450  | (10000000- 10944147 ) | Tire Assy, Pneu, Blk, 4.10/3.5- 06 3.5bc (Option)<br>(Replaced By 1244372)                 | 2    |
| ▽ | 1243083  | (10000000- 20000000 ) | Vr, Motor Kit, Transaxle [T600/T600e]  | 1    |
| ▲ | 1072555  | (10000000- 20000000 ) | Vr, Brush Kit, Motor 1072554/1243083   | 1    |
| ▽ | 9016885  | (10000000- 20000000 ) | Belt Kit, Motor, Afmkt (Includes Qty 2 Belts & Install Tool)                               | 1    |
| ▲ | 1231688  | (10000000- 20000000 ) | Belt, 7 Rib, 19.5l   | 1    |
| ▲ | 1234733  | (10000000- 20000000 ) | Tool, Installation, Belt   | 1    |
| ▽ | 9011810* | (10000000- 20000000 ) | Module Kit, Replmt [Ec- H2o, B 02] (See Breakdowns)  | 1    |
| ▲ | 9013646  | (10000000- 20000000 ) | Cartridge, Ec- H2o Nanoclean Wcm, 270ml  | 1    |
| ▽ | 9017498  | (10000000- 20000000 ) | Parts Kit, Maint, Afmkt 650 [T600/E]<br>(Intended for 700MM Scrub Head Size)               | 1    |
| ▲ | 1230171  | (10000000- 20000000 ) | Tray, Debris [T600]  | 1    |
| ▲ | 9017507  | (10000000- 20000000 ) | Hose Kit, Drain, Pvc, Ci [T600/T600e]  | 1    |
| ▲ | 9017505  | (10000000- 20000000 ) | Hose Kit, Recvy, Pvc, Ci [T600/T600e]  | 1    |
| ▲ | 609531   | (10000000- 20000000 ) | Float, Shutoff, Vacuum, 1- Ball, 1.50d   | 1    |
| ▲ | 1221585  | (10000000- 20000000 ) | Blade, Sqge, Rear, 1166l, Linatex[650mm]   | 1    |
| ▲ | 1232680  | (10000000- 20000000 ) | Blade, Sqge, Front, 1072l Linard[650mm]  | 1    |
| ▲ | 1211537  | (10000000- 20000000 ) | Filter, In- Line [80 Mesh, Fine, White]  | 1    |
| ▽ | 9017499  | (10000000- 20000000 ) | Parts Kit, Maint, Afmkt 700 [T600/E]<br>(Intended for 800MM Scrub Head Size)               | 1    |
| ▲ | 1230171  | (10000000- 20000000 ) | Tray, Debris [T600]  | 1    |
| ▲ | 9017507  | (10000000- 20000000 ) | Hose Kit, Drain, Pvc, Ci [T600/T600e]  | 1    |
| ▲ | 9017505  | (10000000- 20000000 ) | Hose Kit, Recvy, Pvc, Ci [T600/T600e]  | 1    |
| ▲ | 609531   | (10000000- 20000000 ) | Float, Shutoff, Vacuum, 1- Ball, 1.50d   | 1    |
| ▲ | 1221572  | (10000000- 20000000 ) | Blade, Sqge, Rear, 1204l, Linatex[700mm]   | 1    |
| ▲ | 1232679  | (10000000- 20000000 ) | Blade, Sqge, Front, 1148l Linard[700mm]  | 1    |
| ▲ | 1211537  | (10000000- 20000000 ) | Filter, In- Line [80 Mesh, Fine, White]  | 1    |
| ▽ | 9017500  | (10000000- 20000000 ) | Parts Kit, Maint, Afmkt 800 [T600/E]<br>(Intended for 900MM Scrub Head Size)               | 1    |
| ▲ | 1230171  | (10000000- 20000000 ) | Tray, Debris [T600]  | 1    |
| ▲ | 9017507  | (10000000- 20000000 ) | Hose Kit, Drain, Pvc, Ci [T600/T600e]  | 1    |
| ▲ | 9017505  | (10000000- 20000000 ) | Hose Kit, Recvy, Pvc, Ci [T600/T600e]  | 1    |
| ▲ | 609531   | (10000000- 20000000 ) | Float, Shutoff, Vacuum, 1- Ball, 1.50d   | 1    |
| ▲ | 1221115  | (10000000- 20000000 ) | Blade, Sqge, Rear, 1306l, Linatex[800mm]   | 1    |
| ▲ | 1232681  | (10000000- 20000000 ) | Blade, Sqge, Front, 1256l Linard[800mm]  | 1    |
| ▲ | 1211537  | (10000000- 20000000 ) | Filter, In- Line [80 Mesh, Fine, White]  | 1    |

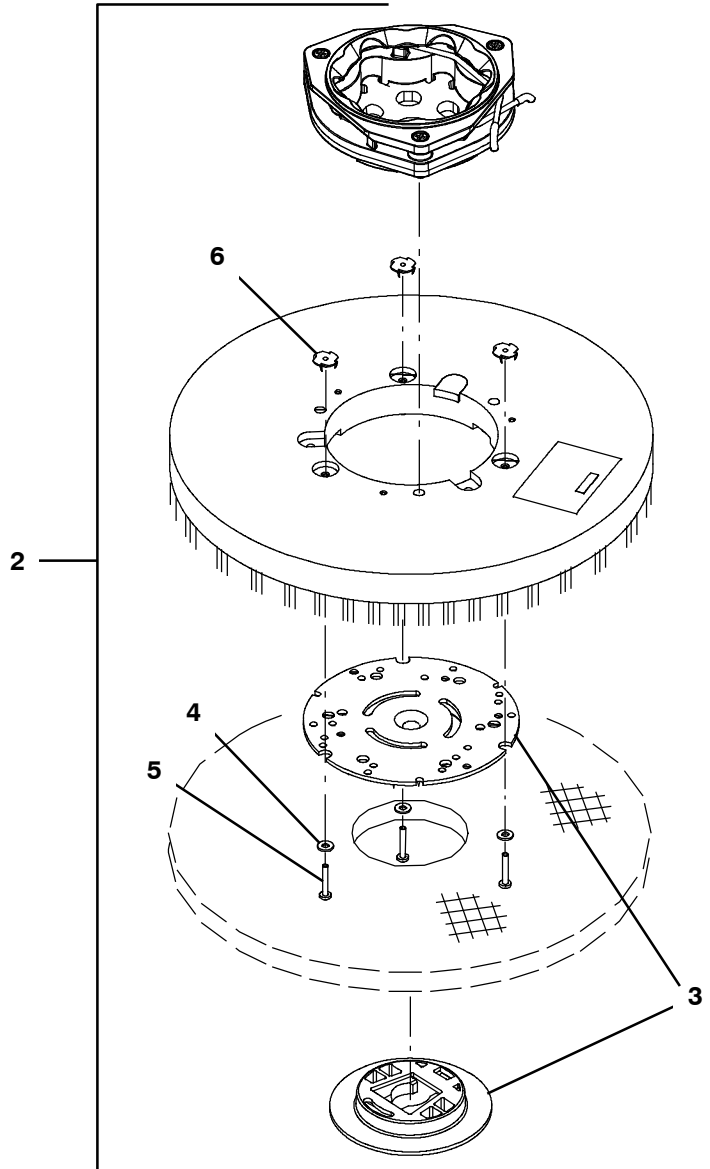
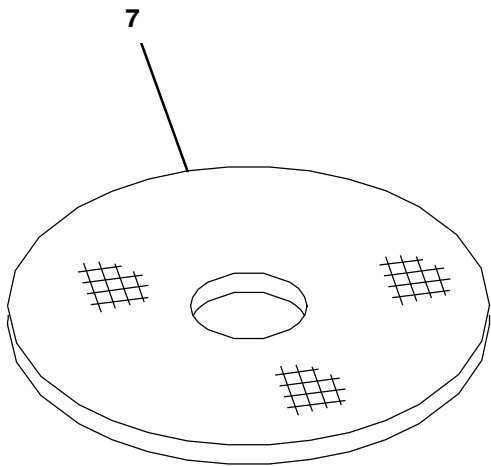
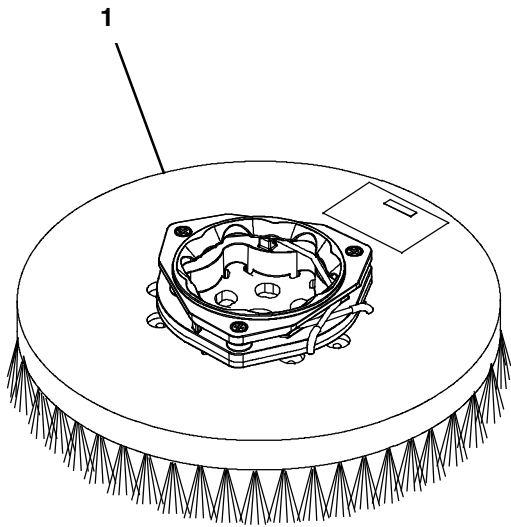
\* Requires Tennant *True* service or an authorized Tennant service provider.

▽ ASSEMBLY

▲ INCLUDED IN ASSEMBLY

REPLACEMENT BRUSHES AND PAD DRIVER DISK

355620



## REPLACEMENT BRUSHES AND PAD DRIVER DISK

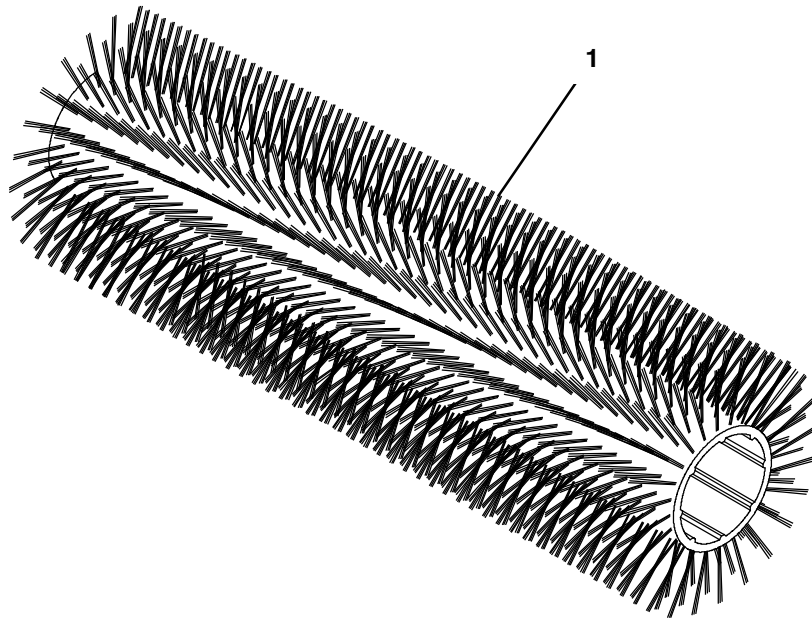
| Ref. | Part No. | Serial Number         | Description                          | Qty.                                     |   |
|------|----------|-----------------------|--------------------------------------|--|---|
| 1    | 1246592  | (10000000- 20000000 ) | Brush Assy, Disk, Scb, 14.0d, Pyp    | 2  |   |
| 1    | 1246591  | (10000000- 20000000 ) | Brush Assy, Disk, Scb, 14.0d, Nyl    | 2  |   |
| 1    | 1246593  | (10000000- 20000000 ) | Brush Assy, Disk, Scb, 14.0d, Sab    | 2  |   |
| 1    | 1246596  | (10000000- 20000000 ) | Brush Assy, Disk, Scb, 16.0d, Pyp    | 2  |   |
| 1    | 1246598  | (10000000- 20000000 ) | Brush Assy, Disk, Scb, 16.0d, Hd Pyp | 2  |   |
| 1    | 1246595  | (10000000- 20000000 ) | Brush Assy, Disk, Scb, 16.0d, Nyl    | 2  |   |
| 1    | 1246597  | (10000000- 20000000 ) | Brush Assy, Disk, Scb, 16.0d, Sab    | 2  |   |
| 1    | 1246601  | (10000000- 20000000 ) | Brush Assy, Disk, Scb, 18.0d, Pyp    | 2  |   |
| 1    | 1246600  | (10000000- 20000000 ) | Brush Assy, Disk, Scb, 18.0d, Nyl    | 2  |   |
| 1    | 1246602  | (10000000- 20000000 ) | Brush Assy, Disk, Scb, 18.0d, Sab    | 2  |   |
| ▽    | 2        | 1246590               | (10000000- 20000000 )                | Driver Assy, Pad, 14.0d, Brush           | 2 |
| ▽    | 2        | 1246594               | (10000000- 20000000 )                | Driver Assy, Pad, 16.0d, Brush           | 2 |
| ▽    | 2        | 1246599               | (10000000- 20000000 )                | Driver Assy, Pad, 18.0d, Brush           | 2 |
| ▲    | 3        | 370095                | (10000000- 20000000 )                | Device, Centering, Clip On, TI [Gf Pp]   | 1 |
| ▲    | 4        | 41579                 | (10000000- 20000000 )                | Washer, Flat, 08, Ss                     | 3 |
| ▲    | 5        | 04403                 | (10000000- 20000000 )                | Screw, Pan, Phl, M4 X 0.70 X 25, Nl, Ss  | 3 |
| ▲    | 6        | 10908                 | (10000000- 20000000 )                | Nut, T, M4 X 0.70                        | 3 |
|      | 7        | 1243657               | (10000000- 20000000 )                | Pad, Stripping, 14.0d Brown [1pick=1ctn] | 2 |
|      | 7        | 1243344               | (10000000- 20000000 )                | Pad, Scb, 14.0d, Blu [1pick=1ctn]        | 2 |
|      | 7        | 1243656               | (10000000- 20000000 )                | Pad, Buff, 14.0d Red [1pick=1ctn]        | 2 |
|      | 7        | 1243343               | (10000000- 20000000 )                | Pad, Polish, 14.0d, White [1pick=1ctn]   | 2 |
|      | 7        | 1243658               | (10000000- 20000000 )                | Pad, Strip, 14.0d Blk[Hi Prod1pick=1ctn] | 2 |
|      | 7        | 1243667               | (10000000- 20000000 )                | Pad, Surf Prep, 14.0d Maroon[1pick=1ctn] | 2 |
|      | 7        | 1240389               | (10000000- 20000000 )                | Pad, Polish, 14.0d, Yel [1pick=1ctn]     | 2 |
|      | 7        | 1243685               | (10000000- 20000000 )                | Pad, Stripping, 16.0d, Brn [1pick=1ctn]  | 2 |
|      | 7        | 1243354               | (10000000- 20000000 )                | Pad, Scb, 16.0d, Blu [1pick=1ctn]        | 2 |
|      | 7        | 1243355               | (10000000- 20000000 )                | Pad, Buff, 16.0d, Red [1pick=1ctn]       | 2 |
|      | 7        | 1243356               | (10000000- 20000000 )                | Pad, Polish, 16.0d, White [1pick=1ctn]   | 2 |
|      | 7        | 1243659               | (10000000- 20000000 )                | Pad, Strip, 16.0d Blk[Hi Prod1pick=1ctn] | 2 |
|      | 7        | 1243668               | (10000000- 20000000 )                | Pad, Surf Prep, 16.0d Maroon[1pick=1ctn] | 2 |
|      | 7        | 1240390               | (10000000- 20000000 )                | Pad, Polish, 16.0d, Yel [1pick=1ctn]     | 2 |
|      | 7        | 1243724               | (10000000- 20000000 )                | Pad, Stripping, 18.0d, Brn [1pick=1ctn]  | 2 |
|      | 7        | 1243335               | (10000000- 20000000 )                | Pad, Scb, 18.0d, Blu [1pick=1ctn]        | 2 |
|      | 7        | 1243336               | (10000000- 20000000 )                | Pad, Buff, 18.0d, Red [1pick=1ctn]       | 2 |
|      | 7        | 1243337               | (10000000- 20000000 )                | Pad, Polish, 18.0d, White [1pick=1ctn]   | 2 |
|      | 7        | 1243660               | (10000000- 20000000 )                | Pad, Strip, 18.0d Blk[Hi Prod1pick=1ctn] | 2 |
|      | 7        | 1240392               | (10000000- 20000000 )                | Pad, Polish, 18.0d, Yel [1pick=1ctn]     | 2 |

▽ ASSEMBLY

▲ INCLUDED IN ASSEMBLY

**REPLACEMENT BRUSHES CYLINDRICAL**

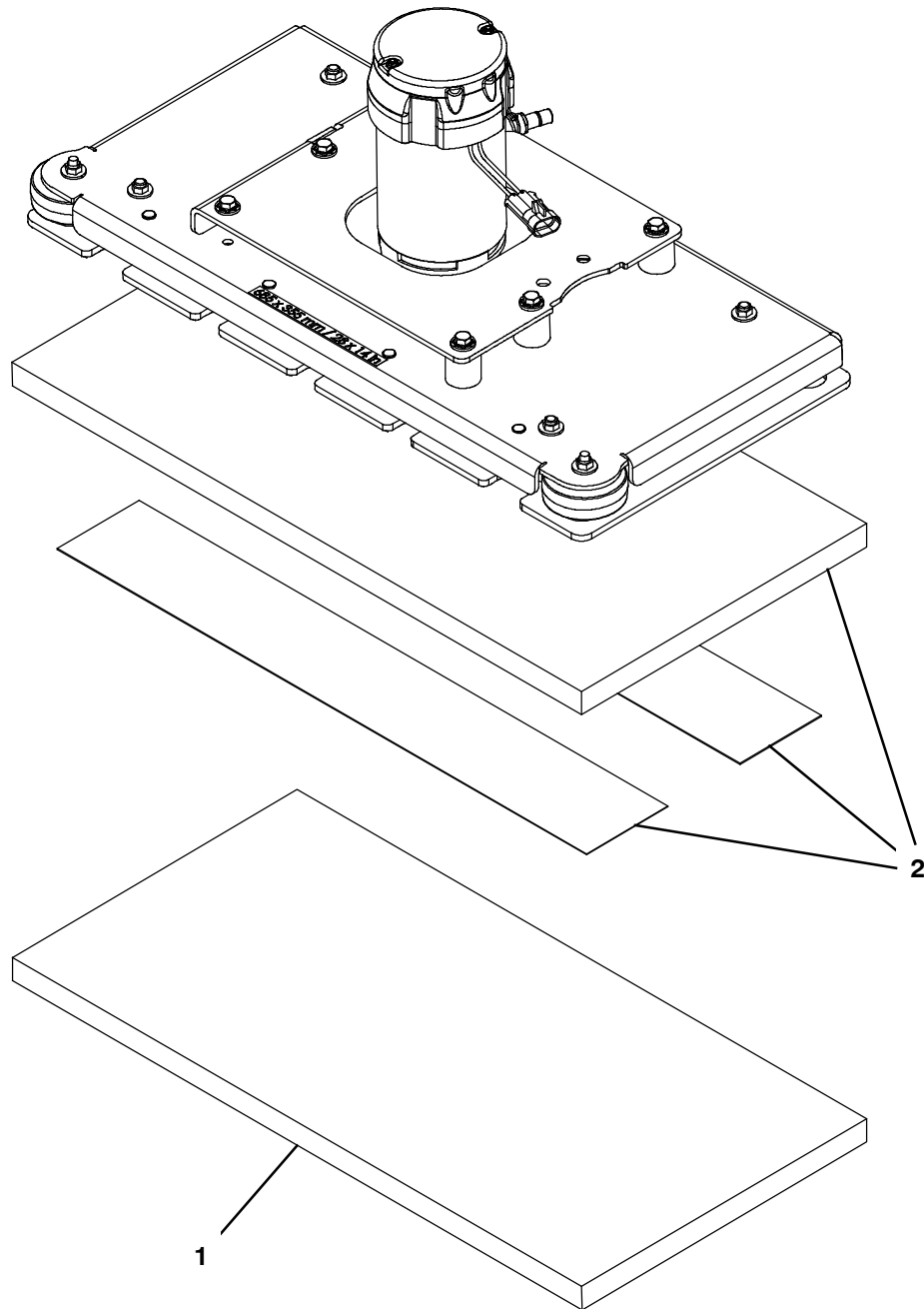
355427



| Ref. | Part No. | Serial Number        | Description                             | Qty. |
|------|----------|----------------------|---|------|
| 1    | 222304   | (10000000-20000000 ) | Brush, Scb, 28l, 18sr, Pyp, Spl         | 2    |
| 1    | 374041   | (10000000-20000000 ) | Brush, Scb, 28l, 18sr, Hd Pyp, Spl      | 2    |
| 1    | 222305   | (10000000-20000000 ) | Brush, Scb, 28l, 18sr, Nyl, Spl         | 2    |
| 1    | 222306   | (10000000-20000000 ) | Brush, Scb, 28l, 18sr, Abr, Spl         | 2    |
| 1    | 222307   | (10000000-20000000 ) | Brush, Scb, 32l, 18sr, Pyp, Spl [Grout] | 2    |
| 1    | 374042   | (10000000-20000000 ) | Brush, Scb, 32l, 18sr, Hd Pyp, Spl      | 2    |
| 1    | 222308   | (10000000-20000000 ) | Brush, Scb, 32l, 18sr, Nyl, Spl         | 2    |
| 1    | 222309   | (10000000-20000000 ) | Brush, Scb, 32l, 18sr, Abr, Spl         | 2    |

REPLACEMENT PADS ORBITAL

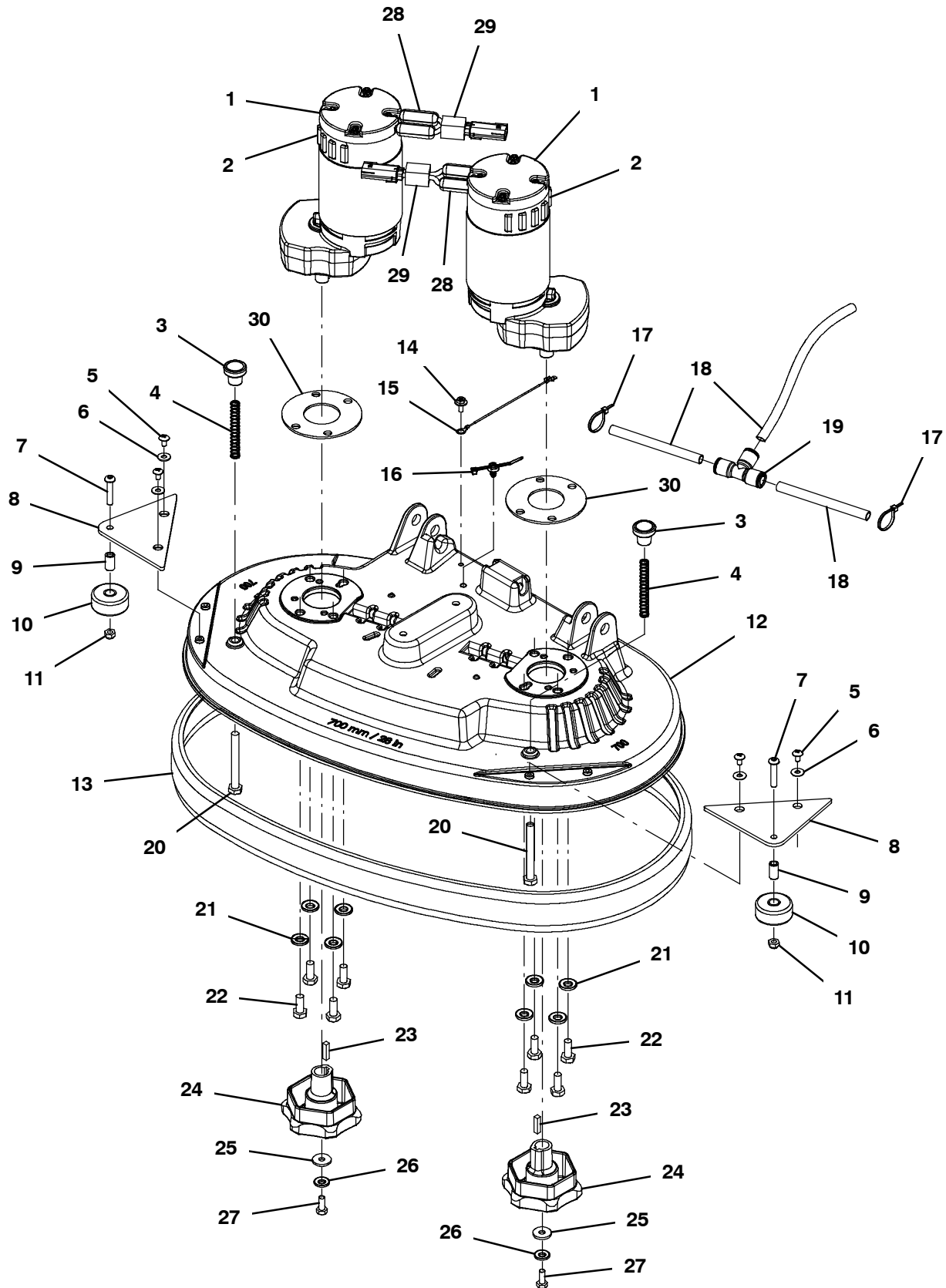
355478



| Ref. | Part No. | Serial Number         | Description                                      | Qty. |
|------|----------|-----------------------|--|------|
|      | 1223247  | (10000000- 20000000 ) | Pad, Scb, 28 X 14, Blu [1pc=1pad]                | 1    |
|      | 1244690  | (10000000- 20000000 ) | Pad, Buff, 28 X 14, Red [1pick=1ctn]             | 1    |
|      | 1223246  | (10000000- 20000000 ) | Pad, Polish, 28 X 14, White [1pc=1pad]           | 1    |
|      | 1223248  | (10000000- 20000000 ) | Pad, Surf Prep, 28 X 14, Mar [1pc=1pad]          | 1    |
|      | 1223250  | (10000000- 20000000 ) | Pad, Scb, 28 X 14, Green [1pick=1ctn]            | 1    |
|      | 1075563  | (10000000- 20000000 ) | Pad, Stripping, 28 X 14, Blk [1pick=1ctn]        | 1    |
|      | 1240343  | (10000000- 20000000 ) | Pad, Polish, 28 X 14, Yel [1pick=1ctn]           | 1    |
|      | 1228002  | (10000000- 20000000 ) | Pad, Melamine, 14" X 28" [Case Of 5]             | 1    |
|      | 1221839  | (10000000- 20000000 ) | Pad, Backer, 28 X 14 (Includes Velcro Fasteners) | 1    |

SCRUB HEAD GROUP, DISK 700MM / 28IN

355622



## SCRUB HEAD GROUP, DISK 700MM / 28IN

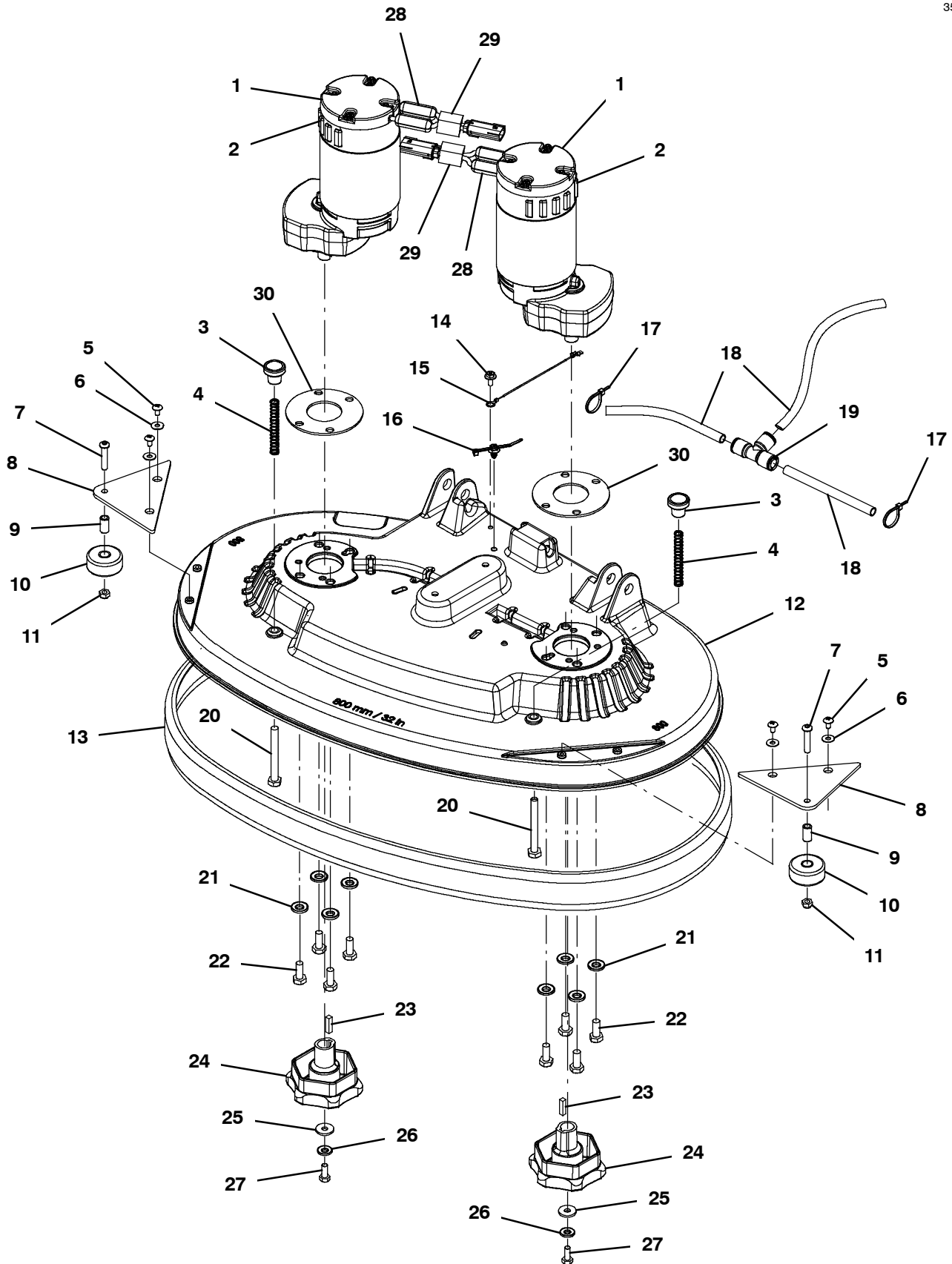
| Ref. | Part No. | Serial Number | Description  | Qty. |
|------|----------|---------------|--|------|
| ▽    | 1        | 1063103       | (10000000- 20000000 ) Motor, Ele, 36vdc 200rpm .75hp Gear (T600e Models)<br>(Also Requires Ferrites) | 2    |
| ▲    | 2        | 1066573       | (10000000- 20000000 ) Vr, Brush Kit, Motor 1 Pick = 4 Pcs  | 1    |
| ▽    | 1        | 1063463       | (10000000- 20000000 ) Motor, Ele, 36vdc 300rpm 1.0hp Gear (T600 Models)<br>(Also Requires Ferrites)  | 2    |
| ▲    | 2        | 1066573       | (10000000- 20000000 ) Vr, Brush Kit, Motor 1 Pick = 4 Pcs  | 1    |
|      | 3        | 1222988       | (10000000- 20000000 ) Knob, Rnd, 31.0d 27.0l M10, Plstc  | 2    |
|      | 4        | 626081        | (10000000- 20000000 ) Spring, Cmpr, 0.48od .04wir 03.5l  | 2    |
|      | 5        | 1227865       | (10000000- 20000000 ) Screw, Trs, M6 X 1.0 X 12, Phl, Ss, NI   | 4    |
|      | 6        | 01684         | (10000000- 20000000 ) Washer, Flat, 0.27b 0.69d .05, Ss  | 4    |
|      | 7        | 397826        | (10000000- 20000000 ) Screw, Btn, M8 X 1.25 X 40, Ss   | 2    |
|      | 8        | 1227709       | (10000000- 20000000 ) Bracket, Roller, Wall  | 2    |
|      | 9        | 222496        | (10000000- 20000000 ) Sleeve, P/M, 0.32b 0.50d 0.9l [430ss]  | 2    |
|      | 10       | 222403        | (10000000- 20000000 ) Wheel, 02.0d 0.88w 0.50b   | 2    |
|      | 11       | 08713         | (10000000- 20000000 ) Nut, Hex, Lock, M8 X 1.25, NI, Ss  | 2    |
|      | 12       | 9016846       | (10000000- 20000000 ) Housing, Disc, 70cm, Afmkt [T600, Na,Ce] (With Label)                          | 1    |
|      | 13       | 1232325       | (10000000- 20000000 ) Bumper, Head, 70cm, Skirt, Im  | 1    |
|      | 14       | 1034731       | (10000000- 20000000 ) Screw, Hex, M6 X 1.00 X 16, Sems, Ss   | 1    |
|      | 15       | 1074344       | (10000000- 20000000 ) Harness, Ele [Ring With .250m Tail]  | 1    |
|      | 16       | 1210807       | (10000000- 20000000 ) Wire, Tie [W/.25" Fir Tree Clip]   | 1    |
|      | 17       | 130773        | (10000000- 20000000 ) Tie, Cable, Nyl, 11.0l, .14w, 3.0 Max. D                                       | 2    |
|      | 18       | 9014145       | (10000000- 20000000 ) Hose, Afmkt, Pe, .375id .50od, 05ft  | 1    |
|      | 19       | 1212858       | (10000000- 20000000 ) Fitting, Plstc, Tee, Qf08/Qf08/Qf08  | 1    |
|      | 20       | 09746         | (10000000- 20000000 ) Screw, Hex, M10 X 1.50 X 90, Ss  | 2    |
|      | 21       | 41187         | (10000000- 20000000 ) Washer, Flat, Belleville, .38  | 8    |
|      | 22       | 09028         | (10000000- 20000000 ) Screw, Hex, M10 X 1.50 X 25, Ss  | 8    |
|      | 23       | 00928         | (10000000- 20000000 ) Key, Sq, 0.25 X 0.25, 1.00l  | 2    |
|      | 24       | 1240229       | (10000000- 20000000 ) Hub, Drive, Brush, Disk  | 2    |
|      | 25       | 1017218       | (10000000- 20000000 ) Washer, Flat, 0.32b 1.00d .12, Ss  | 2    |
|      | 26       | 41186         | (10000000- 20000000 ) Washer, Flat, Belleville, .31  | 2    |
|      | 27       | 12273         | (10000000- 20000000 ) Screw, Hex, M8 X 1.25 X 20, NI, Ss   | 2    |
|      | 28       | 1227867       | (10000000- 20000000 ) Inductor, Ferrite [Split Case,407@100hz]                                       | 4    |
|      | 29       | 1065665       | (10000000- 20000000 ) Inductor, 32.3mml [Ferrite 10- 250mhz]   | 2    |
|      | 30       | 1238822       | (10000000- 20000000 ) Spacer, Rbr, Motor   | 2    |

▽ ASSEMBLY

▲ INCLUDED IN ASSEMBLY

SCRUB HEAD GROUP, DISK 800MM / 32IN

355623





## SCRUB HEAD GROUP, DISK 800MM / 32IN

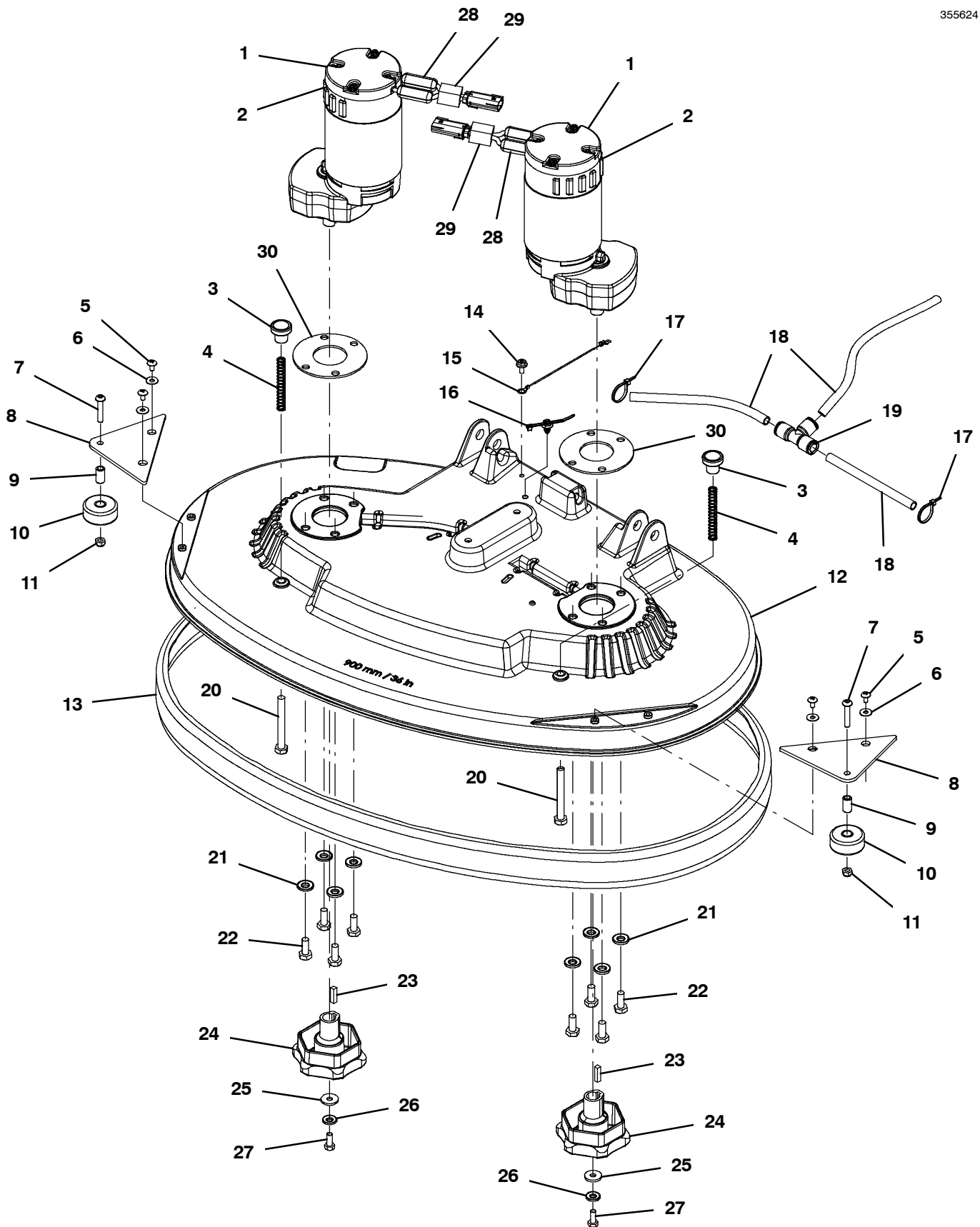
| Ref. | Part No. | Serial Number | Description  | Qty. |
|------|----------|---------------|--|------|
| ▽    | 1        | 1063103       | (10000000- 20000000 ) Motor, Ele, 36vdc 200rpm .75hp Gear<br>(T600e / T600e Heavy Duty Down Pressure Models)<br>(Also Requires Ferrites) | 2    |
| ▲    | 2        | 1066573       | (10000000- 20000000 ) Vr, Brush Kit, Motor 1 Pick = 4 Pcs  | 1    |
| ▽    | 1        | 1063463       | (10000000- 20000000 ) Motor, Ele, 36vdc 300rpm 1.0hp Gear<br>(T600 / T600 Heavy Duty Down Pressure Models)<br>(Also Requires Ferrites)   | 2    |
| ▲    | 2        | 1066573       | (10000000- 20000000 ) Vr, Brush Kit, Motor 1 Pick = 4 Pcs  | 1    |
|      | 3        | 1222988       | (10000000- 20000000 ) Knob, Rnd, 31.0d 27.0l M10, Plstc  | 2    |
|      | 4        | 626081        | (10000000- 20000000 ) Spring, Cmpr, 0.48od .04wir 03.5l  | 2    |
|      | 5        | 1227865       | (10000000- 20000000 ) Screw, Trs, M6 X 1.0 X 12, Phl, Ss, NI   | 4    |
|      | 6        | 01684         | (10000000- 20000000 ) Washer, Flat, 0.27b 0.69d .05, Ss  | 4    |
|      | 7        | 397826        | (10000000- 20000000 ) Screw, Btn, M8 X 1.25 X 40, Ss   | 2    |
|      | 8        | 1227709       | (10000000- 20000000 ) Bracket, Roller, Wall  | 2    |
|      | 9        | 222496        | (10000000- 20000000 ) Sleeve, P/M, 0.32b 0.50d 0.9l [430ss]  | 2    |
|      | 10       | 222403        | (10000000- 20000000 ) Wheel, 02.0d 0.88w 0.50b   | 2    |
|      | 11       | 08713         | (10000000- 20000000 ) Nut, Hex, Lock, M8 X 1.25, NI, Ss  | 2    |
|      | 12       | 9016847       | (10000000- 20000000 ) Housing, Disc, 80cm, Afrmkt [T600, Na,Ce] (With Label)   | 1    |
|      | 13       | 1232326       | (10000000- 20000000 ) Bumper, Head, 80cm, Skirt, Im  | 1    |
|      | 14       | 1034731       | (10000000- 20000000 ) Screw, Hex, M6 X 1.00 X 16, Sems, Ss   | 1    |
|      | 15       | 1074344       | (10000000- 20000000 ) Harness, Ele [Ring With .250m Tail]  | 1    |
|      | 16       | 1210807       | (10000000- 20000000 ) Wire, Tie [W/.25" Fir Tree Clip]   | 1    |
|      | 17       | 130773        | (10000000- 20000000 ) Tie, Cable, Nyl, 11.0l, .14w, 3.0 Max. D   | 2    |
|      | 18       | 9014145       | (10000000- 20000000 ) Hose, Afrmkt, Pe, .375id .50od, 05ft   | 1    |
|      | 19       | 1212858       | (10000000- 20000000 ) Fitting, Plstc, Tee, Qf08/Qf08/Qf08  | 1    |
|      | 20       | 09746         | (10000000- 20000000 ) Screw, Hex, M10 X 1.50 X 90, Ss  | 2    |
|      | 21       | 41187         | (10000000- 20000000 ) Washer, Flat, Belleville, .38  | 8    |
|      | 22       | 09028         | (10000000- 20000000 ) Screw, Hex, M10 X 1.50 X 25, Ss  | 8    |
|      | 23       | 00928         | (10000000- 20000000 ) Key, Sq, 0.25 X 0.25, 1.00l  | 2    |
|      | 24       | 1240229       | (10000000- 20000000 ) Hub, Drive, Brush, Disk  | 2    |
|      | 25       | 1017218       | (10000000- 20000000 ) Washer, Flat, 0.32b 1.00d .12, Ss  | 2    |
|      | 26       | 41186         | (10000000- 20000000 ) Washer, Flat, Belleville, .31  | 2    |
|      | 27       | 12273         | (10000000- 20000000 ) Screw, Hex, M8 X 1.25 X 20, NI, Ss   | 2    |
|      | 28       | 1227867       | (10000000- 20000000 ) Inductor, Ferrite [Split Case,407@100hz]   | 4    |
|      | 29       | 1065665       | (10000000- 20000000 ) Inductor, 32.3mml [Ferrite 10- 250mhz]   | 2    |
|      | 30       | 1238822       | (10000000- 20000000 ) Spacer, Rbr, Motor   | 2    |

▽ ASSEMBLY

▲ INCLUDED IN ASSEMBLY

SCRUB HEAD GROUP, DISK 900MM / 36IN

355624



## SCRUB HEAD GROUP, DISK 900MM / 36IN

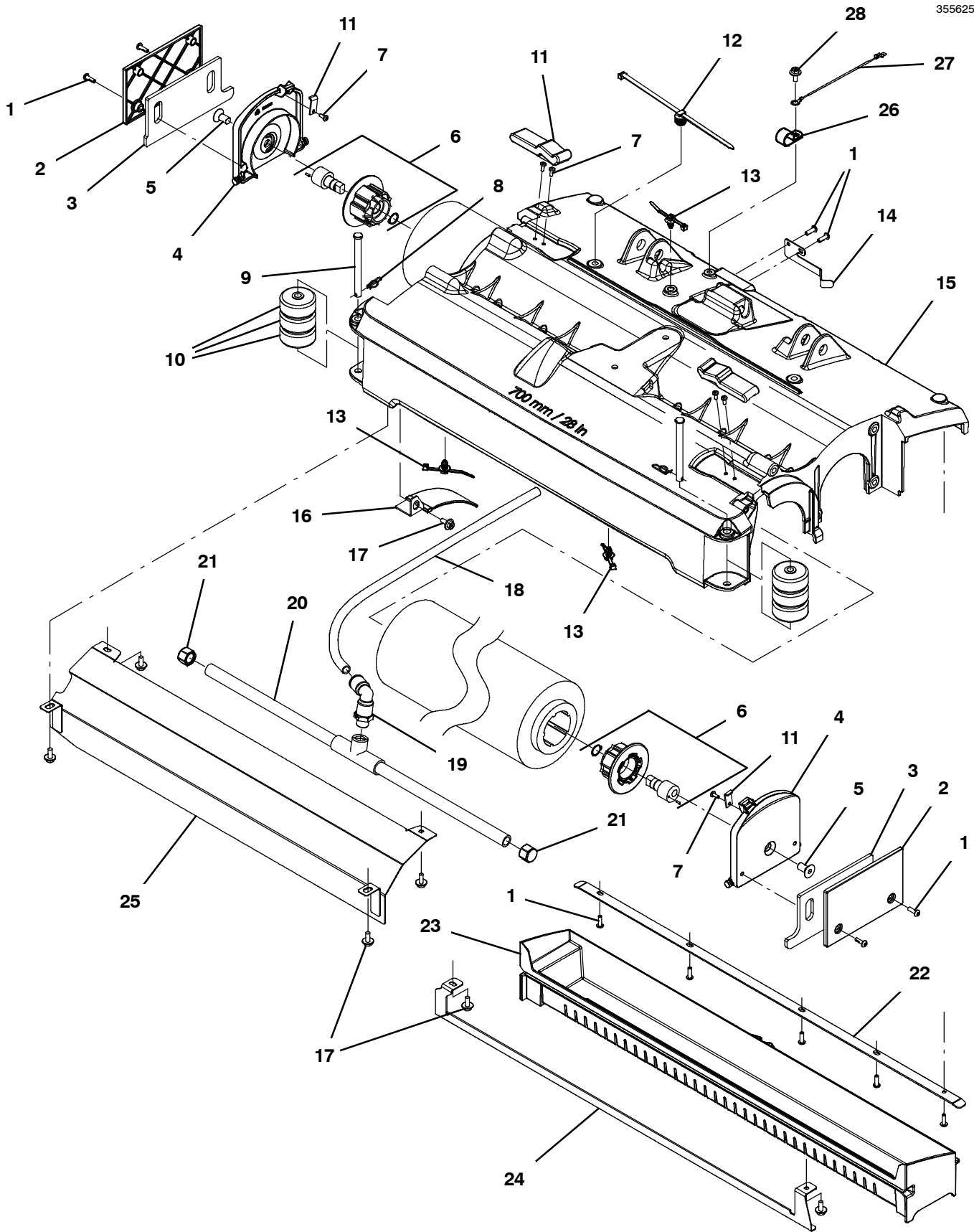
| Ref. | Part No. | Serial Number | Description  | Qty. |
|------|----------|---------------|--|------|
| ▽    | 1        | 1063103       | (10000000- 20000000 ) Motor, Ele, 36vdc 200rpm .75hp Gear (T600e Models)<br>(Also Requires Ferrites) | 2    |
| ▲    | 2        | 1066573       | (10000000- 20000000 ) Vr, Brush Kit, Motor 1 Pick = 4 Pcs  | 1    |
| ▽    | 1        | 1063463       | (10000000- 20000000 ) Motor, Ele, 36vdc 300rpm 1.0hp Gear (T600 Models)<br>(Also Requires Ferrites)  | 2    |
| ▲    | 2        | 1066573       | (10000000- 20000000 ) Vr, Brush Kit, Motor 1 Pick = 4 Pcs  | 1    |
|      | 3        | 1222988       | (10000000- 20000000 ) Knob, Rnd, 31.0d 27.0l M10, Plstc  | 2    |
|      | 4        | 626081        | (10000000- 20000000 ) Spring, Cmpr, 0.48od .04wir 03.5l  | 2    |
|      | 5        | 1227865       | (10000000- 20000000 ) Screw, Trs, M6 X 1.0 X 12, Phl, Ss, NI   | 4    |
|      | 6        | 01684         | (10000000- 20000000 ) Washer, Flat, 0.27b 0.69d .05, Ss  | 4    |
|      | 7        | 397826        | (10000000- 20000000 ) Screw, Btn, M8 X 1.25 X 40, Ss   | 2    |
|      | 8        | 1227709       | (10000000- 20000000 ) Bracket, Roller, Wall  | 2    |
|      | 9        | 222496        | (10000000- 20000000 ) Sleeve, P/M, 0.32b 0.50d 0.9l [430ss]  | 2    |
|      | 10       | 222403        | (10000000- 20000000 ) Wheel, 02.0d 0.88w 0.50b   | 2    |
|      | 11       | 08713         | (10000000- 20000000 ) Nut, Hex, Lock, M8 X 1.25, NI, Ss  | 2    |
|      | 12       | 9016848       | (10000000- 20000000 ) Housing, Disc, 90cm, Afmkt [T600, Na,Ce] (With Label)                          | 1    |
|      | 13       | 1226723       | (10000000- 20000000 ) Bumper, Head, 90cm, Skirt, Im  | 1    |
|      | 14       | 1034731       | (10000000- 20000000 ) Screw, Hex, M6 X 1.00 X 16, Sems, Ss   | 1    |
|      | 15       | 1074344       | (10000000- 20000000 ) Harness, Ele [Ring With .250m Tail]  | 1    |
|      | 16       | 1210807       | (10000000- 20000000 ) Wire, Tie [W/.25" Fir Tree Clip]   | 1    |
|      | 17       | 130773        | (10000000- 20000000 ) Tie, Cable, Nyl, 11.0l, .14w, 3.0 Max. D                                       | 2    |
|      | 18       | 9014145       | (10000000- 20000000 ) Hose, Afmkt, Pe, .375id .50od, 05ft  | 1    |
|      | 19       | 1212858       | (10000000- 20000000 ) Fitting, Plstc, Tee, Qf08/Qf08/Qf08  | 1    |
|      | 20       | 09746         | (10000000- 20000000 ) Screw, Hex, M10 X 1.50 X 90, Ss  | 2    |
|      | 21       | 41187         | (10000000- 20000000 ) Washer, Flat, Belleville, .38  | 8    |
|      | 22       | 09028         | (10000000- 20000000 ) Screw, Hex, M10 X 1.50 X 25, Ss  | 8    |
|      | 23       | 00928         | (10000000- 20000000 ) Key, Sq, 0.25 X 0.25, 1.00l  | 2    |
|      | 24       | 1240229       | (10000000- 20000000 ) Hub, Drive, Brush, Disk  | 2    |
|      | 25       | 1017218       | (10000000- 20000000 ) Washer, Flat, 0.32b 1.00d .12, Ss  | 2    |
|      | 26       | 41186         | (10000000- 20000000 ) Washer, Flat, Belleville, .31  | 2    |
|      | 27       | 12273         | (10000000- 20000000 ) Screw, Hex, M8 X 1.25 X 20, NI, Ss   | 2    |
|      | 28       | 1227867       | (10000000- 20000000 ) Inductor, Ferrite [Split Case,407@100hz]                                       | 4    |
|      | 29       | 1065665       | (10000000- 20000000 ) Inductor, 32.3mml [Ferrite 10- 250mhz]   | 2    |
|      | 30       | 1238822       | (10000000- 20000000 ) Spacer, Rbr, Motor   | 2    |

▽ ASSEMBLY

▲ INCLUDED IN ASSEMBLY

SCRUB HEAD GROUP, CYLINDRICAL 700MM / 28IN

355625



SCRUB HEAD GROUP, CYLINDRICAL 700MM / 28IN

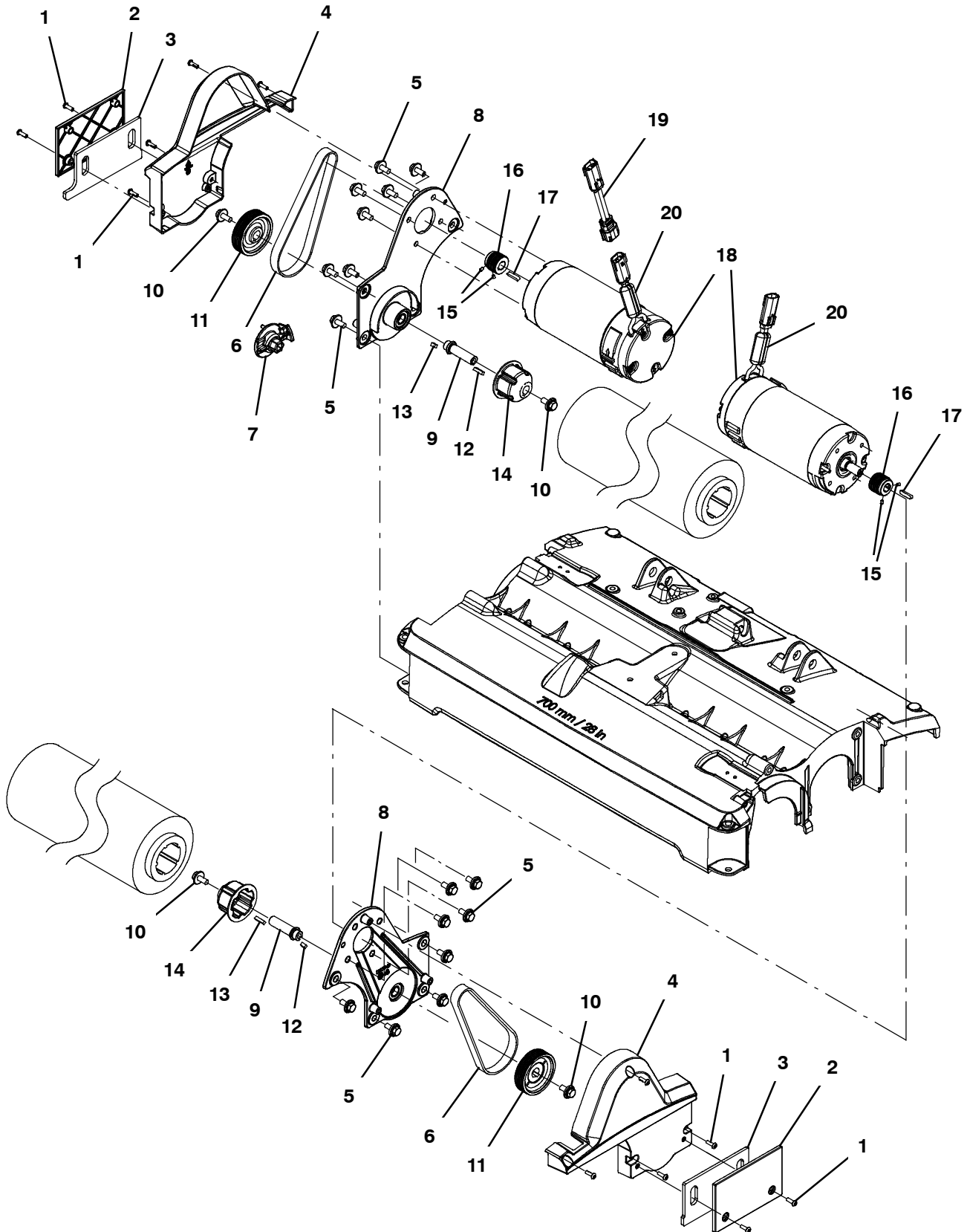
| Ref. | Part No. | Serial Number | Description  | Qty. |
|------|----------|---------------|--|------|
|      | 1        | 1205799       | (10000000- 20000000 ) Screw, Btn, M5 X 0.8 X 16, 8.8, NI, Torx   | 11   |
|      | 2        | 1218032       | (10000000- 20000000 ) Cover, Skirt, 2cyl [T500]  | 2    |
|      | 3        | 1218573       | (10000000- 20000000 ) Skirt, Side, Scrb, Cyl [T500]  | 2    |
| ▽    | 4        | 9017656       | (10000000- 20000000 ) Door Assy, Idler, Cylrcl   | 2    |
| ▲    | 5        | 390996        | (10000000- 20000000 ) Screw, Flt, Soc, M10 X 1.50 X 20,10.9,NI   | 1    |
| ▲    | 6        | 222752        | (10000000- 20000000 ) Plug Assy, Idler, Brush (Includes Idler Plug, Shaft, Retaining Ring & Roll Pin - Not Available Separately) | 1    |
|      | 7        | 49697         | (10000000- 20000000 ) Screw, Pan, Phl, M4 X 0.70 X 10, Ss  | 6    |
|      | 8        | 1216647       | (10000000- 20000000 ) Pin, Cotter, Hair, 0.38d .054 Wir  | 2    |
|      | 9        | 49914         | (10000000- 20000000 ) Pin, Clevis, 0.37d X 4.00l   | 2    |
|      | 10       | 630477        | (10000000- 20000000 ) Wheel, Pyu, 02.0d 0.38w, Gray  | 6    |
|      | 11       | 1207285       | (10000000- 20000000 ) Latch, Draw, Rbr, W/ Keeper, Yellow  | 2    |
|      | 12       | 1221161       | (10000000- 20000000 ) Tie, Cable, Nyl, Push Mount, 76mm Max D  | 1    |
|      | 13       | 1210807       | (10000000- 20000000 ) Wire, Tie [W/.25" Fir Tree Clip]   | 3    |
|      | 14       | 1218242       | (10000000- 20000000 ) Bracket, Spring, Tray, Debris [T500]   | 1    |
|      | 15       | 9016854       | (10000000- 20000000 ) Housing, Cyl, 70cm, Afmkt [T600, Na,Ce] (With Label)   | 1    |
|      | 16       | 1029358       | (10000000- 20000000 ) Deflector, Water, Cyl Head   | 1    |
|      | 17       | 1034731       | (10000000- 20000000 ) Screw, Hex, M6 X 1.00 X 16, Sems, Ss   | 7    |
|      | 18       | 9014145       | (10000000- 20000000 ) Hose, Afmkt, Pe, .375id .50od, 05ft  | 1    |
|      | 19       | 1212987       | (10000000- 20000000 ) Fitting, Plstc, E90, Qf08/Pm06, Swivel   | 1    |
|      | 20       | 1046049       | (10000000- 20000000 ) Tube Assy, Bar, Spray, 70cm [T5, 5680]   | 1    |
|      | 21       | 1025580       | (10000000- 20000000 ) Fitting, Pipe, Cap, P06, Nyl   | 2    |
|      | 22       | 1218153       | (10000000- 20000000 ) Bracket, Tray, Debris [T500]   | 1    |
|      | 23       | 1218144       | (10000000- 20000000 ) Tray, Debris, 700mm [lm] [Rhine]   | 1    |
|      | 24       | 1218577       | (10000000- 20000000 ) Bracket, Slide, Tray, Debris   | 1    |
|      | 25       | 1219969       | (10000000- 20000000 ) Panel Wldt, Wrap, Brush [T500]   | 1    |
|      | 26       | 33584         | (10000000- 20000000 ) Clamp, Cable, Stl, 0.63d X 0.50w, 1hole  | 1    |
|      | 27       | 1074344       | (10000000- 20000000 ) Harness, Ele [Ring With .250m Tail]  | 1    |
|      | 28       | 1034731       | (10000000- 20000000 ) Screw, Hex, M6 X 1.00 X 16, Sems, Ss   | 1    |

▽ ASSEMBLY

▲ INCLUDED IN ASSEMBLY

SCRUB HEAD GROUP, CYLINDRICAL 700MM / 28IN - CONT'D

355637



## SCRUB HEAD GROUP, CYLINDRICAL 700MM / 28IN - CONT'D

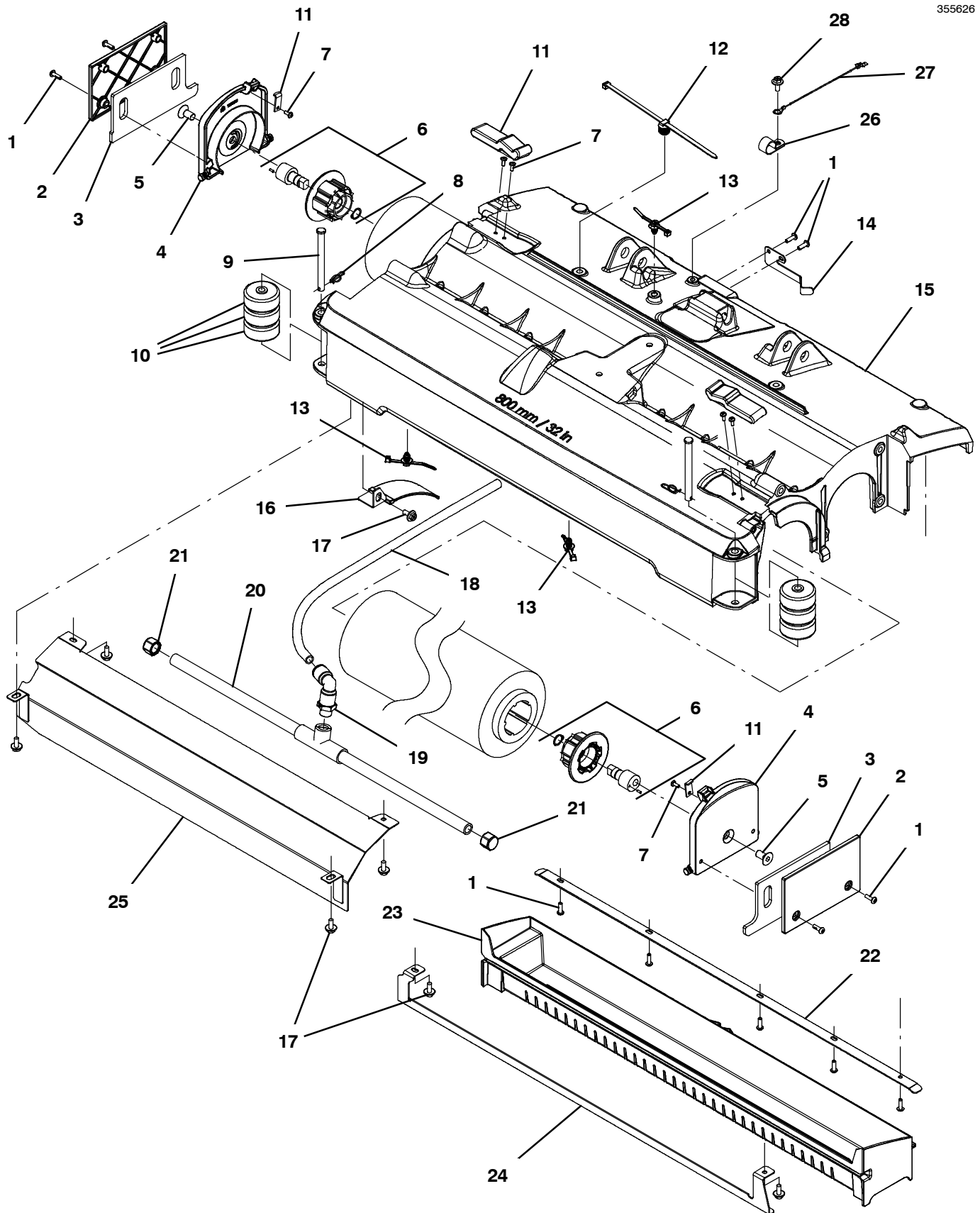
| Ref. | Part No. | Serial Number       | Description                              | Qty.   |   |
|------|----------|---------------------|--|--|---|
| 1    | 1205799  | (10000000-20000000) | Screw, Btn, M5 X 0.8 X 16, 8.8, NI, Torx | 12   |   |
| 2    | 1218032  | (10000000-20000000) | Cover, Skirt, 2cyl [T500]                | 2  |   |
| 3    | 1218573  | (10000000-20000000) | Skirt, Side, Scrub, Cyl [T500]           | 2  |   |
| 4    | 1218012  | (10000000-20000000) | Cover, Belt, 2 Cyl [T500]                | 2  |   |
| 5    | 1020341  | (10000000-20000000) | Screw, Hex, M8 X 1.25 X 20, Ss, Sems     | 16   |   |
| ▽    | 6        | 9016885             | (10000000-20000000)                      | Belt Kit, Motor, Afmkt (Includes Qty 2 Belts & Install Tool)                                     | 1 |
| ▲    |          | 1231688             | (10000000-20000000)                      | Belt, 7 Rib, 19.5l   | 1 |
| ▲    | 7        | 1234733             | (10000000-20000000)                      | Tool, Installation, Belt   | 1 |
| ▽    | 8        | 9016863             | (10000000-20000000)                      | Bracket, Assy, Motor, Afmkt [T600] (Also Includes Bearing And Spacer - Not Available Separately) | 2 |
| ▲    | 9        | 1233393             | (10000000-20000000)                      | Shaft, Drive   | 1 |
| ▲    | 10       | 1020341             | (10000000-20000000)                      | Screw, Hex, M8 X 1.25 X 20, Ss, Sems   | 2 |
| ▲    | 11       | 1231277             | (10000000-20000000)                      | Sheave, 07grv, 2.89pd 0.63b  | 1 |
| ▲    | 12       | 1233950             | (10000000-20000000)                      | Key, Sq, 5mm X 5mm X 9mm   | 1 |
| ▲    | 13       | 00911               | (10000000-20000000)                      | Key, Sq, 0.19 X 0.19, 0.75l  | 1 |
| ▲    | 14       | 378805              | (10000000-20000000)                      | Plug, Drive, Brush, Mach   | 1 |
| ▲    | 15       | 222818              | (10000000-20000000)                      | Screw, Set, Soc, 08- 32 X 0.25, NI   | 2 |
| ▲    | 16       | 1236053             | (10000000-20000000)                      | Sheave, 07Grv, 1.22Pd 0.55B [Pj]   | 1 |
|      | 17       | 1014328             | (10000000-20000000)                      | Key, Sq, 05mm X 05mm, 25mml  | 2 |
| ▽    | 18       | 1230332             | (10000000-20000000)                      | Motor, Ele, 36vdc 1800rpm 0.9hp (Also Requires Ferrites)   | 2 |
| ▲    |          | 9011916             | (10000000-20000000)                      | Vr, Brush Kit, Motor   | 1 |
|      | 19       | 1075585             | (10000000-20000000)                      | Harness, Ele [Motor Rev., Molex Mx150l]  | 1 |
|      | 20       | 1227867             | (10000000-20000000)                      | Inductor, Ferrite [Split Case,407@100hz]   | 4 |

▽ ASSEMBLY

▲ INCLUDED IN ASSEMBLY

SCRUB HEAD GROUP, CYLINDRICAL 800MM / 32IN

355626





SCRUB HEAD GROUP, CYLINDRICAL 800MM / 32IN

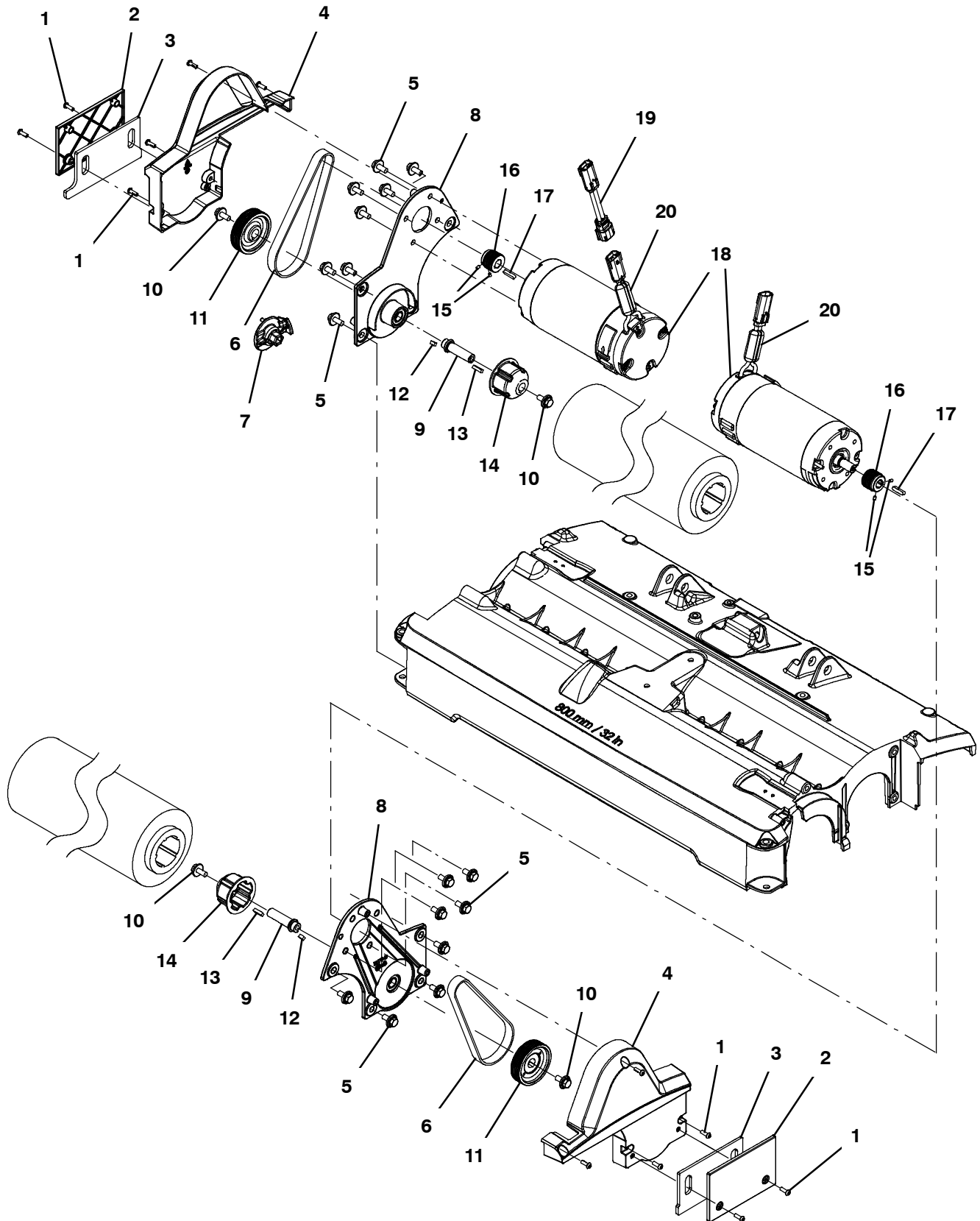
| Ref. | Part No. | Serial Number | Description  | Qty. |
|------|----------|---------------|--|------|
|      | 1        | 1205799       | (10000000- 20000000 ) Screw, Btn, M5 X 0.8 X 16, 8.8, NI, Torx   | 11   |
|      | 2        | 1218032       | (10000000- 20000000 ) Cover, Skirt, 2cyl [T500]  | 2    |
|      | 3        | 1218573       | (10000000- 20000000 ) Skirt, Side, Scrb, Cyl [T500]  | 2    |
| ▽    | 4        | 9017656       | (10000000- 20000000 ) Door Assy, Idler, Cylrcl   | 2    |
| ▲    | 5        | 390996        | (10000000- 20000000 ) Screw, Flt, Soc, M10 X 1.50 X 20,10.9,NI   | 1    |
| ▲    | 6        | 222752        | (10000000- 20000000 ) Plug Assy, Idler, Brush (Includes Idler Plug, Shaft, Retaining Ring & Roll Pin - Not Available Separately) | 1    |
|      | 7        | 49697         | (10000000- 20000000 ) Screw, Pan, Phl, M4 X 0.70 X 10, Ss  | 6    |
|      | 8        | 1216647       | (10000000- 20000000 ) Pin, Cotter, Hair, 0.38d .054 Wir  | 2    |
|      | 9        | 49914         | (10000000- 20000000 ) Pin, Clevis, 0.37d X 4.00l   | 2    |
|      | 10       | 630477        | (10000000- 20000000 ) Wheel, Pyu, 02.0d 0.38w, Gray  | 6    |
|      | 11       | 1207285       | (10000000- 20000000 ) Latch, Draw, Rbr, W/ Keeper, Yellow  | 2    |
|      | 12       | 1221161       | (10000000- 20000000 ) Tie, Cable, Nyl, Push Mount, 76mm Max D  | 1    |
|      | 13       | 1210807       | (10000000- 20000000 ) Wire, Tie [W/.25" Fir Tree Clip]   | 3    |
|      | 14       | 1218242       | (10000000- 20000000 ) Bracket, Spring, Tray, Debris [T500]   | 1    |
|      | 15       | 9016855       | (10000000- 20000000 ) Housing, Cyl, 80cm, Afmkt [T600, Na,Ce] (With Label)   | 1    |
|      | 16       | 1029358       | (10000000- 20000000 ) Deflector, Water, Cyl Head   | 1    |
|      | 17       | 1034731       | (10000000- 20000000 ) Screw, Hex, M6 X 1.00 X 16, Sems, Ss   | 7    |
|      | 18       | 9014145       | (10000000- 20000000 ) Hose, Afmkt, Pe, .375id .50od, 05ft  | 1    |
|      | 19       | 1212987       | (10000000- 20000000 ) Fitting, Plstc, E90, Qf08/Pm06, Swivel   | 1    |
|      | 20       | 1046049       | (10000000- 20000000 ) Tube Assy, Bar, Spray, 70cm [T5, 5680]   | 1    |
|      | 21       | 1025580       | (10000000- 20000000 ) Fitting, Pipe, Cap, P06, Nyl   | 2    |
|      | 22       | 1230278       | (10000000- 20000000 ) Bracket, Tray, Debris  | 1    |
|      | 23       | 1226867       | (10000000- 20000000 ) Tray, Debris, 800mm  | 1    |
|      | 24       | 1226875       | (10000000- 20000000 ) Bracket, Slide, Tray, Debris, 800mm  | 1    |
|      | 25       | 1226910       | (10000000- 20000000 ) Panel Wldt, Wrap, Brush, 800mm   | 1    |
|      | 26       | 33584         | (10000000- 20000000 ) Clamp, Cable, Stl, 0.63d X 0.50w, 1hole  | 1    |
|      | 27       | 1074344       | (10000000- 20000000 ) Harness, Ele [Ring With .250m Tail]  | 1    |
|      | 28       | 1034731       | (10000000- 20000000 ) Screw, Hex, M6 X 1.00 X 16, Sems, Ss   | 1    |

▽ ASSEMBLY

▲ INCLUDED IN ASSEMBLY

SCRUB HEAD GROUP, CYLINDRICAL 800MM / 32IN - CONT'D

355638



## SCRUB HEAD GROUP, CYLINDRICAL 800MM / 32IN - CONT'D

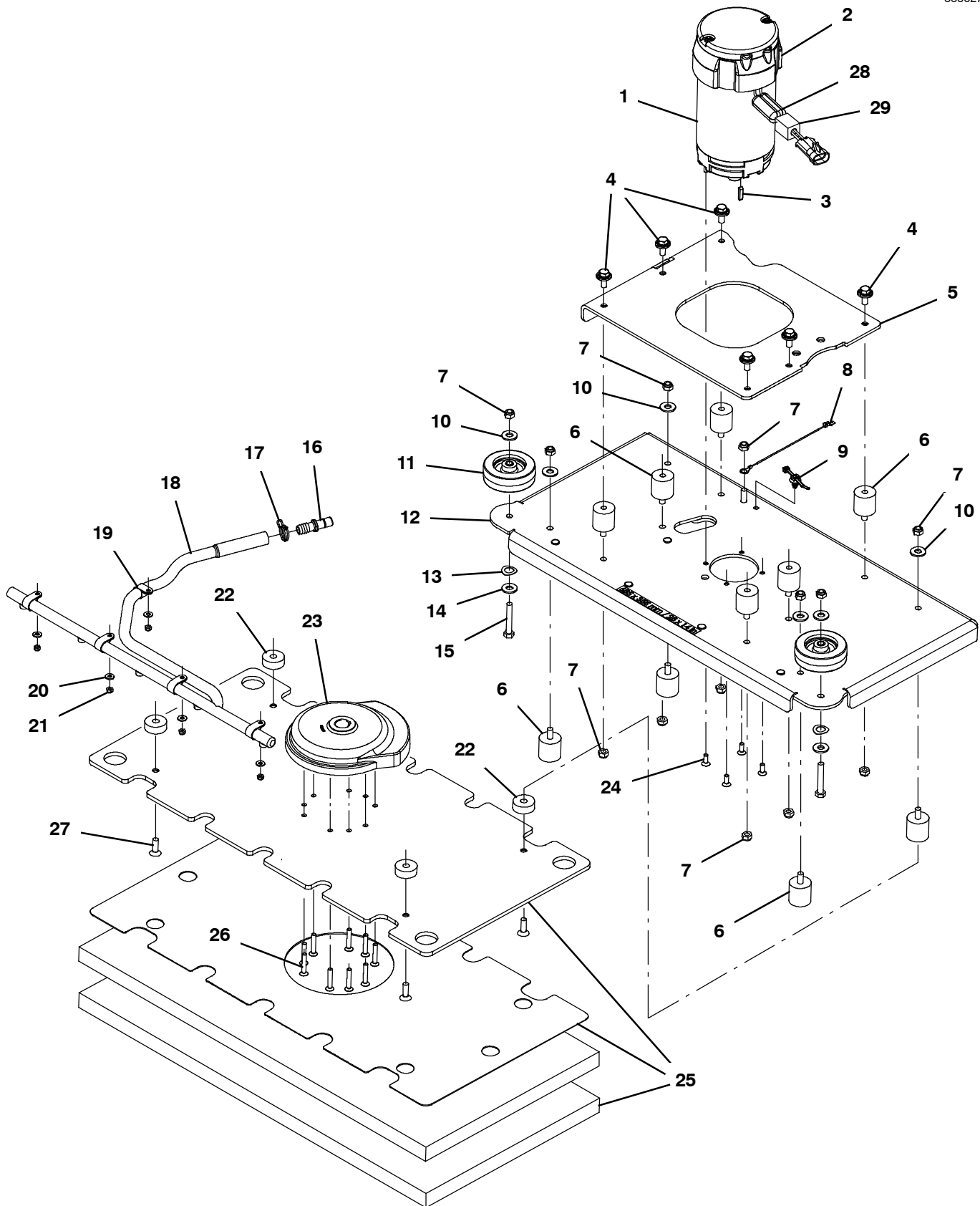
| Ref. | Part No. | Serial Number         | Description                              | Qty.   |   |
|------|----------|-----------------------|--|--|---|
| 1    | 1205799  | (10000000- 20000000 ) | Screw, Btn, M5 X 0.8 X 16, 8.8, NI, Torx | 12   |   |
| 2    | 1218032  | (10000000- 20000000 ) | Cover, Skirt, 2cyl [T500]                | 2  |   |
| 3    | 1218573  | (10000000- 20000000 ) | Skirt, Side, Scrub, Cyl [T500]           | 2  |   |
| 4    | 1218012  | (10000000- 20000000 ) | Cover, Belt, 2 Cyl [T500]                | 2  |   |
| 5    | 1020341  | (10000000- 20000000 ) | Screw, Hex, M8 X 1.25 X 20, Ss, Sems     | 16   |   |
| ▽    | 6        | 9016885               | (10000000- 20000000 )                    | Belt Kit, Motor, Afmkt (Includes Qty 2 Belts & Install Tool)                                     | 1 |
| ▲    |          | 1231688               | (10000000- 20000000 )                    | Belt, 7 Rib, 19.5l   | 1 |
| ▲    | 7        | 1234733               | (10000000- 20000000 )                    | Tool, Installation, Belt   | 1 |
| ▽    | 8        | 9016863               | (10000000- 20000000 )                    | Bracket, Assy, Motor, Afmkt [T600] (Also Includes Bearing And Spacer - Not Available Separately) | 2 |
| ▲    | 9        | 1233393               | (10000000- 20000000 )                    | Shaft, Drive   | 1 |
| ▲    | 10       | 1020341               | (10000000- 20000000 )                    | Screw, Hex, M8 X 1.25 X 20, Ss, Sems   | 2 |
| ▲    | 11       | 1231277               | (10000000- 20000000 )                    | Sheave, 07grv, 2.89pd 0.63b  | 1 |
| ▲    | 12       | 1233950               | (10000000- 20000000 )                    | Key, Sq, 5mm X 5mm X 9mm   | 1 |
| ▲    | 13       | 00911                 | (10000000- 20000000 )                    | Key, Sq, 0.19 X 0.19, 0.75l  | 1 |
| ▲    | 14       | 378805                | (10000000- 20000000 )                    | Plug, Drive, Brush, Mach   | 1 |
| ▲    | 15       | 222818                | (10000000- 20000000 )                    | Screw, Set, Soc, 08- 32 X 0.25, NI   | 2 |
| ▲    | 16       | 1236053               | (10000000- 20000000 )                    | Sheave, 07Grv, 1.22Pd 0.55B [Pj]   | 1 |
|      | 17       | 1014328               | (10000000- 20000000 )                    | Key, Sq, 05mm X 05mm, 25mml  | 2 |
| ▽    | 18       | 1230332               | (10000000- 20000000 )                    | Motor, Ele, 36vdc 1800rpm 0.9hp<br>(Also Requires Ferrites)                                      | 2 |
| ▲    |          | 9011916               | (10000000- 20000000 )                    | Vr, Brush Kit, Motor   | 1 |
|      | 19       | 1075585               | (10000000- 20000000 )                    | Harness, Ele [Motor Rev., Molex Mx150l]  | 1 |
|      | 20       | 1227867               | (10000000- 20000000 )                    | Inductor, Ferrite [Split Case,407@100hz]   | 4 |

▽ ASSEMBLY

▲ INCLUDED IN ASSEMBLY

SCRUB HEAD GROUP, ORBITAL 700MM / 28IN

355627



## SCRUB HEAD GROUP, ORBITAL 700MM / 28IN

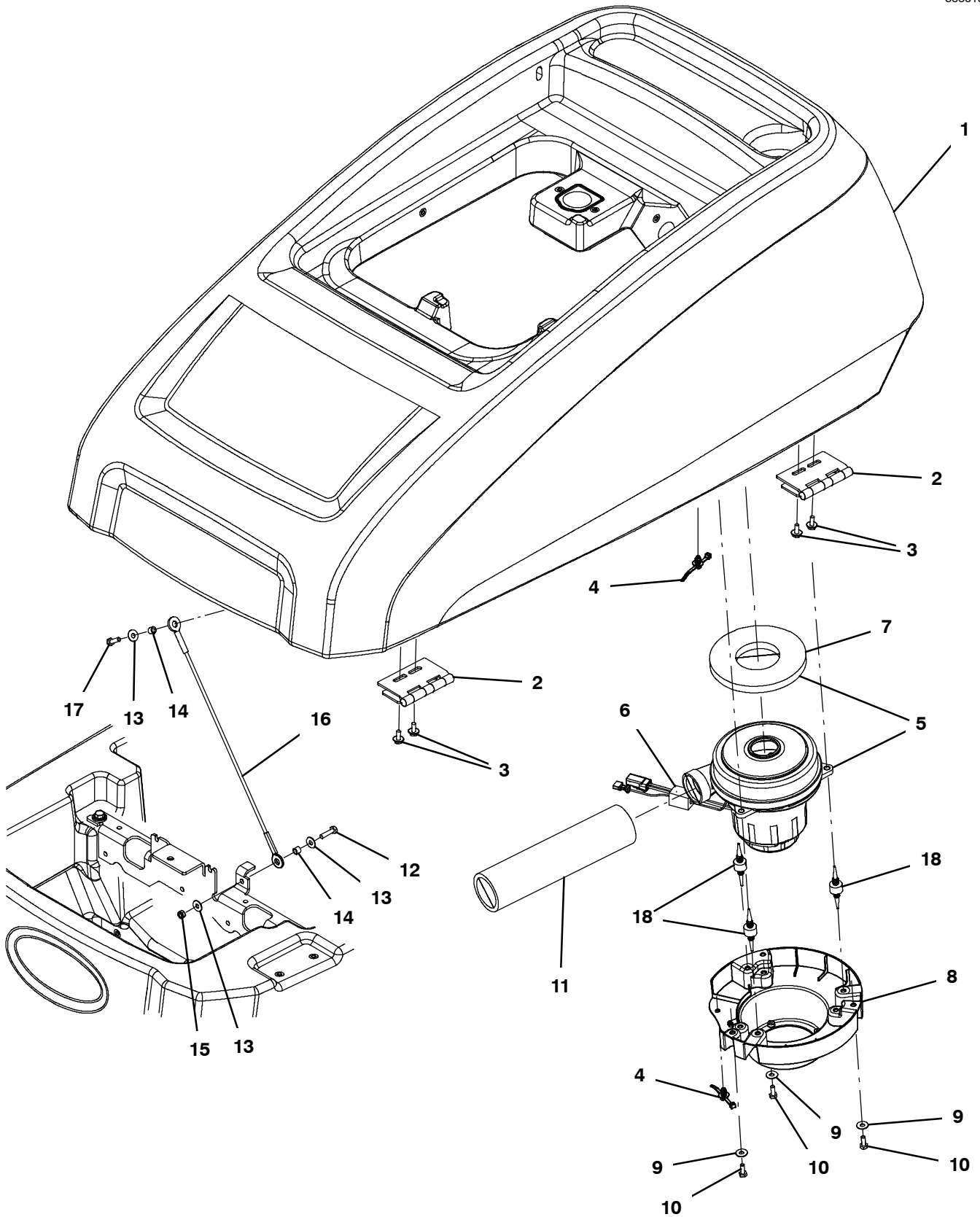
| Ref. | Part No. | Serial Number | Description   | Qty. |
|------|----------|---------------|---|------|
| ▽    | 1        | 1230329       | (10000000- 20000000 ) Motor, Ele, 36vdc, 2200rpm, 0.75hp 18.5a<br>(Also Requires Ferrites)                  | 1    |
| ▲    | 2        | 1059370       | (10000000- 20000000 ) Brush, Motor, Replmt [Bag Of 4)   | 1    |
|      | 3        | 1231238       | (10000000- 20000000 ) Key, Sq, 5mm X 5mm X 22mm   | 1    |
|      | 4        | 1020341       | (10000000- 20000000 ) Screw, Hex, M8 X 1.25 X 20, Ss, Sems  | 6    |
|      | 5        | 1220910       | (10000000- 20000000 ) Bracket Wldt, Mtg, Head   | 1    |
|      | 6        | 1212543       | (10000000- 20000000 ) Isolator, Neoprene, 1.25" X 1.25", M8   | 10   |
|      | 7        | 08713         | (10000000- 20000000 ) Nut, Hex, Lock, M8 X 1.25, NI, Ss   | 12   |
|      | 8        | 1074344       | (10000000- 20000000 ) Harness, Ele [Ring With .250m Tail]   | 1    |
|      | 9        | 1210807       | (10000000- 20000000 ) Wire, Tie [W/.25" Fir Tree Clip]  | 1    |
|      | 10       | 01685         | (10000000- 20000000 ) Washer, Flat, 0.38b 0.88d .08, Ss   | 6    |
|      | 11       | 1014918       | (10000000- 20000000 ) Wheel, 03.0d 0.88w 0.31b, W/ Bshg, Rbr  | 2    |
|      | 12       | 1221766       | (10000000- 20000000 ) Housing Wldt, Brush   | 1    |
|      | 13       | 1210221       | (10000000- 20000000 ) Washer, Wave, .515b, .875d, .013, Ss  | 2    |
|      | 14       | 01685         | (10000000- 20000000 ) Washer, Flat, 0.38b 0.88d .08, Ss   | 2    |
|      | 15       | 49694         | (10000000- 20000000 ) Screw, Hex, M8 X 1.25 X 50, Ss  | 2    |
|      | 16       | 1212807       | (10000000- 20000000 ) Fitting, Plstc, Str, Qm08/Bm08  | 1    |
|      | 17       | 607776        | (10000000- 20000000 ) Clamp, Hose, Wir, .73 - .77, Silver   | 1    |
|      | 18       | 1234853       | (10000000- 20000000 ) Manifold, Bar, Spray [28in]   | 1    |
|      | 19       | 140916        | (10000000- 20000000 ) Clamp, Cable, Nyl, 0.62d, Nat   | 5    |
|      | 20       | 01683         | (10000000- 20000000 ) Washer, Flat, 10, Ss  | 5    |
|      | 21       | 09739         | (10000000- 20000000 ) Nut, Hex, Lock, M5 X 0.80, NI, Ss   | 5    |
|      | 22       | 1221850       | (10000000- 20000000 ) Spacer, Head  | 4    |
|      | 23       | 9015774       | (10000000- 20000000 ) Eccentric Drive Kit, Orbital  | 1    |
|      | 24       | 09163         | (10000000- 20000000 ) Screw, Flt, Soc, M6 X 1.00 X 16, 18- 8,Ss   | 4    |
|      | 25       | 9015416       | (10000000- 20000000 ) Driver Kit, Pad, Ci [T500]<br>(Includes Driver Plate, Driver Face, & Red Buffing Pad) | 1    |
|      | 26       | 1212710       | (10000000- 20000000 ) Screw, Flt, Soc, M6 X 1.00 X 35, 10.9,NI  | 9    |
|      | 27       | 74077         | (10000000- 20000000 ) Screw, Flt, Soc, M8 X 1.25 X 25, Ss   | 4    |
|      | 28       | 1227867       | (10000000- 20000000 ) Inductor, Ferrite [Split Case,407@100hz]  | 2    |
|      | 29       | 1065665       | (10000000- 20000000 ) Inductor, 32.3mml [Ferrite 10- 250mhz]  | 1    |

▽ ASSEMBLY

▲ INCLUDED IN ASSEMBLY

RECOVERY TANK GROUP

355619



## RECOVERY TANK GROUP

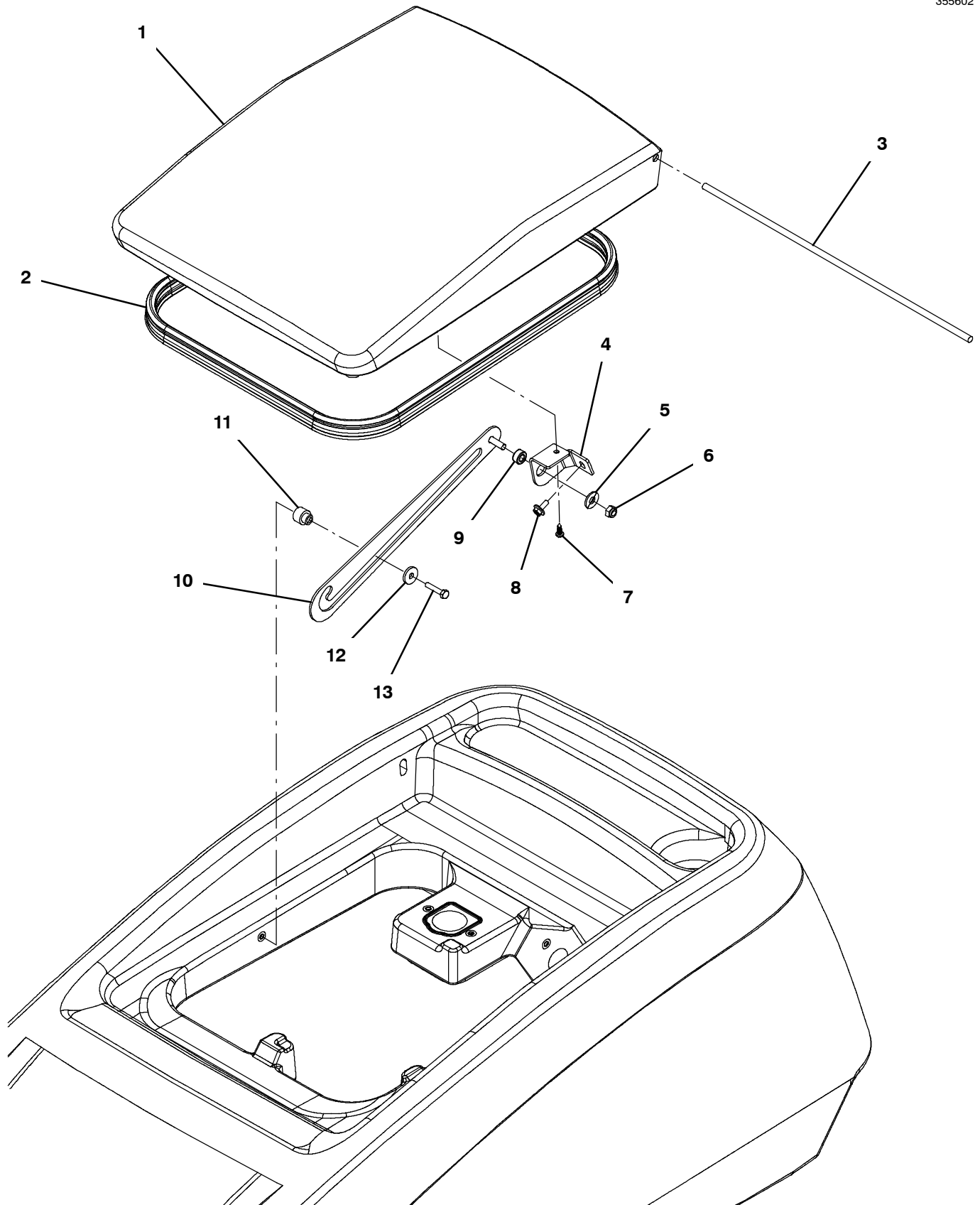
| Ref. | Part No. | Serial Number         | Description                                       | Qty.  |   |
|------|----------|-----------------------|---|---|---|
| 1    | 9016814  | (10000000- 20000000 ) | Tank, Recvy, W/Labels, Afmkt [T600e, Na]          | 1   |   |
| 1    | 9016812  | (10000000- 20000000 ) | Tank, Recvy, W/Labels, Afmkt [T600, Na]           | 1   |   |
| 1    | 9016815  | (10000000- 20000000 ) | Tank, Recvy, W/Labels, Afmkt [T600e, Ce] (Brazil) | 1   |   |
| 1    | 9016813  | (10000000- 20000000 ) | Tank, Recvy, W/Labels, Afmkt [T600, Ce] (Brazil)  | 1   |   |
| 2    | 1217669  | (10000000- 20000000 ) | Hinge Assy, 7.0 Pin, 11 Ga, 100l X 105w           | 2   |   |
| 3    | 1034731  | (10000000- 20000000 ) | Screw, Hex, M6 X 1.00 X 16, Sems, Ss              | 4   |   |
| 4    | 1210807  | (10000000- 20000000 ) | Wire, Tie [W/.25" Fir Tree Clip]                  | 2   |   |
| ▽    | 5        | 9017504               | (10000000- 20000000 )                             | Fan Kit, Vacuum, Ci [T600/T600e] (Ferrite Included) | 1 |
| ▲    |          | 1206774               | (10000000- 20000000 )                             | Vr, Brush Kit, Motor, Fan                           | 1 |
| ▲    | 6        | 1065665               | (10000000- 20000000 )                             | Inductor, 32.3mml [Ferrite 10- 250mhz]              | 1 |
| ▲    | 7        | 100038                | (10000000- 20000000 )                             | Gasket, .50, 02.63id 05.75od, Adh [Epdm]            | 1 |
|      | 8        | 1233700               | (10000000- 20000000 )                             | Mount, Vacfan                                       | 1 |
|      | 9        | 01684                 | (10000000- 20000000 )                             | Washer, Flat, 0.27b 0.69d .05, Ss                   | 3 |
|      | 10       | 11329                 | (10000000- 20000000 )                             | Screw, Hex, M6 X 1.00 X 16, NI, Ss                  | 3 |
|      | 11       | 1054231               | (10000000- 20000000 )                             | Muffler, Vacfan                                     | 1 |
|      | 12       | 06944                 | (10000000- 20000000 )                             | Screw, Hex, M6 X 1.00 X 25, 8.8                     | 1 |
|      | 13       | 01684                 | (10000000- 20000000 )                             | Washer, Flat, 0.27b 0.69d .05, Ss                   | 3 |
|      | 14       | 140154                | (10000000- 20000000 )                             | Sleeve, P/M, 0.25b 0.38d 0.3l, PI                   | 2 |
|      | 15       | 08712                 | (10000000- 20000000 )                             | Nut, Hex, Lock, M6 X 1.00, NI, Ss                   | 1 |
|      | 16       | 1230075               | (10000000- 20000000 )                             | Cable, Glv .13d 15.0l .38eye /.38eye                | 1 |
|      | 17       | 12277                 | (10000000- 20000000 )                             | Screw, Hex, M6 X 1.00 X 20, NI, Ss                  | 1 |
|      | 18       | 1062016               | (10000000- 20000000 )                             | Isolator, Vib, .75d                                 | 3 |

▽ ASSEMBLY

▲ INCLUDED IN ASSEMBLY

RECOVERY TANK COVER GROUP

355602





## RECOVERY TANK COVER GROUP

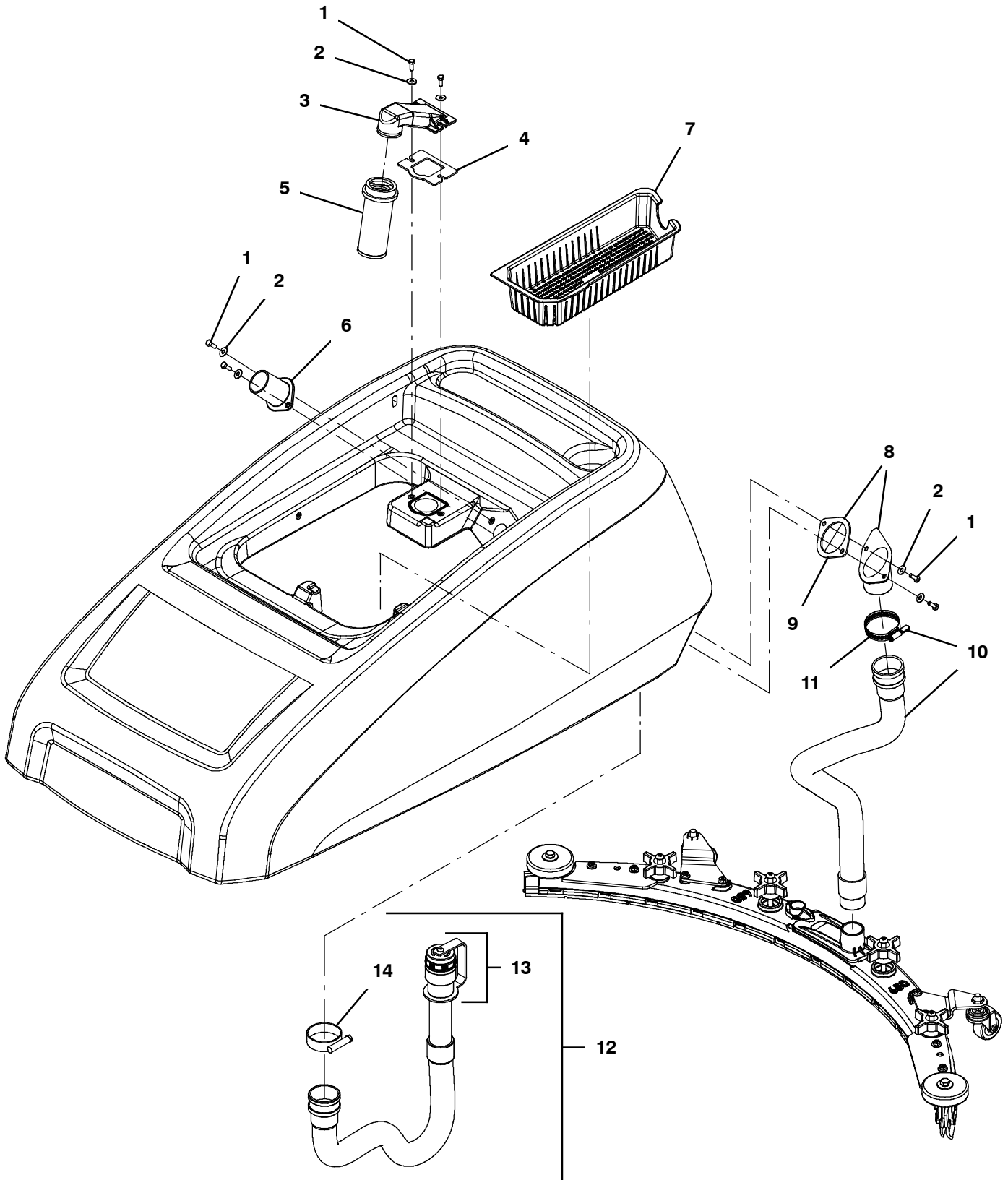
|   | Ref. | Part No. | Serial Number         | Description   | Qty. |
|---|------|----------|-----------------------|---|------|
| ▽ | 1    | 9016824  | (10000000- 20000000 ) | Cover,Tank, Recvy, Afmkt [T600, Na Wlab] (With Label) | 1    |
| ▲ | 2    | 1066433  | (10000000- 20000000 ) | Seal, Afmkt, Bulb, Dual, 08ft [F/.30gap]              | 1    |
| ▽ | 1    | 9016889  | (10000000- 20000000 ) | Cover,Tank, Recvy, Afmkt [T600, Ce] (Brazil)          | 1    |
| ▲ | 2    | 1066433  | (10000000- 20000000 ) | Seal, Afmkt, Bulb, Dual, 08ft [F/.30gap]              | 1    |
|   | 3    | 1230116  | (10000000- 20000000 ) | Bar, Rnd, Plstc, 0.31d 18.4l                          | 1    |
|   | 4    | 1229908  | (10000000- 20000000 ) | Bracket, Mtg, Rod, Prop                               | 1    |
|   | 5    | 01685    | (10000000- 20000000 ) | Washer, Flat, 0.38b 0.88d .08, Ss                     | 1    |
|   | 6    | 08713    | (10000000- 20000000 ) | Nut, Hex, Lock, M8 X 1.25, NI, Ss                     | 1    |
|   | 7    | 1018155  | (10000000- 20000000 ) | Screw, Pan, Phl, M5 X 0.80 X 16, Tcut,Ss              | 1    |
|   | 8    | 1034731  | (10000000- 20000000 ) | Screw, Hex, M6 X 1.00 X 16, Sems, Ss                  | 1    |
|   | 9    | 360460   | (10000000- 20000000 ) | Sleeve, P/M, 0.34b 0.63d 0.4l, Ss / Oil               | 1    |
|   | 10   | 1229911  | (10000000- 20000000 ) | Plate Wldt, Cover, Rcvy                               | 1    |
|   | 11   | 230735   | (10000000- 20000000 ) | Sleeve, P/M, FIng, 0.33b 0.75/0.50d 0.8l              | 1    |
|   | 12   | 01684    | (10000000- 20000000 ) | Washer, Flat, 0.27b 0.69d .05, Ss                     | 1    |
|   | 13   | 12277    | (10000000- 20000000 ) | Screw, Hex, M6 X 1.00 X 20, NI, Ss                    | 1    |

▽ ASSEMBLY

▲ INCLUDED IN ASSEMBLY

RECOVERY TANK FILTER AND HOSE GROUP, PINCH TWIST CAP

355600



RECOVERY TANK FILTER AND HOSE GROUP, PINCH TWIST CAP

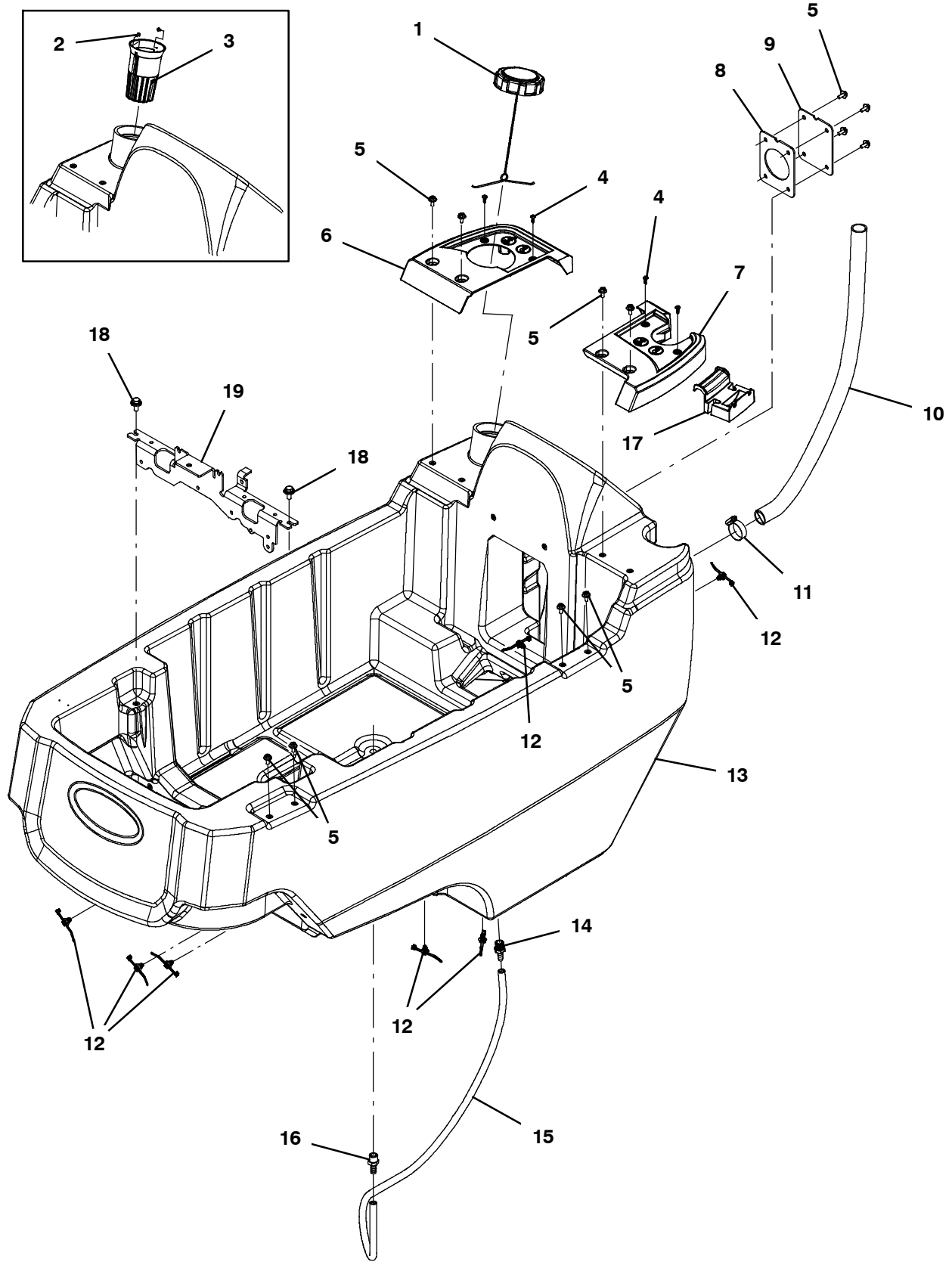
| Ref. | Part No. | Serial Number         | Description                            | Qty.  |   |
|------|----------|-----------------------|--|---|---|
| 1    | 11329    | (10000000- 20000000 ) | Screw, Hex, M6 X 1.00 X 16, Ni, Ss     | 6   |   |
| 2    | 01684    | (10000000- 20000000 ) | Washer, Flat, 0.27b 0.69d .05, Ss      | 6   |   |
| 3    | 1011777  | (10000000- 20000000 ) | Mount, Float, Mold                     | 1   |   |
| 4    | 1013628  | (10000000- 20000000 ) | Gasket, Mtg, Float, .125th, Neo, Adh   | 1   |   |
| 5    | 609531   | (10000000- 20000000 ) | Float, Shutoff, Vacuum, 1- Ball, 1.50d | 1   |   |
| 6    | 1229076  | (10000000- 20000000 ) | Tube, Adapter, 1.7d [T600]             | 1   |   |
| 7    | 1230171  | (10000000- 20000000 ) | Tray, Debris [T600]                    | 1   |   |
| ▽    | 8        | 9017581               | (10000000- 20000000 )                  | Tube Kit, Adapter, Afmkt [T600/T600e]         | 1 |
| ▲    | 9        | 1230613               | (10000000- 20000000 )                  | Gasket, Adapter, Hose, Neo                    | 1 |
| ▽    | 10       | 9017505               | (10000000- 20000000 )                  | Hose Kit, Recvy, Pvc, Ci [T600/T600e] (Black) | 1 |
| ▲    | 11       | 1243301               | (10000000- 20000000 )                  | Clamp, Wormdrive, 2.0d, .56w                  | 1 |
| ▽    | 12       | 9017507               | (10000000- 20000000 )                  | Hose Kit, Drain, Pvc, Ci [T600/T600e] (Black) | 1 |
| ▲▽   | 13       | 1218955               | (10000000- 20000000 )                  | Cap, Drain Assy [Black]                       | 1 |
| ▲▲   |          | 1008637               | (10000000- 20000000 )                  | Seal, Org, 1.48id 1.76od                      | 1 |
| ▲▲   |          | 1007069               | (10000000- 20000000 )                  | Cap, Drain Hose                               | 1 |
| ▲▲   |          | N/A                   | (10000000- 20000000 )                  | Strap, Drain Cap [Black]                      | 1 |
| ▲    | 14       | 22297                 | (10000000- 20000000 )                  | Clamp, Hose, Wormdrive, 1.56- 2.50d, .50w     | 1 |

▽ ASSEMBLY

▲ INCLUDED IN ASSEMBLY

SOLUTION TANK GROUP, STANDARD FILL

355617

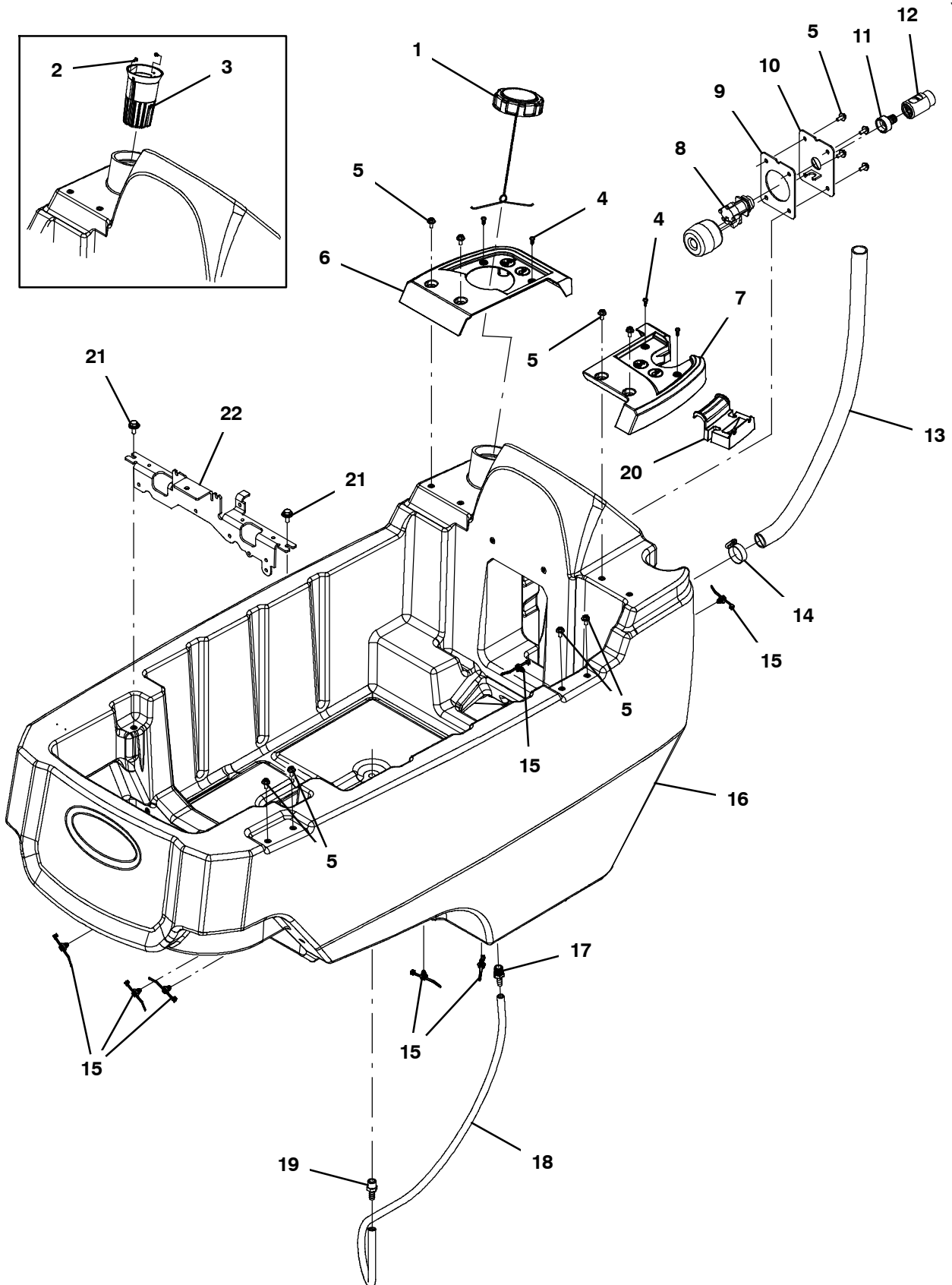


## SOLUTION TANK GROUP, STANDARD FILL

| Ref. | Part No. | Serial Number         | Description                                    | Qty. |
|------|----------|-----------------------|--|------|
| 1    | 1011885  | (10000000- 20000000 ) | Cap, Tank                                      | 1    |
| 2    | 3701.6   | (10000000- 10923837 ) | Screw, Pan, Phl, 06- 32 X 0.38, Shtmtl,Ss      | 2    |
| 3    | 1231617  | (10000000- 10923837 ) | Strainer, Port, Fill, Taper                    | 1    |
| 4    | 1018155  | (10000000- 20000000 ) | Screw, Pan, Phl, M5 X 0.80 X 16, Tcut,Ss       | 4    |
| 5    | 1034731  | (10000000- 20000000 ) | Screw, Hex, M6 X 1.00 X 16, Sems, Ss           | 12   |
| 6    | 1232011  | (10000000- 20000000 ) | Tray, Accssry, Fill, Rh [T600/T600e]           | 1    |
| 7    | 1228885  | (10000000- 20000000 ) | Tray, Accssry, Drain, Lh [T600/T600e]          | 1    |
| 8    | 1228286  | (10000000- 20000000 ) | Gasket, Bracket, Fill, Auto                    | 1    |
| 9    | 1229588  | (10000000- 20000000 ) | Bracket, Cover, Fill                           | 1    |
| 10   | 9015728  | (10000000- 20000000 ) | Hose Kit, Drain, Soln, Ci [T500/T500e]         | 1    |
| 11   | 11399    | (10000000- 20000000 ) | Clamp, Hose, Wormdrive, 0.81- 1.50d, .50w      | 1    |
| 12   | 1210807  | (10000000- 20000000 ) | Wire, Tie [W/.25" Fir Tree Clip]               | 7    |
| 13   | 9016823  | (10000000- 20000000 ) | Tank, Soltn, Afmkt [T600, T600e] (With Labels) | 1    |
| 14   | 1233349  | (10000000- 20000000 ) | Fitting, Plstc, Str, Bm06/Pm06 [Vented]        | 1    |
| 15   | 41295    | (10000000- 20000000 ) | Hose, Pvc, Clr, 0.38id 0.56od 048.0l           | 1    |
| 16   | 150538   | (10000000- 20000000 ) | Fitting, Plstc, Str, Bm06/Pm06                 | 1    |
| 17   | 1214292  | (10000000- 20000000 ) | Bracket, Hanger, Rail, Lrg (Option)            | 1    |
| 18   | 1020341  | (10000000- 20000000 ) | Screw, Hex, M8 X 1.25 X 20, Ss, Sems           | 2    |
| 19   | 1229460  | (10000000- 20000000 ) | Bracket, Sppt                                  | 1    |

SOLUTION TANK GROUP, AUTO-FILL

355603

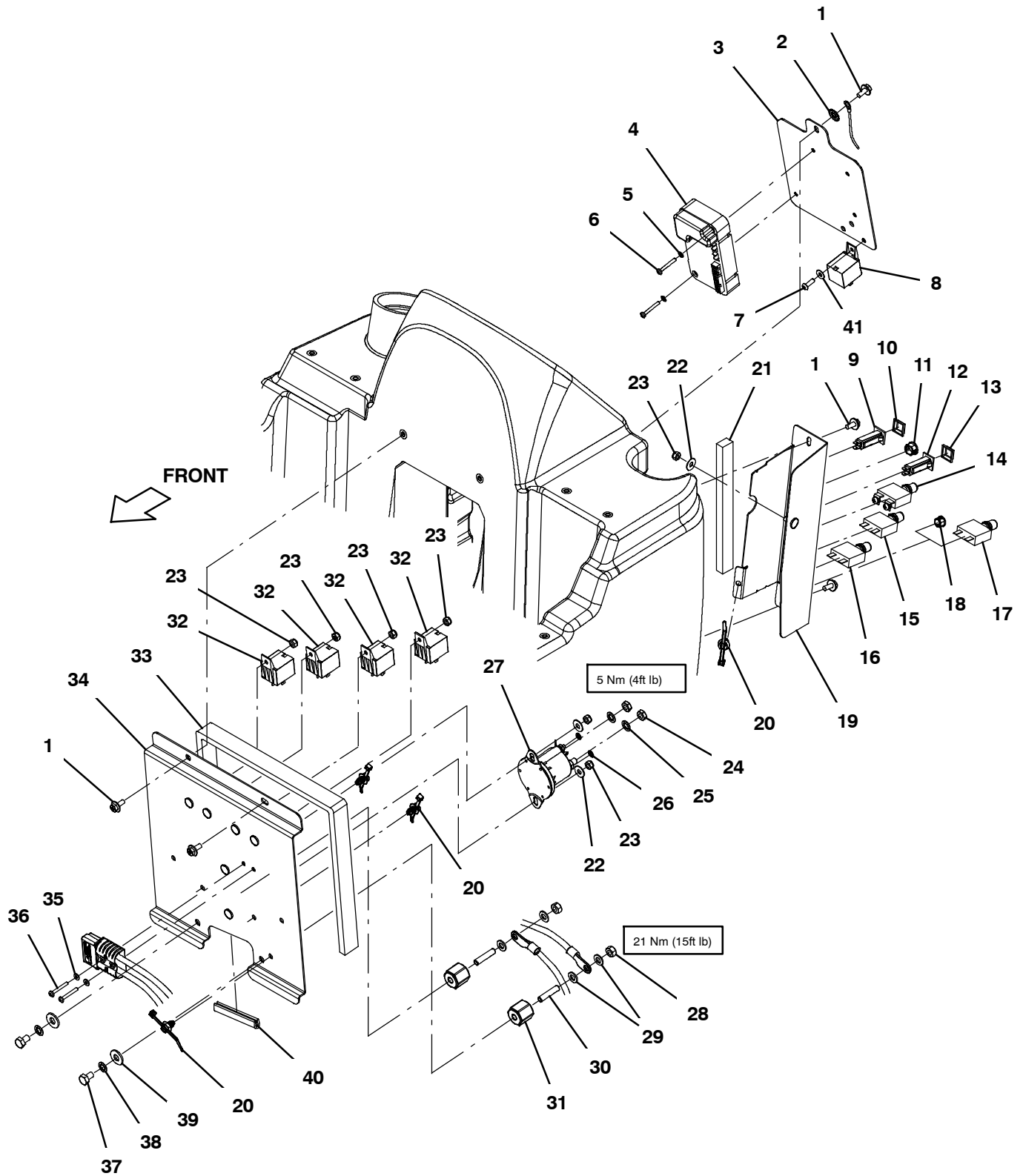


## SOLUTION TANK GROUP, AUTO-FILL

| Ref. | Part No. | Serial Number         | Description                                    | Qty. |
|------|----------|-----------------------|--|------|
| 1    | 1011885  | (10000000- 20000000 ) | Cap, Tank                                      | 1    |
| 2    | 3701.6   | (10000000- 10923837 ) | Screw, Pan, Phl, 06- 32 X 0.38, Shtmtl, Ss     | 2    |
| 3    | 1231617  | (10000000- 10923837 ) | Strainer, Port, Fill, Taper                    | 1    |
| 4    | 1018155  | (10000000- 20000000 ) | Screw, Pan, Phl, M5 X 0.80 X 16, Tcut, Ss      | 4    |
| 5    | 1034731  | (10000000- 20000000 ) | Screw, Hex, M6 X 1.00 X 16, Sems, Ss           | 12   |
| 6    | 1232011  | (10000000- 20000000 ) | Tray, Accssry, Fill, Rh [T600/T600e]           | 1    |
| 7    | 1228885  | (10000000- 20000000 ) | Tray, Accssry, Drain, Lh [T600/T600e]          | 1    |
| 8    | 1219566  | (10000000- 20000000 ) | Valve, Float, 6.7gpm                           | 1    |
| 9    | 1228286  | (10000000- 20000000 ) | Gasket, Bracket, Fill, Auto                    | 1    |
| 10   | 1231938  | (10000000- 20000000 ) | Bracket Wldt, Fill, Auto                       | 1    |
| 11   | 1227400  | (10000000- 20000000 ) | Fitting, Plstc, Qd, Male                       | 1    |
| 12   | 1227512  | (10000000- 20000000 ) | Fitting, Plstc, Qd, Female                     | 1    |
| 13   | 9015728  | (10000000- 20000000 ) | Hose Kit, Drain, Soln, Ci [T500/T500e]         | 1    |
| 14   | 11399    | (10000000- 20000000 ) | Clamp, Hose, Wormdrive, 0.81- 1.50d, .50w      | 1    |
| 15   | 1210807  | (10000000- 20000000 ) | Wire, Tie [W/.25" Fir Tree Clip]               | 7    |
| 16   | 9016823  | (10000000- 20000000 ) | Tank, Soltn, Afmkt [T600, T600e] (With Labels) | 1    |
| 17   | 1233349  | (10000000- 20000000 ) | Fitting, Plstc, Str, Bm06/Pm06 [Vented]        | 1    |
| 18   | 41295    | (10000000- 20000000 ) | Hose, Pvc, Clr, 0.38id 0.56od 048.0l           | 1    |
| 19   | 150538   | (10000000- 20000000 ) | Fitting, Plstc, Str, Bm06/Pm06                 | 1    |
| 20   | 1214292  | (10000000- 20000000 ) | Bracket, Hanger, Rail, Lrg (Option)            | 1    |
| 21   | 1020341  | (10000000- 20000000 ) | Screw, Hex, M8 X 1.25 X 20, Ss, Sems           | 2    |
| 22   | 1229460  | (10000000- 20000000 ) | Bracket, Sppt                                  | 1    |

STANDARD ELECTRICAL GROUP (T600e MODEL)

355650





## STANDARD ELECTRICAL GROUP (T600e MODEL)

| Ref. | Part No. | Serial Number         | Description   | Qty. |
|------|----------|-----------------------|---|------|
| 1    | 1034731  | (10000000- 20000000 ) | Screw, Hex, M6 X 1.00 X 16, Sems, Ss                                | 3    |
| 2    | 41140    | (10000000- 20000000 ) | Washer, Lock, Int- Ext, 0.25  | 2    |
| 3    | 1232434  | (10000000- 20000000 ) | Bracket Wldt, Mtg, Control, Full                                    | 1    |
| 4    | 9017641* | (10000000- 20000000 ) | Controller Kit, Drive, Ci [T600/T600e]                              | 1    |
| 5    | 02938    | (10000000- 20000000 ) | Washer, Lock, Int, 08, Ss   | 2    |
| 6    | 33931    | (10000000- 20000000 ) | Screw, Pan, Phl, M4 X 0.70 X 30, Ss                                 | 2    |
| 7    | 579237   | (10000000- 20000000 ) | Screw, Pan, Phl, M4 X 0.70 X 12, Ss                                 | 1    |
| 8    | 1229172  | (10000000- 20000000 ) | Relay, 36vdc, 025a, Spdt (ABW & ecH2O Models)                       | 1    |
| 9    | 1064184  | (10000000- 20000000 ) | Circuitbreaker, 02.5a, Resetable (Key Switch)                       | 1    |
| 10   | 1064191  | (10000000- 20000000 ) | Boot, Circuitbreaker  | 1    |
| 11   | 1058340  | (10000000- 20000000 ) | Plug, Hole, Rnd, 0.63h 0.1l, Blk                                    | 1    |
| 12   | 1064187  | (10000000- 20000000 ) | Circuitbreaker, 10.0a, Resetable (Actuator)                         | 1    |
| 13   | 1064191  | (10000000- 20000000 ) | Boot, Circuitbreaker  | 1    |
| 14   | 383727   | (10000000- 20000000 ) | Circuitbreaker, 40.0a, Resetable (I- Drive)                         | 1    |
| 15   | 383724   | (10000000- 20000000 ) | Circuitbreaker, 25.0a, Resetable (Vacuum Fan)                       | 1    |
| 16   | 383725   | (10000000- 20000000 ) | Circuitbreaker, 30.0a, Resetable<br>(Left Scrub Motor Disk & Cyld)  | 1    |
| 16   | 383725   | (10000000- 20000000 ) | Circuitbreaker, 30.0a, Resetable<br>(Scrub Motor Orbital)           | 1    |
| 17   | 383725   | (10000000- 20000000 ) | Circuitbreaker, 30.0a, Resetable<br>(Right Scrub Motor Disk & Cyld) | 1    |
| 18   | 1232354  | (10000000- 20000000 ) | Plug, Hole, Double D, 12.7 Dia (Orbital Head Only)                  | 1    |
| 19   | 9016844  | (10000000- 20000000 ) | Bracket, Circuitbreaker, Afmkt [T600]                               | 5    |
| 20   | 1210807  | (10000000- 20000000 ) | Wire, Tie [W/.25" Fir Tree Clip]                                    | 4    |
| 21   | 1230333  | (10000000- 20000000 ) | Gasket, Neo, .50 X .75, Psa   | 1    |
| 22   | 01684    | (10000000- 20000000 ) | Washer, Flat, 0.27b 0.69d .05, Ss                                   | 3    |
| 23   | 08712    | (10000000- 20000000 ) | Nut, Hex, Lock, M6 X 1.00, NI, Ss                                   | 7    |
| 24   | 20170    | (10000000- 20000000 ) | Nut, Hex, Jam, .31- 24  | 2    |
| 25   | 32984    | (10000000- 20000000 ) | Washer, Lock, Int, 0.31   | 2    |
| 26   | 32980    | (10000000- 20000000 ) | Washer, Lock, Int, 10   | 2    |
| 27   | 1228368  | (10000000- 20000000 ) | Relay, 36vdc, 125a, No  | 1    |
| 28   | 41361    | (10000000- 20000000 ) | Nut, Hex, Std, M8 X 1.25, Brs                                       | 2    |
| 29   | 1209373  | (10000000- 20000000 ) | Washer, Flat, M8.4b X 16d X 1.6, Brs                                | 4    |
| 30   | 607461   | (10000000- 20000000 ) | Screw, Set, M8 X 1.25 X 35, NI                                      | 1    |
| 31   | 1205345  | (10000000- 20000000 ) | Stand- Off, Wir, M8, Insulator, Panel                               | 2    |
| 32   | 1229172  | (10000000- 20000000 ) | Relay, 36vdc, 025a, Spdt  | 4    |
| 33   | 1219045  | (10000000- 20000000 ) | Gasket, Cover, Circuitboard   | 1    |
| 34   | 1229346  | (10000000- 20000000 ) | Plate Wldt, Mtg, Ele  | 1    |
| 35   | 41578    | (10000000- 20000000 ) | Washer, Flat, 06, Ss  | 2    |
| 36   | 33931    | (10000000- 20000000 ) | Screw, Pan, Phl, M4 X 0.70 X 30, Ss                                 | 2    |
| 37   | 386868   | (10000000- 20000000 ) | Screw, Hex, M8 X 1.25 X 12, Ss                                      | 2    |
| 38   | 43952    | (10000000- 20000000 ) | Washer, Lock, Int, 0.31, Ss   | 2    |
| 39   | 01685    | (10000000- 20000000 ) | Washer, Flat, 0.38b 0.88d .08, Ss                                   | 2    |
| 40   | 1020168  | (10000000- 20000000 ) | Molding, Afmkt, Trim, Pvc, .08 .11, 01ft                            | 1    |
| 41   | 01683    | (10000000- 20000000 ) | Washer, Flat, 10, Ss  | 1    |

\* Requires Tennant *True* service or an authorized Tennant service provider.



## STANDARD ELECTRICAL GROUP (T600 MODEL)

| Ref. | Part No. | Serial Number         | Description   | Qty.                        |   |
|------|----------|-----------------------|---|-----------------------------|---|
| 1    | 1034731  | (10000000- 20000000 ) | Screw, Hex, M6 X 1.00 X 16, Sems, Ss                  | 3                           |   |
| 2    | 41140    | (10000000- 20000000 ) | Washer, Lock, Int- Ext, 0.25                          | 2                           |   |
| 3    | 1232434  | (10000000- 20000000 ) | Bracket Wldt, Mtg, Control, Full                      | 1                           |   |
| 4    | 9017641* | (10000000- 20000000 ) | Controller Kit, Drive, Ci [T600/T600e]                | 1                           |   |
| 5    | 02938    | (10000000- 20000000 ) | Washer, Lock, Int, 08, Ss                             | 2                           |   |
| 6    | 33931    | (10000000- 20000000 ) | Screw, Pan, Phl, M4 X 0.70 X 30, Ss                   | 2                           |   |
| 7    | 391403   | (10000000- 20000000 ) | Screw, Pan, Phl, M4 X 0.70 X 8, Ss                    | 2                           |   |
| 8    | 01683    | (10000000- 20000000 ) | Washer, Flat, 10, Ss                                  | 2                           |   |
| 9    | 1228368  | (10000000- 20000000 ) | Relay, 36vdc, 125a, No                                | 1                           |   |
| 10   | 1205799  | (10000000- 20000000 ) | Screw, Btn, M5 X 0.8 X 16, 8.8, NI, Torx              | 1                           |   |
| 11   | 1229172  | (10000000- 20000000 ) | Relay, 36vdc, 025a, Spdt                              | 1                           |   |
| 12   | 1064184  | (10000000- 20000000 ) | Circuitbreaker, 02.5a, Resetable (Key Switch)         | 1                           |   |
| 13   | 1064191  | (10000000- 20000000 ) | Boot, Circuitbreaker                                  | 1                           |   |
| 14   | 1064187  | (10000000- 20000000 ) | Circuitbreaker, 10.0a, Resetable (Main Control Board) | 1                           |   |
| 15   | 1064191  | (10000000- 20000000 ) | Boot, Circuitbreaker                                  | 1                           |   |
| 16   | 1058340  | (10000000- 20000000 ) | Plug, Hole, Rnd, 0.63h 0.1l, Blk                      | 1                           |   |
| 17   | 383727   | (10000000- 20000000 ) | Circuitbreaker, 40.0a, Resetable (I- Drive)           | 1                           |   |
| 18   | 1232354  | (10000000- 20000000 ) | Plug, Hole, Double D, 12.7 Dia                        | 3                           |   |
| 19   | 9016844  | (10000000- 20000000 ) | Bracket, Circuitbreaker, Afmkt [T600]                 | 1                           |   |
| 20   | 1230333  | (10000000- 20000000 ) | Gasket, Neo, .50 X .75, Psa                           | 1                           |   |
| 21   | 01684    | (10000000- 20000000 ) | Washer, Flat, 0.27b 0.69d .05, Ss                     | 1                           |   |
| 22   | 08712    | (10000000- 20000000 ) | Nut, Hex, Lock, M6 X 1.00, NI, Ss                     | 1                           |   |
| 23   | 1210807  | (10000000- 20000000 ) | Wire, Tie [W/.25" Fir Tree Clip]                      | 3                           |   |
| 24   | 1061910  | (10000000- 20000000 ) | Nut, Hex, Std, M6 X 1.00, Brs                         | 1                           |   |
| 25   | 1061918  | (10000000- 20000000 ) | Washer, Flat, 0.25b 0.47d .06, Brs                    | 1                           |   |
| 26   | 07515    | (10000000- 20000000 ) | Washer, Lock, Int, 0.25, Ss                           | 1                           |   |
| 27   | 41361    | (10000000- 20000000 ) | Nut, Hex, Std, M8 X 1.25, Brs                         | 2                           |   |
| 28   | 1209373  | (10000000- 20000000 ) | Washer, Flat, M8.4b X 16d X 1.6, Brs                  | 3                           |   |
| 29   | 43952    | (10000000- 20000000 ) | Washer, Lock, Int, 0.31, Ss                           | 3                           |   |
| 30   | 607461   | (10000000- 20000000 ) | Screw, Set, M8 X 1.25 X 35, NI                        | 1                           |   |
| 31   | 1212780  | (10000000- 20000000 ) | Busbar, 125a 0.188 0.750w 2.638l                      | 1                           |   |
| 32   | 1205345  | (10000000- 20000000 ) | Stand- Off, Wir, M8, Insulator, Panel                 | 1                           |   |
| 33   | 1205799  | (10000000- 20000000 ) | Screw, Btn, M5 X 0.8 X 16, 8.8, NI, Torx              | 8                           |   |
| ▽    | 34       | 9017501               | (10000000- 20000000 )                                 | Circuitboard Kit, Ci [T600] | 1 |
| ▲    | 27964    | (10000000- 20000000 ) | Strap, Ground, Static, Disposable                     | 1                           |   |
| ▲    | 1071235  | (10000000- 20000000 ) | Cable [Usb, 2m, A- Male To Mini- B- Male]             | 1                           |   |
| 35   | 1220930  | (10000000- 20000000 ) | Circuitboard, Silpad [T500, Main Scrub]               | 1                           |   |
| 36   | 1209448  | (10000000- 20000000 ) | Standoff, Circuitboard, .25                           | 6                           |   |
| 37   | 1219045  | (10000000- 20000000 ) | Gasket, Cover, Circuitboard                           | 1                           |   |
| 38   | 1234401  | (10000000- 20000000 ) | Heatsink, Mtg, Circuitboard, Machined                 | 1                           |   |
| 39   | 33931    | (10000000- 20000000 ) | Screw, Pan, Phl, M4 X 0.70 X 30, Ss                   | 2                           |   |
| 40   | 41578    | (10000000- 20000000 ) | Washer, Flat, 06, Ss                                  | 2                           |   |
| 41   | 386868   | (10000000- 20000000 ) | Screw, Hex, M8 X 1.25 X 12, Ss                        | 1                           |   |
| 42   | 01685    | (10000000- 20000000 ) | Washer, Flat, 0.38b 0.88d .08, Ss                     | 1                           |   |
| 43   | 1020168  | (10000000- 20000000 ) | Molding, Afmkt, Trim, Pvc, .08 .11, 01ft              | 1                           |   |

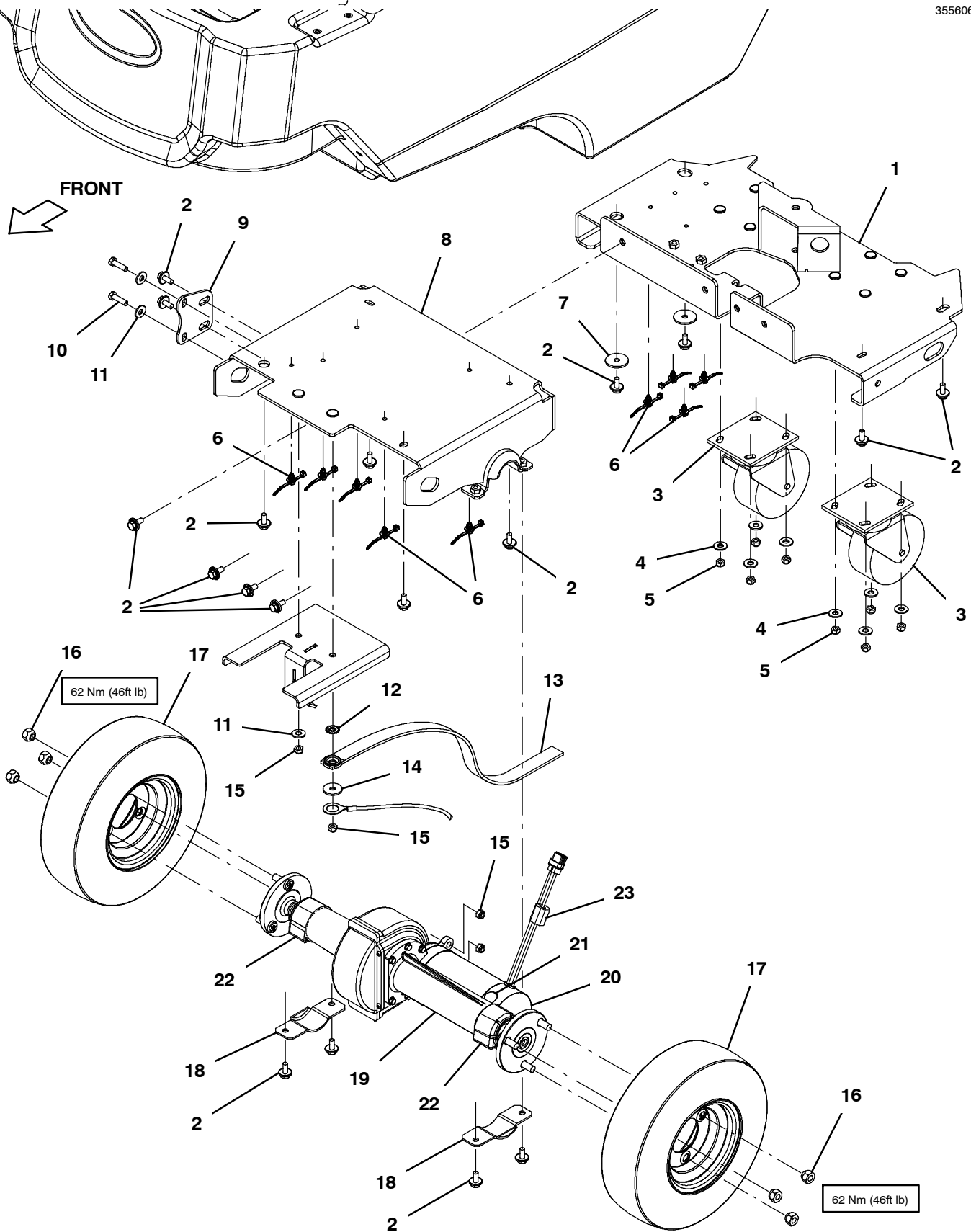
\* Requires Tennant *True* service or an authorized Tennant service provider.

▽ ASSEMBLY

▲ INCLUDED IN ASSEMBLY

FRAME AND DRIVE GROUP, WITHOUT PARK LOCK

355606



FRAME AND DRIVE GROUP, WITHOUT PARK LOCK

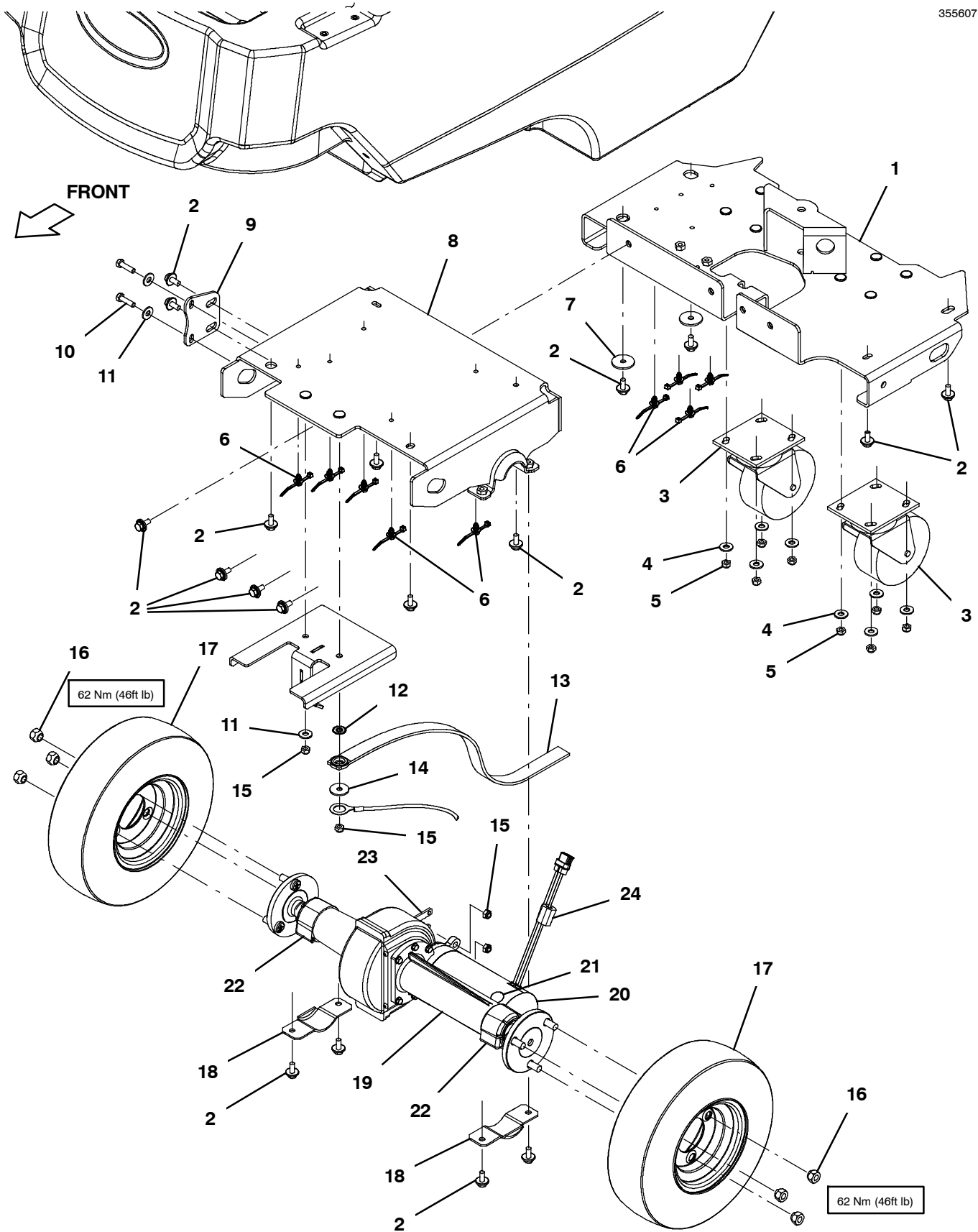
| Ref. | Part No. | Serial Number         | Description  | Qty.                                  |   |
|------|----------|-----------------------|--|---------------------------------------|---|
| 1    | 9016858  | (10000000- 20000000 ) | Frame, Afmkt [T600, T600e] (With Label)  | 1                                     |   |
| 2    | 1020341  | (10000000- 20000000 ) | Screw, Hex, M8 X 1.25 X 20, Ss, Sems   | 18                                    |   |
| 3    | 1049046  | (10000000- 20000000 ) | Caster, Swivel, 5.0d 2.0w, 4hole, Gray   | 2                                     |   |
| 4    | 01685    | (10000000- 20000000 ) | Washer, Flat, 0.38b 0.88d .08, Ss  | 8                                     |   |
| 5    | 08713    | (10000000- 20000000 ) | Nut, Hex, Lock, M8 X 1.25, NI, Ss  | 8                                     |   |
| 6    | 1210807  | (10000000- 20000000 ) | Wire, Tie [W/.25" Fir Tree Clip]   | 9                                     |   |
| 7    | 1016331  | (10000000- 20000000 ) | Washer, Flat, 0.34b 1.25d .11, Ss  | 2                                     |   |
| 8    | 1228962  | (10000000- 20000000 ) | Frame Wldt, Front  | 1                                     |   |
| 9    | 1230091  | (10000000- 20000000 ) | Bracket, Frame, Anti- Rotate   | 1                                     |   |
| 10   | 1016399  | (10000000- 20000000 ) | Screw, Hex, M8 X 1.25 X 30, NI, Ss   | 2                                     |   |
| 11   | 01685    | (10000000- 20000000 ) | Washer, Flat, 0.38b 0.88d .08, Ss  | 3                                     |   |
| 12   | 41141    | (10000000- 20000000 ) | Washer, Lock, Int- Ext, 0.31   | 1                                     |   |
| 13   | 71579    | (10000000- 20000000 ) | Strap, Static, W/Grommet, .19 1.1w 25.0l   | 1                                     |   |
| 14   | 01685    | (10000000- 20000000 ) | Washer, Flat, 0.38b 0.88d .08, Ss  | 1                                     |   |
| 15   | 08713    | (10000000- 20000000 ) | Nut, Hex, Lock, M8 X 1.25, NI, Ss  | 4                                     |   |
| 16   | 11109    | (10000000- 20000000 ) | Nut, Wheel, .44- 20 X 60 Angle   | 6                                     |   |
| 17   | 1231001  | (10940148- 20000000 ) | Tire Assy, Foam, 4.10/3.5- 06 3.5bc/3bolt<br>(Standard - Non Marking)                      | 2                                     |   |
| 17   | 1236073  | (10000000- 10940147 ) | Tire Assy, Solid, 4.1/3.5- 06 3.5bc/3bolt (Standard)<br>(Replaced By 1231001 - Order Qty2) | 2                                     |   |
| 17   | 1244372  | (10944148- 20000000 ) | Tire Assy, Pneu, Blk, 4.10/3.5- 06 3.5bc<br>(Option - Non Marking)                         | 2                                     |   |
| 17   | 1059450  | (10000000- 10944147 ) | Tire Assy, Pneu, Blk, 4.10/3.5- 06 3.5bc (Option)<br>(Replaced By 1244372)                 | 2                                     |   |
| 18   | 222036   | (10000000- 20000000 ) | Bracket, Mtg, Isolator   | 2                                     |   |
| ∇    | 19       | 1230428               | (10000000- 20000000 )  | Transaxle Assy, W/O Park Lock         | 1 |
| ▲∇   | 20       | 1243083               | (10000000- 20000000 )  | Vr, Motor Kit, Transaxle [T600/T600e] | 1 |
| ▲▲   | 21       | 1072555               | (10000000- 20000000 )  | Vr, Brush Kit, Motor 1072554/1243083  | 1 |
| ▲    | 22       | 222035                | (10000000- 20000000 )  | Isolator, Vib, Transaxle              | 2 |
|      | 23       | 1052126               | (10963451- 20000000 )  | Inductor, 12.7mmid [156 Imp At 25mhz] | 1 |

∇ ASSEMBLY

▲ INCLUDED IN ASSEMBLY

FRAME AND DRIVE GROUP, WITH PARK LOCK

355607



FRAME AND DRIVE GROUP, WITH PARK LOCK

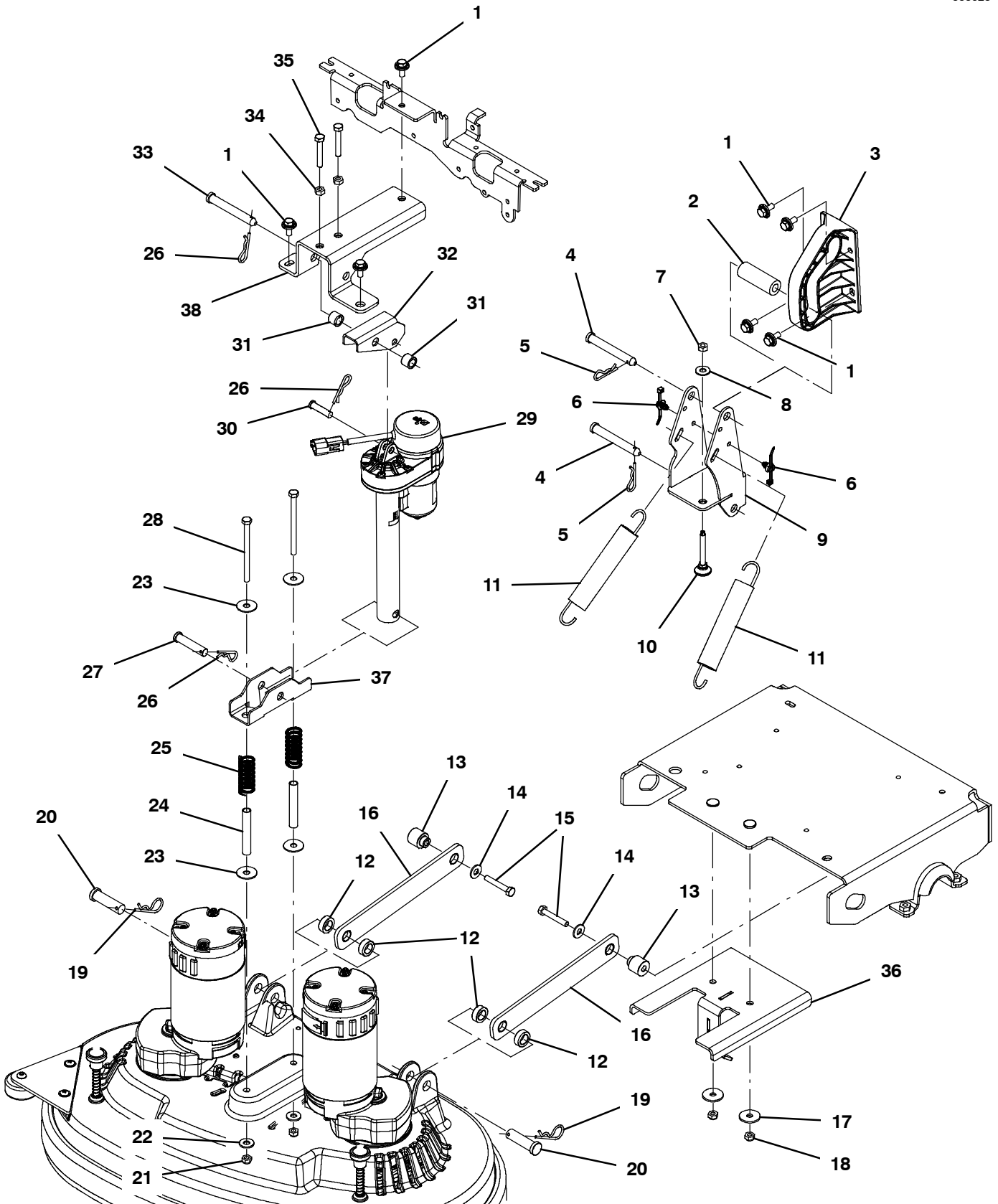
| Ref. | Part No. | Serial Number         | Description  | Qty.                                  |   |
|------|----------|-----------------------|--|---------------------------------------|---|
| 1    | 9016858  | (10000000- 20000000 ) | Frame, Afmkt [T600, T600e] (With Label)  | 1                                     |   |
| 2    | 1020341  | (10000000- 20000000 ) | Screw, Hex, M8 X 1.25 X 20, Ss, Sems   | 18                                    |   |
| 3    | 1049046  | (10000000- 20000000 ) | Caster, Swivel, 5.0d 2.0w, 4hole, Gray   | 2                                     |   |
| 4    | 01685    | (10000000- 20000000 ) | Washer, Flat, 0.38b 0.88d .08, Ss  | 8                                     |   |
| 5    | 08713    | (10000000- 20000000 ) | Nut, Hex, Lock, M8 X 1.25, NI, Ss  | 8                                     |   |
| 6    | 1210807  | (10000000- 20000000 ) | Wire, Tie [W/.25" Fir Tree Clip]   | 9                                     |   |
| 7    | 1016331  | (10000000- 20000000 ) | Washer, Flat, 0.34b 1.25d .11, Ss  | 2                                     |   |
| 8    | 1228962  | (10000000- 20000000 ) | Frame Wldt, Front  | 1                                     |   |
| 9    | 1230091  | (10000000- 20000000 ) | Bracket, Frame, Anti- Rotate   | 1                                     |   |
| 10   | 1016399  | (10000000- 20000000 ) | Screw, Hex, M8 X 1.25 X 30, NI, Ss   | 2                                     |   |
| 11   | 01685    | (10000000- 20000000 ) | Washer, Flat, 0.38b 0.88d .08, Ss  | 3                                     |   |
| 12   | 41141    | (10000000- 20000000 ) | Washer, Lock, Int- Ext, 0.31   | 1                                     |   |
| 13   | 71579    | (10000000- 20000000 ) | Strap, Static, W/Grommet, .19 1.1w 25.0l   | 1                                     |   |
| 14   | 01685    | (10000000- 20000000 ) | Washer, Flat, 0.38b 0.88d .08, Ss  | 1                                     |   |
| 15   | 08713    | (10000000- 20000000 ) | Nut, Hex, Lock, M8 X 1.25, NI, Ss  | 4                                     |   |
| 16   | 11109    | (10000000- 20000000 ) | Nut, Wheel, .44- 20 X 60 Angle   | 6                                     |   |
| 17   | 1231001  | (10940148- 20000000 ) | Tire Assy, Foam, 4.10/3.5- 06 3.5bc/3bolt<br>(Standard - Non Marking)                      | 2                                     |   |
| 17   | 1236073  | (10000000- 10940147 ) | Tire Assy, Solid, 4.1/3.5- 06 3.5bc/3bolt (Standard)<br>(Replaced By 1231001 - Order Qty2) | 2                                     |   |
| 17   | 1244372  | (10944148- 20000000 ) | Tire Assy, Pneu, Blk, 4.10/3.5- 06 3.5bc<br>(Option - Non Marking)                         | 2                                     |   |
| 17   | 1059450  | (10000000- 10944147 ) | Tire Assy, Pneu, Blk, 4.10/3.5- 06 3.5bc (Option)<br>(Replaced By 1244372)                 | 2                                     |   |
| 18   | 222036   | (10000000- 20000000 ) | Bracket, Mtg, Isolator   | 2                                     |   |
| ▽    | 19       | 1230422               | (10000000- 20000000 )  | Transaxle Assy, [W/Park Lock]         | 1 |
| ▲▽   | 20       | 1243083               | (10000000- 20000000 )  | Vr, Motor Kit, Transaxle [T600/T600e] | 1 |
| ▲▲   | 21       | 1072555               | (10000000- 20000000 )  | Vr, Brush Kit, Motor 1072554/1243083  | 1 |
| ▲    | 22       | 222035                | (10000000- 20000000 )  | Isolator, Vib, Transaxle              | 2 |
| ▲    | 23       | 1074732               | (10000000- 20000000 )  | Brake, Transaxle                      | 1 |
|      | 24       | 1052126               | (10963451- 20000000 )  | Inductor, 12.7mmid [156 Imp At 25mhz] | 1 |

▽ ASSEMBLY

▲ INCLUDED IN ASSEMBLY

HEAD LIFT GROUP, DISK

355628



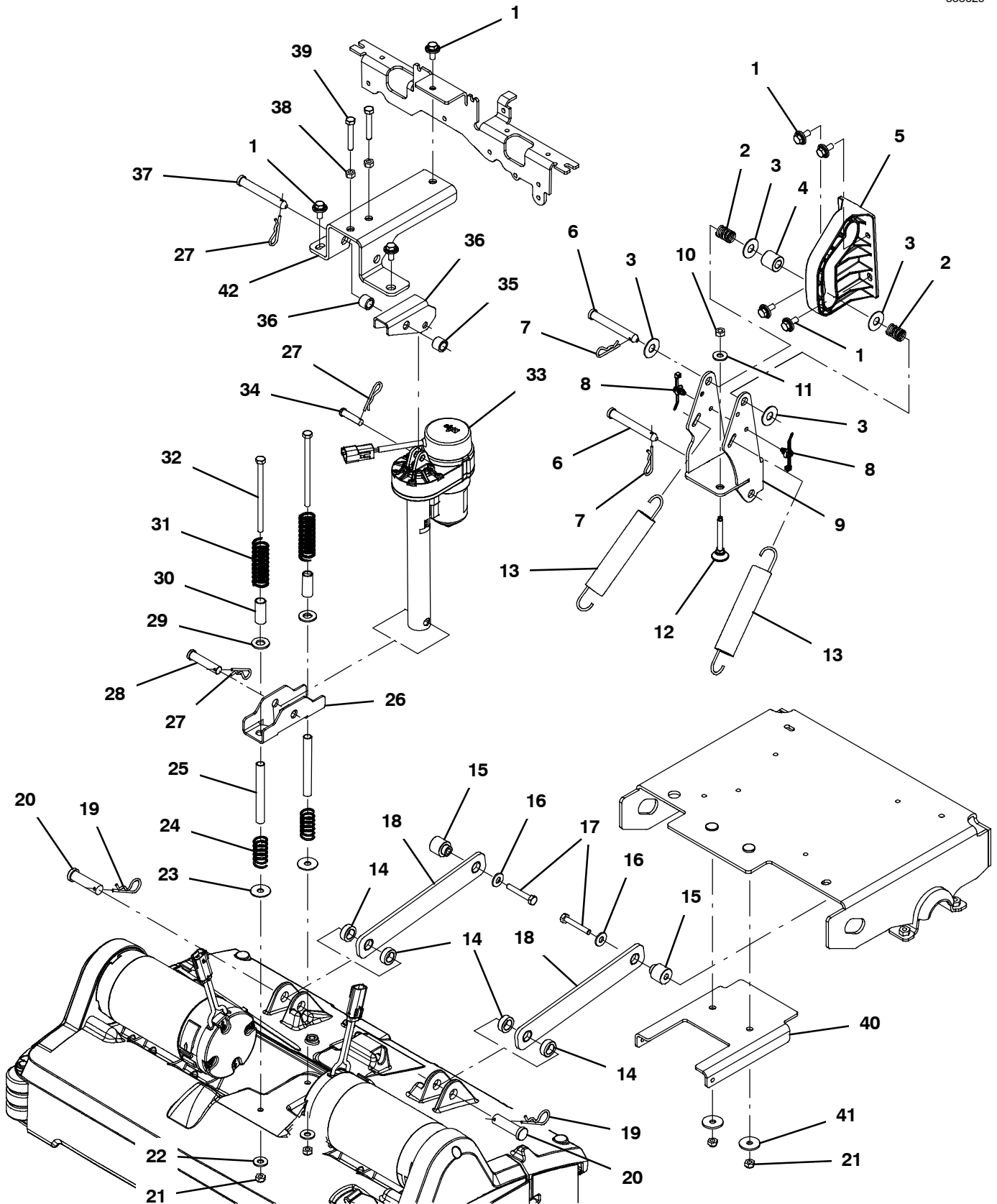


## HEAD LIFT GROUP, DISK

| Ref. | Part No. | Serial Number         | Description  | Qty. |
|------|----------|-----------------------|--|------|
| 1    | 1020341  | (10000000- 20000000 ) | Screw, Hex, M8 X 1.25 X 20, Ss, Sems   | 7    |
| 2    | 1220305  | (10000000- 20000000 ) | Tube, Plstc, 0.51id 0.98od 02.8l   | 1    |
| 3    | 1219912  | (10000000- 20000000 ) | Bracket, Guide, Head[T500]   | 1    |
| 4    | 374225   | (10000000- 20000000 ) | Pin, Clevis, 0.50d X 3.75l   | 2    |
| 5    | 140626   | (10000000- 20000000 ) | Pin, Cotter, Hair, 0.25d .125 Wir  | 2    |
| 6    | 1210807  | (10000000- 20000000 ) | Wire, Tie [W/.25" Fir Tree Clip]   | 2    |
| 7    | 07786    | (10000000- 20000000 ) | Nut, Hex, Std, M8 X 1.25, Ss   | 1    |
| 8    | 01685    | (10000000- 20000000 ) | Washer, Flat, 0.38b 0.88d .08, Ss  | 1    |
| 9    | 1221507  | (10000000- 20000000 ) | Pivot Wldt, Head, Scrub [T500]   | 1    |
| 10   | 1227530  | (10000000- 20000000 ) | Screw, Leveler, M8x75  | 1    |
| 11   | 222363   | (10000000- 20000000 ) | Spring, Extn, 1.23od 0.15wir 06.5l   | 2    |
| 12   | 1235274  | (10000000- 20000000 ) | Spacer, Head   | 4    |
| 13   | 1235275  | (10000000- 20000000 ) | Spacer, Frame  | 2    |
| 14   | 01685    | (10000000- 20000000 ) | Washer, Flat, 0.38b 0.88d .08, Ss  | 2    |
| 15   | 73399    | (10000000- 20000000 ) | Screw, Hex, M8 X 1.25 X 50, NI, Ss   | 2    |
| 16   | 9016859  | (10000000- 20000000 ) | Arm Assy, Lift, Hd, Scb, Afmkt [T600]  | 2    |
| 17   | 1016331  | (10000000- 20000000 ) | Washer, Flat, 0.34b 1.25d .11, Ss  | 2    |
| 18   | 08713    | (10000000- 20000000 ) | Nut, Hex, Lock, M8 X 1.25, NI, Ss  | 2    |
| 19   | 02942    | (10000000- 20000000 ) | Pin, Hair, Cotter, 0.62d .120 Wir  | 2    |
| 20   | 222210   | (10000000- 20000000 ) | Pin, Clevis, 0.62d X 2.12l   | 2    |
| 21   | 08713    | (10000000- 20000000 ) | Nut, Hex, Lock, M8 X 1.25, NI, Ss  | 2    |
| 22   | 01685    | (10000000- 20000000 ) | Washer, Flat, 0.38b 0.88d .08, Ss  | 2    |
| 23   | 32662    | (10000000- 20000000 ) | Washer, Flat, 0.38b 1.22d .06, Ss  | 4    |
| 24   | 1230697  | (10000000- 20000000 ) | Sleeve, 0.4id .50d 3.2l  | 2    |
| 25   | 1230441  | (10000000- 20000000 ) | Spring, Cmpr, 0.97od .11wir 2.50l<br>(T600e / T600 Models)                         | 2    |
| 25   | 1230442  | (10000000- 20000000 ) | Spring, Cmpr, 0.93od .14wir 2.03l<br>(T600e / T600 Heavy Down Pressure Models)     | 2    |
| 26   | 140626   | (10000000- 20000000 ) | Pin, Cotter, Hair, 0.25d .125 Wir  | 3    |
| 27   | 11211    | (10000000- 20000000 ) | Pin, Clevis, 0.50d X 2.25l   | 1    |
| 28   | 364441   | (10000000- 20000000 ) | Screw, Hex, M8 X 1.25 X 110, Ss  | 2    |
| 29   | 9016971  | (10000000- 20000000 ) | Actuator, Replmt, 36vdc, 04.4strk<br>(T600e Model)                                 | 1    |
| 29   | 9016972  | (10000000- 20000000 ) | Actuator, Replmt, 36vdc, 04.5strk [Hd]<br>(T600e Heavy Down Pressure Model)        | 1    |
| 29   | 9016969  | (10000000- 20000000 ) | Actuator, Replmt, 36vdc, 7.00strk<br>(T600 / T600 Heavy Duty Down Pressure Models) | 1    |
| 30   | 29558    | (10000000- 20000000 ) | Pin, Clevis, 0.37d X 1.50l   | 1    |
| 31   | 1230044  | (10000000- 20000000 ) | Sleeve, 0.50b 0.75d 0.59l  | 2    |
| 32   | 1229682  | (10000000- 20000000 ) | Bracket, Mount, Tilt, Actuator [T600]  | 1    |
| 33   | 374225   | (10000000- 20000000 ) | Pin, Clevis, 0.50d X 3.75l   | 1    |
| 34   | 07786    | (10000000- 20000000 ) | Nut, Hex, Std, M8 X 1.25, Ss   | 2    |
| 35   | 578717   | (10000000- 20000000 ) | Screw, Hex, M8 X 1.25 X 50, FI, Ss   | 2    |
| 36   | 1230097  | (10000000- 20000000 ) | Bracket Wldt, Frame, Stop  | 1    |
| 37   | 1230622  | (10000000- 20000000 ) | Brkt, Spring, Suspension, Head   | 1    |
| 38   | 1229680  | (10000000- 20000000 ) | Bracket Wldt, Mount, Actuator [T600]   | 1    |

HEAD LIFT GROUP, CYLINDRICAL

355629

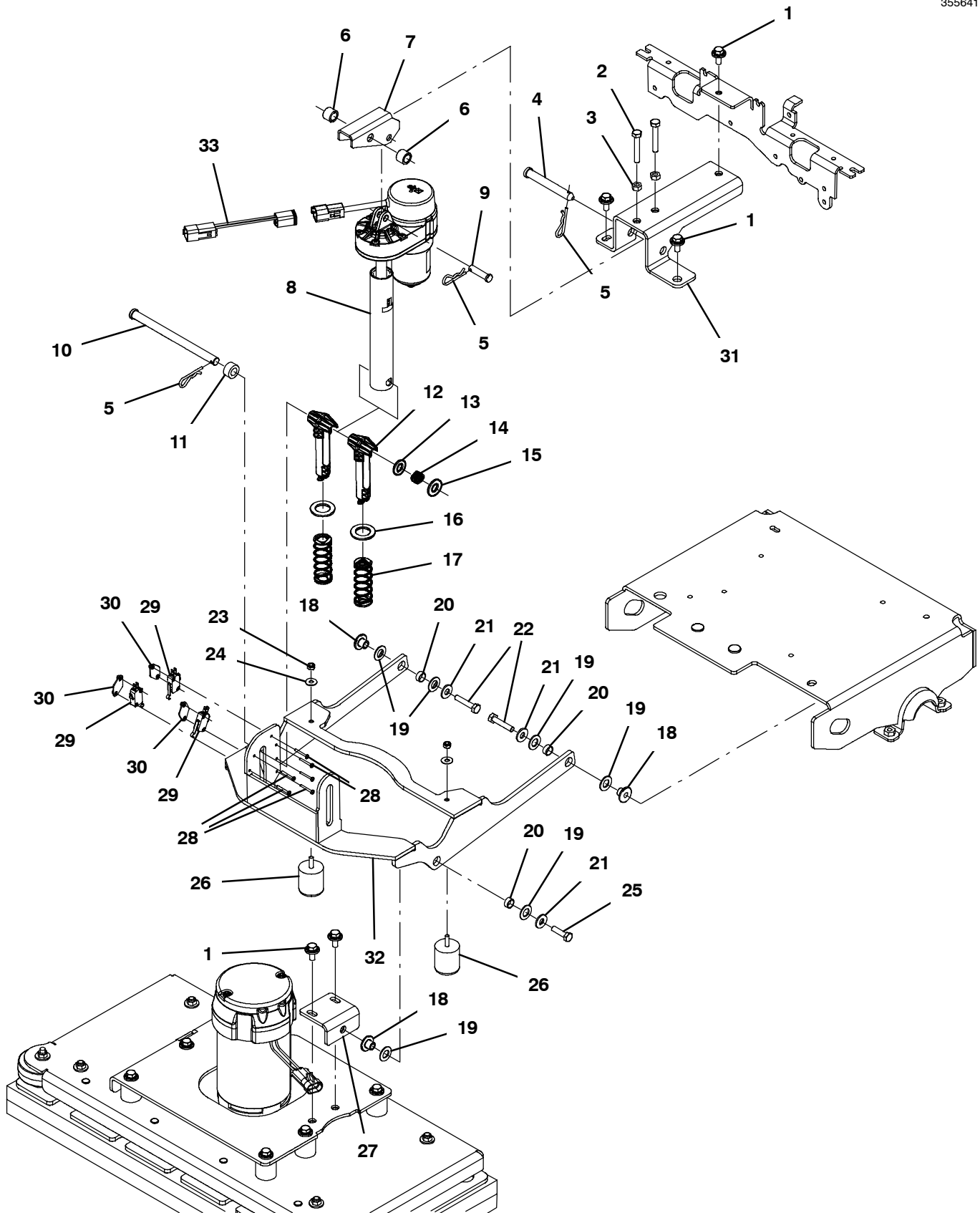


## HEAD LIFT GROUP, CYLINDRICAL

| Ref. | Part No. | Serial Number         | Description                                      | Qty. |
|------|----------|-----------------------|--|------|
| 1    | 1020341  | (10000000- 20000000 ) | Screw, Hex, M8 X 1.25 X 20, Ss, Sems             | 7    |
| 2    | 607920   | (10000000- 20000000 ) | Spring, Cmpr, 0.70od .10wir 01.0l, Mw            | 2    |
| 3    | 140045   | (10000000- 20000000 ) | Washer, Flat, 0.51b 1.25d .06, Ss                | 4    |
| 4    | 1014020  | (10000000- 20000000 ) | Roller, 0.99d 0.50b 0.95l, Acetal                | 1    |
| 5    | 1219912  | (10000000- 20000000 ) | Bracket, Guide, Head[T500]                       | 1    |
| 6    | 374225   | (10000000- 20000000 ) | Pin, Clevis, 0.50d X 3.75l                       | 2    |
| 7    | 140626   | (10000000- 20000000 ) | Pin, Cotter, Hair, 0.25d .125 Wir                | 2    |
| 8    | 1210807  | (10000000- 20000000 ) | Wire, Tie [W/.25" Fir Tree Clip]                 | 2    |
| 9    | 1221507  | (10000000- 20000000 ) | Pivot Wldt, Head, Scrub [T500]                   | 1    |
| 10   | 07786    | (10000000- 20000000 ) | Nut, Hex, Std, M8 X 1.25, Ss                     | 1    |
| 11   | 01685    | (10000000- 20000000 ) | Washer, Flat, 0.38b 0.88d .08, Ss                | 1    |
| 12   | 1227530  | (10000000- 20000000 ) | Screw, Leveler, M8x75                            | 1    |
| 13   | 222363   | (10000000- 20000000 ) | Spring, Extn, 1.23od 0.15wir 06.5l               | 2    |
| 14   | 1235274  | (10000000- 20000000 ) | Spacer, Head                                     | 4    |
| 15   | 1235275  | (10000000- 20000000 ) | Spacer, Frame                                    | 2    |
| 16   | 01685    | (10000000- 20000000 ) | Washer, Flat, 0.38b 0.88d .08, Ss                | 2    |
| 17   | 73399    | (10000000- 20000000 ) | Screw, Hex, M8 X 1.25 X 50, NI, Ss               | 2    |
| 18   | 9016859  | (10000000- 20000000 ) | Arm Assy, Lift, Hd, Scb, Afmkt [T600]            | 2    |
| 19   | 02942    | (10000000- 20000000 ) | Pin, Hair, Cotter, 0.62d .120 Wir                | 2    |
| 20   | 222210   | (10000000- 20000000 ) | Pin, Clevis, 0.62d X 2.12l                       | 2    |
| 21   | 08713    | (10000000- 20000000 ) | Nut, Hex, Lock, M8 X 1.25, NI, Ss                | 4    |
| 22   | 01685    | (10000000- 20000000 ) | Washer, Flat, 0.38b 0.88d .08, Ss                | 2    |
| 23   | 32662    | (10000000- 20000000 ) | Washer, Flat, 0.38b 1.22d .06, Ss                | 2    |
| 24   | 1230754  | (10000000- 20000000 ) | Spring, Cmpr, 0.85od .09wir 1.86l                | 2    |
| 25   | 1219491  | (10000000- 20000000 ) | Sleeve, 0.40id .50d 4.25l, Ss                    | 2    |
| 26   | 1230622  | (10000000- 20000000 ) | Brkt, Spring, Suspension, Head                   | 1    |
| 27   | 140626   | (10000000- 20000000 ) | Pin, Cotter, Hair, 0.25d .125 Wir                | 3    |
| 28   | 11211    | (10000000- 20000000 ) | Pin, Clevis, 0.50d X 2.25l                       | 1    |
| 29   | 32486    | (10000000- 20000000 ) | Washer, Flat, 0.53b 1.06d .10, Stl, PI           | 2    |
| 30   | 1224334  | (10000000- 20000000 ) | Sleeve, P/M, 0.51b 0.63d 1.5l, PI                | 2    |
| 31   | 1230753  | (10000000- 20000000 ) | Spring, Cmpr, 0.97od .11wir 3.1l                 | 2    |
| 32   | 387431   | (10000000- 20000000 ) | Screw, Hex, M8 X 1.25 X 130, Ss                  | 2    |
| 33   | 9016971  | (10000000- 20000000 ) | Actuator, Replmt, 36vdc, 04.4strk (T600e Models) | 1    |
| 33   | 9016969  | (10000000- 20000000 ) | Actuator, Replmt, 36vdc, 7.00strk (T600 Models)  | 1    |
| 34   | 29558    | (10000000- 20000000 ) | Pin, Clevis, 0.37d X 1.50l                       | 1    |
| 35   | 1230044  | (10000000- 20000000 ) | Sleeve, 0.50b 0.75d 0.59l                        | 2    |
| 36   | 1229682  | (10000000- 20000000 ) | Bracket, Mount, Tilt, Actuator [T600]            | 1    |
| 37   | 374225   | (10000000- 20000000 ) | Pin, Clevis, 0.50d X 3.75l                       | 1    |
| 38   | 07786    | (10000000- 20000000 ) | Nut, Hex, Std, M8 X 1.25, Ss                     | 2    |
| 39   | 578717   | (10000000- 20000000 ) | Screw, Hex, M8 X 1.25 X 50, FI, Ss               | 2    |
| 40   | 1234936  | (10000000- 20000000 ) | Bracket, Frame, Cyl, Stop                        | 1    |
| 41   | 1016331  | (10000000- 20000000 ) | Washer, Flat, 0.34b 1.25d .11, Ss                | 1    |
| 42   | 1229680  | (10000000- 20000000 ) | Bracket Wldt, Mount, Actuator [T600]             | 1    |

HEAD LIFT GROUP, ORBITAL

355641

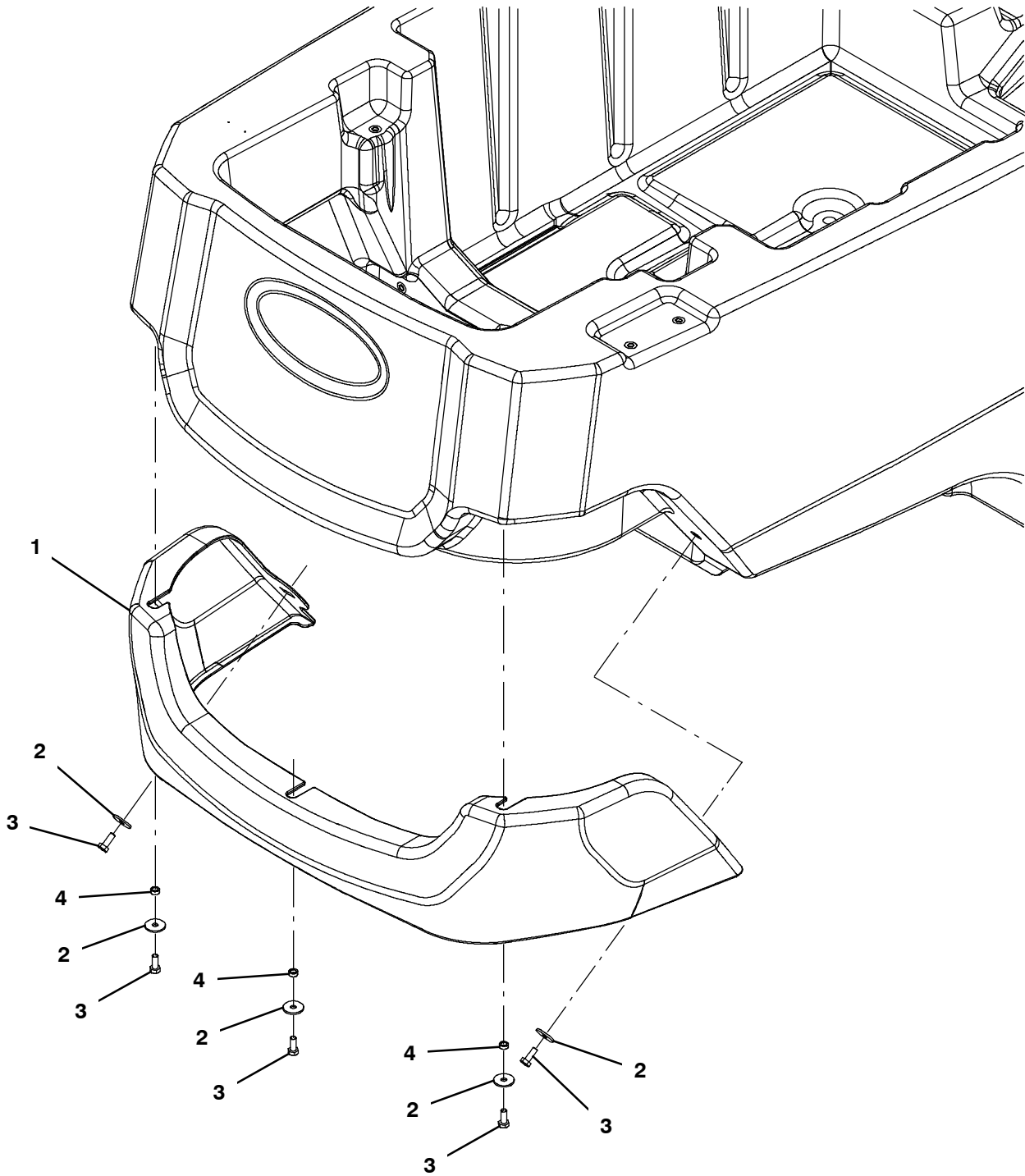


## HEAD LIFT GROUP, ORBITAL

| Ref. | Part No. | Serial Number         | Description  | Qty. |
|------|----------|-----------------------|--|------|
| 1    | 1020341  | (10000000- 20000000 ) | Screw, Hex, M8 X 1.25 X 20, Ss, Sems                   | 5    |
| 2    | 578717   | (10000000- 20000000 ) | Screw, Hex, M8 X 1.25 X 50, Fl, Ss                     | 2    |
| 3    | 07786    | (10000000- 20000000 ) | Nut, Hex, Std, M8 X 1.25, Ss                           | 2    |
| 4    | 374225   | (10000000- 20000000 ) | Pin, Clevis, 0.50d X 3.75l                             | 1    |
| 5    | 140626   | (10000000- 20000000 ) | Pin, Cotter, Hair, 0.25d .125 Wir                      | 3    |
| 6    | 1230044  | (10000000- 20000000 ) | Sleeve, 0.50b 0.75d 0.59l                              | 2    |
| 7    | 1229682  | (10000000- 20000000 ) | Bracket, Mount, Tilt, Actuator [T600]                  | 1    |
| 8    | 9016969  | (10000000- 20000000 ) | Actuator, Replmt, 36vdc, 7.00strk                      | 1    |
| 9    | 29558    | (10000000- 20000000 ) | Pin, Clevis, 0.37d X 1.50l                             | 1    |
| 10   | 1226754  | (10000000- 20000000 ) | Pin, Clevis, .50d X 7.00l                              | 1    |
| 11   | 1226759  | (10000000- 20000000 ) | Spacer, .500 ld X .875 Od                              | 1    |
| 12   | 1224233  | (10000000- 20000000 ) | Pin, Guide, Spring, Head                               | 2    |
| 13   | 1013936  | (10000000- 20000000 ) | Washer, Flat, 0.51b 0.94d .10, Nyl                     | 1    |
| 14   | 1226640  | (10000000- 20000000 ) | Spring, Wave, .512 ld X .709 Od X .375                 | 1    |
| 15   | 32486    | (10000000- 20000000 ) | Washer, Flat, 0.53b 1.06d .10, Stl, Pl                 | 1    |
| 16   | 1225960  | (10000000- 20000000 ) | Washer, Thrust, 0.89b 1.50d 0.13w, Bnz                 | 2    |
| 17   | 1227036  | (10000000- 20000000 ) | Spring, Cmpr, 1.10od .085wir 03.0l                     | 2    |
| 18   | 1059990  | (10000000- 20000000 ) | Sleeve, Flng, 0.32b 1.00/0.50d 0.6l, Ss                | 3    |
| 19   | 608562   | (10000000- 20000000 ) | Washer, Flat, 0.51b 0.94d .06, Nyl                     | 7    |
| 20   | 630188   | (10000000- 20000000 ) | Bearing, Journal, .50id X .25l                         | 4    |
| 21   | 01685    | (10000000- 20000000 ) | Washer, Flat, 0.38b 0.88d .08, Ss                      | 4    |
| 22   | 74440    | (10000000- 20000000 ) | Screw, Hex, M8 X 1.25 X 40, Ni, Ss                     | 2    |
| 23   | 08712    | (10000000- 20000000 ) | Nut, Hex, Lock, M6 X 1.00, Ni, Ss                      | 2    |
| 24   | 01684    | (10000000- 20000000 ) | Washer, Flat, 0.27b 0.69d .05, Ss                      | 2    |
| 25   | 1016399  | (10000000- 20000000 ) | Screw, Hex, M8 X 1.25 X 30, Ni, Ss                     | 2    |
| 26   | 1061741  | (10000000- 20000000 ) | Isolator, Neoprene, 1.25" X 1.25", M8                  | 2    |
| 27   | 1224295  | (10000000- 20000000 ) | Brkt Wldt, Lift  | 1    |
| 28   | 33933    | (10000000- 20000000 ) | Screw, Pan, Phl, M3 X 0.50 X 25, Ss                    | 4    |
| 29   | 1215716  | (10000000- 20000000 ) | Switch, 0.1a, Spdt[Micro, Gold Contacts] (T600e Model) | 2    |
| 29   | 1215716  | (10000000- 20000000 ) | Switch, 0.1a, Spdt[Micro, Gold Contacts] (T600 Model)  | 3    |
| 30   | 1013705  | (10000000- 20000000 ) | Plate, Thread, Switch, M3 Nut, 96hr Pl (T600e Model)   | 2    |
| 30   | 1013705  | (10000000- 20000000 ) | Plate, Thread, Switch, M3 Nut, 96hr Pl (T600 Model)    | 3    |
| 31   | 1229680  | (10000000- 20000000 ) | Bracket Wldt, Mount, Actuator [T600]                   | 1    |
| 32   | 1221043  | (10000000- 20000000 ) | Arm Wldt, Lift   | 1    |
| 33   | 1076594  | (10959723- 20000000 ) | Cable 1/0ga 24.9l Blk[M12 Flag/M12 Flag] (T600e Model) | 1    |

SHROUD GROUP, DISK AND ORBITAL

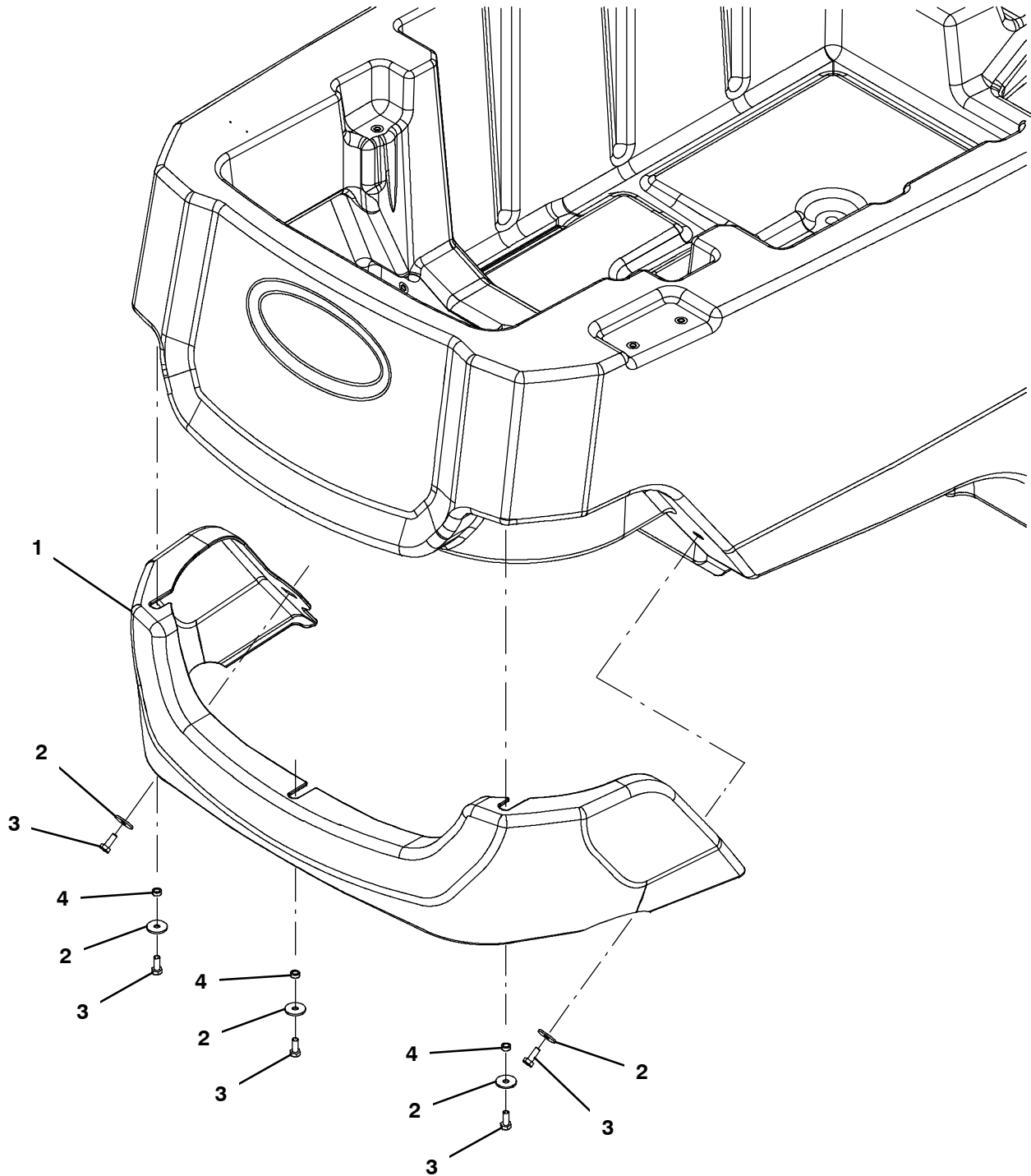
355604



| Ref. | Part No. | Serial Number        | Description                              | Qty. |
|------|----------|----------------------|--|------|
| 1    | 1226928  | (10000000-20000000 ) | Cover, Head, Disc [T600]                 | 1    |
| 2    | 19680127 | (10000000-20000000 ) | Washer, Flat, 6.2mm Id X 22.0mm Od X 1.9 | 5    |
| 3    | 11329    | (10000000-20000000 ) | Screw, Hex, M6 X 1.00 X 16, NI, Ss       | 5    |
| 4    | 80491    | (10000000-20000000 ) | Sleeve, P/M, 0.25b 0.38d 0.2l [430ss]    | 3    |

SHROUD GROUP, CYLINDRICAL

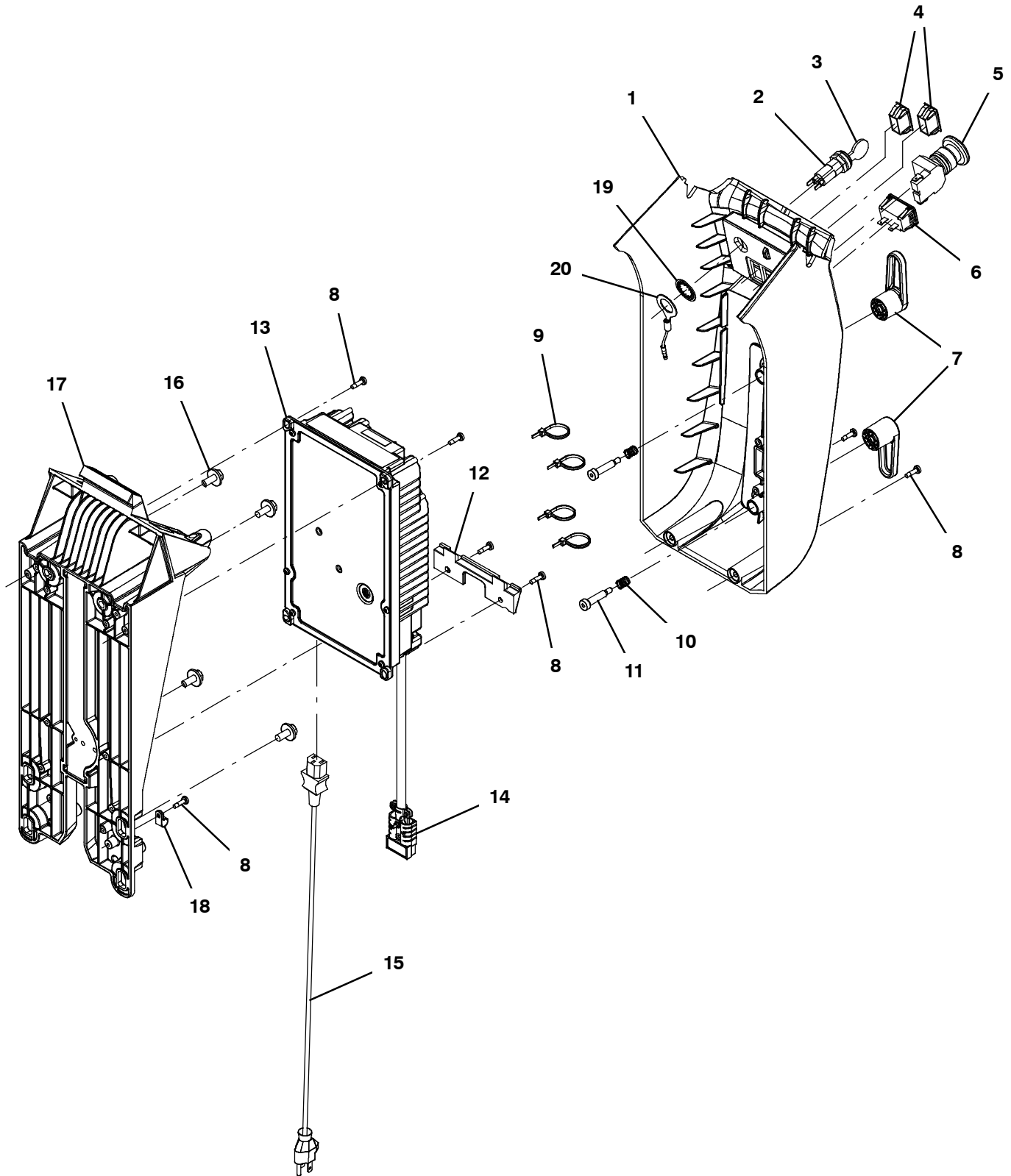
355605



| Ref. | Part No. | Serial Number         | Description                              | Qty. |
|------|----------|-----------------------|--|------|
| 1    | 1230034  | (10000000- 20000000 ) | Cover, Head, Cylrcl [T600]               | 1    |
| 2    | 19680127 | (10000000- 20000000 ) | Washer, Flat, 6.2mm Id X 22.0mm Od X 1.9 | 5    |
| 3    | 11329    | (10000000- 20000000 ) | Screw, Hex, M6 X 1.00 X 16, NI, Ss       | 5    |
| 4    | 80491    | (10000000- 20000000 ) | Sleeve, P/M, 0.25b 0.38d 0.2l [430ss]    | 3    |

LOWER CONSOLE GROUP, ON-BOARD CHARGER

355608





LOWER CONSOLE GROUP, ON-BOARD CHARGER

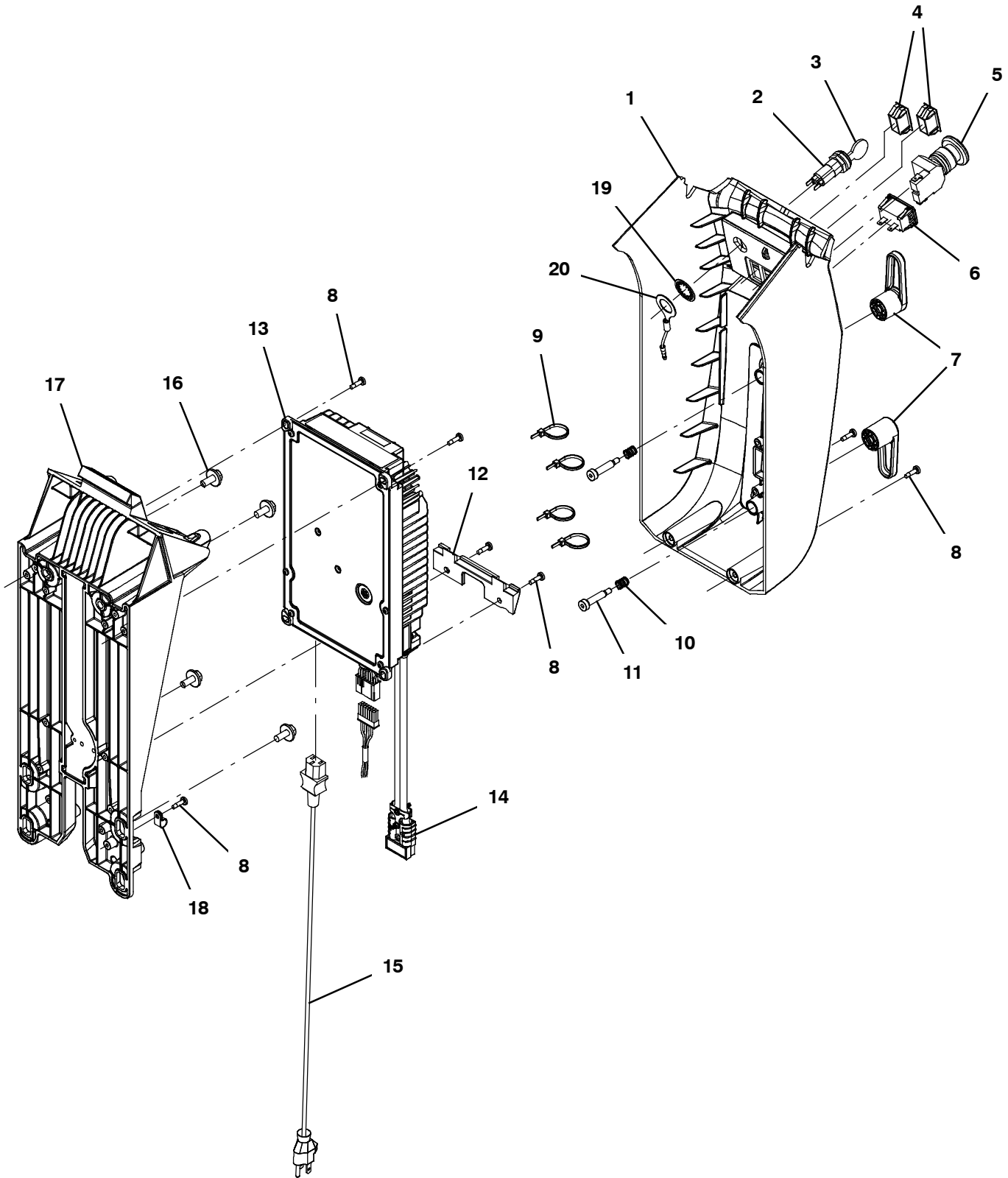
| Ref. | Part No. | Serial Number         | Description  | Qty. |
|------|----------|-----------------------|--|------|
| 1    | 9016861  | (10000000- 20000000 ) | Cover, Console, Afmkt [T600, Na] (With Labels)   | 1    |
| 1    | 9016862  | (10000000- 20000000 ) | Cover, Console, Afmkt [T600, Ce] (Brazil) (With Labels)  | 1    |
| ▽    | 2        | 1011402               | (10000000- 20000000 ) Switch, Key  | 1    |
| ▲    | 3        | 1017696               | (10000000- 20000000 ) Key Set, Replmt [F/ Keyswitch 1011402]   | 1    |
| 4    | 582150   | (10000000- 20000000 ) | Plug, Hole, Rt, 1.23 X 1.12, Nyl   | 2    |
| 5    | 1011735  | (10000000- 20000000 ) | Switch, Safety, Shutoff  | 1    |
| 6    | 1064038  | (10000000- 20000000 ) | Gauge, Hourmeter, 05- 277 Volt, Ac / Dc  | 1    |
| 7    | 1205496  | (10000000- 20000000 ) | Hook, Cord   | 2    |
| 8    | 1043573  | (10000000- 20000000 ) | Screw, #10- 14 X 0.675, Spl[Shcs,Selftap]  | 9    |
| 9    | 130773   | (10000000- 20000000 ) | Tie, Cable, Nyl, 11.0l, .14w, 3.0 Max. D   | 4    |
| 10   | 611311   | (10000000- 20000000 ) | Spring, Cmpr, 0.40od .05wir 00.5l, Pl,Mw   | 2    |
| 11   | 1024965  | (10000000- 20000000 ) | Bolt, Shld, 08mmd X 030mm, M06 X 1.0   | 2    |
| 12   | 1231133  | (10000000- 20000000 ) | Bracket, Mtg, Chrgr, Plastic   | 1    |
| ▽    | 13       | 1229621               | (10000000- 20000000 ) Charger, 36vdc 900w 100- 240vac [On Brd]<br>(Standard Charger - NOT For Use With TPPL Batteries) | 1    |
| ▽    | 13       | 1229475               | (10000000- 20000000 ) Charger 36vdc 1200w 100- 240vac [On Brd]<br>(High Output Charger for TPPL Batteries 1238358)     | 1    |
| ▲    | 14       | 130155                | (10000000- 20000000 ) Connector, Battery, 6ga 50a, Gray[2cont]   | 1    |
| 15   | 1025642  | (10000000- 20000000 ) | Cord, Power, 16/3, 15ft Blk [Us]   | 1    |
| 16   | 1020341  | (10000000- 20000000 ) | Screw, Hex, M8 X 1.25 X 20, Ss, Sems   | 4    |
| 17   | 1231373  | (10000000- 20000000 ) | Frame, Column, Cntrl [Im], T600  | 1    |
| 18   | 26395- 2 | (10000000- 20000000 ) | Clamp, Cable, Stl, 0.38d X 0.38w, 1hole  | 1    |
| 19   | 32991    | (10000000- 20000000 ) | Washer, Lock, Int, 0.75  | 1    |
| 20   | 1073037  | (10000000- 20000000 ) | Harness, Ele [Key Sw.,Static Gnd]  | 1    |

▽ ASSEMBLY

▲ INCLUDED IN ASSEMBLY

LOWER CONSOLE GROUP, ON-BOARD CHARGER (LITHIUM-ION)

355750



## LOWER CONSOLE GROUP, ON- BOARD CHARGER (LITHIUM-ION)

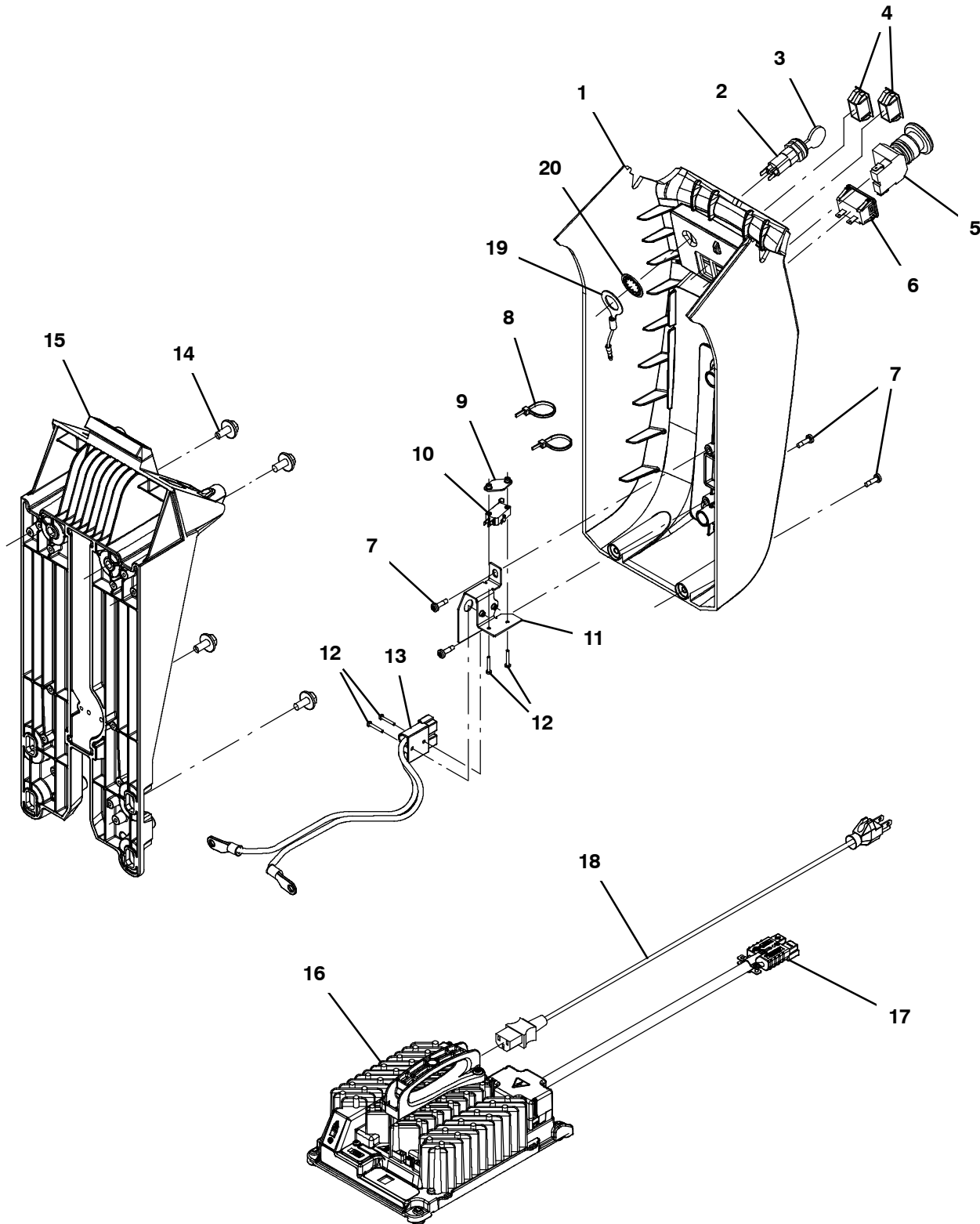
| Ref. | Part No. | Serial Number | Description   | Qty. |
|------|----------|---------------|---|------|
|      | 1        | 9016861       | (10000000- 20000000 ) Cover, Console, Afmkt [T600, Na] (With Labels)  | 1    |
| ▽    | 2        | 1011402       | (10000000- 20000000 ) Switch, Key   | 1    |
| ▲    | 3        | 1017696       | (10000000- 20000000 ) Key Set, Replmt [F/ Keyswitch 1011402]  | 1    |
|      | 4        | 582150        | (10000000- 20000000 ) Plug, Hole, Rt, 1.23 X 1.12, Nyl  | 2    |
|      | 5        | 1011735       | (10000000- 20000000 ) Switch, Safety, Shutoff   | 1    |
|      | 6        | 1064038       | (10000000- 20000000 ) Gauge, Hourmeter, 05- 277 Volt, Ac / Dc   | 1    |
|      | 7        | 1205496       | (10000000- 20000000 ) Hook, Cord  | 2    |
|      | 8        | 1043573       | (10000000- 20000000 ) Screw, #10- 14 X 0.675, Spl[Shcs,Selftap]   | 9    |
|      | 9        | 130773        | (10000000- 20000000 ) Tie, Cable, Nyl, 11.0l, .14w, 3.0 Max. D  | 4    |
|      | 10       | 611311        | (10000000- 20000000 ) Spring, Cmpr, 0.40od .05wir 00.5l, Pl,Mw  | 2    |
|      | 11       | 1024965       | (10000000- 20000000 ) Bolt, Shld, 08mmd X 030mm, M06 X 1.0  | 2    |
|      | 12       | 1231133       | (10000000- 20000000 ) Bracket, Mtg, Chrgr, Plastic  | 1    |
| ▽    | 13       | 1242863       | (10000000- 20000000 ) Charger 36vdc 900w 100- 240vac [On Brd]<br>(Standard Charger for Lithium- Ion Batteries 9019373,<br>9019374, and 9019375)     | 1    |
| ▽    | 13       | 1242862       | (10000000- 20000000 ) Charger 36vdc 1200w 100- 240vac [On Brd]<br>(High Output Charger for Lithium- Ion Batteries 9019373,<br>9019374, and 9019375) | 1    |
| ▲    | 14       | 22892         | (10000000- 20000000 ) Connector, Anderson, 175a, Gray   | 1    |
|      | 15       | 1025642       | (10000000- 20000000 ) Cord, Power, 16/3, 15ft Blk [Us]  | 1    |
|      | 16       | 1020341       | (10000000- 20000000 ) Screw, Hex, M8 X 1.25 X 20, Ss, Sems  | 4    |
|      | 17       | 1231373       | (10000000- 20000000 ) Frame, Column, Cntrl [Im], T600   | 1    |
|      | 18       | 26395- 2      | (10000000- 20000000 ) Clamp, Cable, Stl, 0.38d X 0.38w, 1hole   | 1    |
|      | 19       | 32991         | (10000000- 20000000 ) Washer, Lock, Int, 0.75   | 1    |
|      | 20       | 1073037       | (10000000- 20000000 ) Harness, Ele [Key Sw.,Static Gnd]   | 1    |

▽ ASSEMBLY

▲ INCLUDED IN ASSEMBLY

LOWER CONSOLE GROUP, OFF-BOARD CHARGER

355609



## LOWER CONSOLE GROUP, OFF- BOARD CHARGER

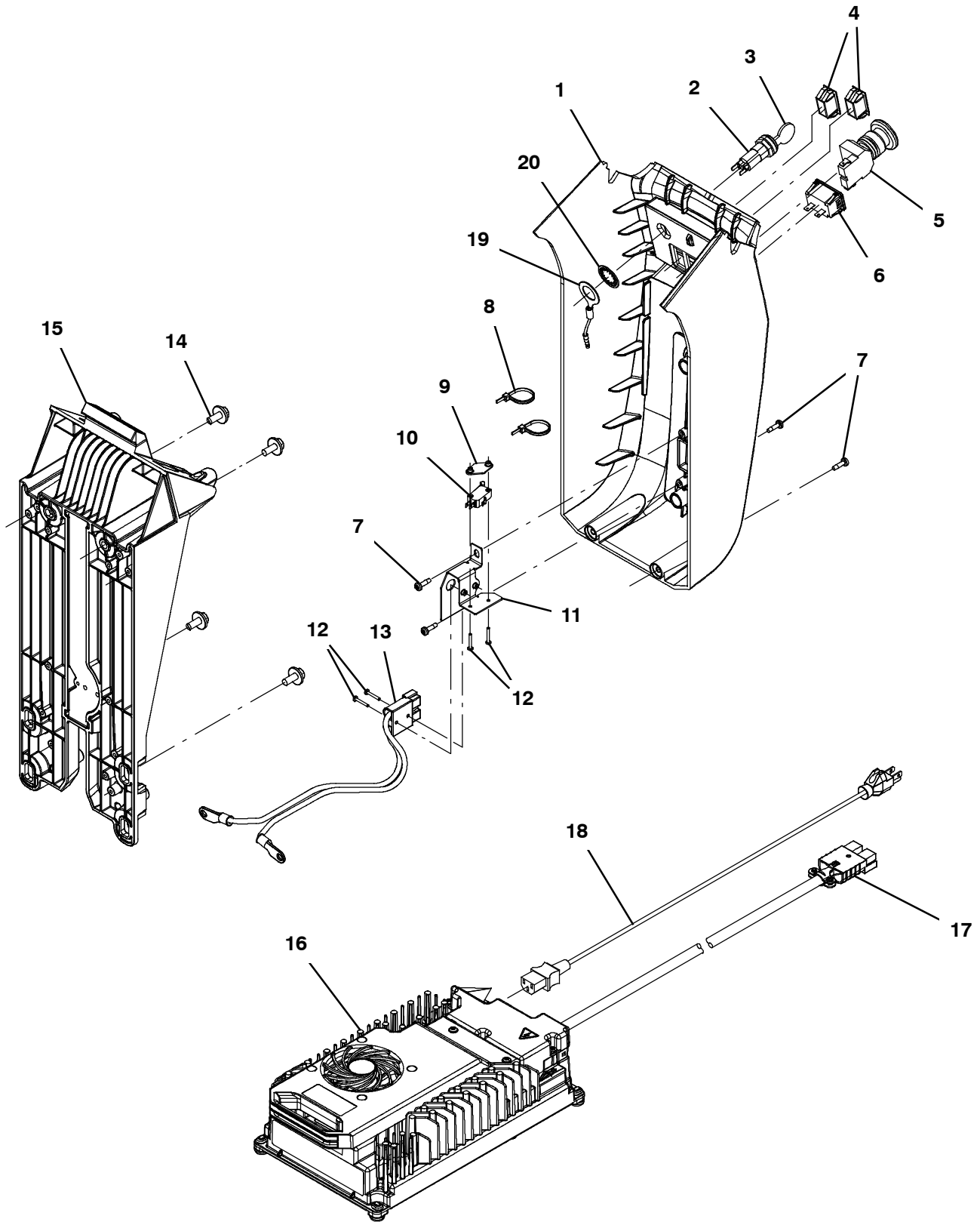
| Ref. | Part No. | Serial Number         | Description  | Qty. |
|------|----------|-----------------------|--|------|
| 1    | 9016861  | (10000000- 20000000 ) | Cover, Console, Afmkt [T600, Na] (With Labels)                 | 1    |
| 1    | 9016862  | (10000000- 20000000 ) | Cover, Console, Afmkt [T600, Ce] (Brazil) (With Labels)        | 1    |
| ▽    | 2        | 1011402               | (10000000- 20000000 ) Switch, Key                              | 1    |
| ▲    | 3        | 1017696               | (10000000- 20000000 ) Key Set, Replmt [F/ Keyswitch 1011402]   | 1    |
| 4    | 582150   | (10000000- 20000000 ) | Plug, Hole, Rt, 1.23 X 1.12, Nyl                               | 2    |
| 5    | 1011735  | (10000000- 20000000 ) | Switch, Safety, Shutoff  | 1    |
| 6    | 1064038  | (10000000- 20000000 ) | Gauge, Hourmeter, 05- 277 Volt, Ac / Dc                        | 1    |
| 7    | 1043573  | (10000000- 20000000 ) | Screw, #10- 14 X 0.675, Spl[Shcs,Selftap]                      | 6    |
| 8    | 130773   | (10000000- 20000000 ) | Tie, Cable, Nyl, 11.0l, .14w, 3.0 Max. D                       | 2    |
| 9    | 1013705  | (10000000- 20000000 ) | Plate, Thread, Switch, M3 Nut, 96hr PI                         | 1    |
| 10   | 1215716  | (10000000- 20000000 ) | Switch, 0.1a, Spdt[Micro, Gold Contacts]                       | 1    |
| 11   | 1208599  | (10000000- 20000000 ) | Bracket Assy, Plug, Charger                                    | 1    |
| 12   | 06922    | (10000000- 20000000 ) | Screw, Pan, Phl, M3 X 0.50 X 20, 4.8                           | 4    |
| 13   | 1075458  | (10000000- 20000000 ) | Harness, Chrgr, 10ga [M8 Ring/M8 Ring]                         | 1    |
| 14   | 1020341  | (10000000- 20000000 ) | Screw, Hex, M8 X 1.25 X 20, Ss, Sems                           | 4    |
| 15   | 1231373  | (10000000- 20000000 ) | Frame, Column, Cntrl [Im], T600                                | 1    |
| ▽    | 16       | 9042253               | (10000000- 20000000 ) Charger Assy, Off Board [T600/T600e]     | 1    |
| ▲    | 17       | 130155                | (10000000- 20000000 ) Connector, Battery, 6ga 50a, Gray[2cont] | 1    |
| 18   | 1025642  | (10000000- 20000000 ) | Cord, Power, 16/3, 15ft Blk [Us]                               | 1    |
| 19   | 1073037  | (10000000- 20000000 ) | Harness, Ele [Key Sw.,Static Gnd]                              | 1    |
| 20   | 32991    | (10000000- 20000000 ) | Washer, Lock, Int, 0.75  | 1    |

▽ ASSEMBLY

▲ INCLUDED IN ASSEMBLY

LOWER CONSOLE GROUP, OFF-BOARD CHARGER (LITHIUM-ION)

355751



## LOWER CONSOLE GROUP, OFF- BOARD CHARGER (LITHIUM- ION)

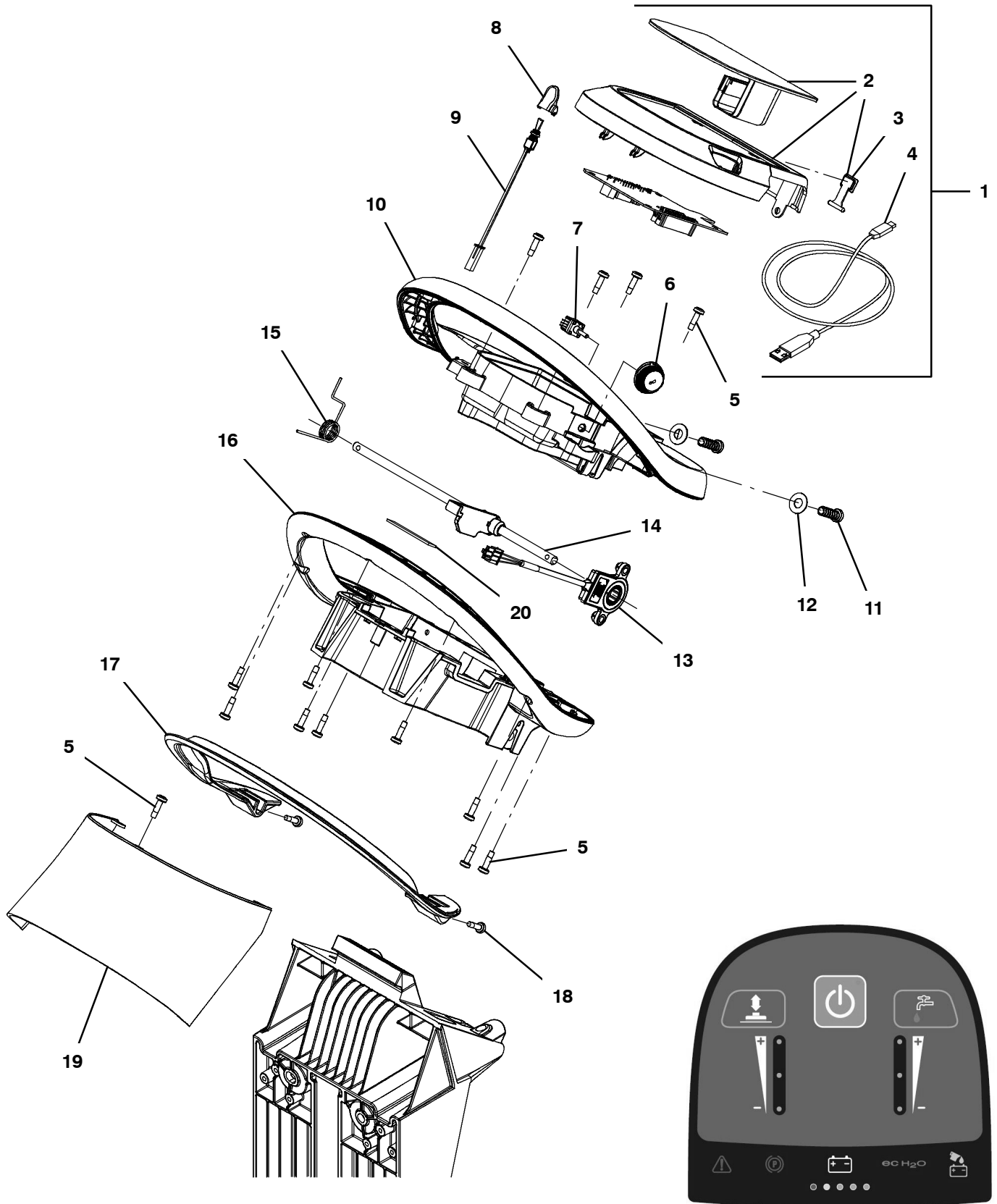
| Ref. | Part No. | Serial Number | Description  | Qty. |
|------|----------|---------------|--|------|
|      | 1        | 9016861       | (10000000- 20000000 ) Cover, Console, Afmkt [T600, Na] (With Labels)   | 1    |
| ▽    | 2        | 1011402       | (10000000- 20000000 ) Switch, Key  | 1    |
| ▲    | 3        | 1017696       | (10000000- 20000000 ) Key Set, Replmt [F/ Keyswitch 1011402]   | 1    |
|      | 4        | 582150        | (10000000- 20000000 ) Plug, Hole, Rt, 1.23 X 1.12, Nyl   | 2    |
|      | 5        | 1011735       | (10000000- 20000000 ) Switch, Safety, Shutoff  | 1    |
|      | 6        | 1064038       | (10000000- 20000000 ) Gauge, Hourmeter, 05- 277 Volt, Ac / Dc  | 1    |
|      | 7        | 1043573       | (10000000- 20000000 ) Screw, #10- 14 X 0.675, Spl[Shcs,Selftap]  | 6    |
|      | 8        | 130773        | (10000000- 20000000 ) Tie, Cable, Nyl, 11.0l, .14w, 3.0 Max. D   | 2    |
|      | 9        | 1013705       | (10000000- 20000000 ) Plate, Thread, Switch, M3 Nut, 96hr PI   | 1    |
|      | 10       | 1215716       | (10000000- 20000000 ) Switch, 0.1a, Spdt[Micro, Gold Contacts]   | 1    |
|      | 11       | 1208599       | (10000000- 20000000 ) Bracket Assy, Plug, Charger  | 1    |
|      | 12       | 06922         | (10000000- 20000000 ) Screw, Pan, Phl, M3 X 0.50 X 20, 4.8   | 4    |
|      | 13       | 1075458       | (10000000- 20000000 ) Harness, Chrgr, 10ga [M8 Ring/M8 Ring]   | 1    |
|      | 14       | 1020341       | (10000000- 20000000 ) Screw, Hex, M8 X 1.25 X 20, Ss, Sems   | 4    |
|      | 15       | 1231373       | (10000000- 20000000 ) Frame, Column, Cntrl [Im], T600  | 1    |
| ▽    | 16       | 1242864       | (10000000- 20000000 ) Charger 36vdc 900w 100- 240vac [Off Brd]<br>(Standard Charger for Lithium- Ion Batteries 9019373,<br>9019374, and 9019375)     | 1    |
| ▽    | 16       | 1242861       | (10000000- 20000000 ) Charger 36vdc 1200w 100- 240vac [Off Brd]<br>(High Output Charger for Lithium- Ion Batteries 9019373,<br>9019374, and 9019375) | 1    |
| ▲    | 17       | 22892         | (10000000- 20000000 ) Connector, Anderson, 175a, Gray  | 1    |
|      | 18       | 1025642       | (10000000- 20000000 ) Cord, Power, 16/3, 15ft Blk [Us]   | 1    |
|      | 19       | 1073037       | (10000000- 20000000 ) Harness, Ele [Key Sw.,Static Gnd]  | 1    |
|      | 20       | 32991         | (10000000- 20000000 ) Washer, Lock, Int, 0.75  | 1    |

▽ ASSEMBLY

▲ INCLUDED IN ASSEMBLY

CONSOLE HANDLE, MEMBRANE PANEL (T600e MODEL)

355614





## CONSOLE HANDLE, MEMBRANE PANEL (T600e MODEL)

| Ref. | Part No. | Serial Number | Description  | Qty. |
|------|----------|---------------|--|------|
| ▽    | 1        | 9015780*      | (10000000- 20000000 ) Bezel Kit, Membrane, Ci [T500e]                    | 1    |
| ▲▽   | 2        | 9015781       | (10000000- 20000000 ) Screen Kit, Membrane, Ci [T500e]                   | 1    |
| ▲▲   | 3        | 1205618       | (10000000- 20000000 ) Cap, Usb   | 1    |
| ▲    | 4        | 1071235       | (10000000- 20000000 ) Cable [Usb, 2m, A- Male To Mini- B- Male]          | 1    |
|      | 5        | 1043573       | (10000000- 20000000 ) Screw, #10- 14 X 0.675, Spl[Shcs,Selftap]          | 15   |
|      | 6        | 1234365       | (10000000- 20000000 ) Dial, Range, Speed                                 | 1    |
|      | 7        | 1246392       | (10947677- 20000000 ) Potentiometer [100k, 1 Turn, Multi- Mach]          | 1    |
|      | 7        | 1204930       | (10000000- 10947676 ) Potentiometer [100k, 1 Turn] (Replaced by 1246392) | 1    |
|      | 8        | 1209730       | (10000000- 20000000 ) Cap, Toggle, Direction                             | 1    |
|      | 9        | 1209673       | (10000000- 20000000 ) Switch Assy, Toggle, Direction                     | 1    |
|      | 10       | 1203787       | (10000000- 20000000 ) Housing, Handle, Cntrl, Top                        | 2    |
|      | 11       | 1215863       | (10000000- 20000000 ) Screw, Pan, Torx, M8 X 3.5 X 25[Remform]           | 2    |
|      | 12       | 140027        | (10000000- 20000000 ) Washer, Flat, 0.35b 0.75d .04, Ss                  | 3    |
|      | 13       | 1205127       | (10000000- 20000000 ) Sensor, Rotary [B5/B7, Bail Sensor]                | 1    |
|      | 14       | 1205143       | (10000000- 20000000 ) Shaft Assy, Bail, Handle                           | 1    |
|      | 15       | 1205781       | (10000000- 20000000 ) Spring, Return, Bail                               | 1    |
|      | 16       | 1222608       | (10000000- 20000000 ) Housing, Handle, Cntrl, Bottom, Slotted            | 1    |
|      | 17       | 1205778       | (10000000- 20000000 ) Handle, Bail [Machined]                            | 1    |
|      | 18       | 1205799       | (10000000- 20000000 ) Screw, Btn, M5 X 0.8 X 16, 8.8, NI, Torx           | 2    |
|      | 19       | 1207004       | (10000000- 20000000 ) Cover, Handle, Cntrl                               | 1    |
|      | 20       | 1020280       | (10000000- 20000000 ) Seal, Afmkt, Rbr, Clsd, Adh, 01ft                  | 1    |

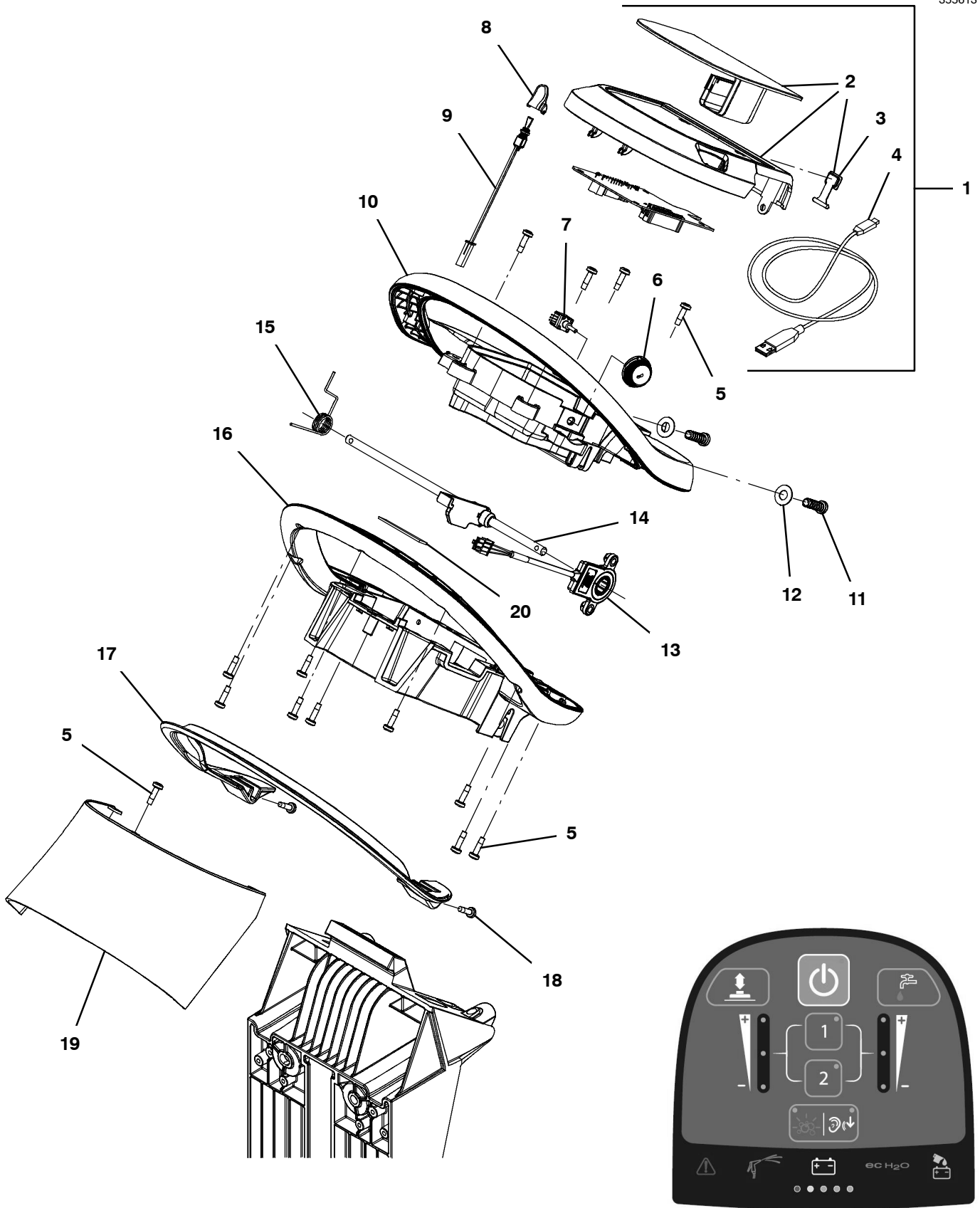
\* Requires Tennant *True* service or an authorized Tennant service provider.

▽ ASSEMBLY

▲ INCLUDED IN ASSEMBLY

CONSOLE HANDLE, PRO-MEMBRANE PANEL (T600 MODEL)

355613



### CONSOLE HANDLE, PRO- MEMBRANE PANEL (T600 MODEL)

| Ref. | Part No. | Serial Number | Description  | Qty. |
|------|----------|---------------|--|------|
| ▽    | 1        | 9015778*      | (10000000- 20000000 ) Bezel Kit, Membrane, Ci [T500]                     | 1    |
| ▲▽   | 2        | 9015779       | (10000000- 20000000 ) Screen Kit, Membrane, Ci [T500]                    | 1    |
| ▲▲   | 3        | 1205618       | (10000000- 20000000 ) Cap, Usb   | 1    |
| ▲    | 4        | 1071235       | (10000000- 20000000 ) Cable [Usb, 2m, A- Male To Mini- B- Male]          | 1    |
|      | 5        | 1043573       | (10000000- 20000000 ) Screw, #10- 14 X 0.675, Spl[Shcs,Selftap]          | 15   |
|      | 6        | 1234365       | (10000000- 20000000 ) Dial, Range, Speed                                 | 1    |
|      | 7        | 1246392       | (10947677- 20000000 ) Potentiometer [100k, 1 Turn, Multi- Mach]          | 1    |
|      | 7        | 1204930       | (10000000- 10947676 ) Potentiometer [100k, 1 Turn] (Replaced by 1246392) | 1    |
|      | 8        | 1209730       | (10000000- 20000000 ) Cap, Toggle, Direction                             | 1    |
|      | 9        | 1209673       | (10000000- 20000000 ) Switch Assy, Toggle, Direction                     | 1    |
|      | 10       | 1203787       | (10000000- 20000000 ) Housing, Handle, Cntrl, Top                        | 2    |
|      | 11       | 1215863       | (10000000- 20000000 ) Screw, Pan, Torx, M8 X 3.5 X 25[Remform]           | 2    |
|      | 12       | 140027        | (10000000- 20000000 ) Washer, Flat, 0.35b 0.75d .04, Ss                  | 3    |
|      | 13       | 1205127       | (10000000- 20000000 ) Sensor, Rotary [B5/B7, Bail Sensor]                | 1    |
|      | 14       | 1205143       | (10000000- 20000000 ) Shaft Assy, Bail, Handle                           | 1    |
|      | 15       | 1205781       | (10000000- 20000000 ) Spring, Return, Bail                               | 1    |
|      | 16       | 1222608       | (10000000- 20000000 ) Housing, Handle, Cntrl, Bottom, Slotted            | 1    |
|      | 17       | 1205778       | (10000000- 20000000 ) Handle, Bail [Machined]                            | 1    |
|      | 18       | 1205799       | (10000000- 20000000 ) Screw, Btn, M5 X 0.8 X 16, 8.8, NI, Torx           | 2    |
|      | 19       | 1207004       | (10000000- 20000000 ) Cover, Handle, Cntrl                               | 1    |
|      | 20       | 1020280       | (10000000- 20000000 ) Seal, Afmkt, Rbr, Clsd, Adh, 01ft                  | 1    |

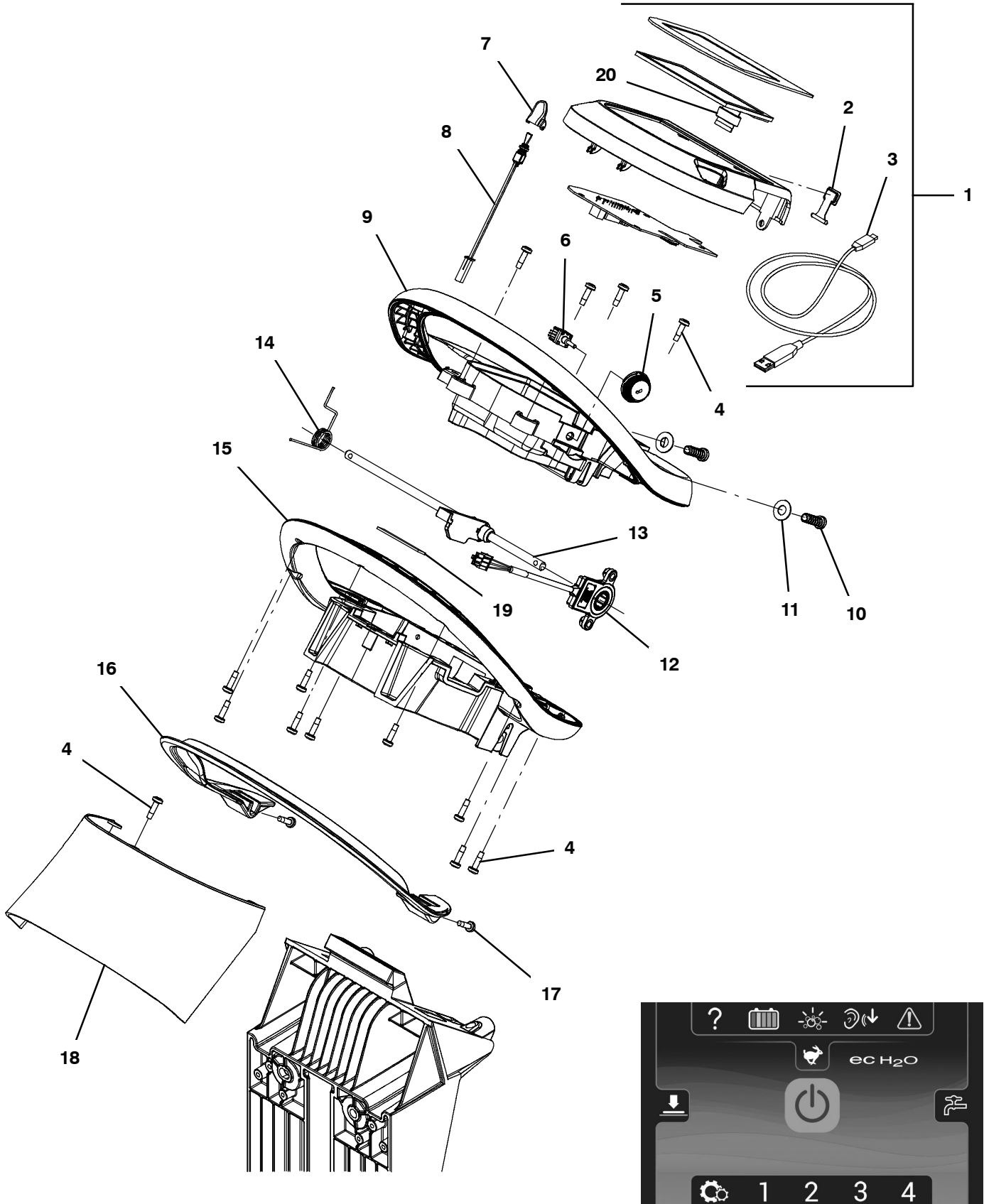
\* Requires Tennant *True* service or an authorized Tennant service provider.

▽ ASSEMBLY

▲ INCLUDED IN ASSEMBLY

CONSOLE HANDLE, PRO-PANEL LCD (T600 MODEL)

355612



## CONSOLE HANDLE, PRO- PANEL LCD (T600 MODEL)

| Ref. | Part No. | Serial Number | Description  | Qty. |
|------|----------|---------------|--|------|
| ▽    | 1        | 9014135*      | (10000000- 20000000 ) Bezel Kit, Propel, Lcd Pro- Panl,Ci<br>(Also Requires Ferrite) | 1    |
| ▲    | 2        | 1205618       | (10000000- 20000000 ) Cap, Usb   | 1    |
| ▲    | 3        | 1071235       | (10000000- 20000000 ) Cable [Usb, 2m, A- Male To Mini- B- Male]                      | 1    |
|      | 4        | 1043573       | (10000000- 20000000 ) Screw, #10- 14 X 0.675, Spl[Shcs,Selftap]                      | 15   |
|      | 5        | 1234365       | (10000000- 20000000 ) Dial, Range, Speed   | 1    |
|      | 6        | 1246392       | (10947677- 20000000 ) Potentiometer [100k, 1 Turn, Multi- Mach]                      | 1    |
|      | 6        | 1204930       | (10000000- 10947676 ) Potentiometer [100k, 1 Turn] (Replaced by 1246392)             | 1    |
|      | 7        | 1209730       | (10000000- 20000000 ) Cap, Toggle, Direction   | 1    |
|      | 8        | 1209673       | (10000000- 20000000 ) Switch Assy, Toggle, Direction                                 | 1    |
|      | 9        | 1203787       | (10000000- 20000000 ) Housing, Handle, Cntrl, Top                                    | 2    |
|      | 10       | 1215863       | (10000000- 20000000 ) Screw, Pan, Torx, M8 X 3.5 X 25[Remform]                       | 2    |
|      | 11       | 140027        | (10000000- 20000000 ) Washer, Flat, 0.35b 0.75d .04, Ss                              | 2    |
|      | 12       | 1205127       | (10000000- 20000000 ) Sensor, Rotary [B5/B7, Bail Sensor]                            | 2    |
|      | 13       | 1205143       | (10000000- 20000000 ) Shaft Assy, Bail, Handle                                       | 1    |
|      | 14       | 1205781       | (10000000- 20000000 ) Spring, Return, Bail   | 1    |
|      | 15       | 1222608       | (10000000- 20000000 ) Housing, Handle, Cntrl, Bottom, Slotted                        | 1    |
|      | 16       | 1205778       | (10000000- 20000000 ) Handle, Bail [Machined]  | 1    |
|      | 17       | 1205799       | (10000000- 20000000 ) Screw, Btn, M5 X 0.8 X 16, 8.8, NI, Torx                       | 2    |
|      | 18       | 1207004       | (10000000- 20000000 ) Cover, Handle, Cntrl   | 1    |
|      | 19       | 1020280       | (10000000- 20000000 ) Seal, Afmkt, Rbr, Clsd, Adh, 01ft                              | 1    |
|      | 20       | 1233769       | (10000000- 20000000 ) Inductor, Ribbon Cable   | 1    |

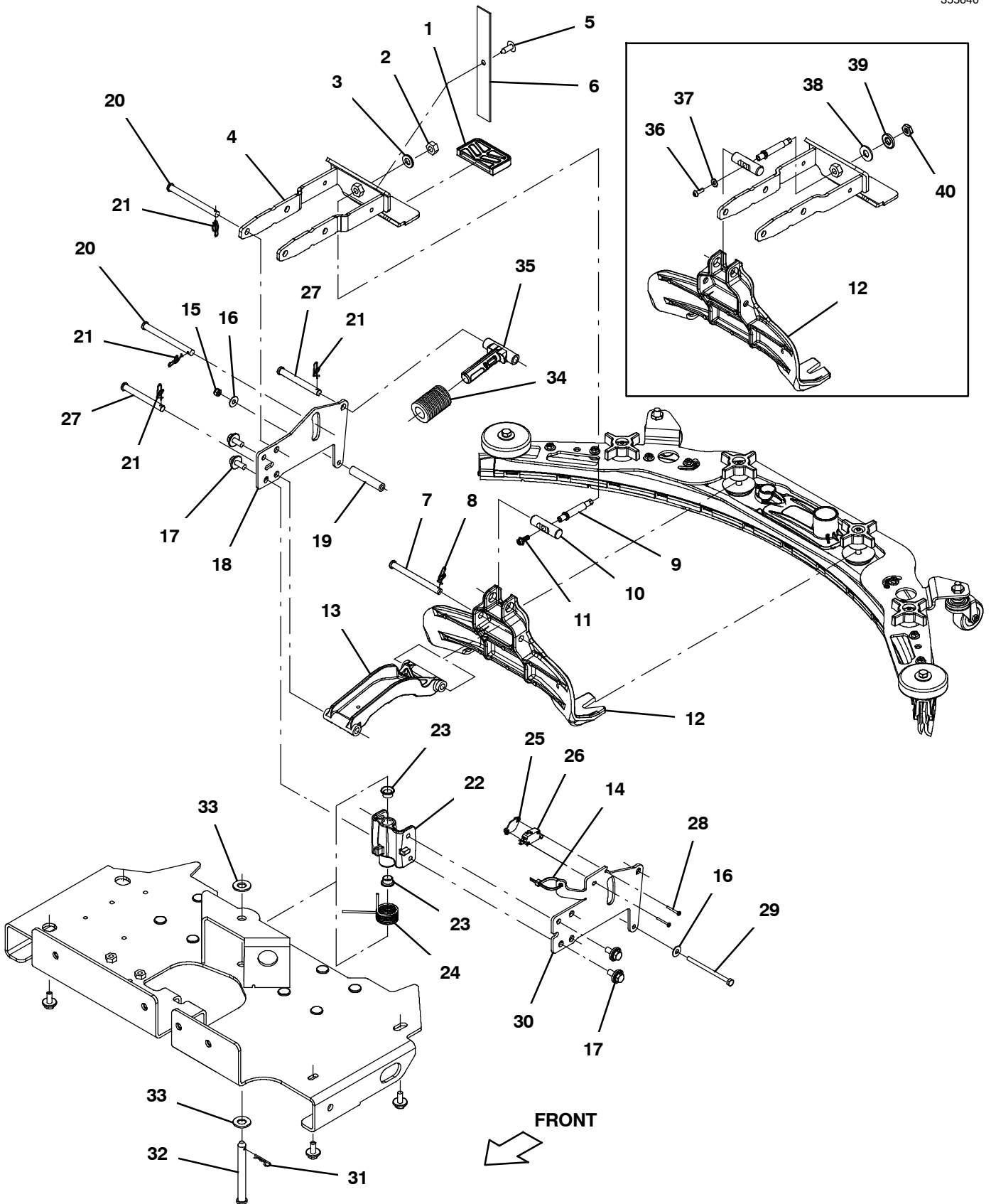
\* Requires Tennant *True* service or an authorized Tennant service provider.

▽ ASSEMBLY

▲ INCLUDED IN ASSEMBLY

SQUEEGEE LIFT GROUP

355640



## SQUEEGEE LIFT GROUP

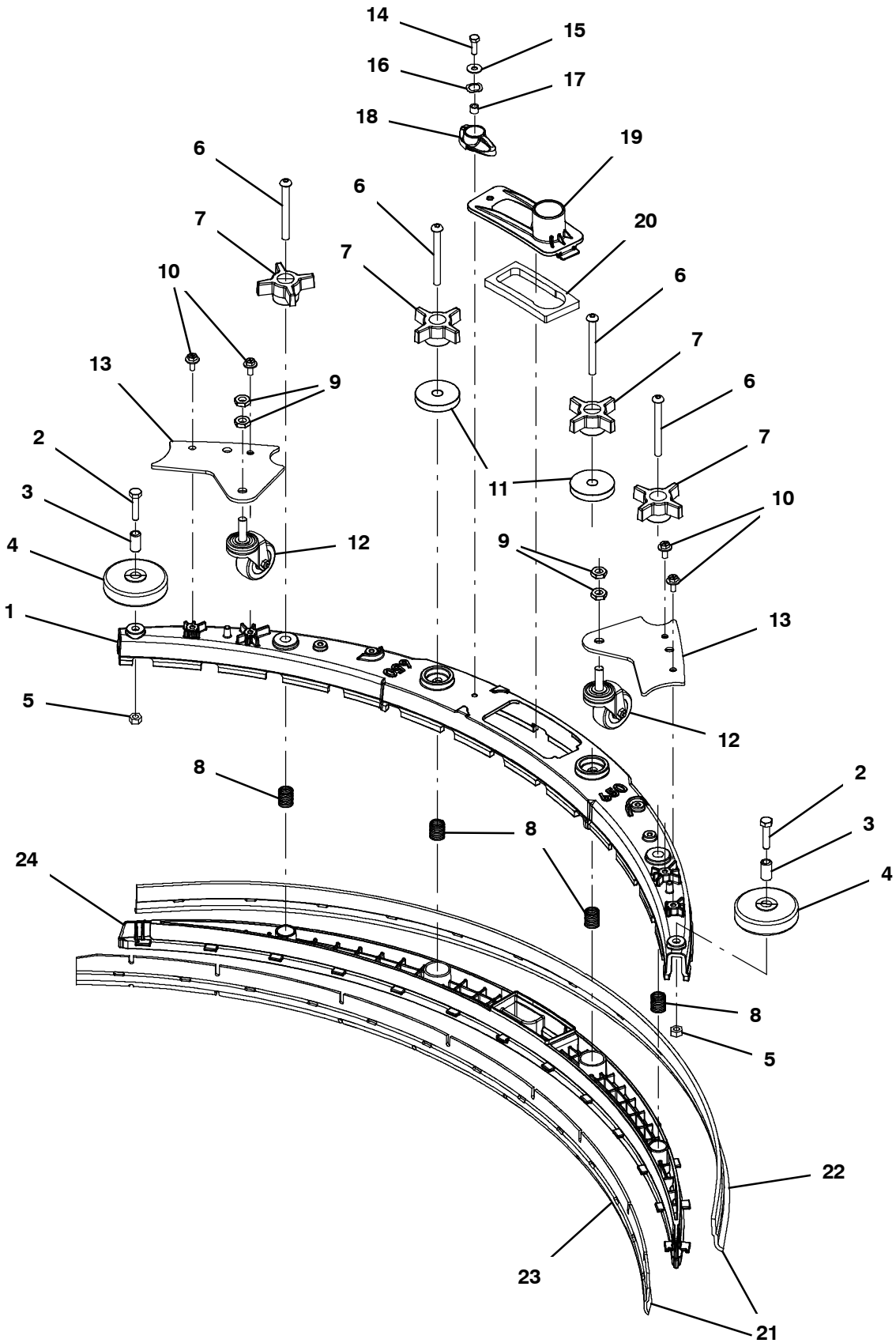
| Ref. | Part No.   | Serial Number         | Description                                      | Qty. |
|------|------------|-----------------------|--|------|
| ▽    | 9018374    | (10000000- 20000000 ) | Kit, Sqge Lift [T600/T600e]                      | 1    |
| ▲    | 1 1230670  | (10000000- 20000000 ) | Cover, Pedal, Lift                               | 1    |
| ▲    | 2 39312    | (10907775- 20000000 ) | Nut, Hex, Std, M10 X 1.50                        | 1    |
| ▲    | 3 1242993  | (10907775- 20000000 ) | Washer, Lock, Ext, M10 [Nord- lock]              | 1    |
| ▲    | 4 9016840  | (10000000- 20000000 ) | Arm, Lift, Sqge, Afmkt [T600,T600e] (With Label) | 1    |
| ▲    | 5 140262   | (10909657- 20000000 ) | Clip, Snap- In                                   | 1    |
| ▲    | 6 1059534  | (10909657- 20000000 ) | Fastener, 09.00l [Hook & Loop]                   | 1    |
| ▲    | 7 49914    | (10000000- 20000000 ) | Pin, Clevis, 0.37d X 4.00l                       | 1    |
| ▲    | 8 1216647  | (10000000- 20000000 ) | Pin, Cotter, Hair, 0.38d .054 Wir                | 1    |
| ▲    | 9 1230714  | (10000000- 20000000 ) | Shaft, Adjmt                                     | 1    |
| ▲    | 10 1230625 | (10000000- 20000000 ) | Pin, 0.63d 02.2l, 1/.34h, 2cham                  | 1    |
| ▲    | 11 1243034 | (10912707- 20000000 ) | Bolt, Flange, M5- 0.8 X 16, 10.9 PI              | 1    |
| ▲    | 12 1242997 | (10907775- 20000000 ) | Mount, Sqge                                      | 1    |
|      | 12 1231340 | (10000000- 10907774 ) | Mount, Sqge (Replaced By 1242997)                | 1    |
| ▲    | 13 1233229 | (10000000- 20000000 ) | Arm, Lower [Machined]                            | 1    |
| ▲    | 14 130773  | (10907775- 20000000 ) | Tie, Cable, Nyl, 11.0l, .14w, 3.0 Max. D         | 1    |
|      | 14 1210807 | (10000000- 10907774 ) | Wire, Tie [W/.25" Fir Tree Clip]                 | 1    |
|      | 15 08712   | (10000000- 20000000 ) | Nut, Hex, Lock, M6 X 1.00, NI, Ss                | 1    |
|      | 16 01684   | (10000000- 20000000 ) | Washer, Flat, 0.27b 0.69d .05, Ss                | 2    |
|      | 17 1020341 | (10000000- 20000000 ) | Screw, Hex, M8 X 1.25 X 20, Ss, Sems             | 4    |
|      | 18 1231347 | (10000000- 20000000 ) | Plate, Lift, Sqge, Rh                            | 1    |
|      | 19 1231343 | (10000000- 20000000 ) | Tube, 0.26id 0.50od 02.6l, Stl, PI               | 1    |
|      | 20 49914   | (10000000- 20000000 ) | Pin, Clevis, 0.37d X 4.00l                       | 2    |
|      | 21 1216647 | (10000000- 20000000 ) | Pin, Cotter, Hair, 0.38d .054 Wir                | 3    |
| ▽    | 22 9016973 | (10000000- 20000000 ) | Pivot Assy, Replmt, Sqge                         | 1    |
| ▲    | 23 15648   | (10000000- 20000000 ) | Bushing, Flng, 0.50b 0.59d 0.38l                 | 2    |
|      | 24 1231436 | (10000000- 20000000 ) | Spring, Tors, 1.10id .13wir 05.5coil             | 1    |
|      | 25 1013705 | (10000000- 20000000 ) | Plate, Thread, Switch, M3 Nut, 96hr PI           | 1    |
|      | 26 1215716 | (10000000- 20000000 ) | Switch, 0.1a, Spdt[Micro, Gold Contacts]         | 1    |
|      | 27 57598   | (10000000- 20000000 ) | Pin, Clevis, 0.37d X 3.25l                       | 2    |
|      | 28 33933   | (10000000- 20000000 ) | Screw, Pan, Phl, M3 X 0.50 X 25, Ss              | 2    |
|      | 29 06952   | (10000000- 20000000 ) | Screw, Hex, M6 X 1.00 X 90, 8.8                  | 1    |
|      | 30 1231335 | (10000000- 20000000 ) | Plate, Lift, Sqge, Lh                            | 1    |
|      | 31 86866   | (10000000- 20000000 ) | Pin, Cotter, Hair, 0.38d .072 Wir                | 1    |
|      | 32 1233450 | (10000000- 20000000 ) | Pin, Clevis, 0.50d X 4.30l                       | 1    |
|      | 33 32486   | (10000000- 20000000 ) | Washer, Flat, 0.53b 1.06d .10, Stl, PI           | 2    |
|      | 34 1228773 | (10000000- 20000000 ) | Spring, Cmpr, 1.402od, .812id, 2.0l              | 1    |
|      | 35 1235860 | (10000000- 20000000 ) | Guide, Spring                                    | 1    |
|      | 36 1205799 | (10000000- 10912706 ) | Screw, Btn, M5 X 0.8 X 16, 8.8, NI, Torx         | 1    |
|      | 37 01683   | (10000000- 10912706 ) | Washer, Flat, 10, Ss                             | 1    |
|      | 38 01686   | (10000000- 10907774 ) | Washer, Flat, 0.44b 1.00d .08, Ss                | 1    |
|      | 39 41187   | (10000000- 10907774 ) | Washer, Flat, Belleville, .38                    | 1    |
|      | 40 32716   | (10000000- 10907774 ) | Nut, Hex, Jam, M10 X 1.5, Ss                     | 1    |

▽ ASSEMBLY

▲ INCLUDED IN ASSEMBLY

SQUEEGEE ASSEMBLY, 650MM / 26IN (Intended for 700MM Scrub Head Size)  
(New Style 9018626)

355743





**SQUEEGEE ASSEMBLY, 650MM / 26IN (Intended for 700MM Scrub Head Size)  
(New Style 9018626)**

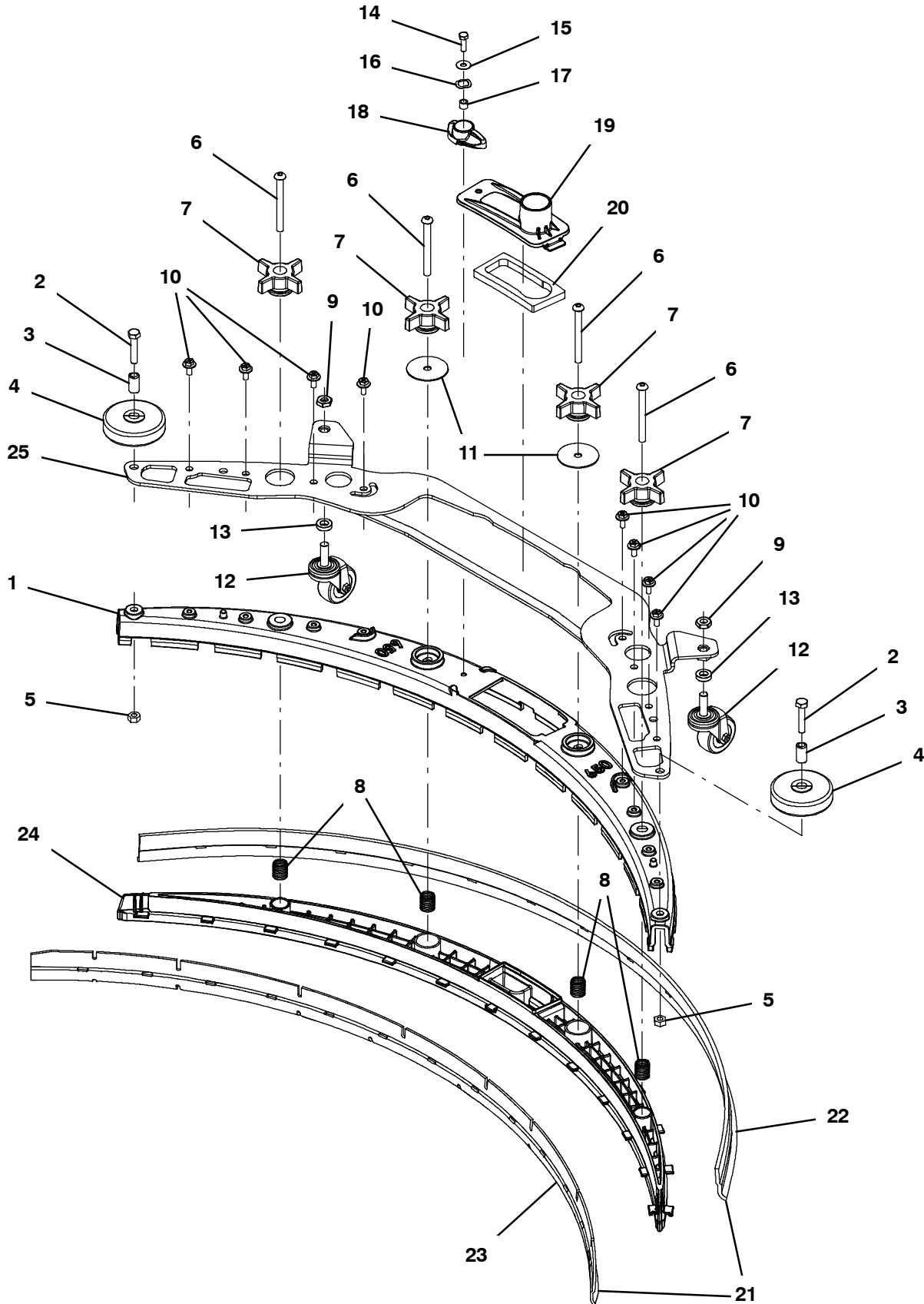
| Ref. | Part No.   | Serial Number       | Description   | Qty. |
|------|------------|---------------------|---|------|
| ▽    | 9018626    | (10964903-20000000) | Squeegee Kit, 650mm [T600]                          | 1    |
| ▲    | 1 1243537  | (10964903-20000000) | Frame, Sqge, 65cm, Mach [T500/T600]                 | 1    |
| ▲    | 2 59658    | (10964903-20000000) | Screw, Hex, M8 X 1.25 X 35, NI, Ss                  | 2    |
| ▲    | 3 222496   | (10000000-20000000) | Sleeve, P/M, 0.32b 0.50d 0.9l [430ss]               | 2    |
| ▲    | 4 222066   | (10000000-20000000) | Wheel, 03.0d 0.88w 0.50b                            | 2    |
| ▲    | 5 07786    | (10000000-20000000) | Nut, Hex, Std, M8 X 1.25, Ss                        | 2    |
| ▲    | 6 1212755  | (10000000-20000000) | Screw, Btn, M8 X 1.25 X 80, Ss                      | 4    |
| ▲    | 7 1074204  | (10000000-20000000) | Knob,Star,2.75d 4ear 1.1l M8x1.25,Thru,Y            | 4    |
| ▲    | 8 22290    | (10000000-20000000) | Spring, Cmpr, 0.72od .06wir 02.3l                   | 4    |
| ▲    | 9 32716    | (10964903-20000000) | Nut, Hex, Jam, M10 X 1.5, Ss                        | 4    |
| ▲    | 10 1034731 | (10964903-20000000) | Screw, Hex, M6 X 1.00 X 16, Sems, Ss                | 4    |
| ▲    | 11 1243735 | (10964903-20000000) | Disc, Friction, Sqge                                | 2    |
| ▲    | 12 1006343 | (10000000-20000000) | Caster, Swivel, 50mmd, M10 X 30, Clr PI             | 2    |
| ▲    | 13 1243364 | (10964903-20000000) | Plate, Caster, Sqge                                 | 2    |
| ▲    | 14 12277   | (10000000-20000000) | Screw, Hex, M6 X 1.00 X 20, NI, Ss                  | 1    |
| ▲    | 15 01684   | (10000000-20000000) | Washer, Flat, 0.27b 0.69d .05, Ss                   | 1    |
| ▲    | 16 140060  | (10000000-20000000) | Washer, Wave- Spring, .505 .750 .045                | 1    |
| ▲    | 17 140154  | (10000000-20000000) | Sleeve, P/M, 0.25b 0.38d 0.3l, PI                   | 1    |
| ▲    | 18 1222109 | (10000000-20000000) | Knob, Sqge, 58l, M6 X 1.00, Plstc                   | 1    |
| ▲    | 19 1209631 | (10000000-20000000) | Cover, Trap, Water, Sqge                            | 1    |
| ▲    | 20 1210756 | (10000000-20000000) | Gasket, Trap, Water, Sqge                           | 1    |
| ▲▽   | 21 9015734 | (10000000-20000000) | Blade Kit, 650mm, Linatex/Linard (Standard)         | 1    |
| ▲▲   | 22 1221585 | (10000000-20000000) | Blade, Sqge, Rear, 1166l, Linatex[650mm] (Standard) | 1    |
| ▲▲   | 23 1232680 | (10000000-20000000) | Blade, Sqge, Front, 1072l Linard[650mm] (Standard)  | 1    |
| ▲    | 24 1221260 | (10000000-20000000) | Retainer, Sqge, 65cm [T500]                         | 1    |
| ▽    | 21 9015735 | (10000000-20000000) | Blade Kit, 650mm, Urethane (Option)                 | 1    |
| ▲    | 22 1228909 | (10000000-20000000) | Blade, Sqge, Rear, 1136l,Urethane[650mm] (Option)   | 1    |
| ▲    | 23 1228915 | (10000000-20000000) | Blade, Sqge, Front,1072l,Urethane[650mm] (Option)   | 1    |
| ▽    | 21 9015733 | (10000000-20000000) | Blade Kit, 650mm, Gum (Option)                      | 1    |
| ▲    | 22 1228910 | (10000000-20000000) | Blade, Sqge, Rear, 1136l, Gum[650mm] (Option)       | 1    |
| ▲    | 23 1228919 | (10000000-20000000) | Blade, Sqge, Front, 1072l Gum[650mm] (Option)       | 1    |

▽ ASSEMBLY

▲ INCLUDED IN ASSEMBLY

**SQUEEGEE ASSEMBLY, 650MM / 26IN (Intended for 700MM Scrub Head Size)  
(Upgraded Style 9018098 - Replaced By 9018626)**

355710



**SQUEEGEE ASSEMBLY, 650MM / 26IN (Intended for 700MM Scrub Head Size)  
(Upgraded Style 9018098 - Replaced By 9018626)**

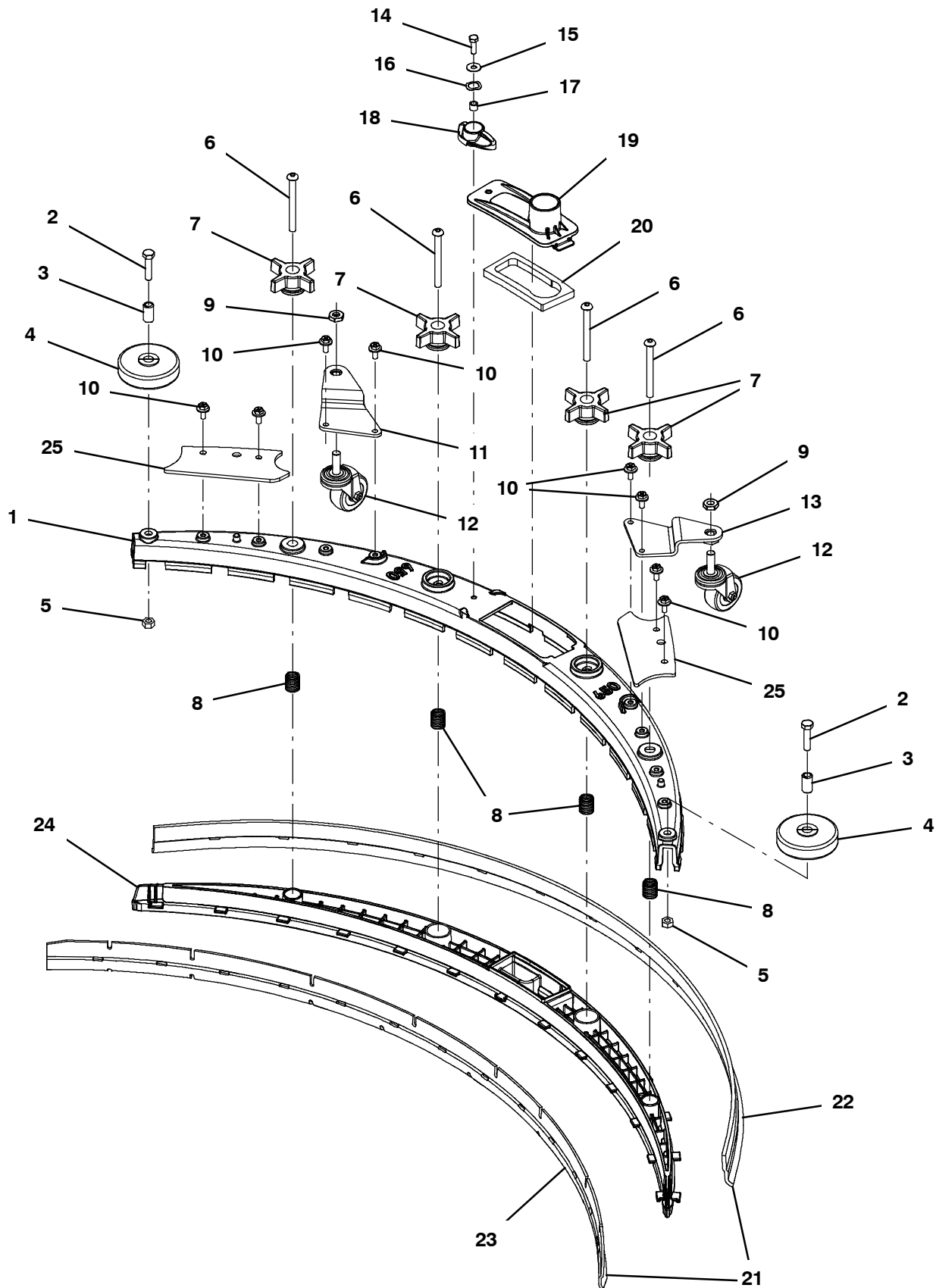
| Ref. | Part No.   | Serial Number         | Description   | Qty. |
|------|------------|-----------------------|---|------|
| ▽    | 9018098    | (10000000- 10964902 ) | Squeegee Kit, 650mm (Replaced By 9018626)               | 1    |
| ▲    | 1 1221259  | (10000000- 10964902 ) | Frame, Sqge, 65cm, Mach [T500]<br>(Replaced By 9018626) | 1    |
| ▲    | 2 74440    | (10000000- 10964902 ) | Screw, Hex, M8 X 1.25 X 40, NI, Ss                      | 2    |
| ▲    | 3 222496   | (10000000- 20000000 ) | Sleeve, P/M, 0.32b 0.50d 0.9l [430ss]                   | 2    |
| ▲    | 4 222066   | (10000000- 20000000 ) | Wheel, 03.0d 0.88w 0.50b                                | 2    |
| ▲    | 5 07786    | (10000000- 20000000 ) | Nut, Hex, Std, M8 X 1.25, Ss                            | 2    |
| ▲    | 6 1212755  | (10000000- 20000000 ) | Screw, Btn, M8 X 1.25 X 80, Ss                          | 4    |
| ▲    | 7 1074204  | (10000000- 20000000 ) | Knob,Star,2.75d 4ear 1.1l M8x1.25,Thru,Y                | 4    |
| ▲    | 8 22290    | (10000000- 20000000 ) | Spring, Cmpr, 0.72od .06wir 02.3l                       | 4    |
| ▲    | 9 32716    | (10000000- 10964902 ) | Nut, Hex, Jam, M10 X 1.5, Ss                            | 2    |
| ▲    | 10 1034731 | (10000000- 10964902 ) | Screw, Hex, M6 X 1.00 X 16, Sems, Ss                    | 8    |
| ▲    | 11 1243081 | (10000000- 10964902 ) | Washer, Flat, 0.034b 2.00d .06, Plstc                   | 2    |
| ▲    | 12 1006343 | (10000000- 20000000 ) | Caster, Swivel, 50mmd, M10 X 30, Clr PI                 | 2    |
| ▲    | 13 1242820 | (10000000- 10964902 ) | Sleeve, .40b .75d .2l [304Ss]                           | 2    |
| ▲    | 14 12277   | (10000000- 20000000 ) | Screw, Hex, M6 X 1.00 X 20, NI, Ss                      | 1    |
| ▲    | 15 01684   | (10000000- 20000000 ) | Washer, Flat, 0.27b 0.69d .05, Ss                       | 1    |
| ▲    | 16 140060  | (10000000- 20000000 ) | Washer, Wave- Spring, .505 .750 .045                    | 1    |
| ▲    | 17 140154  | (10000000- 20000000 ) | Sleeve, P/M, 0.25b 0.38d 0.3l, PI                       | 1    |
| ▲    | 18 1222109 | (10000000- 20000000 ) | Knob, Sqge, 58l, M6 X 1.00, Plstc                       | 1    |
| ▲    | 19 1209631 | (10000000- 20000000 ) | Cover, Trap, Water, Sqge                                | 1    |
| ▲    | 20 1210756 | (10000000- 20000000 ) | Gasket, Trap, Water, Sqge                               | 1    |
| ▲▽   | 21 9015734 | (10000000- 20000000 ) | Blade Kit, 650mm, Linatex/Linard (Standard)             | 1    |
| ▲▲   | 22 1221585 | (10000000- 20000000 ) | Blade, Sqge, Rear, 1166l, Linatex[650mm] (Standard)     | 1    |
| ▲▲   | 23 1232680 | (10000000- 20000000 ) | Blade, Sqge, Front, 1072l Linard[650mm] (Standard)      | 1    |
| ▲    | 24 1221260 | (10000000- 20000000 ) | Retainer, Sqge, 65cm [T500]                             | 1    |
| ▲    | 25 1242364 | (10000000- 10964902 ) | Plate Wldt, Mtg, Caster [650] (Replaced By 9018626)     | 2    |
| ▽    | 21 9015735 | (10000000- 20000000 ) | Blade Kit, 650mm, Urethane (Option)                     | 1    |
| ▲    | 22 1228909 | (10000000- 20000000 ) | Blade, Sqge, Rear, 1136l,Urethane[650mm] (Option)       | 1    |
| ▲    | 23 1228915 | (10000000- 20000000 ) | Blade, Sqge, Front,1072l,Urethane[650mm] (Option)       | 1    |
| ▽    | 21 9015733 | (10000000- 20000000 ) | Blade Kit, 650mm, Gum (Option)                          | 1    |
| ▲    | 22 1228910 | (10000000- 20000000 ) | Blade, Sqge, Rear, 1136l, Gum[650mm] (Option)           | 1    |
| ▲    | 23 1228919 | (10000000- 20000000 ) | Blade, Sqge, Front, 1072l Gum[650mm] (Option)           | 1    |

▽ ASSEMBLY

▲ INCLUDED IN ASSEMBLY

**SQUEEGEE ASSEMBLY, 650MM / 26IN (Intended for 700MM Scrub Head Size)  
(Original Style 9015301 - Replaced By 9018626)**

355438



**SQUEEGEE ASSEMBLY, 650MM / 26IN (Intended for 700MM Scrub Head Size)  
(Original Style 9015301 - Replaced By 9018626)**

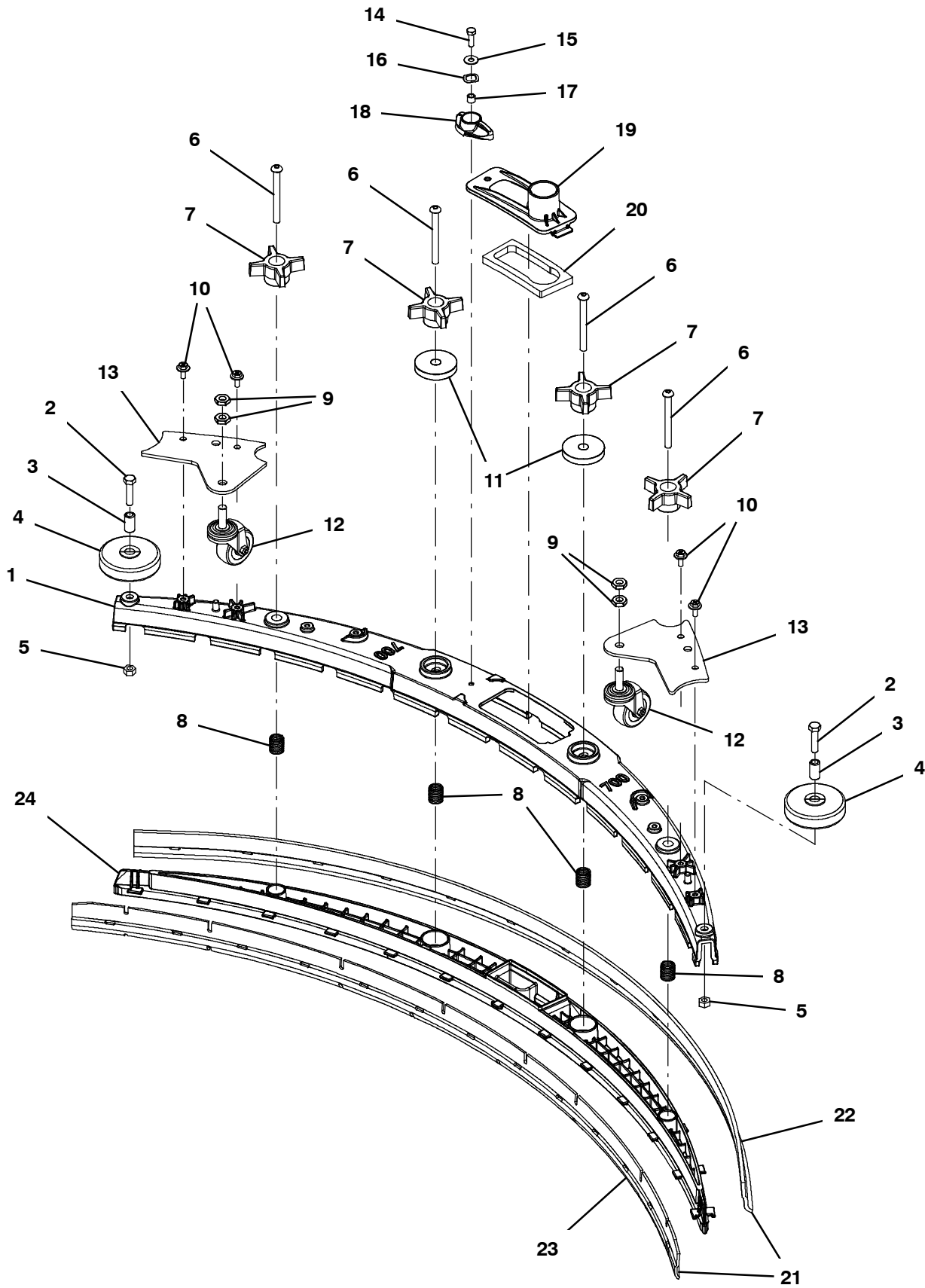
| Ref. | Part No.   | Serial Number         | Description   | Qty. |
|------|------------|-----------------------|---|------|
| ▽    | 9015301    | (10000000- xxxxxxxx ) | Squeegee Kit, 650mm, Ci (Replaced By 9018626)           | 1    |
| ▲    | 1 1221259  | (10000000- xxxxxxxx ) | Frame, Sqge, 65cm, Mach [T500]<br>(Replaced By 1243537) | 1    |
| ▲    | 2 59658    | (10000000- 20000000 ) | Screw, Hex, M8 X 1.25 X 35, NI, Ss                      | 2    |
| ▲    | 3 222496   | (10000000- 20000000 ) | Sleeve, P/M, 0.32b 0.50d 0.9l [430ss]                   | 2    |
| ▲    | 4 222066   | (10000000- 20000000 ) | Wheel, 03.0d 0.88w 0.50b                                | 2    |
| ▲    | 5 07786    | (10000000- 20000000 ) | Nut, Hex, Std, M8 X 1.25, Ss                            | 2    |
| ▲    | 6 1212755  | (10000000- 20000000 ) | Screw, Btn, M8 X 1.25 X 80, Ss                          | 4    |
| ▲    | 7 1074204  | (10000000- 20000000 ) | Knob,Star,2.75d 4ear 1.1l M8x1.25,Thru,Y                | 4    |
| ▲    | 8 22290    | (10000000- 20000000 ) | Spring, Cmpr, 0.72od .06wir 02.3l                       | 4    |
| ▲    | 9 32716    | (10000000- 20000000 ) | Nut, Hex, Jam, M10 X 1.5, Ss                            | 2    |
| ▲    | 10 1034731 | (10000000- 20000000 ) | Screw, Hex, M6 X 1.00 X 16, Sems, Ss                    | 8    |
| ▲    | 11 1222236 | (10000000- xxxxxxxx ) | Bracket Wldt, Caster, Rh Sqge[T500]                     | 1    |
| ▲    | 12 1006343 | (10000000- 20000000 ) | Caster, Swivel, 50mmd, M10 X 30, Clr PI                 | 2    |
| ▲    | 13 1222001 | (10000000- xxxxxxxx ) | Bracket Wldt, Caster, Lh Sqge [T500]                    | 1    |
| ▲    | 14 12277   | (10000000- 20000000 ) | Screw, Hex, M6 X 1.00 X 20, NI, Ss                      | 1    |
| ▲    | 15 01684   | (10000000- 20000000 ) | Washer, Flat, 0.27b 0.69d .05, Ss                       | 1    |
| ▲    | 16 140060  | (10000000- 20000000 ) | Washer, Wave- Spring, .505 .750 .045                    | 1    |
| ▲    | 17 140154  | (10000000- 20000000 ) | Sleeve, P/M, 0.25b 0.38d 0.3l, PI                       | 1    |
| ▲    | 18 1222109 | (10000000- 20000000 ) | Knob, Sqge, 58l, M6 X 1.00, Plstc                       | 1    |
| ▲    | 19 1209631 | (10000000- 20000000 ) | Cover, Trap, Water, Sqge                                | 1    |
| ▲    | 20 1210756 | (10000000- 20000000 ) | Gasket, Trap, Water, Sqge                               | 1    |
| ▲▽   | 21 9015734 | (10000000- 20000000 ) | Blade Kit, 650mm, Linatex/Linard (Standard)             | 1    |
| ▲▲   | 22 1221585 | (10000000- 20000000 ) | Blade, Sqge, Rear, 1166l, Linatex[650mm] (Standard)     | 1    |
| ▲▲   | 23 1232680 | (10000000- 20000000 ) | Blade, Sqge, Front, 1072l Linard[650mm] (Standard)      | 1    |
| ▲    | 24 1221260 | (10000000- 20000000 ) | Retainer, Sqge, 65cm [T500]                             | 1    |
| ▲    | 25 1230738 | (10000000- xxxxxxxx ) | Bracket, Sqge Bumper                                    | 2    |
| ▽    | 21 9015735 | (10000000- 20000000 ) | Blade Kit, 650mm, Urethane (Option)                     | 1    |
| ▲    | 22 1228909 | (10000000- 20000000 ) | Blade, Sqge, Rear, 1136l,Urethane[650mm] (Option)       | 1    |
| ▲    | 23 1228915 | (10000000- 20000000 ) | Blade, Sqge, Front,1072l,Urethane[650mm] (Option)       | 1    |
| ▽    | 21 9015733 | (10000000- 20000000 ) | Blade Kit, 650mm, Gum (Option)                          | 1    |
| ▲    | 22 1228910 | (10000000- 20000000 ) | Blade, Sqge, Rear, 1136l, Gum[650mm] (Option)           | 1    |
| ▲    | 23 1228919 | (10000000- 20000000 ) | Blade, Sqge, Front, 1072l Gum[650mm] (Option)           | 1    |

▽ ASSEMBLY

▲ INCLUDED IN ASSEMBLY

SQUEEGEE ASSEMBLY, 700MM / 28IN (Intended for 800MM Scrub Head Size)  
(New Style 9018627)

355744



**SQUEEGEE ASSEMBLY, 700MM / 28IN (Intended for 800MM Scrub Head Size)  
(New Style 9018627)**

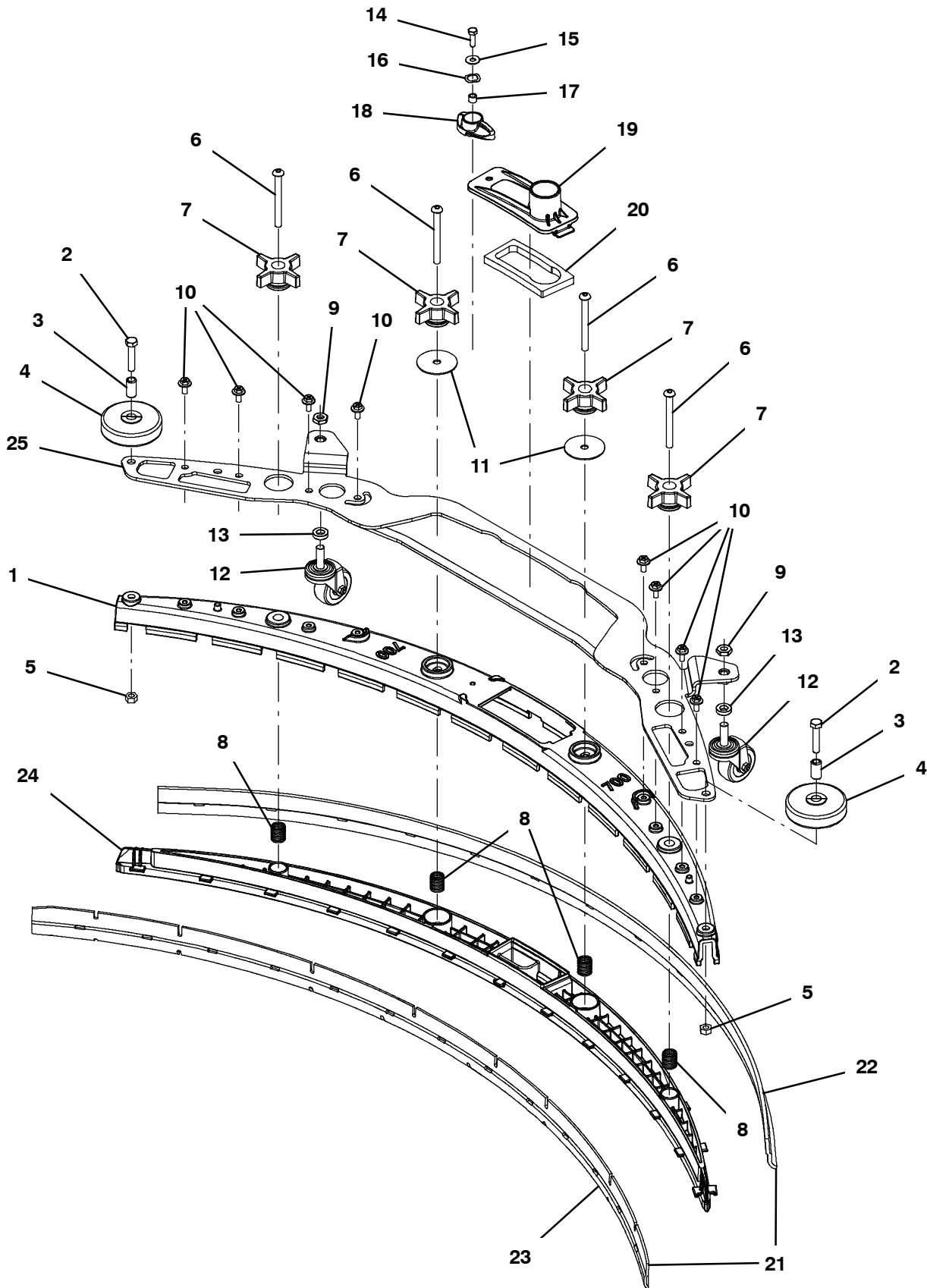
| Ref. | Part No.   | Serial Number       | Description   | Qty. |
|------|------------|---------------------|---|------|
| ▽    | 9018627    | (10963180-20000000) | Squeegee Kit, 700mm [T600]                          | 1    |
| ▲    | 1 1241632  | (10963180-20000000) | Frame, Sqge, 70cm, Mach [T500/T600]                 | 1    |
| ▲    | 2 59658    | (10963180-20000000) | Screw, Hex, M8 X 1.25 X 35, NI, Ss                  | 2    |
| ▲    | 3 222496   | (10000000-20000000) | Sleeve, P/M, 0.32b 0.50d 0.9l [430ss]               | 2    |
| ▲    | 4 222066   | (10000000-20000000) | Wheel, 03.0d 0.88w 0.50b                            | 2    |
| ▲    | 5 07786    | (10000000-20000000) | Nut, Hex, Std, M8 X 1.25, Ss                        | 2    |
| ▲    | 6 1212755  | (10000000-20000000) | Screw, Btn, M8 X 1.25 X 80, Ss                      | 4    |
| ▲    | 7 1074204  | (10000000-20000000) | Knob,Star,2.75d 4ear 1.1l M8x1.25,Thru,Y            | 4    |
| ▲    | 8 22290    | (10000000-20000000) | Spring, Cmpr, 0.72od .06wir 02.3l                   | 4    |
| ▲    | 9 32716    | (10963180-20000000) | Nut, Hex, Jam, M10 X 1.5, Ss                        | 4    |
| ▲    | 10 1034731 | (10963180-20000000) | Screw, Hex, M6 X 1.00 X 16, Sems, Ss                | 4    |
| ▲    | 11 1243735 | (10963180-20000000) | Disc, Friction, Sqge                                | 2    |
| ▲    | 12 1006343 | (10000000-20000000) | Caster, Swivel, 50mmd, M10 X 30, Clr PI             | 2    |
| ▲    | 13 1243364 | (10963180-20000000) | Plate, Caster, Sqge                                 | 2    |
| ▲    | 14 12277   | (10000000-20000000) | Screw, Hex, M6 X 1.00 X 20, NI, Ss                  | 1    |
| ▲    | 15 01684   | (10000000-20000000) | Washer, Flat, 0.27b 0.69d .05, Ss                   | 1    |
| ▲    | 16 140060  | (10000000-20000000) | Washer, Wave- Spring, .505 .750 .045                | 1    |
| ▲    | 17 140154  | (10000000-20000000) | Sleeve, P/M, 0.25b 0.38d 0.3l, PI                   | 1    |
| ▲    | 18 1222109 | (10000000-20000000) | Knob, Sqge, 58l, M6 X 1.00, Plstc                   | 1    |
| ▲    | 19 1209631 | (10000000-20000000) | Cover, Trap, Water, Sqge                            | 1    |
| ▲    | 20 1210756 | (10000000-20000000) | Gasket, Trap, Water, Sqge                           | 1    |
| ▲▽   | 21 9015737 | (10000000-20000000) | Blade Kit, 700mm, Linatex/Linard (Standard)         | 1    |
| ▲▲   | 22 1221572 | (10000000-20000000) | Blade, Sqge, Rear, 1204l, Linatex[700mm] (Standard) | 1    |
| ▲▲   | 23 1232679 | (10000000-20000000) | Blade, Sqge, Front, 1148l Linard[700mm] (Standard)  | 1    |
| ▲    | 24 1220783 | (10000000-20000000) | Retainer, Sqge, 70cm [T500]                         | 1    |
| ▽    | 21 9015738 | (10000000-20000000) | Blade Kit, 700mm, Urethane (Option)                 | 1    |
| ▲    | 22 1228904 | (10000000-20000000) | Blade, Sqge, Rear, 1204l,Urethane[700mm] (Option)   | 1    |
| ▲    | 23 1228906 | (10000000-20000000) | Blade, Sqge, Front,1148l Urethane[700mm] (Option)   | 1    |
| ▽    | 21 9015736 | (10000000-20000000) | Blade Kit, 700mm, Gum (Option)                      | 1    |
| ▲    | 22 1228905 | (10000000-20000000) | Blade, Sqge, Rear, 1204l, Gum[700mm] (Option)       | 1    |
| ▲    | 23 1228907 | (10000000-20000000) | Blade, Sqge, Front, 1148l Gum[700mm] (Option)       | 1    |

▽ ASSEMBLY

▲ INCLUDED IN ASSEMBLY

**SQUEEGEE ASSEMBLY, 700MM / 28IN (Intended for 800MM Scrub Head Size)  
(Upgraded Style 9018086 - Replaced By 9018627)**

355711





**SQUEEGEE ASSEMBLY, 700MM / 28IN (Intended for 800MM Scrub Head Size)  
(Upgraded Style 9018086 - Replaced By 9018627)**

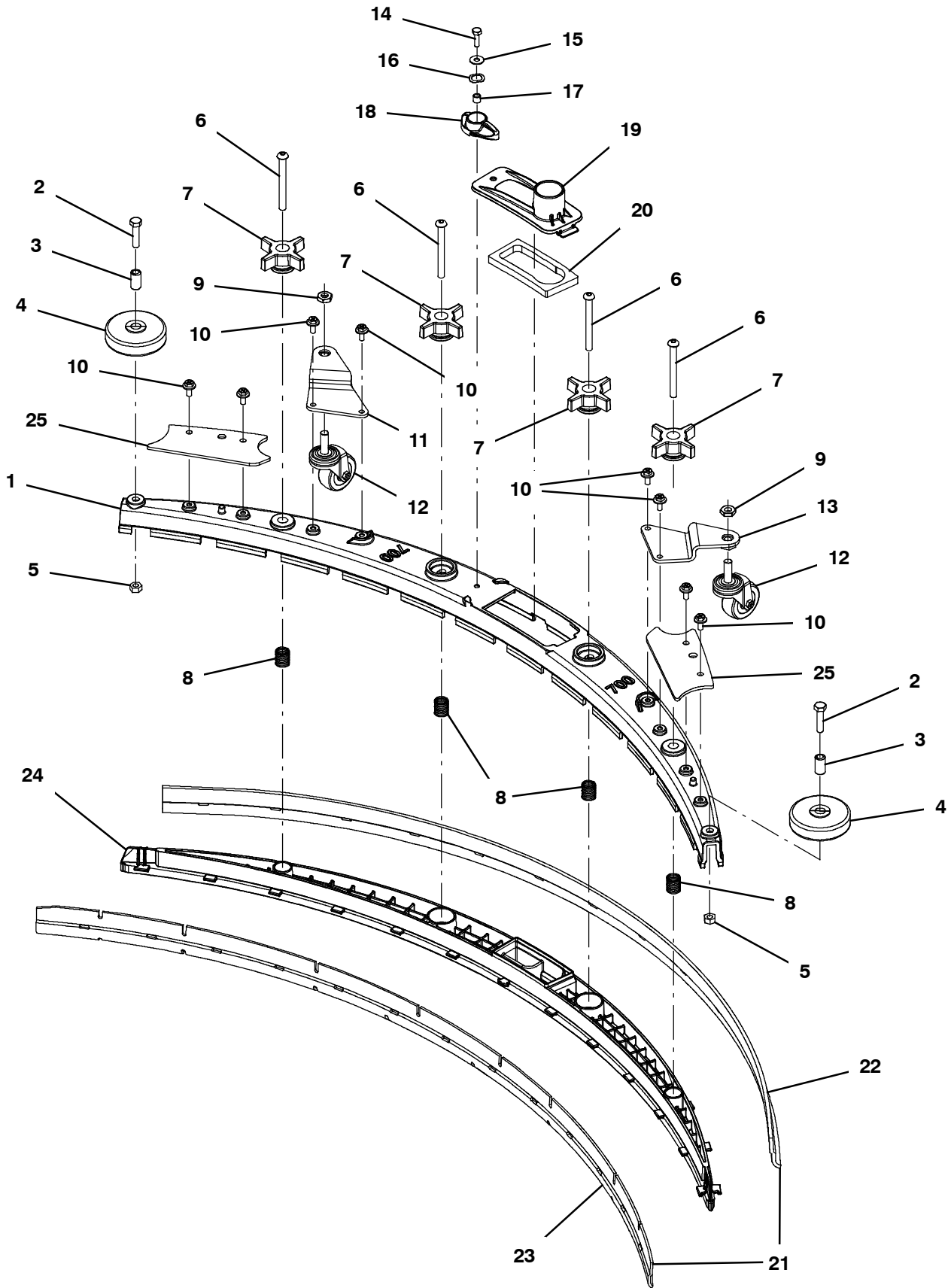
| Ref. | Part No.   | Serial Number         | Description   | Qty. |
|------|------------|-----------------------|---|------|
| ▽    | 9018086    | (10000000- 10963179 ) | Squeegee Kit, 700mm (Replaced By 9018627)               | 1    |
| ▲    | 1 1220309  | (10000000- 10963179 ) | Frame, Sqge, 70cm, Mach [T500]<br>(Replaced By 9018627) | 1    |
| ▲    | 2 74440    | (10000000- 10963179 ) | Screw, Hex, M8 X 1.25 X 40, NI, Ss                      | 2    |
| ▲    | 3 222496   | (10000000- 20000000 ) | Sleeve, P/M, 0.32b 0.50d 0.9l [430ss]                   | 2    |
| ▲    | 4 222066   | (10000000- 20000000 ) | Wheel, 03.0d 0.88w 0.50b                                | 2    |
| ▲    | 5 07786    | (10000000- 20000000 ) | Nut, Hex, Std, M8 X 1.25, Ss                            | 2    |
| ▲    | 6 1212755  | (10000000- 20000000 ) | Screw, Btn, M8 X 1.25 X 80, Ss                          | 4    |
| ▲    | 7 1074204  | (10000000- 20000000 ) | Knob,Star,2.75d 4ear 1.1l M8x1.25,Thru,Y                | 4    |
| ▲    | 8 22290    | (10000000- 20000000 ) | Spring, Cmpr, 0.72od .06wir 02.3l                       | 4    |
| ▲    | 9 32716    | (10000000- 10963179 ) | Nut, Hex, Jam, M10 X 1.5, Ss                            | 2    |
| ▲    | 10 1034731 | (10000000- 10963179 ) | Screw, Hex, M6 X 1.00 X 16, Sems, Ss                    | 8    |
| ▲    | 11 1243081 | (10000000- 10963179 ) | Washer, Flat, 0.034b 2.00d .06, Plstc                   | 2    |
| ▲    | 12 1006343 | (10000000- 20000000 ) | Caster, Swivel, 50mmd, M10 X 30, Clr PI                 | 2    |
| ▲    | 13 1242820 | (10000000- 10963179 ) | Sleeve, .40b .75d .2l [304Ss]                           | 2    |
| ▲    | 14 12277   | (10000000- 20000000 ) | Screw, Hex, M6 X 1.00 X 20, NI, Ss                      | 1    |
| ▲    | 15 01684   | (10000000- 20000000 ) | Washer, Flat, 0.27b 0.69d .05, Ss                       | 1    |
| ▲    | 16 140060  | (10000000- 20000000 ) | Washer, Wave- Spring, .505 .750 .045                    | 1    |
| ▲    | 17 140154  | (10000000- 20000000 ) | Sleeve, P/M, 0.25b 0.38d 0.3l, PI                       | 1    |
| ▲    | 18 1222109 | (10000000- 20000000 ) | Knob, Sqge, 58l, M6 X 1.00, Plstc                       | 1    |
| ▲    | 19 1209631 | (10000000- 20000000 ) | Cover, Trap, Water, Sqge                                | 1    |
| ▲    | 20 1210756 | (10000000- 20000000 ) | Gasket, Trap, Water, Sqge                               | 1    |
| ▲▽   | 21 9015737 | (10000000- 20000000 ) | Blade Kit, 700mm, Linatex/Linard (Standard)             | 1    |
| ▲▲   | 22 1221572 | (10000000- 20000000 ) | Blade, Sqge, Rear, 1204l, Linatex[700mm] (Standard)     | 1    |
| ▲▲   | 23 1232679 | (10000000- 20000000 ) | Blade, Sqge, Front, 1148l Linard[700mm] (Standard)      | 1    |
| ▲    | 24 1220783 | (10000000- 20000000 ) | Retainer, Sqge, 70cm [T500]                             | 1    |
| ▲    | 25 1242196 | (10000000- 10963179 ) | Plate Wldt, Mtg, Caster [700] (Replaced By 9018627)     | 2    |
| ▽    | 21 9015738 | (10000000- 20000000 ) | Blade Kit, 700mm, Urethane (Option)                     | 1    |
| ▲    | 22 1228904 | (10000000- 20000000 ) | Blade, Sqge, Rear, 1204l,Urethane[700mm] (Option)       | 1    |
| ▲    | 23 1228906 | (10000000- 20000000 ) | Blade, Sqge, Front,1148l Urethane[700mm] (Option)       | 1    |
| ▽    | 21 9015736 | (10000000- 20000000 ) | Blade Kit, 700mm, Gum (Option)                          | 1    |
| ▲    | 22 1228905 | (10000000- 20000000 ) | Blade, Sqge, Rear, 1204l, Gum[700mm] (Option)           | 1    |
| ▲    | 23 1228907 | (10000000- 20000000 ) | Blade, Sqge, Front, 1148l Gum[700mm] (Option)           | 1    |

▽ ASSEMBLY

▲ INCLUDED IN ASSEMBLY

**SQUEEGEE ASSEMBLY, 700MM / 28IN (Intended for 800MM Scrub Head Size)  
(Original Style 9015302 - Replaced By 9018627)**

355439



**SQUEEGEE ASSEMBLY, 700MM / 28IN (Intended for 800MM Scrub Head Size)  
(Original Style 9015302 - Replaced By 9018627)**

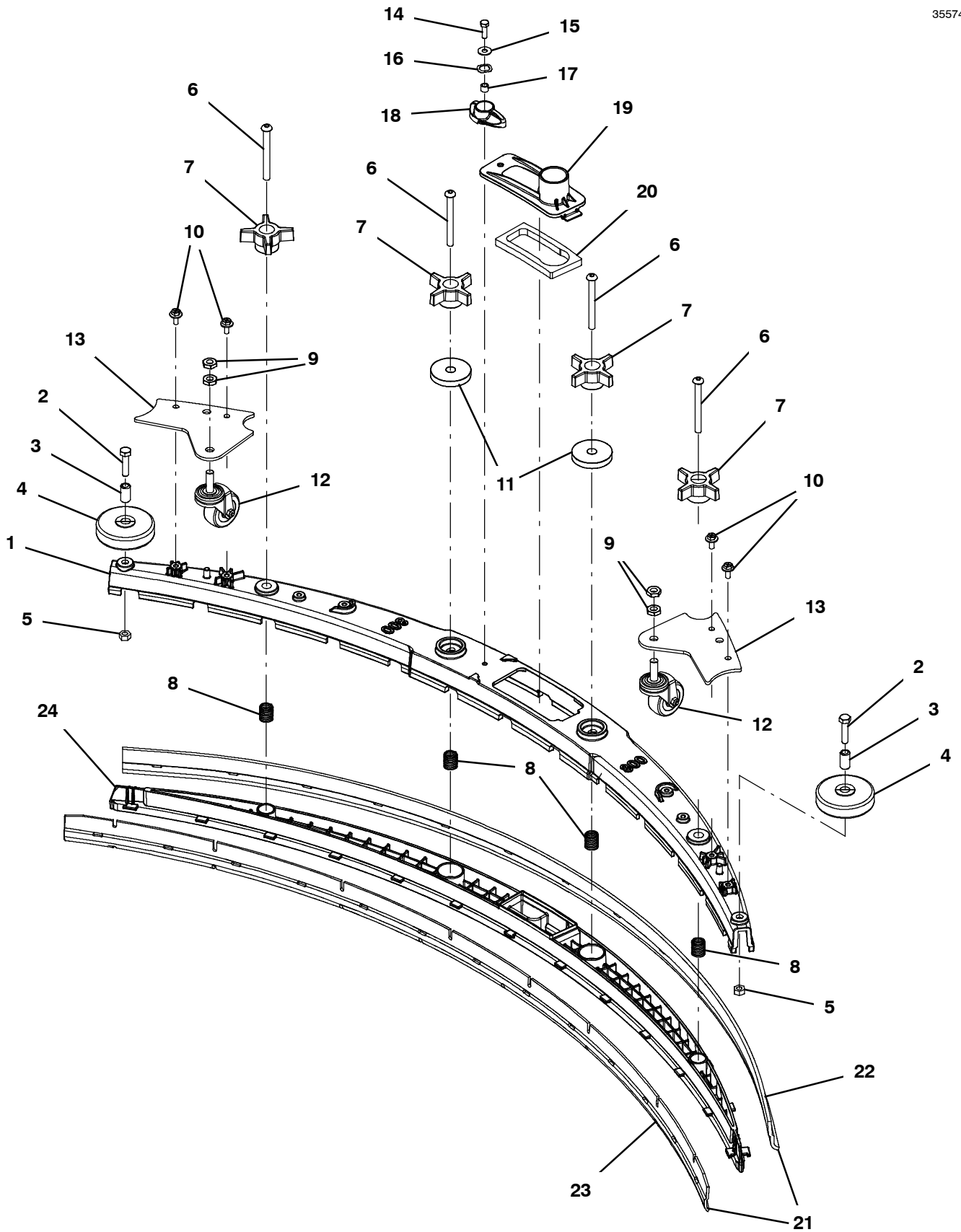
| Ref. | Part No.   | Serial Number         | Description   | Qty. |
|------|------------|-----------------------|---|------|
| ▽    | 9015302    | (10000000- xxxxxxxx ) | Squeegee Kit, 700mm, Ci (Replaced By 9018627)           | 1    |
| ▲    | 1 1220309  | (10000000- xxxxxxxx ) | Frame, Sqge, 70cm, Mach [T500]<br>(Replaced By 1241632) | 1    |
| ▲    | 2 59658    | (10000000- 20000000 ) | Screw, Hex, M8 X 1.25 X 35, NI, Ss                      | 2    |
| ▲    | 3 222496   | (10000000- 20000000 ) | Sleeve, P/M, 0.32b 0.50d 0.9l [430ss]                   | 2    |
| ▲    | 4 222066   | (10000000- 20000000 ) | Wheel, 03.0d 0.88w 0.50b                                | 2    |
| ▲    | 5 07786    | (10000000- 20000000 ) | Nut, Hex, Std, M8 X 1.25, Ss                            | 2    |
| ▲    | 6 1212755  | (10000000- 20000000 ) | Screw, Btn, M8 X 1.25 X 80, Ss                          | 4    |
| ▲    | 7 1074204  | (10000000- 20000000 ) | Knob,Star,2.75d 4ear 1.1l M8x1.25,Thru,Y                | 4    |
| ▲    | 8 22290    | (10000000- 20000000 ) | Spring, Cmpr, 0.72od .06wir 02.3l                       | 4    |
| ▲    | 9 32716    | (10000000- 20000000 ) | Nut, Hex, Jam, M10 X 1.5, Ss                            | 2    |
| ▲    | 10 1034731 | (10000000- 20000000 ) | Screw, Hex, M6 X 1.00 X 16, Sems, Ss                    | 8    |
| ▲    | 11 1222236 | (10000000- xxxxxxxx ) | Bracket Wldt, Caster, Rh Sqge[T500]                     | 1    |
| ▲    | 12 1006343 | (10000000- 20000000 ) | Caster, Swivel, 50mmd, M10 X 30, Clr PI                 | 2    |
| ▲    | 13 1222001 | (10000000- xxxxxxxx ) | Bracket Wldt, Caster, Lh Sqge [T500]                    | 1    |
| ▲    | 14 12277   | (10000000- 20000000 ) | Screw, Hex, M6 X 1.00 X 20, NI, Ss                      | 1    |
| ▲    | 15 01684   | (10000000- 20000000 ) | Washer, Flat, 0.27b 0.69d .05, Ss                       | 1    |
| ▲    | 16 140060  | (10000000- 20000000 ) | Washer, Wave- Spring, .505 .750 .045                    | 1    |
| ▲    | 17 140154  | (10000000- 20000000 ) | Sleeve, P/M, 0.25b 0.38d 0.3l, PI                       | 1    |
| ▲    | 18 1222109 | (10000000- 20000000 ) | Knob, Sqge, 58l, M6 X 1.00, Plstc                       | 1    |
| ▲    | 19 1209631 | (10000000- 20000000 ) | Cover, Trap, Water, Sqge                                | 1    |
| ▲    | 20 1210756 | (10000000- 20000000 ) | Gasket, Trap, Water, Sqge                               | 1    |
| ▲▽   | 21 9015737 | (10000000- 20000000 ) | Blade Kit, 700mm, Linatex/Linard (Standard)             | 1    |
| ▲▲   | 22 1221572 | (10000000- 20000000 ) | Blade, Sqge, Rear, 1204l, Linatex[700mm] (Standard)     | 1    |
| ▲▲   | 23 1232679 | (10000000- 20000000 ) | Blade, Sqge, Front, 1148l Linard[700mm] (Standard)      | 1    |
| ▲    | 24 1220783 | (10000000- 20000000 ) | Retainer, Sqge, 70cm [T500]                             | 1    |
| ▲    | 25 1230738 | (10000000- xxxxxxxx ) | Bracket, Sqge Bumper                                    | 2    |
| ▽    | 21 9015738 | (10000000- 20000000 ) | Blade Kit, 700mm, Urethane (Option)                     | 1    |
| ▲    | 22 1228904 | (10000000- 20000000 ) | Blade, Sqge, Rear, 1204l,Urethane[700mm] (Option)       | 1    |
| ▲    | 23 1228906 | (10000000- 20000000 ) | Blade, Sqge, Front,1148l Urethane[700mm] (Option)       | 1    |
| ▽    | 21 9015736 | (10000000- 20000000 ) | Blade Kit, 700mm, Gum (Option)                          | 1    |
| ▲    | 22 1228905 | (10000000- 20000000 ) | Blade, Sqge, Rear, 1204l, Gum[700mm] (Option)           | 1    |
| ▲    | 23 1228907 | (10000000- 20000000 ) | Blade, Sqge, Front, 1148l Gum[700mm] (Option)           | 1    |

▽ ASSEMBLY

▲ INCLUDED IN ASSEMBLY

SQUEEGEE ASSEMBLY, 800MM / 32IN (Intended for 900MM Scrub Head Size)  
(New Style 9018628)

355745



**SQUEEGEE ASSEMBLY, 800MM / 32IN (Intended for 900MM Scrub Head Size)  
(New Style 9018628)**

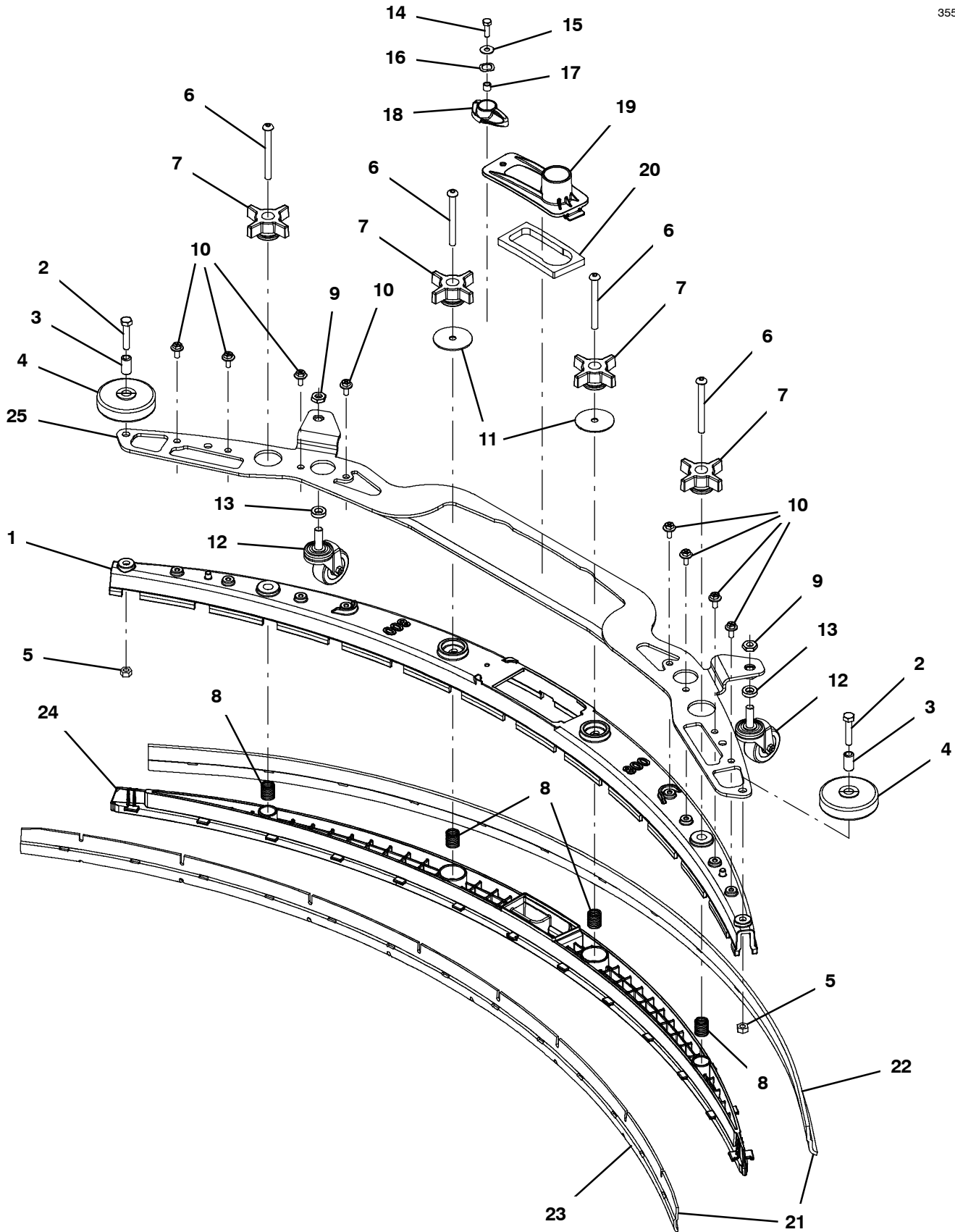
| Ref. | Part No.   | Serial Number         | Description   | Qty. |
|------|------------|-----------------------|---|------|
| ▽    | 9018628    | (10964187- 20000000 ) | Squeegee Kit, 800mm [T600]                          | 1    |
| ▲    | 1 1243538  | (10964187- 20000000 ) | Frame, Sqge, 80cm, Mach [T500/T600]                 | 1    |
| ▲    | 2 59658    | (10964187- 20000000 ) | Screw, Hex, M8 X 1.25 X 35, NI, Ss                  | 2    |
| ▲    | 3 222496   | (10000000- 20000000 ) | Sleeve, P/M, 0.32b 0.50d 0.9l [430ss]               | 2    |
| ▲    | 4 222066   | (10000000- 20000000 ) | Wheel, 03.0d 0.88w 0.50b                            | 2    |
| ▲    | 5 07786    | (10000000- 20000000 ) | Nut, Hex, Std, M8 X 1.25, Ss                        | 2    |
| ▲    | 6 1212755  | (10000000- 20000000 ) | Screw, Btn, M8 X 1.25 X 80, Ss                      | 4    |
| ▲    | 7 1074204  | (10000000- 20000000 ) | Knob,Star,2.75d 4ear 1.1l M8x1.25,Thru,Y            | 4    |
| ▲    | 8 22290    | (10000000- 20000000 ) | Spring, Cmpr, 0.72od .06wir 02.3l                   | 4    |
| ▲    | 9 32716    | (10964187- 20000000 ) | Nut, Hex, Jam, M10 X 1.5, Ss                        | 4    |
| ▲    | 10 1034731 | (10964187- 20000000 ) | Screw, Hex, M6 X 1.00 X 16, Sems, Ss                | 4    |
| ▲    | 11 1243735 | (10964187- 20000000 ) | Disc, Friction, Sqge                                | 2    |
| ▲    | 12 1006343 | (10000000- 20000000 ) | Caster, Swivel, 50mmd, M10 X 30, Clr PI             | 2    |
| ▲    | 13 1243364 | (10964187- 20000000 ) | Plate, Caster, Sqge                                 | 2    |
| ▲    | 14 12277   | (10000000- 20000000 ) | Screw, Hex, M6 X 1.00 X 20, NI, Ss                  | 1    |
| ▲    | 15 01684   | (10000000- 20000000 ) | Washer, Flat, 0.27b 0.69d .05, Ss                   | 1    |
| ▲    | 16 140060  | (10000000- 20000000 ) | Washer, Wave- Spring, .505 .750 .045                | 1    |
| ▲    | 17 140154  | (10000000- 20000000 ) | Sleeve, P/M, 0.25b 0.38d 0.3l, PI                   | 1    |
| ▲    | 18 1222109 | (10000000- 20000000 ) | Knob, Sqge, 58l, M6 X 1.00, Plstc                   | 1    |
| ▲    | 19 1209631 | (10000000- 20000000 ) | Cover, Trap, Water, Sqge                            | 1    |
| ▲    | 20 1210756 | (10000000- 20000000 ) | Gasket, Trap, Water, Sqge                           | 1    |
| ▲▽   | 21 9015740 | (10000000- 20000000 ) | Blade Kit, 800mm, Linatex/Linard (Standard)         | 1    |
| ▲▲   | 22 1221115 | (10000000- 20000000 ) | Blade, Sqge, Rear, 1306l, Linatex[800mm] (Standard) | 1    |
| ▲▲   | 23 1232681 | (10000000- 20000000 ) | Blade, Sqge, Front, 1256l Linard[800mm] (Standard)  | 1    |
| ▲    | 24 1219405 | (10000000- 20000000 ) | Retainer, Sqge, 80cm [T500]                         | 1    |
| ▽    | 21 9015741 | (10000000- 20000000 ) | Blade Kit, 800mm, Urethane (Option)                 | 1    |
| ▲    | 22 1228920 | (10000000- 20000000 ) | Blade, Sqge, Rear, 1306l,Urethane[800mm] (Option)   | 1    |
| ▲    | 23 1228922 | (10000000- 20000000 ) | Blade, Sqge, Front,1256l Urethane[800mm] (Option)   | 1    |
| ▽    | 21 9015739 | (10000000- 20000000 ) | Blade Kit, 800mm, Gum (Option)                      | 1    |
| ▲    | 22 1228921 | (10000000- 20000000 ) | Blade, Sqge, Rear, 1306l, Gum[800mm] (Option)       | 1    |
| ▲    | 23 1228923 | (10000000- 20000000 ) | Blade, Sqge, Front, 1256l Gum[800mm] (Option)       | 1    |

▽ ASSEMBLY

▲ INCLUDED IN ASSEMBLY

**SQUEEGEE ASSEMBLY, 800MM / 32IN (Intended for 900MM Scrub Head Size)  
(Upgraded Style 9018127 - Replaced By 9018628)**

355712



**SQUEEGEE ASSEMBLY, 800MM / 32IN (Intended for 900MM Scrub Head Size)  
(Upgraded Style 9018127 - Replaced By 9018628)**

| Ref. | Part No.   | Serial Number         | Description   | Qty. |
|------|------------|-----------------------|---|------|
| ▽    | 9018127    | (10000000- 10964186 ) | Squeegee Kit, 800mm (Replaced By 9018628)               | 1    |
| ▲    | 1 1219894  | (10000000- 10964186 ) | Frame, Sqge, 80cm, Mach [T500]<br>(Replaced By 9018628) | 1    |
| ▲    | 2 74440    | (10000000- 10964186 ) | Screw, Hex, M8 X 1.25 X 40, NI, Ss                      | 2    |
| ▲    | 3 222496   | (10000000- 20000000 ) | Sleeve, P/M, 0.32b 0.50d 0.9l [430ss]                   | 2    |
| ▲    | 4 222066   | (10000000- 20000000 ) | Wheel, 03.0d 0.88w 0.50b                                | 2    |
| ▲    | 5 07786    | (10000000- 20000000 ) | Nut, Hex, Std, M8 X 1.25, Ss                            | 2    |
| ▲    | 6 1212755  | (10000000- 20000000 ) | Screw, Btn, M8 X 1.25 X 80, Ss                          | 4    |
| ▲    | 7 1074204  | (10000000- 20000000 ) | Knob,Star,2.75d 4ear 1.1l M8x1.25,Thru,Y                | 4    |
| ▲    | 8 22290    | (10000000- 20000000 ) | Spring, Cmpr, 0.72od .06wir 02.3l                       | 4    |
| ▲    | 9 32716    | (10000000- 10964186 ) | Nut, Hex, Jam, M10 X 1.5, Ss                            | 2    |
| ▲    | 10 1034731 | (10000000- 10964186 ) | Screw, Hex, M6 X 1.00 X 16, Sems, Ss                    | 8    |
| ▲    | 11 1243081 | (10000000- 10964186 ) | Washer, Flat, 0.034b 2.00d .06, Plstc                   | 2    |
| ▲    | 12 1006343 | (10000000- 20000000 ) | Caster, Swivel, 50mmd, M10 X 30, Clr PI                 | 2    |
| ▲    | 13 1242820 | (10000000- 10964186 ) | Sleeve, .40b .75d .2l [304Ss]                           | 2    |
| ▲    | 14 12277   | (10000000- 20000000 ) | Screw, Hex, M6 X 1.00 X 20, NI, Ss                      | 1    |
| ▲    | 15 01684   | (10000000- 20000000 ) | Washer, Flat, 0.27b 0.69d .05, Ss                       | 1    |
| ▲    | 16 140060  | (10000000- 20000000 ) | Washer, Wave- Spring, .505 .750 .045                    | 1    |
| ▲    | 17 140154  | (10000000- 20000000 ) | Sleeve, P/M, 0.25b 0.38d 0.3l, PI                       | 1    |
| ▲    | 18 1222109 | (10000000- 20000000 ) | Knob, Sqge, 58l, M6 X 1.00, Plstc                       | 1    |
| ▲    | 19 1209631 | (10000000- 20000000 ) | Cover, Trap, Water, Sqge                                | 1    |
| ▲    | 20 1210756 | (10000000- 20000000 ) | Gasket, Trap, Water, Sqge                               | 1    |
| ▲▽   | 21 9015740 | (10000000- 20000000 ) | Blade Kit, 800mm, Linatex/Linard (Standard)             | 1    |
| ▲▲   | 22 1221115 | (10000000- 20000000 ) | Blade, Sqge, Rear, 1306l, Linatex[800mm] (Standard)     | 1    |
| ▲▲   | 23 1232681 | (10000000- 20000000 ) | Blade, Sqge, Front, 1256l Linard[800mm] (Standard)      | 1    |
| ▲    | 24 1219405 | (10000000- 20000000 ) | Retainer, Sqge, 80cm [T500]                             | 1    |
| ▲    | 25 1242545 | (10000000- 10964186 ) | Plate Wldt, Mtg, Caster [800] (Replaced By 9018628)     | 2    |
| ▽    | 21 9015741 | (10000000- 20000000 ) | Blade Kit, 800mm, Urethane (Option)                     | 1    |
| ▲    | 22 1228920 | (10000000- 20000000 ) | Blade, Sqge, Rear, 1306l,Urethane[800mm] (Option)       | 1    |
| ▲    | 23 1228922 | (10000000- 20000000 ) | Blade, Sqge, Front,1256l Urethane[800mm] (Option)       | 1    |
| ▽    | 21 9015739 | (10000000- 20000000 ) | Blade Kit, 800mm, Gum (Option)                          | 1    |
| ▲    | 22 1228921 | (10000000- 20000000 ) | Blade, Sqge, Rear, 1306l, Gum[800mm] (Option)           | 1    |
| ▲    | 23 1228923 | (10000000- 20000000 ) | Blade, Sqge, Front, 1256l Gum[800mm] (Option)           | 1    |

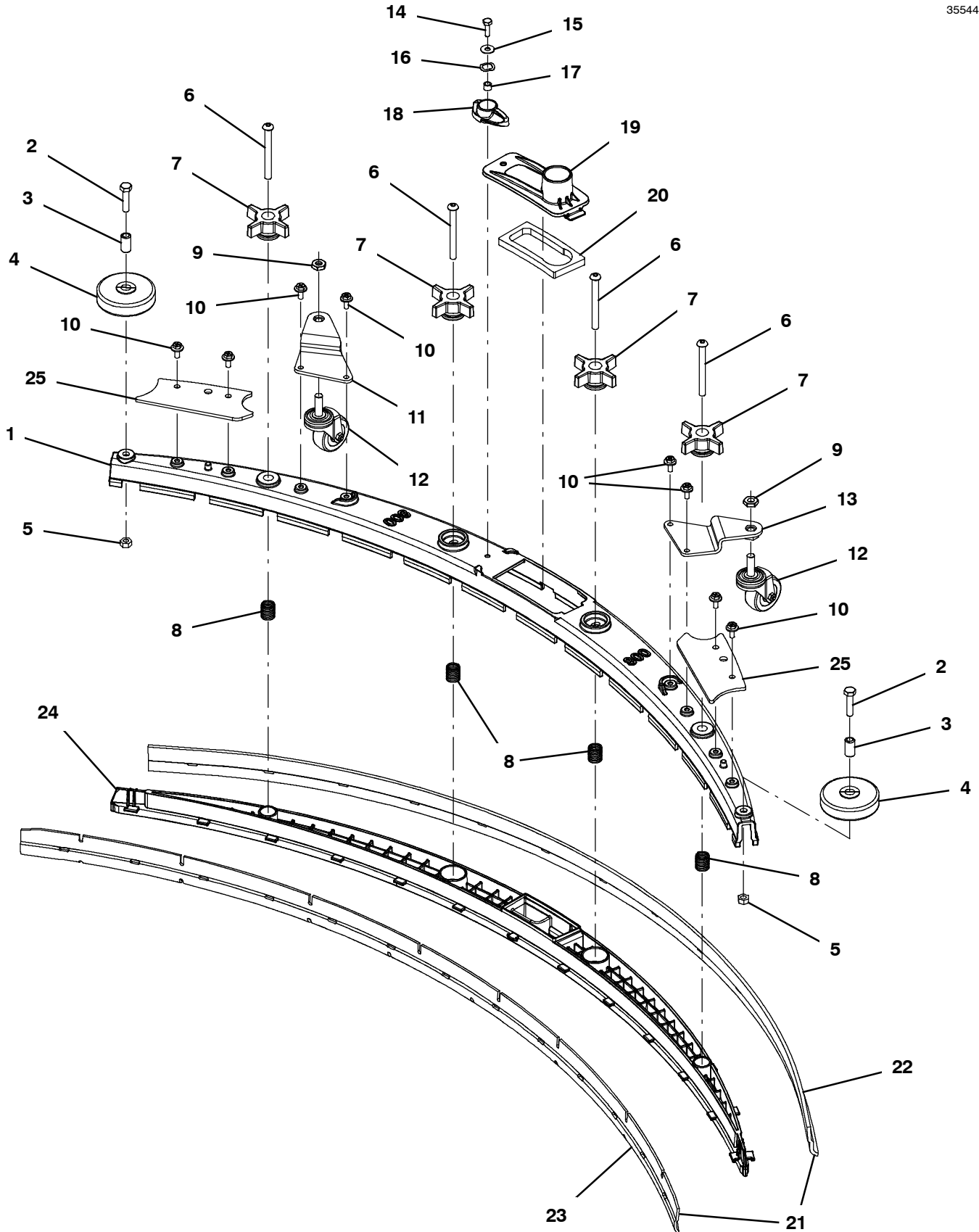
▽ ASSEMBLY

▲ INCLUDED IN ASSEMBLY

# STANDARD PARTS

## SQUEEGEE ASSEMBLY, 800MM / 32IN (Intended for 900MM Scrub Head Size) (Original Style 9015303 - Replaced By 9018628)

355440





**SQUEEGEE ASSEMBLY, 800MM / 32IN (Intended for 900MM Scrub Head Size)  
(Original Style 9015303 - Replaced By 9018628)**

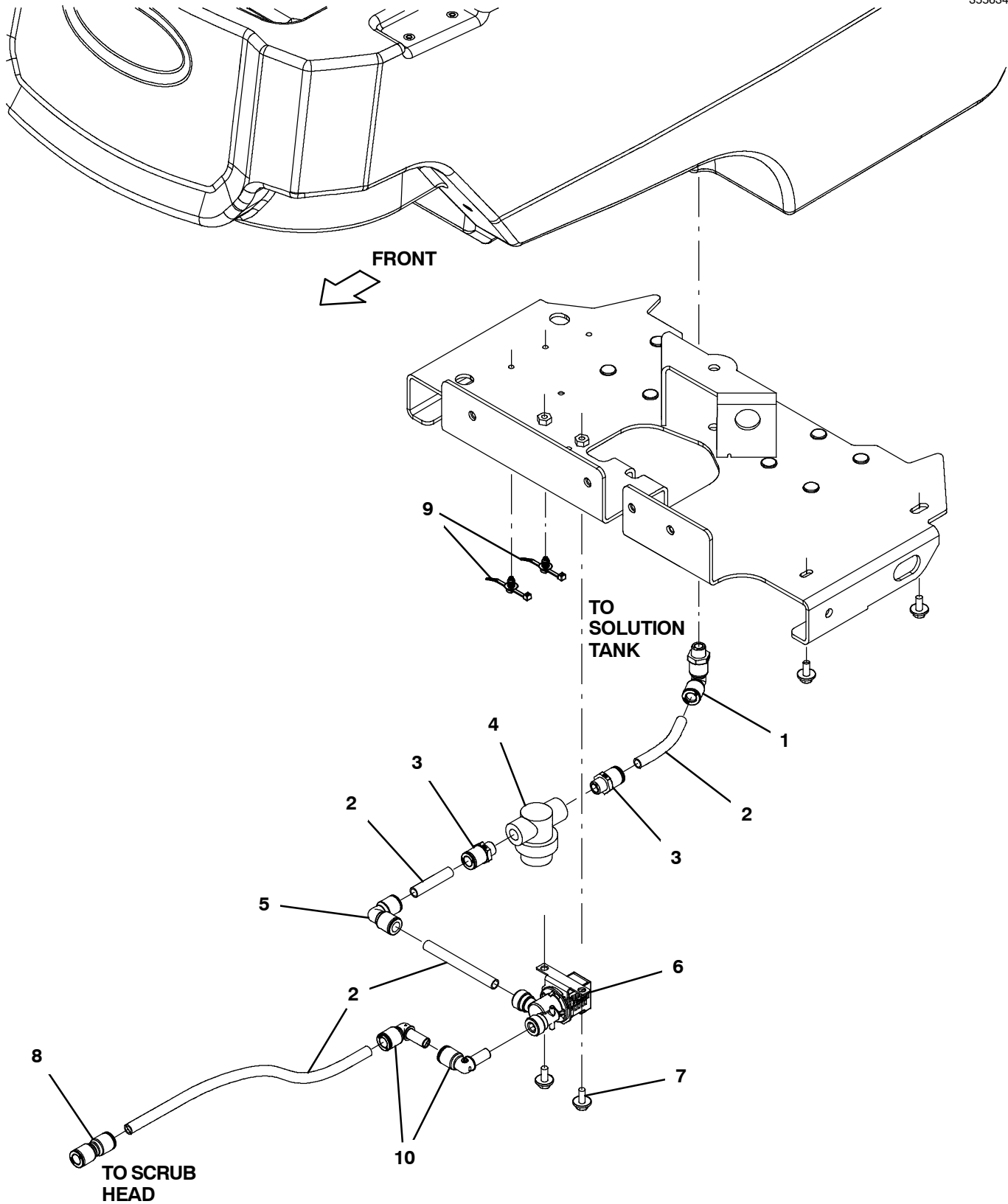
| Ref. | Part No.   | Serial Number         | Description   | Qty. |
|------|------------|-----------------------|---|------|
| ▽    | 9015303    | (10000000- xxxxxxxx ) | Squeegee Kit, 800mm, Ci (Replaced By 9018628)           | 1    |
| ▲    | 1 1219894  | (10000000- xxxxxxxx ) | Frame, Sqge, 80cm, Mach [T500]<br>(Replaced By 1243538) | 1    |
| ▲    | 2 59658    | (10000000- 20000000 ) | Screw, Hex, M8 X 1.25 X 35, NI, Ss                      | 2    |
| ▲    | 3 222496   | (10000000- 20000000 ) | Sleeve, P/M, 0.32b 0.50d 0.9l [430ss]                   | 2    |
| ▲    | 4 222066   | (10000000- 20000000 ) | Wheel, 03.0d 0.88w 0.50b                                | 2    |
| ▲    | 5 07786    | (10000000- 20000000 ) | Nut, Hex, Std, M8 X 1.25, Ss                            | 2    |
| ▲    | 6 1212755  | (10000000- 20000000 ) | Screw, Btn, M8 X 1.25 X 80, Ss                          | 4    |
| ▲    | 7 1074204  | (10000000- 20000000 ) | Knob,Star,2.75d 4ear 1.1l M8x1.25,Thru,Y                | 4    |
| ▲    | 8 22290    | (10000000- 20000000 ) | Spring, Cmpr, 0.72od .06wir 02.3l                       | 4    |
| ▲    | 9 32716    | (10000000- 20000000 ) | Nut, Hex, Jam, M10 X 1.5, Ss                            | 2    |
| ▲    | 10 1034731 | (10000000- 20000000 ) | Screw, Hex, M6 X 1.00 X 16, Sems, Ss                    | 8    |
| ▲    | 11 1222236 | (10000000- xxxxxxxx ) | Bracket Wldt, Caster, Rh Sqge[T500]                     | 1    |
| ▲    | 12 1006343 | (10000000- 20000000 ) | Caster, Swivel, 50mmd, M10 X 30, Clr PI                 | 2    |
| ▲    | 13 1222001 | (10000000- xxxxxxxx ) | Bracket Wldt, Caster, Lh Sqge [T500]                    | 1    |
| ▲    | 14 12277   | (10000000- 20000000 ) | Screw, Hex, M6 X 1.00 X 20, NI, Ss                      | 1    |
| ▲    | 15 01684   | (10000000- 20000000 ) | Washer, Flat, 0.27b 0.69d .05, Ss                       | 1    |
| ▲    | 16 140060  | (10000000- 20000000 ) | Washer, Wave- Spring, .505 .750 .045                    | 1    |
| ▲    | 17 140154  | (10000000- 20000000 ) | Sleeve, P/M, 0.25b 0.38d 0.3l, PI                       | 1    |
| ▲    | 18 1222109 | (10000000- 20000000 ) | Knob, Sqge, 58l, M6 X 1.00, Plstc                       | 1    |
| ▲    | 19 1209631 | (10000000- 20000000 ) | Cover, Trap, Water, Sqge                                | 1    |
| ▲    | 20 1210756 | (10000000- 20000000 ) | Gasket, Trap, Water, Sqge                               | 1    |
| ▲▽   | 21 9015740 | (10000000- 20000000 ) | Blade Kit, 800mm, Linatex/Linard (Standard)             | 1    |
| ▲▲   | 22 1221115 | (10000000- 20000000 ) | Blade, Sqge, Rear, 1306l, Linatex[800mm] (Standard)     | 1    |
| ▲▲   | 23 1232681 | (10000000- 20000000 ) | Blade, Sqge, Front, 1256l Linard[800mm] (Standard)      | 1    |
| ▲    | 24 1219405 | (10000000- 20000000 ) | Retainer, Sqge, 80cm [T500]                             | 1    |
| ▲    | 25 1230738 | (10000000- xxxxxxxx ) | Bracket, Sqge Bumper                                    | 2    |
| ▽    | 21 9015741 | (10000000- 20000000 ) | Blade Kit, 800mm, Urethane (Option)                     | 1    |
| ▲    | 22 1228920 | (10000000- 20000000 ) | Blade, Sqge, Rear, 1306l,Urethane[800mm] (Option)       | 1    |
| ▲    | 23 1228922 | (10000000- 20000000 ) | Blade, Sqge, Front,1256l Urethane[800mm] (Option)       | 1    |
| ▽    | 21 9015739 | (10000000- 20000000 ) | Blade Kit, 800mm, Gum (Option)                          | 1    |
| ▲    | 22 1228921 | (10000000- 20000000 ) | Blade, Sqge, Rear, 1306l, Gum[800mm] (Option)           | 1    |
| ▲    | 23 1228923 | (10000000- 20000000 ) | Blade, Sqge, Front, 1256l Gum[800mm] (Option)           | 1    |

▽ ASSEMBLY

▲ INCLUDED IN ASSEMBLY

STANDARD SOLUTION GROUP

355634



## STANDARD SOLUTION GROUP

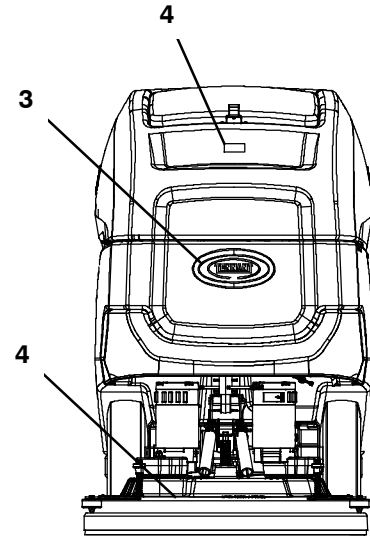
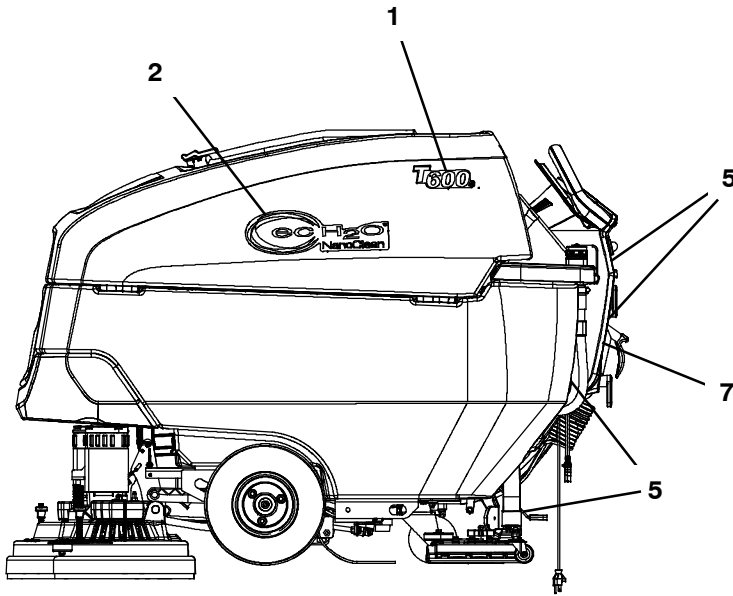
| Ref. | Part No. | Serial Number         | Description   | Qty.                                    |   |
|------|----------|-----------------------|---|---|---|
| 1    | 1243587  | (10922118- 20000000 ) | Fitting, Brs, E90, Qf08/Pm06, Swivel                            | 1                                       |   |
| 1    | 1212987  | (10000000- 10922117 ) | Fitting, Plstc, E90, Qf08/Pm06, Swivel<br>(Replaced By 1243587) | 1                                       |   |
| 2    | 9014145  | (10000000- 20000000 ) | Hose, Afmkt, Pe, .375id .50od, 05ft                             | 1                                       |   |
| 3    | 1212813  | (10000000- 20000000 ) | Fitting, Plstc, Str, Qf08/Pm06                                  | 2                                       |   |
| ▽    | 4        | 1211537               | (10000000- 20000000 )   | Filter, In- Line [80 Mesh, Fine, White] | 1 |
| ▲    | 1218885  | (10000000- 20000000 ) | Gasket [Epdm, F/1211537]  | 1                                       |   |
| ▲    | 1218883  | (10000000- 20000000 ) | Screen, Fltr, 80 Mesh, Ss [Fine, White]                         | 1                                       |   |
| ▲    | 613991   | (10000000- 20000000 ) | Bowl, Clr, Short, F/1005302                                     | 1                                       |   |
| 5    | 1221945  | (10000000- 20000000 ) | Fitting, Plstc, E90, Qf08/Qf08                                  | 1                                       |   |
| 6    | 1228697  | (10000000- 20000000 ) | Valve, Water, Solenoid, 36vdc Qf08/Qf08                         | 1                                       |   |
| 7    | 1020341  | (10000000- 20000000 ) | Screw, Hex, M8 X 1.25 X 20, Ss, Sems                            | 2                                       |   |
| 8    | 1212859  | (10000000- 20000000 ) | Fitting, Plstc, Str, Qf08/Qf08                                  | 1                                       |   |
| 9    | 1210807  | (10000000- 20000000 ) | Wire, Tie [W/.25" Fir Tree Clip]                                | 2                                       |   |
| 10   | 1212809  | (10000000- 20000000 ) | Fitting, Plstc, E90, Qf08/Qm08                                  | 2                                       |   |

▽ ASSEMBLY

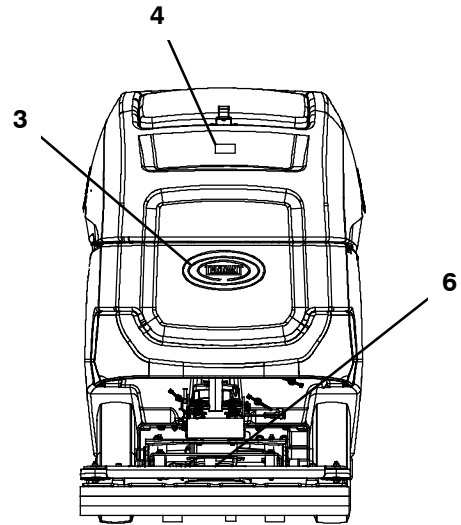
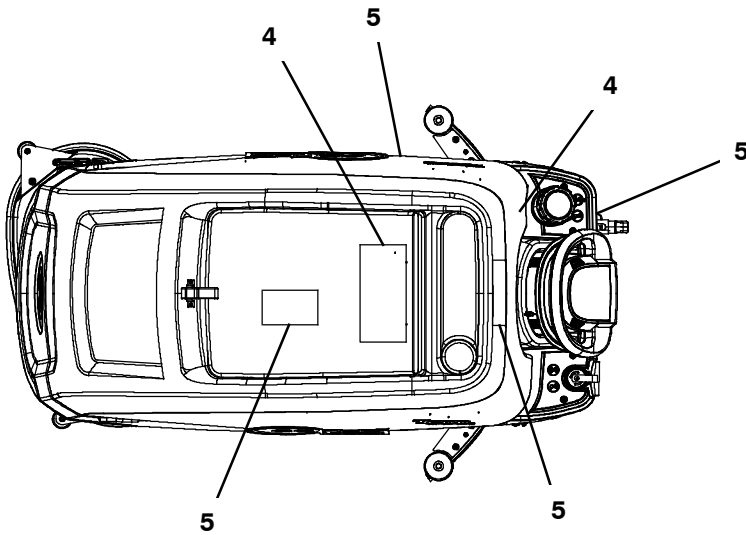
▲ INCLUDED IN ASSEMBLY

STANDARD LABEL GROUP

355660



DISK & CYLINDRICAL HEAD

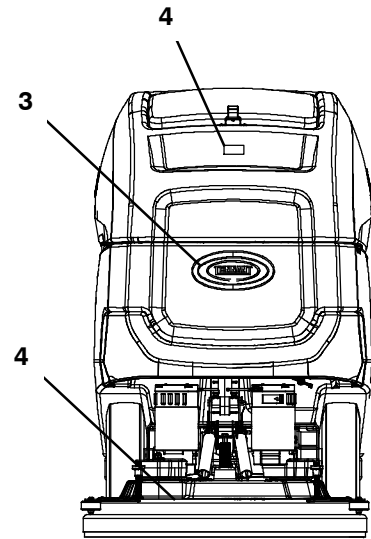
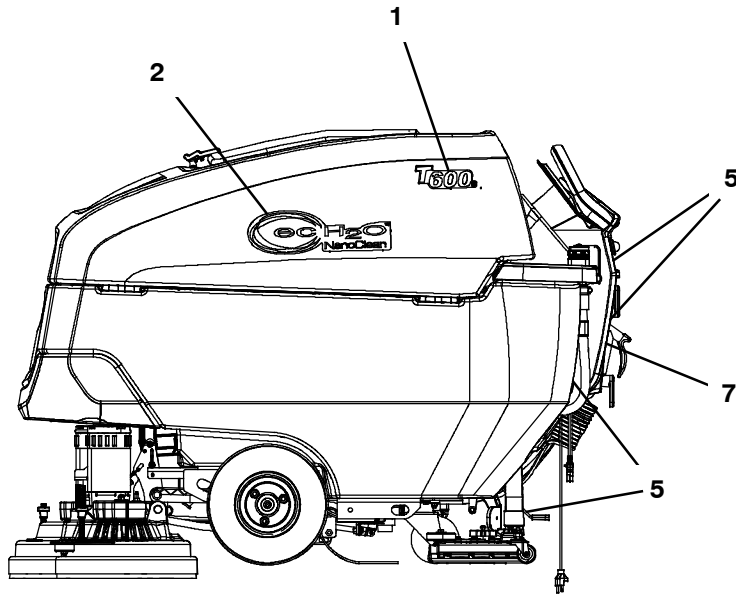


ORBITAL HEAD

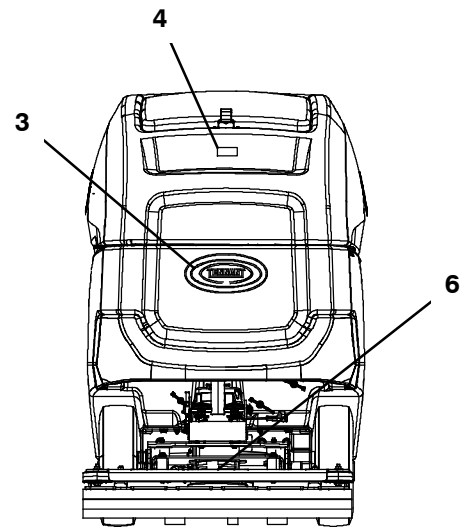
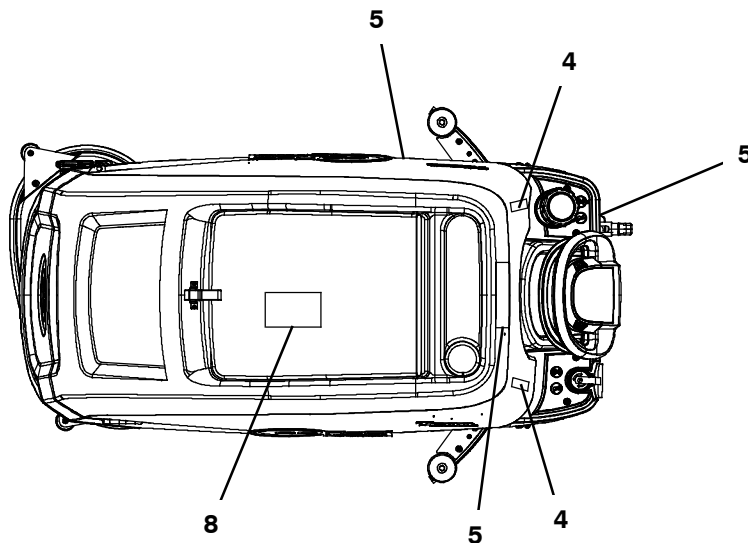
| Ref. | Part No. | Serial Number         | Description                           | Qty. |
|------|----------|-----------------------|---------------------------------------|------|
| 1    | 1231361  | (10000000- 20000000 ) | Label, Logo, [T600e]                  | 2    |
| 1    | 1231360  | (10000000- 20000000 ) | Label, Logo, [T600]                   | 2    |
| 2    | 1216520  | (10000000- 20000000 ) | Label, Logo [Ech2o Nano]              | 2    |
| 3    | 1231367  | (10000000- 20000000 ) | Label, Logo, 7.00l, Blk/Stl [Tennant] | 1    |
| 4    | 1220962  | (10000000- 20000000 ) | Label Sheet, Info/Hzrd [T500, Na]     | 1    |
| 5    | 1234509  | (10000000- 20000000 ) | Label Sheet, Operational [T600/T600e] | 1    |
| 6    | 1224995  | (10000000- 20000000 ) | Label, Orbital, Size, 70cm            | 1    |
| 7    | 1225763  | (10000000- 20000000 ) | Label, Decal, Charger, Off- Board     | 1    |

STANDARD LABEL GROUP (BRAZIL)

355662



DISK & CYLINDRICAL HEAD



ORBITAL HEAD

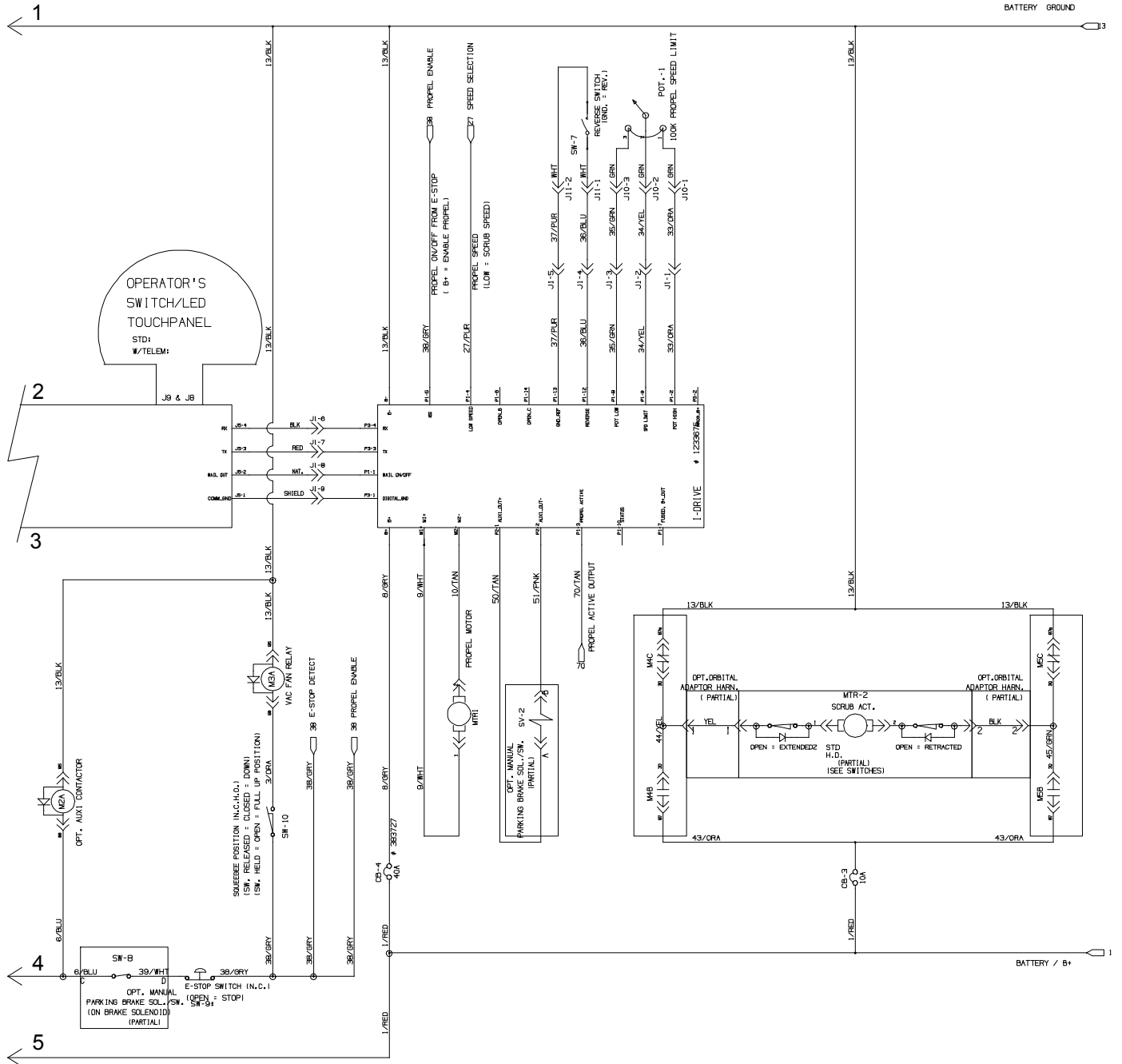
| Ref. | Part No. | Serial Number         | Description                           | Qty. |
|------|----------|-----------------------|---------------------------------------|------|
| 1    | 1231360  | (10000000- 20000000 ) | Label, Logo, [T600]                   | 2    |
| 1    | 1231361  | (10000000- 20000000 ) | Label, Logo, [T600e]                  | 2    |
| 2    | 1216520  | (10000000- 20000000 ) | Label, Logo [Ech2o Nano]              | 2    |
| 3    | 1231367  | (10000000- 20000000 ) | Label, Logo, 7.00l, Blk/Stl [Tennant] | 1    |
| 4    | 1220963  | (10000000- 20000000 ) | Label Sheet, Info/Hzrd [T500, Ce]     | 1    |
| 5    | 1234509  | (10000000- 20000000 ) | Label Sheet, Operational [T600/T600e] | 1    |
| 6    | 1224995  | (10000000- 20000000 ) | Label, Orbital, Size, 70cm            | 1    |
| 7    | 1225763  | (10000000- 20000000 ) | Label, Decal, Charger, Off- Board     | 1    |
| 8    | 1239010  | (10000000- 20000000 ) | Label, Instr, Battery [Emea]          | 1    |



ELECTRICAL DIAGRAM T600e MODEL (PAGE 2 OF 6)

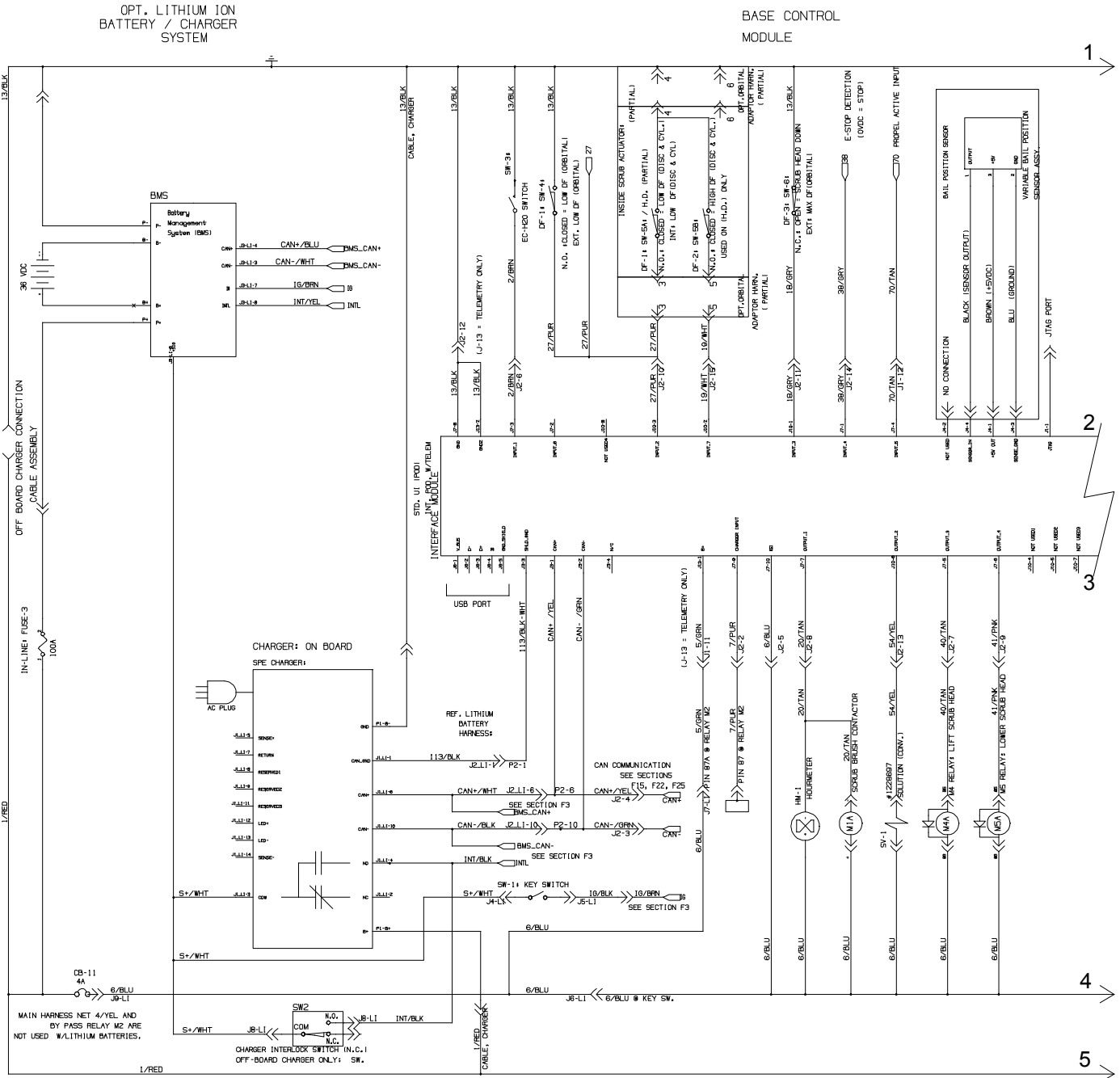
1076283\_01

PROPEL SYSTEM



ELECTRICAL DIAGRAM T600e MODEL (PAGE 3 OF 6)

1076283\_01

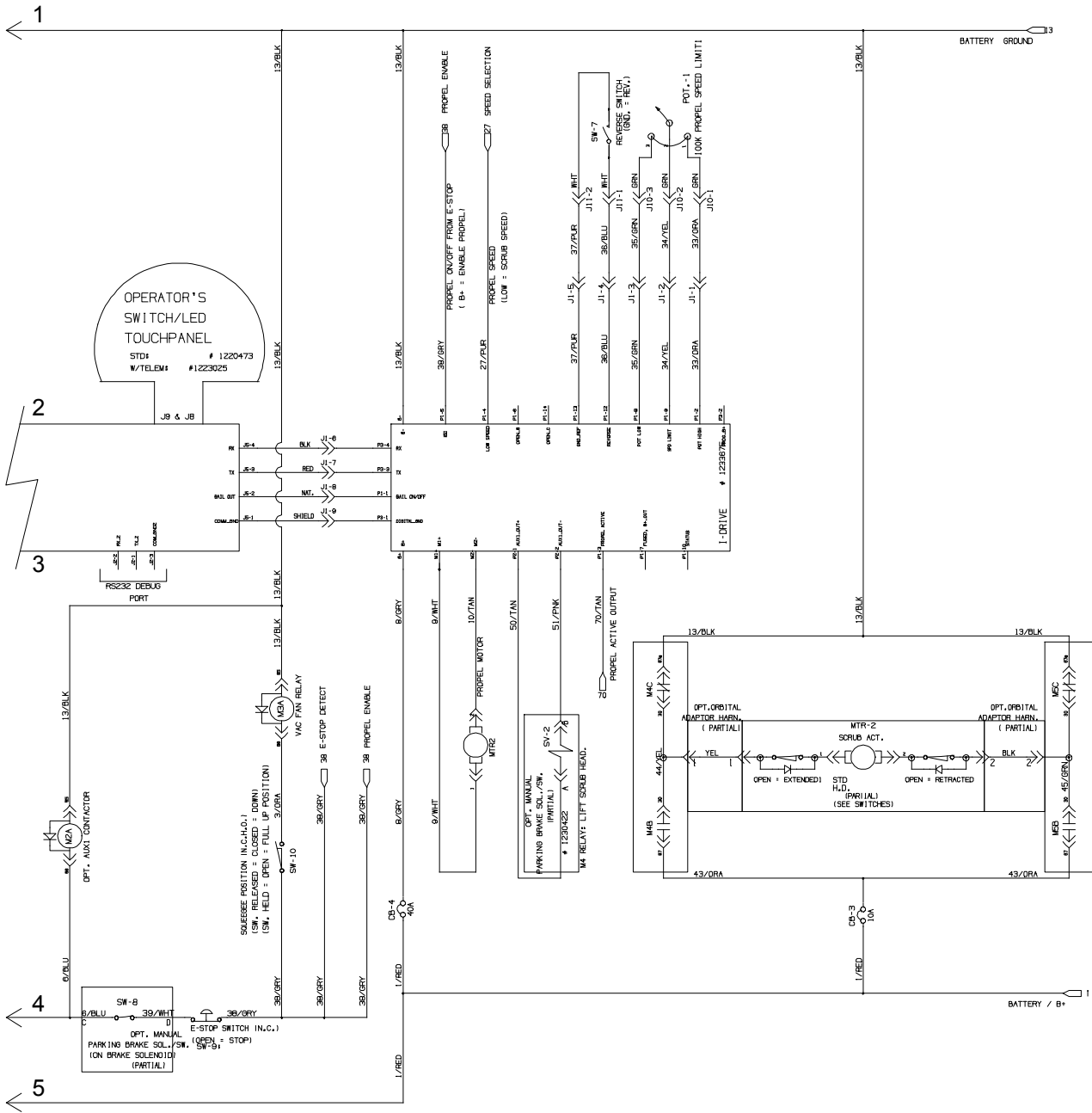




ELECTRICAL DIAGRAM T600e MODEL (PAGE 4 OF 6)

1076283\_01

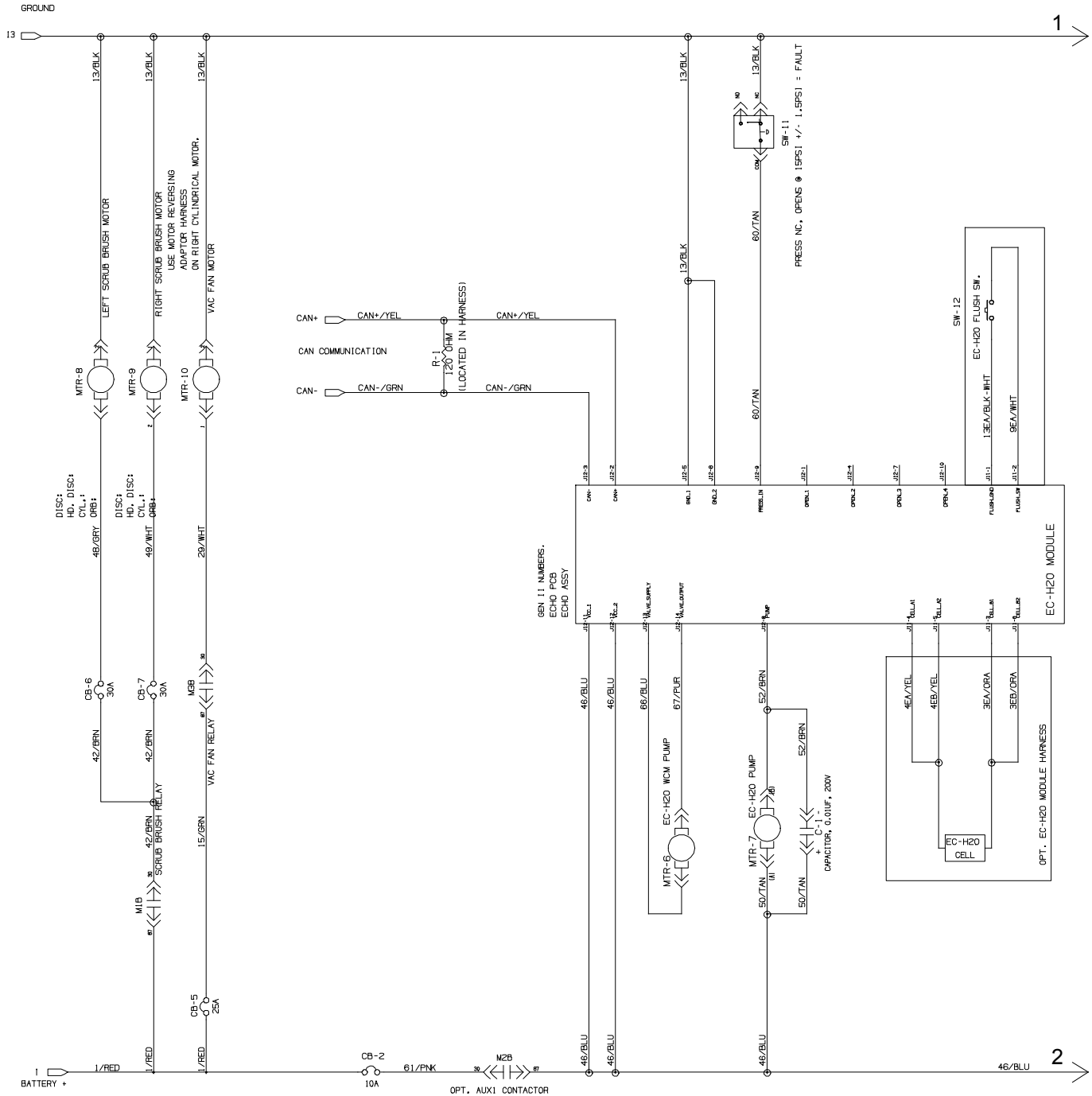
PROPEL SYSTEM



## ELECTRICAL DIAGRAM T600e MODEL (PAGE 5 OF 6)

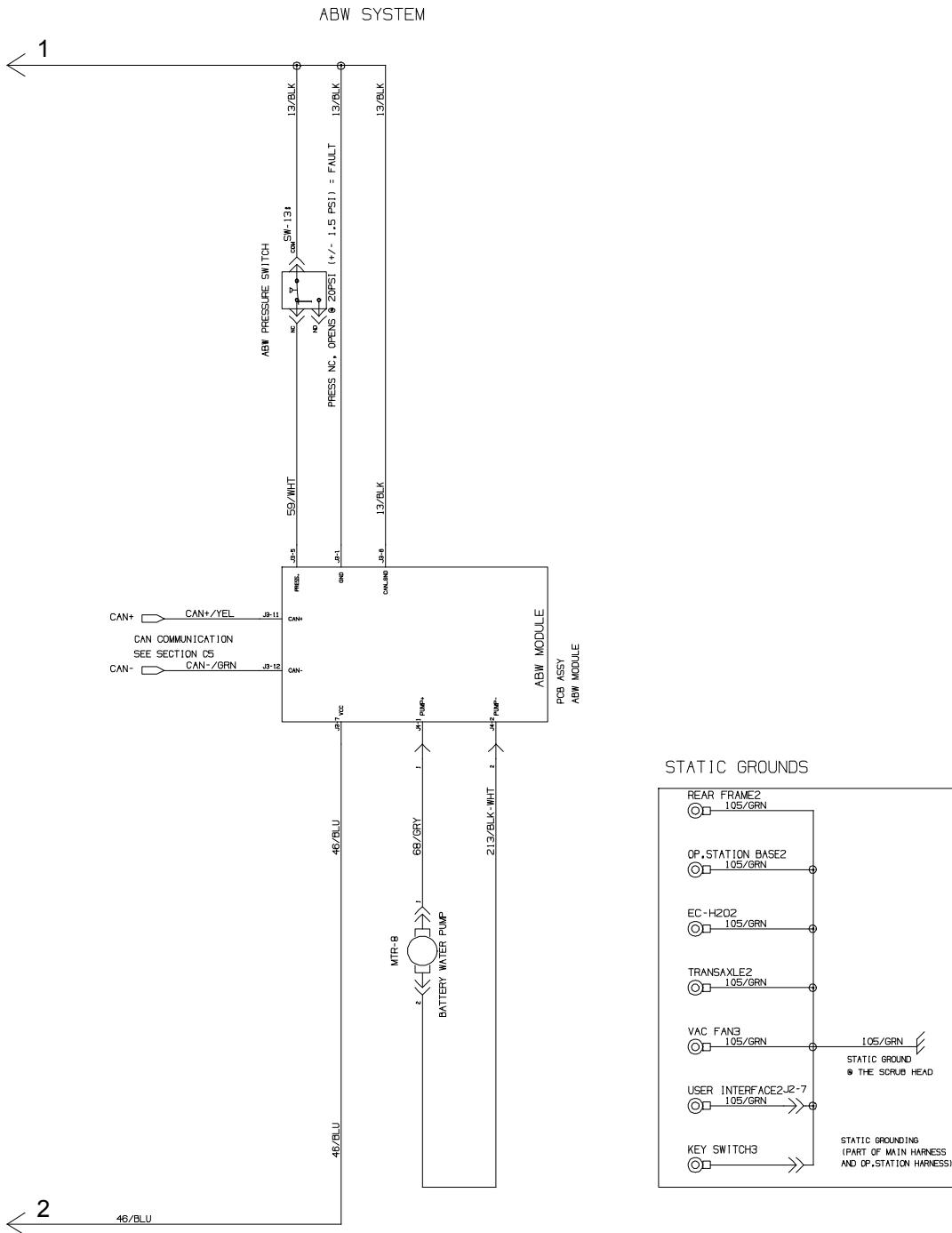
1076283\_01

EC-H2O MODULE



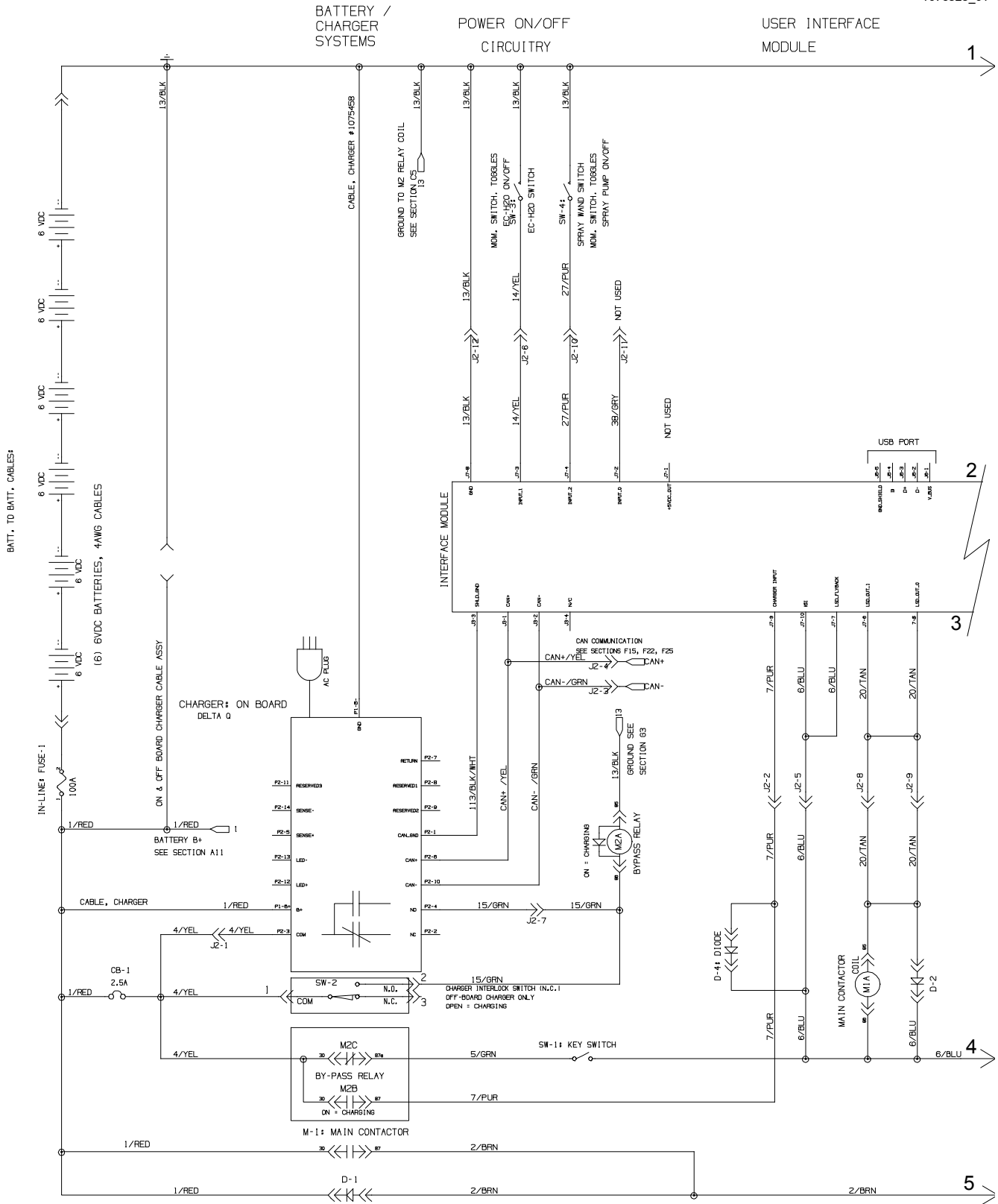
ELECTRICAL DIAGRAM T600e MODEL (PAGE 6 OF 6)

1076283\_01



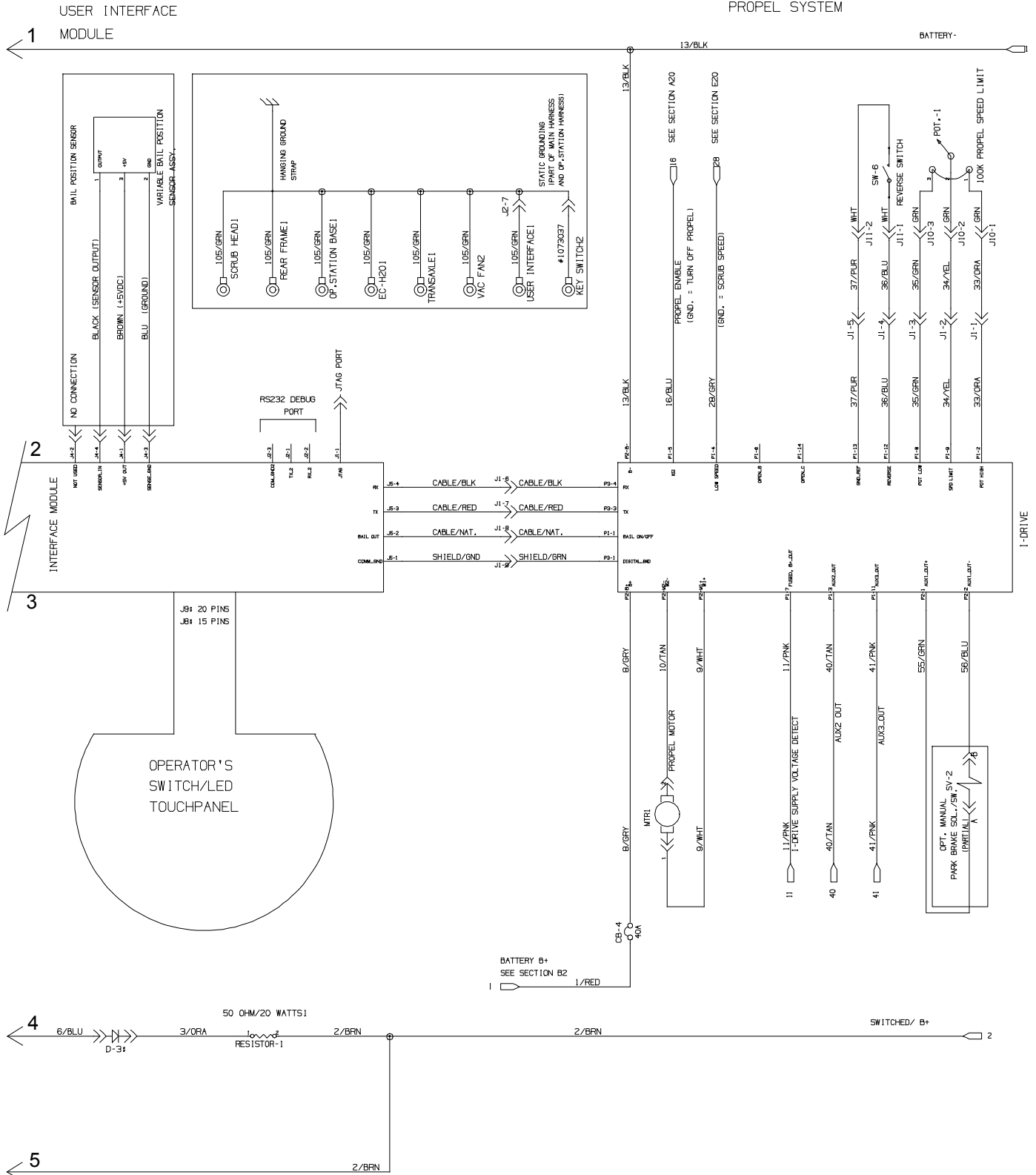
ELECTRICAL DIAGRAM T600 MODEL (PAGE 1 OF 6)

1076325\_01



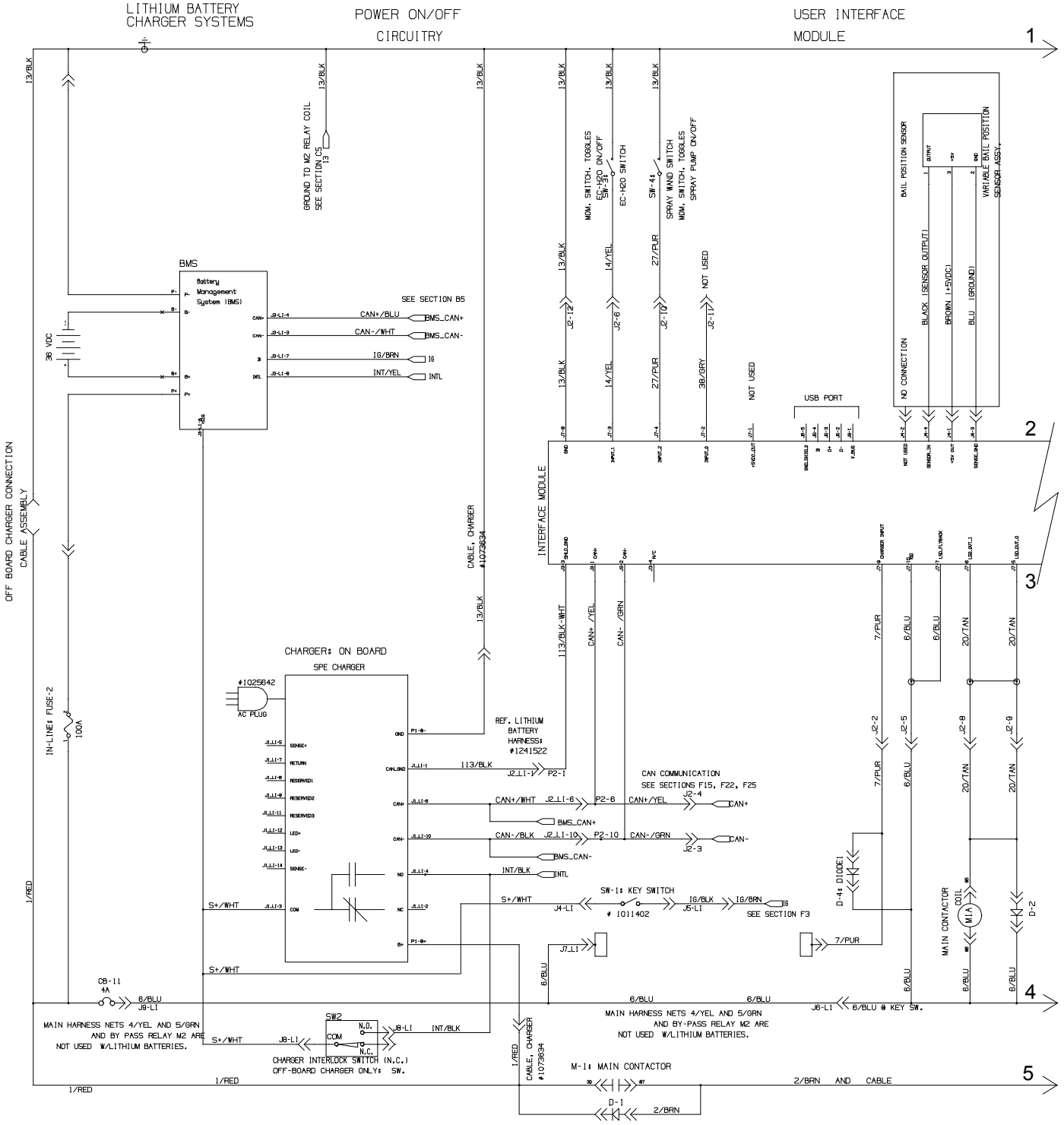
ELECTRICAL DIAGRAM T600 MODEL (PAGE 2 OF 6)

1076325\_01



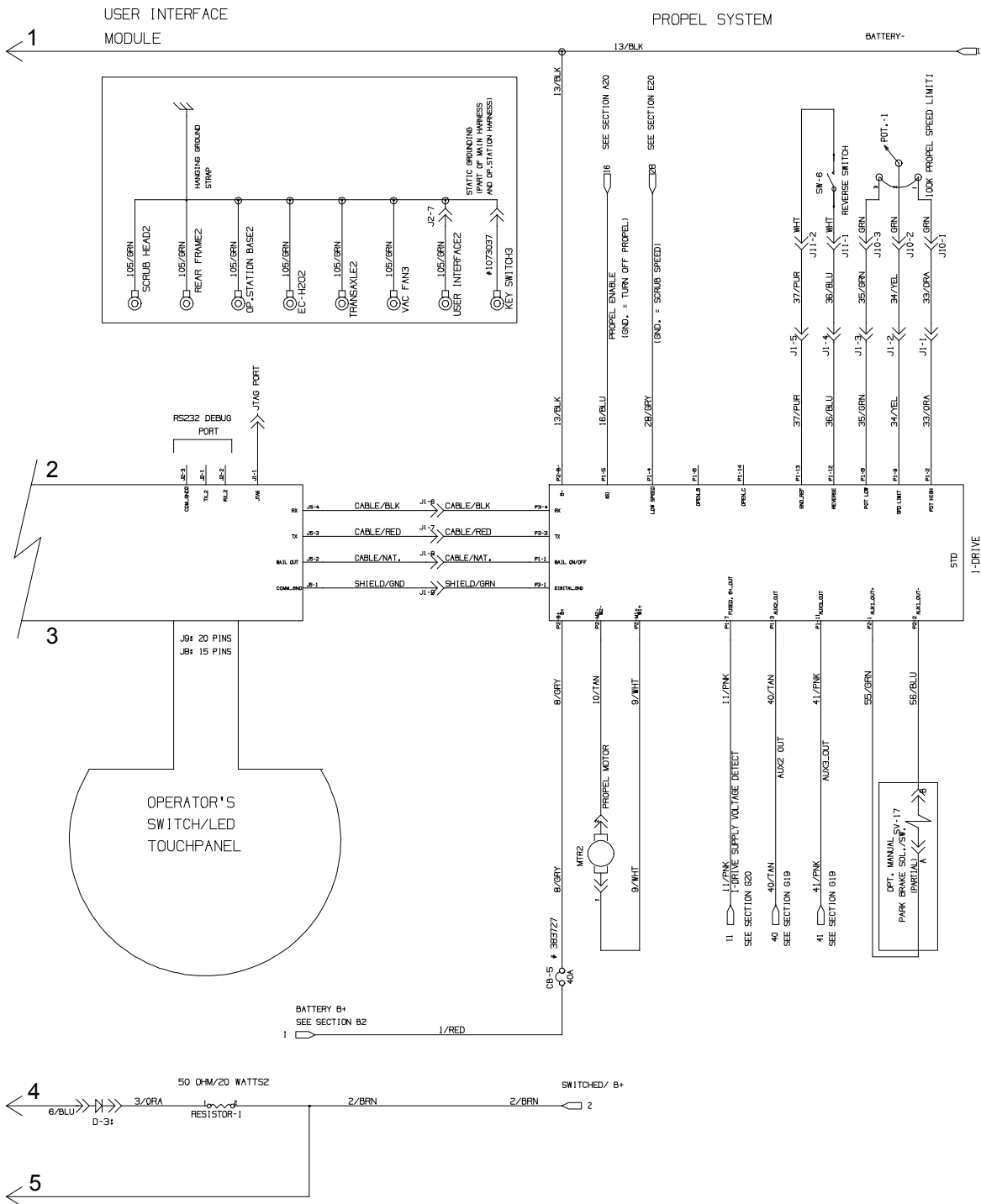
ELECTRICAL DIAGRAM T600 MODEL (PAGE 3 OF 6)

1076325\_01



ELECTRICAL DIAGRAM T600 MODEL (PAGE 4 OF 6)

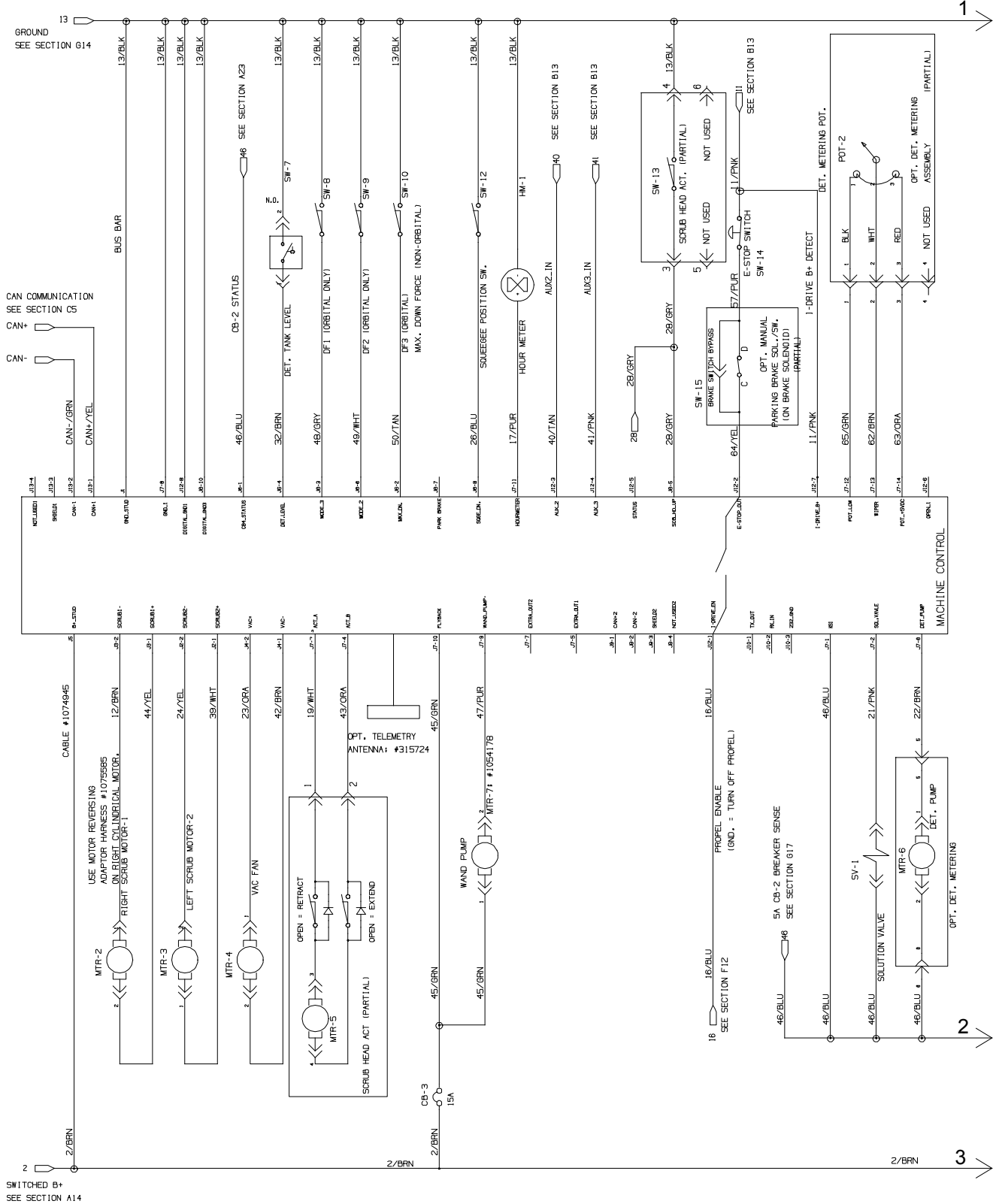
1076325\_01



ELECTRICAL DIAGRAM T600 MODEL (PAGE 5 OF 6)

1076325\_01

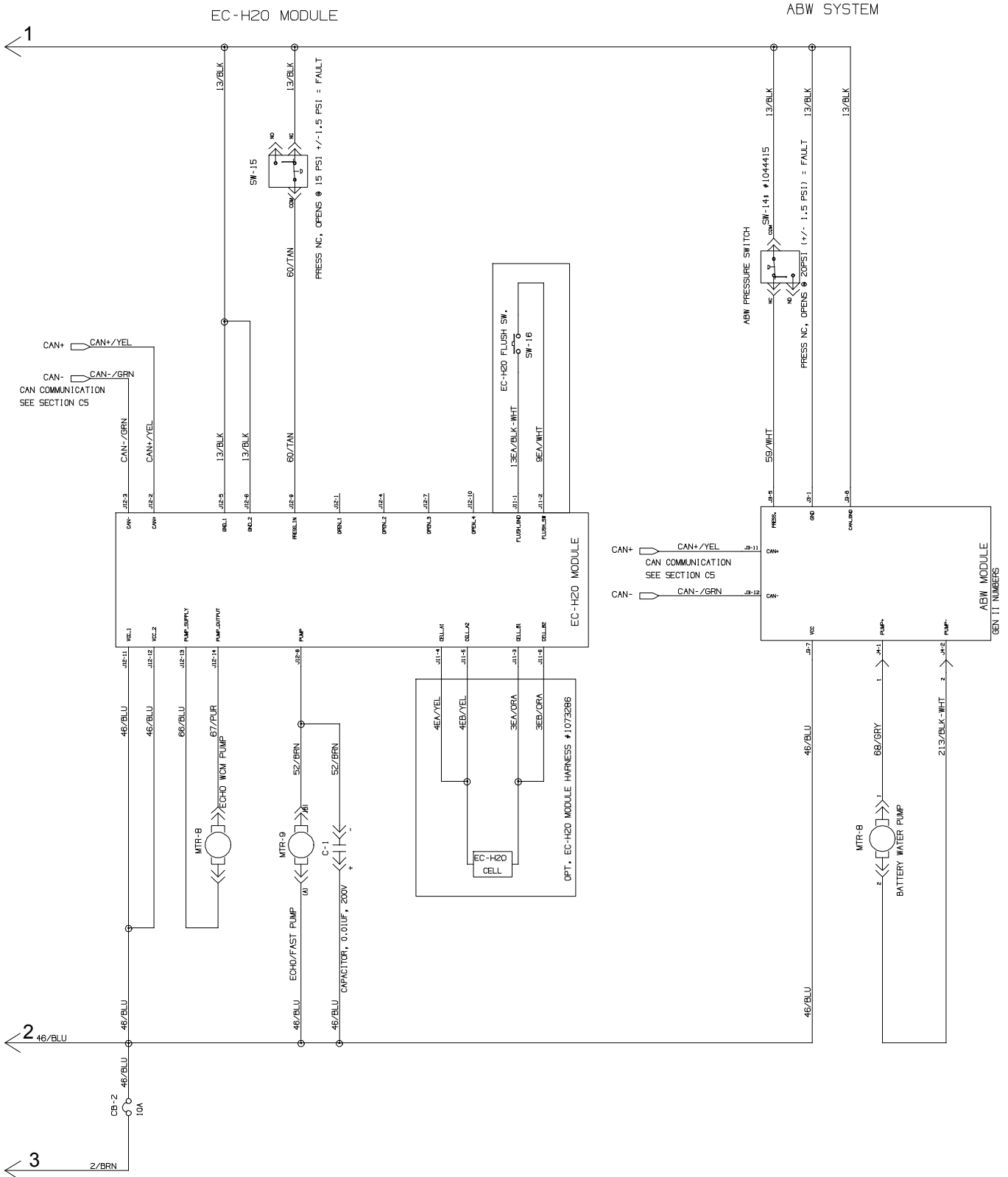
PREMIUM CONTROLLER





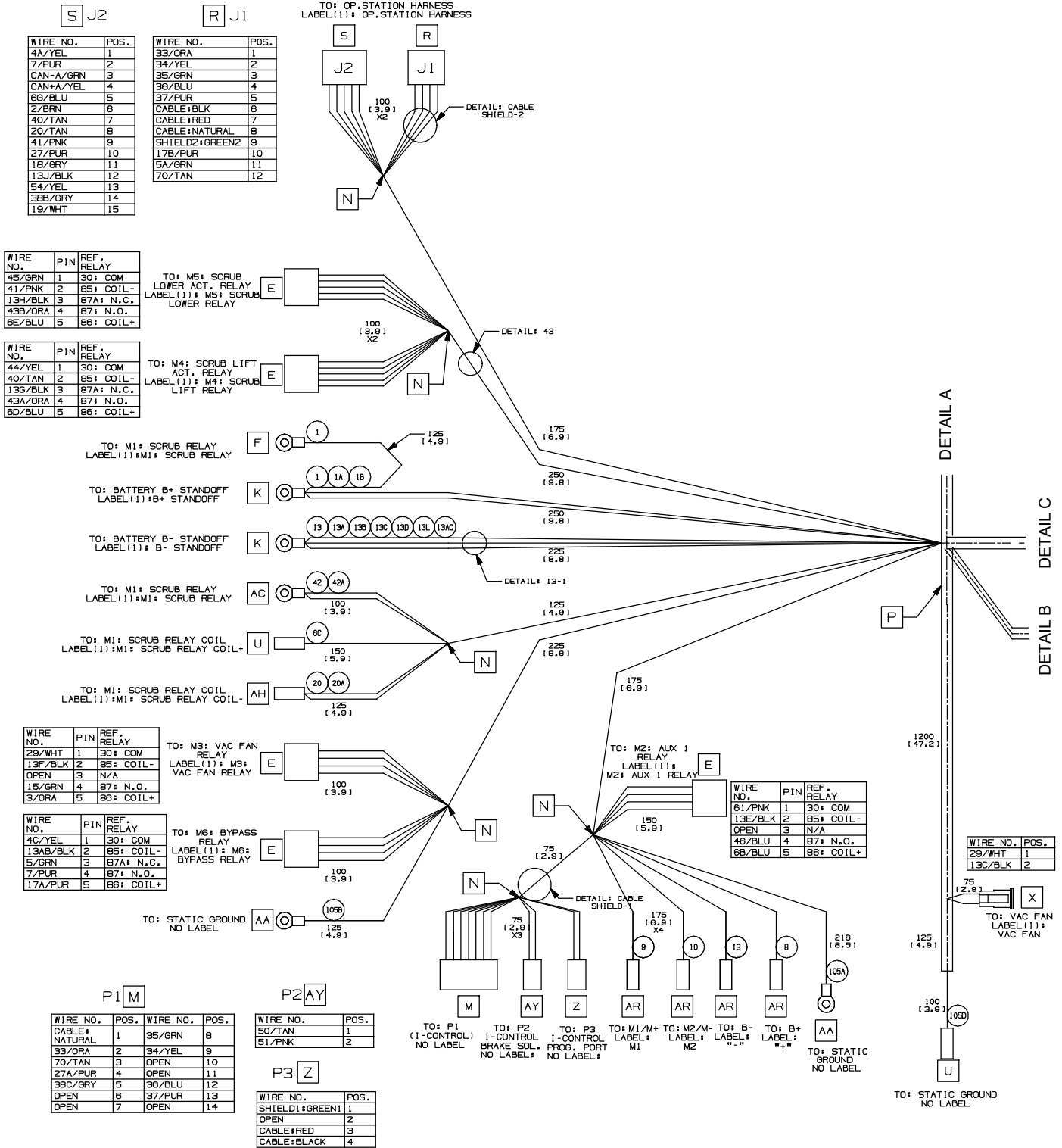
ELECTRICAL DIAGRAM T600 MODEL (PAGE 6 OF 6)

1076325\_01



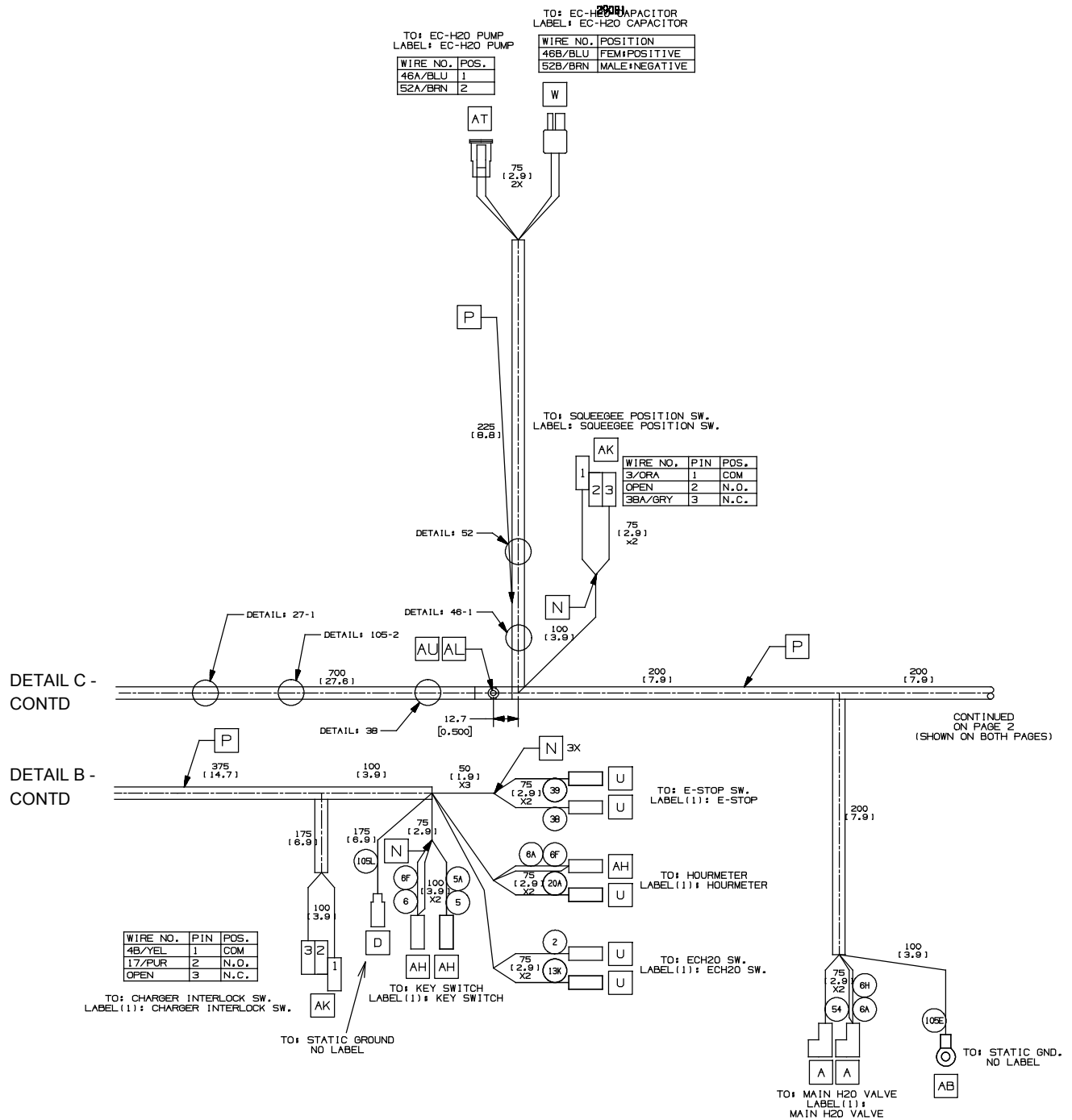
ELECTRICAL HARNESS, MAIN T600e MODEL (PAGE 1 OF 5)

1075507\_03



ELECTRICAL HARNESS, MAIN T600e MODEL (PAGE 2 OF 5)

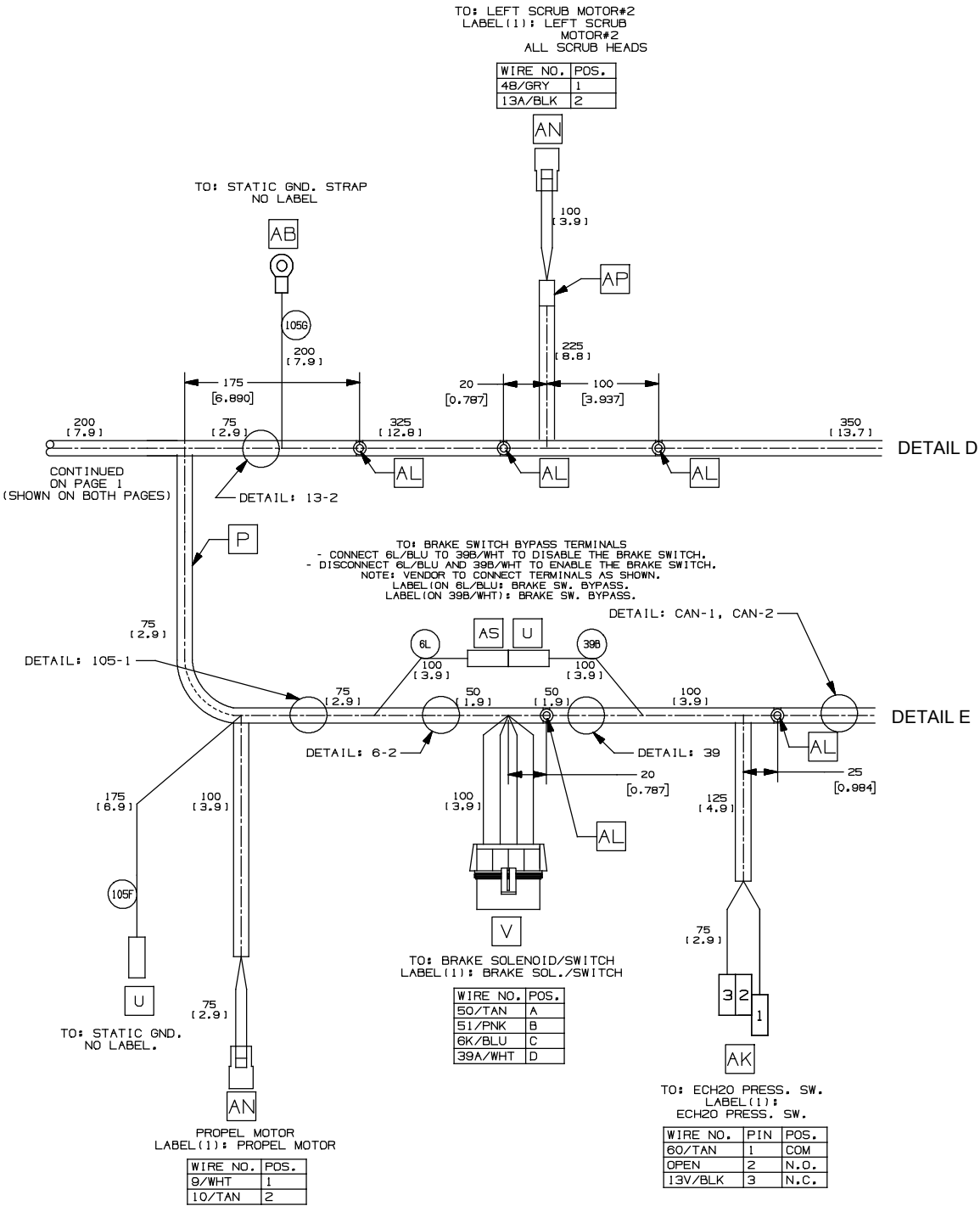
1075507\_03



CONTINUED ON PAGE 2 (SHOWN ON BOTH PAGES)

ELECTRICAL HARNESS, MAIN T600e MODEL (PAGE 3 OF 5)

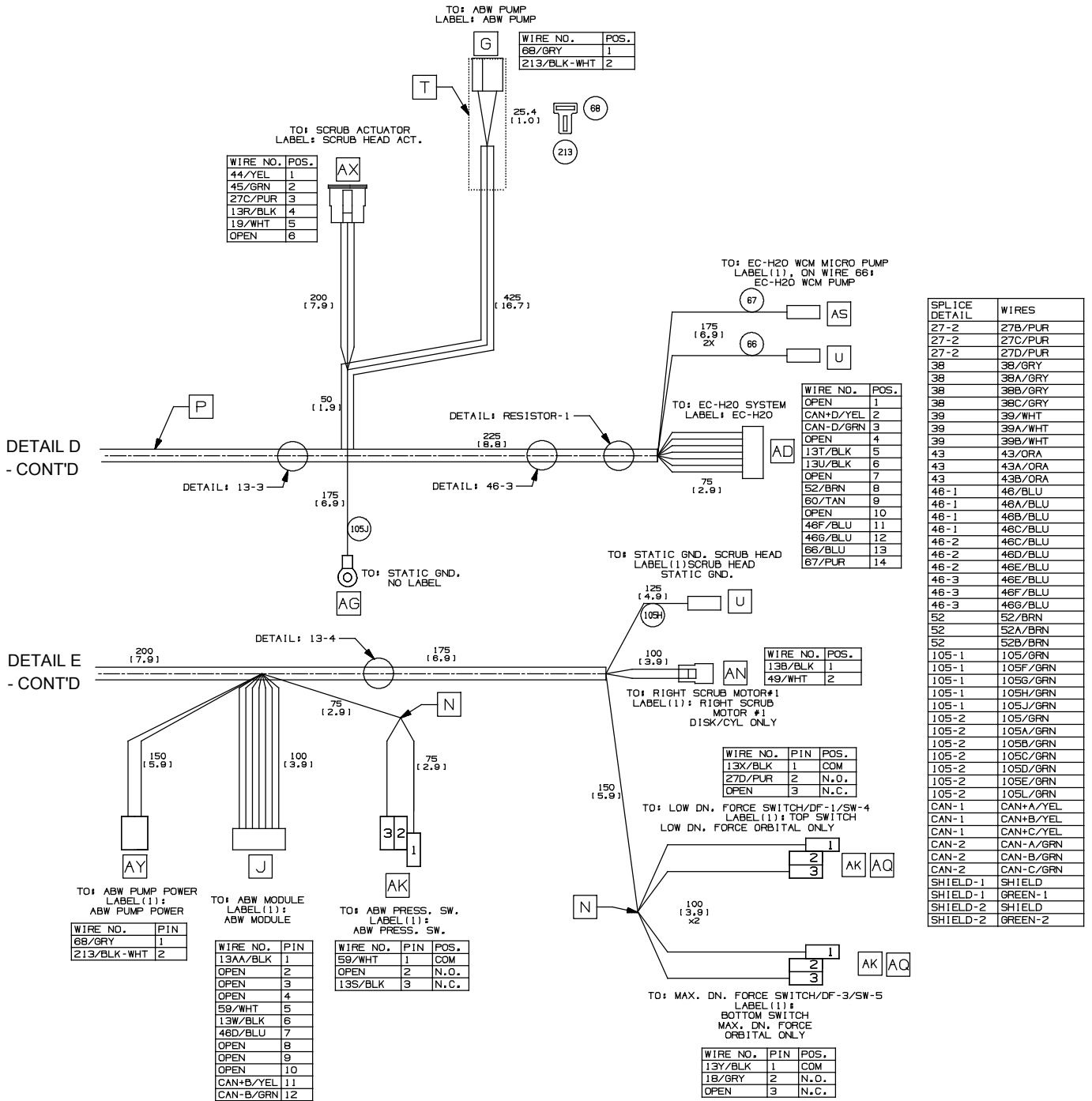
1075507\_03



| SPLICE DETAIL | WIRES    |
|---------------|----------|
| 1             | 1B/RED   |
| 1             | 1C/RED   |
| 1             | 1D/RED   |
| 1             | 1E/RED   |
| 1             | 1G/RED   |
| 4             | 4/YEL    |
| 4             | 4A/YEL   |
| 4             | 4B/YEL   |
| 4             | 4C/YEL   |
| 6-1           | 6/BLU    |
| 6-1           | 6B/BLU   |
| 6-1           | 6C/BLU   |
| 6-1           | 6D/BLU   |
| 6-1           | 6E/BLU   |
| 6-1           | 6F/BLU   |
| 6-2           | 6H/BLU   |
| 6-2           | 6K/BLU   |
| 6-2           | 6L/BLU   |
| 13-1          | 13D/BLK  |
| 13-1          | 13F/BLK  |
| 13-1          | 13G/BLK  |
| 13-1          | 13H/BLK  |
| 13-1          | 13J/BLK  |
| 13-1          | 13AB/BLK |
| 13-2          | 13L/BLK  |
| 13-2          | 13M/BLK  |
| 13-2          | 13N/BLK  |
| 13-3          | 13M/BLK  |
| 13-3          | 13R/BLK  |
| 13-3          | 13T/BLK  |
| 13-3          | 13U/BLK  |
| 13-4          | 13N/BLK  |
| 13-4          | 13V/BLK  |
| 13-4          | 13W/BLK  |
| 13-4          | 13X/BLK  |
| 13-4          | 13Y/BLK  |
| 13-4          | 13AA/BLK |
| 13-4          | 13S/BLK  |
| 13-5          | 13AC/BLK |
| 13-5          | 13K/BLK  |
| 13-5          | 13E/BLK  |
| 17            | 17/PUR   |
| 17            | 17A/PUR  |
| 17            | 17B/PUR  |
| 27-1          | 27/PUR   |
| 27-1          | 27A/PUR  |
| 27-1          | 27B/PUR  |

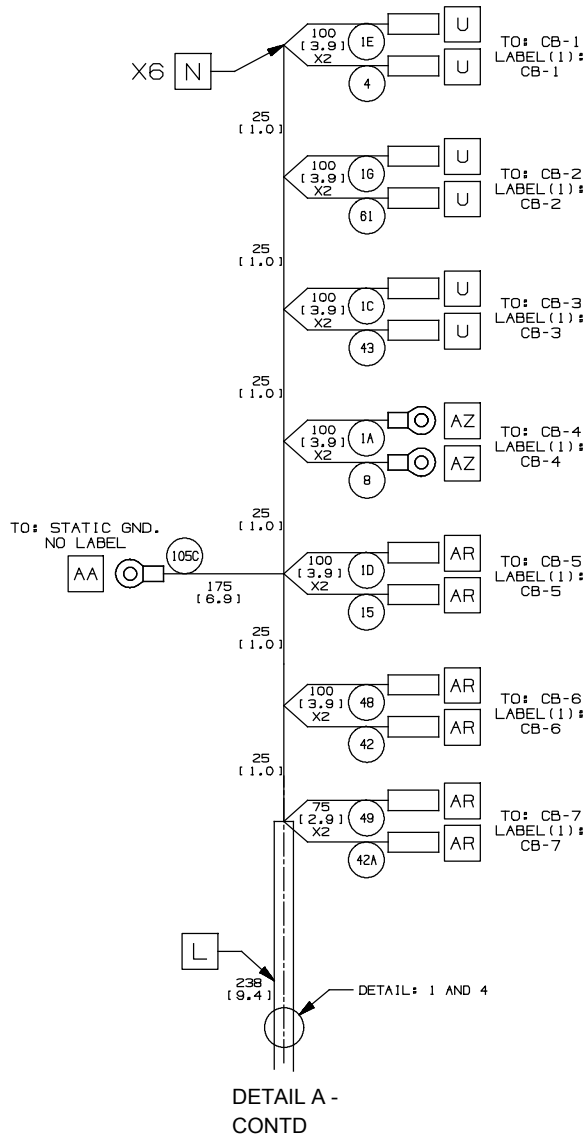
ELECTRICAL HARNESS, MAIN T600e MODEL (PAGE 4 OF 5)

1075507\_03



ELECTRICAL HARNESS, MAIN T600e MODEL (PAGE 5 OF 5)

1075507\_03

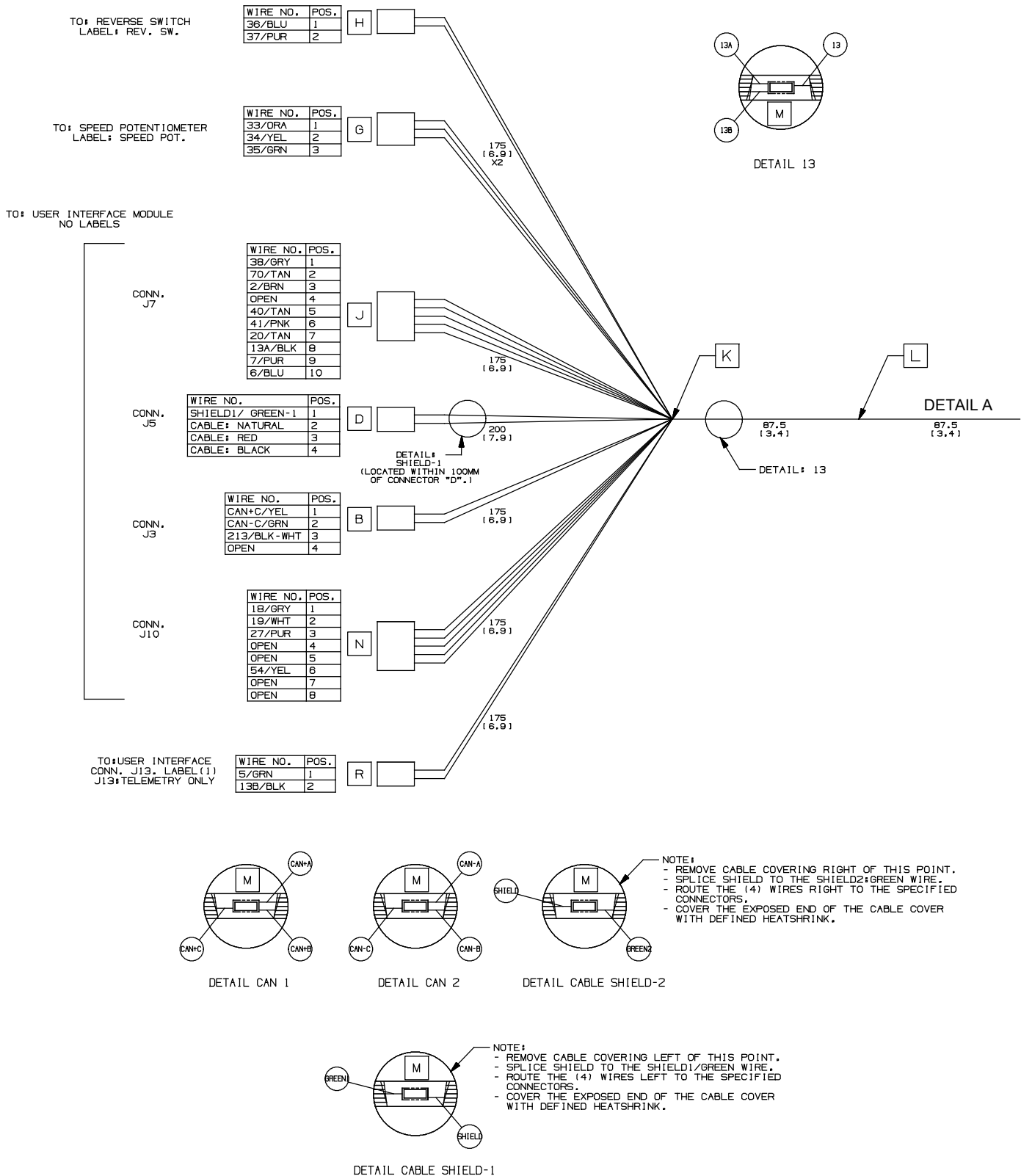


| Part No. | Serial Number        | Description                | Qty. |
|----------|----------------------|----------------------------|------|
| 1075507  | (10000000-20000000 ) | Harness, Main, Ele [T600e] | 1    |



## ELECTRICAL HARNESS, OPERATOR STATION T600e MODEL

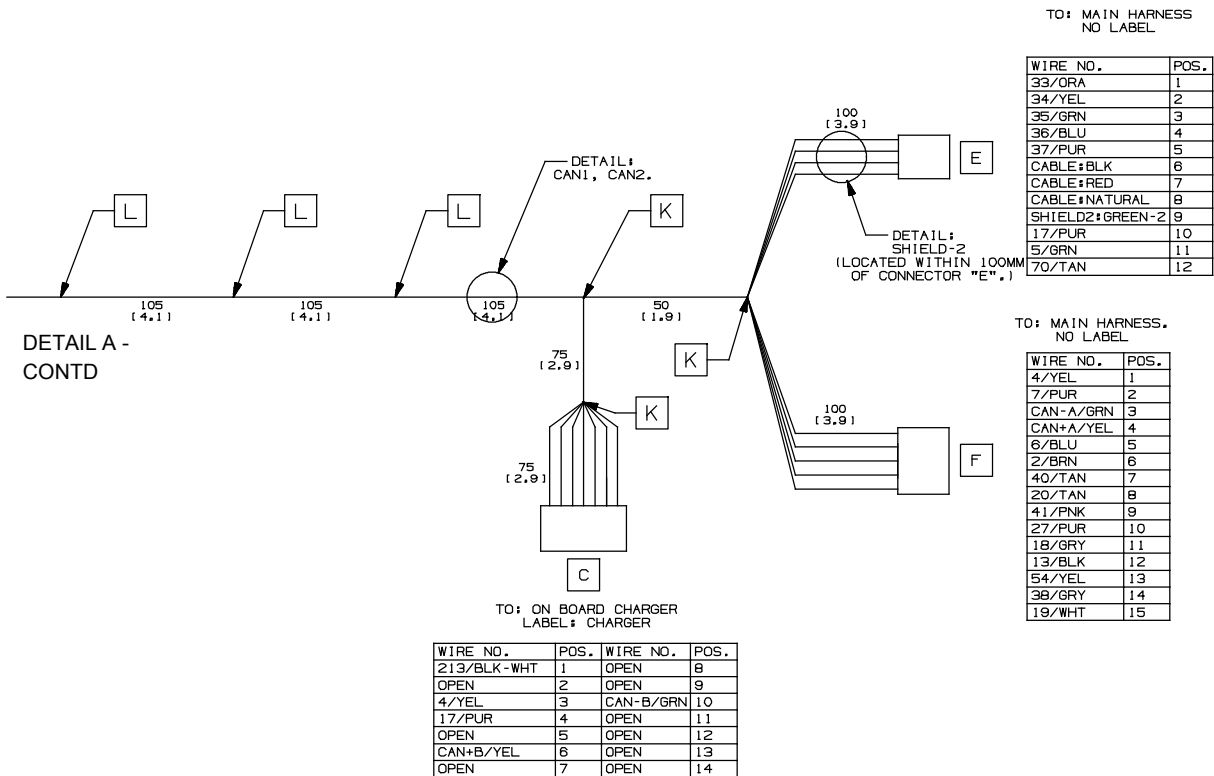
1075512\_04





ELECTRICAL HARNESS, OPERATOR STATION T600e MODEL

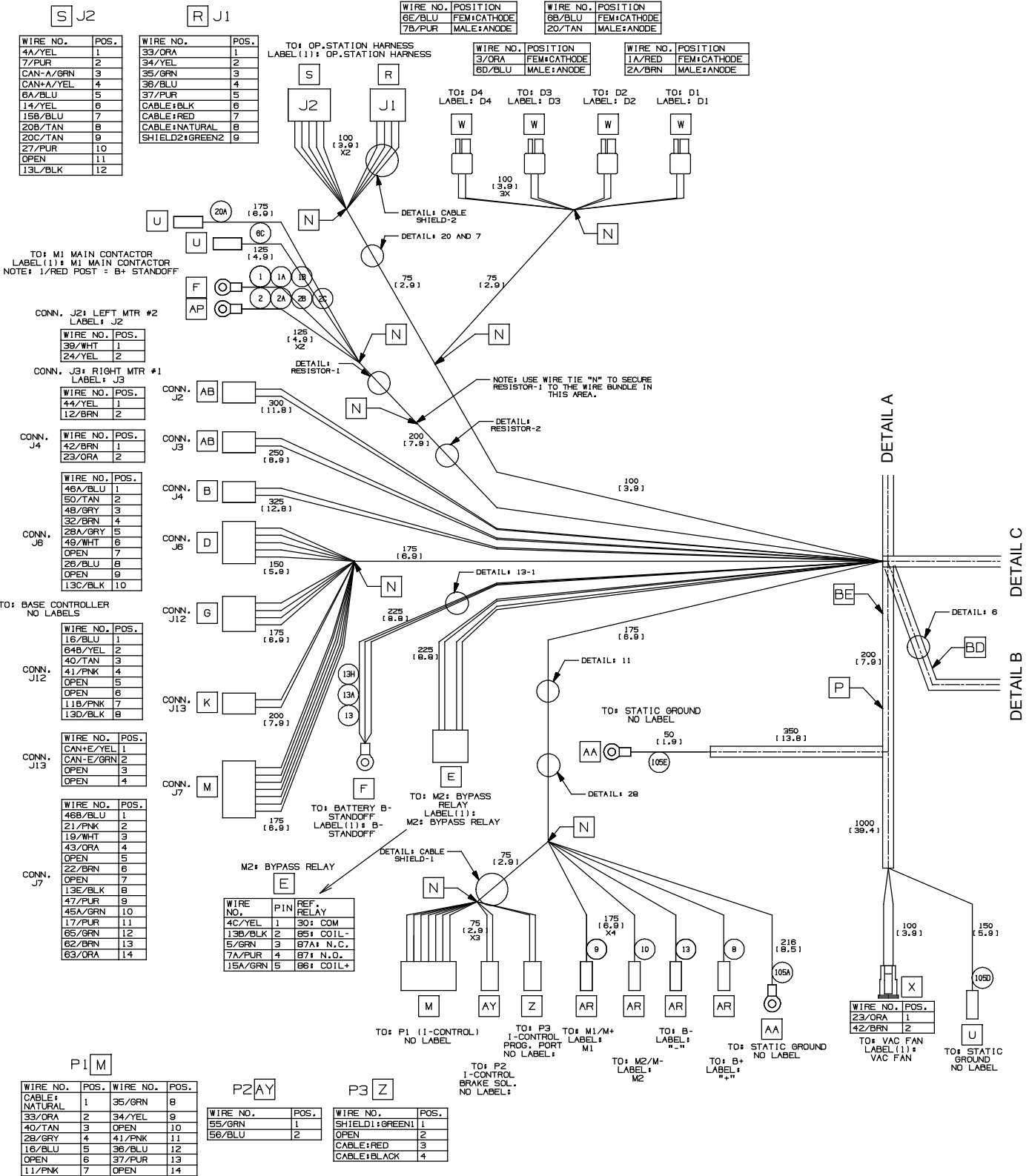
1075512\_04



| Part No. | Serial Number         | Description                       | Qty. |
|----------|-----------------------|-----------------------------------|------|
| 1075512  | (10000000- 20000000 ) | Harness, Ele [Op. Station, T600e] | 1    |

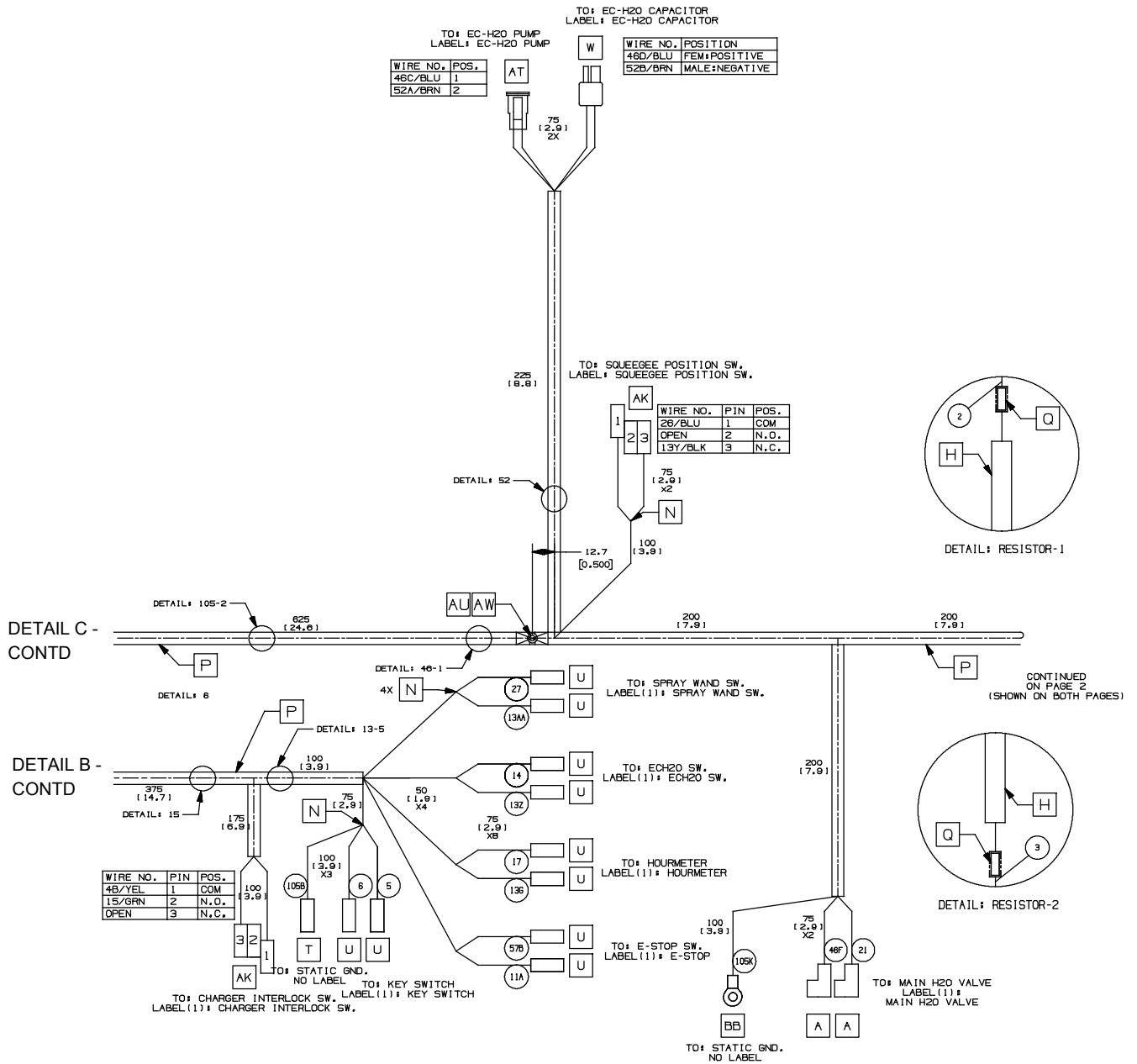
ELECTRICAL HARNESS, MAIN T600 MODEL (PAGE 1 OF 5)

1075520\_03



ELECTRICAL HARNESS, MAIN T600 MODEL (PAGE 2 OF 5)

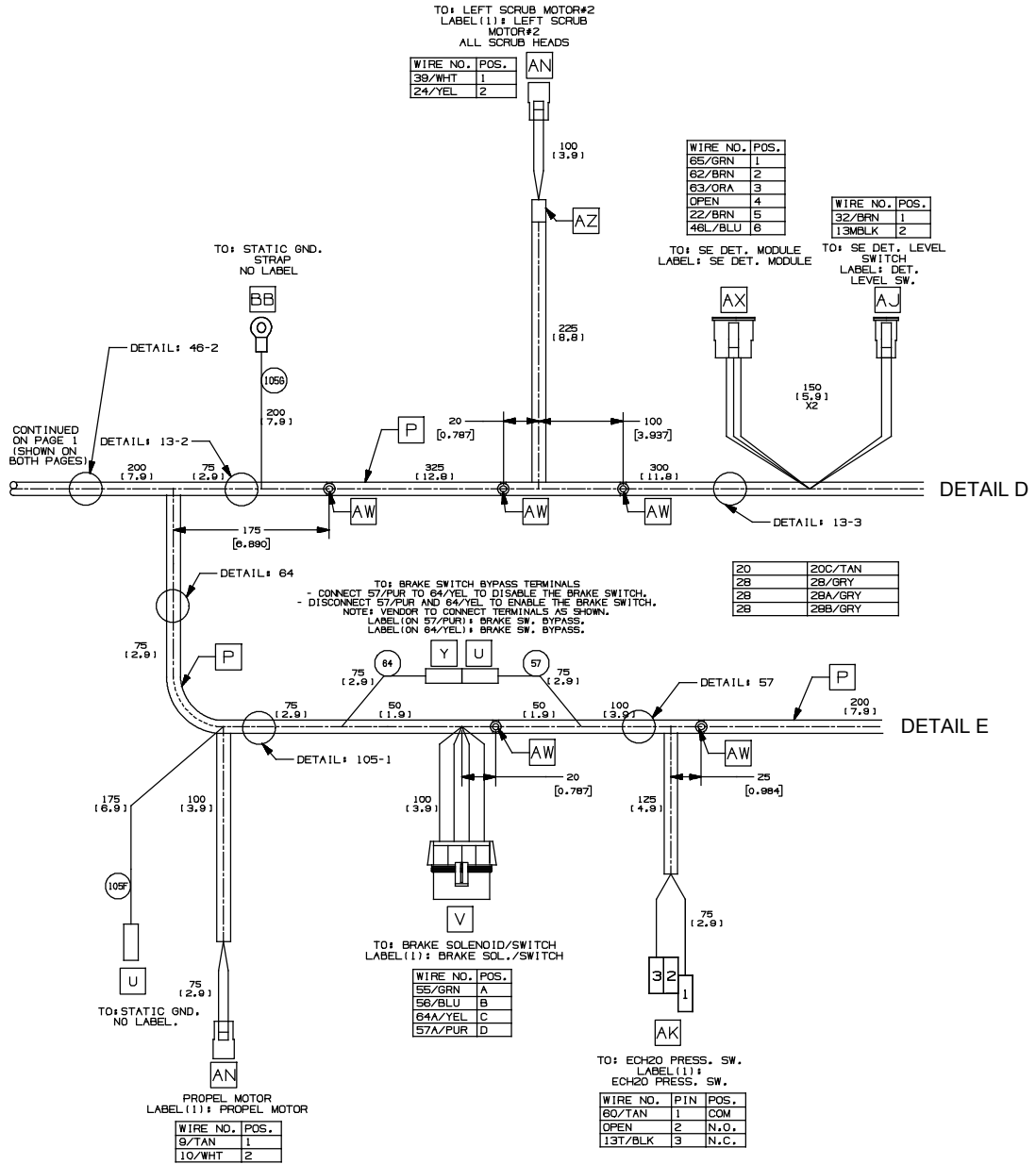
1075520\_03



## ELECTRICAL HARNESS, MAIN T600 MODEL (PAGE 3 OF 5)

1075520\_03

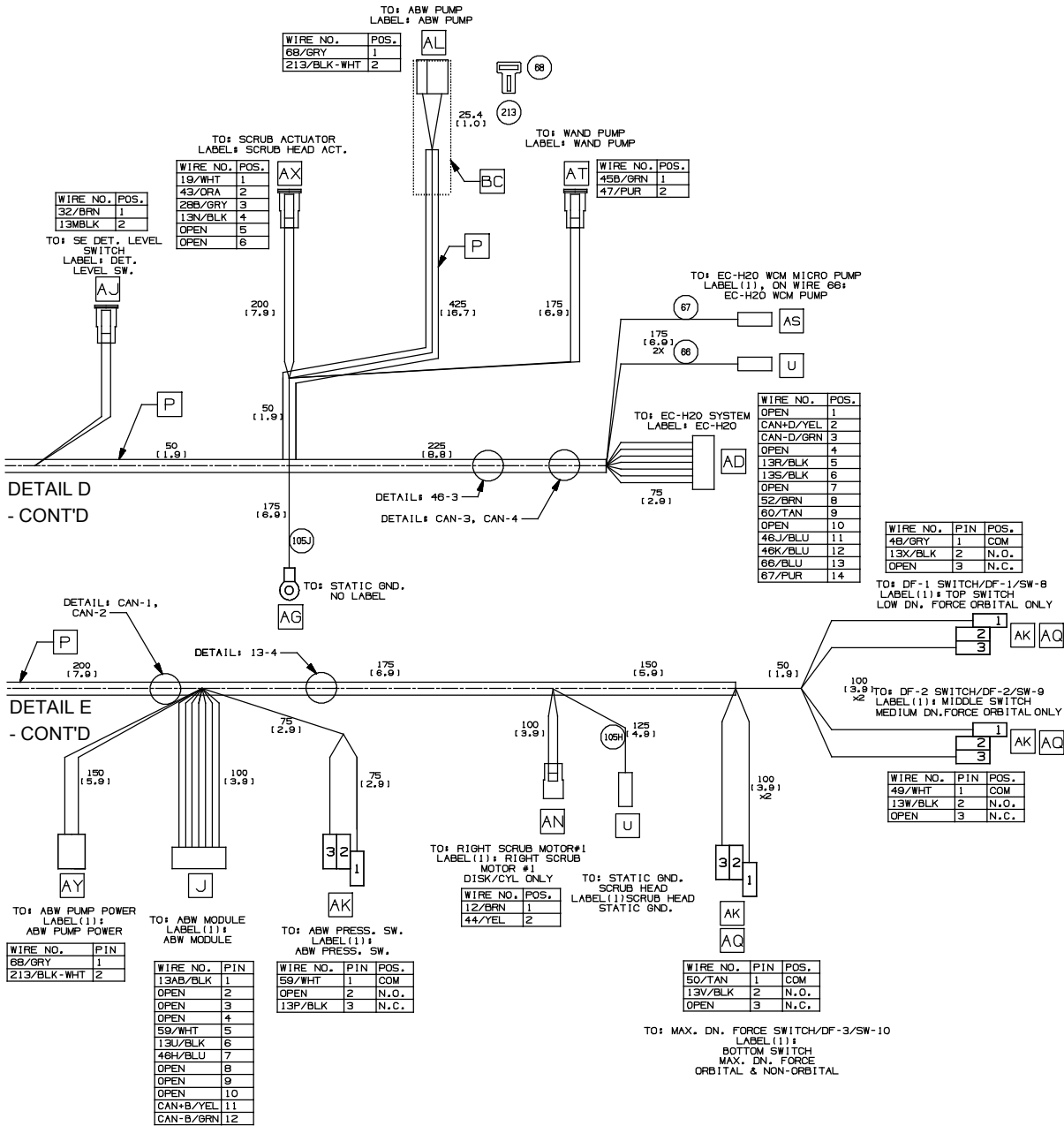
| SPLICE<br>DETAIL | WIRES    |
|------------------|----------|
| 4                | 4/YEL    |
| 4                | 4A/YEL   |
| 4                | 4B/YEL   |
| 4                | 4C/YEL   |
| 6                | 6/BLU    |
| 6                | 6A/BLU   |
| 6                | 6B/BLU   |
| 6                | 6C/BLU   |
| 6                | 6D/BLU   |
| 6                | 6E/BLU   |
| 7                | 7/PUR    |
| 7                | 7A/PUR   |
| 7                | 7B/PUR   |
| 11               | 11/PNK   |
| 11               | 11A/PNK  |
| 11               | 11B/PNK  |
| 13-1             | 13A/BLK  |
| 13-1             | 13B/BLK  |
| 13-1             | 13C/BLK  |
| 13-1             | 13D/BLK  |
| 13-1             | 13E/BLK  |
| 13-1             | 13F/BLK  |
| 13-1             | 13G/BLK  |
| 13-2             | 13H/BLK  |
| 13-2             | 13I/BLK  |
| 13-2             | 13J/BLK  |
| 13-2             | 13K/BLK  |
| 13-2             | 13L/BLK  |
| 13-2             | 13M/BLK  |
| 13-2             | 13N/BLK  |
| 13-2             | 13O/BLK  |
| 13-2             | 13P/BLK  |
| 13-2             | 13Q/BLK  |
| 13-2             | 13R/BLK  |
| 13-2             | 13S/BLK  |
| 13-2             | 13T/BLK  |
| 13-2             | 13U/BLK  |
| 13-2             | 13V/BLK  |
| 13-2             | 13W/BLK  |
| 13-2             | 13X/BLK  |
| 13-2             | 13Y/BLK  |
| 13-2             | 13Z/BLK  |
| 13-2             | 13AA/BLK |
| 15               | 15/GRN   |
| 15               | 15A/GRN  |
| 15               | 15B/GRN  |
| 20               | 20/TAN   |
| 20               | 20A/TAN  |
| 20               | 20B/TAN  |



ELECTRICAL HARNESS, MAIN T600 MODEL (PAGE 4 OF 5)

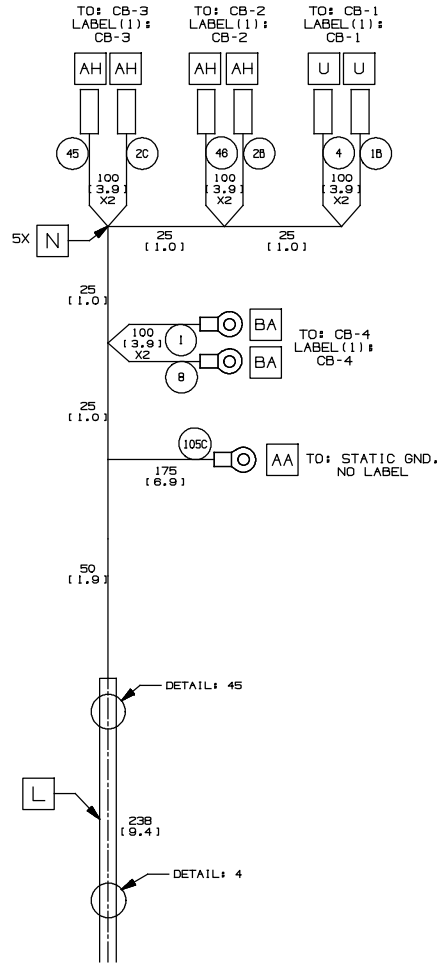
1075520\_03

| SPLICE<br>DETAIL | WIRES     |
|------------------|-----------|
| 45               | 45/GRN    |
| 45               | 45A/GRN   |
| 45               | 45B/GRN   |
| 46-1             | 46/BLU    |
| 46-1             | 46A/BLU   |
| 46-1             | 46B/BLU   |
| 46-1             | 46C/BLU   |
| 46-1             | 46D/BLU   |
| 46-1             | 46E/BLU   |
| 46-1             | 46F/BLU   |
| 46-2             | 46G/BLU   |
| 46-2             | 46H/BLU   |
| 46-2             | 46I/BLU   |
| 46-3             | 46J/BLU   |
| 46-3             | 46K/BLU   |
| 46-3             | 46L/BLU   |
| 52               | 52/BRN    |
| 52               | 52A/BRN   |
| 52               | 52B/BRN   |
| 57               | 57/PUR    |
| 57               | 57A/PUR   |
| 57               | 57B/PUR   |
| 64               | 64/YEL    |
| 64               | 64A/YEL   |
| 64               | 64B/YEL   |
| 105-1            | 105/GRN   |
| 105-1            | 105F/GRN  |
| 105-1            | 105G/GRN  |
| 105-1            | 105H/GRN  |
| 105-1            | 105J/GRN  |
| 105-2            | 105/GRN   |
| 105-2            | 105A/GRN  |
| 105-2            | 105B/GRN  |
| 105-2            | 105C/GRN  |
| 105-2            | 105D/GRN  |
| 105-2            | 105E/GRN  |
| 105-2            | 105K/GRN  |
| CAN-1            | CAN+A/YEL |
| CAN-1            | CAN+B/YEL |
| CAN-1            | CAN+C/YEL |
| CAN-2            | CAN-A/GRN |
| CAN-2            | CAN-B/GRN |
| CAN-2            | CAN-C/GRN |
| CAN-3            | CAN+C/YEL |
| CAN-3            | CAN+D/YEL |
| CAN-3            | CAN+E/YEL |
| CAN-4            | CAN-C/GRN |
| CAN-4            | CAN-D/GRN |
| CAN-4            | CAN-E/GRN |
| SHIELD-1         | SHIELD    |
| SHIELD-1         | GREEN-1   |
| SHIELD-2         | SHIELD    |
| SHIELD-2         | GREEN-2   |



ELECTRICAL HARNESS, MAIN T600 MODEL (PAGE 5 OF 5)

1075520\_03



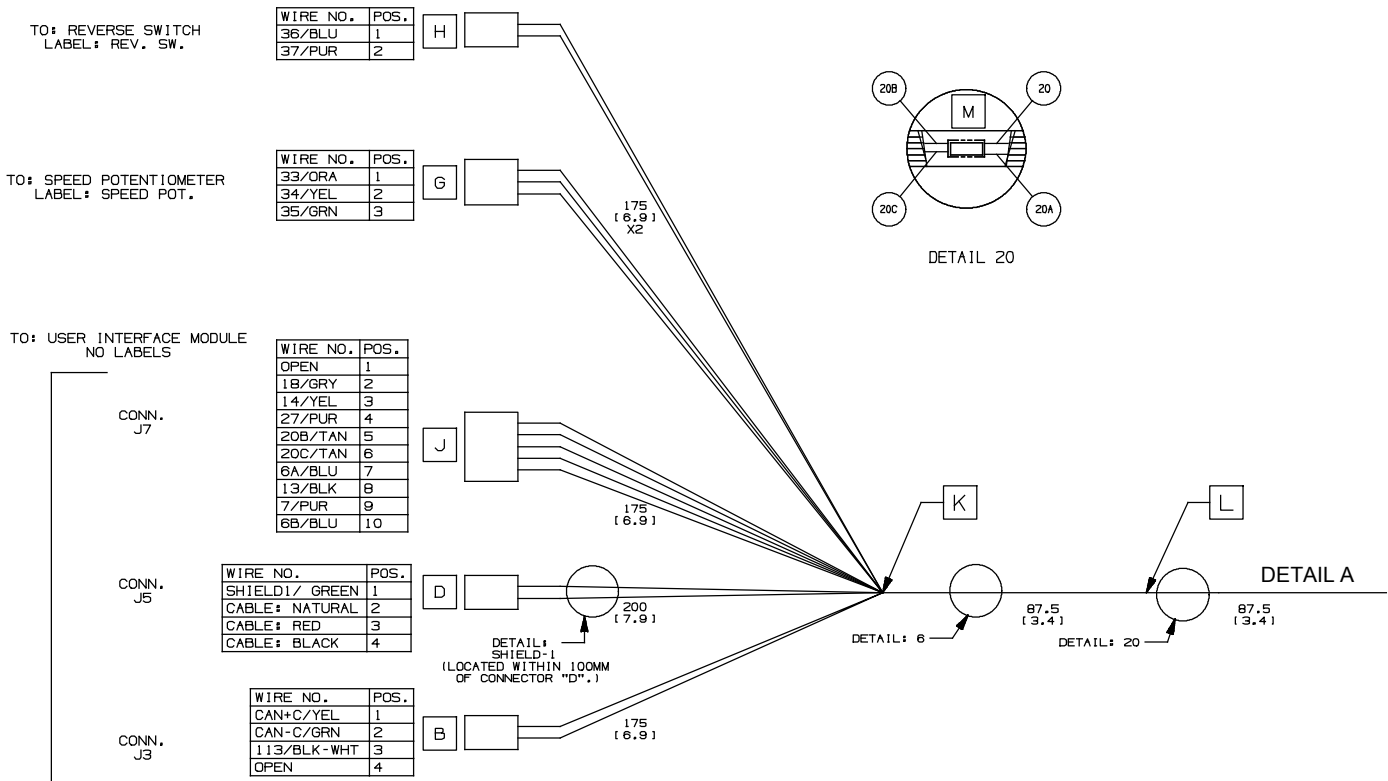
DETAIL A -  
CONTD

| Part No. | Serial Number        | Description               | Qty. |
|----------|----------------------|---------------------------|------|
| 1075520  | (10000000-20000000 ) | Harness, Main, Ele [T600] | 1    |
| 222290   | (10000000-20000000 ) | Diode, Ele, Plug          | 4    |

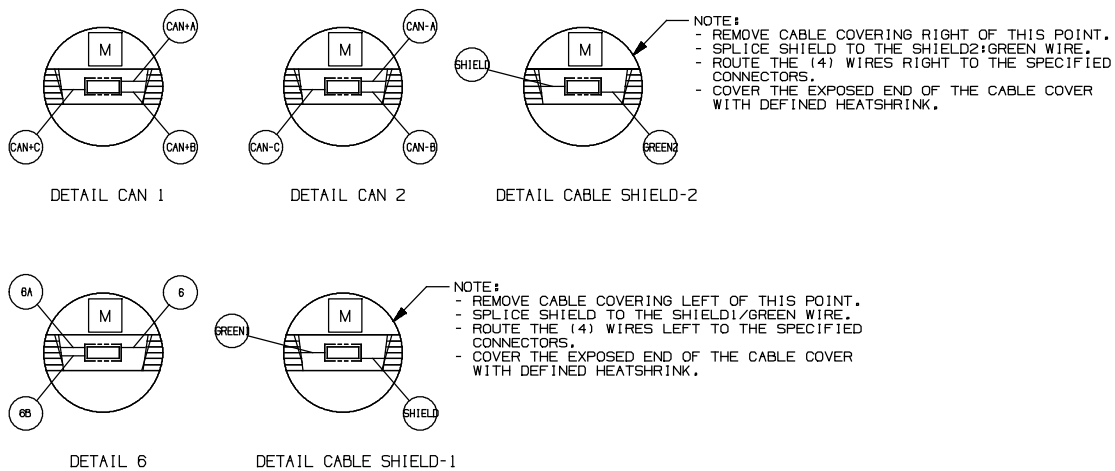


## ELECTRICAL HARNESS, OPERATOR STATION T600 MODEL

1075519\_01



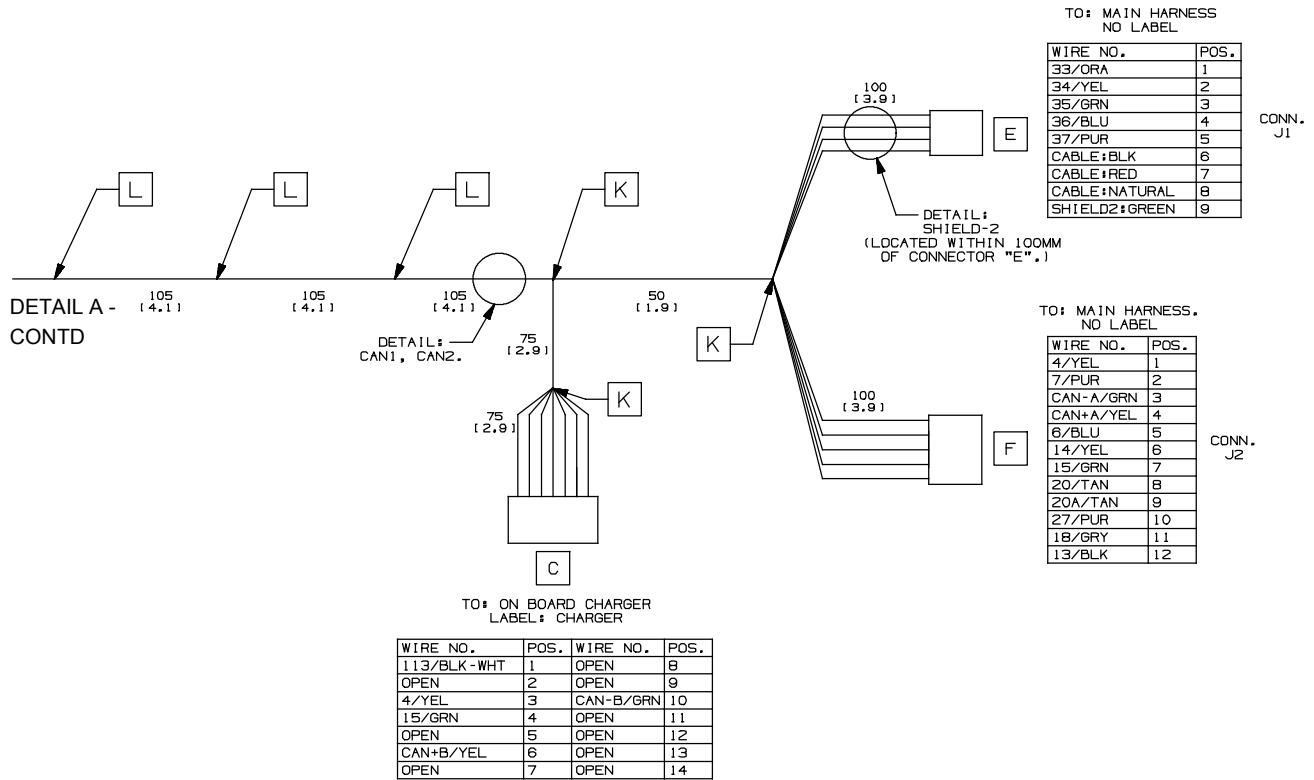
STATIC GROUND  
LABEL(1): STATIC GND.





ELECTRICAL HARNESS, OPERATOR STATION T600 MODEL

1075519\_01



| Part No. | Serial Number         | Description                      | Qty. |
|----------|-----------------------|----------------------------------|------|
| 1075519  | (10000000- 20000000 ) | Harness, Ele [Op. Station, T600] | 1    |

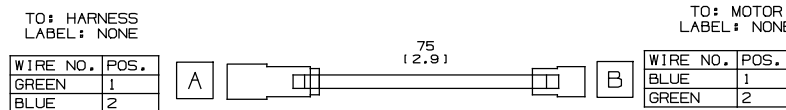
# STANDARD PARTS

## ELECTRICAL HARNESS, BAIL SWITCH

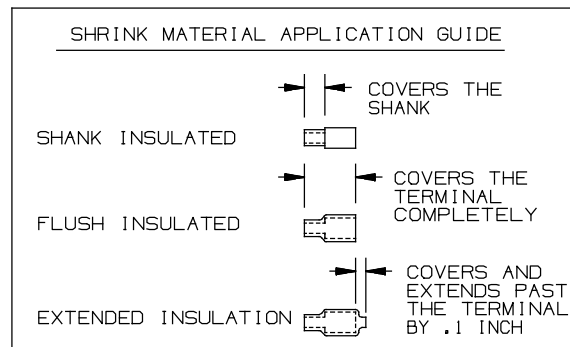
1075585\_00

| COMPONENT ALPHA | COMPONENT DESCRIPTIONS   |
|-----------------|--|
| A               | CONNECTOR BODY(1), MOLEX, MX150L SERIES, .300" PITCH, 2M, 1x2, #19433-0013. TERMINALS, MALE, 10-12GA, #19431-0016.   |
| B               | CONNECTOR BODY(1), MOLEX, MX150L SERIES, .300" PITCH, 2F, 1x2, #19432-0013. TERMINALS, FEMALE, 10-12GA, #19434-0003. |

NOTE: THIS HARNESS IS USED TO REVERSE THE DIRECTION THE ATTACHED MOTOR SPINS.



| WIRE NO. | COLOR | GAUGE | TYPE         |
|----------|-------|-------|--------------|
| NONE     | GREEN | 10    | SEE NOTE #12 |
| NONE     | BLUE  | 10    | SEE NOTE #12 |

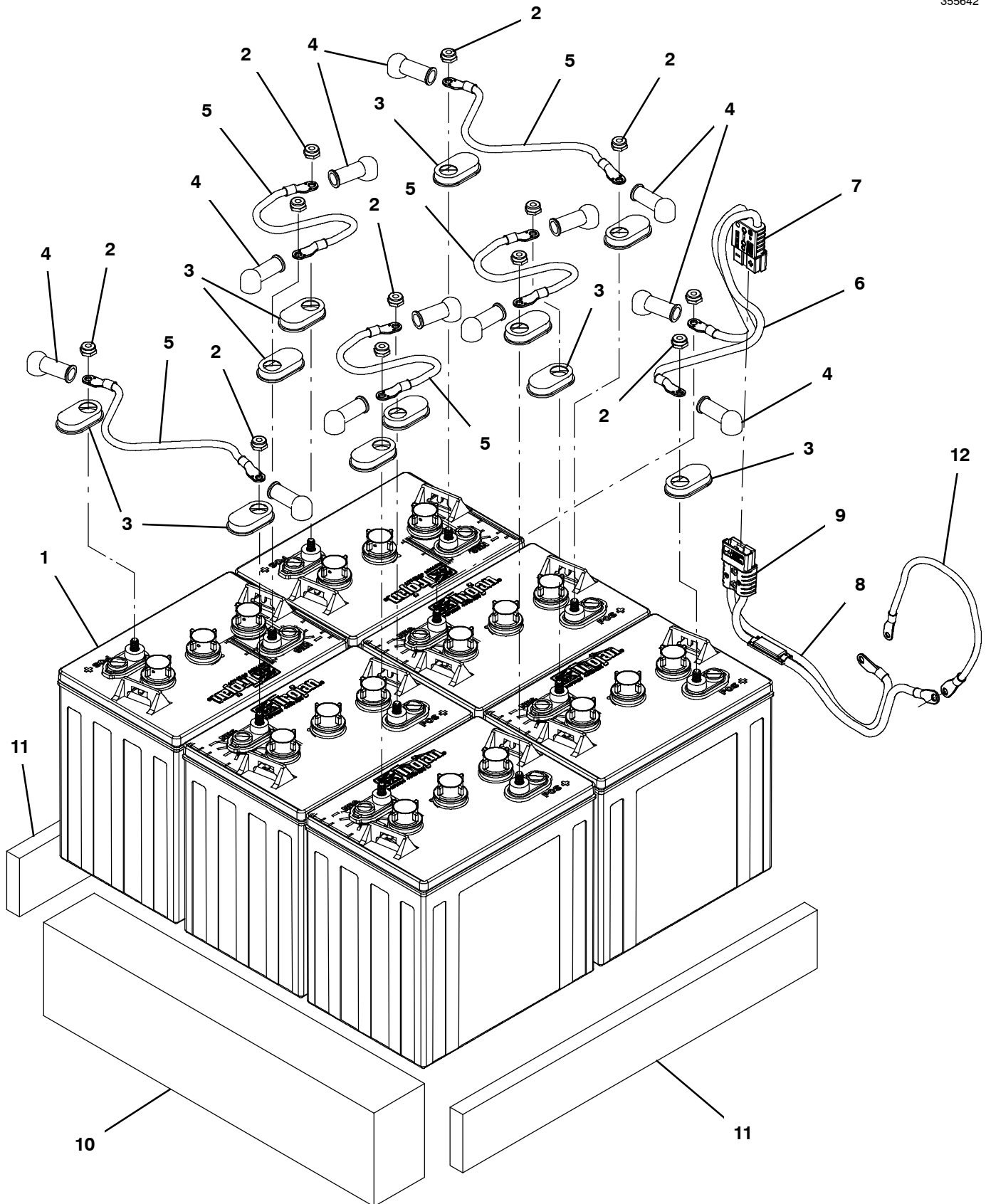


| Part No. | Serial Number        | Description                            | Qty. |
|----------|----------------------|--|------|
| 1075585  | (10000000-20000000 ) | Harness, Ele [Motor Rev., Molex Mx150] | 1    |



BATTERY GROUP, WET 210AH

355642



**BATTERY GROUP, WET 210AH**

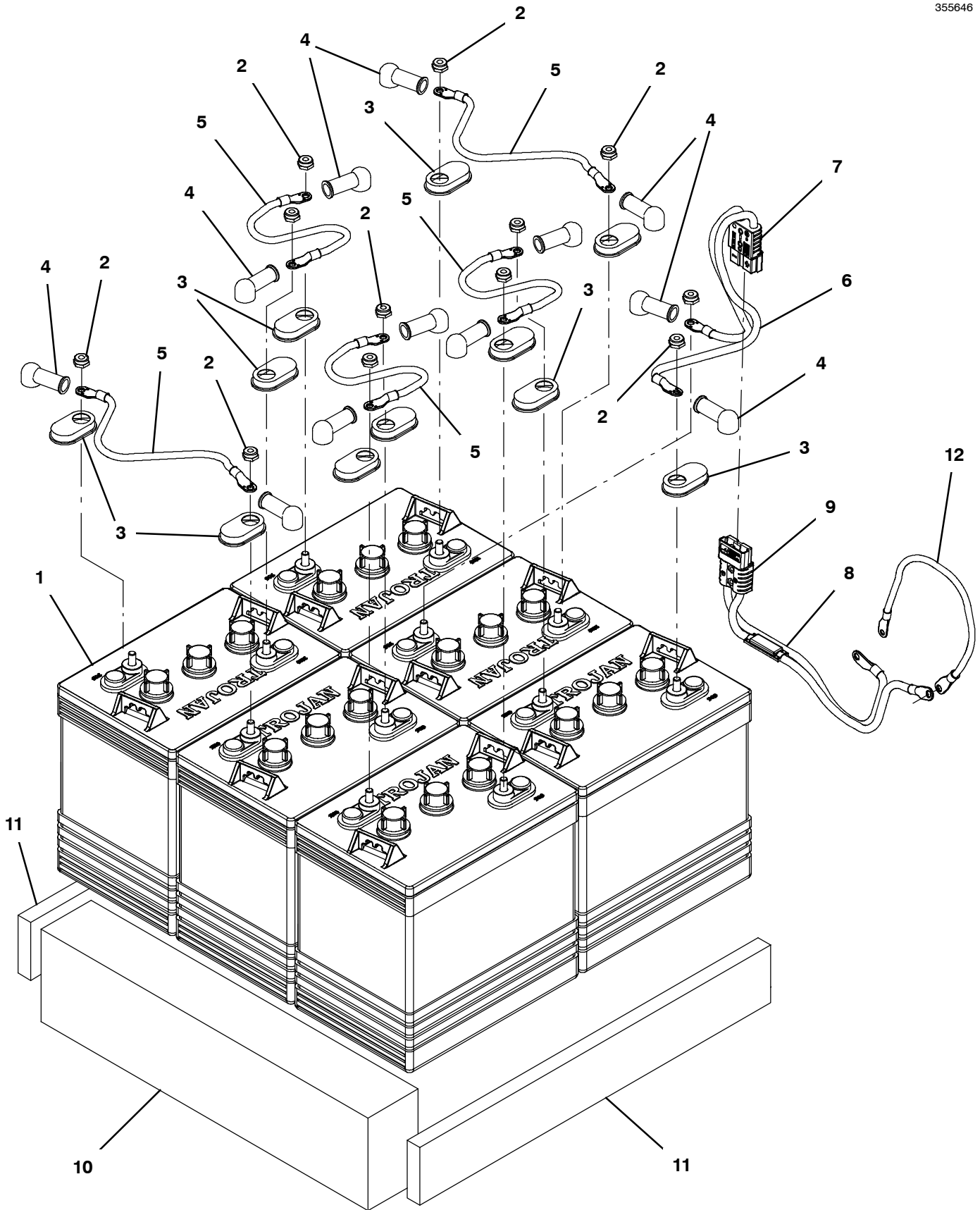
|   | <b>Ref.</b> | <b>Part No.</b> | <b>Serial Number</b>  | <b>Description</b>                                   | <b>Qty.</b> |
|---|-------------|-----------------|-----------------------|--|-------------|
| ▽ | 1           | 1227180         | (10000000- 20000000 ) | Battery, Wet, 6vdc, 210ah, C/20, W/carton            | 6           |
| ▲ | 2           | 87435           | (10000000- 20000000 ) | Nut, Hex, Flexlock, .31- 18                          | 2           |
|   | 3           | 1041030         | (10000000- 20000000 ) | Cap, Battery, Black [For 155ah]                      | 12          |
|   | 4           | 611221          | (10000000- 20000000 ) | Boot, Terminal, Battery, 25.4mm, Blk                 | 12          |
|   | 5           | 63735           | (10000000- 20000000 ) | Cable, 06ga 11.0l Blk .38ring /.38ring               | 5           |
| ▽ | 6           | 1075455         | (10000000- 20000000 ) | Cable, Assy [T600, T600e]                            | 1           |
| ▲ | 7           | 1238858         | (10000000- 20000000 ) | Connector, Battery, Gray [Sb120 Grey]                | 1           |
| ▽ | 8           | 1075457         | (10000000- 20000000 ) | Cable, Assy [T600, T600e, Ce]                        | 1           |
| ▲ | 9           | 1238858         | (10000000- 20000000 ) | Connector, Battery, Gray [Sb120 Grey]                | 1           |
|   | 10          | 222474          | (10000000- 20000000 ) | Spacer, Battery, Foam, 3.00 X 4.8 X 21.0             | 1           |
|   | 11          | 222473          | (10000000- 20000000 ) | Spacer, Battery, 0.75 X 3.0 X 21.0                   | 2           |
|   | 12          | 1074945         | (10000000- 20000000 ) | Cable, 04ga 15.0l Red [M8 Ring/M6 Ring] (T600 Model) | 1           |

▽ ASSEMBLY

▲ INCLUDED IN ASSEMBLY

BATTERY GROUP, WET 240AH

355646



**BATTERY GROUP, WET 240AH**

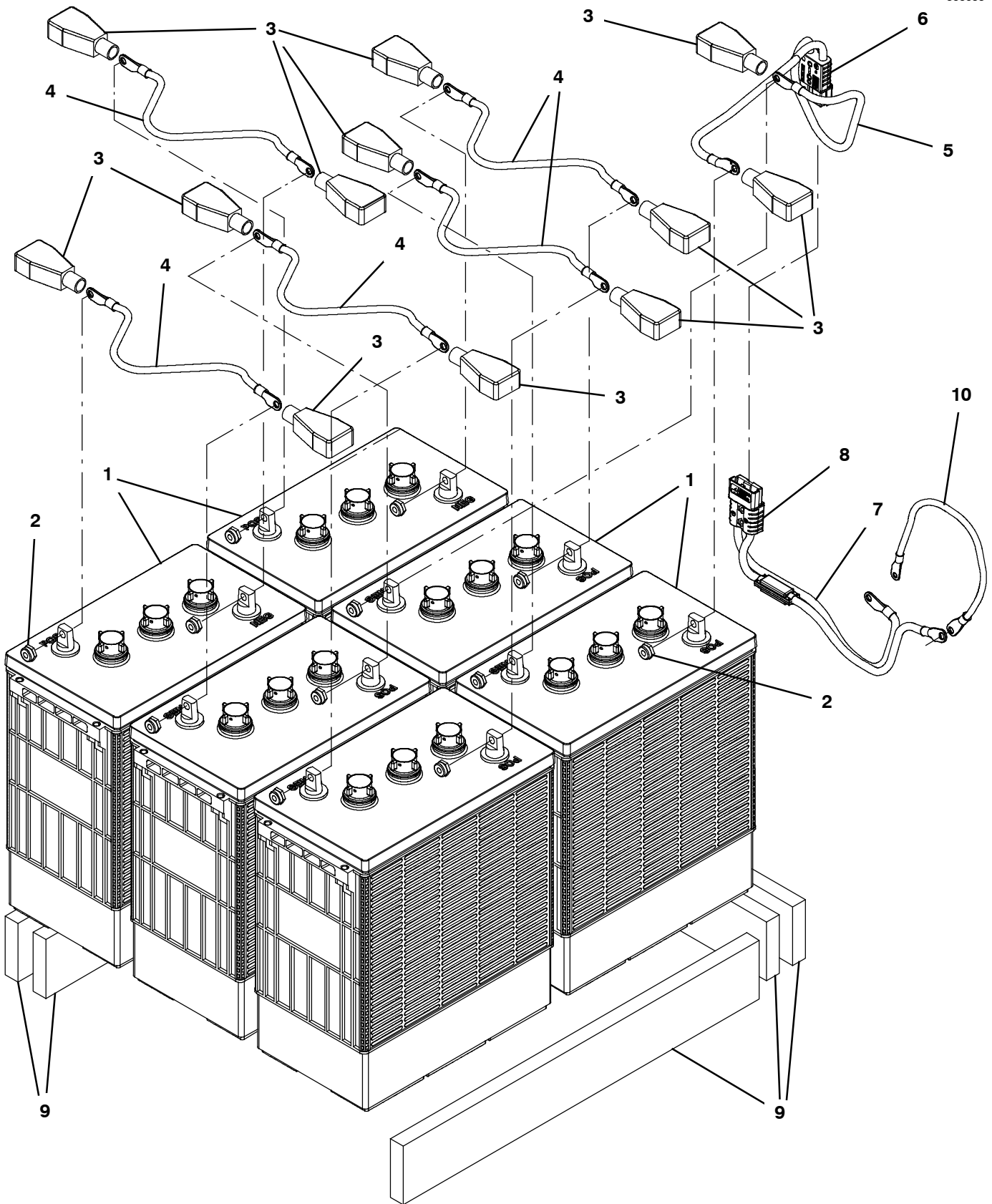
|   | <b>Ref.</b> | <b>Part No.</b> | <b>Serial Number</b>  | <b>Description</b>                                   | <b>Qty.</b> |
|---|-------------|-----------------|-----------------------|--|-------------|
| ▽ | 1           | 222280          | (10000000- 20000000 ) | Battery, Wet, 06vdc 0240ah                           | 6           |
| ▲ | 2           | 87435           | (10000000- 20000000 ) | Nut, Hex, Flexlock, .31- 18                          | 2           |
|   | 3           | 1041030         | (10000000- 20000000 ) | Cap, Battery, Black [For 155ah]                      | 12          |
|   | 4           | 611221          | (10000000- 20000000 ) | Boot, Terminal, Battery, 25.4mm, Blk                 | 12          |
|   | 5           | 63735           | (10000000- 20000000 ) | Cable, 06ga 11.0l Blk .38ring /.38ring               | 5           |
| ▽ | 6           | 1075455         | (10000000- 20000000 ) | Cable, Assy [T600, T600e]                            | 1           |
| ▲ | 7           | 1238858         | (10000000- 20000000 ) | Connector, Battery, Gray [Sb120 Grey]                | 1           |
| ▽ | 8           | 1075457         | (10000000- 20000000 ) | Cable, Assy [T600,T600e, Ce]                         | 1           |
| ▲ | 9           | 1238858         | (10000000- 20000000 ) | Connector, Battery, Gray [Sb120 Grey]                | 1           |
|   | 10          | 222474          | (10000000- 20000000 ) | Spacer, Battery, Foam, 3.00 X 4.8 X 21.0             | 1           |
|   | 11          | 222473          | (10000000- 20000000 ) | Spacer, Battery, 0.75 X 3.0 X 21.0                   | 3           |
|   | 12          | 1074945         | (10000000- 20000000 ) | Cable, 04ga 15.0l Red [M8 Ring/M6 Ring] (T600 Model) | 1           |

▽ ASSEMBLY

▲ INCLUDED IN ASSEMBLY

BATTERY GROUP, WET 360AH

355633





**BATTERY GROUP, WET 360AH**

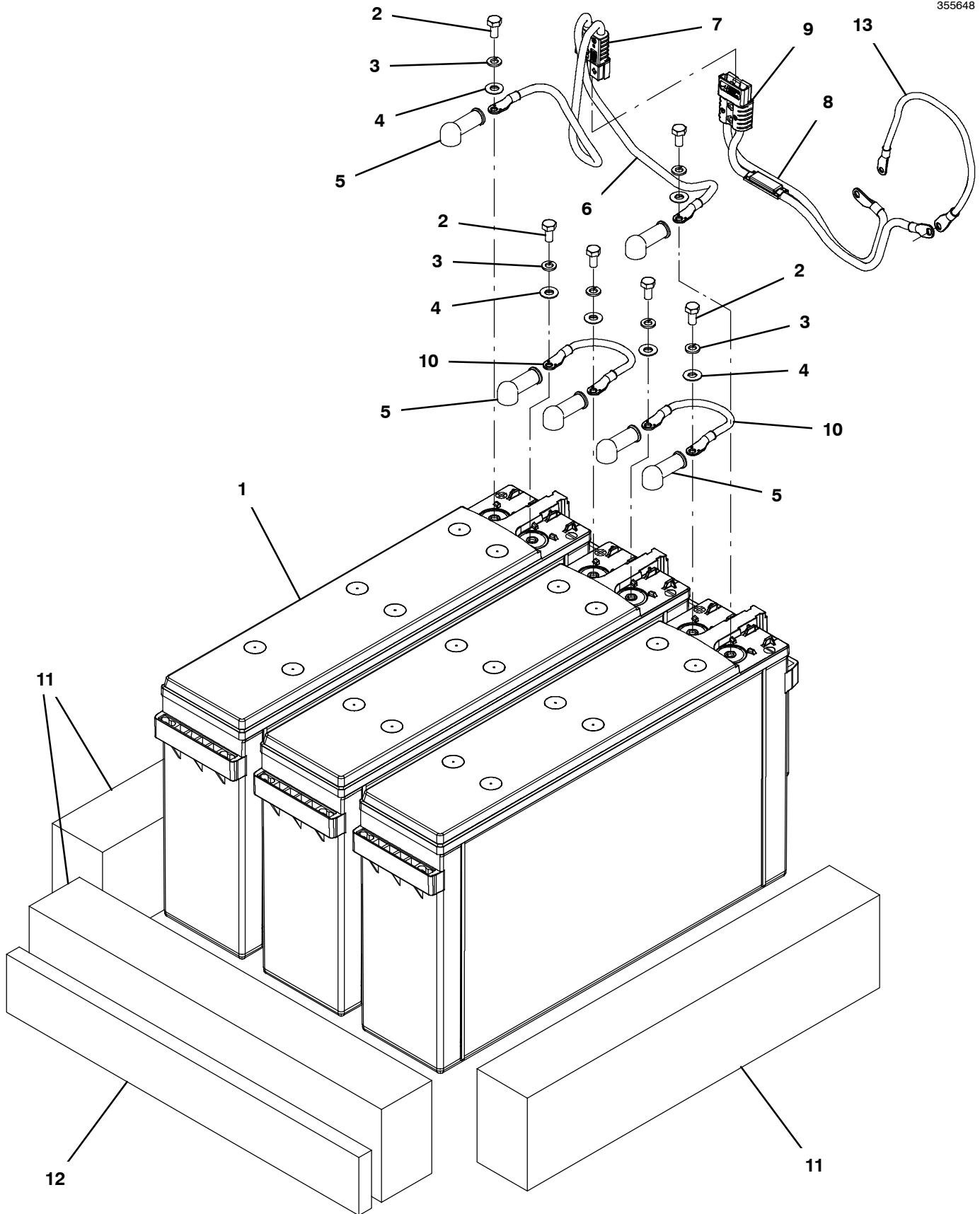
|   | <b>Ref.</b> | <b>Part No.</b> | <b>Serial Number</b>  | <b>Description</b>                                   | <b>Qty.</b> |
|---|-------------|-----------------|-----------------------|--|-------------|
| ▽ | 1           | 1070587         | (10000000- 20000000 ) | Battery, Wet, 06vdc 0360ah, W/ Cart [Tr]             | 6           |
| ▲ | 2           | 87435           | (10000000- 20000000 ) | Nut, Hex, Flexlock, .31- 18                          | 2           |
|   | 3           | 611221          | (10000000- 20000000 ) | Boot, Terminal, Battery, 25.4mm, Blk                 | 12          |
|   | 4           | 63735           | (10000000- 20000000 ) | Cable, 06ga 11.0l Blk .38ring /.38ring               | 5           |
| ▽ | 5           | 1075455         | (10000000- 20000000 ) | Cable, Assy [T600, T600e]                            | 1           |
| ▲ | 6           | 1238858         | (10000000- 20000000 ) | Connector, Battery, Gray [Sb120 Grey]                | 1           |
| ▽ | 7           | 1075457         | (10000000- 20000000 ) | Cable, Assy [T600,T600e, Ce]                         | 1           |
| ▲ | 8           | 1238858         | (10000000- 20000000 ) | Connector, Battery, Gray [Sb120 Grey]                | 1           |
|   | 9           | 222473          | (10000000- 20000000 ) | Spacer, Battery, 0.75 X 3.0 X 21.0                   | 5           |
|   | 10          | 1074945         | (10000000- 20000000 ) | Cable, 04ga 15.0l Red [M8 Ring/M6 Ring] (T600 Model) | 1           |

▽ ASSEMBLY

▲ INCLUDED IN ASSEMBLY

BATTERY GROUP, TPPL 210AH (FAST CHARGE)

355648



**BATTERY GROUP, TPPL 210AH (FAST CHARGE)**

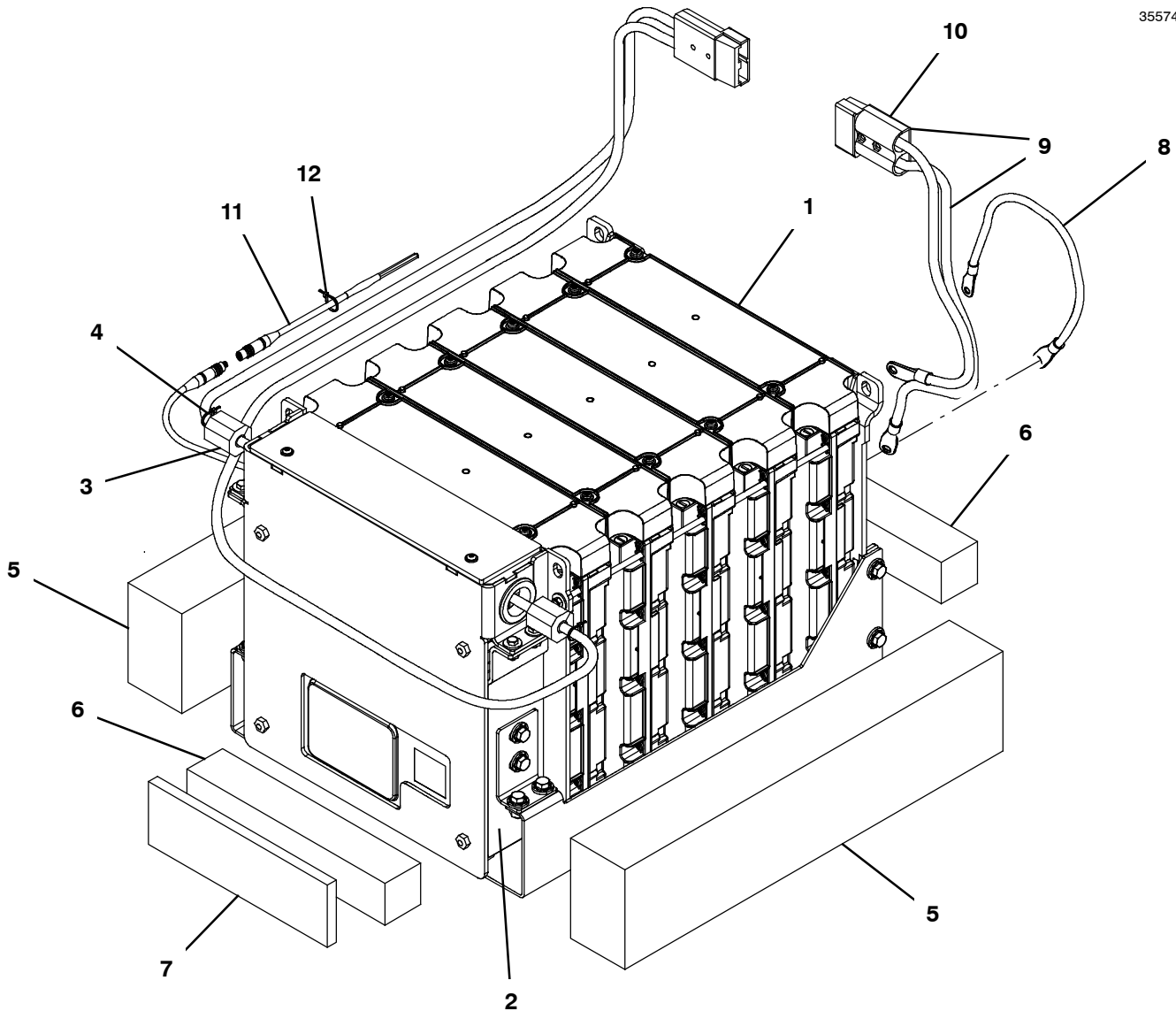
|   | <b>Ref.</b> | <b>Part No.</b> | <b>Serial Number</b>  | <b>Description</b>                                   | <b>Qty.</b> |
|---|-------------|-----------------|-----------------------|--|-------------|
| ▽ | 1           | 1238358         | (10000000- 20000000 ) | Battery, Tppl, 12vdc, 210ah, W/cart                  | 3           |
| ▲ | 2           | 15675           | (10000000- 20000000 ) | Screw, Hex, M8 X 1.25 X 16, Ss                       | 2           |
| ▲ | 3           | 140015          | (10000000- 20000000 ) | Washer, Lock, Split, 0.31, Ss                        | 2           |
| ▲ | 4           | 140027          | (10000000- 20000000 ) | Washer, Flat, 0.35b 0.75d .04, Ss                    | 2           |
|   | 5           | 611221          | (10000000- 20000000 ) | Boot, Terminal, Battery, 25.4mm, Blk                 | 6           |
| ▽ | 6           | 1075455         | (10000000- 20000000 ) | Cable, Assy [T600, T600e]                            | 1           |
| ▲ | 7           | 1238858         | (10000000- 20000000 ) | Connector, Battery, Gray [Sb120 Grey]                | 1           |
| ▽ | 8           | 1075457         | (10000000- 20000000 ) | Cable, Assy [T600,T600e, Ce]                         | 1           |
| ▲ | 9           | 1238858         | (10000000- 20000000 ) | Connector, Battery, Gray [Sb120 Grey]                | 1           |
|   | 10          | 223355          | (10000000- 20000000 ) | Cable, 04ga 08.0l Blk .34ring /.34ring               | 2           |
|   | 11          | 222474          | (10000000- 20000000 ) | Spacer, Battery, Foam, 3.00 X 4.8 X 21.0             | 3           |
|   | 12          | 222473          | (10000000- 20000000 ) | Spacer, Battery, 0.75 X 3.0 X 21.0                   | 1           |
|   | 13          | 1074945         | (10000000- 20000000 ) | Cable, 04ga 15.0l Red [M8 Ring/M6 Ring] (T600 Model) | 1           |

▽ ASSEMBLY

▲ INCLUDED IN ASSEMBLY

BATTERY GROUP, LITHIUM-ION, 36V, 10.2KWH (5 PACK)

355746



| Ref. | Part No. | Serial Number | Description   | Qty. |
|------|----------|---------------|---|------|
| ▽    | 1        | 9019373*      | (10000000-20000000 ) Battery Assy, T600&E, Lithium, 10.2 Kwh              | 1    |
| ▲    | 2        | 1240228*      | (10000000-20000000 ) Controller, Battery, Li- Ion, 36vdc [Bms]            | 1    |
| ▲    | 3        | 1052126       | (10000000-20000000 ) Inductor, 12.7mmid [156 Imp At 25mhz]                | 2    |
| ▲    | 4        | 763115        | (10000000-20000000 ) Tie, Cable, 6.0l, 1.25d Max                          | 2    |
|      | 5        | 222474        | (10000000-20000000 ) Spacer, Battery, Foam, 3.00 X 4.8 X 21.0             | 2    |
|      | 6        | 83415         | (10000000-20000000 ) Spacer, Battery, Foam, 2.00 X 2.0 X 11.0             | 2    |
|      | 7        | 1243754       | (10000000-20000000 ) Spacer, Battery, 0.50 X 3.0 X 10.0                   | 1    |
|      | 8        | 1074945       | (10000000-20000000 ) Cable, 04ga 15.0l Red [M8 Ring/M6 Ring] (T600 Model) | 1    |
| ▽    | 9        | 1076484       | (10000000-20000000 ) Cable Assy, Battery, 4ga [T600]                      | 1    |
| ▲    | 10       | 22892         | (10000000-20000000 ) Connector, Anderson, 175a, Gray                      | 1    |
|      | 11       | 1241522       | (10000000-20000000 ) Harness, Cntrl, Battery [T500, T600]                 | 1    |
|      | 12       | 49266         | (10000000-20000000 ) Tie, Cable, Nyl, 07.3l .19w 1.8 Max D                | 2    |

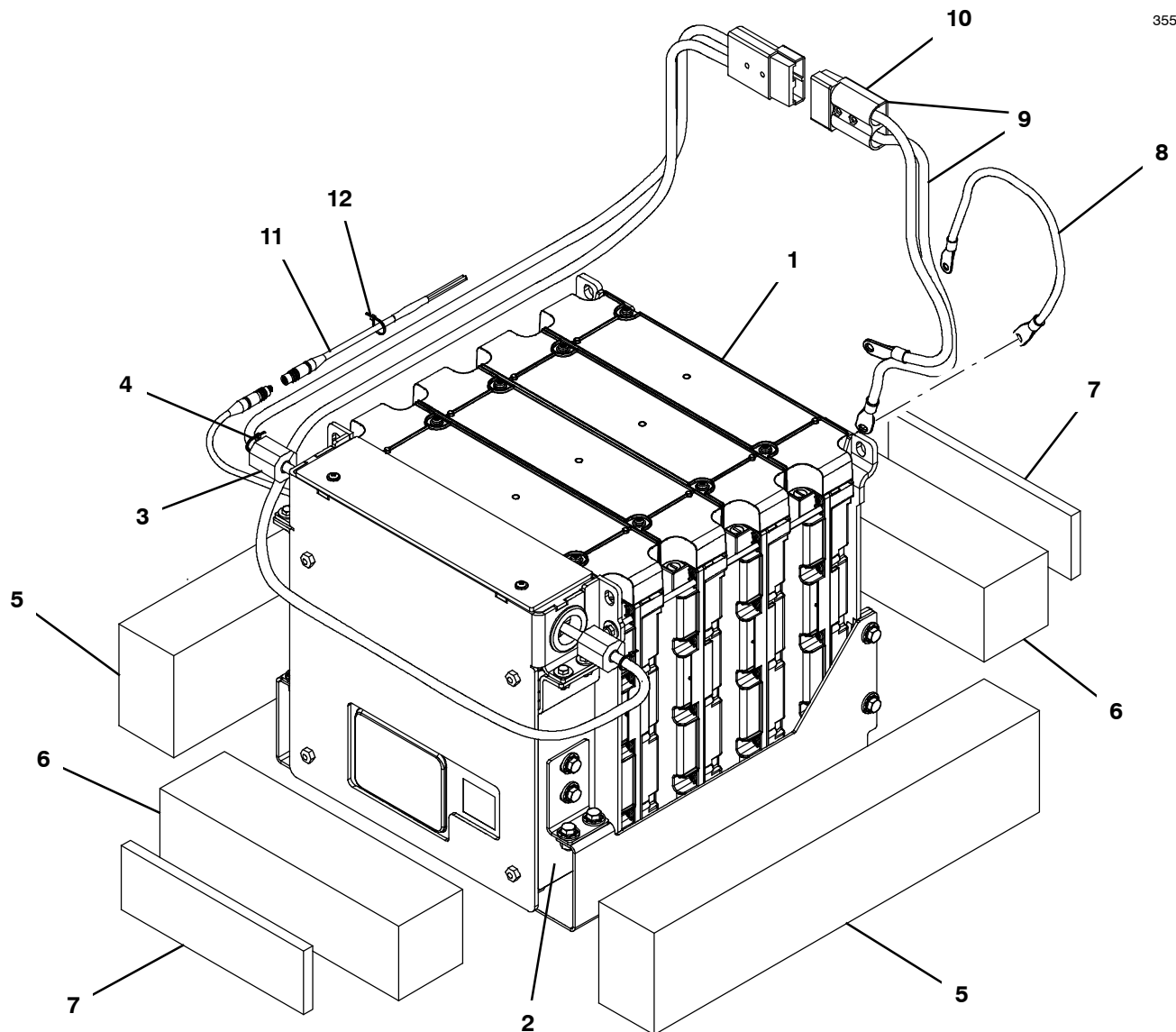
\* Requires Tennant *True* service or an authorized Tennant service provider.

▽ ASSEMBLY

▲ INCLUDED IN ASSEMBLY

**BATTERY GROUP, LITHIUM-ION, 36V, 8.2KWH (4 PACK)**

355747



| Ref. | Part No. | Serial Number | Description   | Qty. |
|------|----------|---------------|---|------|
| ▽    | 1        | 9019374*      | (10000000-20000000 ) Battery Assy, T600&E, Lithium, 8.2 Kwh               | 1    |
| ▲    | 2        | 1240228*      | (10000000-20000000 ) Controller, Battery, Li- Ion, 36vdc [Bms]            | 1    |
| ▲    | 3        | 1052126       | (10000000-20000000 ) Inductor, 12.7mmid [156 Imp At 25mhz]                | 2    |
| ▲    | 4        | 763115        | (10000000-20000000 ) Tie, Cable, 6.0l, 1.25d Max                          | 2    |
|      | 5        | 222474        | (10000000-20000000 ) Spacer, Battery, Foam, 3.00 X 4.8 X 21.0             | 2    |
|      | 6        | 1243753       | (10000000-20000000 ) Spacer, Battery, 3.5 X 3.5 X 13.0                    | 2    |
|      | 7        | 1243754       | (10000000-20000000 ) Spacer, Battery, 0.50 X 3.0 X 10.0                   | 2    |
|      | 8        | 1074945       | (10000000-20000000 ) Cable, 04ga 15.0l Red [M8 Ring/M6 Ring] (T600 Model) | 1    |
| ▽    | 9        | 1076484       | (10000000-20000000 ) Cable Assy, Battery, 4ga [T600]                      | 1    |
| ▲    | 10       | 22892         | (10000000-20000000 ) Connector, Anderson, 175a, Gray                      | 1    |
|      | 11       | 1241522       | (10000000-20000000 ) Harness, Cntrl, Battery [T500, T600]                 | 1    |
|      | 12       | 49266         | (10000000-20000000 ) Tie, Cable, Nyl, 07.3l .19w 1.8 Max D                | 2    |

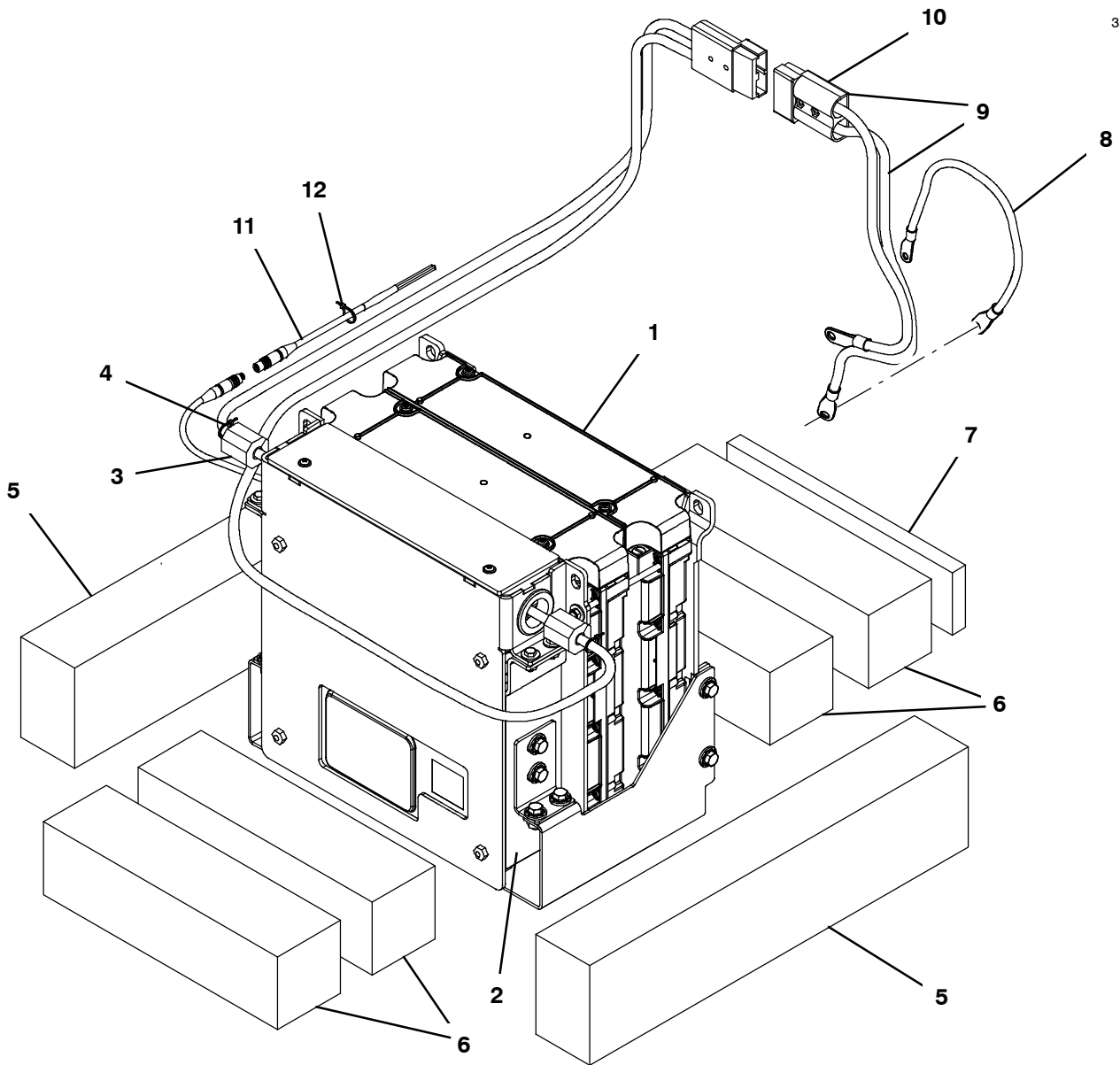
**\* Requires Tennant *True* service or an authorized Tennant service provider.**

▽ ASSEMBLY

▲ INCLUDED IN ASSEMBLY

**BATTERY GROUP, LITHIUM-ION, 36V, 4.1KWH (2 PACK)**

355748



| Ref. | Part No. | Serial Number   | Description  | Qty. |
|------|----------|---|--|------|
| ▽    | 1        | 9019375*  | (10000000-20000000 ) Battery Assy, T600&E, Lithium, 4.1 Kwh    | 1    |
| ▲    | 2        | 1240228*  | (10000000-20000000 ) Controller, Battery, Li- Ion, 36vdc [Bms] | 1    |
| ▲    | 3        | 1052126   | (10000000-20000000 ) Inductor, 12.7mmid [156 Imp At 25mhz]     | 2    |
| ▲    | 4        | 763115  | (10000000-20000000 ) Tie, Cable, 6.0l, 1.25d Max               | 2    |
| 5    | 222474   | (10000000-20000000 ) Spacer, Battery, Foam, 3.00 X 4.8 X 21.0             | 2  |      |
| 6    | 1243753  | (10000000-20000000 ) Spacer, Battery, 3.5 X 3.5 X 13.0                    | 4  |      |
| 7    | 1242643  | (10000000-20000000 ) Spacer, Battery, 0.75 X 3.0 X 12.5                   | 1  |      |
| 8    | 1074945  | (10000000-20000000 ) Cable, 04ga 15.0l Red [M8 Ring/M6 Ring] (T600 Model) | 1  |      |
| ▽    | 9        | 1076484   | (10000000-20000000 ) Cable Assy, Battery, 4ga [T600]           | 1    |
| ▲    | 10       | 22892   | (10000000-20000000 ) Connector, Anderson, 175a, Gray           | 1    |
| 11   | 1241522  | (10000000-20000000 ) Harness, Cntrl, Battery [T500, T600]                 | 1  |      |
| 12   | 49266    | (10000000-20000000 ) Tie, Cable, Nyl, 07.3l .19w 1.8 Max D                | 2  |      |

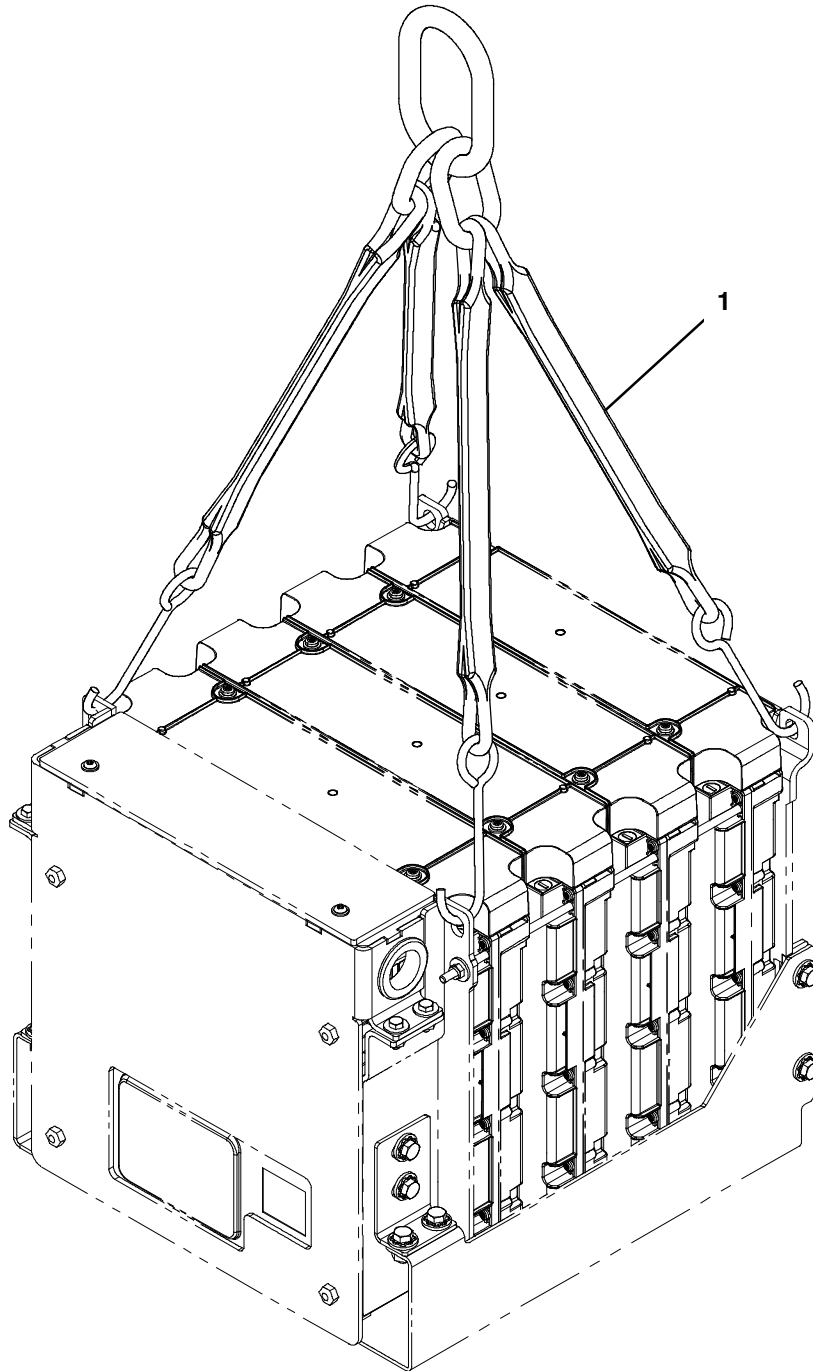
**\* Requires Tennant True service or an authorized Tennant service provider.**

▽ ASSEMBLY

▲ INCLUDED IN ASSEMBLY

BATTERY LIFT GROUP, LITHIUM-ION

355749

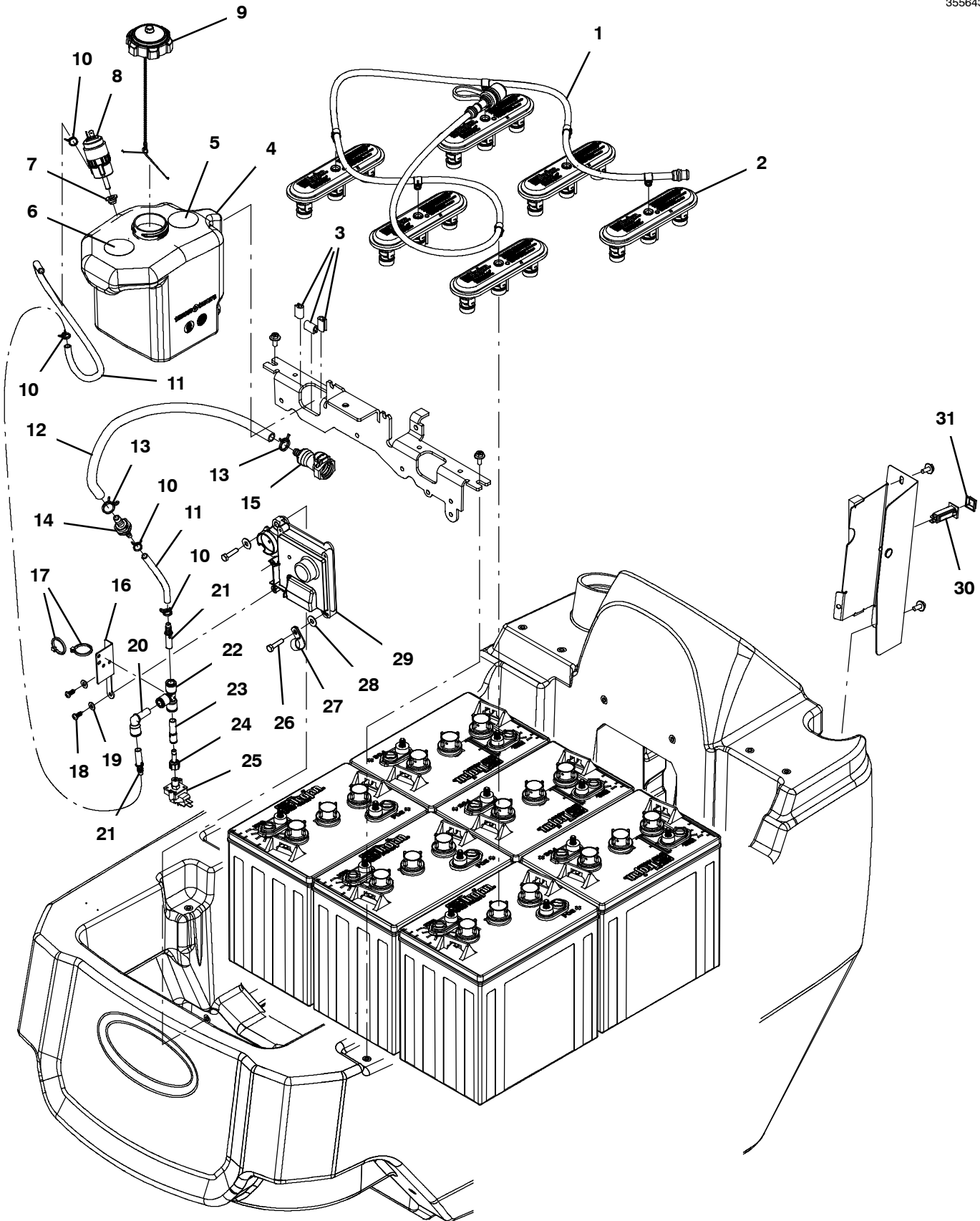


| Ref. | Part No. | Serial Number        | Description              | Qty. |
|------|----------|----------------------|--------------------------|------|
| 1    | 9020678* | (10000000-20000000 ) | Parts Kit, Lift [Li-Ion] | 1    |

\* Requires Tennant *True* service or an authorized Tennant service provider.

SMART-FILL™ AUTOMATIC BATTERY WATERING GROUP

355643





**SMART-FILL™ AUTOMATIC BATTERY WATERING GROUP**

| Ref. | Part No. | Serial Number | Description   | Qty. |
|------|----------|---------------|---|------|
|      | 1        | 1201997       | (10000000- 20000000 ) Tube, Water, Battery, 36vdc [Trojan]          | 1    |
|      | 2        | 1204142       | (10000000- 20000000 ) Cap, Fill, Battery [Trojan]                   | 6    |
|      | 3        | 1020168       | (10000000- 20000000 ) Molding, Afmkt, Trim, Pvc, .08 .11, 01ft      | 1    |
| ▽    | 4        | 9016843       | (10000000- 20000000 ) Tank Assy, Soltn, 4.0l, Afmkt [T600,Abw]      | 1    |
| ▲    | 5        | 1224988       | (10000000- 20000000 ) Label, Automated Battery Watering             | 1    |
| ▲    | 6        | 1224989       | (10000000- 20000000 ) Label, Detergent Metering Tank                | 1    |
| ▲    | 7        | 1231338       | (10000000- 20000000 ) Grommet, Pump                                 | 1    |
| ▲    | 8        | 1231018       | (10000000- 20000000 ) Pump, In- Tank, 13.5vdc 3.5lpm                | 1    |
|      | 9        | 1235763       | (10000000- 20000000 ) Cap, Tank, 2.25 [Blue,Vented W/Lanyard]       | 1    |
|      | 10       | 613735        | (10000000- 20000000 ) Clamp, Hose, Wir, .40 - .42, Yel              | 4    |
|      | 11       | 1014985       | (10000000- 20000000 ) Hose, Afmkt, Pvc, Clr, 0.25id, 08ft           | 1    |
|      | 12       | 63182- 2      | (10000000- 20000000 ) Hose, Pvc, Clr, 0.38id 0.56od 036.0l          | 1    |
|      | 13       | 607775        | (10000000- 20000000 ) Clamp, Hose, Wir, .63 - .66, Blk              | 2    |
|      | 14       | 1225185       | (10000000- 20000000 ) Valve, Check, 0002psi Bm04/Bm06               | 1    |
|      | 15       | 1221589       | (10000000- 20000000 ) Fitting, Plstc, Str, Bm06, Cplg, Fem[HI]      | 1    |
|      | 16       | 1234378       | (10000000- 20000000 ) Bracket, Mtg, Abw                             | 1    |
|      | 17       | 130041        | (10000000- 20000000 ) Tie, Cable, Nyl, 11.5l .19w                   | 2    |
|      | 18       | 1018155       | (10000000- 20000000 ) Screw, Pan, Phl, M5 X 0.80 X 16, Tcut,Ss      | 2    |
|      | 19       | 01683         | (10000000- 20000000 ) Washer, Flat, 10, Ss                          | 2    |
|      | 20       | 1215186       | (10000000- 20000000 ) Fitting, Plstc, E90, Qf06/Qm06                | 2    |
|      | 21       | 1212857       | (10000000- 20000000 ) Fitting, Plstc, Str, Qm06/Bm04                | 2    |
|      | 22       | 1212573       | (10000000- 20000000 ) Fitting, Plstc, Tee, Qf06/Qf06/Qf06           | 1    |
|      | 23       | 1212934       | (10000000- 20000000 ) Fitting, Plstc, Str, Qf04/Qm06                | 1    |
|      | 24       | 1231855       | (10000000- 20000000 ) Fitting, Plstc, Str, Qm04/Pf02                | 1    |
|      | 25       | 1055254       | (10000000- 20000000 ) Switch, Press, 25 Psi, Pm02                   | 1    |
|      | 26       | 1016005       | (10000000- 20000000 ) Screw, Hex, M6 X 1.00 X 25, NI, Fl, Ss        | 2    |
|      | 27       | 33584         | (10000000- 20000000 ) Clamp, Cable, Stl, 0.63d X 0.50w, 1hole       | 1    |
|      | 28       | 01684         | (10000000- 20000000 ) Washer, Flat, 0.27b 0.69d .05, Ss             | 2    |
|      | 29       | 9016770*      | (10000000- 20000000 ) Controller Kit, Battery, 24vdc, Ci [Abw]      | 1    |
|      | 30       | 1064187       | (10000000- 20000000 ) Circuitbreaker, 10.0a, Resetable (ABW Option) | 1    |
|      | 31       | 1064191       | (10000000- 20000000 ) Boot, Circuitbreaker                          | 1    |

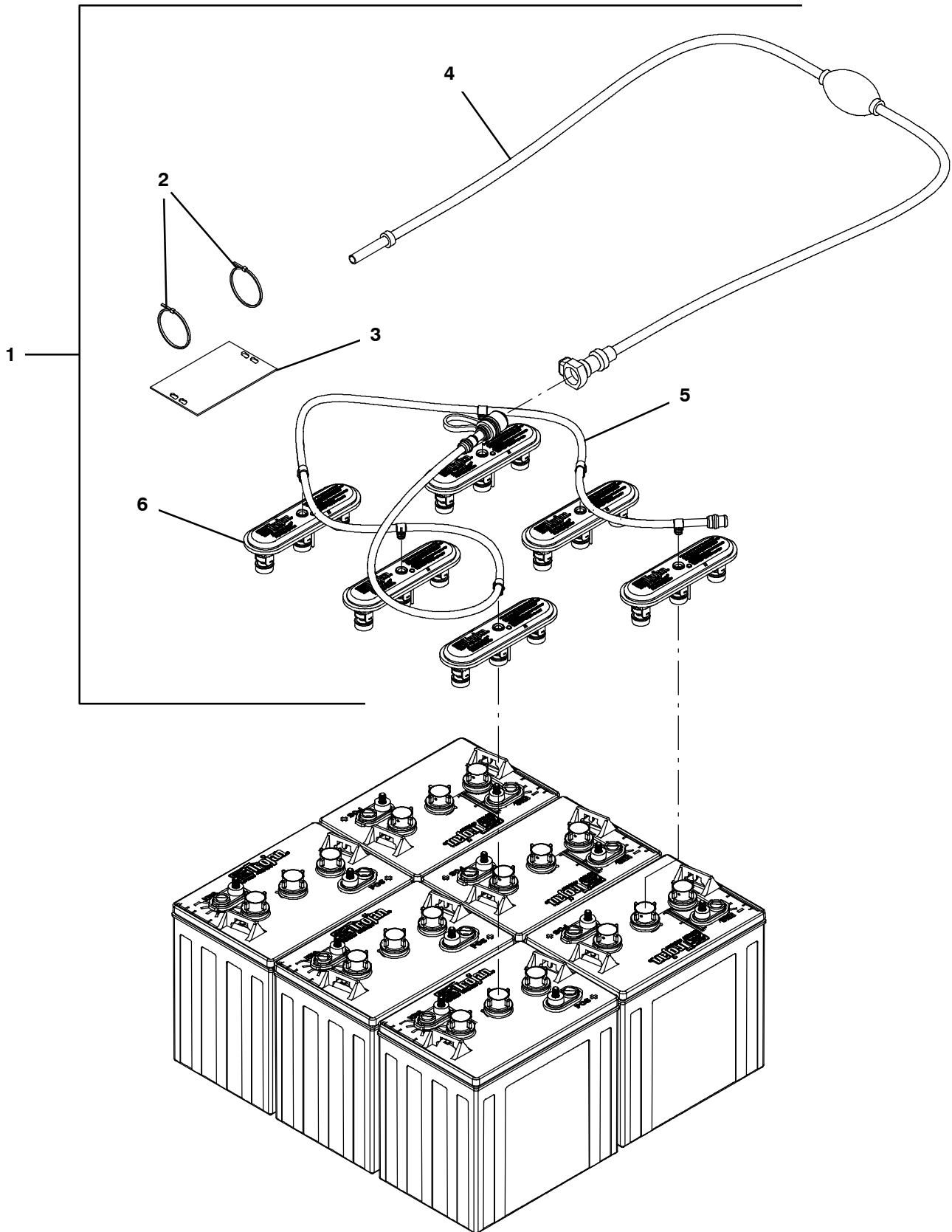
**\* Requires Tennant *True* service or an authorized Tennant service provider.**

▽ ASSEMBLY

▲ INCLUDED IN ASSEMBLY

HYDROLINK<sup>®</sup> MANUAL BATTERY WATERING KIT

355644



**HYDROLINK® MANUAL BATTERY WATERING KIT**

|   | <b>Ref.</b> | <b>Part No.</b> | <b>Serial Number</b>  | <b>Description</b>                       | <b>Qty.</b> |
|---|-------------|-----------------|-----------------------|--|-------------|
| ▽ | 1           | 9010301         | (10000000- 20000000 ) | Battery Fill Kit, 36v, Ci [Hydrolink]    | 1           |
| ▲ | 2           | 130773          | (10000000- 20000000 ) | Tie, Cable, Nyl, 11.0l, .14w, 3.0 Max. D | 2           |
| ▲ | 3           | 1071084         | (10000000- 20000000 ) | Label, Tag, Battery [Hydrolink Watering] | 1           |
| ▲ | 4           | 1058939         | (10000000- 20000000 ) | Pump Kit, Fill, Battery                  | 1           |
| ▲ | 5           | 1201997         | (10000000- 20000000 ) | Tube, Water, Battery, 36vdc [Trojan]     | 1           |
| ▲ | 6           | 1204142         | (10000000- 20000000 ) | Cap, Fill, Battery [Trojan]              | 6           |

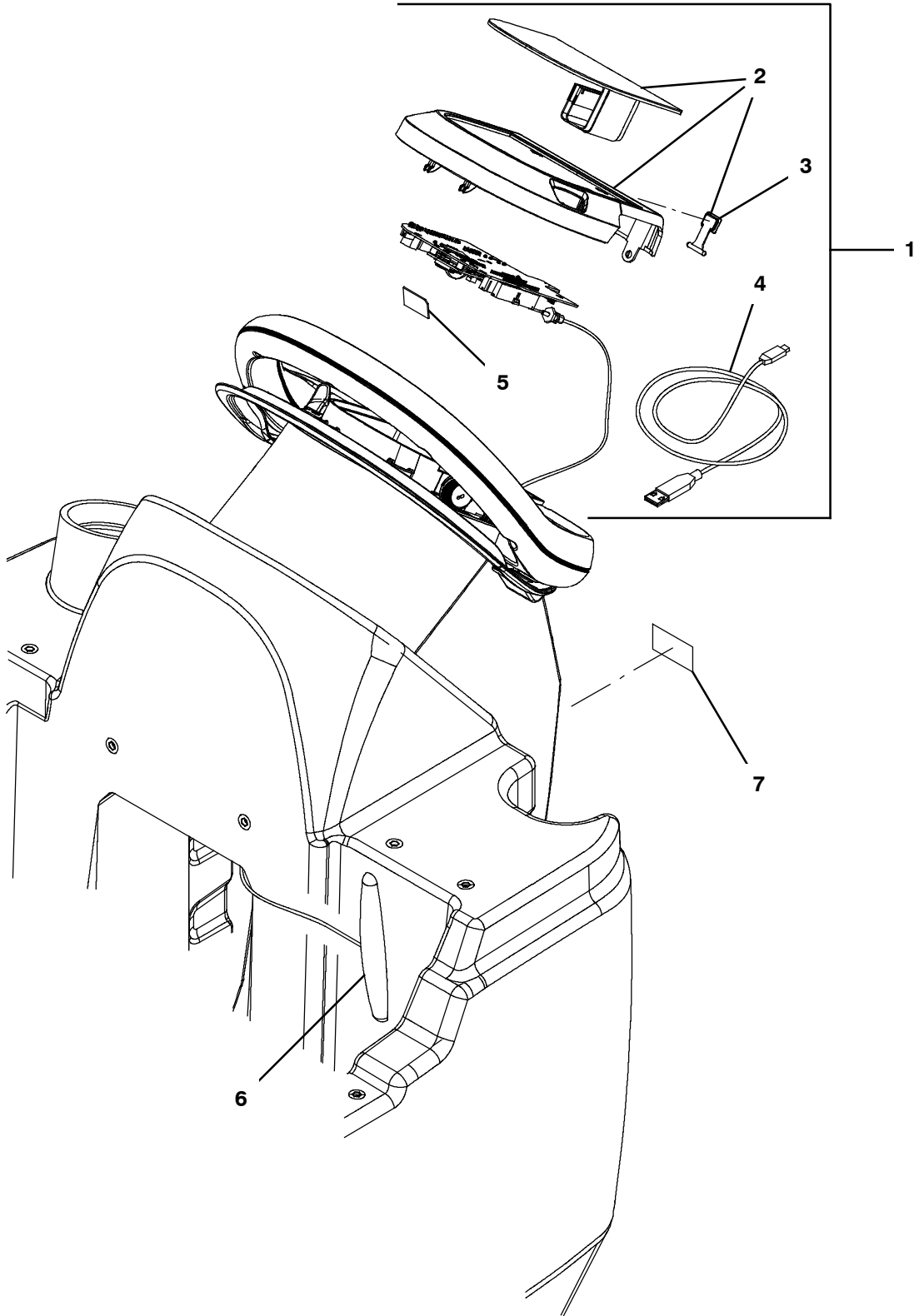
▽ ASSEMBLY

▲ INCLUDED IN ASSEMBLY

HYDROLINK® IS A REGISTERED TRADEMARK OF TROJAN BATTERY COMPANY.

TELEMETRY GROUP (T600e MODEL)

355652



TELEMETRY GROUP (T600e MODEL)

|    | Ref. | Part No. | Serial Number         | Description  | Qty. |
|----|------|----------|-----------------------|--|------|
| ▽  | 1    | 9016980* | (10000000- 20000000 ) | Bezel Kit, Membrane, Telem, Ci [T600e]                                     | 1    |
| ▲▽ | 2    | N/A      | (10000000- 20000000 ) | Screen Kit, Membrane, Ci<br>(Not Available Separately - Order Kit 9016980) | 1    |
| ▲▲ | 3    | 1205618  | (10000000- 20000000 ) | Cap, Usb   | 1    |
| ▲  | 4    | 1071235  | (10000000- 20000000 ) | Cable [Usb, 2m, A- Male To Mini- B- Male]                                  | 1    |
|    | 5    | 9014186  | (10000000- 20000000 ) | Kit, Telem, Ci [Sim, Usa, T300]  | 1    |
|    | 5    | 9014187  | (10000000- 20000000 ) | Kit, Telem, Ci [Sim, Intl, T300]   | 1    |
|    | 6    | 315724   | (10000000- 20000000 ) | Antenna, Telem, 18.0 In [Gprs]   | 1    |
|    | 7    | 1069580  | (10000000- 20000000 ) | Label, Mach, Telem [Usa, Intl]   | 1    |

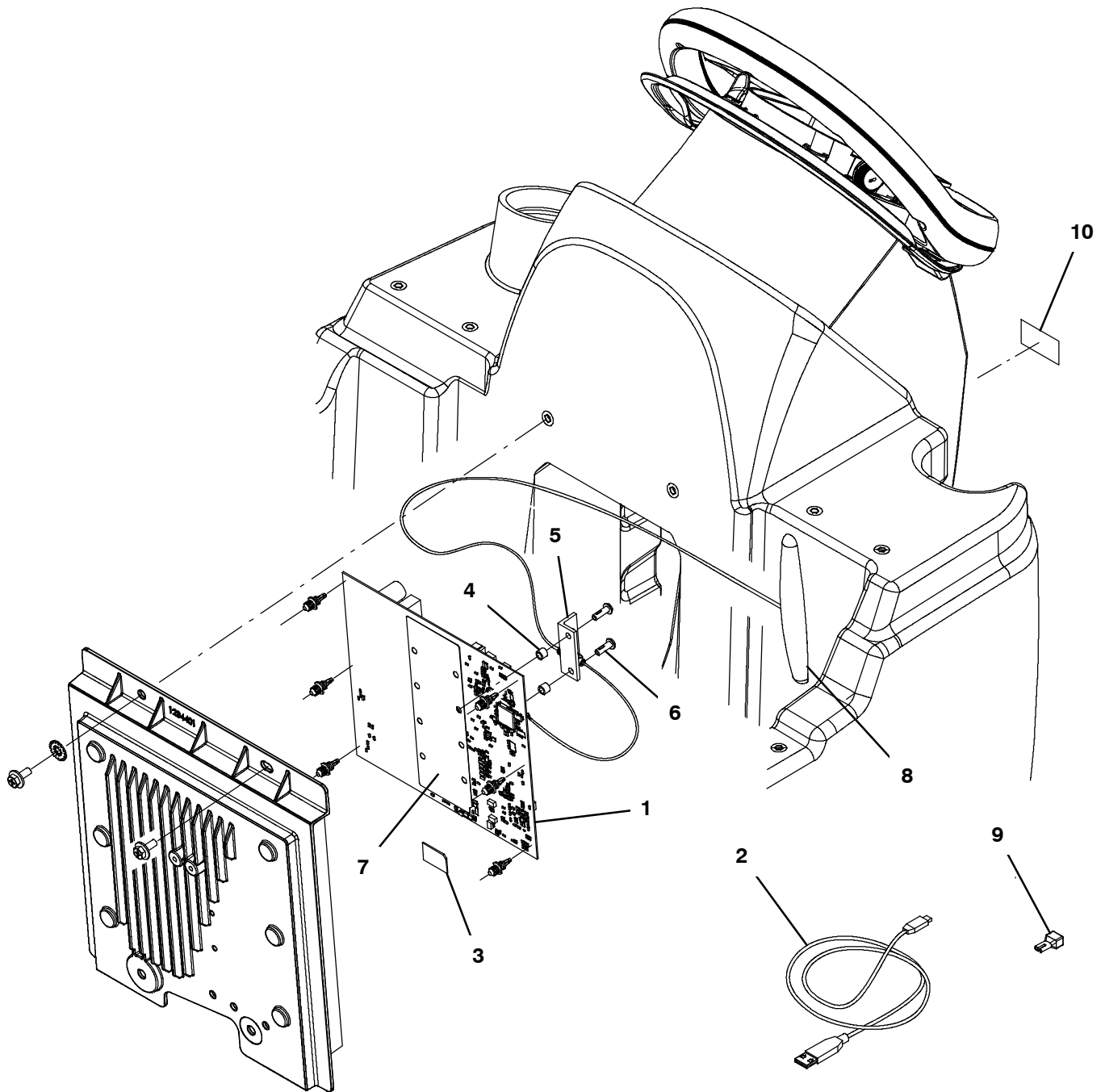
\* Requires Tennant *True* service or an authorized Tennant service provider.

▽ ASSEMBLY

▲ INCLUDED IN ASSEMBLY

TELEMETRY GROUP (T600 MODEL)

355651



TELEMETRY GROUP (T600 MODEL)

|   | Ref. | Part No. | Serial Number         | Description                               | Qty. |
|---|------|----------|-----------------------|---|------|
| ▽ | 1    | 9017503* | (10000000- 20000000 ) | Circuitboard Kit, W/Telem, Ci [T600]      | 1    |
| ▲ |      | 27964    | (10000000- 20000000 ) | Strap, Ground, Static, Disposable         | 1    |
| ▲ | 2    | 1071235  | (10000000- 20000000 ) | Cable [Usb, 2m, A- Male To Mini- B- Male] | 1    |
|   | 3    | 9014186  | (10000000- 20000000 ) | Kit, Telem, Ci [Sim, Usa, T300]           | 1    |
|   | 3    | 9014187  | (10000000- 20000000 ) | Kit, Telem, Ci [Sim, Intl, T300]          | 1    |
|   | 4    | 1227815  | (10000000- 20000000 ) | Spacer, Unthreaded, Aluminium             | 2    |
|   | 5    | 1227812  | (10000000- 20000000 ) | Bracket, Sma Connector                    | 1    |
|   | 6    | 1205799  | (10000000- 20000000 ) | Screw, Btn, M5 X 0.8 X 16, 8.8, NI, Torx  | 2    |
|   | 7    | 1220930  | (10000000- 20000000 ) | Circuitboard, Silpad [T500, Main Scrub]   | 1    |
|   | 8    | 315724   | (10000000- 20000000 ) | Antenna, Telem, 18.0 In [Gprs]            | 1    |
|   | 9    | 222290   | (10000000- 20000000 ) | Diode, Ele, Plug                          | 1    |
|   | 10   | 1069580  | (10000000- 20000000 ) | Label, Mach, Telem [Usa, Intl]            | 1    |

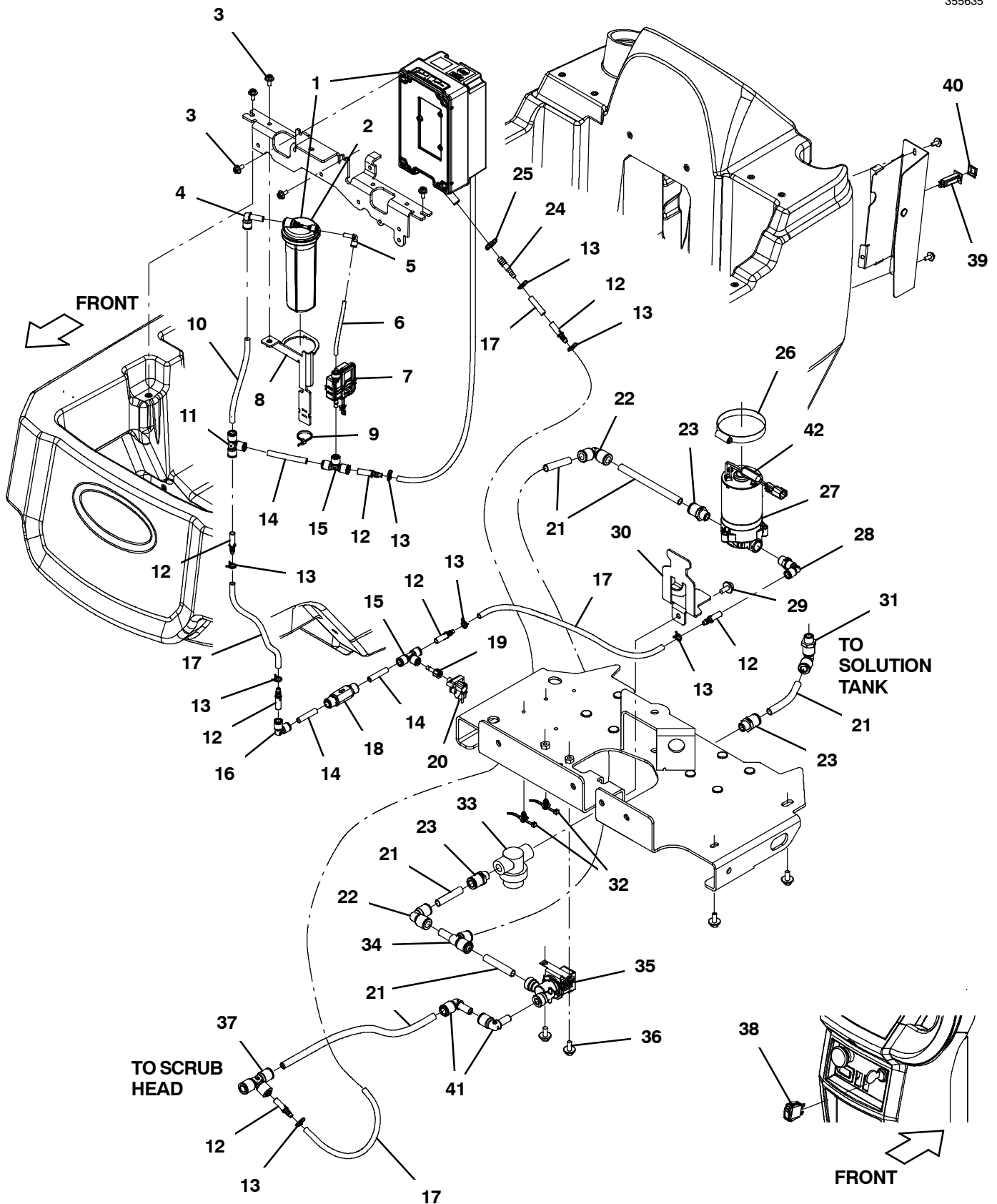
\* Requires Tennant *True* service or an authorized Tennant service provider.

▽ ASSEMBLY

▲ INCLUDED IN ASSEMBLY

ec-H2O SOLUTION GROUP

355635





ec-H2O SOLUTION GROUP

| Ref. | Part No. | Serial Number | Description   | Qty. |
|------|----------|---------------|---|------|
| ▽    | 1        | 9011810*      | (10000000- 20000000 ) Module Kit, Replmt [Ec- H2o, B 02] (See Breakdowns)             | 1    |
| ▲    | 2        | 9013646       | (10000000- 20000000 ) Cartridge, Ec- H2o Nanoclean Wcm, 270ml                         | 1    |
|      | 3        | 1034731       | (10000000- 20000000 ) Screw, Hex, M6 X 1.00 X 16, Sems, Ss                            | 4    |
|      | 4        | 1215186       | (10000000- 20000000 ) Fitting, Plstc, E90, Qf06/Qm06                                  | 1    |
|      | 5        | 1214339       | (10000000- 20000000 ) Fitting, Plstc, E90, Qfo4/Qm04                                  | 1    |
|      | 6        | 9014147       | (10000000- 20000000 ) Hose, Afmkt, Pvc, 0.06id .25od, 05ft                            | 1    |
|      | 7        | 1216973       | (10000000- 20000000 ) Pump Assy, Dispenser  | 1    |
|      | 8        | 1221926       | (10000000- 20000000 ) Bracket Wldt, Mtg, Ec- H20 [T500]                               | 1    |
|      | 9        | 130773        | (10000000- 20000000 ) Tie, Cable, Nyl, 11.0l, .14w, 3.0 Max. D                        | 1    |
|      | 10       | 9014146       | (10000000- 20000000 ) Hose, Afmkt, Pvc, 0.06id .38od, 05ft                            | 1    |
|      | 11       | 1212573       | (10000000- 20000000 ) Fitting, Plstc, Tee, Qf06/Qf06/Qf06                             | 1    |
|      | 12       | 1212857       | (10000000- 20000000 ) Fitting, Plstc, Str, Qm06/Bm04                                  | 6    |
|      | 13       | 613735        | (10000000- 20000000 ) Clamp, Hose, Wir, .40 - .42, Yel                                | 7    |
|      | 14       | 9014148       | (10000000- 20000000 ) Hose, Afmkt, Nat, 0.25id 0.375od, 06ft                          | 1    |
|      | 15       | 1212855       | (10000000- 20000000 ) Fitting, Plstc, Tee, Qf04/Qf06/Qf06                             | 2    |
|      | 16       | 1212856       | (10000000- 20000000 ) Fitting, Plstc, E90, Qf06/Qf06                                  | 1    |
|      | 17       | 1014985       | (10000000- 20000000 ) Hose, Afmkt, Pvc, Clr, 0.25id, 08ft                             | 1    |
|      | 18       | 1215527       | (10000000- 20000000 ) Valve, Check, 1.0 Psi Qf06/Qf06                                 | 1    |
|      | 19       | 1231855       | (10000000- 20000000 ) Fitting, Plstc, Str, Qm04/Pf02                                  | 1    |
|      | 20       | 1044415       | (10000000- 20000000 ) Switch, Press, 20psi, Pm02                                      | 1    |
|      | 21       | 9014145       | (10000000- 20000000 ) Hose, Afmkt, Pe, .375id .50od, 05ft                             | 1    |
|      | 22       | 1221945       | (10000000- 20000000 ) Fitting, Plstc, E90, Qf08/Qf08                                  | 2    |
|      | 23       | 1212813       | (10000000- 20000000 ) Fitting, Plstc, Str, Qf08/Pm06                                  | 3    |
|      | 24       | 1039557       | (10000000- 20000000 ) Fitting, Plstc, Str, Bm04/Bm06                                  | 1    |
|      | 25       | 607775        | (10000000- 20000000 ) Clamp, Hose, Wir, .63 - .66, Blk                                | 1    |
|      | 26       | 43555         | (10000000- 20000000 ) Clamp, Hose, Wormdrive, 2.62- 3.50d                             | 1    |
|      | 27       | 1210517       | (10000000- 20000000 ) Pump, Soltn, Ele, 24vdc, 35 Psi                                 | 1    |
|      | 28       | 1212812       | (10000000- 20000000 ) Fitting, Plstc, E90, Qf06/Pm06, Swivel                          | 1    |
|      | 29       | 1020341       | (10000000- 20000000 ) Screw, Hex, M8 X 1.25 X 20, Ss, Sems                            | 1    |
|      | 30       | 1229972       | (10000000- 20000000 ) Bracket, Mtg, Pump  | 1    |
|      | 31       | 1243587       | (10922118- 20000000 ) Fitting, Brs, E90, Qf08/Pm06, Swivel                            | 1    |
|      | 31       | 1212987       | (10000000- 10922117 ) Fitting, Plstc, E90, Qf08/Pm06, Swivel<br>(Replaced By 1243587) | 1    |
|      | 32       | 1210807       | (10000000- 20000000 ) Wire, Tie [W/.25" Fir Tree Clip]                                | 2    |
| ▽    | 33       | 1211537       | (10000000- 20000000 ) Filter, In- Line, Pf06/Pf06 080m 2.6l Epd                       | 1    |
| ▲    |          | 1218885       | (10000000- 20000000 ) Gasket [Epdm, F/1211537]  | 1    |
| ▲    |          | 1218883       | (10000000- 20000000 ) Screen, Fltr, 80 Mesh, Ss [Fine, White]                         | 1    |
| ▲    |          | 613991        | (10000000- 20000000 ) Bowl, Clr, Short, F/1005302                                     | 1    |
|      | 34       | 1212806       | (10000000- 20000000 ) Fitting, Plstc, Tee, Qf08/Qf08/Qm08                             | 1    |
|      | 35       | 1228697       | (10000000- 20000000 ) Valve, Water, Solenoid, 36vdc Qf08/Qf08                         | 1    |
|      | 36       | 1020341       | (10000000- 20000000 ) Screw, Hex, M8 X 1.25 X 20, Ss, Sems                            | 2    |
|      | 37       | 1212875       | (10000000- 20000000 ) Fitting, Plstc, Tee, Qf06/Qf08/Qf08                             | 1    |
|      | 38       | 1044393       | (10000000- 20000000 ) Switch, Rocker, Spst, Mom (ecH2O Option)                        | 1    |
|      | 39       | 1064187       | (10000000- 20000000 ) Circuitbreaker, 10.0a, Resetable (ecH2O Option)                 | 1    |
|      | 40       | 1064191       | (10000000- 20000000 ) Boot, Circuitbreaker  | 1    |
|      | 41       | 1212809       | (10000000- 20000000 ) Fitting, Plstc, E90, Qf08/Qm08                                  | 2    |
|      | 42       | 1227867       | (10963451- 20000000 ) Inductor, Ferrite [Split Case,407@100hz]                        | 1    |

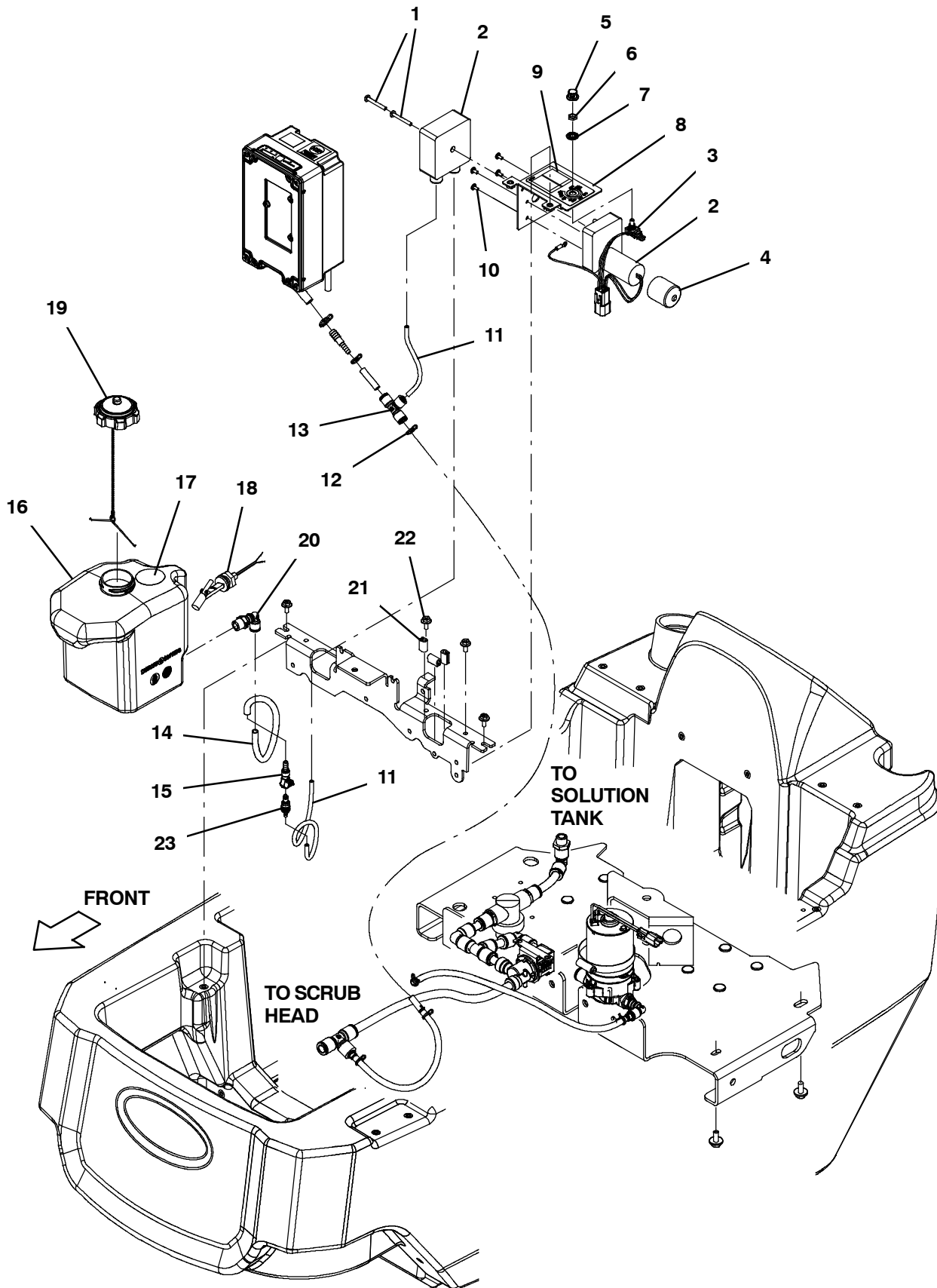
\* Requires Tennant *True* service or an authorized Tennant service provider.

▽ ASSEMBLY

▲ INCLUDED IN ASSEMBLY

SEVERE ENVIRONMENT SOLUTION GROUP (T600 MODEL)

355636



SEVERE ENVIRONMENT SOLUTION GROUP (T600 MODEL)

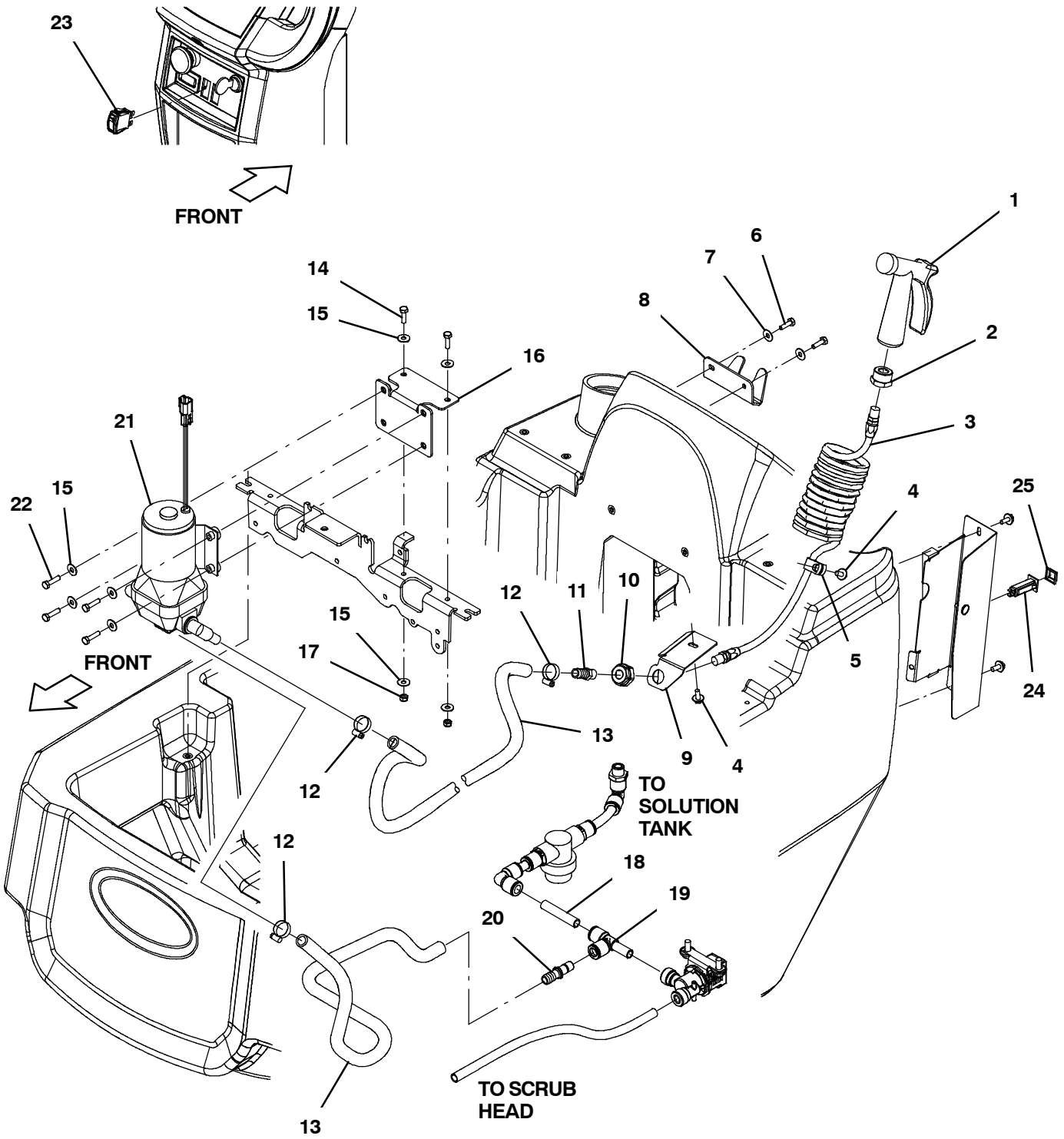
| Ref. | Part No. | Serial Number | Description  | Qty. |
|------|----------|---------------|--|------|
|      | 1        | 17185         | (10000000- 20000000 ) Screw, Pan, Phl, M5 X 0.80 X 40, Ss      | 2    |
| ▽    | 2        | 1215698       | (10000000- 20000000 ) Pump Assy, Detgt, 24 Vdc [T300]          | 1    |
| ▲    |          | 1208721       | (10000000- 20000000 ) Pump, Detgt, 24vdc, 120rpm               | 1    |
| ▲    |          | 1219077       | (10000000- 20000000 ) Hose Kit, Detgt [0.5cc]                  | 1    |
| ▲    | 3        | 1211775       | (10000000- 20000000 ) Potentiometer [5k, W/Leads And Conn.]    | 1    |
|      | 4        | 605064        | (10000000- 20000000 ) Cap, Vinyl, 1.38 D 1.6l                  | 1    |
|      | 5        | 630265        | (10000000- 20000000 ) Knob, Rnd, 0.75d 0.50l 0.25b, Plstc      | 1    |
|      | 6        | 222607        | (10000000- 20000000 ) Nut, Hex, Thin, .38- 32                  | 1    |
|      | 7        | 43953         | (10000000- 20000000 ) Washer, Lock, Int, 0.38, Ss              | 1    |
| ▽    | 8        | 9016841       | (10000000- 20000000 ) Bracket, Pump, Detgt, Afmkt [T600]       | 1    |
| ▲    | 9        | 1210440       | (10000000- 20000000 ) Label, Opertnl, Detergent Metering       | 1    |
|      | 10       | 609980        | (10000000- 20000000 ) Screw, Trs, Phl, 08- 32 X 0.38, Sems     | 4    |
|      | 11       | 613461        | (10000000- 20000000 ) Hose, Pvc, Clr, 0.12id 0.25od 048.0l     | 1    |
|      | 12       | 613735        | (10000000- 20000000 ) Clamp, Hose, Wir, .40 - .42, Yel         | 1    |
|      | 13       | 1212855       | (10000000- 20000000 ) Fitting, Plstc, Tee, Qf04/Qf06/Qf06      | 1    |
|      | 14       | 1006415       | (10000000- 20000000 ) Hose, Afmkt, Pvc, Clr, 0.25id, 03ft      | 1    |
|      | 15       | 1230862       | (10000000- 20000000 ) Fitting, Plstc, Str, Bm04/Cplg Female    | 1    |
| ▽    | 16       | 9016842       | (10000000- 20000000 ) Tank, Soltn, 4.0l, Afmkt [T600, Se]      | 1    |
| ▲    | 17       | 1224989       | (10000000- 20000000 ) Label, Detergent Metering Tank           | 1    |
| ▲    | 18       | 1212430       | (10000000- 20000000 ) Sensor, Level, Liq, 30watt, Spst         | 1    |
| ▲    | 19       | 1236124       | (10000000- 20000000 ) Cap, Tank, 2.25 [Blk, Vented W/Lanyard]  | 1    |
|      | 20       | 1212812       | (10000000- 20000000 ) Fitting, Plstc, E90, Qf06/Pm06, Swivel   | 1    |
|      | 21       | 1020168       | (10000000- 20000000 ) Molding, Afmkt, Trim, Pvc, .08 .11, 01ft | 1    |
|      | 22       | 1034731       | (10000000- 20000000 ) Screw, Hex, M6 X 1.00 X 16, Sems, Ss     | 2    |
|      | 23       | 1230863       | (10000000- 20000000 ) Fitting, Plstc, Str, Bm02/Cplg Male      | 1    |

▽ ASSEMBLY

▲ INCLUDED IN ASSEMBLY

RECOVERY TANK RINSE, WITH CONVENTIONAL (T600 MODEL)

355658

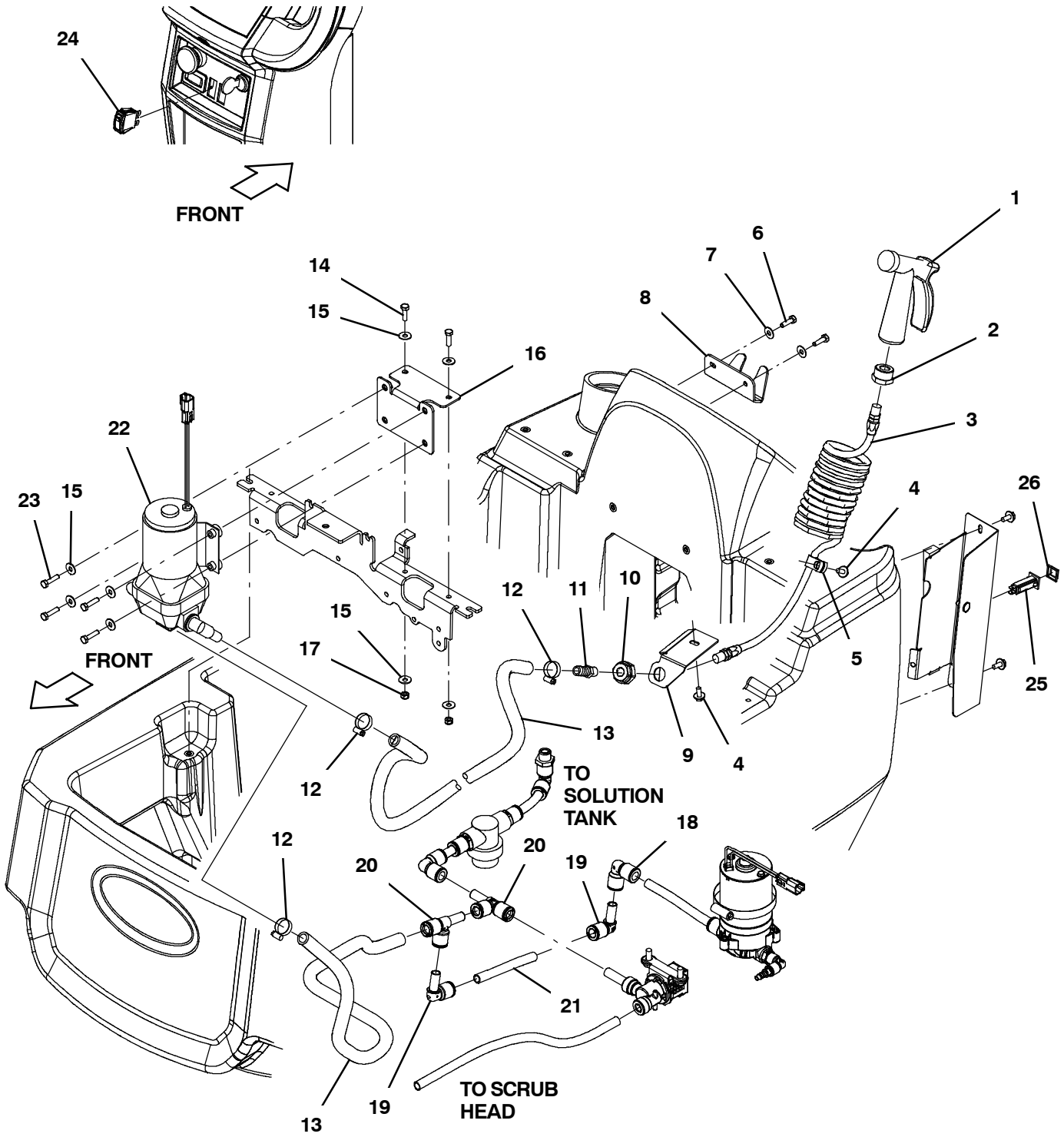


RECOVERY TANK RINSE, WITH CONVENTIONAL (T600 MODEL)

| Ref. | Part No. | Serial Number         | Description  | Qty. |
|------|----------|-----------------------|--|------|
| 1    | 769785   | (10000000- 20000000 ) | Nozzle, Spray, Hand                                | 1    |
| 2    | 1220554  | (10000000- 20000000 ) | Fitting, Brs, Str, Pf04/Garden Hose                | 1    |
| 3    | 160132   | (10000000- 20000000 ) | Hose Assy, 0.25id X 12ft Coil                      | 1    |
| 4    | 1034731  | (10000000- 20000000 ) | Screw, Hex, M6 X 1.00 X 16, Sems, Ss               | 2    |
| 5    | 40678    | (10000000- 20000000 ) | Clamp, Cable, Stl, 0.44d X 0.62w, 1hole            | 1    |
| 6    | 12277    | (10000000- 20000000 ) | Screw, Hex, M6 X 1.00 X 20, NI, Ss                 | 2    |
| 7    | 01684    | (10000000- 20000000 ) | Washer, Flat, 0.27b 0.69d .05, Ss                  | 2    |
| 8    | 1228493  | (10000000- 20000000 ) | Bracket, Nozzle, Spray                             | 1    |
| 9    | 1230338  | (10000000- 20000000 ) | Bracket, Mtg, Hose                                 | 1    |
| 10   | 78122    | (10000000- 20000000 ) | Fitting, Brs, Str, Pm08/Pf04                       | 1    |
| 11   | 1010775  | (10000000- 20000000 ) | Fitting, Plstc, Str, Bm08/Pm04, Nyl                | 1    |
| 12   | 54333    | (10000000- 20000000 ) | Clamp, Hose, Wormdrive, 0.31- 0.88d, .31w          | 3    |
| 13   | 1011837  | (10000000- 20000000 ) | Hose, Afmkt, Pvc, Brd, 0.50id, 12ft, Clr           | 1    |
| 14   | 08716    | (10000000- 20000000 ) | Screw, Hex, M6 X 1.00 X 20, Ss                     | 2    |
| 15   | 01684    | (10000000- 20000000 ) | Washer, Flat, 0.27b 0.69d .05, Ss                  | 8    |
| 16   | 1233232  | (10000000- 20000000 ) | Bracket Wldt, Pump, Spray                          | 1    |
| 17   | 08712    | (10000000- 20000000 ) | Nut, Hex, Lock, M5 X 0.80, NI, Ss                  | 2    |
| 18   | 9014145  | (10000000- 20000000 ) | Hose, Afmkt, Pe, .375id .50od, 05ft (Bulk 1212862) | 1    |
| 19   | 1212806  | (10000000- 20000000 ) | Fitting, Plstc, Tee, Qf08/Qf08/Qm08                | 1    |
| 20   | 1212807  | (10000000- 20000000 ) | Fitting, Plstc, Str, Qm08/Bm08                     | 1    |
| 21   | 1054178  | (10000000- 20000000 ) | Pump, Soltn, Ele, 36vdc, 45psi                     | 1    |
| 22   | 1016005  | (10000000- 20000000 ) | Screw, Hex, M6 X 1.00 X 25, NI, FI, Ss             | 2    |
| 23   | 1044393  | (10000000- 20000000 ) | Switch, Rocker, Spst, Mom (Rinse Option)           | 1    |
| 24   | 1064188  | (10000000- 20000000 ) | Circuitbreaker, 15.0a, Resetable (Rinse Option)    | 1    |
| 25   | 1064191  | (10000000- 20000000 ) | Boot, Circuitbreaker                               | 1    |

RECOVERY TANK RINSE, WITH ec- H2O (T600 MODEL)

355639

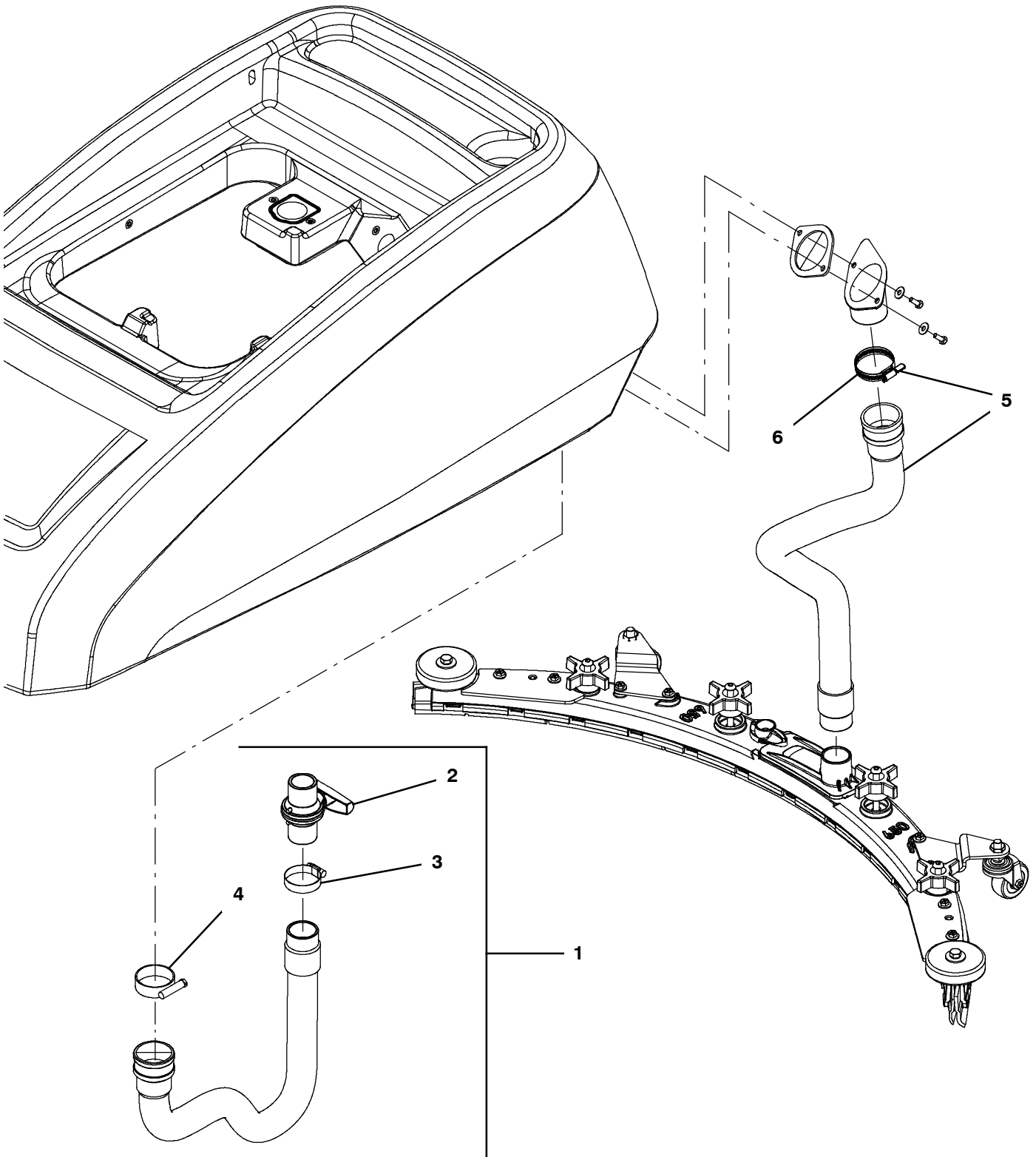


RECOVERY TANK RINSE, WITH ec- H2O (T600 MODEL)

| Ref. | Part No. | Serial Number         | Description  | Qty. |
|------|----------|-----------------------|--|------|
| 1    | 769785   | (10000000- 20000000 ) | Nozzle, Spray, Hand                                | 1    |
| 2    | 1220554  | (10000000- 20000000 ) | Fitting, Brs, Str, Pf04/Garden Hose                | 1    |
| 3    | 160132   | (10000000- 20000000 ) | Hose Assy, 0.25id X 12ft Coil                      | 1    |
| 4    | 1034731  | (10000000- 20000000 ) | Screw, Hex, M6 X 1.00 X 16, Sems, Ss               | 2    |
| 5    | 40678    | (10000000- 20000000 ) | Clamp, Cable, Stl, 0.44d X 0.62w, 1hole            | 1    |
| 6    | 12277    | (10000000- 20000000 ) | Screw, Hex, M6 X 1.00 X 20, NI, Ss                 | 2    |
| 7    | 01684    | (10000000- 20000000 ) | Washer, Flat, 0.27b 0.69d .05, Ss                  | 2    |
| 8    | 1228493  | (10000000- 20000000 ) | Bracket, Nozzle, Spray                             | 1    |
| 9    | 1230338  | (10000000- 20000000 ) | Bracket, Mtg, Hose                                 | 1    |
| 10   | 78122    | (10000000- 20000000 ) | Fitting, Brs, Str, Pm08/Pf04                       | 1    |
| 11   | 1010775  | (10000000- 20000000 ) | Fitting, Plstc, Str, Bm08/Pm04, Nyl                | 1    |
| 12   | 54333    | (10000000- 20000000 ) | Clamp, Hose, Wormdrive, 0.31- 0.88d, .31w          | 3    |
| 13   | 1011837  | (10000000- 20000000 ) | Hose, Afmkt, Pvc, Brd, 0.50id, 12ft, Clr           | 1    |
| 14   | 08716    | (10000000- 20000000 ) | Screw, Hex, M6 X 1.00 X 20, Ss                     | 2    |
| 15   | 01684    | (10000000- 20000000 ) | Washer, Flat, 0.27b 0.69d .05, Ss                  | 8    |
| 16   | 1233232  | (10000000- 20000000 ) | Bracket Wldt, Pump, Spray                          | 1    |
| 17   | 08712    | (10000000- 20000000 ) | Nut, Hex, Lock, M5 X 0.80, NI, Ss                  | 2    |
| 18   | 1221945  | (10000000- 20000000 ) | Fitting, Plstc, E90, Qf08/Qf08                     | 1    |
| 19   | 1212809  | (10000000- 20000000 ) | Fitting, Plstc, E90, Qf08/Qm08                     | 2    |
| 20   | 1212806  | (10000000- 20000000 ) | Fitting, Plstc, Tee, Qf08/Qf08/Qm08                | 2    |
| 21   | 9014145  | (10000000- 20000000 ) | Hose, Afmkt, Pe, .375id .50od, 05ft (Bulk 1212862) | 1    |
| 22   | 1054178  | (10000000- 20000000 ) | Pump, Soltn, Ele, 36vdc, 45psi                     | 1    |
| 23   | 1016005  | (10000000- 20000000 ) | Screw, Hex, M6 X 1.00 X 25, NI, FI, Ss             | 4    |
| 24   | 1044393  | (10000000- 20000000 ) | Switch, Rocker, Spst, Mom (Rinse Option)           | 1    |
| 25   | 1064188  | (10000000- 20000000 ) | Circuitbreaker, 15.0a, Resetable (Rinse Option)    | 1    |
| 26   | 1064191  | (10000000- 20000000 ) | Boot, Circuitbreaker                               | 1    |

RECOVERY TANK HOSE GROUP, VALVE

355611





**RECOVERY TANK HOSE GROUP, VALVE**

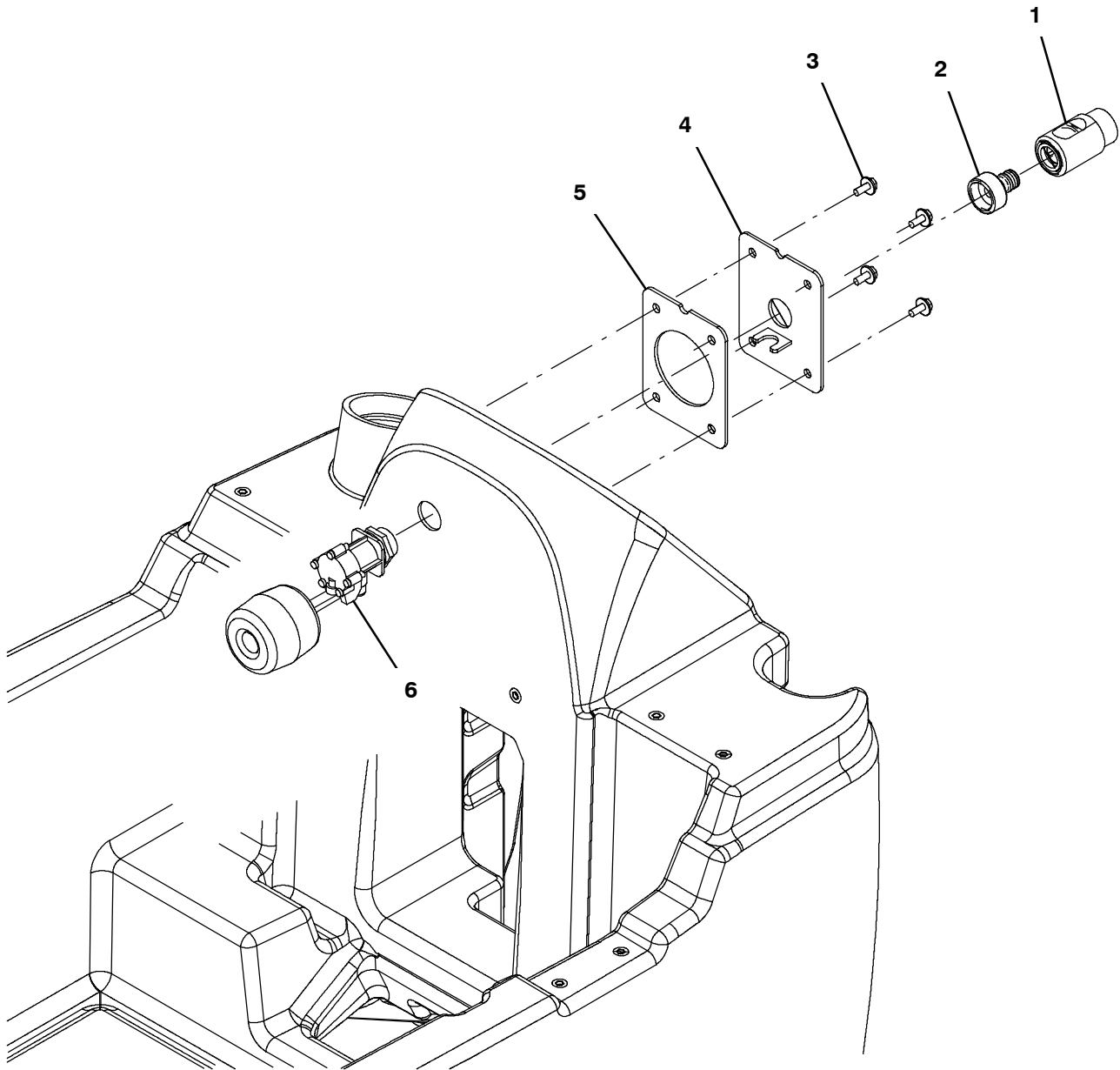
|   | <b>Ref.</b> | <b>Part No.</b> | <b>Serial Number</b>  | <b>Description</b>  | <b>Qty.</b> |
|---|-------------|-----------------|-----------------------|---|-------------|
| ▽ | 1           | 9017510         | (10000000- 10950167 ) | Hose Kit, Drain, W/Valve, Pu, Ci [T600] (Gray) (Replaced By 9017507 - PVC Black Pinch Hose Twist Cap) | 1           |
| ▲ | 2           | 1051986         | (10000000- 10950167 ) | Valve, Ball, 2way, 1.0id Pvc, W/Handle (Replaced By 9017507 - PVC Black Pinch Hose Twist Cap)         | 1           |
| ▲ | 3           | 11531           | (10000000- 20000000 ) | Clamp, Hose, Wormdrive, 1.06- 2.00d, .56w   | 1           |
| ▲ | 4           | 22297           | (10000000- 20000000 ) | Clamp, Hose, Wormdrive, 1.56- 2.50d, .50w   | 1           |
| ▽ | 5           | 9017506         | (10000000- 10950167 ) | Hose Kit, Recvy, Pu, Ci [T600/T600e] (Gray) (Replaced By 9017505 - PVC Black Hose)                    | 1           |
| ▲ | 6           | 1243301         | (10000000- 20000000 ) | Clamp, Wormdrive, 2.0d, .56w  | 1           |

▽ ASSEMBLY

▲ INCLUDED IN ASSEMBLY

SOLUTION TANK AUTO-FILL KIT

355616



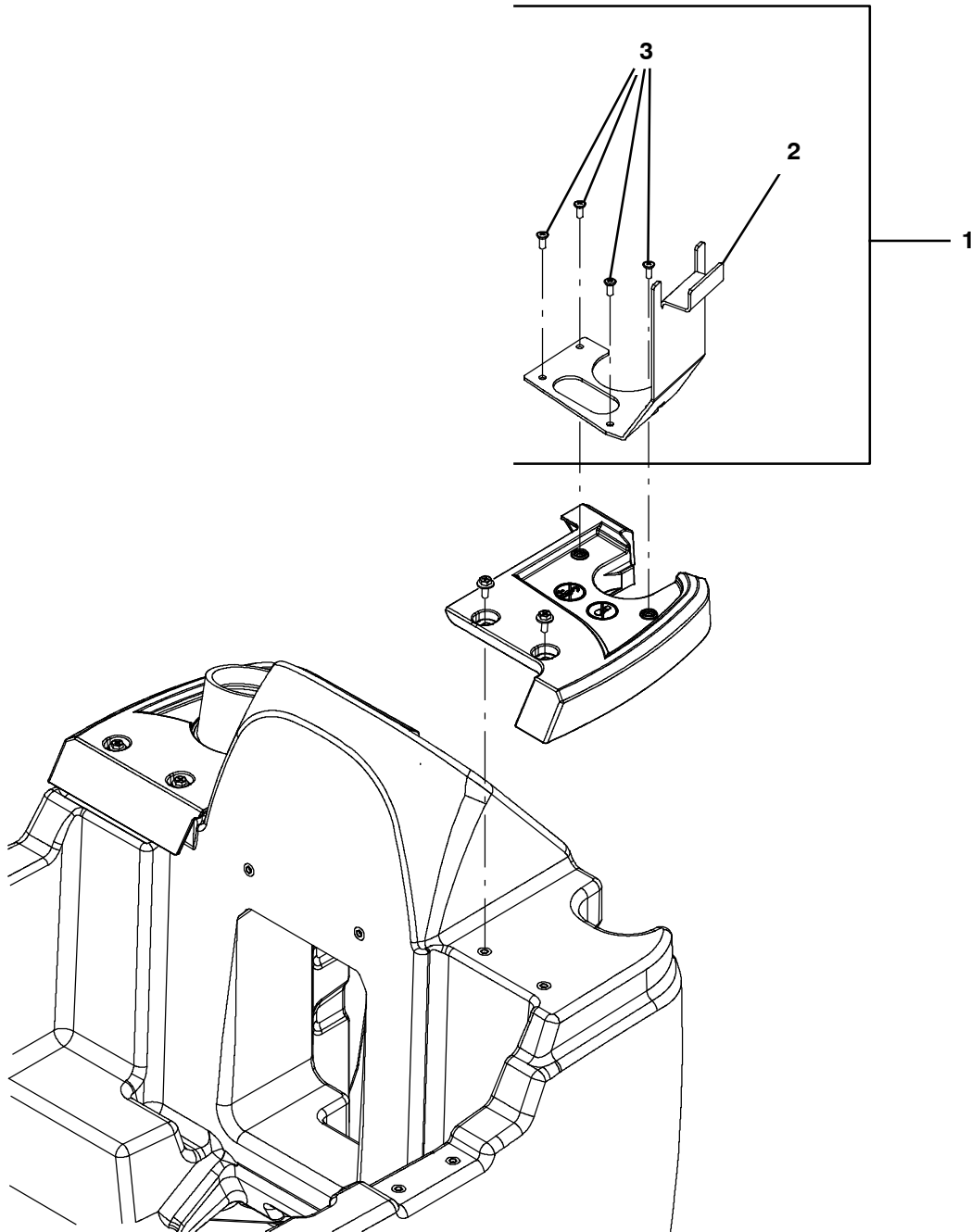
| Ref. | Part No.  | Serial Number        | Description                          | Qty. |
|------|-----------|----------------------|--------------------------------------|------|
| ▽    | 9042171   | (10000000-20000000 ) | Parts Kit, Autofill, Ci [T600e]      | 1    |
| ▲    | 1 1227512 | (10000000-20000000 ) | Fitting, Plstc, Qd, Female           | 1    |
| ▲    | 2 1227400 | (10000000-20000000 ) | Fitting, Plstc, Qd, Male             | 1    |
| ▲    | 3 1034731 | (10000000-20000000 ) | Screw, Hex, M6 X 1.00 X 16, Sems, Ss | 4    |
| ▲    | 4 1231938 | (10000000-20000000 ) | Bracket Wldt, Fill, Auto             | 1    |
| ▲    | 5 1228286 | (10000000-20000000 ) | Gasket, Bracket, Fill, Auto          | 1    |
| ▲    | 6 1219566 | (10000000-20000000 ) | Valve, Float, 6.7gpm                 | 1    |

▽ ASSEMBLY

▲ INCLUDED IN ASSEMBLY

TALL WET FLOOR SIGN HANGER KIT

355664



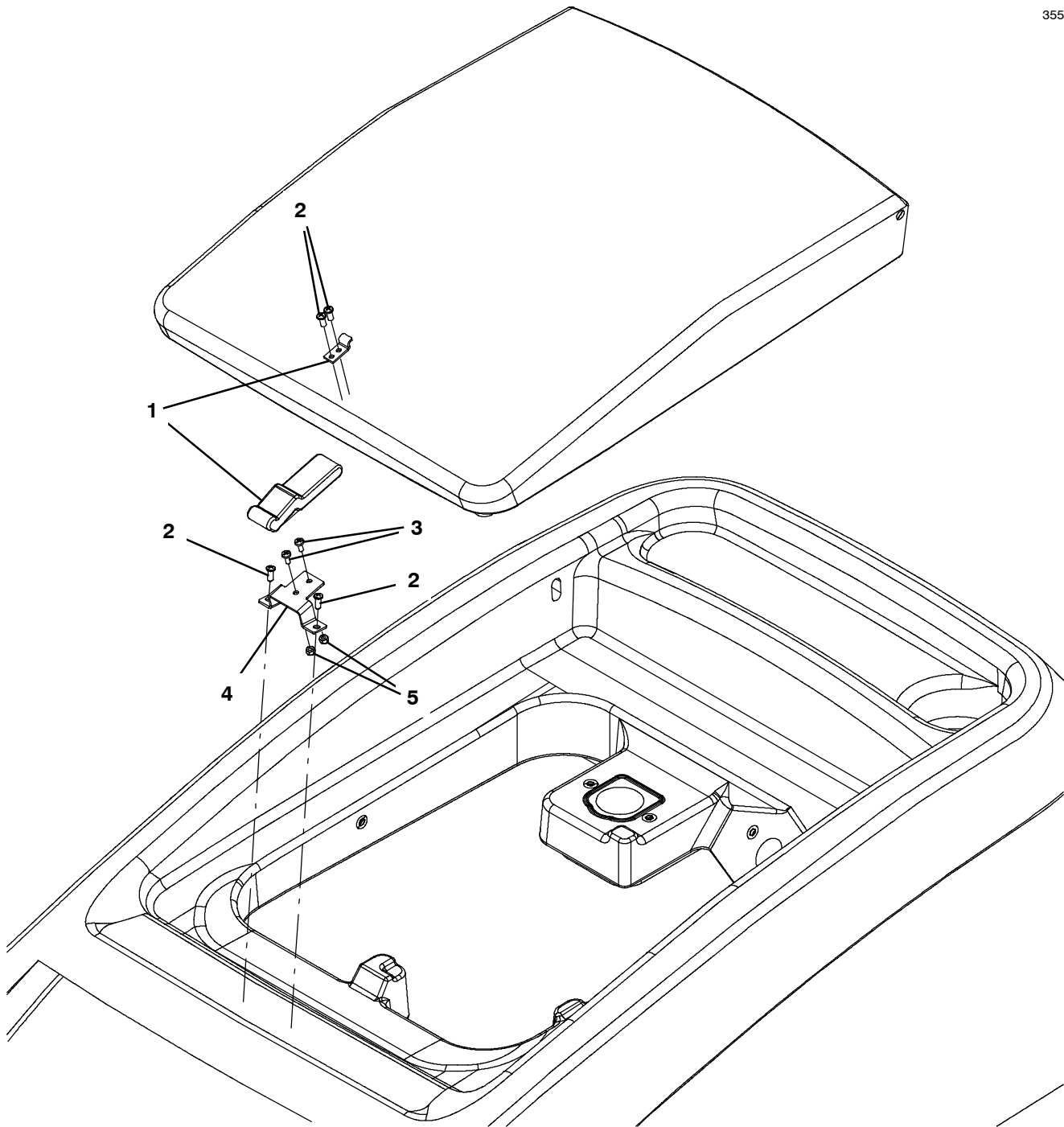
| Ref. | Part No. | Serial Number | Description  | Qty. |
|------|----------|---------------|--|------|
| ▽    | 1        | 9016988       | (10000000- 20000000 ) Support Kit, Sign, Ci [T600]             | 1    |
| ▲    | 2        | 1237354       | (10000000- 20000000 ) Bracket Wldt, Hanger, Sign [T600]        | 1    |
| ▲    | 3        | 360973        | (10000000- 20000000 ) Screw, Pan, Phl, 12- 16 X 0.50, F/ Plstc | 4    |

▽ ASSEMBLY

▲ INCLUDED IN ASSEMBLY

TRANSPORT KIT

355621



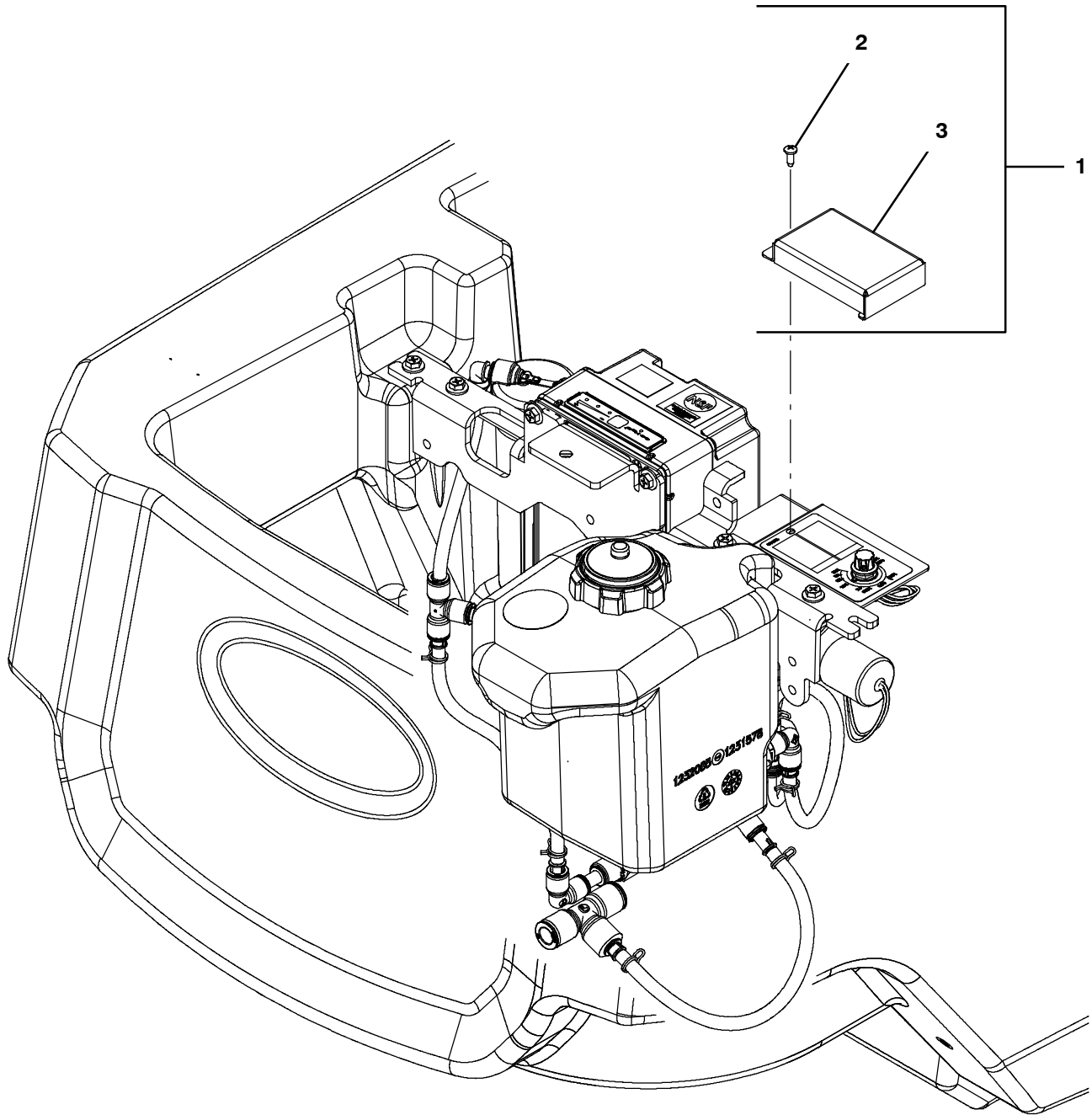
| Ref. | Part No. | Serial Number       | Description                             | Qty. |
|------|----------|---------------------|---|------|
| ▽    | 9042166  | (10000000-20000000) | Transport Kit, Ci [T600/T600e]          | 1    |
| ▲ 1  | 140932   | (10000000-20000000) | Latch, Draw, Rbr, W/ Keeper, Fr/49800   | 1    |
| ▲ 2  | 140825   | (10000000-20000000) | Screw, Pan, Phl, 06 X 0.50, Fmg/Ab, Blk | 4    |
| ▲ 3  | 49697    | (10000000-20000000) | Screw, Pan, Phl, M4 X 0.70 X 10, Ss     | 2    |
| ▲ 4  | 1230140  | (10000000-20000000) | Bracket, Mtg, Latch                     | 1    |
| ▲ 5  | 33932    | (10000000-20000000) | Nut, Hex, Lock, M4 X 0.70, NI, Ss       | 2    |

▽ ASSEMBLY

▲ INCLUDED IN ASSEMBLY

SEVERE ENVIRONMENT LOCKOUT KIT (T600 MODEL)

355714



|   | Ref. | Part No. | Serial Number         | Description                               | Qty. |
|---|------|----------|-----------------------|---|------|
| ▽ | 1    | 9017884  | (10000000- 20000000 ) | Lockout Kit, Severe Environment           | 1    |
| ▲ | 2    | 140350   | (10000000- 20000000 ) | Screw, Pan, Phl, 10- 16 X 0.50, Ss[Typ25] | 1    |
| ▲ | 3    | 1239732  | (10000000- 20000000 ) | Cover, Knob, Severe Enviroment            | 1    |

▽ ASSEMBLY

▲ INCLUDED IN ASSEMBLY

## DOCUMENTATION GROUP

| Ref. | Part No. | Serial Number         | Description                        | Qty. |
|------|----------|-----------------------|------------------------------------|------|
|      | 9016599  | (10000000- 20000000 ) | Manual, Parts [T600/T600e, Na]     | 1    |
|      | 9016600  | (10000000- 20000000 ) | Manual, Oprtr [T600/T600e, En,Na]  | 1    |
|      | 9016601  | (10000000- 20000000 ) | Manual, Oprtr [T600/T600e, Es,Na]  | 1    |
|      | 9016602  | (10000000- 20000000 ) | Manual, Oprtr [T600/T600e, Fr,Na]  | 1    |
|      | 9016603  | (10000000- 20000000 ) | Manual, Oprtr [T600/T600e, Ptbr]   | 1    |
|      | 9016604  | (10000000- 20000000 ) | Instr, Wall Chart [T600/T600e, Na] | 1    |
|      | 9016605  | (10000000- 20000000 ) | Manual, Service [T600/T600e, En]   | 1    |



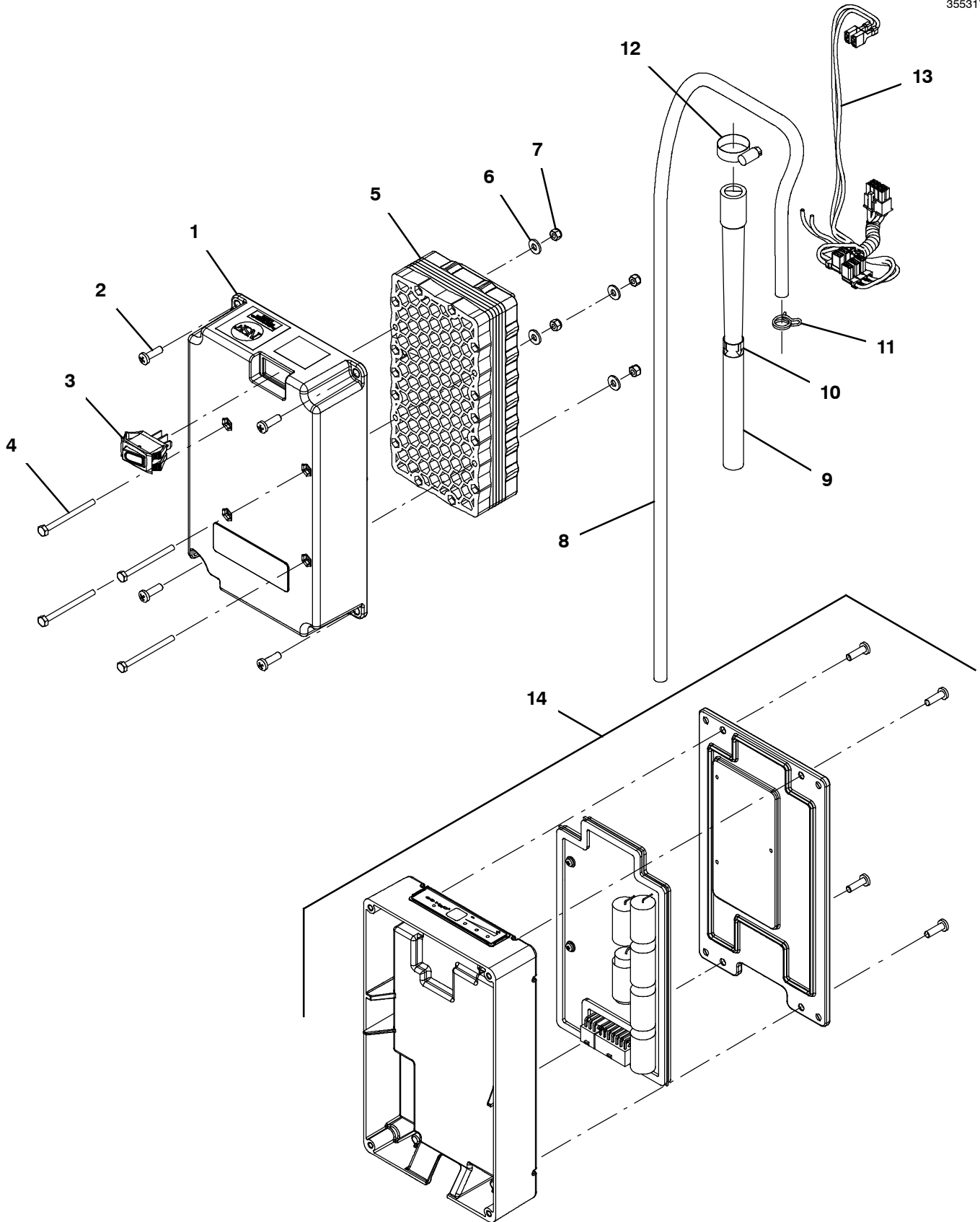
To view, print, order, download the latest Parts manual, other language Operator manuals, and Use and Care Guides (wall charts), visit:

[www.tennantco.com/manual](http://www.tennantco.com/manual)



ec- H2O NANOCLEAN MODULE BREAKDOWN

355317





**ec- H2O NANOCLEAN MODULE BREAKDOWN**

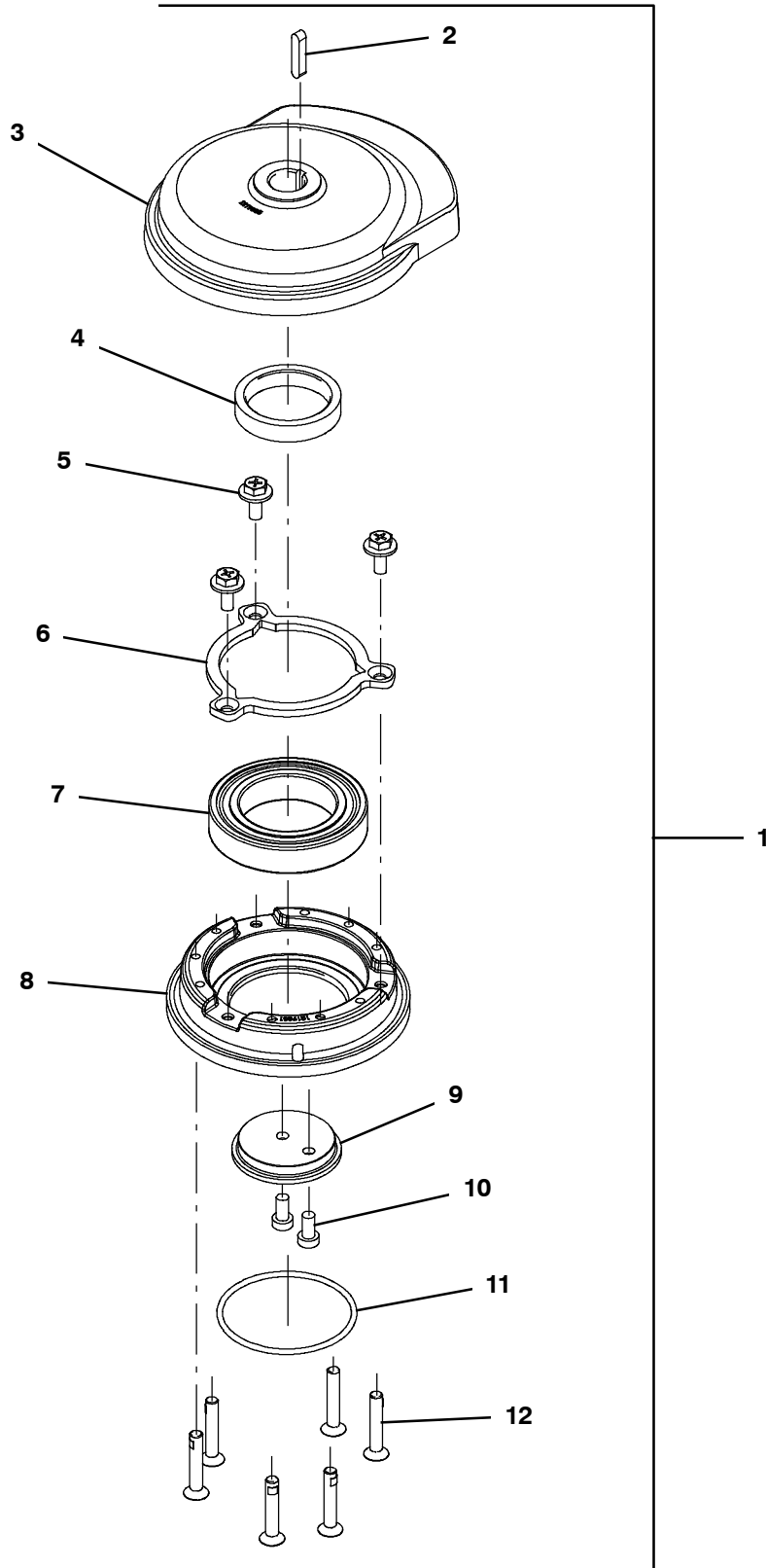
|    | <b>Ref.</b> | <b>Part No.</b> | <b>Serial Number</b>  | <b>Description</b>  | <b>Qty.</b> |
|----|-------------|-----------------|-----------------------|---|-------------|
| ▽  |             | 9011810         | (10000000- 20000000 ) | Module Kit, Replmt [Ec- H2o, B 02]<br>(Includes ec- H2O NanoClean Cartridge)  | 1           |
| ▲▽ |             | 9014126         | (10000000- 20000000 ) | Ec- H2o Nc Kit [Module B, Plumbing]   | 1           |
| ▲▲ | 1           | 1208823         | (10000000- 20000000 ) | Housing, Module, Upper, Ec- H2o   | 1           |
| ▲▲ | 2           | 1015506         | (10000000- 20000000 ) | Screw, Pan, Phl, M5 X 16, Tcut [Plastic]                                      | 4           |
| ▲▲ | 3           | 1044393         | (10000000- 20000000 ) | Switch, Rocker, Spst, Mom   | 1           |
| ▲▲ | 4           | 32509           | (10000000- 20000000 ) | Screw, Hex, M4 X 0.70 X 50, Ss  | 4           |
| ▲▲ | 5           | 1208164         | (10000000- 20000000 ) | Electrode, 5 Plate, High Flow   | 1           |
| ▲▲ | 6           | 41579           | (10000000- 20000000 ) | Washer, Flat, 08, Ss  | 4           |
| ▲▲ | 7           | 33932           | (10000000- 20000000 ) | Nut, Hex, Lock, M4 X 0.70, NI, Ss   | 4           |
| ▲▲ | 8           | 1006415         | (10000000- 20000000 ) | Hose, Afmkt, Pvc, Clr, 0.25id, 03ft   | 1           |
| ▲▲ | 9           | 1208526         | (10000000- 20000000 ) | Hose, Molded, Bm08/Bm06   | 1           |
| ▲▲ | 10          | 1049637         | (10000000- 20000000 ) | Label, Direction [Ec- H2o]  | 1           |
| ▲▲ | 11          | 613735          | (10000000- 20000000 ) | Clamp, Hose, Wir, .40 - .42, Yel  | 1           |
| ▲▲ | 12          | 54333           | (10000000- 20000000 ) | Clamp, Hose, Wormdrive, 0.31- 0.88d, .31w                                     | 1           |
| ▲▲ | 13          | 1073286         | (10000000- 20000000 ) | Harness, Ele, Module B2 [Ec- H2o]   | 1           |
| ▲  | 14          | 9014127         | (10000000- 20000000 ) | Controller Kit, Replmt [Ec- H2o Nc]<br>(Includes ec- H2O NanoClean Cartridge) | 1           |

▽ ASSEMBLY

▲ INCLUDED IN ASSEMBLY

ORBITAL HEAD ECCENTRIC DRIVE BREAKDOWN

355477



## ORBITAL HEAD ECCENTRIC DRIVE BREAKDOWN

|   | Ref. | Part No. | Serial Number         | Description                              | Qty. |
|---|------|----------|-----------------------|--|------|
| ▽ | 1    | 9015774  | (10000000- 20000000 ) | Eccentric Drive Kit, Orbital             | 1    |
| ▲ | 2    | 1231238  | (10000000- 20000000 ) | Key, Sq, 5mm X 5mm X 22mm                | 1    |
| ▲ | 3    | N/A      | (10000000- 20000000 ) | Balance, Eccentric, Step [Machined]      | 1    |
| ▲ | 4    | N/A      | (10000000- 20000000 ) | Spacer, Eccentric                        | 1    |
| ▲ | 5    | N/A      | (10000000- 20000000 ) | Screw, Hex, M6 X 1.00 X 16, Sems         | 3    |
| ▲ | 6    | N/A      | (10000000- 20000000 ) | Plate, Retainer, Brg, Outer              | 1    |
| ▲ | 7    | 1220452  | (10000000- 20000000 ) | Bearing, Ball, 2.17b 3.54d .71w          | 1    |
| ▲ | 8    | N/A      | (10000000- 20000000 ) | Housing, Bearing, Outer [Machined]       | 1    |
| ▲ | 9    | N/A      | (10000000- 20000000 ) | Retainer, Bearing, Inner [Qpq]           | 1    |
| ▲ | 10   | N/A      | (10000000- 20000000 ) | Screw, Soc, M6 X 1.00 X 12, 8.8, Low     | 2    |
| ▲ | 11   | 1221394  | (10000000- 20000000 ) | Seal, Org, .125 X 02.63id                | 1    |
| ▲ | 12   | 1212710  | (10000000- 20000000 ) | Screw, Flt, Soc, M6 X 1.00 X 35, 10.9,NI | 6    |

▽ ASSEMBLY

▲ INCLUDED IN ASSEMBLY