

Read these Instructions before using the machine.
Read these Safety Messages before using the machine.



INTRODUCTION

This manual is furnished with each new machine. This manual will allow the Operator to get the best performance out of your RPS manufactured Scrubber-Drier, Sweeper, Burnisher, or Orbital Scrubber. Read this manual thoroughly before operating or servicing the machine.

This machine will provide excellent performance, but the best results will be obtained at the most minimum costs if:

- The machine is regularly maintained - per the machine Preventative Maintenance instructions provided.
- The machine is operated with reasonable care and caution.
- The machine is maintained with manufacturer supplied parts.

ABOUT THIS MANUAL

TABLE OF CONTENTS: Tells you where to look in the manual.

SAFETY MESSAGES: Section contains important information regarding hazard or unsafe practices of the machine. Levels of hazards are identified that could result in product or personal injury, or severe injury resulting in death.

OPERATION CONTROLS / MACHINE COMPONENTS: Shows you the different machine controls and features.

MACHINE SETUP: Tells you how to setup machine from un-crating to installing squeegee and brushes.

MACHINE OPERATION: Section is to familiarize the operator with the operation and function of the machine.

BATTERY CHARGING: Shows you how to charge the batteries (on-board and off board charging).

MAINTENANCE: This section contains preventative maintenance to keep the machine and it's components in good working condition. They are listed in this general order:

- Batteries
- Brooms
- Service Schedule
- Machine Trouble Shooting

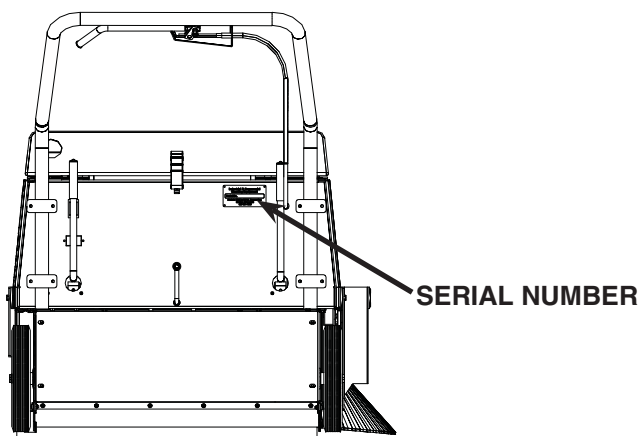
TROUBLE SHOOTING: A list of common problems that may occur.

MACHINE SPECS: Tells you Machine Specifications for the various parts of the machine.

MACHINE INSTALL FORM: Should be filled out upon machine installation and faxed to 1-866-632-6961 or online at www.rpscoperation.com.

WARRANTY POLICY: Tells you coverage, exclusions and limitations to warranty.

NOTE: The serial number of your machine is located on the lower half of the control panel of the machine.



AS OUR POLICY IS ONE OF CONSTANT IMPROVEMENT - ALL INFORMATION AND SPECIFICATIONS ARE SUBJECT TO CHANGE WITHOUT NOTICE.

TABLE OF CONTENTS

Introduction	2	On-Board Battery Charging:	14
		Description of LED.....	14
About This Manual	2	Battery Charging	15
Table of Contents	3	External Battery Charging (Optional):	15
Safety Messages	4	Battery Maintenance Guide	16
Safety Label Locations	6	Safety:	16
Operation Controls	7	Inspection and Cleaning:	16
		Storage:	16
Operation Controls	8	Watering:	16
Machine Components	9	Maintenance	17
Machine Setup	10	Daily Maintenance:	17
Un-Crating Machine:.....	10	Weekly Maintenance:	17
Connecting Batteries:.....	10	Monthly Maintenance:	17
Installing Main Broom:.....	10	Yearly Maintenance:	17
Installing Side Brooms:.....	11	Storing Machine:	17
Adjusting Side Brooms:.....	11	Checking Battery Specific Gravity:	17
Machine Operation	11	GT PM Records	18
On-Board Charger	14	Common Wear Parts	20
		Cylindrical Brooms:	20
		Side Brooms:	20
		Filter Kits:	20
		Seal kits:	20

SAFETY MESSAGES

You will see four kinds of safety reminders in this manual:

DANGER

DANGER indicates a hazardous situation which, if not avoided, will result in death or serious injury.

WARNING

WARNING indicates a potentially hazardous situation which, if not avoided, could result in death or serious injury.

CAUTION

CAUTION indicates a potentially hazardous situation which, if not avoided, could result in minor or moderate injury or damage to this machine or nearby objects. CAUTION also can be used to alert against unsafe practices.

NOTICE

NOTICE indicates information considered important, but not hazard-related. This safety message may be related to property damage or warranty warnings.

Your safety, and that of others, is very important. Operating this machine safely is an important responsibility.

DO NOT OPERATE THIS MACHINE:

- Unless you are trained and authorized to do so
- Unless you have read and understood this Operator's Manual
- On surfaces with greater than a 2% grade unless this machine is equipped with a functional parking brake
- On surfaces with greater than an 8% grade at any time
- On Loading Docks

WHEN OPERATING THIS MACHINE:

- Remove loose objects from the floor that could be projected from the rotating Brushes
- Keep your hands and feet away from the rotating Brushes
- Do not operate this machine where flammable liquids are present
- Use caution when maneuvering

BEFORE LEAVING THE MACHINE:

- Park the machine on a level surface
- Turn the machine off

BEFORE SERVICING THE MACHINE:

- Disconnect the Batteries

DANGER

Explosive hydrogen gas forms when Batteries are charging. An open flame or spark can cause this gas to explode. Serious personal injury or property damage could occur. Only charge the Batteries in this machine in a well ventilated area.

! WARNING

The Batteries in this machine produce hazardous voltage which can cause electrical shock, burns and/or electrocution. Always disconnect Batteries before servicing this machine.

! WARNING

This unit is intended for use indoors, and on dry surfaces. If outdoor use is necessary, remain on solid ground (not gravel or sand). Avoid standing water and be familiar with the use of the "wet-sweep" bypass.

! WARNING

The Batteries in this machine contain sulfuric acid, which causes burns to skin. If battery acid contacts clothing or skin, rinse the effected area with cold water immediately. If battery acid gets on your face or in your eyes, flush the area immediately with cold water and seek medical attention.

! WARNING

To avoid electrical shock, do not operate this machine over electrical floor outlets.

! WARNING

Dress safely. Do not wear rings or metal wrist watches when servicing this machine, as they can cause an electrical short circuit which can cause serious burns.

! WARNING

Do not remove, paint over or destroy warning decals. If warning decals become damaged, call 1-262-681-3583 for free replacements.

! CAUTION

Do not operate this machine if any parts have been damaged or removed.

! CAUTION

Always use the automatic battery charger provided by the manufacturer of this machine to charge the Batteries of this machine. It is designed to charge the Batteries at the appropriate rate. If you must use a different charger, disconnect the Batteries before charging to avoid damage to the electronic speed controller.

! WARNING

Dress safely. Do not wear a neck tie, scarf, or any loose or dangling clothing while operating this machine. Loose or dangling clothing or neck-wear can tangle in rotating parts, causing serious injury or death.

! WARNING

Always turn off this machine before leaving it unattended. Do not allow untrained persons to operate this machine.

! WARNING

NO RIDERS. Do not carry passengers on this machine. Do not use this machine as a stepladder or work platform.

! WARNING

Understand the dynamic braking system before you operate the machine on ramps. Machine may coast.

! WARNING

Before you service a Battery, always wear face protection, protective gloves and protective clothing. Battery acid or battery explosion can cause serious injuries.

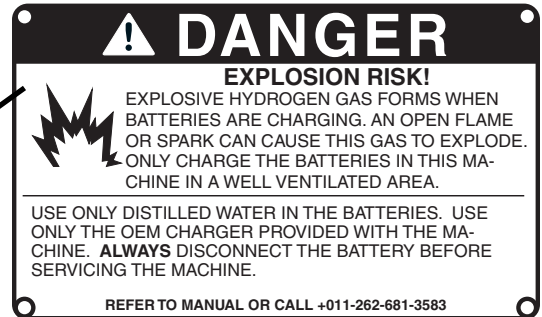
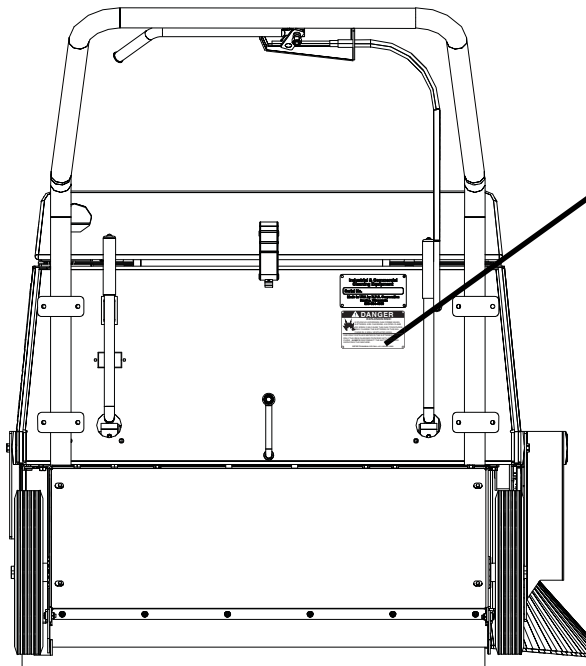
! CAUTION

To avoid damage to the electronic control components of this machine, Do not store this machine outdoors. Do not pressure wash this machine.

SAFETY LABEL LOCATIONS

Read and obey all Safety Labels on your GT Floor Sweeper. If you have questions about these labels, ask your supervisor.

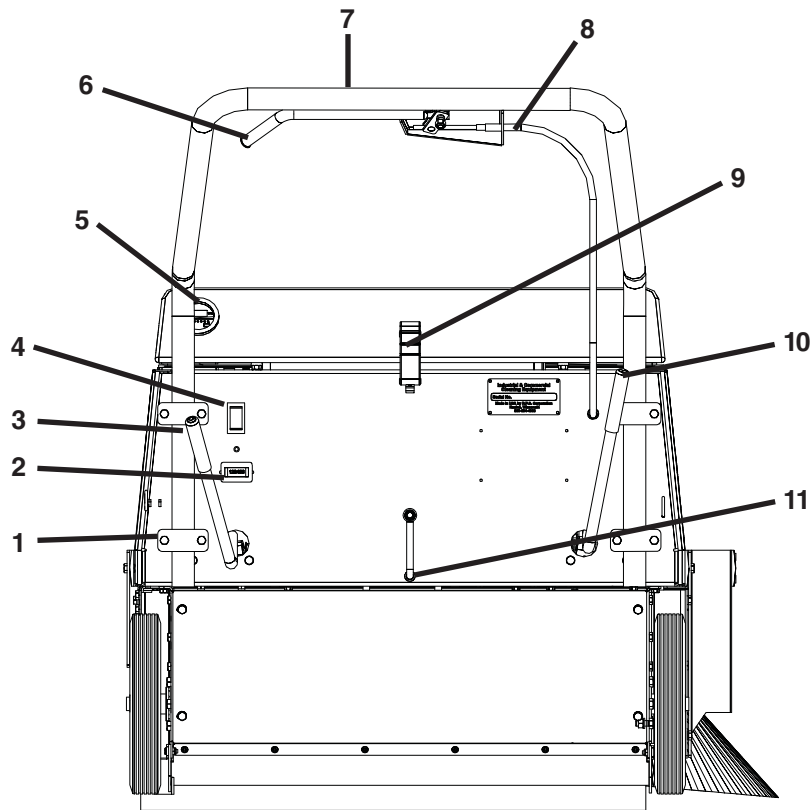
These images indicate where on the GT Safety Labels are located. If ever the labels become illegible, worn off, or torn, promptly report it to your supervisor and replace it.



BATTERY CHARGING LABEL

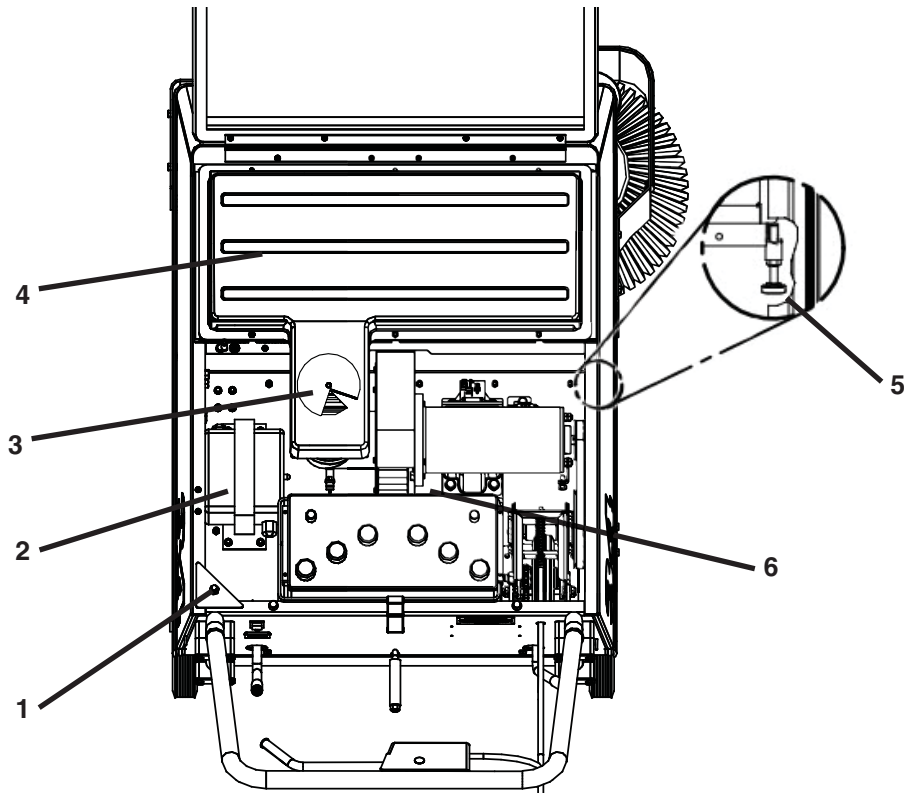
PART #: 253-7280

OPERATION CONTROLS



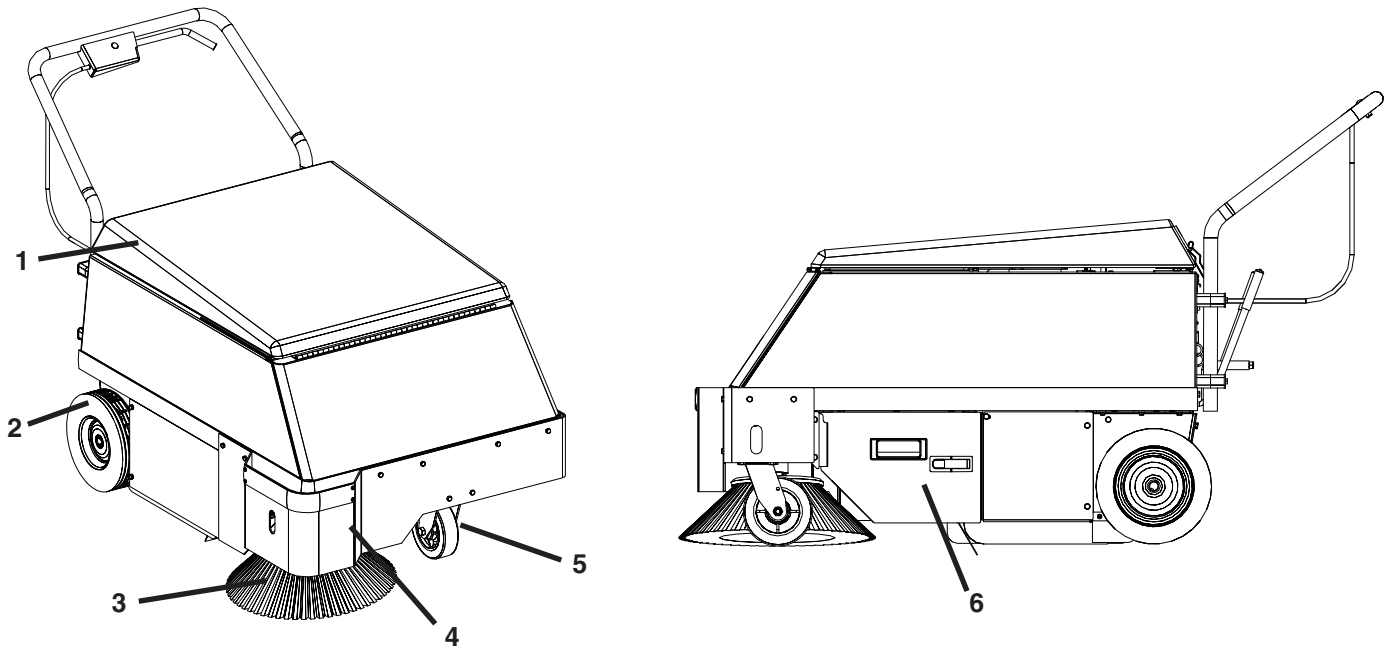
1. **HANDLEBAR ADJUSTMENT CLAMPS:** Loosen clamps to adjust the total height of the handlebar
2. **RECHARGE CYCLE METER:** Shows the amount of charges on a machine
3. **MAIN BROOM POSITION LEVER:** Controls whether the Main Broom is UP (Lever to the left) or Main Broom is DOWN (Lever to the right)
4. **MAIN POWER OFF/MAIN/SIDEBROOM SWITCH:** Controls what on the machine has power - If in the middle position, only Main Broom has power while in the top position the Side Broom has power as well
5. **BATTERY GAUGE / HOUR METER:** Indicates the amount of battery charge remaining along with total hours used
6. **CLUTCH AND BRAKE LEVER:** Pulling on the lever engages the clutch wheel to drive Rear Wheels and lowering the lever engages the Brake
7. **ADJUSTABLE HANDLEBAR:** Handlebars being adjustable by loosening and lowering or raising the full handlebar piece allows Operators of any height to operator the machine comfortably
8. **CLUTCH AND BRAKE CABLE ADJUSTMENT:** The Clutch and Brake operator with the same control and by way of the same clutch donut - for adjusting see Clutch and Brake Adjustment
9. **HOOD LATCH:** Locks the hood down in place - Release to gain access underneath the hood
10. **SIDE BROOM POSITION LEVER:** Controls whether the Side Broom is UP (Lever to the right) or Side Broom is DOWN (Lever to the left)
11. **FILTER SHAKER CRANK:** Turn the Filter Crank to clean out the filter before emptying the Hopper - Crank must be vertical before removing or replacing the Hopper

OPERATION CONTROLS



1. **SAFETY SHUT-OFF SWITCH:** Safety Switch that doesn't apply motors to operate unless depressed - Automatically operated by closing the Hood
2. **ONBOARD BATTERY CHARGER:** Onboard charger allows operator to charge machine wherever the need may arise
3. **WET-SWEEP BYPASS DOOR:** Door closed to operate on normal floors - open door for sweeping on WET floors
4. **DUST FILTER ACCESS PLATE:** Access Plate holds Filter in place - if need to replace filter should arise remove Access Plate to gain access to the Filter
5. **SIDE BROOM ADJUSTMENT KNOB:** Adjust Knob in the right direction to elevate the Down position of the Side Broom - likewise adjust knob left to lower the Down position of the Side Broom
6. **BATTERY ANDERSEN CONNECTOR:** Disconnect batteries easily and quickly with the quick disconnect Andersen Connector on the battery

MACHINE COMPONENTS



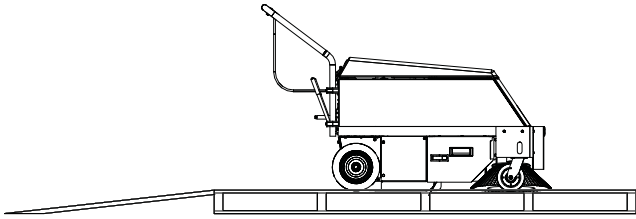
1. **MACHINE HOOD:** Machine Hood automatically hits Motor Safety Switch upon closure
2. **REAR WHEELS:** Rear Wheels driven by the Clutch Lever
3. **SIDE BROOM:** Machine is equipped with a Side Broom - to activate the Side Broom, ensure that the Power Switch is to UP position
4. **HD BUMPER (OPTIONAL):** For extra protection for the Side Broom system against Walls and other objects
5. **FRONT CASTER:** 180° Swivel Front caster allows easy maneuverability of the machine
6. **HOPPER:** Stores all dust and debris from sweeping - To empty, release latch and pull out from under machine

MACHINE SETUP

UN-CRATING MACHINE:

Carefully check the crate for any signs of damage and that the batteries are in the unit.

To un-crate the machine, remove banding strips from around the crate. Take off the top and sides and dispose properly. Remove brackets from machine wheels. Remove bolts from pallet, then remove board. Carefully roll the machine off of the base. Notify the carrier immediately if concealed damage is discovered.

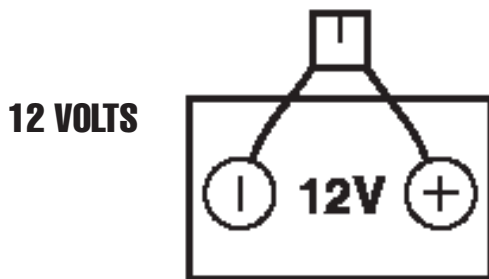


CONNECTING BATTERIES:

Your machine is equipped with (1×) 12-Volt/ 175 AH, (1×) 12-Volt/ 215 AH, or (1×) 12-Volt/ 225 AH Wet Lead Acid, AGM, Industrial, or Deep Cycle Battery which form a 12 Volt system.

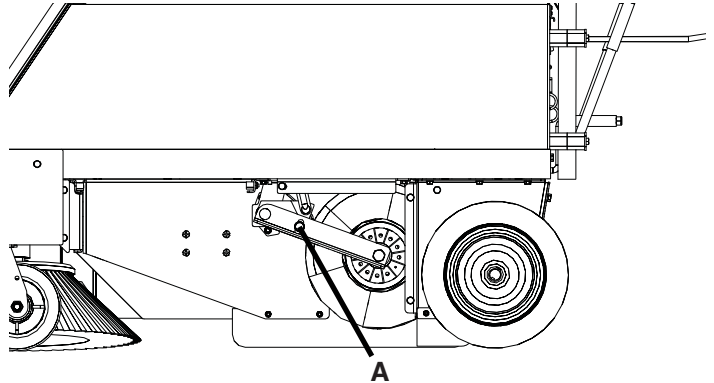
(SEE PICTURE BELOW FOR CORRECT CABLE CONNECTIONS)

1. Turn all switches to the *OFF* position and remove Key (*Optional*).
2. Release Machine Hood Latch and open Machine Hood. Attach all Battery Cables to Terminals as shown below.
3. Turn *ON* main power switch and check the Battery Meter to ensure correct installation. Charge Batteries if needed (**SEE BATTERY CHARGING**).



INSTALLING MAIN BROOM:

1. Turn Key Switch to the *OFF* position and remove Key (*Optional*). Unplug Battery Connector.
2. Shake the filter and ensure that the Main Broom and the Side Broom are off the ground.
3. Remove Hopper and unscrew 3 screws to remove the Broom Access Door.
4. Remove bolt holding Idler Arm in place (**A**) (**SEE BELOW**).

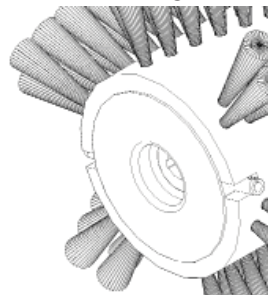


5. Remove Idler Arm and pull out old Broom.
6. Slide the new Broom in. With new Broom on Driver, spin until Driver engages Broom.
7. Reinstall Idler Arm and tighten bolt.
8. If Broom is not level, loosen bolt and run Main Broom motor for a couple seconds.
9. Retighten bolt and ensure Broom is level.

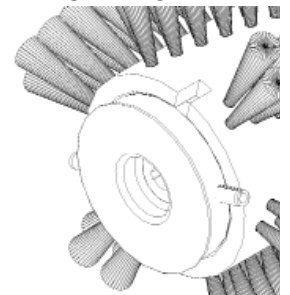
NOTICE

For correct Main Broom application - Contact your Local Servicing Dealer.

DRIVER ALIGNED



NOT ALIGNED

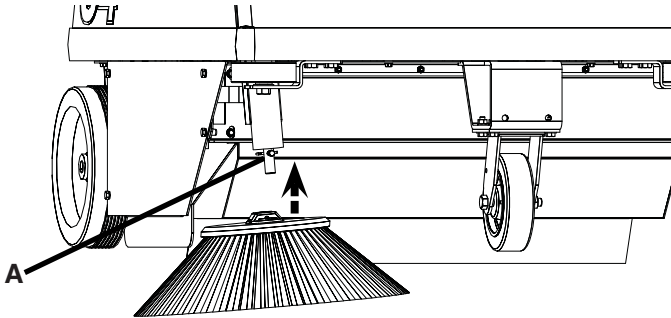


NOTICE

Batteries are a possible environmental hazard. Consult your Battery supplier for safe disposal methods.

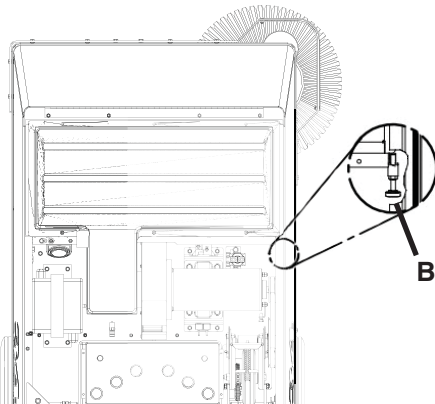
INSTALLING SIDE BROOMS:

1. Lower the Side Broom by moving the lever and adjusting it to the left.
2. Remove the Side Broom from the box.
3. Install the Side Broom onto the Motor Shaft. Use the bottom hole on the shaft to install the Clevis Pin and Safety Clip **(A)** (SEE BELOW).
4. Check Side Broom height to see if Adjustments are needed.

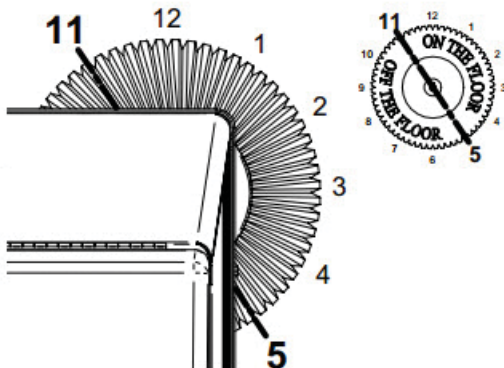


ADJUSTING SIDE BROOMS:

1. To adjust Side Broom height, turn Adjustment Screw Clockwise to raise and Counterclockwise to lower **(B)** (SEE BELOW).



2. The Side Broom bristles should contact the floor in a 11 o'clock to a 5 o'clock pattern when the Broom is in motion (SEE BELOW).



MACHINE OPERATION

PRE-CLEANING CHECKLIST:

Read and understand the Safety Messages section on Pages 3 and 4 before operating the machine.

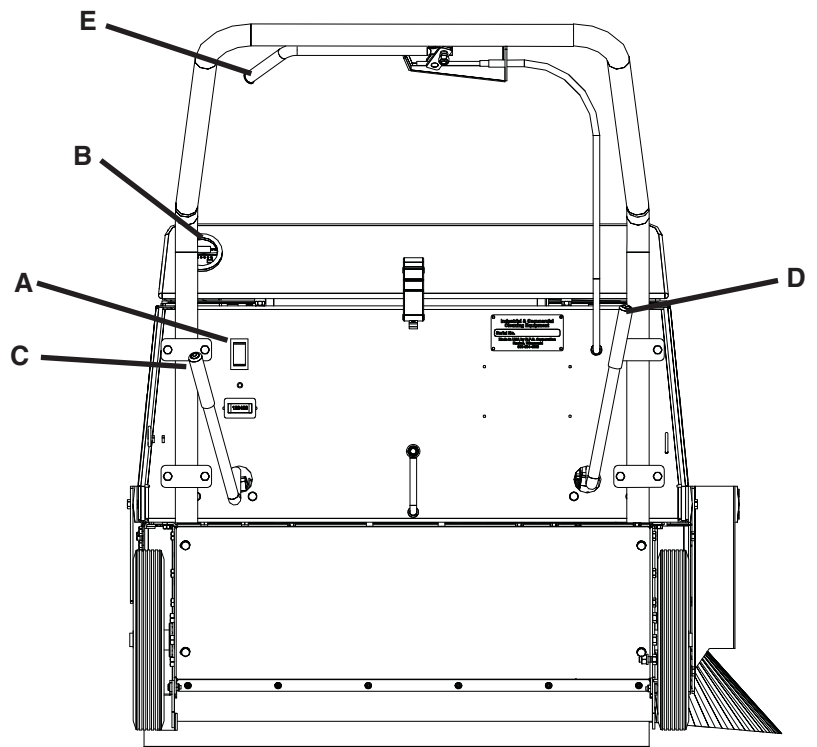
1. Check Battery Condition Gauge. Make sure Batteries are fully charged before using.
2. Check the condition of the Brooms.
3. Check to make sure Hopper is empty.
4. Disconnect Charger and close Hood.
5. Adjust the Handle Bar height if needed.
6. Turn the Power Switch *ON* and drive to the area to be cleaned. The Power Switch is a three position switch. The Down position is machine *OFF*. The Middle position turns *ON* the Machine and Main Broom. The Up position turns *ON* the Side Brooms while keeping the Machine and Main Broom running.
7. Confirm the Side Brooms height is correct, if not adjust using the Side Broom Height Adjustment knob.
8. Lower the Main Broom and the Side Brooms using the Broom Position Levers.
9. Drive slowly by pulling the Clutch lever.

OPERATING HINTS:

1. Observe the amount of dirt/debris that the machine is sweeping up. If dirt/debris is left on ground make sure that the Wet Sweep By-Pass is not open. This feature reduces dust control and should only be used when operating on a floor with water on it.
2. Always operate at lower speeds when sweeping around walls and objects. You should reduce the speed to maintain control when turning.
3. Change or turn over Brooms when dirty.
4. Stay clear of objects protruding from the floor such as sockets, grates, etc, for they will damage the Brooms.
5. Always keep an eye on your gauges. They let you know the status of a particular system at a glance. If your battery gauge is reading low you must stop immediately and recharge. Running the Batteries dead will result in damage to the Batteries.
6. When you are ready to stop, raise the Side Brooms, raise the Main Broom, turn *OFF* the Side Broom Switch and drive the machine back to the charging area. Be sure to clean the Hopper thoroughly before storing the machine.

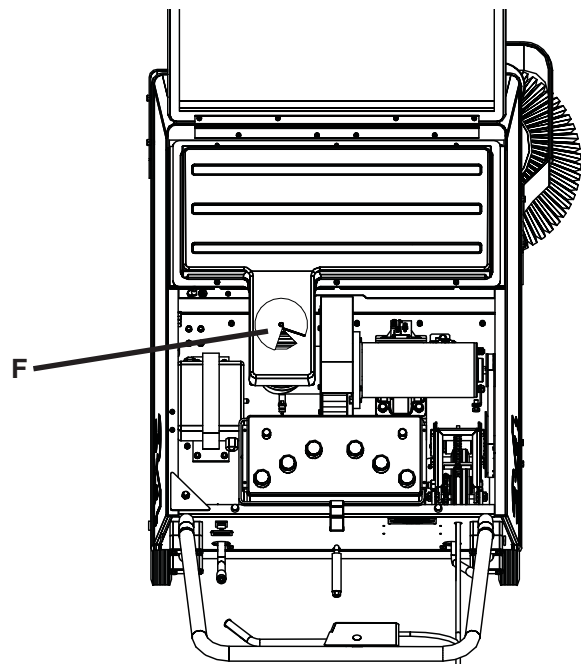
SWEEPING:

1. Turn on machine Power Switch **(A)**. Switch in the Middle position will power Main Brooms only. Switch in the Up position will power Main Brooms and Side Brooms.
2. Check the Battery Gauge to ensure proper charge before starting to sweep **(B)**.
3. Lower the Main Broom to the floor by dropping the Main Broom Lift Lever forward **(C)**.
4. Lower the Side Brooms head to the floor by dropping the Side Broom Lift Lever forward **(D)**.
5. Begin sweeping by pulling the Clutch lever **(E)** slowly and then to the speed required.
6. To operate the machine in reverse, simply release the Clutch Lever **(E)** to its neutral position and push or pull machine.
7. To stop the machine, move the Clutch Lever all the way forward to activate the brake **(E)**. Always raise the Brooms before stopping to prevent flattening of the Broom bristles.



WET SWEEPING:

1. Turn on machine Power Switch **(A)**. Switch in the Middle position will power Main Brooms only. Switch in the Up position will power Main Brooms and Side Brooms.
2. Check the Battery Gauge to ensure proper charge before starting to sweep **(B)**.
3. Lower the Main Broom to the floor by dropping the Main Broom Lift Lever forward **(C)**.
4. Lower the Side Brooms head to the floor by dropping the Side Broom Lift Lever forward **(D)**.
5. Open the WET Sweep By-Pass door by rotating it clockwise **(F)**. This door being open reduces the Dust Control. Always remember to close door when sweeping again once on dry ground.
6. Begin sweeping by pulling the Clutch lever **(E)** slowly and then to the speed required.
7. To operate the machine in reverse, simply release the Clutch Lever **(E)** to its neutral position and push or pull machine.
8. To stop the machine, move the Clutch Lever all the way forward to activate the brake **(E)**. Always raise the Brooms before stopping to prevent flattening of the Broom bristles.



CLEANING FILTER:

1. If dust begins to blow through the Vacuum Motor, is leaking out of the sides, or machine begins to not sweep well, then the filter needs to be cleaned.
2. Before cleaning Filter, turn off Main Broom and Side Broom motors.
3. Clean the Filter by turning the Beater Bar Shaker for 20 seconds **(B)**.

NOTICE

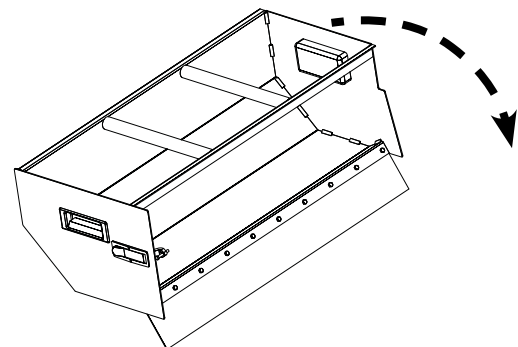
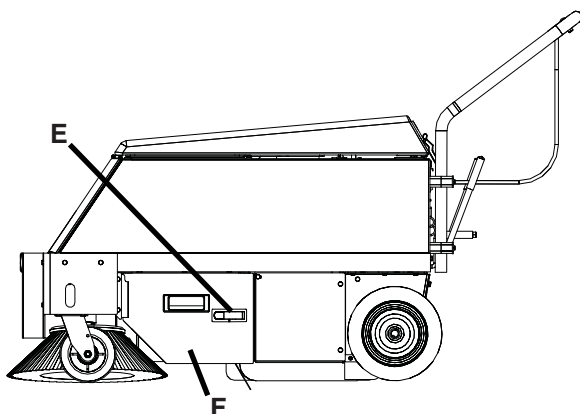
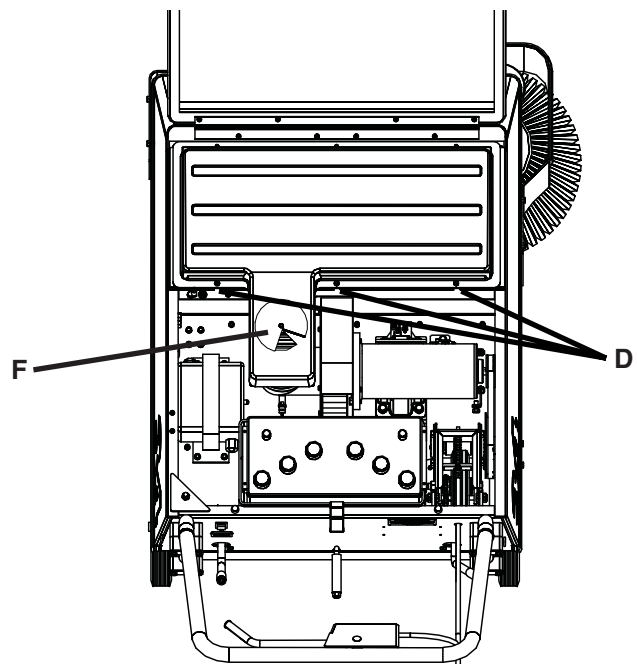
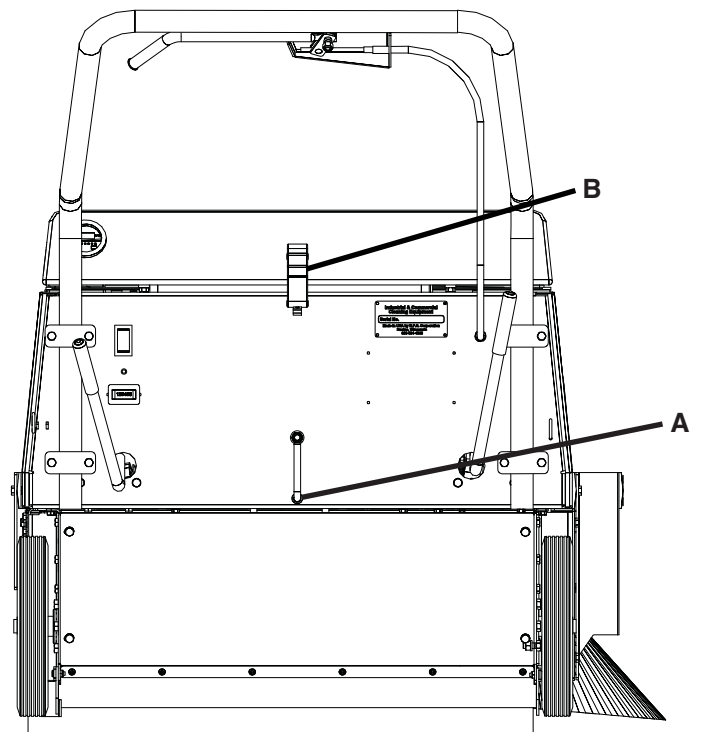
After using the Shaker Switch let the machine sit for 30 seconds to allow the dust time to settle.

CHANGING FILTER:

1. To remove Filter, open Machine Hood by releasing the Hood Latch **(C)**.
2. Undo the three Keys Nuts and lift open the Filter Chamber Lid **(D)**.
3. Pull out old Filter and replace with new one.

EMPTY HOPPER:

1. After machine usage, stop and shake filter.
2. Turn machine **OFF**.
3. Release the Hopper Access Latch **(E)** and remove the Hopper **(F)**. Always ensure that Beater Bar is in the upright position before removing Hopper. Damage can occur if Hopper removed incorrectly.
4. Clean Hopper thoroughly before sliding back in machine.



ON-BOARD CHARGER

Charger Specifications

- Output voltage of 12 Volts
- Output current of 25 amps max
- Input voltage of 110 Volts/ 60 Hz
(220V/50 Hz available)
- Automatic shut off circuit
- Made for Deep Cycle Batteries

⚠ DANGER

Explosive hydrogen gas forms when Batteries are charging. An open flame or spark can cause this gas to explode. Serious personal injury or property damage could occur. Only charge the Batteries in this machine in a well ventilated area.

⚠ WARNING

Before you service a Battery, always wear face protection, protective gloves and protective clothing. Battery acid or battery explosion can cause serious injuries.

⚠ WARNING

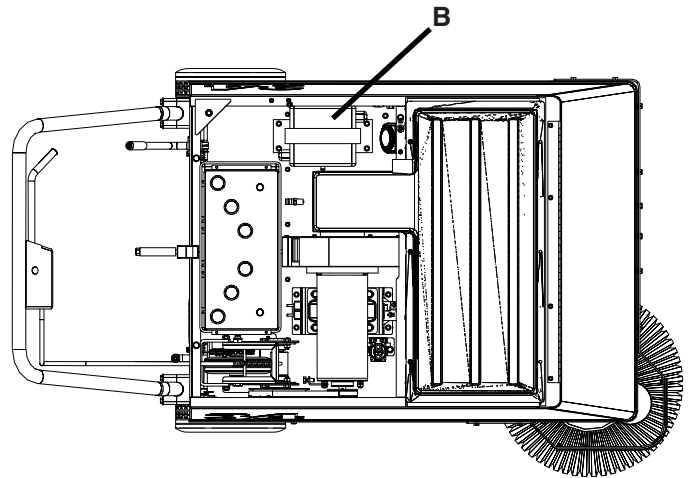
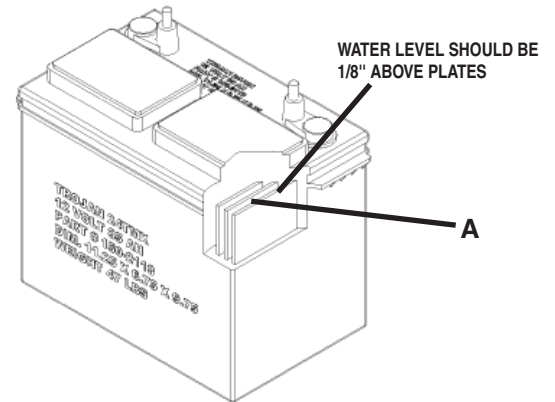
The Batteries in this machine contain sulfuric acid, which causes burns to skin. If battery acid contacts clothing or skin, rinse the effected area with cold water immediately. If battery acid gets on your face or in your eyes, flush the area immediately with cold water and seek medical attention.

⚠ CAUTION

Always use the automatic battery charger provided by the manufacturer of this machine to charge the Batteries of this machine. It is designed to charge the Batteries at the appropriate rate. If you must use a different charger, disconnect the Batteries before charging to avoid damage to the electronic speed controller.

ON-BOARD BATTERY CHARGING:

1. Transport machine to a well ventilated area for charging.
2. Turn the machine off. Open the Machine Hood.
3. Check the water in each Battery **(A)**. Do not charge the machine unless the water is slightly higher than the plates. If needed, add enough distilled water to just slightly cover the plates. Be careful not to over fill. Batteries can overflow during charging. Replace caps before charging.
4. Plug the Charger power cord **(B)** into a grounded standard wall outlet **(SEE BELOW)**.
5. The charger will automatically begin charging and automatically shut off when fully charged.
6. After the Charger has turned off, unplug the Charger from the wall outlet.
7. Recheck the cell level after charging. If needed, add distilled water up to the correct level. Be certain to replace the caps securely and to wipe off the top of the Batteries with a clean cloth.



DESCRIPTION OF LED

Red LED: Battery level low

Yellow LED: Battery at 1/2 charge

Green LED: Battery fully charged

BATTERY CHARGING

Charger Specifications

- Output voltage of 12 Volts
- Output current of 25 amps max (*Optional*)
- Input voltage of 110 Volts/ 60 Hz
(220V/50 Hz available)
- Automatic shut off circuit
- Made for Deep Cycle Batteries

⚠ DANGER

Explosive hydrogen gas forms when Batteries are charging. An open flame or spark can cause this gas to explode. Serious personal injury or property damage could occur. Only charge the Batteries in this machine in a well ventilated area.

⚠ WARNING

Before you service a Battery, always wear face protection, protective gloves and protective clothing. Battery acid or battery explosion can cause serious injuries.

⚠ WARNING

The Batteries in this machine contain sulfuric acid, which causes burns to skin. If battery acid contacts clothing or skin, rinse the effected area with cold water immediately. If battery acid gets on your face or in your eyes, flush the area immediately with cold water and seek medical attention.

⚠ CAUTION

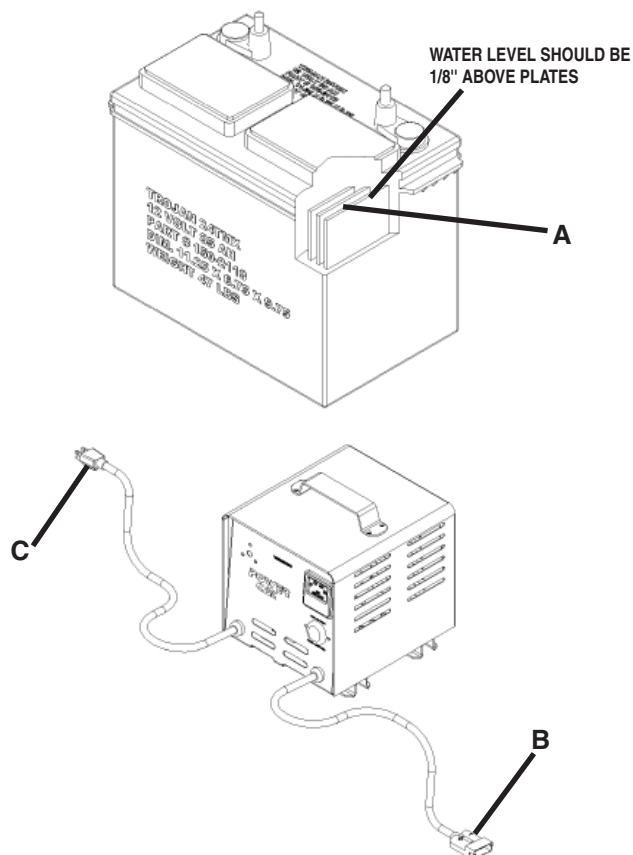
Always use the automatic battery charger provided by the manufacturer of this machine to charge the Batteries of this machine. It is designed to charge the Batteries at the appropriate rate. If you must use a different charger, disconnect the Batteries before charging to avoid damage to the electronic speed controller.

EXTERNAL BATTERY CHARGING (OPTIONAL):

1. Transport machine to a well ventilated area for charging.
2. Turn the machine off. Open the Machine Hood.
3. Check the water in each Battery (**A**). Do not charge the machine unless the water is slightly higher than the plates. If needed, add enough distilled water to just slightly cover the plates. Be careful not to over fill. Batteries can overflow during charging. Replace caps before charging.
4. First, disconnect the batteries by unplugging the yellow 50 Charger plug. Connect the yellow 50 Charger plug

to the machine's Charger (**B**). While the Charger plug is connected, plug the charger power cord into a grounded 110 Volt standard wall outlet (**C**).

5. The Charger will automatically begin charging and automatically shut off when fully charged (*check Battery gauge*).
6. After the Charger has turned off - First, unplug the Charger from the wall outlet. Second, unplug the yellow 50 Charger plug from the Batteries and reconnect the Batteries.
7. Recheck the cell level after charging. If needed, add distilled water up to the correct level. Be certain to replace the caps securely and to wipe off the top of the Batteries with a clean cloth.



BATTERY MAINTENANCE GUIDE

SAFETY:

⚠ DANGER

Explosive hydrogen gas forms when Batteries are charging. An open flame or spark can cause this gas to explode. Serious personal injury or property damage could occur. Only charge the Batteries in this machine in a well ventilated area.

⚠ WARNING

Before you service a Battery, always wear face protection, protective gloves and protective clothing. Battery acid or battery explosion can cause serious injuries.

⚠ WARNING

The Batteries in this machine produce hazardous voltage which can cause electrical shock, burns and/or electrocution. Always disconnect Batteries before servicing this machine.

⚠ WARNING

The Batteries in this machine contain sulfuric acid, which causes burns to skin. If battery acid contacts clothing or skin, rinse the effected area with cold water immediately. If battery acid gets on your face or in your eyes, flush the area immediately with cold water and seek medical attention.

⚠ WARNING

Dress safely. Do not wear rings or metal wrist watches when servicing this machine, as they can cause an electrical short circuit which can cause serious burns.

INSPECTION AND CLEANING:

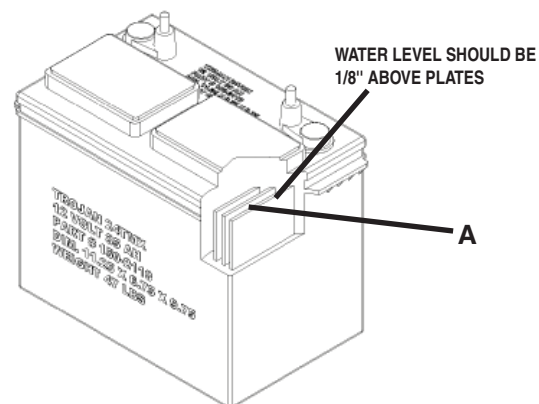
- Keep Batteries clean and dry from residue
- Check that all vent caps are tight
- Use a solution of baking soda and water to clean if acid residue on Batteries or corrosion on the terminals
- Protective spray of petroleum jelly should be applied to terminals to reduce corrosion

STORAGE:

- Batteries should be fully charged prior to and during storage
- Never store discharged Batteries
- Store Batteries in a cool, dry place but never below freezing - Recharge in storage a minimum of every 30 days
- Recharge Batteries before putting them back into service

WATERING:

- Add water, NEVER ACID, to cells (*distilled water recommended*).
- Do not over water
- Before charging the Batteries, only add water if the plates are exposed. Add just enough water to cover the plates, then charge the batteries. Once fully charged, add water to the proper level as indicated below.
- For full charge plus series Batteries add water to the maximum water level indicator (**A**).
- After watering, secure vent caps back on Batteries.



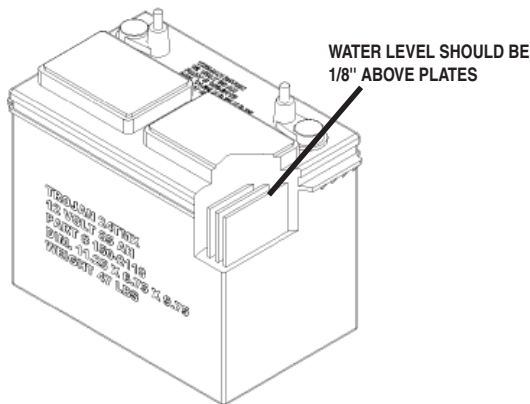
MAINTENANCE

DAILY MAINTENANCE:

1. Remove the clean Brooms. Never use soiled Brooms when cleaning. Replace Brooms when they become worn.
2. Turn Beater Bar for 20 seconds to clean out Filter. Inspect filter.
3. Pull out Hopper to empty and clean before machine storage.
4. Wipe down machine if needed. Use a non-abrasive, non-solvent cleaner or a clean damp cloth.
5. Recharge the Batteries if needed.

WEEKLY MAINTENANCE:

1. Check Battery water level in each cell of the Batteries and fill as needed. Always use distilled water to refill Batteries. Batteries should be filled approximately 3/4" to 1" above the plates. Overfilling will cause the Batteries to leak during charging. The charging process creates gas bubbles inside the Battery, which effectively increases the volume of the electrolyte.
2. Clean Battery tops to prevent corrosion.
3. Flip Brooms.
4. Pull out Hopper to empty and clean before machine storage.



MONTHLY MAINTENANCE:

1. Check Main Broom Jackshaft Belt for wear and tension.
2. Check machine for Vacuum Leaks.
3. Inspect the Dust Curtains and replace if torn or worn.
4. Check to see if Battery cables are tightened. Tighten, if needed, 8-10 ft/lb MAX.
5. Inspect all Cables and Springs.
6. Inspect all Nuts, Bolts, and Fasteners.

YEARLY MAINTENANCE:

Call your local dealer for yearly maintenance.

STORING MACHINE:

1. Be sure to clean the Hopper out completely.

CHECKING BATTERY SPECIFIC GRAVITY:

Use a hydrometer to check the Battery specific gravity. Checking Gravity:

- Hydrometer
- Battery

NOTICE

Do not take readings immediately after adding distilled water. If water and acid are not thoroughly mixed, the reading may not be accurate.

Check the hydrometer against this chart

SPECIFIC GRAVITY @ 80°F (27°C)	BATTERY CONDITION
1.265	100% Charged
1.225	75% Charged
1.190	50% Charged
1.155	25% Charged
1.120	Discharged

NOTICE

If the readings are taken when the battery electrolyte is any temperature other than 80°F(27°C), the reading must be temperature corrected. To find the corrected specific gravity reading when the temperature of the battery electrolyte is other than 80°F(27°C): add (+) to the specific gravity reading 0.004 (4 points), for each 10°F(6°C) above 80°F(27°C). Subtract (-) from the specific reading 0.004 (4 points), for each 10°F(6°C) below 80°F(27°C).

GT PM RECORDS

CUSTOMER INFORMATION

CUSTOMER		EMAIL	
ADDRESS			PHONE
CITY	STATE	ZIP	CONTACT

MACHINE INFORMATION

MODEL #:	SERIAL #:
WORK ORDER#:	HOUR METER (Key):
CHASSIS HOUR METER:	HOUR METER (Traction):
RE-CHARGE COUNTER:	HOUR METER (Scrub):

BATTERY CONDITION	CELL 1	CELL 2	CELL 3	CELL 4	CELL 5	CELL 6
BATTERY 1 HYDROMETER						
BATTERY 1 ELECTROLYTE CLARITY <i>(Clear, Cloudy, Particulate, Dark)</i>						
BATTERY 1 WATER LEVEL <i>(Overfilled, Full, Low, Dry)</i>						
CLEAN BATTERY TOPS. CHECK BATTERY CABLE AND TERMINAL CONDITION.						
NOTES:						

PAD/BRUSH CONDITION

MAIN BROOM FIBER LENGTH	ROTATED BRUSHES		
BROOM DRIVER	GOOD	WORN	NEEDS REPLACEMENT
BROOM DRIVER & IDLER HUBS	GOOD	WORN	NEEDS REPLACEMENT
SIDE BROOM CONDITION	GOOD	WORN	NEEDS REPLACEMENT ROTATED SIDE TO SIDE

CHECK OPERATION AND CONDITION OF:

	IN SPEC	REPAIR	PROBLEM
MAIN POWER SWITCH OR KEY SWITCH			
BATTERY / HOUR METER GAUGE			
BROOM AMP GAUGE			
MAIN BROOM LEVER			
SIDE BROOM LEVER			
FILTER SHAKER			
MAIN BROOM BELTS			
MAIN BROOM MOTOR			
SIDE BROOM OPERATION			
BATTERY CHARGER CONNECTORS			
BATTERY CHARGER			

CLEAN AND / OR LUBRICATE

	IN SPEC	REPAIR	PROBLEM
FILTER (20 SEC W/ SHAKER SWITCH)			
HOPPER			
SIDE BROOM LINKAGE			
REMOVE BROOM & CHECK DRIVERS FOR DEBRIS			

VISUALLY INSPECT

	IN SPEC	REPAIR	PROBLEM
SEAL UNDER FILTER			
HOPPER CURTAIN			
HOPPER SIDE CURTAIN			
MAIN BROOM CURTAIN (REAR)			
SIDE DOOR CURTAIN			

INNER SIDE CURTAIN			
VACUUM HOSE			
FRONT CASTER CONDITION			
REAR WHEELS CONDITION			

COMMENTS

SERVICING DISTRIBUTOR: _____

TECHNICIAN'S NAME: _____ DATE: _____ SIGNATURE: _____

CUSTOMER'S NAME: _____ DATE: _____ SIGNATURE: _____

COMMON WEAR PARTS

CYLINDRICAL BROOMS:

BROOM TYPE	PART #S
Poly	4-401
Nylon	4-401N
Carpet Broom	4-401NN
Poly & Steel	4-401S
Union	4-401U
Union & Steel	4-401US

SIDE BROOMS:

SIDE BROOM TYPE	PART#S
Poly	4-402
Poly & Steel	4-402S

FILTER KITS:

FILTER TYPE	PART#S
Standard Filter Assembly <small>(Includes Tape Seal Kit, Grill, and Filter)</small>	4-500
Standard Filter Kit <small>(Includes Tape Seal Kit and Filter)</small>	4-502D
1 Micron Filter	4-502
0.2 Micron Filter	4-502F
Nomex Filter	4-502N
Filter Tape Seal Kit	4-502K

SEAL KITS:

SEAL KIT	PART#S
Neoprene Seal Set	4-550

BLANK
THIS PAGE WAS INTENTIONALLY LEFT BLANK



1711 South Street
Racine, WI 53404
www.tomcatequip.com
Tel. US: 800-450-9824
Tel. Int: (001) 262-681-6470